

## Mating harness

| Model     | Harness model # | Contents   | Connector             |                       |
|-----------|-----------------|--|-----------------------|-----------------------|
|           |                 |  | SCHA                  | SCDA                  |
| SC Series | H-SN-27         | Harness for using remote signal ON/OFF function                | CN1~CN4               | CN1,CN2               |
|           | H-SN-28         | Harness for using MAS,SLV,CTB,PCONT,COM terminal               | CN5,CN6               | CN3,CN4               |
|           | H-SN-29         | Harness for using system ON/OFF function                       | CN7,CN8               | CN5,CN6               |
|           | H-SN-30         | Harness for using alarm / output voltage monitor terminal      | CN9,CN10              | CN7,CN8               |
|           | H-OU-35         | Output harness   | Output connector 1~20 | Output connector 1~14 |
|           | H-PA-7          | Harness for using parallel connection (SLAVE unit-SLAVE unit)  | CN5,CN6               | CN3,CN4               |
|           | H-PA-8          | Harness for using parallel connection (MASTER unit-SLAVE unit) | CN5,CN6               | CN3,CN4               |

●Model number  
**H-SN-27**

●Type

●Wire

| Pin # | Wire   | AWG | Color  | Length $l$ (mm) |
|-------|--------|-----|--------|-----------------|
| A 1   | UL1007 | 22  | brown  | 2000            |
| B 1   | UL1007 | 22  | green  | 2000            |
| A 2   | UL1007 | 22  | red    | 2000            |
| B 2   | UL1007 | 22  | blue   | 2000            |
| A 3   | UL1007 | 22  | orange | 2000            |
| B 3   | UL1007 | 22  | purple | 2000            |
| A 4   | UL1007 | 22  | yellow | 2000            |
| B 4   | UL1007 | 22  | gray   | 2000            |

Housing : 1-1318119-4 (Tyco Electronics AMP)  
Pin : 1318105-1 or 1318107-1 (Tyco Electronics AMP)  
Weight : 100g max

●Model number  
**H-SN-28**

●Type

●Wire

| Pin # | Wire   | AWG | Color  | Length $l$ (mm) |
|-------|--------|-----|--------|-----------------|
| A 1   | UL1007 | 22  | brown  | 2000            |
| B 1   | -      | -   | -      | -               |
| A 2   | UL1007 | 22  | red    | 2000            |
| B 2   | -      | -   | -      | -               |
| A 3   | UL1007 | 22  | orange | 2000            |
| B 3   | -      | -   | -      | -               |
| A 4   | UL1007 | 22  | yellow | 2000            |
| B 4   | -      | -   | -      | -               |
| A 5   | UL1007 | 22  | green  | 2000            |
| B 5   | -      | -   | -      | -               |
| A 6   | -      | -   | -      | -               |
| B 6   | -      | -   | -      | -               |

Housing : 1-1318118-6 (Tyco Electronics AMP)  
Pin : 1318105-1 or 1318107-1 (Tyco Electronics AMP)  
Weight : 65g max

●Model number  
**H-SN-29**

●Type

●Wire

| Pin # | Wire   | AWG | Color  | Length $l$ (mm) |
|-------|--------|-----|--------|-----------------|
| A 1   | UL1007 | 22  | brown  | 2000            |
| B 1   | -      | -   | -      | -               |
| A 2   | -      | -   | -      | -               |
| B 2   | -      | -   | -      | -               |
| A 3   | UL1007 | 22  | orange | 2000            |
| B 3   | -      | -   | -      | -               |

Housing : 1-1318119-3 (Tyco Electronics AMP)  
Pin : 1318105-1 or 1318107-1 (Tyco Electronics AMP)  
Weight : 25g max

●Model number  
**H-SN-30**

●Type

●Wire

| Pin # | Wire   | AWG | Color  | Length $l$ (mm) |
|-------|--------|-----|--------|-----------------|
| A 1   | UL1007 | 22  | brown  | 2000            |
| B 1   | -      | -   | -      | -               |
| A 2   | UL1007 | 22  | red    | 2000            |
| B 2   | UL1007 | 22  | green  | 2000            |
| A 3   | UL1007 | 22  | orange | 2000            |
| B 3   | -      | -   | -      | -               |

Housing : 2-1318119-3 (Tyco Electronics AMP)  
Pin : 1318105-1 or 1318107-1 (Tyco Electronics AMP)  
Weight : 50g max

●Model number  
**H-OU-35**

●Type

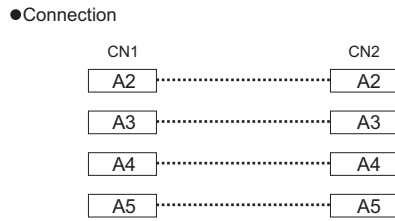
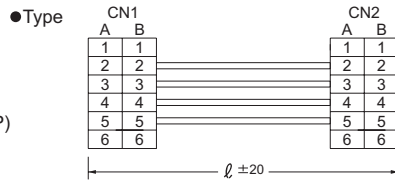
●Wire

| Pin # | Wire   | AWG | Color | Length $l$ (mm) |
|-------|--------|-----|-------|-----------------|
| 1     | UL1015 | 10  | red   | 2000            |
| 2     | UL1015 | 10  | black | 2000            |

Housing : 1-179958-2 (Tyco Electronics AMP)  
Pin : 179956-2 or 316041-2 (Tyco Electronics AMP)  
Weight : 6g max

●Model number  
**H-PA-7**

Housing : 1-1318118-6 (Tyco Electronics AMP)  
Pin : 1318105-1 or 1318107-1  
(Tyco Electronics AMP)  
Weight : 20g max

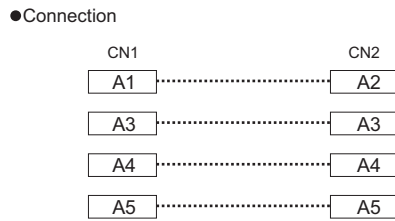
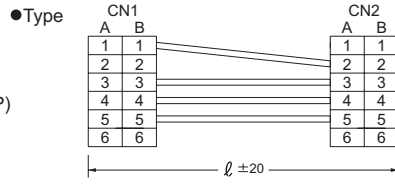


●Wire

|     | Pin # | Wire   | AWG | Color  | Length $l$ (mm) |
|-----|-------|--------|-----|--------|-----------------|
| CN1 | A 1   | -      | -   | -      | -               |
|     | B 1   | -      | -   | -      | -               |
|     | A 2   | UL1007 | 22  | red    | 400             |
|     | B 2   | -      | -   | -      | -               |
|     | A 3   | UL1007 | 22  | orange | 400             |
|     | B 3   | -      | -   | -      | -               |
|     | A 4   | UL1007 | 22  | yellow | 400             |
|     | B 4   | -      | -   | -      | -               |
|     | A 5   | UL1007 | 22  | green  | 400             |
|     | B 5   | -      | -   | -      | -               |
|     | A 6   | -      | -   | -      | -               |
|     | B 6   | -      | -   | -      | -               |
| CN2 | A 1   | -      | -   | -      | -               |
|     | B 1   | -      | -   | -      | -               |
|     | A 2   | UL1007 | 22  | red    | 400             |
|     | B 2   | -      | -   | -      | -               |
|     | A 3   | UL1007 | 22  | orange | 400             |
|     | B 3   | -      | -   | -      | -               |
|     | A 4   | UL1007 | 22  | yellow | 400             |
|     | B 4   | -      | -   | -      | -               |
|     | A 5   | UL1007 | 22  | green  | 400             |
|     | B 5   | -      | -   | -      | -               |
|     | A 6   | -      | -   | -      | -               |
|     | B 6   | -      | -   | -      | -               |

●Model number  
**H-PA-8**

Housing : 1-1318118-6 (Tyco Electronics AMP)  
Pin : 1318105-1 or 1318107-1  
(Tyco Electronics AMP)  
Weight : 20g max



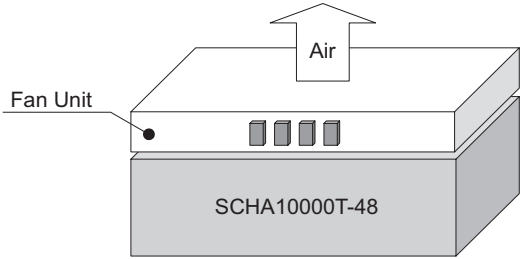
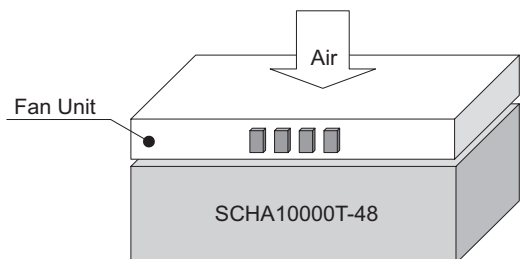
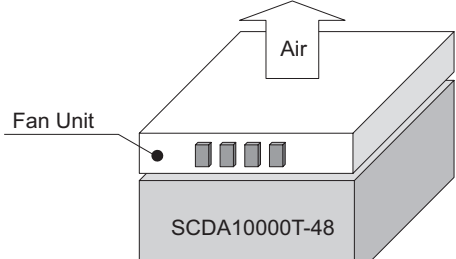
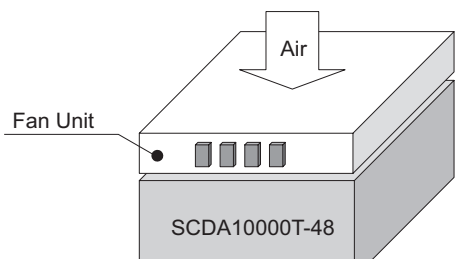
●Wire

|     | Pin # | Wire   | AWG | Color  | Length $l$ (mm) |
|-----|-------|--------|-----|--------|-----------------|
| CN1 | A 1   | UL1007 | 22  | brown  | 400             |
|     | B 1   | -      | -   | -      | -               |
|     | A 2   | -      | -   | -      | -               |
|     | B 2   | -      | -   | -      | -               |
|     | A 3   | UL1007 | 22  | orange | 400             |
|     | B 3   | -      | -   | -      | -               |
|     | A 4   | UL1007 | 22  | yellow | 400             |
|     | B 4   | -      | -   | -      | -               |
|     | A 5   | UL1007 | 22  | green  | 400             |
|     | B 5   | -      | -   | -      | -               |
|     | A 6   | -      | -   | -      | -               |
|     | B 6   | -      | -   | -      | -               |
| CN2 | A 1   | -      | -   | -      | -               |
|     | B 1   | -      | -   | -      | -               |
|     | A 2   | UL1007 | 22  | brown  | 400             |
|     | B 2   | -      | -   | -      | -               |
|     | A 3   | UL1007 | 22  | orange | 400             |
|     | B 3   | -      | -   | -      | -               |
|     | A 4   | UL1007 | 22  | yellow | 400             |
|     | B 4   | -      | -   | -      | -               |
|     | A 5   | UL1007 | 22  | green  | 400             |
|     | B 5   | -      | -   | -      | -               |
|     | A 6   | -      | -   | -      | -               |
|     | B 6   | -      | -   | -      | -               |

**Fan unit**

**SC Series**

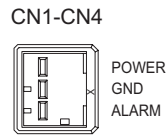
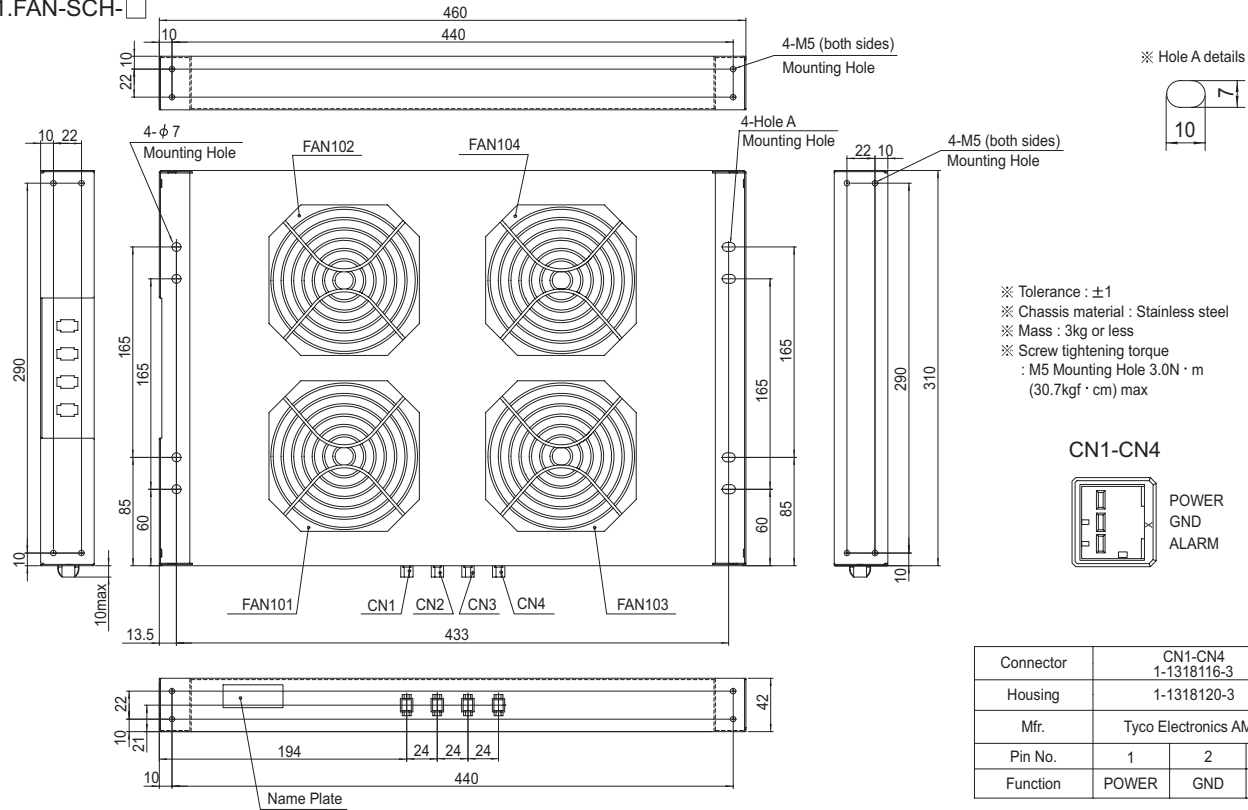
★Several kind optional fan unit are prepared for SC series.  
 This fan unit is used to distribute sufficient air for cooling single SC unit.

| Fan unit type | Matching model | External   |
|---------------|----------------|--|
| FAN-SCH-1     | SCHA10000T-48  |    |
| FAN-SCH-2     | SCHA10000T-48  |    |
| FAN-SCD-1     | SCDA10000T-48  |  |
| FAN-SCD-2     | SCDA10000T-48  |  |

- ★ 1 Fan is delicate component, against impact stress such as throwing the unit, or drop the unit, careful handling is required to avoid failure.
- ★ 2 Please make sure there is not loose connection and cramping the harness wire between chassis.

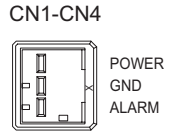
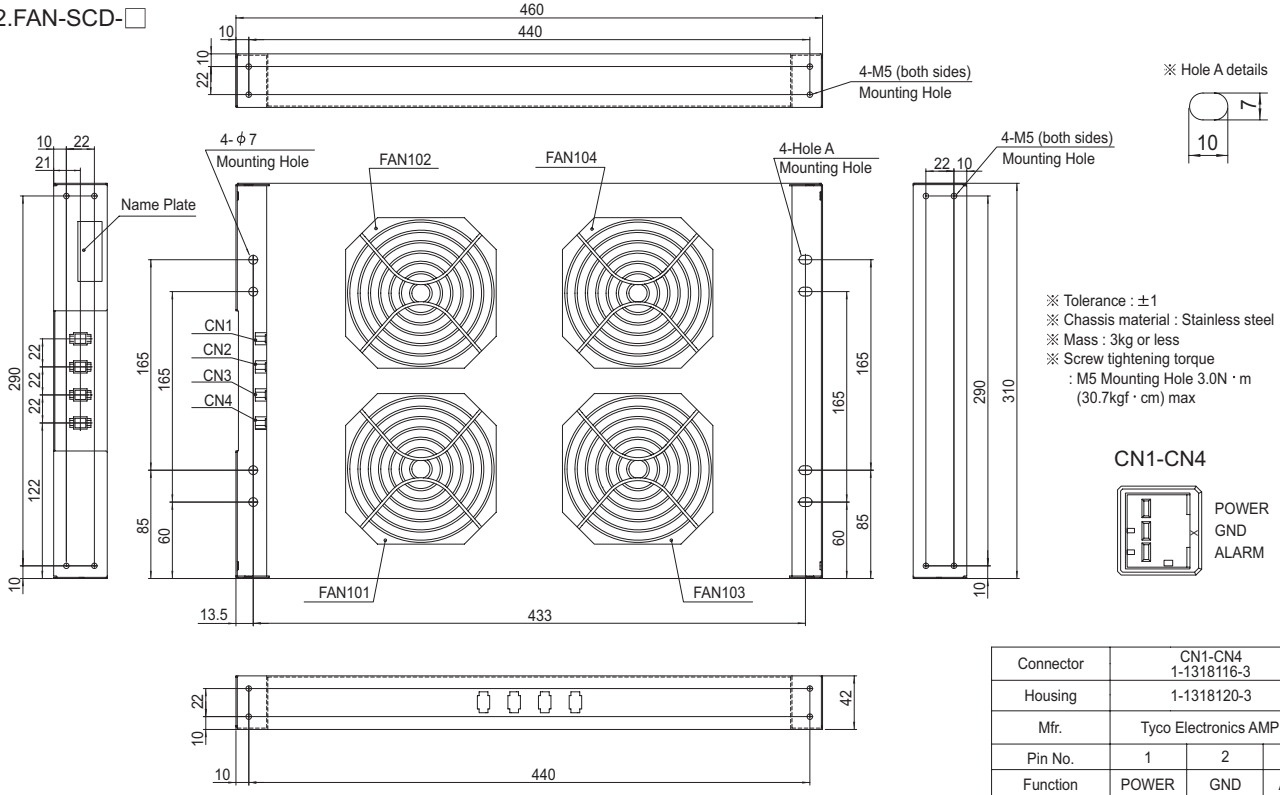
# 1 External view

1.FAN-SCH-□



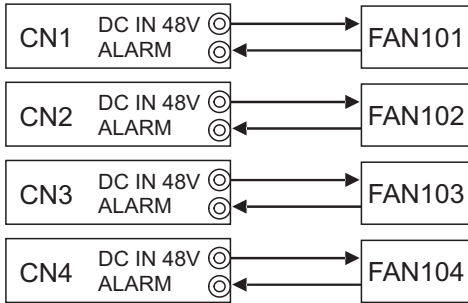
|           |                        |     |       |
|-----------|------------------------|-----|-------|
| Connector | CN1-CN4<br>1-1318116-3 |     |       |
| Housing   | 1-1318120-3            |     |       |
| Mfr.      | Tyco Electronics AMP   |     |       |
| Pin No.   | 1                      | 2   | 3     |
| Function  | POWER                  | GND | ALARM |

2.FAN-SCD-□



|           |                        |     |       |
|-----------|------------------------|-----|-------|
| Connector | CN1-CN4<br>1-1318116-3 |     |       |
| Housing   | 1-1318120-3            |     |       |
| Mfr.      | Tyco Electronics AMP   |     |       |
| Pin No.   | 1                      | 2   | 3     |
| Function  | POWER                  | GND | ALARM |

## 2 Block diagram



## 3 Specifications

■ Specifications is on Table 3.1.

Table 3.1 Specifications

| ITEM             | SPECIFICATIONS              |
|------------------|-----------------------------|
| INPUT VOLTAGE[V] | DC46.0-50.0 ※               |
| INPUT CURRENT[A] | 0.23/Connector (Total 0.92) |
| OPERATING TENP   | 0 to +70°C                  |

※ You may use the output voltage of SC series

## 4 Fan alarm

■ Individual fan has built-in alarm function detecting the operation. Fan alarm specifications are shown in Table4.1. A connection for example is shown in Fig.4.1.

Table 4.1 Fan sensor specifications

| ITEM               | SPECIFICATIONS        |
|--------------------|-----------------------|
| OUTPUT             | open collector output |
| PULL UP VOLTAGE[V] | 60max ※               |
| SINK CURRENT[ma]   | 5max                  |

※ You can use output voltage of the SC series

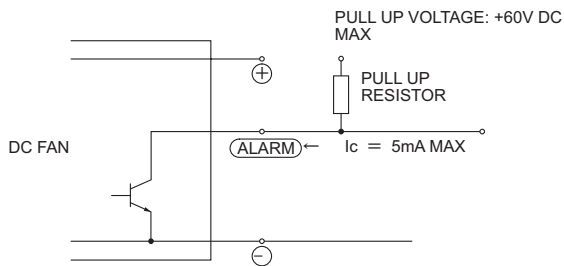


Fig.4.1 Fan alarm connection example

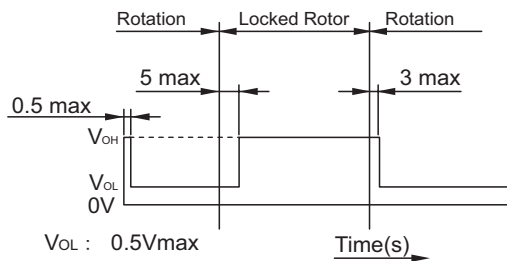


Fig.4.2 Fan alarm output wave form

## 5 Life time expectancy of the fan unit

■ Life time expectancy of the fan unit (R(t)90%) is shown in Fig.5.1.

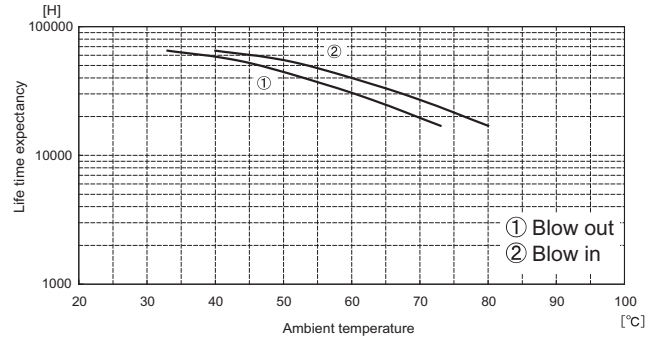
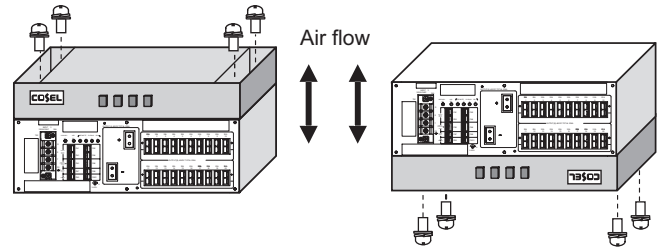


Fig.5.1 Life expectancy of fan unit

## 6 Installation method

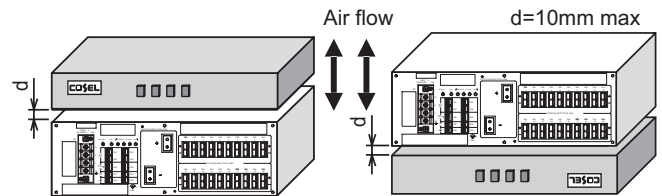
■ The fan unit is screw-mountable either upside or downside of SC unit.

(1) Mounting instruction by using screws to SC series.



(2) Rack-mounting

The fan unit is needed 10mm or less clearance against SC unit chassis.



## 7 Life time expectancy of SC series

■ Life time expectancy with optional fan unit : 10 years

## 8 Operating Environment

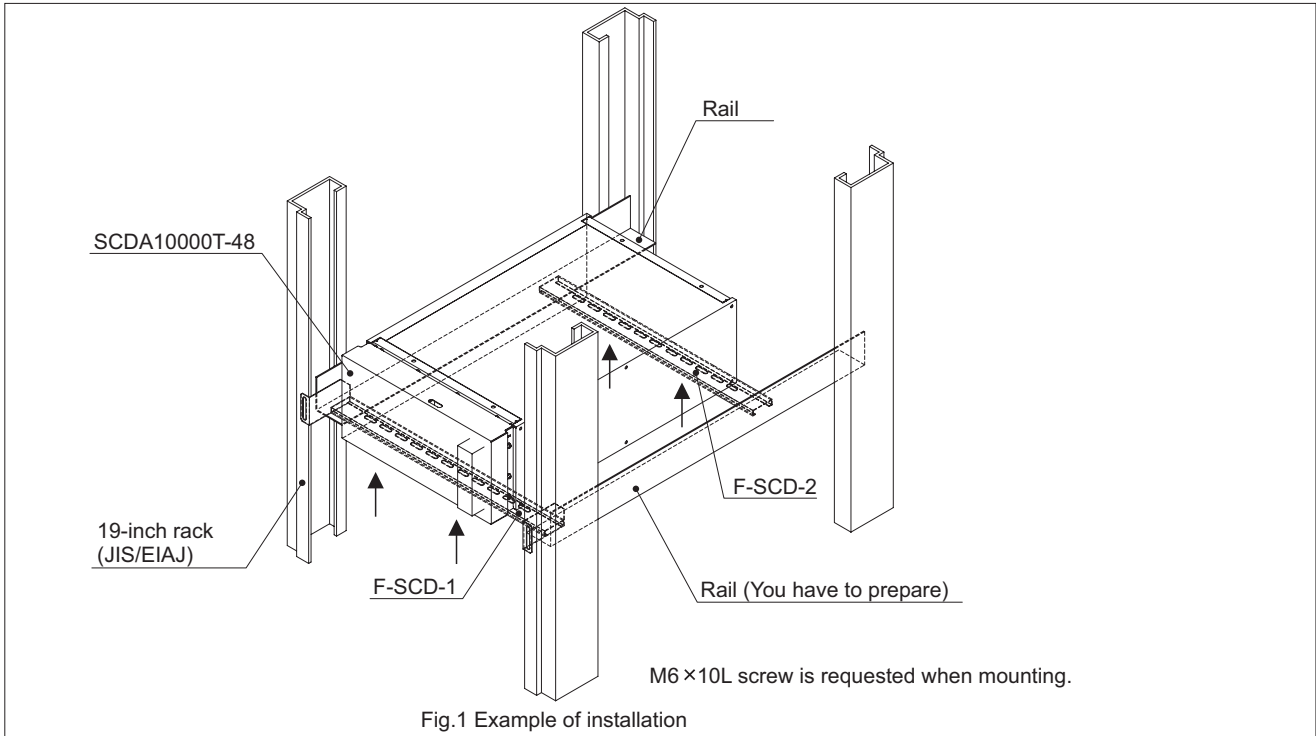
■ Oil and other chemical liquid splashing environment may cause the performance degradation and failure.

# SC Series Attachment

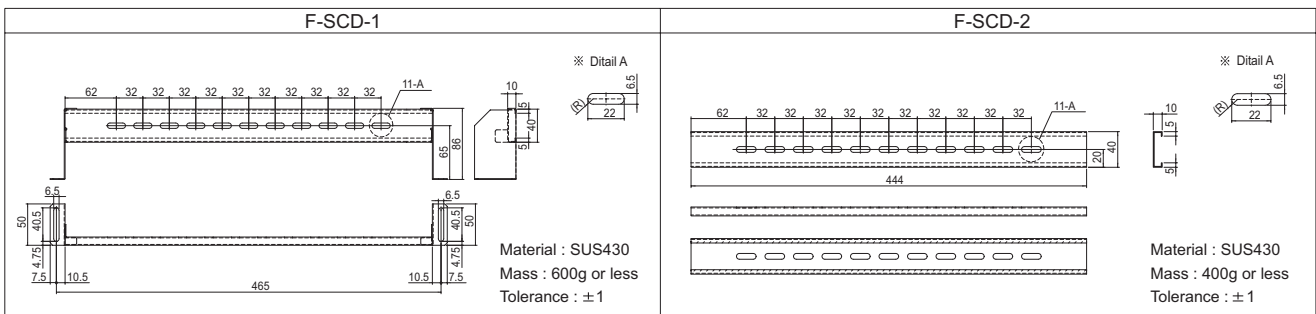
# SC Series

| Plate model | Applicable to model | Note                            |
|-------------|---------------------|---------------------------------|
| F-SCD-1     | SCDA10000T-48       | For 19-inch rack (bracket type) |
| F-SCD-2     | SCDA10000T-48       | For 19-inch rack                |

## Example of installation



## External view

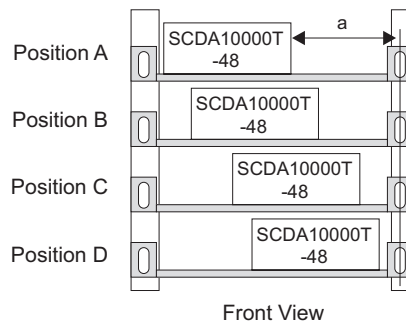


## Mounting position

4 mounting position is available.  
Mounting position and space distance a are on Table 1.

Table 1 position and space distance (mm)

| Position | Distance a |
|----------|------------|
| A        | 115-118    |
| B        | 83-93      |
| C        | 51-61      |
| D        | 19-29      |



## Others

- 19-inch rails are required for initial preparation.
- 2 units or more stack is not recommended mounting with F-SCD-1 and F-SCD-2.



## Стандарт Электрон Связь

Мы молодая и активно развивающаяся компания в области поставок электронных компонентов. Мы поставляем электронные компоненты отечественного и импортного производства напрямую от производителей и с крупнейших складов мира.

Благодаря сотрудничеству с мировыми поставщиками мы осуществляем комплексные и плановые поставки широчайшего спектра электронных компонентов.

Собственная эффективная логистика и склад в обеспечивает надежную поставку продукции в точно указанные сроки по всей России.

Мы осуществляем техническую поддержку нашим клиентам и предпродажную проверку качества продукции. На все поставляемые продукты мы предоставляем гарантию .

Осуществляем поставки продукции под контролем ВП МО РФ на предприятия военно-промышленного комплекса России , а также работаем в рамках 275 ФЗ с открытием отдельных счетов в уполномоченном банке. Система менеджмента качества компании соответствует требованиям ГОСТ ISO 9001.

Минимальные сроки поставки, гибкие цены, неограниченный ассортимент и индивидуальный подход к клиентам являются основой для выстраивания долгосрочного и эффективного сотрудничества с предприятиями радиоэлектронной промышленности, предприятиями ВПК и научно-исследовательскими институтами России.

С нами вы становитесь еще успешнее!

### Наши контакты:

**Телефон:** +7 812 627 14 35

**Электронная почта:** [sales@st-electron.ru](mailto:sales@st-electron.ru)

**Адрес:** 198099, Санкт-Петербург,  
Промышленная ул, дом № 19, литера Н,  
помещение 100-Н Офис 331