

## RSAM-5600

### Remote Service Analyzer Module



#### Key Features

- **Remote, Web Browser interface - Saves time daily by eliminating driving to hubs and headends**
- **Quick comparison of field to headend results - isolates network problems, determines the source of errors and reduces unnecessary truck rolls**
- **Instant access to remote sites - speeds up analysis for headend and field technicians**
- **Daily Digital Quick Check of system performance at the press of a button - ensures revenue stream by proactively testing and analyzing the VOD, HSD, and analog physical layer**
- **Designed and priced to meet the needs of remote hub sites – can affordably be deployed in all remote hubs**
- **Continuous monitoring with SNMP threshold alarming integrates with OSS and NMS - helps find and fix problems before customers complain**

With the rapid deployment of services such as VOD, high-speed data, and VoIP, daily system checks are often times overlooked. Additionally, with unmanned hubs and headends, problems in the field are often left unresolved or unnecessarily delayed while technicians try to determine the origin of the problem.

Enter the JDSU RSAM-5600 Remote Service Analyzer Module — providing remote analysis of forward path digital and analog signals and specifically designed for deployment in remote, un-manned hub sites or headend locations. In conjunction with JDSU's RAS-100 Remote Analysis Software, the RSAM-5600 provides remote analysis and views of channel performance to the field, headend, and NOC technicians using JDSU's DSAM workforce automation (WFA) browser or any standard Internet browser. With the performance and price needs for deployment in multiple remote hub sites or headend locations the RSAM-5600 can eliminate technicians driving to various sites to verify the status and integrity of services. Better still network problems can be quickly resolved and closed with technicians focusing on deploying the new services — faster.

The RSAM-5600 Remote Service Analyzer Module also complements the wealth of JDSU's existing cable networks solutions with the SDA forward and reverse sweep, PathTrak™ Reverse Path Monitoring, and DTS MPEG analysis.

**More Efficient Technicians**

With the RSAM-5600, technicians can focus their efforts on the business priorities. JDSU's RSAM-5600 allows technicians to quickly analyze unmanned hub and headend sites remotely. A quick check of the RSAM data can identify and locate the problem eliminating wasted time driving to remote sites to check system levels. Additionally, isolating network problems can easily be accomplished quickly from the field by providing technicians the ability to view the quality of the originating source.

**Solve Problems before they occur**

Proactively analyze multiple downstream channels from your PC identifying potential problems BEFORE they happen ensuring customer satisfaction and keeping your revenue streams flowing. Quickly test and report systems performance against multiple limits sets for predictive analysis. The RSAM-5600 will monitor system performance and trigger SNMP events upon critical threshold violations. SNMP event notification from the RSAM can even be integrated into your existing OSS or NMS systems. Technicians can then remotely diagnose the problem from their web browser or be dispatched to correct a potential failure.

Whether you use the DSAM Browser or a standard Internet web browser, instant access to the RSAM data and proactive analysis ensures a higher level of customer service. The ability to view originating source quality in the field increases your time to resolution and increases your customer satisfaction.

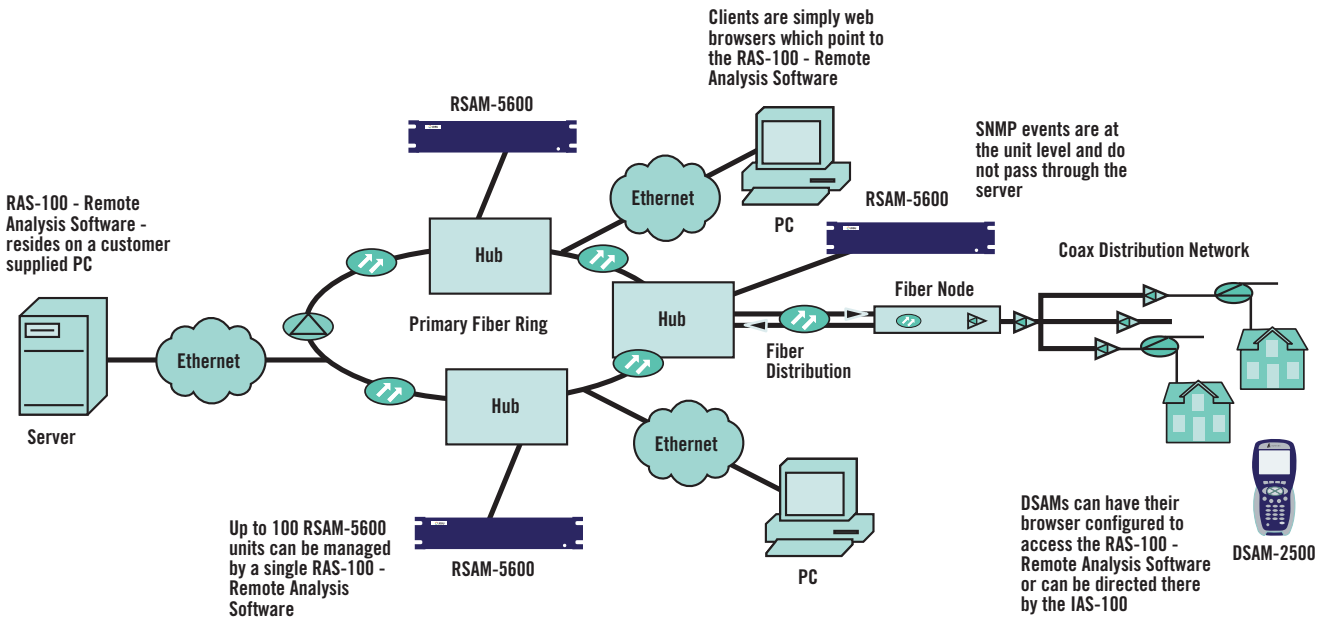


Figure 1: Typical installation

3

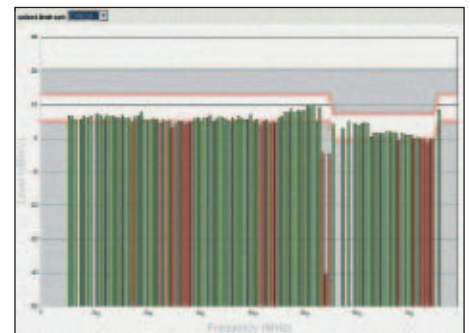
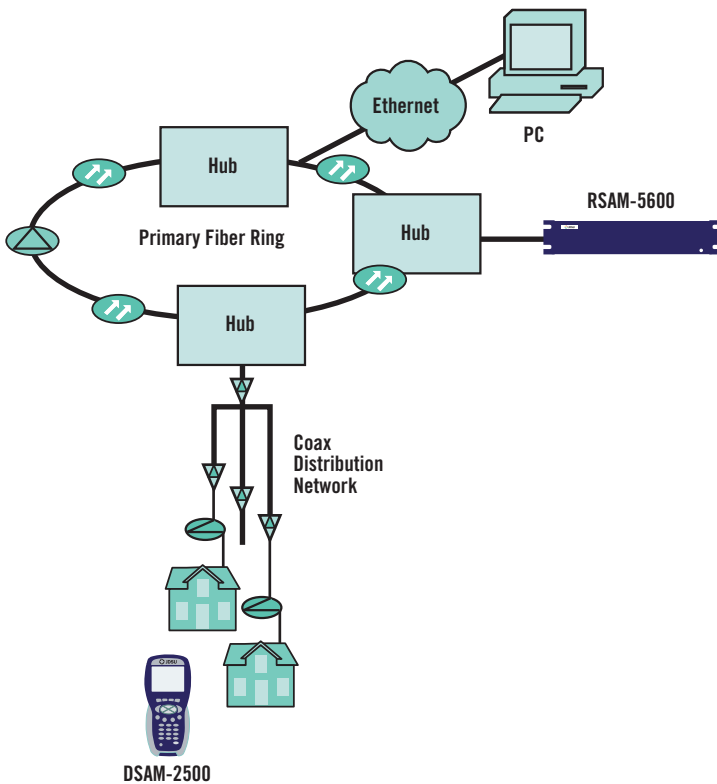
**Integrated solution**

The RSAM is configured using the JDSU FDM-100 Field Data Management software. Easily set-up, maintain and update channel plans and limits. The FDM-100 interface is common between DSAM field meters and the RSAM-5600 and even provides asset management of your RSAM-5600 deployments.

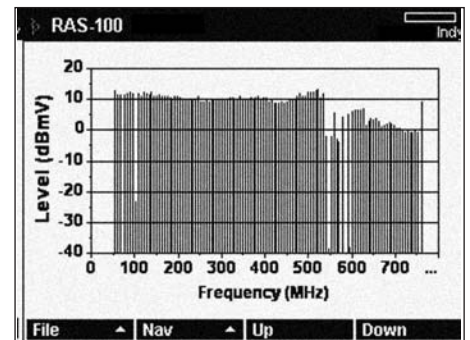
Accessing RSAM measurement is accomplished via the RAS-100 Remote Analysis Software. The RAS-100 provides a browser compatible interface via a web server which services measurement requests to individual RSAM units. There are no clients to purchase or install in your system. View the results 24/7 from anywhere—including over an RF network on the DSAM. The RAS-100 Remote Analysis Software responds to requests and formats the web page appropriately for the DSAM WFA web browser or a standard Internet web browser.

**On Demand Reporting Full Scan**

From a PC web browser, a technician can quickly analyze system levels using the Full Scan report. This report graphically depicts the analog video levels and average digital power levels across the channel lineup. The user can then quickly compare the levels to the 4 different thresholds to determine the systems health. From the field, a user equipped with a DSAM with the WFA Browser option can also remotely view the full scan.



Remote view of Scan Graph on PC Internet Browser



Remote view of Scan Graph on a DSAM

Figure 2: Remote service analysis

4

**Test All Channels**

Eliminate driving to remote hubsites to perform system checks. With the all channels report, detailed analysis of system performance is just one mouse click away. The All Channels Report provides channel by channel details including Video level, Audio Level, delta V/A, digital power level, MER, and compares the results against four user defined limit sets. The reports are presented in a tabular format that can then be printed for recording the remote systems performance.

**Single Channel**

In depth analysis and detailed troubleshooting of individual channels with the Single Channel Report provides measurement results on a per channel basis. Identify performance issues on digital channels such as average power level, MER, and BER. The user interface provides quick graphical feedback of the pass/fail status of the test. Access to single channel test is also available in the field using the DSAM WFA-Browser option allowing field technicians to determine if the problem is from the source or caused by network conditions without calling a headend technician.

**Performance Monitoring and SNMP Events**

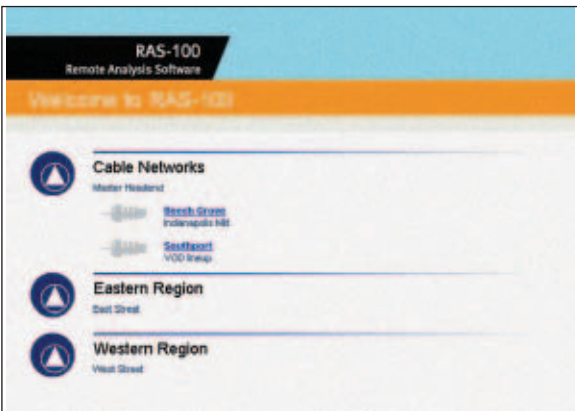
The RSAM-5600 will be continuously performing the All Channels Test in the background regardless of a users request. While performing the test, the RSAM will compare the measurements against the “critical” limit set. Using SNMP traps, the RSAM will send notification of events when measurements violate the limit thresholds. The SNMP events are generated at the RSAM and can be filtered and consolidated using an OSS or network management system.



Single Channel Report of a digital channel

Channel	Type	Level	Frequency (MHz)	Video Level (dBmV)	Audio Level (dBmV)	Delta V/A (dB)
2	TV	SDN1	69.250	8.07	-8.91	16.72
2	TV	SDN.2.0	69.250	8.07	-9.38	15.00
4	TV	SDN.2.1	67.250	8.18	-7.88	15.76
4	TV	SDN.2.2	67.250	8.17	-8.38	14.80
8	TV	ZBN	69.250	8.04	-7.91	15.62
8	TV	SDN.2.3	67.250	8.08	-7.28	15.76
8	TV	SDN.2.4	67.250	8.08	-7.68	15.00
16	TV	SDN.2.5	109.250	8.08	-8.11	15.69
16	TV	SDN.2.6	115.250	8.11	-8.93	16.04
16	TV	SDN.2.7	131.250	8.14	-7.00	15.39
16	TV	SDN.2.8	137.250	8.18	-8.47	16.69
16	TV	SDN	133.250	8.18	-8.38	16.67
16	TV	SDN.2.9	139.250	8.08	-8.46	16.67
16	TV	SDN.2.10	145.250	8.08	-7.78	15.44
16	TV	SDN.2.11	161.250	8.01	-8.18	16.79
16	TV	SDN.2.12	167.250	8.18	-8.28	16.69
22	TV	SDN.2.13	163.250	8.07	-8.81	16.16
22	TV	SDN.2.14	169.250	8.21	-8.13	14.34
22	TV	SDN.2.15	175.250	8.08	-8.13	15.35

All Channels Report of analog channels



Custom build hierarchies to fit your network



On Demand Report from remote sites

5

**Specifications (preliminary)**

**Frequency**

Range	4 to 1,000 MHz
Accuracy	±10 ppm at 77°F (25°C)
Tuning resolution	Analog 10 KHz Digital 50 KHz

Channel bandwidth	RSAM-5600A 8 MHz RSAM-5600B 6 MHz
-------------------	--------------------------------------

**Level measurement, analog**

Signal types	CW, video and audio (NTSC, PAL, and SECAM)
Range	-40 to +60 dBmV(1)
Resolution	0.1 dB
Resolution bandwidth	330 KHz
Accuracy(2)	±1.5 dB typical @ 25°C

**Level measurement, digital**

Modulation types	QPSK, QAM (DVB/ACTS)
Range	-40 to +60 dBmV(1)
Resolution	0.1 dB
Resolution bandwidth	330 kHz
Accuracy(2)	±2.0 dB typical @ 25°C

**Downstream QAM demodulation**

Modulation type	64 and 256 QAM, ITU-T J.83 Annex A, B or C (selectable)
Input range (lock range)	-15 to +50 dBmV total integrated power(3) from 55 to 1000 MHz
BER(4)	Pre- and Post-FEC 10 <sup>-4</sup> to 10 <sup>-9</sup>

MER(4)	Range 64 QAM: 21 to 35 dB Accuracy ±2 dB (typical) Range 256 QAM: 28 to 35 dB Accuracy ±2 dB (typical)
EVM(4)	Range 64 QAM: 1.2% to 5.8% Accuracy ±0.5% (1.2% to 2.0%) ±1.0% (2.1% to 4.0%) ±1.4% (4.1% to 5.8%) Range 256 QAM: 1.1% to 2.4% Accuracy ±0.6%

Symbol rate	Annex A, 5.057 to 6.952 Msps for 64 and 256 QAM Annex B, 5.057 Msps for 64 QAM and 5.361 Msps for 256 QAM Annex C, 5.274 Msps for 64 QAM and 5.361 Msps for 256 QAM
-------------	---

**Standards compliance**

Shock and vibration	IEC 60068
Drop	IEC 61010
Handle stress	IEC 61010
Safety – emissions	EN 55022
Safety – immunity	EN 61000

**Interfaces**

RF	75 ohm, F81 or BNC option Max. sustained voltage 100 VAC, 140 VDC
RS232	Standard via DB9
Ethernet	RJ45, 10 base T, TCP/IP and UDP supported
AUX	TTL compatible output for controlling accessories

**General**

Dimensions	19 x 13.5 x 3.5 in ( 48.3 x 34.3 x 8.9 cm)
Weight	7 lb 7 oz (3.4 kg)
Operating temperature range	32 to 120°F; 0 to +50°C
Storage temperature range	0 to 120°F; -20 to +50°C
Power supply input	47-63 Hz, ~110VA, 100-265 VAC

- (1) Typical, detectable range
- (2) Accuracy for levels between -20 to 60 dBmV  
Additional uncertainty ±0.5 dB across -20°C to 50°C  
Additional uncertainty ±1.0 dB from 4 MHz to 15 MHz
- (3) At 64 QAM
- (4) Accuracy and behavior from 100 MHz to 1000 MHz for levels between -5 to 50 dBmV (typical)

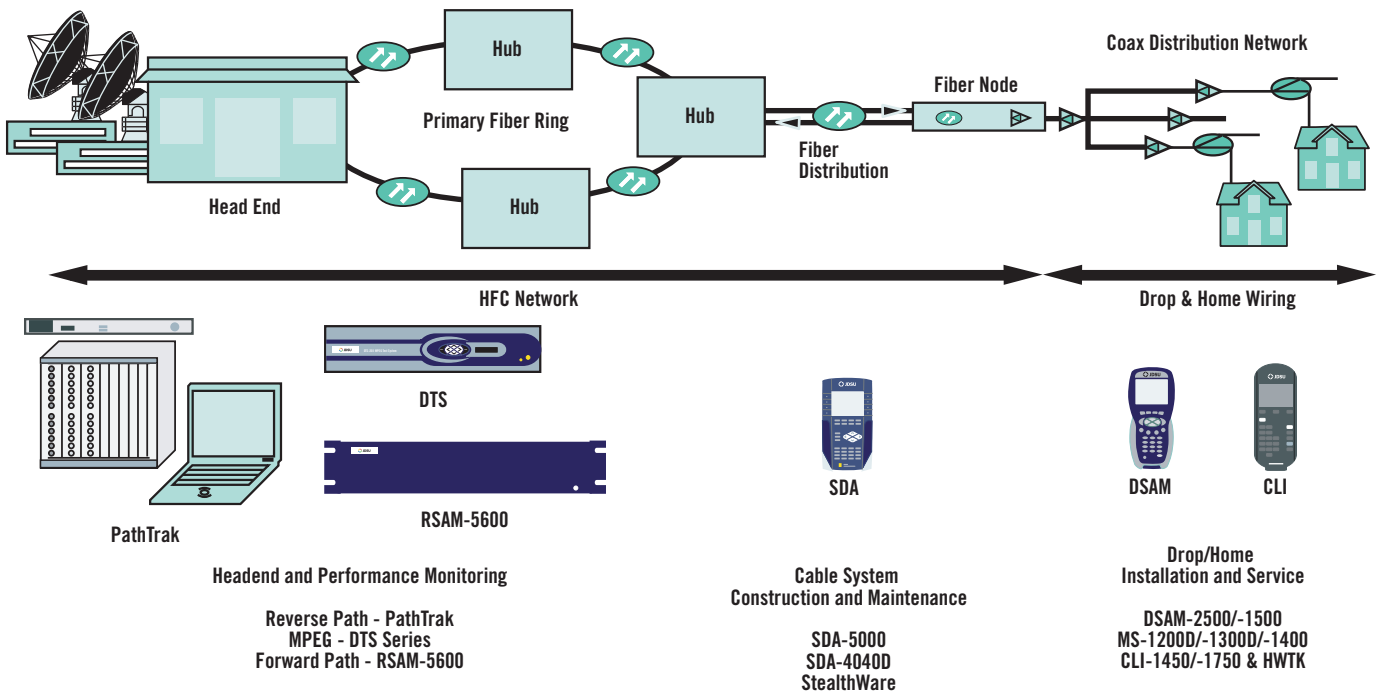


Figure 3: RSAM - Complements the cable solution

---

**Ordering Info**


---

<b>Models</b>	<b>Part number</b>	<b>Description</b>
RSAM-5600A	1010-00-0892	Remote Service Analyzer Module, 4 to 1000 MHz, 8 MHz channel spacing
RSAM-5600B	1010-00-0893	Remote Service Analyzer Module, 4 to 1000 MHz, 6 MHz channel spacing
RAS-100	1010-00-0891	JDSU RAS-100 Remote Analysis Software, PC Based Web Server for controlling and viewing Remote RSAM-5600 measurements. Includes one copy of FDM-100 for configuring and managing RSAM's One License controls up to 100 RSAM-5600 units.
<b>Optional</b>		
BNC-connection	1019-00-1455	Substitute 75-ohm BNC connection
IAS-100	1010-00-0878	IAS-100 Instrument Application Software, a TechSync solution. Works in conjunction with the DSAM WFA browser option.

All statements, technical information and recommendations related to the products herein are based upon information believed to be reliable or accurate. However, the accuracy or completeness thereof is not guaranteed, and no responsibility is assumed for any inaccuracies. The user assumes all risks and liability whatsoever in connection with the use of a product or its application. JDSU reserves the right to change at any time without notice the design, specifications, function, fit or form of its products described herein, including withdrawal at any time of a product offered for sale herein. JDSU makes no representations that the products herein are free from any intellectual property claims of others. Please contact JDSU for more information. JDSU and the JDSU logo are trademarks of JDS Uniphase Corporation. Other trademarks are the property of their respective holders. ©2005 JDS Uniphase Corporation. All rights reserved. 10143166 500 0905 RSAM5600.DS.CAB.TM.AE

**Test & Measurement Regional Sales**

<b>NORTH AMERICA</b> TEL: 1 866 228 3762 FAX: +1 301 353 9216	<b>LATIN AMERICA</b> TEL: +55 11 5503 3800 FAX: +55 11 5505 1598	<b>ASIA PACIFIC</b> TEL: +852 2892 0990 FAX: +852 2892 0770	<b>EMEA</b> TEL: +49 7121 86 2222 FAX: +49 7121 86 1222	<b>WEBSITE: <a href="http://www.jdsu.com">www.jdsu.com</a></b>
---	--	---	---	--



## Стандарт Электрон Связь

Мы молодая и активно развивающаяся компания в области поставок электронных компонентов. Мы поставляем электронные компоненты отечественного и импортного производства напрямую от производителей и с крупнейших складов мира.

Благодаря сотрудничеству с мировыми поставщиками мы осуществляем комплексные и плановые поставки широчайшего спектра электронных компонентов.

Собственная эффективная логистика и склад в обеспечивает надежную поставку продукции в точно указанные сроки по всей России.

Мы осуществляем техническую поддержку нашим клиентам и предпродажную проверку качества продукции. На все поставляемые продукты мы предоставляем гарантию .

Осуществляем поставки продукции под контролем ВП МО РФ на предприятия военно-промышленного комплекса России , а также работаем в рамках 275 ФЗ с открытием отдельных счетов в уполномоченном банке. Система менеджмента качества компании соответствует требованиям ГОСТ ISO 9001.

Минимальные сроки поставки, гибкие цены, неограниченный ассортимент и индивидуальный подход к клиентам являются основой для выстраивания долгосрочного и эффективного сотрудничества с предприятиями радиоэлектронной промышленности, предприятиями ВПК и научно-исследовательскими институтами России.

С нами вы становитесь еще успешнее!

### Наши контакты:

**Телефон:** +7 812 627 14 35

**Электронная почта:** [sales@st-electron.ru](mailto:sales@st-electron.ru)

**Адрес:** 198099, Санкт-Петербург,  
Промышленная ул, дом № 19, литера Н,  
помещение 100-Н Офис 331