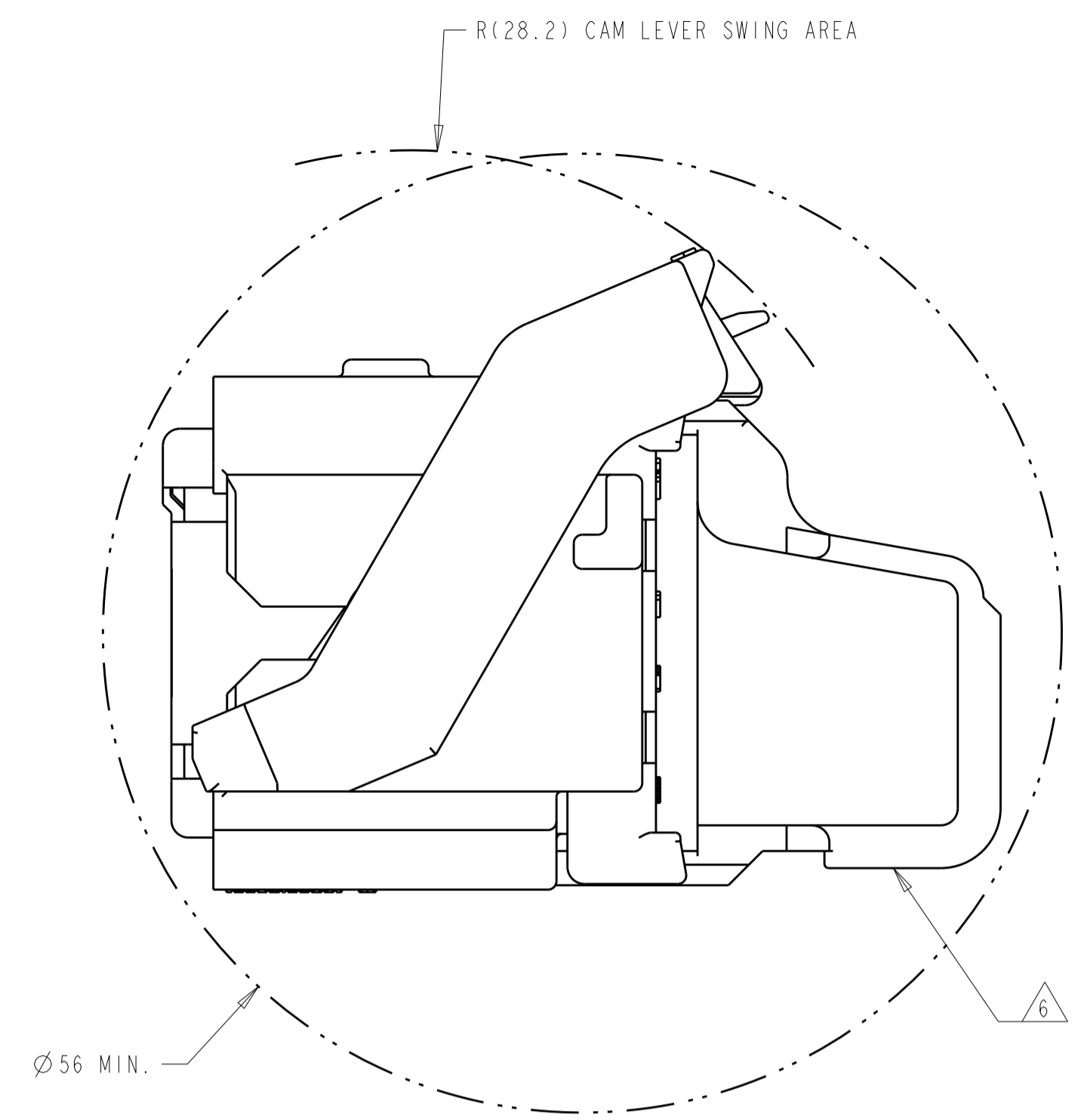
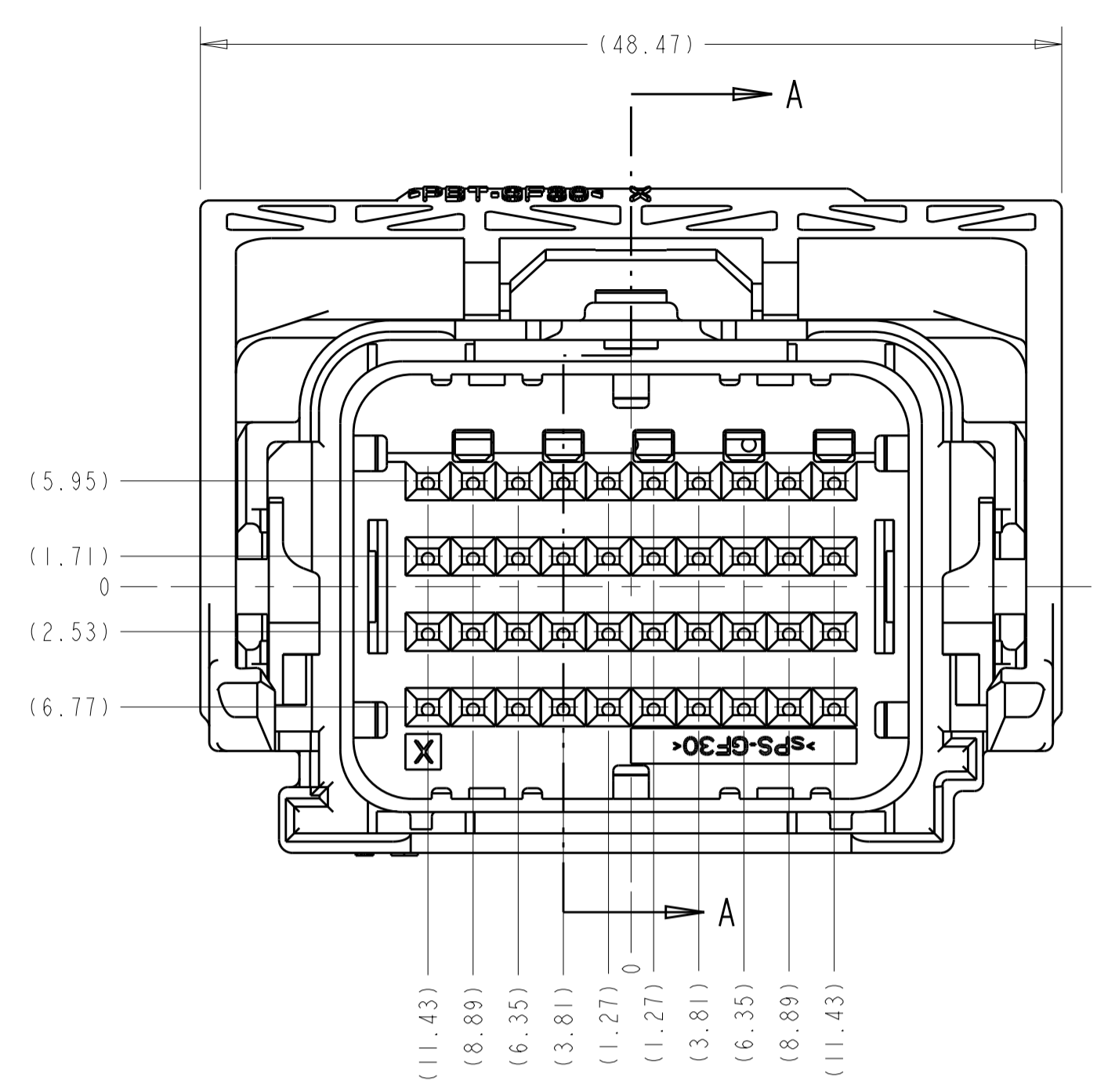
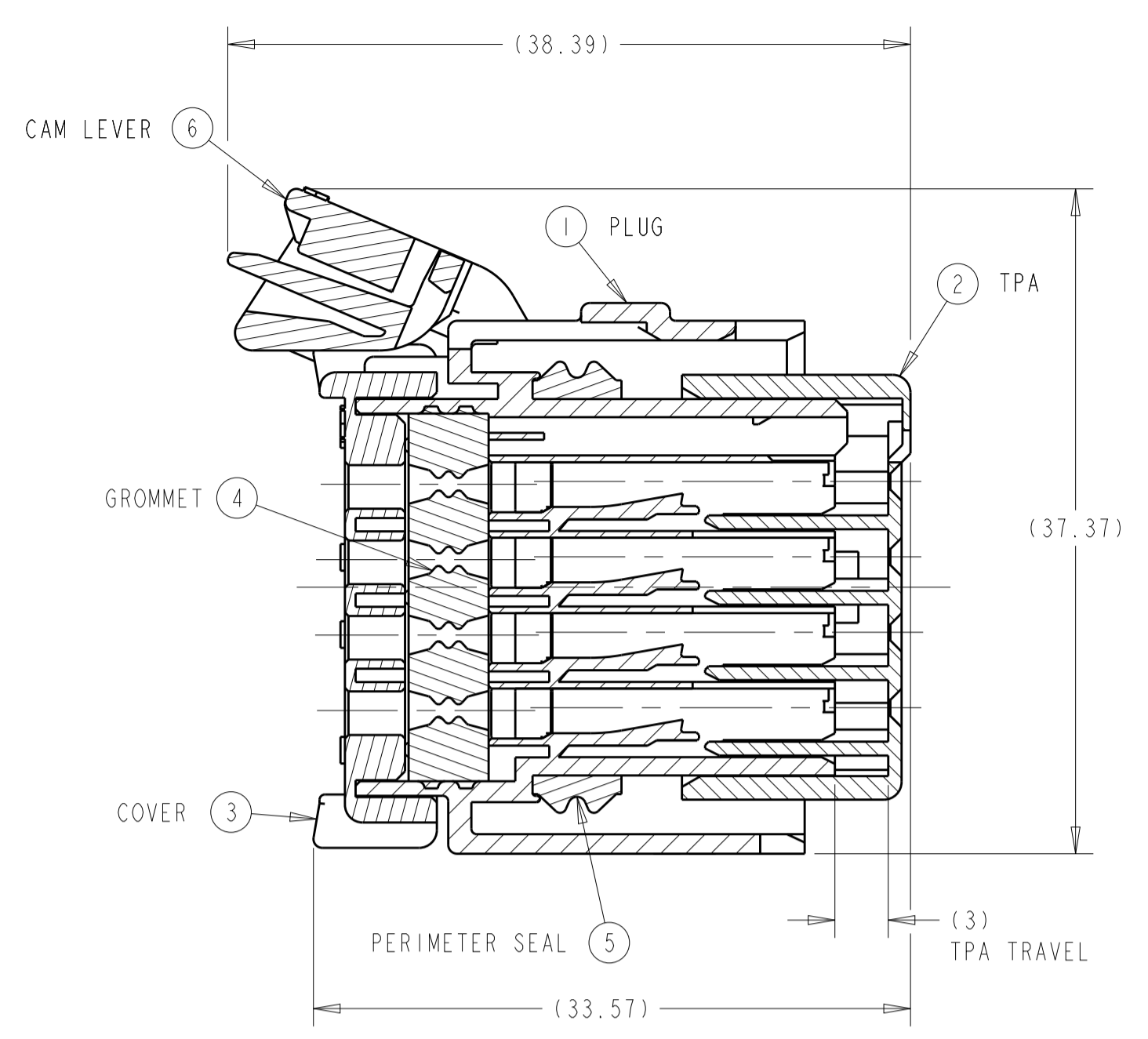
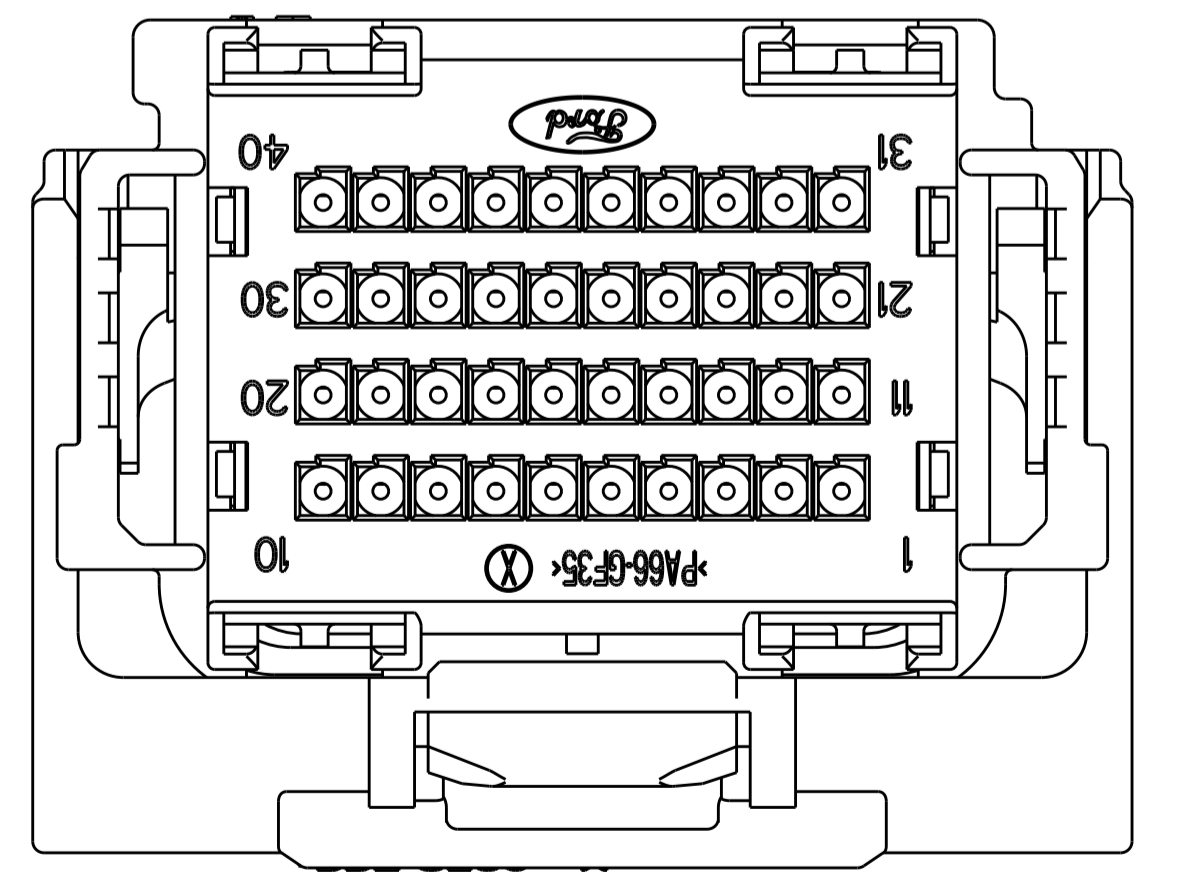
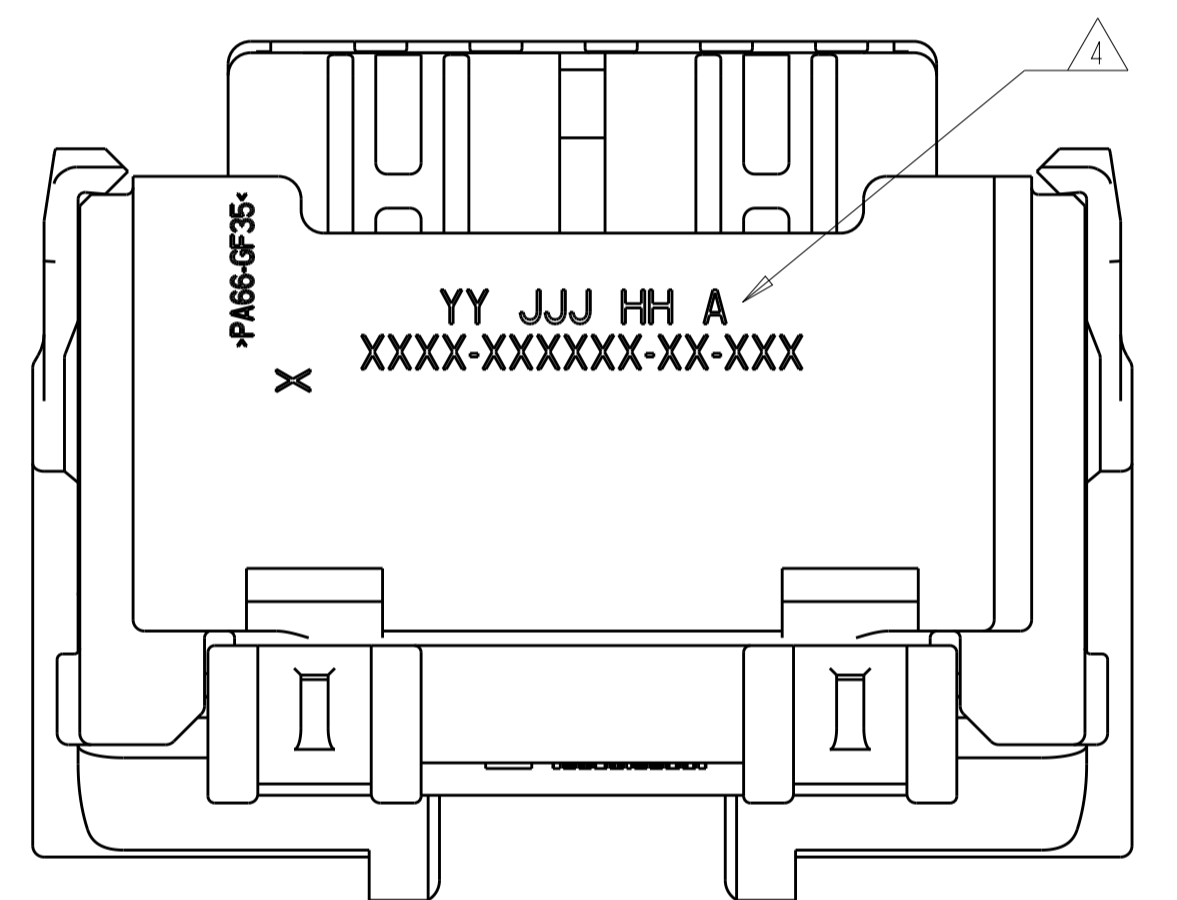
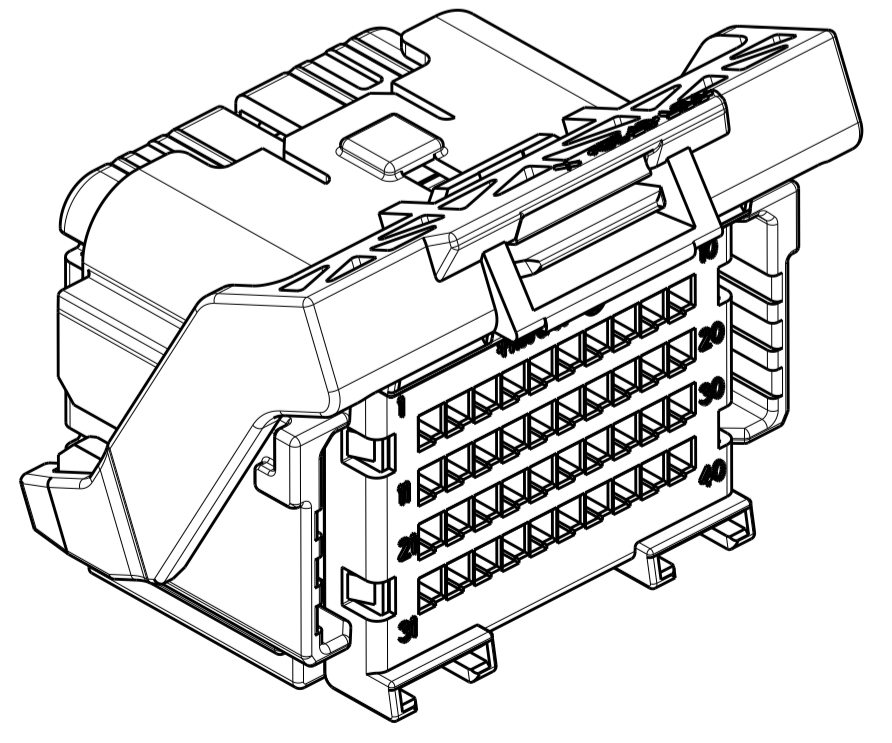
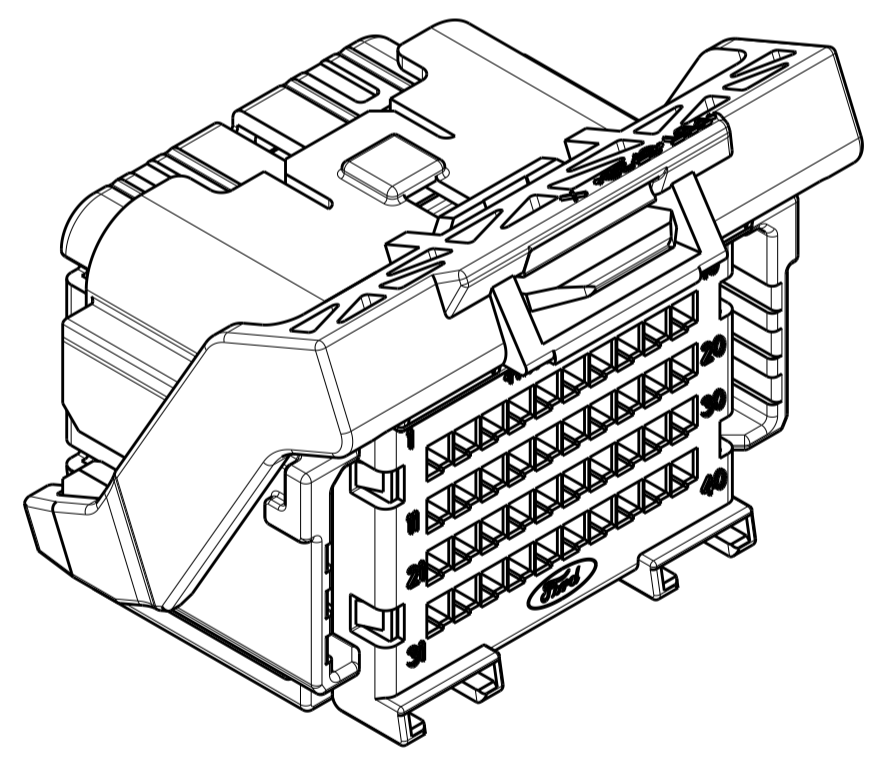
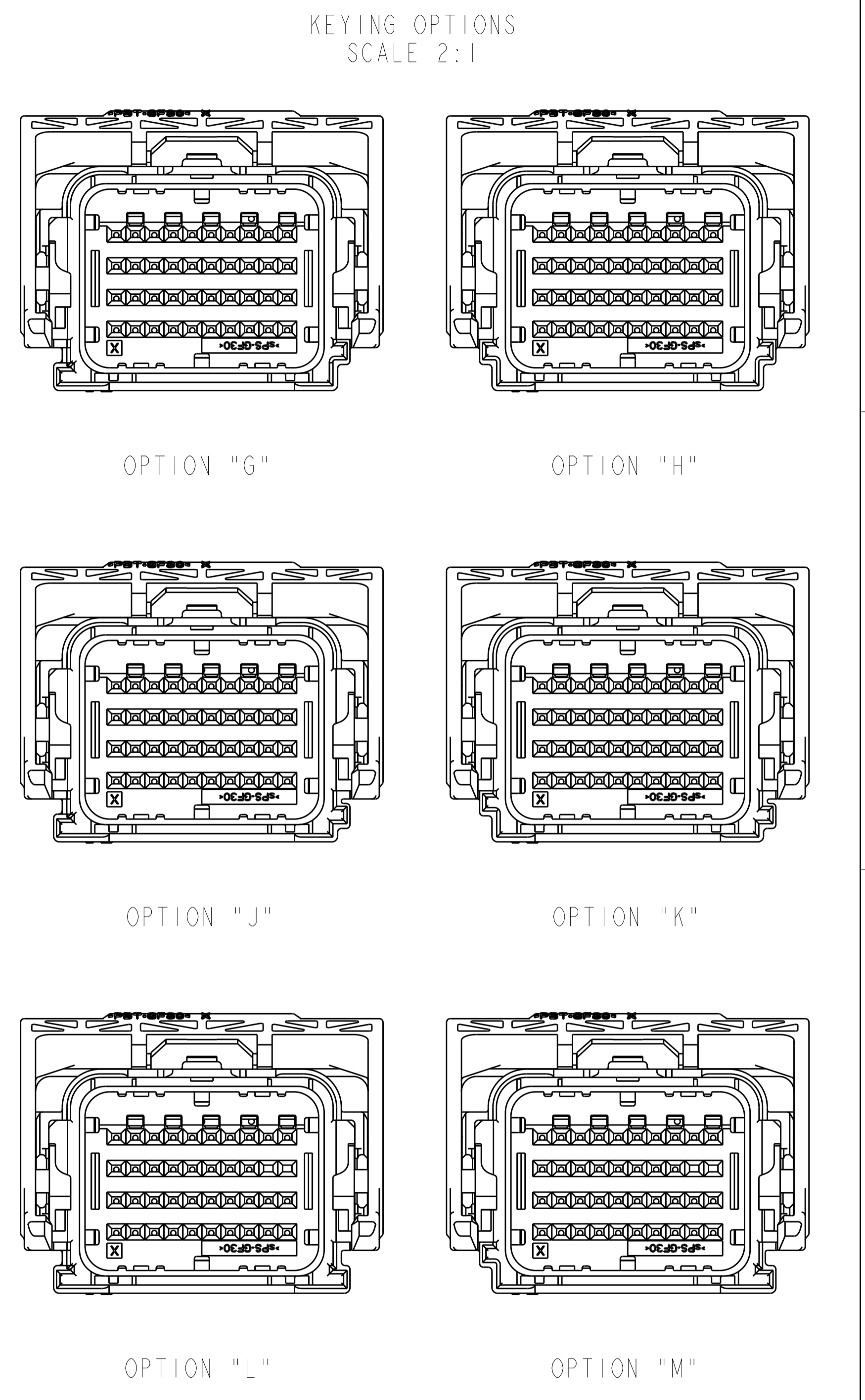


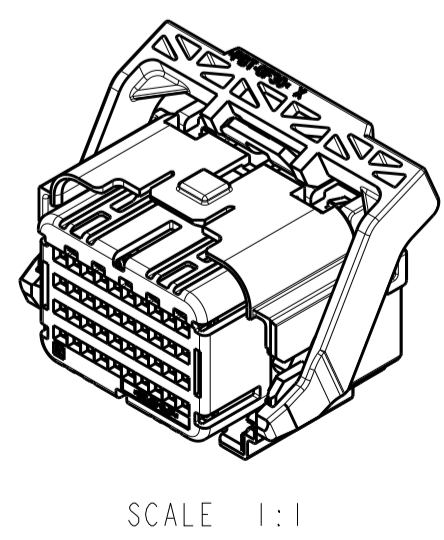
REVISIONS				
P.	LTN	DESCRIPTION	DATE	OWN APVD
CB		REVISED PER ECO-13-012231	29JUL2013	DLD WTW
CC		REVISED PER ECO-14-005842	14MAY2014	DLD WTW
CD		REVISED PER ECO-14-017635	21NOV2014	DLD WTW



MINIMUM FEED THROUGH CONDITION
WITH 1mm CLEARANCE ALL AROUND
SHOWN WITH OPTION WIRESHIELD
TPA IS IN IT'S LOADED POSITION
CAM LEVER IS IN IT'S PRE-LOADED POSITION



- APPLICABLE TERMINAL PART NUMBERS (SOLD SEPARATELY):
FOR TIN APPLICATIONS: 1393367 AND 1393366.
FOR GOLD APPLICATIONS: 1393365 AND 1393364.
FOR TERMINATION AND REELING OPTIONS
SEE DRAWINGS 1393367, 1393366, 1393365, AND 1393364.
- COMPATIBLE WIRE SIZES FOR MAT SEAL DESIGN 1.19 TO 2.06 O.D.
(22-18 AWG, 0.35-0.75 mm²)
- TPA AND CAM LEVER ARE SHIPPED IN THEIR PRE-LOADED POSITION.
ALL ASSEMBLIES ARE TO BE TRAY PACKAGED.
- CUSTOMER PART NUMBER AND TRACEABILITY CODE (YY = TWO DIGIT YEAR,
JJJ = JULIAN DAY, HH = TWO DIGIT MILITARY HOUR, A = ASSEMBLY PROCESS
USED) ARE PRINTED IN THIS LOCATION.
- PART ASSEMBLY WEIGHT WITHOUT TERMINALS AND WITH STANDARD PIN-OUT
CONFIGURATION IS 24.71 GRAMS.
- OPTIONAL WIRESHIELD P/N 8-1419157-8 (SOLD SEPARATELY). PLEASE CONTACT
YOUR TE SALES REPRESENTATIVE FOR AVAILABILITY AND PRICING.



KEYING OPTION "G" SHOWN
SEE SHEET 2 FOR BILL OF
MATERIAL AND PIN-OUT CHARTS

THIS DRAWING IS A CONTROLLED DOCUMENT.		OWN: M. FORLSKA 19APR2002	TE Connectivity NAME: 40 WAY ARM, PLUG ASSEMBLY WITHOUT SHORTING BARS, CUSTOMER SPEC.
DIMENSIONS: mm		CHK: M. FORLSKA 19APR2002	
TOLERANCES UNLESS OTHERWISE SPECIFIED:		APVD: A. VALASEK 19APR2002	SIZE: A1
0 PLC	±	PRODUCT SPEC	CAGE CODE: 00779
1 PLC	±0.3	APPLICATION SPEC	DRAWING NO: 8-1419157-7
2 PLC	±0.10	WEIGHT: SEE NOTE 5	SCALE: 3:1
3 PLC	±	CUSTOMER DRAWING	SHEET 1 OF 5
4 PLC	±		REV: CD
ANGLES	±		
FINISH	±		

REVISIONS				
P.	LTN	DESCRIPTION	DATE	OWN APVD
-	-	SEE SHEET 1	-	-

ASSEMBLY PART NUMBERS																				ITEM	DESCRIPTION	MATERIAL	FINISH/COLOR	
																					6	CAM LEVER	PBT 30% GF	GRAY
																					6	CAM LEVER WITH MODIFIED TAB	PA66 35% GF	GRAY
																					6	CAM LEVER WITH MODIFIED TAB	PBT 30% GF	GRAY
																					5	PERIMETER SEAL	SILICONE	GREEN
																					4	GROMMET	SILICONE	BROWN
																					3	COVER	PA66 35% GF	BLACK
																					2	TPA FOR NON-SHORTING BAR APPLICATIONS	sPS 30% GF	NATURAL
																					2	TPA FOR NON-SHORTING BAR APPLICATIONS	sPS 30% GF	RED
																					1	PLUG WITH KEYING OPTION "K" AND 5 SHORTING BAR POSITIONS CONFIGURATION	PA66 35% GF	BLACK
																					1	PLUG WITH KEYING OPTION "L" AND 5 SHORTING BAR POSITIONS CONFIGURATION	PA66 35% GF	BLACK
																					1	PLUG WITH KEYING OPTION "J" AND 5 SHORTING BAR POSITIONS CONFIGURATION	PA66 35% GF	BLACK
																					1	PLUG WITH KEYING OPTION "H" AND 5 SHORTING BAR POSITIONS CONFIGURATION	PA66 35% GF	BLACK
																					1	PLUG WITH KEYING OPTION "G" AND 5 SHORTING BAR POSITIONS CONFIGURATION	PA66 35% GF	BLACK

QUANTITY DESCRIPTION MATERIAL FINISH/COLOR

ASSEMBLY PART NUMBERS																				ITEM	DESCRIPTION	MATERIAL	FINISH/COLOR		
																						6	CAM LEVER	PBT 30% GF	GRAY
																						6	CAM LEVER WITH MODIFIED TAB	PA66 35% GF	GRAY
																						6	CAM LEVER WITH MODIFIED TAB	PBT 30% GF	GRAY
																						5	PERIMETER SEAL	SILICONE	GREEN
																						4	GROMMET	SILICONE	BROWN
																						3	COVER	PA66 35% GF	BLACK
																						2	TPA FOR NON-SHORTING BAR APPLICATIONS	sPS 30% GF	NATURAL
																						2	TPA FOR NON-SHORTING BAR APPLICATIONS	sPS 30% GF	RED
																						1	PLUG WITH KEYING OPTION "K" AND 5 SHORTING BAR POSITIONS CONFIGURATION	PA66 35% GF	BLACK
																						1	PLUG WITH KEYING OPTION "L" AND 5 SHORTING BAR POSITIONS CONFIGURATION	PA66 35% GF	BLACK
																						1	PLUG WITH KEYING OPTION "J" AND 5 SHORTING BAR POSITIONS CONFIGURATION	PA66 35% GF	BLACK
																						1	PLUG WITH KEYING OPTION "H" AND 5 SHORTING BAR POSITIONS CONFIGURATION	PA66 35% GF	BLACK
																						1	PLUG WITH KEYING OPTION "G" AND 5 SHORTING BAR POSITIONS CONFIGURATION	PA66 35% GF	BLACK

QUANTITY DESCRIPTION MATERIAL FINISH/COLOR

ASSEMBLY PART NUMBERS																				ITEM	DESCRIPTION	MATERIAL	FINISH/COLOR		
																						6	CAM LEVER	PBT 30% GF	GRAY
																						6	CAM LEVER WITH MODIFIED TAB	PA66 35% GF	GRAY
																						6	CAM LEVER WITH MODIFIED TAB	PBT 30% GF	GRAY
																						5	PERIMETER SEAL	SILICONE	GREEN
																						4	GROMMET	SILICONE	BROWN
																						3	COVER	PA66 35% GF	BLACK
																						2	TPA FOR NON-SHORTING BAR APPLICATIONS	sPS 30% GF	NATURAL
																						2	TPA FOR NON-SHORTING BAR APPLICATIONS	sPS 30% GF	RED
																						1	PLUG WITH KEYING OPTION "K" AND 5 SHORTING BAR POSITIONS CONFIGURATION	PA66 35% GF	BLACK
																						1	PLUG WITH KEYING OPTION "L" AND 5 SHORTING BAR POSITIONS CONFIGURATION	PA66 35% GF	BLACK
																						1	PLUG WITH KEYING OPTION "J" AND 5 SHORTING BAR POSITIONS CONFIGURATION	PA66 35% GF	BLACK
																						1	PLUG WITH KEYING OPTION "H" AND 5 SHORTING BAR POSITIONS CONFIGURATION	PA66 35% GF	BLACK
																						1	PLUG WITH KEYING OPTION "G" AND 5 SHORTING BAR POSITIONS CONFIGURATION	PA66 35% GF	BLACK

QUANTITY DESCRIPTION MATERIAL FINISH/COLOR

THIS DRAWING IS A CONTROLLED DOCUMENT.		OWN: M. FORLSKA 19APR2002	 TE Connectivity NAME: 40 WAY ARM, PLUG ASSEMBLY WITHOUT SHORTING BARS, CUSTOMER SPEC. PRODUCT SPEC: - APPLICATION SPEC: - SIZE: A1 CAGE CODE: 00779 DRAWING NO: 8-1419157-7 RESTRICTED TO: - WEIGHT: SEE NOTE 5 SCALE: 3:1 SHEET 2 OF 5 REV: CD CUSTOMER DRAWING
DIMENSIONS: mm	TOLERANCES UNLESS OTHERWISE SPECIFIED:	CHK: M. FORLSKA 19APR2002	
	0 PLC ±0.3 1 PLC ±0.10 2 PLC ±0.10 3 PLC ±0.10 4 PLC ±0.10 ANGLES ±0.5°	APVD: A. VALASEK 19APR2002	
MATERIAL: SEE CHART ON SHEET 2	FINISH: -	WEIGHT: SEE NOTE 5	

REVISIONS				
P.	LTN	DESCRIPTION	DATE	APPV
-	-	SEE SHEET 1	-	-

ASSEMBLY PART NUMBERS																				ITEM	DESCRIPTION	MATERIAL	FINISH/COLOR			
2138987-2	2138987-1																				2098034-1		6	CAM LEVER	PBT 30% GF	GRAY
																							6	CAM LEVER WITH MODIFIED TAB	PA66 35% GF	GRAY
																							6	CAM LEVER WITH MODIFIED TAB	PBT 30% GF	GRAY
																							5	PERIMETER SEAL	SILICONE	GREEN
																							4	GROMMET	SILICONE	BROWN
																							3	COVER	PA66 35% GF	BLACK
																							2	TPA FOR NON-SHORTING BAR APPLICATIONS	sPS 30% GF	NATURAL
																							2	TPA FOR NON-SHORTING BAR APPLICATIONS	sPS 30% GF	RED
																							1	PLUG WITH KEYING OPTION "K" AND 5 SHORTING BAR POSITIONS CONFIGURATION	PA66 35% GF	BLACK
																							1	PLUG WITH KEYING OPTION "L" AND 5 SHORTING BAR POSITIONS CONFIGURATION	PA66 35% GF	BLACK
																							1	PLUG WITH KEYING OPTION "J" AND 5 SHORTING BAR POSITIONS CONFIGURATION	PA66 35% GF	BLACK
																							1	PLUG WITH KEYING OPTION "H" AND 5 SHORTING BAR POSITIONS CONFIGURATION	PA66 35% GF	BLACK
																							1	PLUG WITH KEYING OPTION "G" AND 5 SHORTING BAR POSITIONS CONFIGURATION	PA66 35% GF	BLACK

DIMENSIONS: mm 		TOLERANCES UNLESS OTHERWISE SPECIFIED: 0 PLC ± 1 PLC ±0.3 2 PLC ±0.10 3 PLC ± 4 PLC ± ANGLES ±°		FINISH: - CUSTOMER DRAWING		THIS DRAWING IS A CONTROLLED DOCUMENT. DWN M. FORLSKA 19APR2002 CHK M. FORLSKA 19APR2002 APPV A. VALASEK 19APR2002		STE TE Connectivity NAME: 40 WAY ARM, PLUG ASSEMBLY WITHOUT SHORTING BARS, CUSTOMER SPEC.		SIZE: A1 CAGE CODE: 00779 DRAWING NO: 8-1419157-7		RESTRICTED TO: - SCALE: 3:1 SHEET: 3 OF 5 REV: CD	
--------------------	--	---	--	-------------------------------	--	---	--	---	--	---	--	--	--

Table with columns: P, LTM, DESCRIPTION, DATE, DWN, APVD. Row 1: SEE SHEET 1

PIN-OUT CHART table with columns 1-40 and rows 1-40. Includes part numbers like 4-1438099-4 and 4-1438099-3.

PIN-OUT CHART table with columns 1-40 and rows 1-40. Includes part number 2098034-1 and keys "H", "L", "J".

TERMINAL HOLE POSITION. CAVITIES WITH A NUMERIC SYMBOL INDICATE CLOSED TERMINAL HOLE POSITIONS. BLANK CAVITIES INDICATE OPEN TERMINAL HOLE POSITIONS.

Technical drawing footer including dimensions, tolerances, material, weight, and customer drawing information. Includes STC logo and TE Connectivity text.

REVISIONS				
P.	LTN.	DESCRIPTION	DATE	APP'D.
-	-	SEE SHEET 1	-	-

PIN-OUT CHART

TERMINAL HOLE POSITION	ASSEMBLY PART NUMBER	PLUG KEYING OPTION
3 4 5 6 13 14 15 16 21 22 23 24 33 35 36 37 38 39	2138987-2	KEY "G"
1 2 3 4 5 6 7 8 9 10 11 12 13 14 15 16 17 18 19 20 21 22 23 24 25 26 27 28 29 30 31 32 33 34 35 36 37 38 39 40	2138987-1	KEY "G"

CAVITIES WITH A NUMERIC SYMBOL INDICATE CLOSED TERMINAL HOLE POSITIONS
 BLANK CAVITIES INDICATE OPEN TERMINAL HOLE POSITIONS

THIS DRAWING IS A CONTROLLED DOCUMENT.		DWN M. FORLSKA 19APR2002 CHK M. FORLSKA 19APR2002 APP'D A. VALASEK 19APR2002	TE Connectivity NAME: 40 WAY ARM, PLUG ASSEMBLY WITHOUT SHORTING BARS, CUSTOMER SPEC.
DIMENSIONS: mm	TOLERANCES UNLESS OTHERWISE SPECIFIED: 0 PLC ±. 1 PLC ±0.3 2 PLC ±0.10 3 PLC ±. 4 PLC ±. ANGLES ±3°	PRODUCT SPEC APPLICATION SPEC WEIGHT CUSTOMER DRAWING	



Стандарт Электрон Связь

Мы молодая и активно развивающаяся компания в области поставок электронных компонентов. Мы поставляем электронные компоненты отечественного и импортного производства напрямую от производителей и с крупнейших складов мира.

Благодаря сотрудничеству с мировыми поставщиками мы осуществляем комплексные и плановые поставки широчайшего спектра электронных компонентов.

Собственная эффективная логистика и склад в обеспечивает надежную поставку продукции в точно указанные сроки по всей России.

Мы осуществляем техническую поддержку нашим клиентам и предпродажную проверку качества продукции. На все поставляемые продукты мы предоставляем гарантию .

Осуществляем поставки продукции под контролем ВП МО РФ на предприятия военно-промышленного комплекса России , а также работаем в рамках 275 ФЗ с открытием отдельных счетов в уполномоченном банке. Система менеджмента качества компании соответствует требованиям ГОСТ ISO 9001.

Минимальные сроки поставки, гибкие цены, неограниченный ассортимент и индивидуальный подход к клиентам являются основой для выстраивания долгосрочного и эффективного сотрудничества с предприятиями радиоэлектронной промышленности, предприятиями ВПК и научно-исследовательскими институтами России.

С нами вы становитесь еще успешнее!

Наши контакты:

Телефон: +7 812 627 14 35

Электронная почта: sales@st-electron.ru

Адрес: 198099, Санкт-Петербург,
Промышленная ул, дом № 19, литера Н,
помещение 100-Н Офис 331