

Power Resistor for Mounting onto a Heatsink Thick Film Technology



FEATURES

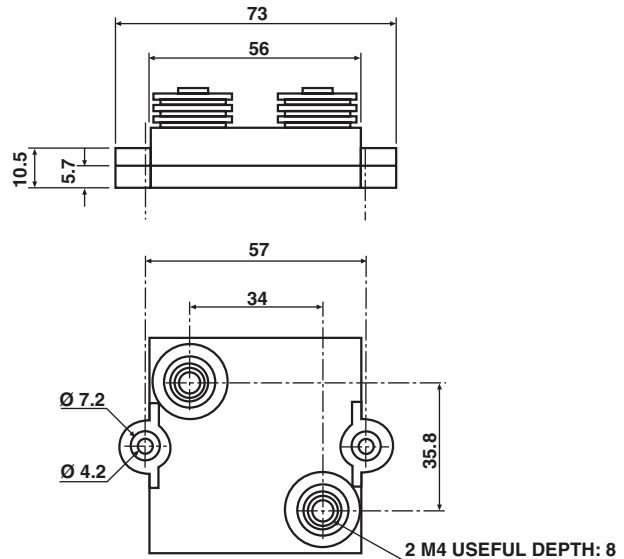
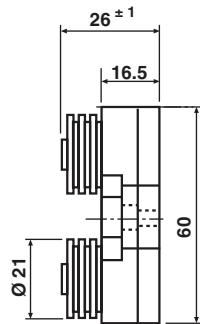
- High power rating: 250 W
- High overload capability up to 4 times nominal power (see energy curve)
- Easy mounting
- Low thermal radiation of the case


RoHS
COMPLIANT

Developed for specific applications such as railroad electrical traction, this series can bear short overloads as high as fifteen times the nominal power. Designed to be mounted onto a heatsink, these power resistors exhibit remarkable characteristics.

DIMENSIONS in millimeters

RPS 250D



• Tolerance unless stated: ± 0.2 mm

MECHANICAL SPECIFICATIONS

Mechanical Protection	Insulated case
Substrate	Alumina onto aluminum base
Resistive Element	Cermet
End Connections	Screws M4, (M5 on request)
Tightening Torque on connections	2 Nm
Weight	170 g ± 10 %

ENVIRONMENTAL SPECIFICATIONS

Thermal Resistance	R_{TH} (j-c) 0.22 °C/W
Temperature Range	- 55 °C + 125 °C
Climatic Category	55/125/56

ELECTRICAL SPECIFICATIONS

Resistance Range	0.24 Ω to 1M E24 series
Tolerances	± 1 % to ± 10 %
Power Rating chassis mounted 250 W 1000 W	at 50 °C continuous at 25 °C for 10 s
Temperature Coefficient Standard	± 250 ppm/°C < 1 ± 150 ppm/°C > 1
Limiting Element Voltage U_L	5 kVRMS
Dielectric Strength MIL STD 202 (301), 1 min, 10 mA max.	L connections 7 kVRMS H connections 12 kVRMS
Insulation Resistance	> 10^6 M Ω
Inductance	< 50 nH
Capacitance Resistor/ ground	< 40 pF < 120 pF

PERFORMANCE		
TESTS	CONDITIONS	REQUIREMENTS
Momentary Overload	NF EN 140 000 CEI 115_1 4 Pr/10 s/ $U_L = 5000$ V	$< \pm (0.25 \% + 0.05 \Omega)$
Rapid Temperature Change	NF EN 140 000 CEI 68214 Test Na 5 cycles - 55 °C + 125 °C	$< \pm (0.25 \% + 0.05 \Omega)$
Load Life	NF EN 140 000 CEI 115_1 1000 h Pr at 70 °C	$< \pm (0.5 \% + 0.05 \Omega)$
Humidity (steady state)	MIL STD 202 Method 103 B and D 56 days R.H. 95 %	$< \pm (0.5 \% + 0.05 \Omega)$

RESISTANCE VALUE IN RELATION TO TOLERANCE AND TCR		
Ohmic Value	$< 1 \Omega$	$> 1 \Omega$
Standard Tolerance	$\pm 5 \%$	$\pm 5 \%$
Standard TCR (- 55 °C to + 125 °C)	± 250 ppm/°C	± 150 ppm/°C
Tolerance On Request	$\pm 1 \% - \pm 2 \% - \pm 10 \%$	

CHOICE OF THE HEATSINK

The user must choose the heatsink according to the working conditions of the component (power, room temperature). Maximum working temperature must not exceed 125 °C. The dissipated power is simply calculated by the following ratio:

$$P = \frac{\Delta T}{[R_{TH} (j-c) + R_{TH} (c-a)]} \quad (1)$$

P: Expressed in W

T: Difference between maximum working temperature and room temperature

$R_{TH} (j-c)$: Thermal resistance value measured between resistive layer and outer side of the resistor. It is the thermal resistance of the component: (see specifications environmental paragraph).

$R_{TH} (c-a)$: Thermal resistance value measured between outer side of the resistor and room temperature. It is the thermal resistance of the heatsink, depending on the heatsink itself (type, shape) and the quality of the fastening device.

Example:

$R_{TH} (c-a)$ for RPS 250 power dissipation 180 W at + 50 °C room temperature.

$$\Delta T \leq 125 \text{ °C} - 50 \text{ °C} \leq 75 \text{ °C}$$

$$R_{TH} (j-c) + R_{TH} (c-a) = \frac{\Delta T}{P} = \frac{75}{180} = 0.42 \text{ °C/W}$$

$$R_{TH} (j-c) = 0.22 \text{ °C/W}$$

$$R_{TH} (c-a) \leq 0.42 \text{ °C/W} - 0.22 \text{ °C/W} \leq 0.20 \text{ °C/W}$$

RECOMMENDATIONS FOR MOUNTING ONTO A HEATSINK

Surfaces in contact must be carefully cleaned. The heatsink must have an acceptable flatness: from 0.05 mm to 0.1 mm/100 mm. Roughness of the heatsink must be around 6.3 μm . In order to improve thermal conductivity, surfaces in contact should be coated with a silicone grease (type SI 340 from Rhône-Poulenc or Dow 340 from Dow Corning).

The fastening of the resistor to the heatsink is under pressure control of two screws (tightening torque 3 Nm).

In order to improve the dissipation, either forced-air cooling or liquid cooling may be used.

Do not forget to respect an insulation value between two resistors (dielectric strength in dry air 1 kV/mm).

In any case the hot spot temperature, measured locally on the case must not exceed 125 °C.

Test should be performed by the user.



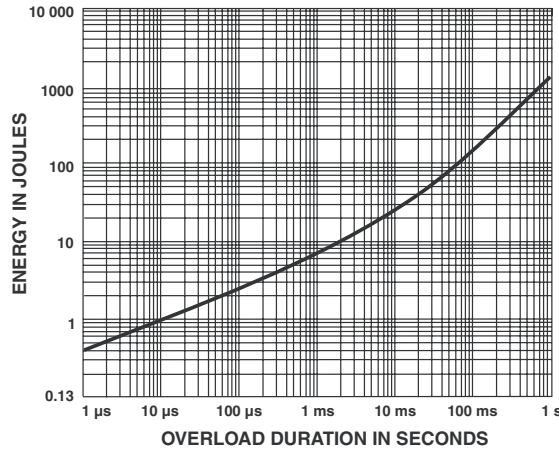
OVERLOADS

In any case the applied voltage must be lower than 2.5 Un. $U_{maxi} < 2.5 U_n < 12\ 500\ V$.

Short time overload: $4 P_n/10\ s$

Accidental overload: The values indicated on the graph below are applicable to resistors in air or mounted onto a heatsink.

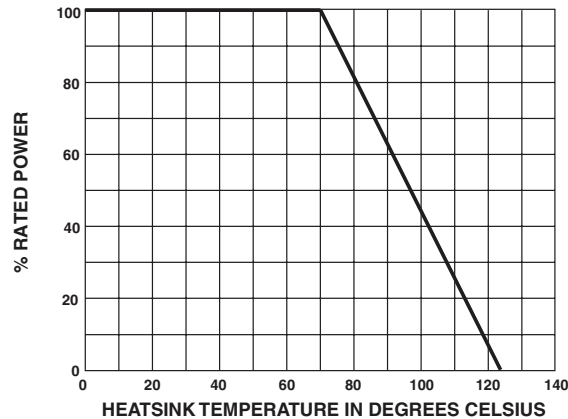
ENERGY CURVE



POWER RATING CHART

The temperature of the heatsink should be maintained in the limit specified.

To improve the thermal conductivity, surfaces in contact should be coated with a silicone grease.



MARKING

Series, style, ohmic value (in Ω), tolerance in %, manufacturing date, VISHAY trademark

PACKAGING

Packaging box of 15 units



GLOBAL PART NUMBER INFORMATION																	
R	P	S	0	2	5	0	D	L	2	R	2	0	J	B	Z	A	3
GLOBAL MODEL	STYLE	DIELECTRIC	OHMIC VALUE			TOLERANCE			PACKAGING			TYPE					
RPS250	D = Diagonal connections A = Straight connections	H = Dielectric strength 12 kV L = Dielectric strength 7 kV	The first three digits are significant figures and the last digit specifies the number of zeros to follow. R designates decimal point. 2R20 = 2.20 Ω 48R7 = 48.7 Ω 47R0 = 47 Ω 1001 = 1 kΩ 4R70 = 4.7 Ω R240 = 0.24 Ω			F = 1 % G = 2 % J = 5 % K = 10 %			B = Box, 15 pcs N = Box, 15 pcs N/A (1 to 14 pcs by box)			Standard RPS250A = Blank Standard RPS250D = ZA3 Special = Blank (for RPS250D) or as applicable = ZAx					



Disclaimer

All product specifications and data are subject to change without notice.

Vishay Intertechnology, Inc., its affiliates, agents, and employees, and all persons acting on its or their behalf (collectively, "Vishay"), disclaim any and all liability for any errors, inaccuracies or incompleteness contained herein or in any other disclosure relating to any product.

Vishay disclaims any and all liability arising out of the use or application of any product described herein or of any information provided herein to the maximum extent permitted by law. The product specifications do not expand or otherwise modify Vishay's terms and conditions of purchase, including but not limited to the warranty expressed therein, which apply to these products.

No license, express or implied, by estoppel or otherwise, to any intellectual property rights is granted by this document or by any conduct of Vishay.

The products shown herein are not designed for use in medical, life-saving, or life-sustaining applications unless otherwise expressly indicated. Customers using or selling Vishay products not expressly indicated for use in such applications do so entirely at their own risk and agree to fully indemnify Vishay for any damages arising or resulting from such use or sale. Please contact authorized Vishay personnel to obtain written terms and conditions regarding products designed for such applications.

Product names and markings noted herein may be trademarks of their respective owners.



Стандарт Электрон Связь

Мы молодая и активно развивающаяся компания в области поставок электронных компонентов. Мы поставляем электронные компоненты отечественного и импортного производства напрямую от производителей и с крупнейших складов мира.

Благодаря сотрудничеству с мировыми поставщиками мы осуществляем комплексные и плановые поставки широчайшего спектра электронных компонентов.

Собственная эффективная логистика и склад в обеспечивает надежную поставку продукции в точно указанные сроки по всей России.

Мы осуществляем техническую поддержку нашим клиентам и предпродажную проверку качества продукции. На все поставляемые продукты мы предоставляем гарантию .

Осуществляем поставки продукции под контролем ВП МО РФ на предприятия военно-промышленного комплекса России , а также работаем в рамках 275 ФЗ с открытием отдельных счетов в уполномоченном банке. Система менеджмента качества компании соответствует требованиям ГОСТ ISO 9001.

Минимальные сроки поставки, гибкие цены, неограниченный ассортимент и индивидуальный подход к клиентам являются основой для выстраивания долгосрочного и эффективного сотрудничества с предприятиями радиоэлектронной промышленности, предприятиями ВПК и научно-исследовательскими институтами России.

С нами вы становитесь еще успешнее!

Наши контакты:

Телефон: +7 812 627 14 35

Электронная почта: sales@st-electron.ru

Адрес: 198099, Санкт-Петербург,
Промышленная ул, дом № 19, литера Н,
помещение 100-Н Офис 331