

FEATURES

- 1.8V to 5.5V Supply Voltage
- Single and Dual Transceivers
- High-Speed Operation
 - 1Mbps for 250pF/3kΩ Load (LTC2802, LTC2804)
 - 250kbps for 1nF/3kΩ Load
 - 100kbps for 2.5nF/3kΩ TIA/EIA-232-F Load
- Low-Power 1μA Shutdown and 15μA Receivers-Active Modes
- No Damage or Latchup to ±10kV ESD on RS-232 Interface
- Logic Supply Pin for Easy Level-Shifting to UART or Microprocessor
- Low-Latency Output Enable Allows Line Sharing and Half-Duplex Operation
- True RS-232 Compliant Output Levels
- Small Footprint:
 - LTC2801/LTC2802 4mm × 3mm DFN Package
 - LTC2803/LTC2804 Narrow SSOP-16 and 5mm × 3mm DFN Packages

APPLICATIONS

- Battery-Powered Systems
- Computers and Consumer Electronics
- Diagnostic Ports

LT, LTC, LTM, Linear Technology and the Linear logo are registered trademarks of Linear Technology Corporation. All other trademarks are the property of their respective owners.

DESCRIPTION

The LTC[®]2801/LTC2802/LTC2803/LTC2804 are single and dual RS-232 transceivers in narrow SSOP and chip-scale DFN packages. All operate over a supply range of 1.8V to 5.5V, which permits operation directly from two alkaline, NiCd or NiMH cells. An integrated DC-to-DC converter generates power supplies for driving RS-232 levels. A logic supply pin allows easy interfacing with different logic levels independent of the DC-DC supply.

These parts are compatible with the TIA/EIA-232-F standard. Driver outputs are protected from overload and can be shorted to ground or up to ±15V without damage. To extend battery life, receivers can be kept active, operating at reduced speed, with only 15μA current. In shutdown mode, current is further reduced to 1μA.

PRODUCT SELECTION GUIDE

| PART NUMBER | DRIVERS AND RECEIVERS | MAXIMUM DATA RATE | MODES* | PACKAGE |
|-------------|-----------------------|-------------------|----------------|---------|
| LTC2801 | 1 + 1 | 0.25Mbps | SD, RA, DD, AO | DFN-12 |
| LTC2802 | 1 + 1 | 1Mbps | SD, RA, DD, AO | DFN-12 |
| LTC2803 | 2 + 2 | 0.25Mbps | SD, RA, DD, AO | DFN-16 |
| LTC2803-1 | 2 + 2 | 0.25Mbps | SD, AO | SSOP-16 |
| LTC2804 | 2 + 2 | 1Mbps | SD, RA, DD, AO | DFN-16 |
| LTC2804-1 | 2 + 2 | 1Mbps | SD, AO | SSOP-16 |

*SD = Shutdown, RA = Receiver Active (low power), DD = Drivers Disabled, AO = All On

TYPICAL APPLICATION



LTC2802 at 1.8V and 1Mbps



LTC2801/LTC2802/ LTC2803/LTC2804

ABSOLUTE MAXIMUM RATINGS (Note 1)

Input Supplies

V_{CC} -0.3V to 7V
 V_L -0.3V to 6.7V

Generated Supplies

V_{DD} V_{CC} - 0.3V to 7.5V
 V_{EE} 0.3V to -7.5V
 $V_{DD} - V_{EE}$ 14V

SW -0.3V to $V_{DD} + 0.3V$

CAP +0.3V to $V_{EE} - 0.3V$

TIN, T1IN, T2IN, MODE -0.3V to 7V

PS, ON/OFF -0.3V to ($V_L + 0.3V$)

RIN, R1IN, R2IN -25V to 25V

TOUT, T1OUT, T2OUT -15V to 15V

ROUT, R1OUT, R2OUT -0.3V to ($V_L + 0.3V$)

Operating Temperature

LTC280XC 0°C to 70°C

LTC280XI -40°C to 85°C

Storage Temperature Range -65°C to 125°C

Lead Temperature (Soldering, 10 sec)

GN Package 300°C

PIN CONFIGURATION

| LTC2801, LTC2802 1-Driver/1-Receiver | LTC2803, LTC2804 2-Driver/2-Receiver | LTC2803-1, LTC2804-1 2-Driver/2-Receiver |
|--|---|--|
| <p>TOP VIEW</p> <p>DE PACKAGE 12-LEAD (4mm × 3mm) PLASTIC DFN $T_{JMAX} = 125^{\circ}C$, $\theta_{JA} = 43^{\circ}C/W$, $\theta_{JC} = 4.3^{\circ}C/W$ (4 Layer) EXPOSED PAD (PIN 13) IS V_{EE}, MUST BE SOLDERED TO PCB</p> | <p>TOP VIEW</p> <p>DHC PACKAGE 16-LEAD (5mm × 3mm) PLASTIC DFN $T_{JMAX} = 125^{\circ}C$, $\theta_{JA} = 44^{\circ}C/W$, $\theta_{JC} = 4.3^{\circ}C/W$ (4 Layer) EXPOSED PAD (PIN 17) IS V_{EE}, MUST BE SOLDERED TO PCB</p> | <p>TOP VIEW</p> <p>GN PACKAGE 16-LEAD (NARROW 0.150) PLASTIC SSOP $T_{JMAX} = 125^{\circ}C$, $\theta_{JA} = 110^{\circ}C/W$, $\theta_{JC} = 40^{\circ}C/W$ (4 Layer)</p> |

ORDER INFORMATION

| LEAD FREE FINISH | TAPE AND REEL | PART MARKING* | PACKAGE DESCRIPTION | TEMPERATURE RANGE |
|------------------|--------------------|---------------|-------------------------------------|-------------------|
| LTC2801CDE#PBF | LTC2801CDE#TRPBF | 2801 | 12-Lead (4mm × 3mm) Plastic DFN | 0°C to 70°C |
| LTC2801IDE#PBF | LTC2801IDE#TRPBF | 2801 | 12-Lead (4mm × 3mm) Plastic DFN | -40°C to 85°C |
| LTC2802CDE#PBF | LTC2802CDE#TRPBF | 2802 | 12-Lead (4mm × 3mm) Plastic DFN | 0°C to 70°C |
| LTC2802IDE#PBF | LTC2802IDE#TRPBF | 2802 | 12-Lead (4mm × 3mm) Plastic DFN | -40°C to 85°C |
| LTC2803CDHC#PBF | LTC2803CDHC#TRPBF | 2803 | 16-Lead (5mm × 3mm) Plastic DFN | 0°C to 70°C |
| LTC2803IDHC#PBF | LTC2803IDHC#TRPBF | 2803 | 16-Lead (5mm × 3mm) Plastic DFN | -40°C to 85°C |
| LTC2804CDHC#PBF | LTC2804CDHC#TRPBF | 2804 | 16-Lead (5mm × 3mm) Plastic DFN | 0°C to 70°C |
| LTC2804IDHC#PBF | LTC2804IDHC#TRPBF | 2804 | 16-Lead (5mm × 3mm) Plastic DFN | -40°C to 85°C |
| LTC2803CGN-1#PBF | LTC2803CGN-1#TRPBF | 28031 | 16-Lead (Narrow 0.150) Plastic SSOP | 0°C to 70°C |
| LTC2803IGN-1#PBF | LTC2803IGN-1#TRPBF | 280311 | 16-Lead (Narrow 0.150) Plastic SSOP | -40°C to 85°C |
| LTC2804CGN-1#PBF | LTC2804CGN-1#TRPBF | 28041 | 16-Lead (Narrow 0.150) Plastic SSOP | 0°C to 70°C |
| LTC2804IGN-1#PBF | LTC2804IGN-1#TRPBF | 280411 | 16-Lead (Narrow 0.150) Plastic SSOP | -40°C to 85°C |

Consult LTC Marketing for parts specified with wider operating temperature ranges. *The temperature grade is identified by a label on the shipping container. Consult LTC Marketing for information on non-standard lead based finish parts.

For more information on lead free part marking, go to: <http://www.linear.com/leadfree/>

For more information on tape and reel specifications, go to: <http://www.linear.com/tapeandree/>

2801234fe

ELECTRICAL CHARACTERISTICS The ● denotes the specifications which apply over the full operating temperature range, otherwise specifications are at $T_A = 25^\circ\text{C}$, $V_{CC} = 1.8\text{V}$ to 5.5V , $V_L = 1.8\text{V}$ to 5.5V , Normal Mode. Typical values are given for $V_{CC} = V_L = 3.3\text{V}$ and $T_A = 25^\circ\text{C}$, unless otherwise noted.

| SYMBOL | PARAMETER | CONDITIONS | MIN | TYP | MAX | UNITS | |
|-------------------------------|-----------------------------------|---|-----|-------------|------------------|---------------|------------------|
| Power Supplies | | | | | | | |
| I_{CC} | V_{CC} Supply Current | Outputs Unloaded | | 2.3 | | mA | |
| | | Normal Mode (Note 3) | ● | 1 | 10 | μA | |
| | | Receivers Active Mode | ● | 1 | 10 | μA | |
| I_L | V_L Supply Current | Outputs Unloaded | | | | | |
| | | Normal Mode (LTC2801, LTC2802) | ● | 0.08 | 0.15 | mA | |
| | | Normal Mode (LTC2803, LTC2804) | ● | 0.15 | 0.30 | mA | |
| | | Receivers Active Mode | ● | 15 | 30 | μA | |
| | | Shutdown Mode | ● | 1 | 10 | μA | |
| Driver | | | | | | | |
| V_{OLD} | Output Voltage | $R_L = 3\text{k}\Omega$ Low | ● | -5 | -5.7 | V | |
| V_{OHD} | Output Voltage | $R_L = 3\text{k}\Omega$ High | ● | 5 | 6.2 | V | |
| V_{HYSD} | Logic Input Hysteresis | | | 0.6 | | V | |
| I_{OSD} | Output Short Circuit Current | $V_L = V_{CC} = 5.5\text{V}$; $V_{TOUT} = 0\text{V}$ | ● | ± 35 | ± 70 | mA | |
| I_{POLD} | Power-Off Output Leakage Current | $V_L = V_{CC} = V_{DD} = V_{EE} = 0\text{V}$; $V_{TOUT} = \pm 2\text{V}$ | ● | ± 0.1 | ± 10 | μA | |
| I_{OLD} | Output Leakage Current | Shutdown or Receivers Active or Drivers Disabled Modes, $-15\text{V} \leq V_{TOUT} \leq 15\text{V}$ | ● | ± 0.1 | ± 10 | μA | |
| Receiver | | | | | | | |
| V_{IR} | Input Thresholds | Receivers Active Mode | ● | 0.8 | 1.5 | 2.4 | V |
| V_{ILR} | Input Thresholds | Normal Mode, Input Low | ● | 0.8 | 1.3 | | V |
| V_{IHR} | Input Thresholds | Normal Mode, Input High | ● | | 1.7 | 2.5 | V |
| V_{HYSR} | Input Hysteresis | Normal Mode | ● | 0.1 | 0.4 | 1.0 | V |
| V_{OLR} | Output Voltage | Output Low, $I_{ROUT} = 1\text{mA}$ (Sinking) | ● | | 0.2 | 0.4 | V |
| V_{OHR} | Output Voltage | Output High, $I_{ROUT} = -1\text{mA}$ (Sourcing) | ● | $V_L - 0.4$ | $V_L - 0.2$ | | V |
| R_{IN} | Input Resistance | $-15\text{V} \leq V_{RIN} \leq 15\text{V}$ | ● | 3 | 5 | 7 | $\text{k}\Omega$ |
| I_{OSR} | Output Short Circuit Current | $V_L = 5.5\text{V}$; $0\text{V} \leq V_{ROUT} \leq V_L$ | ● | ± 25 | ± 50 | mA | |
| Logic | | | | | | | |
| | Logic Input Voltage Threshold | | ● | 0.4 | $0.67 \cdot V_L$ | V | |
| I_{IN} | Logic Input Current | | ● | | ± 1 | μA | |
| Power Supply Generator | | | | | | | |
| V_{DD} | Regulated V_{DD} Output Voltage | Driver $R_L = 3\text{k}\Omega$ (Note 3) LTC2801, LTC2802: $V_{TIN} = V_L$ LTC2803, LTC2804: $V_{T1IN} = V_L$, $V_{T2IN} = 0\text{V}$ | | 7 | | V | |
| V_{EE} | Regulated V_{EE} Output Voltage | Driver $R_L = 3\text{k}\Omega$ (Note 3) LTC2801, LTC2802: $V_{TIN} = V_L$ LTC2803, LTC2804: $V_{T1IN} = V_L$, $V_{T2IN} = 0\text{V}$ | | -6.3 | | V | |

LTC2801/LTC2802/ LTC2803/LTC2804

SWITCHING CHARACTERISTICS The ● denotes the specifications which apply over the full operating temperature range, otherwise specifications are at $T_A = 25^\circ\text{C}$, $V_{CC} = 1.8\text{V to }5.5\text{V}$, $V_L = 1.8\text{V to }5.5\text{V}$, Normal Mode. Typical values are given for $V_{CC} = V_L = 3.3\text{V}$ and $T_A = 25^\circ\text{C}$, unless otherwise noted.

| SYMBOL | PARAMETER | CONDITIONS | MIN | TYP | MAX | UNITS | |
|--------|-------------------|--|-----|------|-----|-------|--|
| | Maximum Data Rate | LTC2801, LTC2803 (Note 3) | ● | 100 | | kbps | |
| | | $R_L = 3\text{k}\Omega$, $C_L = 2.5\text{nF}$ | ● | 250 | | kbps | |
| | | $R_L = 3\text{k}\Omega$, $C_L = 1\text{nF}$ | | | | | |
| | | LTC2802, LTC2804 (Note 3) | ● | 100 | | kbps | |
| | | $R_L = 3\text{k}\Omega$, $C_L = 2.5\text{nF}$ | ● | 250 | | kbps | |
| | | $R_L = 3\text{k}\Omega$, $C_L = 1\text{nF}$ | ● | 1000 | | kbps | |
| | | $R_L = 3\text{k}\Omega$, $C_L = 250\text{pF}$ | ● | | | kbps | |

Driver

| | | | | | | |
|-------------------------|----------------------------|---|---|-----|-----|------------------------|
| SR(D) | Driver Slew Rate | LTC2801, LTC2803 (Figure 1) | ● | 4 | | $\text{V}/\mu\text{s}$ |
| | | $V_{CC} = V_L = 1.8\text{V}$, $R_L = 3\text{k}\Omega$, $C_L = 2.5\text{nF}$ | ● | | 30 | $\text{V}/\mu\text{s}$ |
| | | LTC2802, LTC2804 (Figure 1) | ● | 4 | | $\text{V}/\mu\text{s}$ |
| | | $V_{CC} = V_L = 1.8\text{V}$, $R_L = 3\text{k}\Omega$, $C_L = 2.5\text{nF}$ | ● | | 150 | $\text{V}/\mu\text{s}$ |
| t_{PHLD} , t_{PLHD} | Driver Propagation Delay | $R_L = 3\text{k}\Omega$, $C_L = 50\text{pF}$ (Figure 2) | ● | | 1 | μs |
| | | LTC2801, LTC2803 | ● | 0.2 | 2 | μs |
| | | LTC2802, LTC2804 | | | 0.5 | μs |
| | | | | | | |
| t_{SKEWD} | Driver Skew | $R_L = 3\text{k}\Omega$, $C_L = 50\text{pF}$ (Figure 2) | | | 100 | ns |
| | | LTC2801, LTC2803 | | | 50 | ns |
| | | LTC2802, LTC2804 | | | | |
| | | | | | | |
| t_{PZHD} , t_{PZLD} | Driver Output Enable Time | $PS = V_L$, $MODE = \uparrow$, $R_L = 3\text{k}\Omega$, $C_L = 50\text{pF}$ (Figure 4) | ● | | 0.6 | μs |
| t_{PHZD} , t_{PLZD} | Driver Output Disable Time | $PS = V_L$, $MODE = \downarrow$, $R_L = 3\text{k}\Omega$, $C_L = 50\text{pF}$ (Figure 4) | ● | | 0.3 | μs |

Receiver

| | | | | | | | |
|-------------------------|---------------------------------------|--|---|--|------|-----|---------------|
| t_{PHLR} , t_{PLHR} | Receiver Propagation Delay | $C_L = 150\text{pF}$ (Figure 3) | ● | | 0.2 | 0.4 | μs |
| t_{SKEWR} | Receiver Skew | $C_L = 150\text{pF}$ (Figure 3) | | | 50 | | ns |
| t_{RR} , t_{FR} | Receiver Rise or Fall Time | $C_L = 150\text{pF}$ (Figure 3) | ● | | 60 | 200 | ns |
| t_{PZHR} , t_{PZLR} | Shutdown to Receiver Output Enable | $PS = MODE = \uparrow$ or $ON/\overline{OFF} = \uparrow$, $R_L = 1\text{k}\Omega$, $C_L = 150\text{pF}$ (Figure 5) | ● | | 5 | 15 | μs |
| t_{PHZR} , t_{PLZR} | Receiver Output Disable upon Shutdown | $PS = MODE = \downarrow$ or $ON/\overline{OFF} = \downarrow$, $R_L = 1\text{k}\Omega$, $C_L = 150\text{pF}$ (Figure 5) | ● | | 0.15 | 0.3 | μs |

Power Supply Generator

| | | | | | | | |
|--|----------------------------------|-----------------|---|--|-----|---|----|
| | V_{DD}/V_{EE} Supply Rise Time | (Notes 3 and 4) | ● | | 0.2 | 2 | ms |
|--|----------------------------------|-----------------|---|--|-----|---|----|

Note 1: Stresses beyond those listed under Absolute Maximum Ratings may cause permanent damage to the device. Exposure to any Absolute Maximum Rating condition for extended periods may affect device reliability and lifetime.

Note 2: All currents into pins are positive; all voltages are referenced to GND unless otherwise specified.

Note 3: Guaranteed by other measured parameters and not tested directly.

Note 4: Time from $PS \uparrow$ or $ON/\overline{OFF} \uparrow$ until $V_{DD} \geq 5\text{V}$ and $V_{EE} \leq -5\text{V}$.

TEST CIRCUITS



$$SR(D) = \frac{6V}{t_{THL} \text{ or } t_{TLH}}$$



Figure 1. Driver Slew Rate Measurement



Figure 2. Driver Timing Measurement



Figure 3. Receiver Timing Measurement



Figure 4. Driver Enable/Disable Times

LTC2801/LTC2802/ LTC2803/LTC2804

TEST CIRCUITS



Figure 5. Receiver Enable/Disable Times

TYPICAL PERFORMANCE CHARACTERISTICS $T_A = 25^\circ\text{C}$, $V_{CC} = V_L = 3.3\text{V}$ unless otherwise noted.

LTC2803 at 1.8V and 250kbps



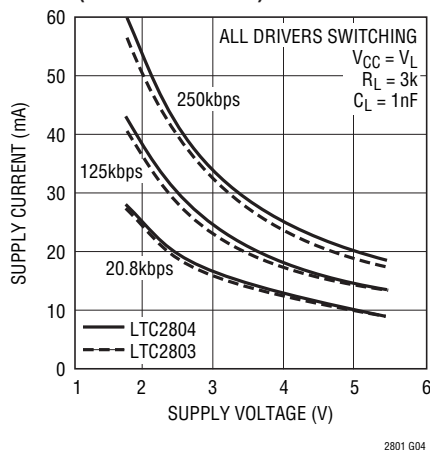
LTC2804 at 1.8V and 1Mbps



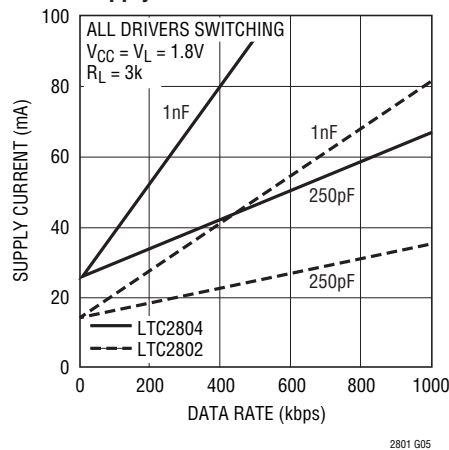
Drivers Disabled Mode Supply Current vs Supply Voltage



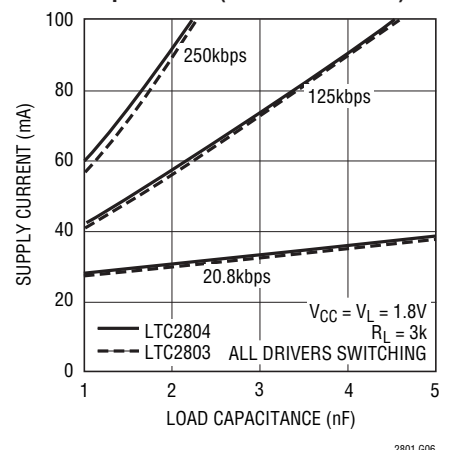
Supply Current vs Supply Voltage (Dual Transceiver)



Supply Current vs Data Rate



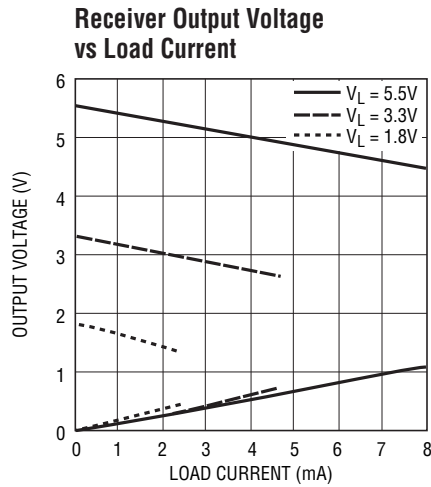
Supply Current vs Load Capacitance (Dual Transceiver)



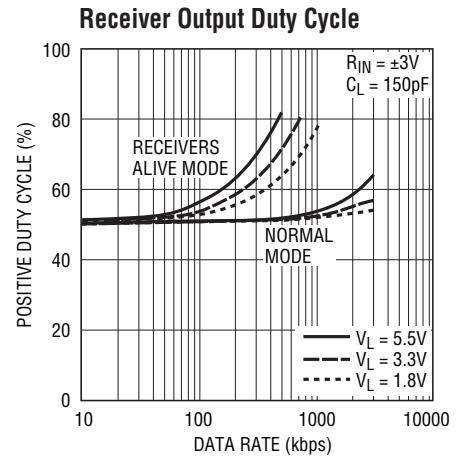
TYPICAL PERFORMANCE CHARACTERISTICS $T_A = 25^\circ\text{C}$, $V_{CC} = V_L = 3.3\text{V}$ unless otherwise noted.



2801 G07



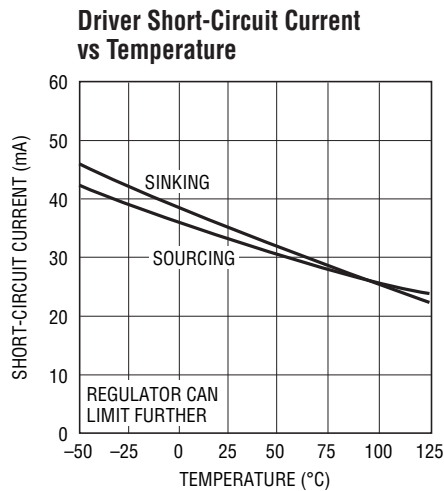
2801 G08



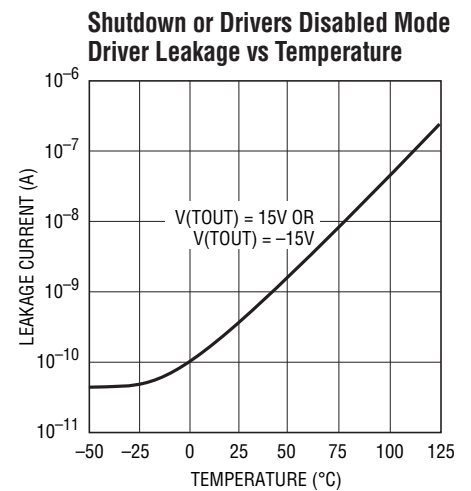
2801 G09



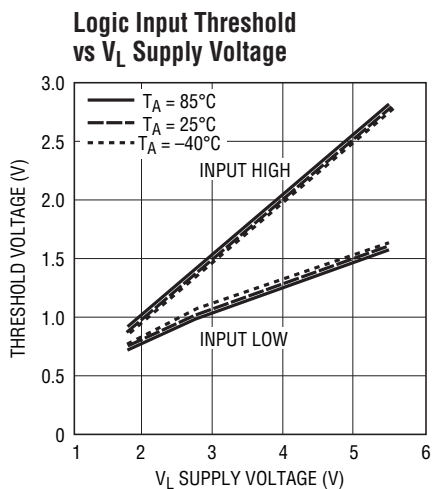
2801 G10



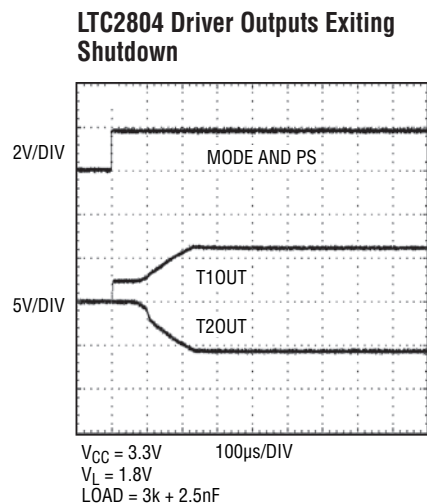
2801 G11



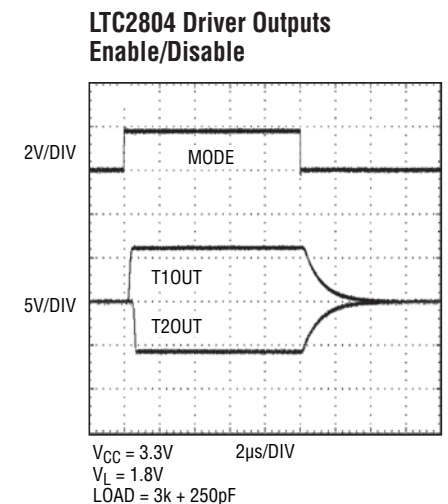
2801 G12



2801 G13



2801 G14



2801 G15

2801234fe

LTC2801/LTC2802/ LTC2803/LTC2804

PIN FUNCTIONS

| PIN NAME | PIN NUMBER | | | COMMENTS |
|-----------------------------|--------------|--------------|------------------|---|
| | 2801 2802 | 2803 2804 | 2803-1 2804-1 | |
| V _{CC} | 3 | 5 | 5 | Input Supply (1.8V-5.5V). Bypass to GND with a 1μF capacitor. |
| V _{DD} | 4 | 6 | 6 | Generated Positive Supply Voltage for RS-232 Driver (7V). Connect a 1μF capacitor between V _{DD} and GND. |
| V _{EE} | 13* | 17* | 9 | Generated Negative Supply Voltage for RS-232 Driver (–6.3V). Connect a 1μF capacitor between V _{EE} and GND. |
| SW | 5 | 7 | 7 | Switch Pin. Connect a 10μH inductor between SW and V _{CC} . |
| GND | 6 | 8 | 8 | Ground. |
| CAP | 7 | 9 | 10 | Charge Pump Capacitor for Generated Negative Supply Voltage. Connect a 220nF capacitor between CAP and SW. |
| V _L | 10 | 12 | 12 | Logic Supply (1.8V-5.5V) for the receiver outputs, driver inputs, and control inputs. This pin should be bypassed to GND with a 220nF capacitor if it's not tied to V _{CC} . |
| TIN (T1IN, T2IN) | 11 | 14, 13 | 14, 13 | Driver Input(s), referenced to V _L . |
| TOUT (T1OUT, T2OUT) | 2 | 3, 4 | 3, 4 | RS-232 Driver Output(s). |
| RIN (R1IN, R2IN) | 1 | 1, 2 | 1, 2 | RS-232 Receiver Input(s). Includes internal 5kΩ termination resistor(s). |
| ROUT (R1OUT, R2OUT) | 12 | 16, 15 | 16, 15 | Receiver Output(s), referenced to V _L . Output is short-circuit protected to GND/V _{CC} /V _L , and is high impedance in Shutdown mode, allowing data line sharing. |
| PS | 8 | 10 | — | Power Supply control pin, referenced to V _L . Enables the integrated DC-DC converter. |
| MODE | 9 | 11 | — | Mode control pin, referenced to V _L . See Table 1 for functionality. |
| ON/ $\overline{\text{OFF}}$ | — | — | 11 | Transceiver enable pin, referenced to V _L . A logic low puts the device in Shutdown mode and places both driver and receiver outputs in a high impedance state. |

*Backside thermal pad

MODE CONTROL

Table 1. LTC2801, LTC2802, LTC2803, LTC2804

| MODE NAME | PS | MODE | RECEIVER OUTPUT(S) | DC-DC | DRIVER OUTPUT(S) | I _{VCC} * | I _{VL} * |
|--------------------|----|------|--------------------|-------|------------------|--------------------|-------------------|
| SHUTDOWN | L | L | HI-Z | OFF | HI-Z | 1μA | 1μA |
| RECEIVER(S) ACTIVE | L | H | ON | OFF | HI-Z | 1μA | 15μA |
| DRIVER(S) DISABLED | H | L | ON | ON | HI-Z | 2.1mA | 80μA OR 150μA |
| NORMAL | H | H | ON | ON | ON | 2.3mA | 80μA OR 150μA |

Table 2. LTC2803-1, LTC2804-1

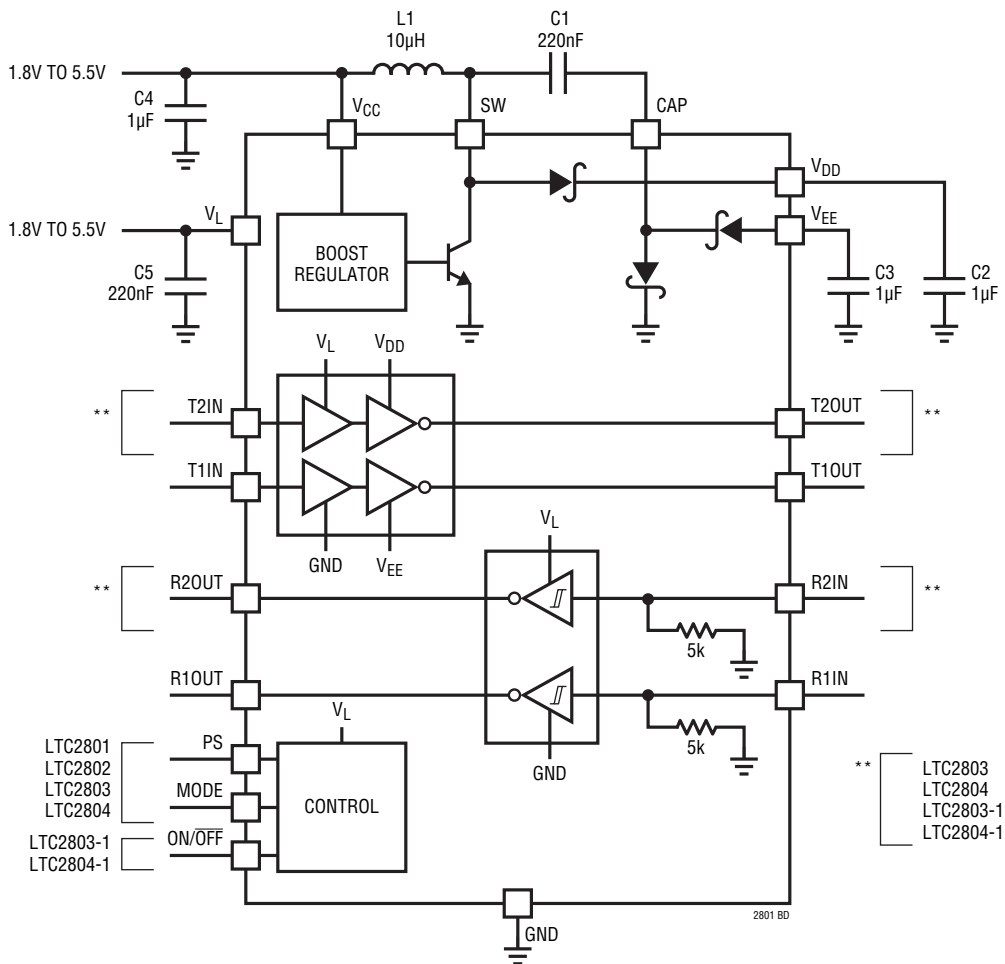
| MODE NAME | ON/ $\overline{\text{OFF}}$ | RECEIVER OUTPUTS | DC-DC | DRIVER OUTPUTS | I _{VCC} * | I _{VL} * |
|-----------|-----------------------------|------------------|-------|----------------|--------------------|-------------------|
| SHUTDOWN | L | HI-Z | OFF | HI-Z | 1μA | 1μA |
| NORMAL | H | ON | ON | ON | 2.3mA | 150μA |

*Typical currents for static drivers. Normal mode currents are for unloaded outputs.

FEATURE SUMMARY

| FEATURE | 2801 | 2802 | 2803 | 2803-1 | 2804 | 2804-1 |
|--|--------|--------|--------|---------|--------|---------|
| DRIVERS and RECEIVERS | 1 + 1 | 1 + 1 | 2 + 2 | 2 + 2 | 2 + 2 | 2 + 2 |
| PACKAGE | DFN-12 | DFN-12 | DFN-16 | SSOP-16 | DFN-16 | SSOP-16 |
| 1.8V - 5.5V OPERATION | ● | ● | ● | ● | ● | ● |
| 1.8V - 5.5V LOGIC SUPPLY (V_L) | ● | ● | ● | ● | ● | ● |
| SHUTDOWN ($1\mu\text{A}$) | ● | ● | ● | ● | ● | ● |
| RECEIVER(S) ACTIVE ($15\mu\text{A}$) | ● | ● | ● | ● | ● | ● |
| DRIVER(S) DISABLE | ● | ● | ● | ● | ● | ● |
| 100kb/s for $R_L = 3\text{k}\Omega$, $C_L = 2.5\text{nF}$ | ● | ● | ● | ● | ● | ● |
| 250kb/s for $R_L = 3\text{k}\Omega$, $C_L = 1\text{nF}$ | ● | ● | ● | ● | ● | ● |
| 1Mb/s for $R_L = 3\text{k}\Omega$, $C_L = 250\text{pF}$ | ● | ● | ● | ● | ● | ● |

BLOCK DIAGRAM



APPLICATIONS INFORMATION

Overview

The LTC2801 family of RS-232 transceivers operates on a V_{CC} supply of 1.8V to 5.5V, utilizing a switching regulator to generate the necessary higher voltage rails for the drivers. The transceivers interface with logic operating on any supply from 1.8V to 5.5V, independent of the V_{CC} voltage. Depending on the device, one or two control pins are available to invoke Shutdown, Receiver Active and Driver Disable features.

DC-DC Converter

The on-chip DC-DC converter operates from the V_{CC} input, generating a 7V V_{DD} supply and a charge pumped $-6.3V$ V_{EE} supply, as shown in Figure 6. V_{DD} and V_{EE} power the output stage of the drivers and are regulated to levels that guarantee greater than $\pm 5V$ output swing. The DC-DC converter requires a $10\mu H$ inductor ($L1$) and a bypass capacitor ($C4$) of at least $1\mu F$. The recommended size for the charge pump capacitor ($C1$) is $220nF$ and for the storage capacitors ($C2$ and $C3$) is $1\mu F$. Larger storage capacitors up to $4.7\mu F$ may be used if $C1$ is kept at 20% to 50% their size and $C4$ is also scaled. Locate $C1$ - $C4$ close to their associated pins.



Figure 6. DC/DC Converter and Recommended Bypassing

V_L Logic Supply

A separate logic supply pin V_L allows the LTC2801 family to interface with any logic signal from 1.8V to 5.5V, as shown in Figure 7. Simply connect the desired logic supply to V_L . There is no interdependency between V_{CC} and V_L ; they may simultaneously operate at any voltage from 1.8V to 5.5V and sequence in any order. If V_L is powered separately from V_{CC} , bypass V_L with a $220nF$ capacitor ($C5$).

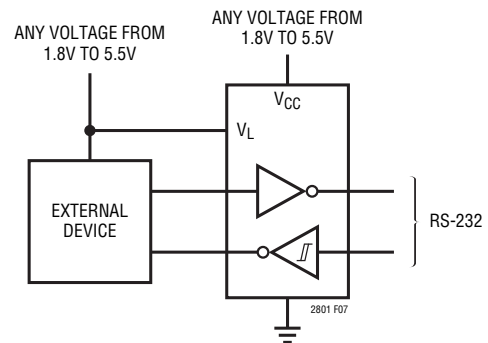


Figure 7. V_{CC} and V_L Are Independent

Power-Saving Modes

When the DC-DC converter and drivers are turned off (PS and MODE or ON/OFF = logic low), V_{CC} supply current is reduced to $1\mu A$. Tables 1 and 2 summarize the modes for each device.

In Shutdown mode, V_L supply current is reduced to $1\mu A$, and both receiver and driver outputs assume a high impedance state.

In Receivers Active mode, the quiescent V_L supply current is reduced to $15\mu A$ and the driver outputs assume a high impedance state. The receivers operate at a reduced rate (typically 100 kbps) with hysteresis turned off.

Half-Duplex Operation

When the DC-DC converter is kept on (PS = logic high), MODE serves as a low-latency driver enable for half-duplex operation. Each driver is enabled and disabled in less than $2\mu s$, while each receiver remains continuously active. This mode of operation is illustrated in Figures 15-17.

Battery Operation

To maximize battery life, connect V_{CC} (and $L1$) directly to the unregulated battery voltage and V_L to the regulated supply, as shown in Figure 22. This configuration typically minimizes conversion loss while providing compatibility with system logic levels.

Inductor Selection

A $10\mu H$ inductor with a saturation current (I_{SAT}) rating of at least 200mA and low DCR (copper wire resistance) is recommended. Some small inductors meeting these requirements are listed in Table 3.

APPLICATIONS INFORMATION

Table 3. Recommended Inductors

| PART NUMBER | I _{SAT} (mA) | MAX DCR (Ω) | SIZE (mm) | MANUFACTURER |
|----------------|-----------------------|-------------|----------------|--------------------------------|
| LQH2MCN100K02L | 225 | 1.2 | 2 × 1.6 × 0.95 | Murata www.murata.com |
| LBC2016T100K | 245 | 0.85 | 2 × 1.6 × 1.6 | Taiyo Yuden www.t-yuden.com |
| FSLB2520-100K | 220 | 1.1 | 2.5 × 2 × 1.6 | Toko www.tokoam.com |

Capacitor Selection

The small size of ceramic capacitors makes them ideal for the LTC2801 family. X5R and X7R (preferred) types are recommended because their ESR is low and they retain their capacitance over relatively wide voltage and temperature ranges. Use a voltage rating of at least 10V.

Table 4. Recommended Ceramic Capacitor Manufacturers

| MANUFACTURER | URL |
|--------------|-----------------|
| Murata | www.murata.com |
| TDK | www.tdk.com |
| Taiyo Yuden | www.t-yuden.com |
| AVX | www.avxcorp.com |
| Kemet | www.kemet.com |

Inrush Current and Supply Overshoot Precaution

In certain applications, such as battery-operated and wall-adaptor devices, fast supply slew rates are generated when power is connected. If V_{CC}'s voltage is greater than 4.5V and its rise time is faster than 10μs, the pins V_{DD} and SW can exceed their ABS MAX values during start-up. When supply voltage is applied to V_{CC}, the voltage difference between V_{CC} and V_{DD} generates inrush current



Figure 8. Supply Overshoot Protection for Input Supplies of 4.5V or Higher

flowing through inductor L1 and capacitors C1, C2. The peak inrush current must not exceed 2A. To avoid this condition, add a 1Ω resistor as shown in Figure 8. This precaution is not relevant for supply voltages below 4.5V or rise times longer than 10μs.

Board Layout

The board layout should minimize the length and area of the SW and CAP traces. Suggested compact layouts for the LTC2801 family are shown in Figure 9 (a) and (b).



Figure 9. Recommended Board Layouts for (a) Single and (b) Dual Transceiver Parts

TYPICAL APPLICATIONS



Figure 10. Power-Saving Receivers-Active Mode



Figure 11. Cellphone Peripheral Interface



Figure 12. 1.8V Microprocessor Interface

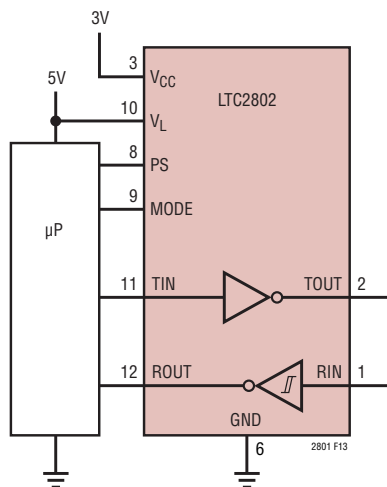


Figure 13. 5V Microprocessor Interface



Figure 14. Power-Saving Shutdown Mode



Figure 15. Half-Duplex on Single Line, Separate ROUT, TIN



Figure 16. Half-Duplex on Single Line

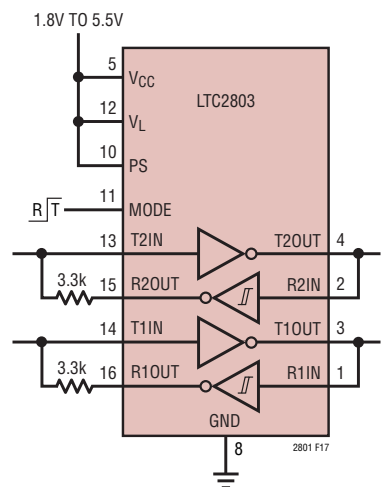


Figure 17. Half-Duplex Dual Transceiver

TYPICAL APPLICATIONS



| DATA RATE (kbps) | C _L (nF) | LTC2803 | LTC2804 |
|------------------|---------------------|---------|---------|
| 100 | 5 | X | X |
| 250 | 2 | X | X |
| 1000 | 0.5 | X | X |

Figure 18. Driving Larger Loads

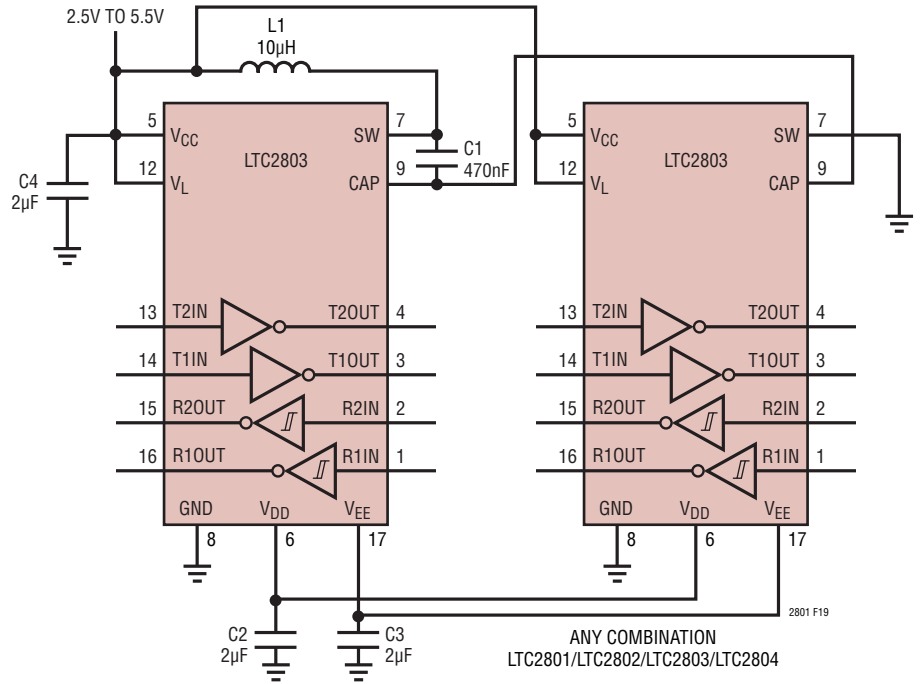


Figure 19. Quad Transceiver ($2.5V < V_{CC} < 5.5V$)



- NOTES:
1. NO L1 OR C2-C4 NEEDED.
 2. RECEIVERS ACTIVE MODE SHOWN HAS NO DC HYSTERESIS.
 3. SEE DUTY CYCLE GRAPH IN TYPICAL PERFORMANCE SECTION.

Figure 20. 100kbps Dual Inverting Level Translator ($I_L = 15\mu A$ Static)



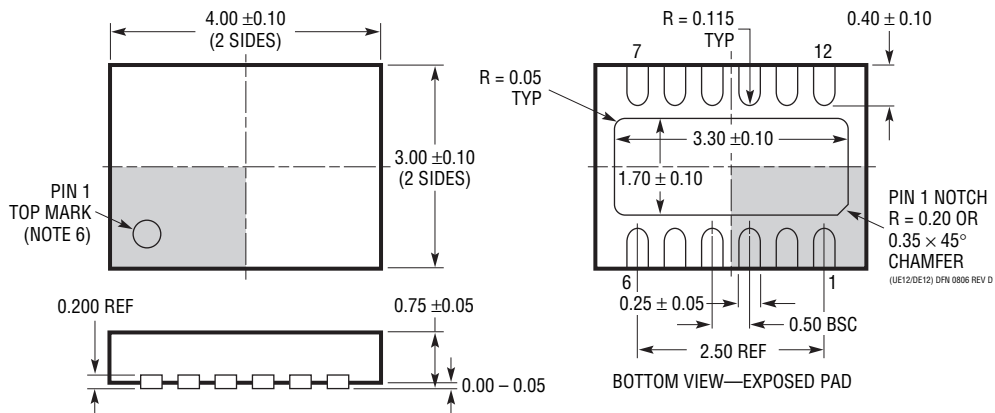
Figure 21. Typical SW Pin Waveforms

PACKAGE DESCRIPTION

DE/UE Package
12-Lead Plastic DFN (4mm × 3mm)
(Reference LTC DWG # 05-08-1695 Rev D)



RECOMMENDED SOLDER PAD PITCH AND DIMENSIONS
APPLY SOLDER MASK TO AREAS THAT ARE NOT SOLDERED

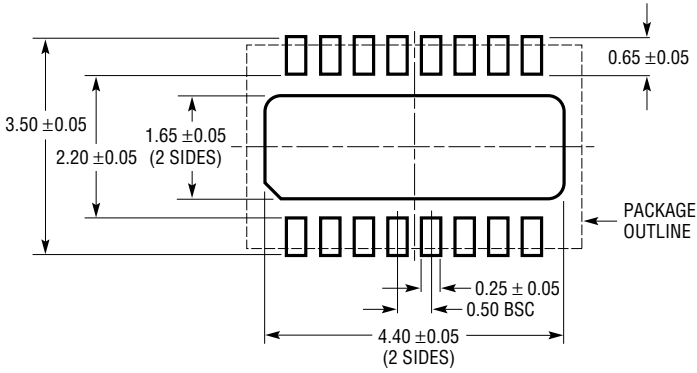


NOTE:

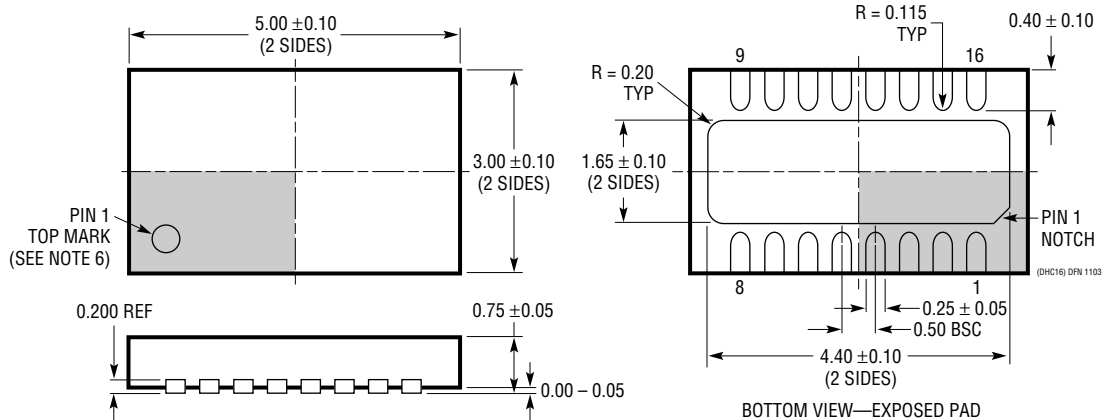
1. DRAWING PROPOSED TO BE A VARIATION OF VERSION (WGED) IN JEDEC PACKAGE OUTLINE M0-229
2. DRAWING NOT TO SCALE
3. ALL DIMENSIONS ARE IN MILLIMETERS
4. DIMENSIONS OF EXPOSED PAD ON BOTTOM OF PACKAGE DO NOT INCLUDE MOLD FLASH. MOLD FLASH, IF PRESENT, SHALL NOT EXCEED 0.15mm ON ANY SIDE
5. EXPOSED PAD SHALL BE SOLDER PLATED
6. SHADED AREA IS ONLY A REFERENCE FOR PIN 1 LOCATION ON THE TOP AND BOTTOM OF PACKAGE

PACKAGE DESCRIPTION

DHC Package
16-Lead Plastic DFN (5mm × 3mm)
(Reference LTC DWG # 05-08-1706)



RECOMMENDED SOLDER PAD PITCH AND DIMENSIONS



NOTE:

- DRAWING PROPOSED TO BE MADE VARIATION OF VERSION (WJED-1) IN JEDEC PACKAGE OUTLINE MO-229
- DRAWING NOT TO SCALE
- ALL DIMENSIONS ARE IN MILLIMETERS
- DIMENSIONS OF EXPOSED PAD ON BOTTOM OF PACKAGE DO NOT INCLUDE MOLD FLASH. MOLD FLASH, IF PRESENT, SHALL NOT EXCEED 0.15mm ON ANY SIDE
- EXPOSED PAD SHALL BE SOLDER PLATED
- SHADED AREA IS ONLY A REFERENCE FOR PIN 1 LOCATION ON THE TOP AND BOTTOM OF PACKAGE

PACKAGE DESCRIPTION

GN Package
16-Lead Plastic SSOP (Narrow .150 Inch)
(Reference LTC DWG # 05-08-1641)



NOTE:

1. CONTROLLING DIMENSION: INCHES
2. DIMENSIONS ARE IN $\frac{\text{INCHES}}{\text{MILLIMETERS}}$
3. DRAWING NOT TO SCALE

*DIMENSION DOES NOT INCLUDE MOLD FLASH. MOLD FLASH SHALL NOT EXCEED 0.006" (0.152mm) PER SIDE

**DIMENSION DOES NOT INCLUDE INTERLEAD FLASH. INTERLEAD FLASH SHALL NOT EXCEED 0.010" (0.254mm) PER SIDE

REVISION HISTORY (Revision history begins at Rev E)

| REV | DATE | DESCRIPTION | PAGE NUMBER |
|-----|------|---|-------------|
| E | 5/10 | Replaced Product Selection Guide | 1 |
| | | Labeled packages with appropriate part numbers in Pin Configuration section | 2 |
| | | Changed title of Table 1 in Mode Control section | 8 |
| | | Updated Feature Summary section | 9 |
| | | Revised first sentence of Power Saving Modes section | 10 |

TYPICAL APPLICATION

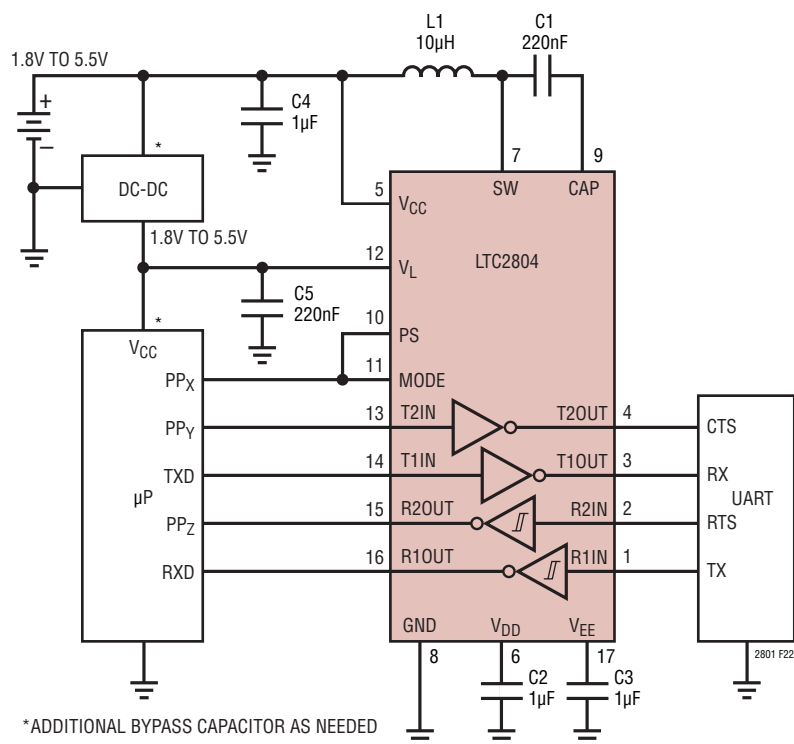


Figure 22. Diagnostic Port Operating Directly Off Unregulated Battery Voltage

RELATED PARTS

| PART NUMBER | DESCRIPTION | COMMENTS |
|------------------|---------------------------------------|--|
| LT1780/LT1781 | 2-Driver/2-Receiver RS232 Transceiver | Single 5V Supply with 0.1µF Capacitors, 15kV ESD |
| LTC1337 | 3-Driver/5-Receiver RS232 Transceiver | Ultralow Power for DTE Applications |
| LTC1338 | 5-Driver/3-Receiver RS232 Transceiver | Ultralow Power for DCE Applications |
| LT1039/LT1039-16 | 3-Driver/3-Receiver RS232 Transceiver | 30kΩ Input Impedance for Multidrop Applications |
| LTC1348 | 3-Driver/5-Receiver RS232 Transceiver | True RS232 Levels on 3.3V Supply |



Стандарт Электрон Связь

Мы молодая и активно развивающаяся компания в области поставок электронных компонентов. Мы поставляем электронные компоненты отечественного и импортного производства напрямую от производителей и с крупнейших складов мира.

Благодаря сотрудничеству с мировыми поставщиками мы осуществляем комплексные и плановые поставки широчайшего спектра электронных компонентов.

Собственная эффективная логистика и склад в обеспечивает надежную поставку продукции в точно указанные сроки по всей России.

Мы осуществляем техническую поддержку нашим клиентам и предпродажную проверку качества продукции. На все поставляемые продукты мы предоставляем гарантию .

Осуществляем поставки продукции под контролем ВП МО РФ на предприятия военно-промышленного комплекса России , а также работаем в рамках 275 ФЗ с открытием отдельных счетов в уполномоченном банке. Система менеджмента качества компании соответствует требованиям ГОСТ ISO 9001.

Минимальные сроки поставки, гибкие цены, неограниченный ассортимент и индивидуальный подход к клиентам являются основой для выстраивания долгосрочного и эффективного сотрудничества с предприятиями радиоэлектронной промышленности, предприятиями ВПК и научно-исследовательскими институтами России.

С нами вы становитесь еще успешнее!

Наши контакты:

Телефон: +7 812 627 14 35

Электронная почта: sales@st-electron.ru

Адрес: 198099, Санкт-Петербург,
Промышленная ул, дом № 19, литера Н,
помещение 100-Н Офис 331