

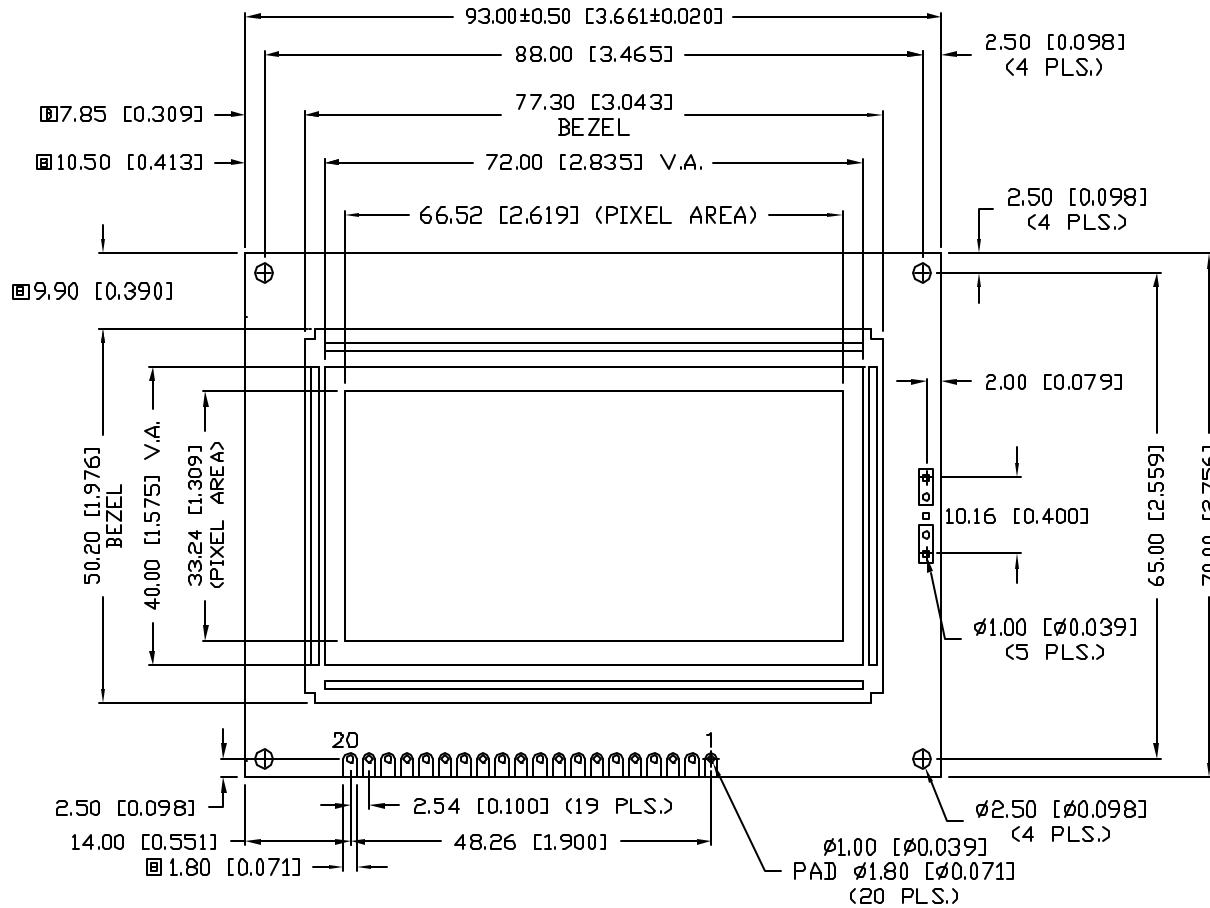
UNCONTROLLED DOCUMENT

| | | |
|---------------|--|------|
| PART NUMBER | | REV. |
| LCM-X12864GXX | | B |

| REV. | E.C.N. NUMBER AND REVISION COMMENTS | DATE |
|------|-------------------------------------|---------|
| A | E.C.N. #10BRDR. & REDRAWN. | 9.1.98 |
| B | E.C.N. #11227. | 3.15.05 |

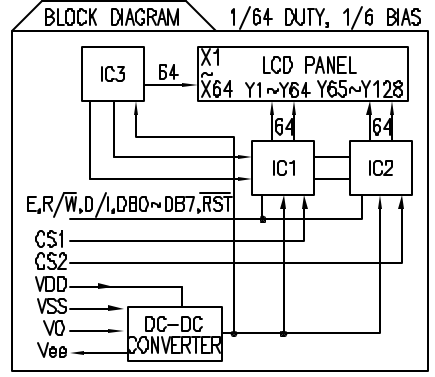
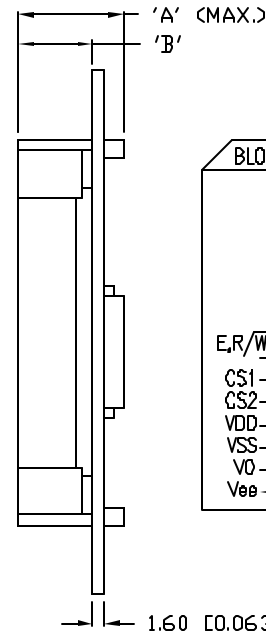
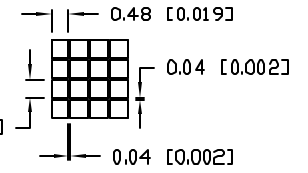
| LCM-X | DXX | DESCRIPTION |
|------------|-----|-------------------------------------|
| STANDARD | S | SR STN, REFLECTIVE |
| HIGH TEMP. | H | SF STN, TRANSFLECTIVE(W/ BACKLIGHT) |

CAUTION: STATIC SENSITIVE DEVICE
FOLLOW PROPER E.S.D. HANDLING PROCEDURES
WHEN WORKING WITH THIS PART.



| TYPE | DIM. | A | B |
|----------------|------|-----|---|
| WITH BACKLIGHT | 12.7 | 8.7 | |
| NO BACKLIGHT | 8.8 | 4.8 | |

PIXEL DETAIL



UNCONTROLLED DOCUMENT

*UNLESS OTHERWISE SPECIFIED TOLERANCES PER DECIMAL PRECISION ARE: X=±1 (±0.039), XX=±0.5 (±0.020), XXX=±0.25 (±0.010), XXXX=±0.127 (±0.005). LEAD SIZE=±0.05 (±0.002), LEAD LENGTH=±0.75 (±0.030). MIN.= +DECIMAL PRECISION -0.00 MAX.= +0.00 -DECIMAL PRECISION

| | |
|------|---------------|
| REV. | PART NUMBER |
| B | LCM-X12864GXX |

CONFIDENTIAL INFORMATION
THE INFORMATION CONTAINED IN THIS DOCUMENT IS THE PROPERTY OF LUMEX INC. EXCEPT AS SPECIFICALLY AUTHORIZED IN WRITING BY LUMEX INC., THE HOLDER OF THIS DOCUMENT SHALL KEEP ALL INFORMATION CONTAINED HEREIN CONFIDENTIAL AND SHALL PROTECT SAME IN WHOLE OR IN PART FROM DISCLOSURE AND DISSEMINATION TO ALL THIRD PARTIES.



290 E. HELEN ROAD
PALATINE, IL 60067-6976
PHONE: +1.847.359.2790
US WEB: www.lumex.com
TW WEB: www.lumex.com.tw

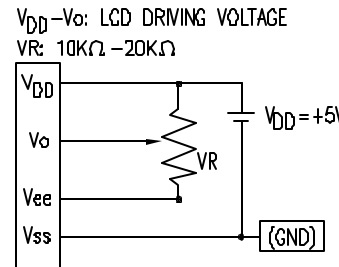
128 x 64 DOT MATRIX GRAPHIC MODULE,
1/64 DUTY, 1/6 BIAS, WITH NEGATIVE CHARGE PUMP.

RELIABILITY NOTE
OUR MANY YEARS OF EXPERIENCE DATA ACCUMULATION INDICATE THAT SOLDER HEAT IS A MAJOR CAUSE OF EARLY AND FUTURE FAILURE. PLEASE PAY ATTENTION TO YOUR SOLDERING PROCESS.

| | | | |
|-----------|-------------|--------------|--------------|
| DRAWN BY: | CHECKED BY: | APPROVED BY: | DATE: |
| JD | | | 3.15.05 |
| | | | PAGE: 1 OF 1 |
| | | | SCALE: N/A |

| REV. | E.C.N. NUMBER AND REVISION COMMENTS | DATE |
|------|-------------------------------------|---------|
| A | E.C.N. #10BRDR. & REDRAWN. | 9.1.98 |
| B | E.C.N. #11227. | 3.15.05 |

| PIN CONFIGURATION | | | |
|-------------------|-----------------|--------|---|
| PIN NO. | SYMBOL | LEVEL | FUNCTION |
| 1 | V _{SS} | - | POWER SUPPLY GND (0V) 5V FOR LCD DRIVE |
| 2 | V _{DD} | - | |
| 3 | V _b | - | |
| 4 | D/I | H/L | REGISTER SELECT SIGNAL H: DATA INPUT L: INSTRUCTION INPUT |
| 5 | R/W | H/L | H: DATA READ (MODULE-->MPU) L: DATA WRITE (MODULE<<-MPU) |
| 6 | E | H,H->L | ENABLE |
| 7~14 | DB0~DB7 | H/L | DATA BUS |
| 15 | CS1 | H/L | CHIP SELECTION SIGNAL FOR IC1 |
| 16 | CS2 | H/L | CHIP SELECTION SIGNAL FOR IC2 |
| 17 | RST | - | RESET SIGNAL (ACTIVE "LOW") |
| 18 | V _{ee} | - | OUTPUT VOLTAGE FOR LCD DRIVING |
| 19 | A | - | ANODE LED BACKLIGHT |
| 20 | K | - | CATHODE LED BACKLIGHT |



| READ/WRITE TIMING FOR MPU INTERFACE | | | | |
|-------------------------------------|------------------|------|-----|------|
| PARAMETER | SYMBOL | MIN | MAX | UNIT |
| ADDRESS HOLD TIME | t _{AH} | 10 | - | ns |
| ADDRESS SETUP TIME | t _{AS} | 140 | - | ns |
| E CYCLE TIME | t _{CYC} | 1000 | - | ns |
| E HIGH LEVEL WIDTH | t _{WEH} | 450 | - | ns |
| E LOW LEVEL WIDTH | t _{WEL} | 450 | - | ns |
| DATA SETUP TIME | t _{DSW} | 200 | - | ns |
| DATA HOLD TIME (READ) | t _{DHR} | 20 | - | ns |
| DATA DELAY TIME | t _{DDR} | - | 320 | ns |
| DATA HOLD TIME (WRITE) | t _{DHW} | 10 | - | ns |
| E RISE TIME | t _R | - | 25 | ns |
| E FALL TIME | t _F | - | 25 | ns |

| ELECTRICAL CHARACTERISTICS | | V _{DD} =4.75V to 5.25V, T _A =25°C | | | | | |
|----------------------------|----------------------------------|---|-----------------------|---------------------|---------------------|------|-------------------|
| ITEM | SYMBOL | CONDITION | STANDARD VALUE | | | UNIT | |
| | | | MIN. | TYP. | MAX. | | |
| SUPPLY VOLTAGE FOR LOGIC | V _{DD} -V _{SS} | - | 4.75 | 5.0 | 5.25 | V | |
| SUPPLY CURRENT FOR LOGIC | I _{DD} | V _{DD} =5V | - | 8.0 | - | mA | |
| INPUT VOLTAGE | HIGH | V _{IH} | - | 0.7*V _{DD} | V _{DD} | V | |
| | LOW | V _{IL} | 0 | - | 0.3*V _{DD} | V | |
| *LED BACKLIGHT | VOLTAGE | V _f | I _f =300mA | - | 4.2 | 4.5 | V |
| | CURRENT | I _f | - | - | 300 | - | mA |
| | POWER CONSUMPTION | P _D | - | - | 1260 | - | mW |
| | LUMINOUS | L | I _f =300mA | 60 | 90 | - | cd/m ² |
| COLOR | - | - | - | - | - | nm | |

*ONLY APPLIES TO MODULES WITH BACKLIGHT

| ABSOLUTE MAXIMUM RATINGS | | | | | |
|------------------------------|----------------------------------|----------------------|-----------------|-----------------|------|
| ITEM | SYMBOL | TEST CONDITION | STANDARD VALUE | | UNIT |
| | | | MIN | MAX | |
| SUPPLY VOLTAGE FOR LOGIC | V _{DD} -V _{SS} | T _a =25°C | - | 7.0 | V |
| SUPPLY VOLTAGE FOR LCD DRIVE | V _{DD} -V _o | - | 10.8@40°C | 12.4@0°C | V |
| INPUT VOLTAGE | V _I | T _a =25°C | V _{SS} | V _{DD} | V |
| OPERATING TEMPERATURE | T _{opr} | LCM-S | 0 | 50 | °C |
| | | LCM-H | -20 | 70 | °C |
| STORAGE TEMPERATURE | T _{stg} | LCM-S | -20 | 70 | °C |
| | | LCM-H | -30 | 85 | °C |

*UNLESS OTHERWISE SPECIFIED TOLERANCES PER DECIMAL PRECISION ARE: X=±1 (±0.039), XX=±0.5 (±0.020), XXX=±0.25 (±0.010), XXXX=±0.127 (±0.005). LEAD SIZE=±0.05 (±0.002), LEAD LENGTH=±0.75 (±0.030). MIN.=+DECIMAL PRECISION -0.00, MAX.=+0.00 -DECIMAL PRECISION

| | |
|--|------------------------------|
| REV. B | PART NUMBER LCM-X12864GXX |
| 128 x 64 DOT MATRIX GRAPHIC MODULE, 1/64 DUTY, 1/6 BIAS, WITH NEGATIVE CHARGE PUMP. | |

CONFIDENTIAL INFORMATION
THE INFORMATION CONTAINED IN THIS DOCUMENT IS THE PROPERTY OF LUMEX INC. EXCEPT AS SPECIFICALLY AUTHORIZED IN WRITING BY LUMEX INC., THE HOLDER OF THIS DOCUMENT SHALL KEEP ALL INFORMATION CONTAINED HEREIN CONFIDENTIAL AND SHALL PROTECT SAME IN WHOLE OR IN PART FROM DISCLOSURE AND DISSEMINATION TO ALL THIRD PARTIES.

RELIABILITY NOTE
OUR MANY YEARS OF EXPERIENCE DATA ACCUMULATION INDICATE THAT SOLDER HEAT IS A MAJOR CAUSE OF EARLY AND FUTURE FAILURE. PLEASE PAY ATTENTION TO YOUR SOLDERING PROCESS.



290 E. HELEN ROAD
PALATINE, IL 60067-6976
PHONE: +1.847.359.2790
US WEB: www.lumex.com
TW WEB: www.lumex.com.tw

| | | | |
|-----------------|-------------|--------------|---------------|
| DRAWN BY: JD | CHECKED BY: | APPROVED BY: | DATE: 3.15.05 |
| | | | PAGE: 1 OF 1 |
| | | | SCALE: N/A |



**Стандарт
Электрон
Связь**

Мы молодая и активно развивающаяся компания в области поставок электронных компонентов. Мы поставляем электронные компоненты отечественного и импортного производства напрямую от производителей и с крупнейших складов мира.

Благодаря сотрудничеству с мировыми поставщиками мы осуществляем комплексные и плановые поставки широчайшего спектра электронных компонентов.

Собственная эффективная логистика и склад в обеспечивает надежную поставку продукции в точно указанные сроки по всей России.

Мы осуществляем техническую поддержку нашим клиентам и предпродажную проверку качества продукции. На все поставляемые продукты мы предоставляем гарантию .

Осуществляем поставки продукции под контролем ВП МО РФ на предприятия военно-промышленного комплекса России , а также работаем в рамках 275 ФЗ с открытием отдельных счетов в уполномоченном банке. Система менеджмента качества компании соответствует требованиям ГОСТ ISO 9001.

Минимальные сроки поставки, гибкие цены, неограниченный ассортимент и индивидуальный подход к клиентам являются основой для выстраивания долгосрочного и эффективного сотрудничества с предприятиями радиоэлектронной промышленности, предприятиями ВПК и научно-исследовательскими институтами России.

С нами вы становитесь еще успешнее!

Наши контакты:

Телефон: +7 812 627 14 35

Электронная почта: sales@st-electron.ru

Адрес: 198099, Санкт-Петербург,
Промышленная ул, дом № 19, литера Н,
помещение 100-Н Офис 331