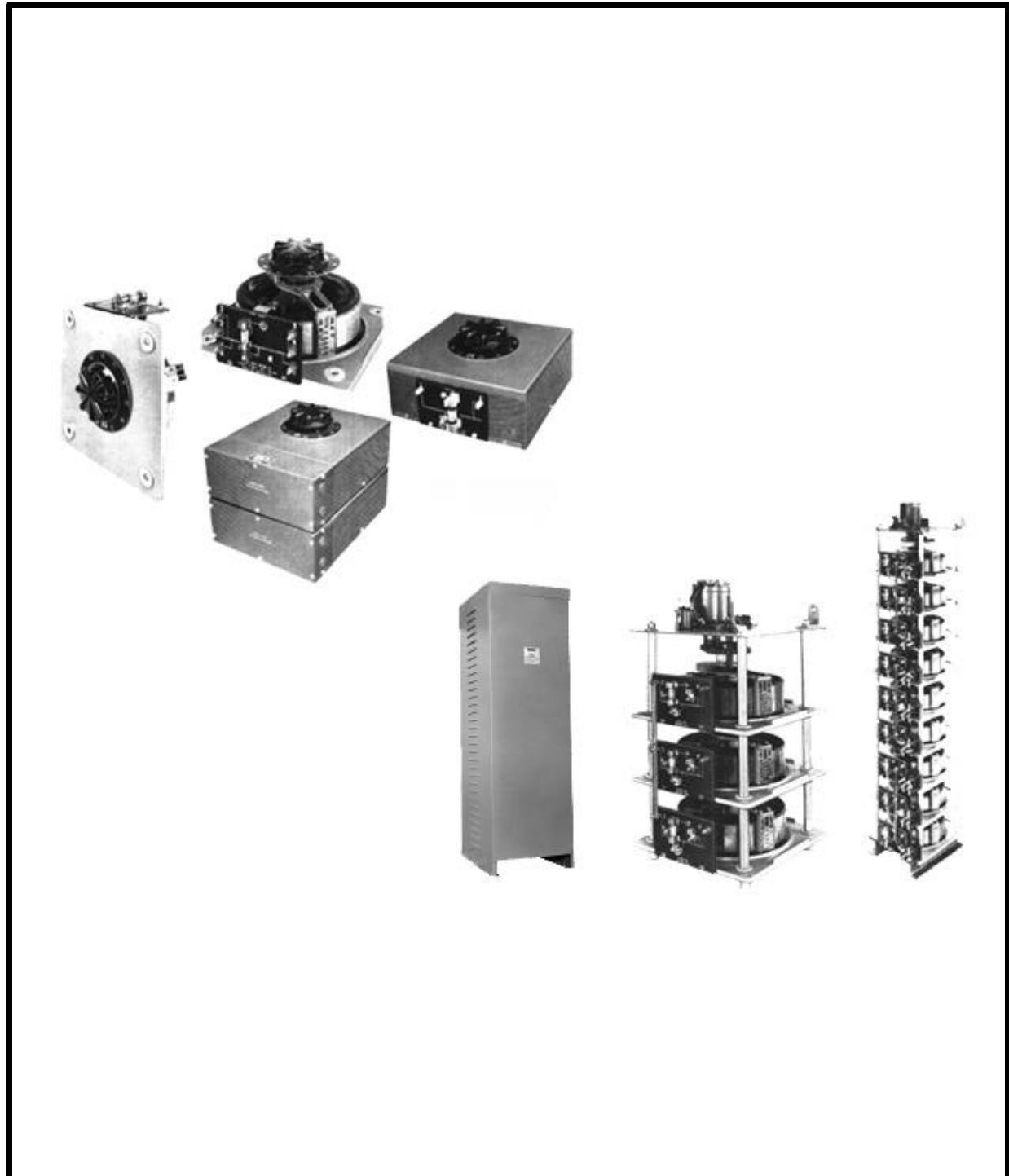


**Variable Transformers
Series 5000 • 28.0 to 252.0 Amperes**



5000 Series

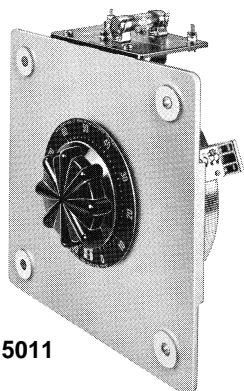
The 5011/5021 Series Variable transformers are designed to control large KVA requirements. The 5011 operates on 120 volts and is rated for constant current of 50 amperes. The 5021 operates on 240 volts and constant current of 28 amperes. The 5011 Series units have coil tapping arrangements allowing output voltage from 0-117% of line voltage, while the 5021 Series allows output voltage from 0 to line voltage or 17% above line voltage. They can be operated at frequencies between 50 and 400 Hertz with a rating at higher than rated frequency.

Adjustable shaft design on manually operated models permits back-of-panel or bench mounting. Terminals are 1/4" screw type. For single and two ganged units, case styles are available in either "C" style, which encloses only the coil, or the "CT" style,

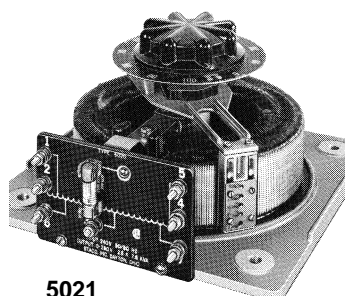
which provides protective housing for both the coil and terminal board. Knockouts are provided in the terminal board housing to accommodate conduit or cable connections. For three ganged and above, we offer our Nema 1, dripproof, fully front accessible "E" enclosure.

Motor-driven models are available from single thru 27 ganged assemblies; cased or uncased (identified with the prefix "M" in the part number). The synchronous motor is designed for operation on 120 volt, 50/60 Hertz, single phase lines and draws approximately 0.3 amperes. To meet a wide range of application requirements, standard motor speeds of 5, 15, 30 and 60 seconds are available depending upon the size of the variable transformer.

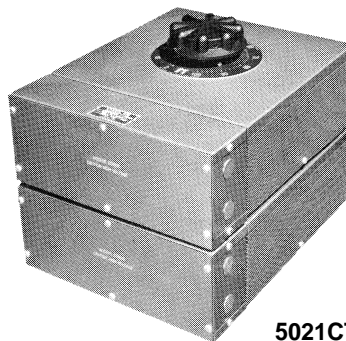
| PART NUMBER | | WIRING | INPUT | | OUTPUT | | | SHAFT ROTATION FOR VOLTAGE INCREASE | TERMINAL CONNECTIONS For Increasing Voltage As Viewed from Rotor End | | SCHE-MATIC (Pg 8 & 9) | NET WEIGHT IN LBS. (MAX) | |
|----------------------------------|-------------------------------------|---------------------------|-------|-------|--------|--------------|---------|-------------------------------------|--|--------|--------------------------|--------------------------------|--------------|
| MANUALLY OPERATED | MOTOR DRIVEN | | VOLTS | HERTZ | VOLTS | MAX AMPS | MAX KVA | | INPUT | OUTPUT | | MAN-UAL | MOTOR DRIVEN |
| 5011 5011C 5011CT | M5011 M5011C M5011CT | Single Phase | 120 | 50/60 | 0-140 | 50 | 7.0 | CW | 1-2 | 1-3 | 18 | 57 | 78 |
| 5021 5021C 5021CT | M5021 M5021C M5021CT | Single Phase | 240 | 50/60 | 0-240 | 28 | 6.7 | CW | 2-4 | 2-3 | 19 | 57 | 78 |
| | | | | | 0-280 | 28 | 7.8 | CCW | 4-2 | 4-3 | | | |
| | | | 120 | 50/60 | 0-280 | 28*-12 VD | 3.4‡ | CCW | 2-5 | 2-3 | | | |
| 5011-2D 5011C-2D 5011CT-2D | M5011-2D M5011C-2D M5011CT-2D | Three Phase Open Delta | 120 | 50/60 | 0-140 | 50 | 12.1 | CW | 2-1-2 | 3-1-3 | 20 & 5 | 134 | 155 |
| 5011-2P 5011C-2P 5011CT-2P | M5011-2P M5011C-2P M5011CT-2P | Single Phase Parallel | 120 | 50/60 | 0-140 | 100 | 14.0 | CW | 1-2 | 1-B | 21 | 136 | 157 |
| 5011-2S 5011C-2S 5011CT-2S | M5011-2S M5011C-2S M5011CT-2S | Single Phase Series | 240 | 50/60 | 0-280 | 50 | 14.0 | CW | 2-2 | 3-3 | 20 & 4 | 134 | 155 |
| 5021-2D 5021C-2D 5021CT-2D | M5021-2D M5021C-2D M5021CT-2D | Three Phase Open Delta | 240 | 50/60 | 0-240 | 28 | 11.6 | CW | 4-1-4 | 3-1-3 | 20 & 5 | 134 | 155 |
| | | | | | 0-280 | 28 | 13.6 | CW | 2-1-2 | 3-1-3 | | | |
| 5021-2P 5021C-2P 5021CT-2P | M5021-2P M5021C-2P M5021CT-2P | Single Phase Parallel | 240 | 50/60 | 0-240 | 56 | 13.4 | CW | 1-4 | 1-B | 21 | 136 | 157 |
| | | | | | 0-280 | 56 | 15.7 | CW | 1-2 | 1-B | | | |
| 5021-2S 5021C-2S 5021CT-2S | M5021-2S M5021C-2S M5021CT-2S | Single Phase Series | 480 | 50/60 | 0-480 | 28 | 13.5 | CW | 4-4 | 3-3 | 20 & 4 | 134 | 155 |
| | | | | | 0-560 | 28 | 15.7 | CW | 2-2 | 3-3 | | | |
| 5011-3P 5011E-3P | M5011-3P M5011E-3P | Single Phase Parallel | 120 | 50/60 | 0-140 | 150 | 21.0 | CW | 1-2 | 1-D | 22 | 216 | 237 |
| 5011-3Y 5011E-3Y | M5011-3Y M5011E-3Y | Three Phase Wye | 240 | 60 | 0-280 | 50 | 24.2 | CW | 2-2-2 | 3-3-3 | 20 & 6 | 212 | 233 |



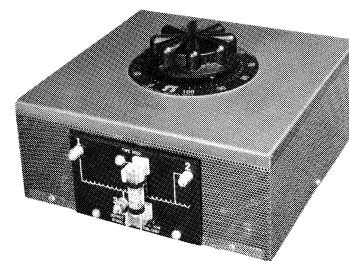
5011



5021

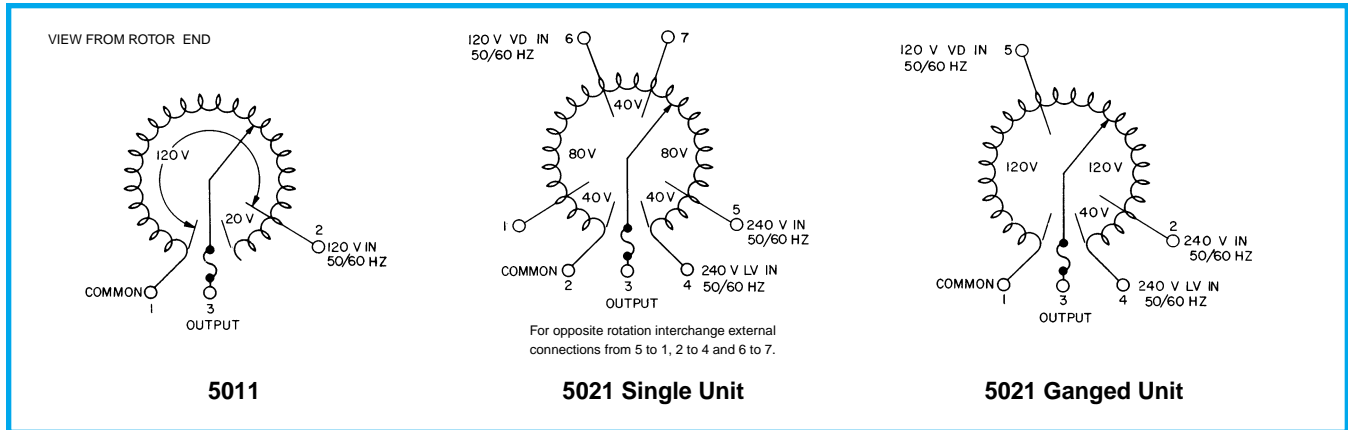


5021CT-2



5011C

5000 Series



| PART NUMBER | | WIRING | INPUT | | OUTPUT | | | SHAFT ROTATION FOR VOLTAGE INCREASE | TERMINAL CONNECTIONS For Increasing Voltage As Viewed from Rotor End | | SCHEMATIC (Pg 8 & 9) | NET WEIGHT IN LBS. (MAX) | |
|-----------------------|-------------------------|------------------------------|-------|-------|--------|-----------------|---------|-------------------------------------|--|--------|----------------------|--------------------------|--------------|
| MANUALLY OPERATED | MOTOR DRIVEN | | VOLTS | HERTZ | VOLTS | MAX AMPS | MAX KVA | | INPUT | OUTPUT | | MANUAL | MOTOR DRIVEN |
| 5021-3P 5021E-3P | M5021-3P M5021E-3P | Single Phase Parallel | 240 | 50/60 | 0-240 | 84 | 20.2 | CW | 1-4 | 1-D | 22 | 216 | 237 |
| | | | | | 0-280 | 84 | 23.5 | CW | 1-2 | 1-D | | | |
| 5021-3Y 5021E-3Y | M5021-3Y M5021E-3Y | Three Phase Wye | 480 | 50/60 | 0-480 | 28 | 23.3 | CW | 4-4-4 | 3-3-3 | 20 & 6 | 212 | 233 |
| | | | | 60 | 0-560 | 28 | 27.2 | CW | 2-2-2 | 3-3-3 | | | |
| | | | 240 | 60 | 0-560 | 28* 12 V.D. | 11.8‡ | CW | 5-5-5 | 3-3-3 | | | |
| 5011-4D 5011E-4D | M5011-4D M5011E-4D | Three Phase Open Delta | 120 | 50/60 | 0-140 | 100 | 24.2 | CW | 2-1-2 | B-1-B | 21 & 5 | 314 | 335 |
| 5011-4P 5011E-4P | M5011-4P M5011E-4P | Single Phase Parallel | 120 | 50/60 | 0-140 | 200 | 28.0 | CW | 1-2 | 1-D | 22 | 316 | 337 |
| 5011-4PS 5011E-4PS | M5011-4PS M5011E-4PS | Single Phase Series Parallel | 240 | 50/60 | 0-280 | 100 | 28.0 | CW | 2-2 | B-B | 21 & 4 | 314 | 335 |
| 5021-4D 5021E-4D | M5021-4D M5021E-4D | Three Phase Open Delta | 240 | 50/60 | 0-240 | 56 | 23.3 | CW | 4-1-4 | B-1-B | 21 & 5 | 314 | 335 |
| | | | | | 0-280 | 56 | 27.2 | CW | 2-1-2 | B-1-B | | | |
| | | | 120 | 50/60 | 0-280 | 56* 24 V.D. | 11.8‡ | CW | 5-1-5 | B-1-B | | | |
| 5021-4P 5021E-4P | M5021-4P M5021E-4P | Single Phase Parallel | 240 | 50/60 | 0-240 | 112 | 26.9 | CW | 1-4 | 1-D | 22 | 316 | 337 |
| | | | | | 0-280 | 112 | 31.4 | CW | 1-2 | 1-D | | | |
| | | | 120 | 50/60 | 0-280 | 112* 48 V.D. | 13.5‡ | CW | 1-5 | 1-D | | | |
| 5021-4PS 5021E-4PS | M5021-4PS M5021E-4PS | Single Phase Series | 480 | 50/60 | 0-480 | 56 | 26.9 | CW | 4-4 | B-B | 21 & 4 | 314 | 335 |
| | | | | | 0-560 | 56 | 31.4 | CW | 2-2 | B-B | | | |
| | | | 240 | 50/60 | 0-560 | 56* 24 V.D. | 13.5‡ | CW | 5-5 | B-B | | | |
| 5011-5P 5011E-5P | M5011-5P M5011E-5P | Single Phase Parallel | 120 | 50/60 | 0-140 | 250 | 35.0 | CW | 1-2 | 1-D | 22 | 400 | 420 |
| 5011-6D 5011E-6D | M5011-6D M5011E-6D | Three Phase Open Delta | 120 | 50/60 | 0-140 | 150 | 36.4 | CW | 2-1-2 | D-1-D | 22 & 5 | 481 | 502 |
| 5011-6P 5011E-6P | M5011-6P M5011E-6P | Single Phase Parallel | 120 | 50/60 | 0-140 | 300 | 42.0 | CW | 1-2 | 1-D | 22 | 483 | 504 |
| 5011-6PS 5011E-6PS | M5011-6PS M5011E-6PS | Single Phase Series Parallel | 240 | 50/60 | 0-280 | 150 | 42.0 | CW | 2-2 | D-D | 22 & 4 | 481 | 502 |
| 5011-6Y 5011E-6Y | M5011-6Y M5011E-6Y | Three Phase Wye | 240 | 60 | 0-280 | 100 | 48.5 | CW | 2-2-2 | B-B-B | 21 & 6 | 479 | 500 |

5000 Series

| PART NUMBER | | WIRING | INPUT | | OUTPUT | | | SHAFT ROTATION FOR VOLTAGE INCREASE | TERMINAL CONNECTIONS For Increasing Voltage As Viewed from Rotor End | | SCHEMATIC (Pg 8 & 9) | NET WEIGHT IN LBS. (MAX) | |
|-------------------|---------------------------|------------------------------|-------|-------|--------|------------------|---------|-------------------------------------|--|--------|-------------------------|--------------------------------|--------------|
| MANUALLY OPERATED | MOTOR DRIVEN | | VOLTS | HERTZ | VOLTS | MAX AMPS | MAX KVA | | INPUT | OUTPUT | | MANUAL | MOTOR DRIVEN |
| — | M5021-10PS M5021E-10PS | Single Phase Series Parallel | 480 | 50/60 | 0-480 | 140 | 67.2 | CW | 4-4 | D-D | 22 & 4 | — | 812 |
| | | | | | 0-560 | 140 | 78.4 | CW | 2-2 | D-D | | | |
| | | | 240 | 50/60 | 0-560 | 140*60 V. D. | 33.6‡ | CW | 5-5 | D-D | | | |
| — | M5011-12D M5011E-12D | Three Phase Open Delta | 120 | 50/60 | 0-140 | 300 | 72.7 | CW | 2-1-2 | D-1-D | 22 & 5 | — | 940 |
| — | M5011-12PS M5011E-12PS | Single Phase Series Parallel | 240 | 50/60 | 0-280 | 300 | 84.0 | CW | 2-2 | D-D | 22 & 4 | — | 940 |
| — | M5021-12D M5021E-12D | Three Phase Open Delta | 240 | 50/60 | 0-240 | 168 | 69.8 | CW | 4-1-4 | D-1-D | 22 & 5 | — | 940 |
| | | | | | 0-280 | 168 | 81.5 | CW | 2-1-2 | D-1-D | | | |
| | | | 120 | 50/60 | 0-280 | 168*72 V. D. | 34.9‡ | CW | 5-1-5 | D-1-D | | | |
| — | M5021-12PS M5021E-12PS | Single Phase Series Parallel | 480 | 50/60 | 0-480 | 168 | 80.6 | CW | 4-4 | D-D | 22 & 4 | — | 940 |
| | | | | | 0-560 | 168 | 94.1 | CW | 2-2 | D-D | | | |
| | | | 240 | 50/60 | 0-560 | 168*72 V. D. | 40.3‡ | CW | 5-5 | D-D | | | |
| — | M5011-14D M5011E-14D | Three Phase Open Delta | 120 | 50/60 | 0-140 | 350 | 84.9 | CW | 2-1-2 | D-1-D | 22 & 5 | — | 1097 |
| — | M5011-14PS M5011E-14PS | Single Phase Series Parallel | 240 | 50/60 | 0-280 | 350 | 98.0 | CW | 2-2 | D-D | 22 & 4 | — | 1097 |
| — | M5021-14D M5021E-14D | Three Phase Open Delta | 240 | 50/60 | 0-240 | 196 | 81.5 | CW | 4-1-4 | D-1-D | 22 & 5 | — | 1097 |
| | | | | | 0-280 | 196 | 95.1 | CW | 2-1-2 | D-1-D | | | |
| | | | 120 | 50/60 | 0-280 | 196*84 V. D. | 40.8‡ | CW | 5-1-5 | D-1-D | | | |
| — | M5021-14PS M5021E-14PS | Single Phase Series Parallel | 480 | 50/60 | 0-480 | 196 | 94.1 | CW | 4-4 | D-D | 22 & 4 | — | 1097 |
| | | | | | 0-560 | 196 | 109.8 | CW | 2-2 | D-D | | | |
| | | | 240 | 50/60 | 0-560 | 196*84 V. D. | 47.1‡ | CW | 5-5 | D-D | | | |
| — | M5011-16D M5011E-16D | Three Phase Open Delta | 120 | 50/60 | 0-140 | 400 | 96.7 | CW | 2-1-2 | D-1-D | 22 & 5 | — | 1254 |
| — | M5011-16PS M5011E-16PS | Single Phase Series Parallel | 240 | 50/60 | 0-280 | 400 | 112.0 | CW | 2-2 | D-D | 22 & 4 | — | 1254 |
| — | M5021-16D M5021E-16D | Three Phase Open Delta | 240 | 50/60 | 0-240 | 224 | 93.1 | CW | 4-1-4 | D-1-D | 22 & 5 | — | 1254 |
| | | | | | 0-280 | 224 | 108.6 | CW | 2-1-2 | D-1-D | | | |
| | | | 120 | 50/60 | 0-280 | 224*96 V. D. | 46.6‡ | CW | 5-1-5 | D-1-D | | | |
| — | M5021-16PS M5021E-16PS | Single Phase Series Parallel | 480 | 50/60 | 0-480 | 224 | 107.5 | CW | 4-4 | D-D | 22 & 4 | — | 1254 |
| | | | | | 0-560 | 224 | 125.5 | CW | 2-2 | D-D | | | |
| | | | 240 | 50/60 | 0-560 | 224*96 V. D. | 53.8‡ | CW | 5-5 | D-D | | | |
| — | M5011-18D M5011E-18D | Three Phase Open Delta | 120 | 50/60 | 0-140 | 450 | 109.0 | CW | 2-1-2 | D-1-D | 22 & 5 | — | 1417 |
| — | M5011-18PS M5011E-18PS | Single Phase Series Parallel | 240 | 50/60 | 0-280 | 450 | 126.0 | CW | 2-2 | D-D | 22 & 4 | — | 1417 |
| — | M5021-18D M5021E-18D | Three Phase Open Delta | 240 | 50/60 | 0-240 | 252 | 104.5 | CW | 4-1-4 | D-1-D | 22 & 5 | — | 1417 |
| | | | | | 0-280 | 252 | 122.2 | CW | 2-1-2 | D-1-D | | | |
| | | | 120 | 50/60 | 0-280 | 252*108 V. D. | 52.5‡ | CW | 5-1-5 | D-1-D | | | |
| — | M5021-18PS M5021E-18PS | Single Phase Series Parallel | 480 | 50/60 | 0-480 | 252 | 121.0 | CW | 4-4 | D-D | 22 & 4 | — | 1417 |
| | | | | | 0-560 | 252 | 141.0 | CW | 2-2 | D-D | | | |
| | | | 240 | 50/60 | 0-560 | 252*108 V. D. | 60.5‡ | CW | 5-5 | D-D | | | |
| — | M5011-12Y M5011E-12Y | Three Phase Wye | 240 | 60 | 0-280 | 200 | 96.7 | CW | 2-2-2 | D-D-D | 22 & 6 | — | 942 |
| — | M5021-12Y M5021E-12Y | Three Phase Wye | 480 | 50/60 | 0-480 | 112 | 93.1 | CW | 4-4-4 | D-D-D | 22 & 6 | — | 942 |
| | | | | 60 | 0-560 | 112 | 108.6 | CW | 2-2-2 | D-D-D | | | |
| | | | 240 | 60 | 0-560 | 112*48 V. D. | 46.6‡ | CW | 5-5-5 | D-D-D | | | |

5000 Series

| PART NUMBER | | WIRING | INPUT | | OUTPUT | | | SHAFT ROTATION FOR VOLTAGE INCREASE | TERMINAL CONNECTIONS For Increasing Voltage As Viewed from Rotor End | | SCHE-MATIC (Pg 8 & 9) | NET WEIGHT IN LBS. (MAX) | |
|-------------------|-------------------------|-----------------|-------|-------|--------|-----------------|---------|-------------------------------------|--|--------|--------------------------|--------------------------------|--------------|
| MANUALLY OPERATED | MOTOR DRIVEN | | VOLTS | HERTZ | VOLTS | MAX AMPS | MAX KVA | | INPUT | OUTPUT | | MAN-UAL | MOTOR DRIVEN |
| — | M5011-15Y M5011E-15Y | Three Phase Wye | 240 | 60 | 0-280 | 250 | 121.0 | CW | 2-2-2 | D-D-D | 22 & 6 | — | 1179 |
| — | M5021-15Y M5021E-15Y | Three Phase Wye | 480 | 50/60 | 0-480 | 140 | 116.5 | CW | 4-4-4 | D-D-D | 22 & 6 | — | 1179 |
| | | | | 60 | 0-560 | 140 | 136.0 | CW | 2-2-2 | D-D-D | | | |
| | | | 240 | 60 | 0-560 | 140*60 V.D. | 58.2‡ | CW | 5-5-5 | D-D-D | | | |
| — | M5011-18Y M5011E-18Y | Three Phase Wye | 240 | 60 | 0-280 | 300 | 145.5 | CW | 2-2-2 | D-D-D | 22 & 6 | — | 1415 |
| — | M5021-18Y M5021E-18Y | Three Phase Wye | 480 | 50/60 | 0-480 | 168 | 139.5 | CW | 4-4-4 | D-D-D | 22 & 6 | — | 1415 |
| | | | | 60 | 0-560 | 168 | 163.3 | CW | 2-2-2 | D-D-D | | | |
| | | | 240 | 60 | 0-560 | 168*72 V.D. | 70.0‡ | CW | 5-5-5 | D-D-D | | | |
| — | M5011-21Y M5011E-21Y | Three Phase Wye | 240 | 60 | 0-280 | 350 | 169.5 | CW | 2-2-2 | D-D-D | 22 & 6 | — | 1654 |
| — | M5021-21Y M5021E-21Y | Three Phase Wye | 480 | 50/60 | 0-480 | 196 | 163.0 | CW | 4-4-4 | D-D-D | 22 & 6 | — | 1654 |
| | | | | 60 | 0-560 | 196 | 189.5 | CW | 2-2-2 | D-D-D | | | |
| | | | 240 | 60 | 0-560 | 196*84 V.D. | 82.0‡ | CW | 5-5-5 | D-D-D | | | |
| — | M5011-24Y M5011E-24Y | Three Phase Wye | 240 | 60 | 0-280 | 400 | 193.7 | CW | 2-2-2 | D-D-D | 22 & 5 | — | 1892 |
| — | M5021-24Y M5021E-24Y | Three Phase Wye | 480 | 50/60 | 0-480 | 224 | 186.5 | CW | 4-4-4 | D-D-D | 22 & 6 | — | 1892 |
| | | | | 60 | 0-560 | 224 | 217.8 | CW | 2-2-2 | D-D-D | | | |
| | | | 240 | 60 | 0-560 | 224*96 V.D. | 93.0‡ | CW | 5-5-5 | D-D-D | | | |
| — | M5011-27Y M5011E-27Y | Three Phase Wye | 240 | 60 | 0-280 | 450 | 218.4 | CW | 2-2-2 | D-D-D | 22 & 6 | — | 2131 |
| — | M5021-27Y M5021E-27Y | Three Phase Wye | 480 | 50/60 | 0-480 | 252 | 209.5 | CW | 4-4-4 | D-D-D | 22 & 6 | — | 2131 |
| | | | | 60 | 0-560 | 252 | 244.0 | CW | 2-2-2 | D-D-D | | | |
| | | | 240 | 60 | 0-560 | 252*108 V.D. | 105.0‡ | CW | 5-5-5 | D-D-D | | | |

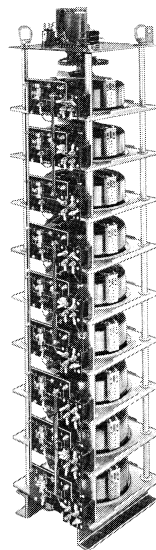
* Maximum output current in output voltage range from 0 to 25 percent above line voltage. At higher output voltages, output current must be reduced according to rating curve, Figure B, page 6.

‡ Maximum KVA at maximum output and corresponding de-rated current. Maximum KVA at lower output voltages may be calculated from derating curve. Figure B, page 6.

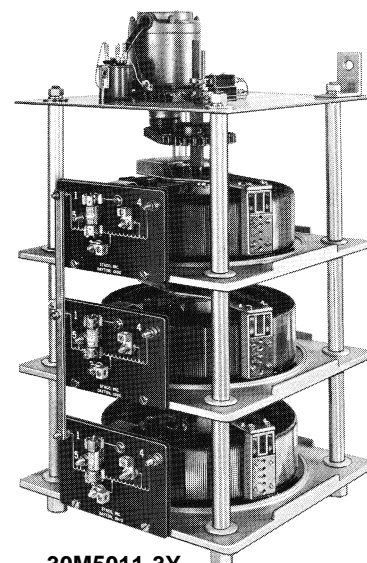
V. D. Voltage Doubler



**5000/6000 Series
Enclosed Unit**

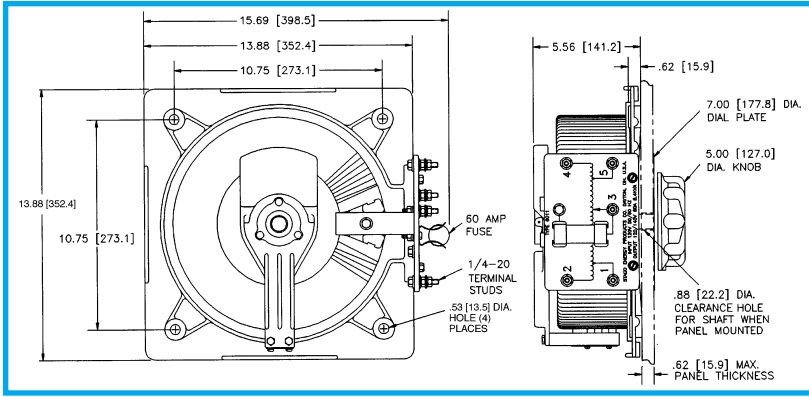


30M6020-9Y

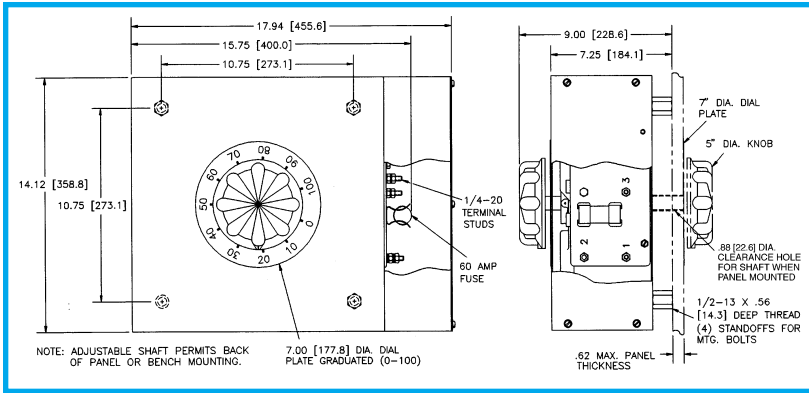


30M5011-3Y

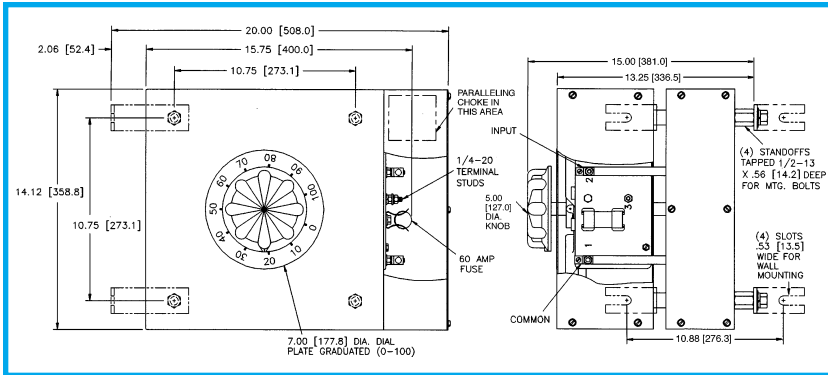
5000/6000 Series



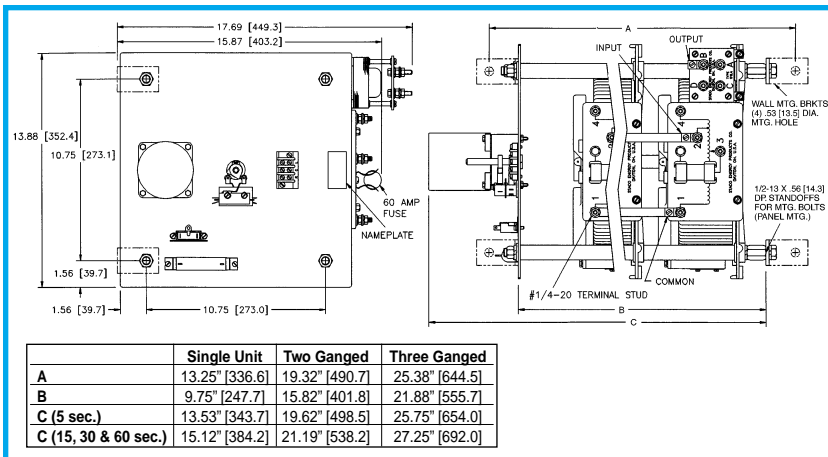
Manual Single, Uncased



Manual Single, Cased

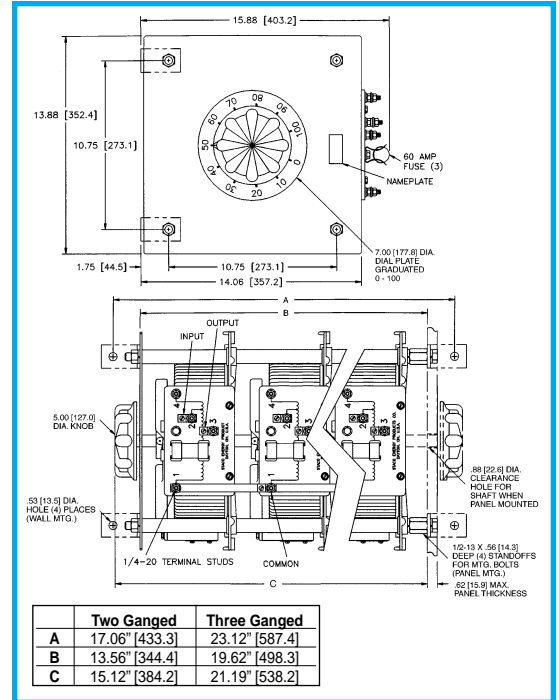


Manual Two-Ganged, Cased



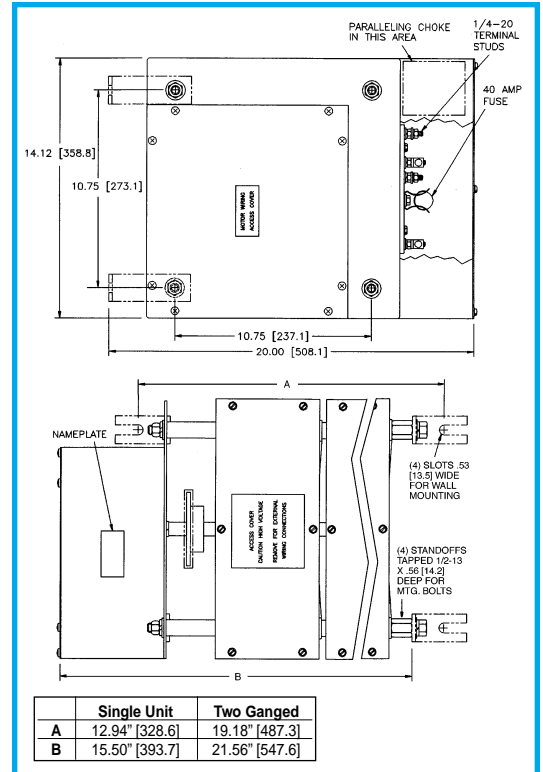
| | Single Unit | Two Ganged | Three Ganged |
|----------------------|----------------|----------------|----------------|
| A | 13.25" [336.6] | 19.32" [490.7] | 25.38" [644.5] |
| B | 9.75" [247.7] | 15.82" [401.8] | 21.88" [555.7] |
| C (5 sec.) | 13.53" [343.7] | 19.62" [498.5] | 25.75" [654.0] |
| C (15, 30 & 60 sec.) | 15.12" [384.2] | 21.19" [538.2] | 27.25" [692.0] |

Motor Driven, Single, Two and Three-Ganged, Uncased



| | Two Ganged | Three Ganged |
|---|----------------|----------------|
| A | 17.06" [433.3] | 23.12" [587.4] |
| B | 13.56" [344.4] | 19.62" [498.3] |
| C | 15.12" [384.2] | 21.19" [538.2] |

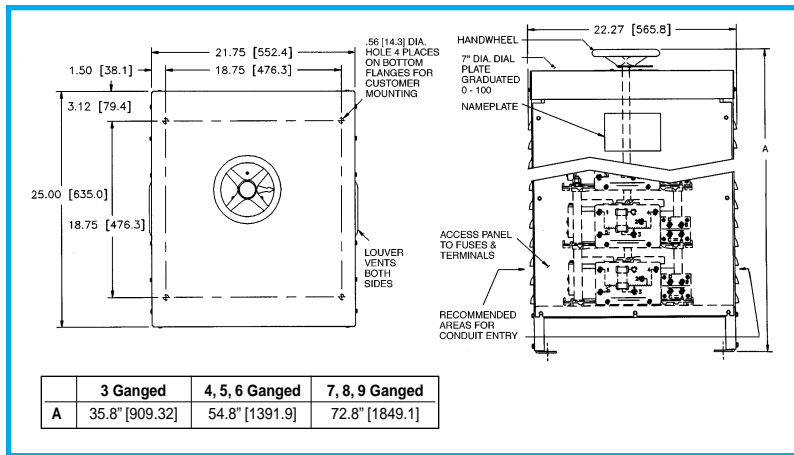
Manual Two and Three-Ganged, Uncased



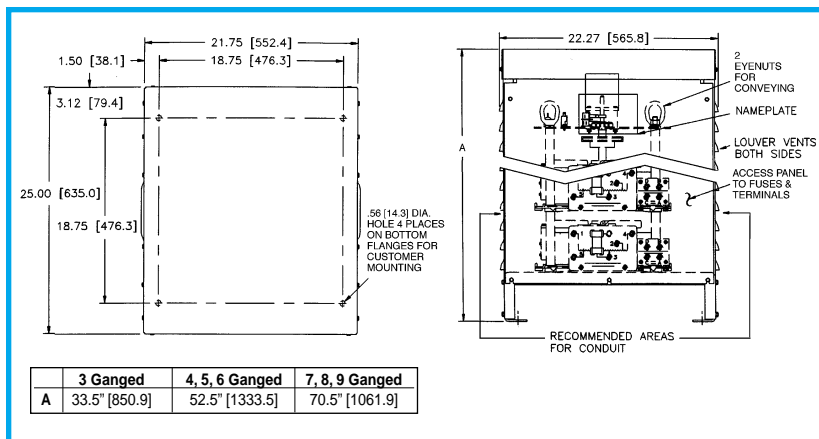
| | Single Unit | Two Ganged |
|---|----------------|----------------|
| A | 12.94" [328.6] | 19.18" [487.3] |
| B | 15.50" [393.7] | 21.56" [547.6] |

Motor Driven, Single and Two-Ganged, Cased

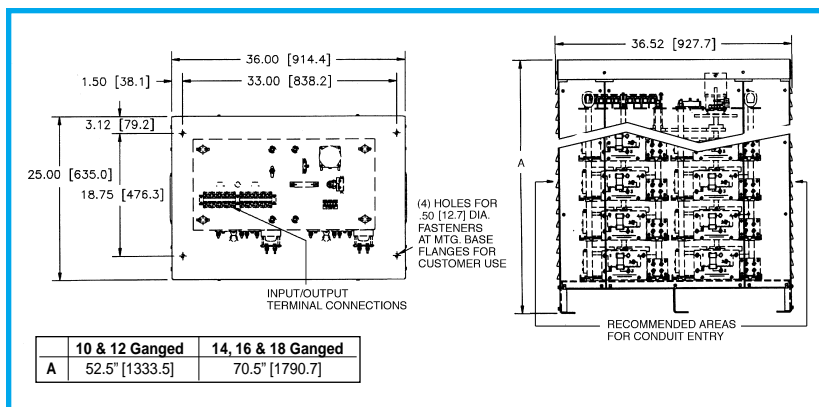
5000/6000 Series



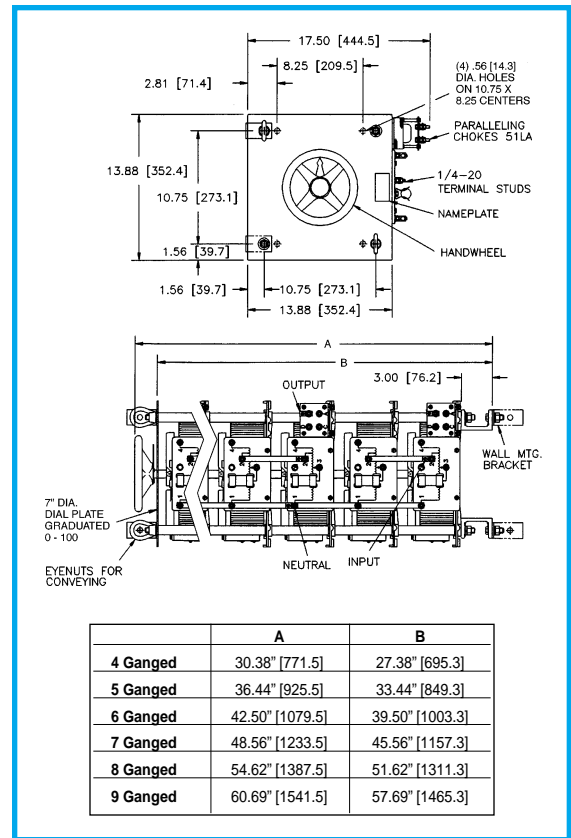
Manual Three to Nine-Ganged, Cased



Motor-Driven Three to Nine-Ganged, Cased



Motor-Driven 10, 12, 14, 16 & 18-Ganged Open Delta and Parallel, Cased

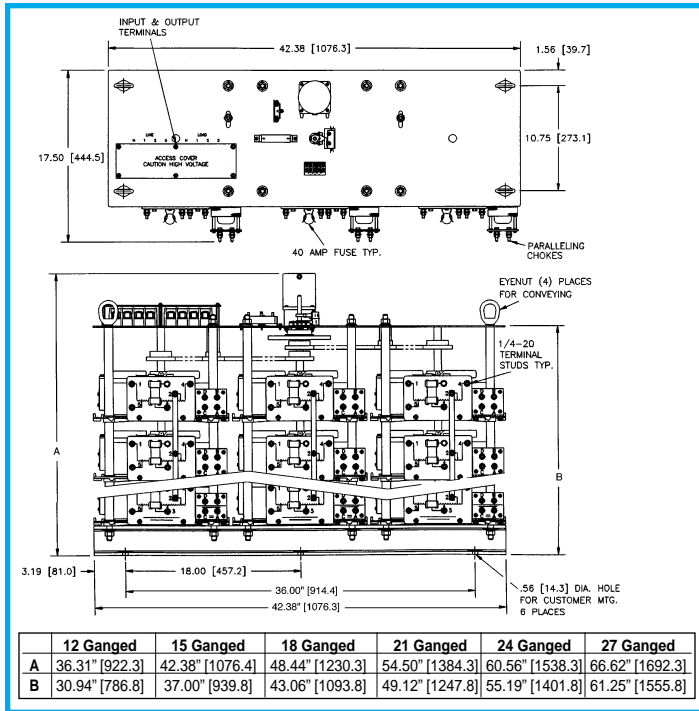


Manual Four to Nine-Ganged, Uncased

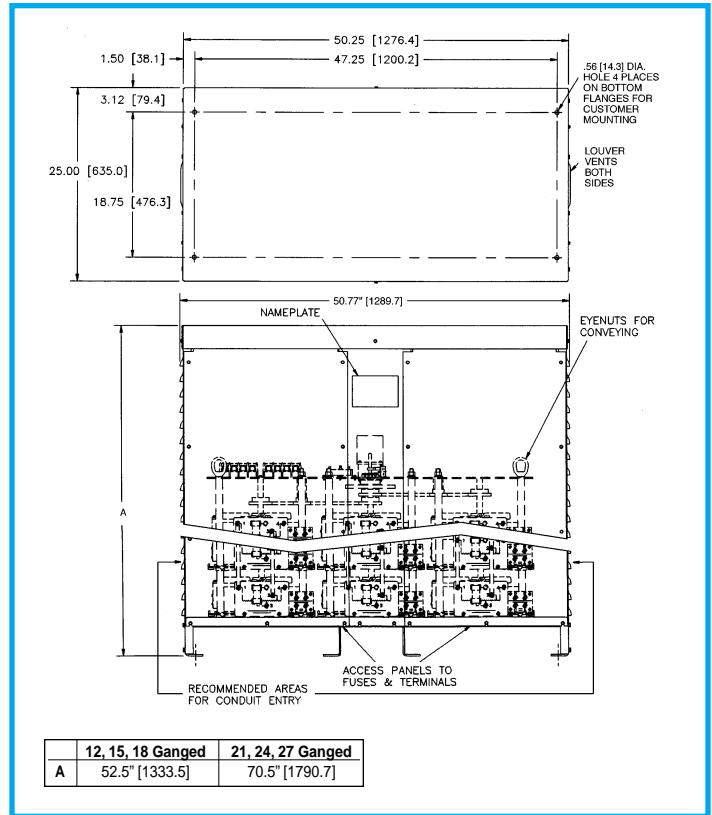


5021-3Y

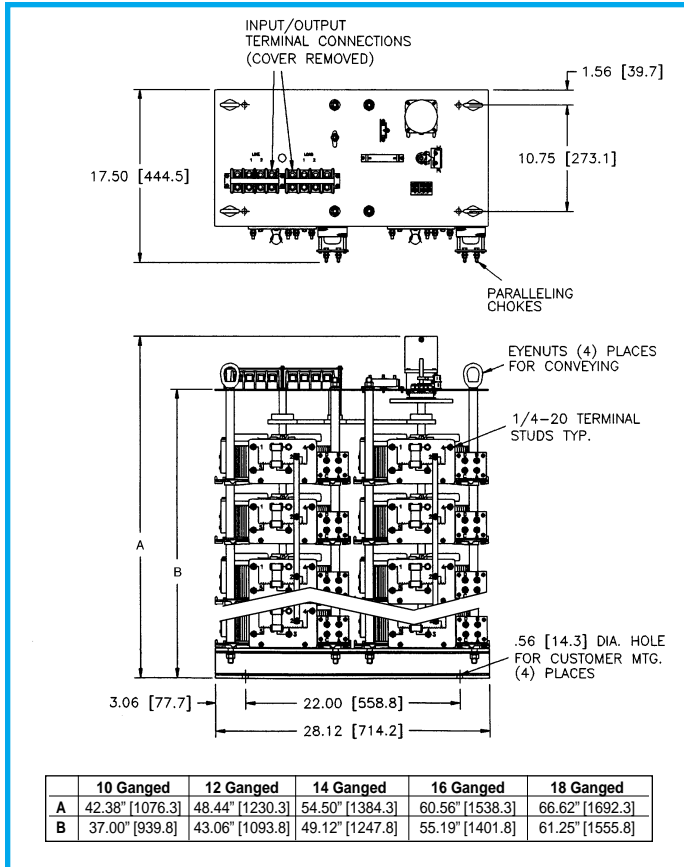
5000/6000 Series



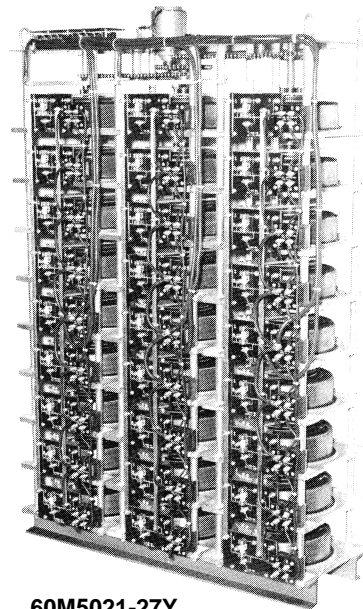
Motor-Driven 12, 15, 18, 21, 24 & 27-Ganged, Uncased



Motor-Driven 12, 15, 18, 21, 24 & 27-Ganged, Cased



Motor-Driven 10, 12, 14, 16 & 18-Ganged Open Delta & Parallel, Uncased



60M5021-27Y



Стандарт Электрон Связь

Мы молодая и активно развивающаяся компания в области поставок электронных компонентов. Мы поставляем электронные компоненты отечественного и импортного производства напрямую от производителей и с крупнейших складов мира.

Благодаря сотрудничеству с мировыми поставщиками мы осуществляем комплексные и плановые поставки широчайшего спектра электронных компонентов.

Собственная эффективная логистика и склад в обеспечивает надежную поставку продукции в точно указанные сроки по всей России.

Мы осуществляем техническую поддержку нашим клиентам и предпродажную проверку качества продукции. На все поставляемые продукты мы предоставляем гарантию .

Осуществляем поставки продукции под контролем ВП МО РФ на предприятия военно-промышленного комплекса России , а также работаем в рамках 275 ФЗ с открытием отдельных счетов в уполномоченном банке. Система менеджмента качества компании соответствует требованиям ГОСТ ISO 9001.

Минимальные сроки поставки, гибкие цены, неограниченный ассортимент и индивидуальный подход к клиентам являются основой для выстраивания долгосрочного и эффективного сотрудничества с предприятиями радиоэлектронной промышленности, предприятиями ВПК и научно-исследовательскими институтами России.

С нами вы становитесь еще успешнее!

Наши контакты:

Телефон: +7 812 627 14 35

Электронная почта: sales@st-electron.ru

Адрес: 198099, Санкт-Петербург,
Промышленная ул, дом № 19, литера Н,
помещение 100-Н Офис 331