

74HC373-Q100; 74HCT373-Q100

Octal D-type transparent latch; 3-state

Rev. 1 — 10 August 2012

Product data sheet

1. General description

The 74HC373-Q100; 74HCT373-Q100 is a high-speed Si-gate CMOS device and is pin compatible with Low-power Schottky TTL. It is specified in compliance with JEDEC standard no. 7A.

The 74HC373-Q100; 74HCT373-Q100 is an octal D-type transparent latch featuring separate D-type inputs for each latch and 3-state outputs for bus-oriented applications. A latch enable (LE) input and an output enable (\overline{OE}) input are common to all latches.

The 74HC373-Q100; 74HCT373-Q100 consists of eight D-type transparent latches with 3-state true outputs. When LE is HIGH, data at the Dn inputs enters the latches. In this condition the latches are transparent, i.e. a latch output changes state each time its corresponding D input changes.

When LE is LOW, the latches store the information that was present at the D inputs a set-up time preceding the HIGH-to-LOW transition of LE. When \overline{OE} is LOW, the contents of the 8 latches are available at the outputs. When \overline{OE} is HIGH, the outputs go to the high-impedance OFF-state. Operation of the \overline{OE} input does not affect the state of the latches.

The 74HC373-Q100; 74HCT373-Q100 is functionally identical to:

- 74HC573-Q100; 74HCT573-Q100: but different pin arrangement

This product has been qualified to the Automotive Electronics Council (AEC) standard Q100 (Grade 1) and is suitable for use in automotive applications.

2. Features and benefits

- Automotive product qualification in accordance with AEC-Q100 (Grade 1)
 - ◆ Specified from $-40\text{ }^{\circ}\text{C}$ to $+85\text{ }^{\circ}\text{C}$ and from $-40\text{ }^{\circ}\text{C}$ to $+125\text{ }^{\circ}\text{C}$
- Input levels:
 - ◆ For 74HC373-Q100: CMOS level
 - ◆ For 74HCT373-Q100: TTL level
- 3-state non-inverting outputs for bus-oriented applications
- Common 3-state output enable input
- Functionally identical to the 74HC573-Q100; 74HCT573-Q100
- ESD protection:
 - ◆ MIL-STD-883, method 3015 exceeds 2000 V
 - ◆ HBM JESD22-A114F exceeds 2000 V
 - ◆ MM JESD22-A115-A exceeds 200 V (C = 200 pF, R = 0 Ω)
- Multiple package options

3. Ordering information

Table 1. Ordering information

| Type number | Package | | | Version |
|-----------------------------------|-------------------|----------|--|----------|
| | Temperature range | Name | Description | |
| 74HC373D-Q100 74HCT373D-Q100 | -40 °C to +125 °C | SO20 | plastic small outline package; 20 leads; body width 7.5 mm | SOT163-1 |
| 74HC373PW-Q100 74HCT373PW-Q100 | -40 °C to +125 °C | TSSOP20 | plastic thin shrink small outline package; 20 leads; body width 4.4 mm | SOT360-1 |
| 74HC373BQ-Q100 74HCT373BQ-Q100 | -40 °C to +125 °C | DHVQFN20 | plastic dual in-line compatible thermal enhanced very thin quad flat package; no leads; 20 terminals; body 2.5 × 4.5 × 0.85 mm | SOT764-1 |

4. Functional diagram

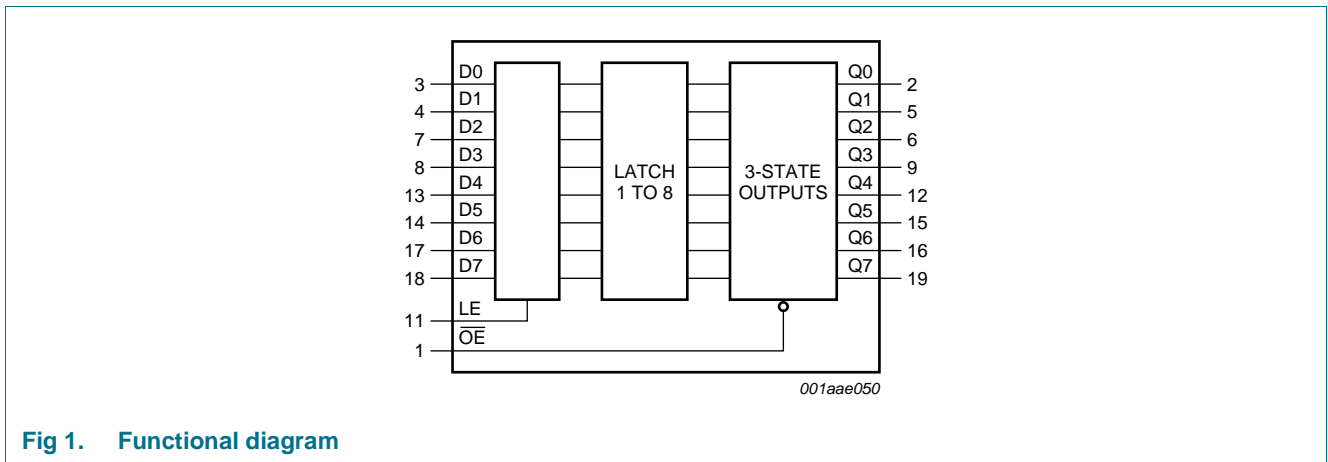


Fig 1. Functional diagram

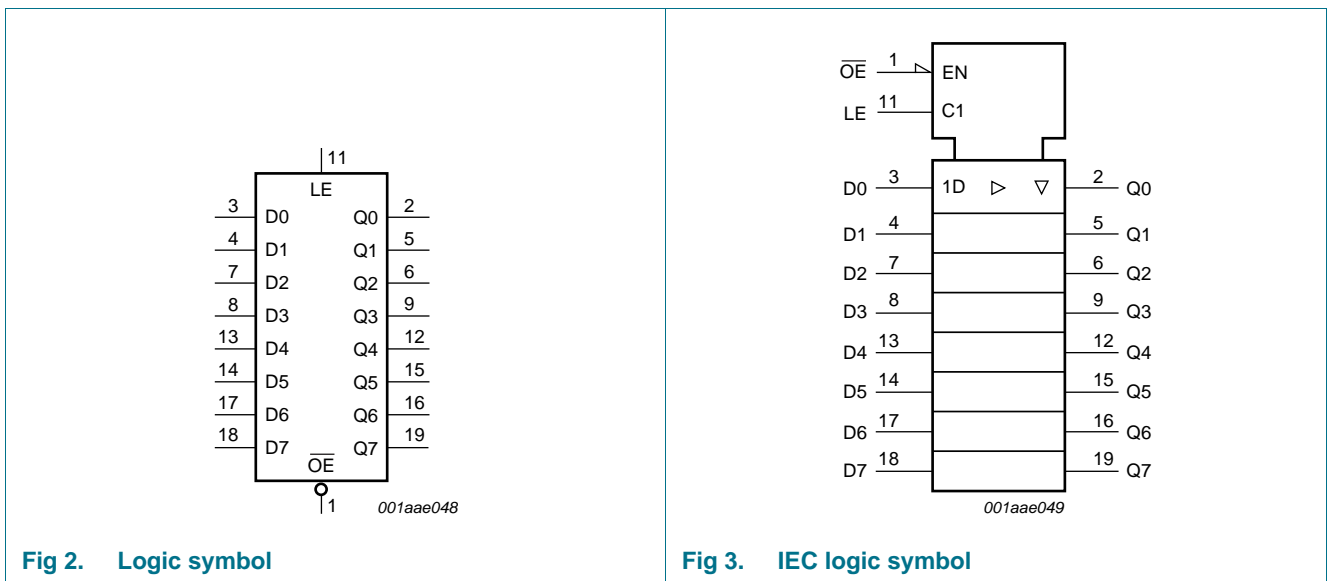


Fig 2. Logic symbol

Fig 3. IEC logic symbol



Fig 4. Logic diagram (one latch)

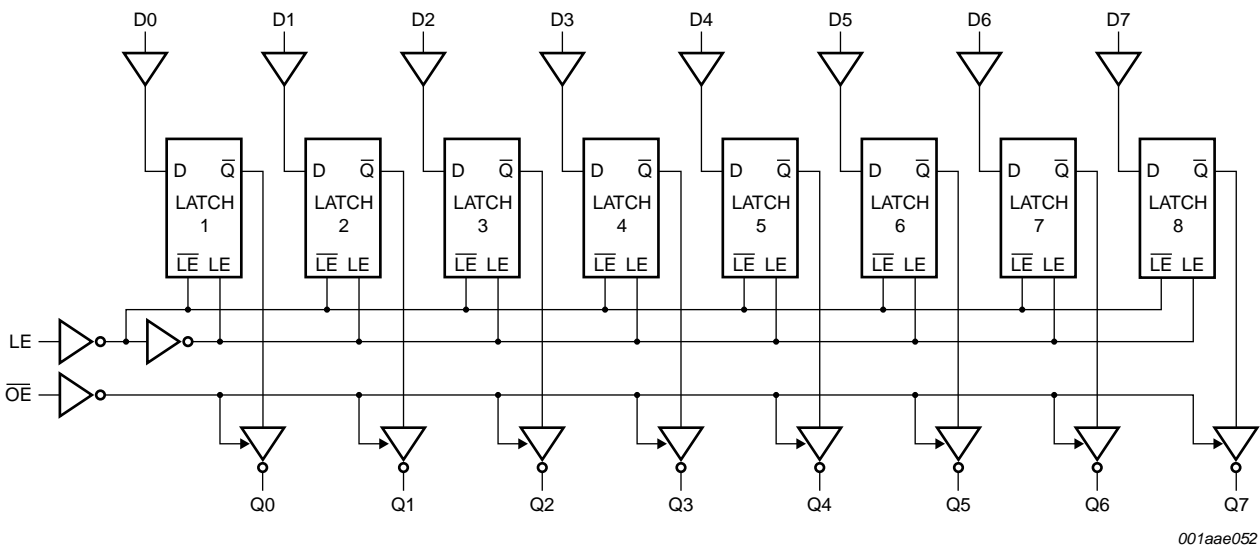
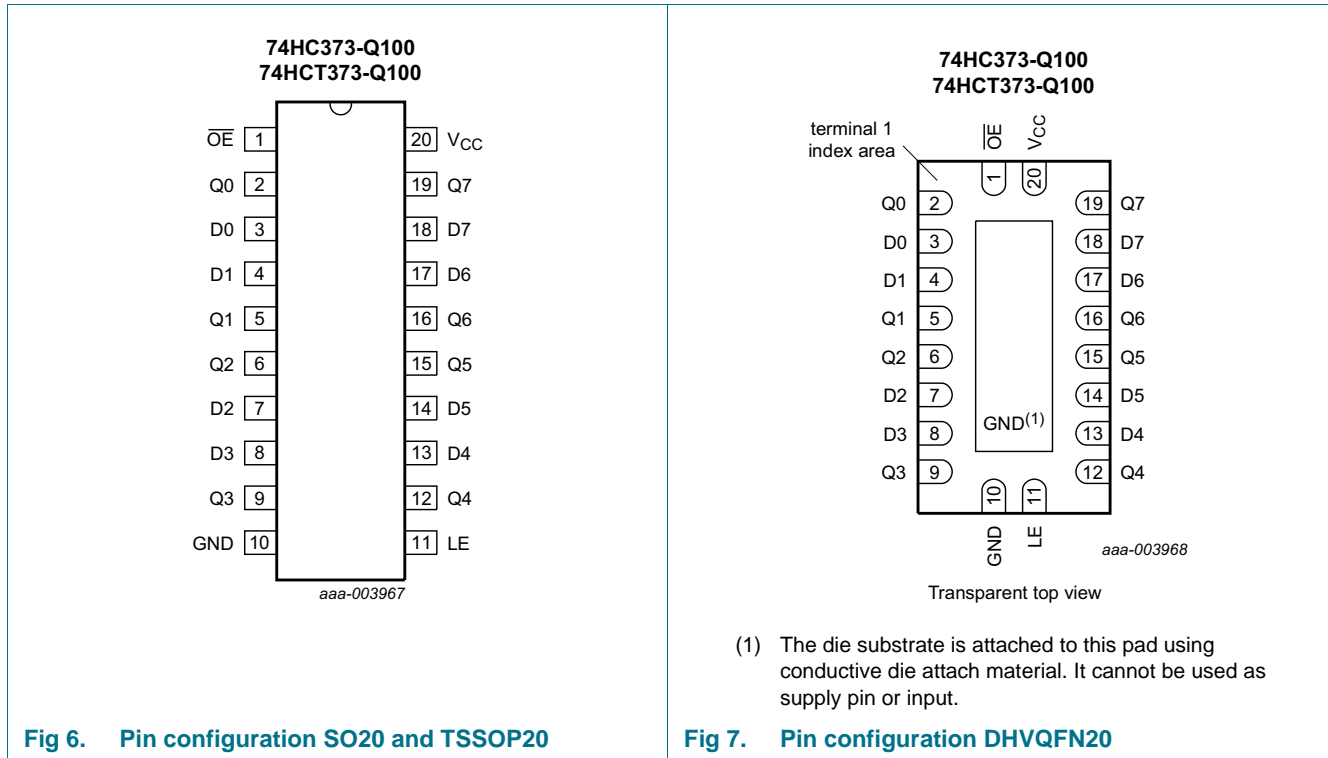


Fig 5. Logic diagram

5. Pinning information

5.1 Pinning



5.2 Pin description

Table 2. Pin description

| Symbol | Pin | Description |
|--------------------------------|----------------------------|--|
| $\overline{\text{OE}}$ | 1 | 3-state output enable input (active LOW) |
| Q0, Q1, Q2, Q3, Q4, Q5, Q6, Q7 | 2, 5, 6, 9, 12, 15, 16, 19 | 3-state latch output |
| D0, D1, D2, D3, D4, D5, D6, D7 | 3, 4, 7, 8, 13, 14, 17, 18 | data input |
| GND | 10 | ground (0 V) |
| LE | 11 | latch enable input (active HIGH) |
| V _{CC} | 20 | supply voltage |

6. Functional description

6.1 Function table

Table 3. Function table^[1]

| Operating mode | Control | | Input | Internal latches | Output |
|--|---------|----|-------|------------------|--------|
| | OE | LE | Dn | | Qn |
| Enable and read register (transparent mode) | L | H | L | L | L |
| | | | H | H | H |
| Latch and read register | L | L | l | L | L |
| | | | h | H | H |
| Latch register and disable outputs | H | X | X | X | Z |

- [1] H = HIGH voltage level;
 h = HIGH voltage level one set-up time prior to the HIGH-to-LOW LE transition;
 L = LOW voltage level;
 l = LOW voltage level one set-up time prior to the HIGH-to-LOW LE transition;
 X = don't care;
 Z = high-impedance OFF-state.

7. Limiting values

Table 4. Limiting values

In accordance with the Absolute Maximum Rating System (IEC 60134). Voltages are referenced to GND (ground = 0 V).

| Symbol | Parameter | Conditions | Min | Max | Unit | |
|------------------|-------------------------|---|------|------|------|----|
| V _{CC} | supply voltage | | -0.5 | +7 | V | |
| I _{IK} | input clamping current | V _I < -0.5 V or V _I > V _{CC} + 0.5 V | - | ±20 | mA | |
| I _{OK} | output clamping current | V _O < -0.5 V or V _O > V _{CC} + 0.5 V | - | ±20 | mA | |
| I _O | output current | V _O = -0.5 V to (V _{CC} + 0.5 V) | - | ±35 | mA | |
| I _{CC} | supply current | | - | +70 | mA | |
| I _{GND} | ground current | | - | -70 | mA | |
| T _{stg} | storage temperature | | -65 | +150 | °C | |
| P _{tot} | total power dissipation | SO20 package | [1] | - | 500 | mW |
| | | TSSOP20 package | [2] | - | 500 | mW |
| | | DHVQFN20 package | [3] | - | 500 | mW |

- [1] For SO20: P_{tot} derates linearly with 8 mW/K above 70 °C.
 [2] For TSSOP20 packages: P_{tot} derates linearly with 5.5 mW/K above 60 °C.
 [3] For DHVQFN20 package: P_{tot} derates linearly with 4.5 mW/K above 60 °C.

8. Recommended operating conditions

Table 5. Recommended operating conditions

Voltages are referenced to GND (ground = 0 V)

| Symbol | Parameter | Conditions | 74HC373-Q100 | | | 74HCT373-Q100 | | | Unit |
|------------------|-------------------------------------|-------------------------|--------------|------|-----------------|---------------|------|-----------------|------|
| | | | Min | Typ | Max | Min | Typ | Max | |
| V _{CC} | supply voltage | | 2.0 | 5.0 | 6.0 | 4.5 | 5.0 | 5.5 | V |
| V _I | input voltage | | 0 | - | V _{CC} | 0 | - | V _{CC} | V |
| V _O | output voltage | | 0 | - | V _{CC} | 0 | - | V _{CC} | V |
| T _{amb} | ambient temperature | | -40 | +25 | +125 | -40 | +25 | +125 | °C |
| Δt/ΔV | input transition rise and fall rate | V _{CC} = 2.0 V | - | - | 625 | - | - | - | ns/V |
| | | V _{CC} = 4.5 V | - | 1.67 | 139 | - | 1.67 | 139 | ns/V |
| | | V _{CC} = 6.0 V | - | - | 83 | - | - | - | ns/V |

9. Static characteristics

Table 6. Static characteristics 74HC373-Q100

At recommended operating conditions; voltages are referenced to GND (ground = 0 V).

| Symbol | Parameter | Conditions | Min | Typ | Max | Unit |
|--------------------------------|---------------------------|---|------|------|------|------|
| T_{amb} = 25 °C | | | | | | |
| V _{IH} | HIGH-level input voltage | V _{CC} = 2.0 V | 1.5 | 1.2 | - | V |
| | | V _{CC} = 4.5 V | 3.15 | 2.4 | - | V |
| | | V _{CC} = 6.0 V | 4.2 | 3.2 | - | V |
| V _{IL} | LOW-level input voltage | V _{CC} = 2.0 V | - | 0.8 | 0.5 | V |
| | | V _{CC} = 4.5 V | - | 2.1 | 1.35 | V |
| | | V _{CC} = 6.0 V | - | 2.8 | 1.8 | V |
| V _{OH} | HIGH-level output voltage | V _I = V _{IH} or V _{IL} | - | - | - | |
| | | I _O = -20 μA; V _{CC} = 2.0 V | 1.9 | 2.0 | - | V |
| | | I _O = -20 μA; V _{CC} = 4.5 V | 4.4 | 4.5 | - | V |
| | | I _O = -20 μA; V _{CC} = 6.0 V | 5.9 | 6.0 | - | V |
| | | I _O = -6.0 mA; V _{CC} = 4.5 V | 3.98 | 4.32 | - | V |
| | | I _O = -7.8 mA; V _{CC} = 6.0 V | 5.48 | 5.81 | - | V |
| V _{OL} | LOW-level output voltage | V _I = V _{IH} or V _{IL} | - | - | - | |
| | | I _O = 20 μA; V _{CC} = 2.0 V | - | 0 | 0.1 | V |
| | | I _O = 20 μA; V _{CC} = 4.5 V | - | 0 | 0.1 | V |
| | | I _O = 20 μA; V _{CC} = 6.0 V | - | 0 | 0.1 | V |
| | | I _O = 6.0 mA; V _{CC} = 4.5 V | - | 0.15 | 0.26 | V |
| | | I _O = 7.8 mA; V _{CC} = 6.0 V | - | 0.16 | 0.26 | V |
| I _I | input leakage current | V _I = V _{CC} or GND; V _{CC} = 6.0 V | - | - | ±0.1 | μA |
| I _{OZ} | OFF-state output current | V _I = V _{IH} or V _{IL} ; V _{CC} = 6.0 V; V _O = V _{CC} or GND | - | - | ±0.5 | μA |
| I _{CC} | supply current | V _{CC} = 6.0 V; I _O = 0 A; V _I = V _{CC} or GND | - | - | 8.0 | μA |
| C _I | input capacitance | | - | 3.5 | - | pF |

Table 6. Static characteristics 74HC373-Q100 ...continued

At recommended operating conditions; voltages are referenced to GND (ground = 0 V).

| Symbol | Parameter | Conditions | Min | Typ | Max | Unit |
|--|---------------------------|---|------|-----|------|------|
| T_{amb} = -40 °C to +85 °C | | | | | | |
| V _{IH} | HIGH-level input voltage | V _{CC} = 2.0 V | 1.5 | - | - | V |
| | | V _{CC} = 4.5 V | 3.15 | - | - | V |
| | | V _{CC} = 6.0 V | 4.2 | - | - | V |
| V _{IL} | LOW-level input voltage | V _{CC} = 2.0 V | - | - | 0.5 | V |
| | | V _{CC} = 4.5 V | - | - | 1.35 | V |
| | | V _{CC} = 6.0 V | - | - | 1.8 | V |
| V _{OH} | HIGH-level output voltage | V _I = V _{IH} or V _{IL} | | | | |
| | | I _O = -20 μA; V _{CC} = 2.0 V | 1.9 | - | - | V |
| | | I _O = -20 μA; V _{CC} = 4.5 V | 4.4 | - | - | V |
| | | I _O = -20 μA; V _{CC} = 6.0 V | 5.9 | - | - | V |
| | | I _O = -6.0 mA; V _{CC} = 4.5 V | 3.84 | - | - | V |
| | | I _O = -7.8 mA; V _{CC} = 6.0 V | 5.34 | - | - | V |
| V _{OL} | LOW-level output voltage | V _I = V _{IH} or V _{IL} | | | | |
| | | I _O = 20 μA; V _{CC} = 2.0 V | - | - | 0.1 | V |
| | | I _O = 20 μA; V _{CC} = 4.5 V | - | - | 0.1 | V |
| | | I _O = 20 μA; V _{CC} = 6.0 V | - | - | 0.1 | V |
| | | I _O = 6.0 mA; V _{CC} = 4.5 V | - | - | 0.33 | V |
| | | I _O = 7.8 mA; V _{CC} = 6.0 V | - | - | 0.33 | V |
| I _I | input leakage current | V _I = V _{CC} or GND; V _{CC} = 6.0 V | - | - | ±1.0 | μA |
| I _{OZ} | OFF-state output current | V _I = V _{IH} or V _{IL} ; V _{CC} = 6.0 V; V _O = V _{CC} or GND | - | - | ±5.0 | μA |
| I _{CC} | supply current | V _{CC} = 6.0 V; I _O = 0 A; V _I = V _{CC} or GND | | - | 80 | μA |
| T_{amb} = -40 °C to +125 °C | | | | | | |
| V _{IH} | HIGH-level input voltage | V _{CC} = 2.0 V | 1.5 | - | - | V |
| | | V _{CC} = 4.5 V | 3.15 | - | - | V |
| | | V _{CC} = 6.0 V | 4.2 | - | - | V |
| V _{IL} | LOW-level input voltage | V _{CC} = 2.0 V | - | - | 0.5 | V |
| | | V _{CC} = 4.5 V | - | - | 1.35 | V |
| | | V _{CC} = 6.0 V | - | - | 1.8 | V |
| V _{OH} | HIGH-level output voltage | V _I = V _{IH} or V _{IL} | | | | |
| | | I _O = -20 μA; V _{CC} = 2.0 V | 1.9 | - | - | V |
| | | I _O = -20 μA; V _{CC} = 4.5 V | 4.4 | - | - | V |
| | | I _O = -20 μA; V _{CC} = 6.0 V | 5.9 | - | - | V |
| | | I _O = -6.0 mA; V _{CC} = 4.5 V | 3.7 | - | - | V |
| | | I _O = -7.8 mA; V _{CC} = 6.0 V | 5.2 | - | - | V |

Table 6. Static characteristics 74HC373-Q100 ...continued

At recommended operating conditions; voltages are referenced to GND (ground = 0 V).

| Symbol | Parameter | Conditions | Min | Typ | Max | Unit |
|-----------------|--------------------------|---|-----|-----|-------|------|
| V _{OL} | LOW-level output voltage | V _I = V _{IH} or V _{IL} | | | | |
| | | I _O = 20 μA; V _{CC} = 2.0 V | - | - | 0.1 | V |
| | | I _O = 20 μA; V _{CC} = 4.5 V | - | - | 0.1 | V |
| | | I _O = 20 μA; V _{CC} = 6.0 V | - | - | 0.1 | V |
| | | I _O = 6.0 mA; V _{CC} = 4.5 V | - | - | 0.4 | V |
| | | I _O = 7.8 mA; V _{CC} = 6.0 V | - | - | 0.4 | V |
| I _I | input leakage current | V _I = V _{CC} or GND; V _{CC} = 6.0 V | - | - | ±1.0 | μA |
| I _{OZ} | OFF-state output current | V _I = V _{IH} or V _{IL} ; V _{CC} = 6.0 V; V _O = V _{CC} or GND | - | - | ±10.0 | μA |
| I _{CC} | supply current | V _{CC} = 6.0 V; I _O = 0 A; V _I = V _{CC} or GND | - | - | 160 | μA |

Table 7. Static characteristics 74HCT373-Q100

At recommended operating conditions; voltages are referenced to GND (ground = 0 V).

| Symbol | Parameter | Conditions | Min | Typ | Max | Unit |
|---|---------------------------|--|------|------|------|------|
| T_{amb} = 25 °C | | | | | | |
| V _{IH} | HIGH-level input voltage | V _{CC} = 4.5 V to 5.5 V | 2.0 | 1.6 | - | V |
| V _{IL} | LOW-level input voltage | V _{CC} = 4.5 V to 5.5 V | - | 1.2 | 0.8 | V |
| V _{OH} | HIGH-level output voltage | V _I = V _{IH} or V _{IL} | | | | |
| | | I _O = -20 μA; V _{CC} = 4.5 V | 4.4 | 4.5 | - | V |
| | | I _O = -6.0 mA; V _{CC} = 4.5 V | 3.98 | 4.32 | - | V |
| V _{OL} | LOW-level output voltage | V _I = V _{IH} or V _{IL} | | | | |
| | | I _O = 20 μA; V _{CC} = 4.5 V | - | 0.0 | 0.1 | V |
| | | I _O = 6.0 mA; V _{CC} = 4.5 V | - | 0.16 | 0.26 | V |
| I _I | input leakage current | V _I = V _{CC} or GND; V _{CC} = 5.5 V | - | - | ±0.1 | μA |
| I _{OZ} | OFF-state output current | V _I = V _{IH} or V _{IL} ; V _{CC} = 5.5 V; V _O = V _{CC} or GND per input pin; other inputs at V _{CC} or GND; I _O = 0 A | - | - | ±0.5 | μA |
| I _{CC} | supply current | V _I = V _{CC} or GND; I _O = 0 A; V _{CC} = 5.5 V | - | - | 8.0 | μA |
| ΔI _{CC} | additional supply current | V _I = V _{CC} - 2.1 V; other inputs at V _{CC} or GND; V _{CC} = 4.5 V to 5.5 V; I _O = 0 A | | | | |
| | | Dn | - | 30 | 108 | μA |
| | | LE | - | 150 | 540 | μA |
| | | $\overline{\text{OE}}$ | - | 100 | 360 | μA |
| C _I | input capacitance | | - | 3.5 | - | pF |
| T_{amb} = -40 °C to +85 °C | | | | | | |
| V _{IH} | HIGH-level input voltage | V _{CC} = 4.5 V to 5.5 V | 2.0 | - | - | V |
| V _{IL} | LOW-level input voltage | V _{CC} = 4.5 V to 5.5 V | - | - | 0.8 | V |

Table 7. Static characteristics 74HCT373-Q100 ...continued

At recommended operating conditions; voltages are referenced to GND (ground = 0 V).

| Symbol | Parameter | Conditions | Min | Typ | Max | Unit |
|--|---------------------------|--|------|-----|------|------|
| V _{OH} | HIGH-level output voltage | V _I = V _{IH} or V _{IL} | | | | |
| | | I _O = -20 μA; V _{CC} = 4.5 V | 4.4 | - | - | V |
| | | I _O = -6.0 μA; V _{CC} = 4.5 V | 3.84 | - | - | V |
| V _{OL} | LOW-level output voltage | V _I = V _{IH} or V _{IL} | | | | |
| | | I _O = 20 μA; V _{CC} = 4.5 V | - | - | 0.1 | V |
| | | I _O = 6.0 mA; V _{CC} = 4.5 V | - | - | 0.33 | V |
| I _I | input leakage current | V _I = V _{CC} or GND; V _{CC} = 5.5 V | - | - | ±1.0 | μA |
| I _{OZ} | OFF-state output current | V _I = V _{IH} or V _{IL} ; V _{CC} = 5.5 V; V _O = V _{CC} or GND per input pin; other inputs at V _{CC} or GND; I _O = 0 A | - | - | ±5.0 | μA |
| I _{CC} | supply current | V _I = V _{CC} or GND; I _O = 0 A; V _{CC} = 5.5 V | - | - | 80 | μA |
| ΔI _{CC} | additional supply current | V _I = V _{CC} - 2.1 V; other inputs at V _{CC} or GND; V _{CC} = 4.5 V to 5.5 V; I _O = 0 A | | | | |
| | | Dn | - | - | 135 | μA |
| | | LE | - | - | 675 | μA |
| | | $\overline{\text{OE}}$ | - | - | 450 | μA |
| T_{amb} = -40 °C to +125 °C | | | | | | |
| V _{IH} | HIGH-level input voltage | V _{CC} = 4.5 V to 5.5 V | 2.0 | - | - | V |
| V _{IL} | LOW-level input voltage | V _{CC} = 4.5 V to 5.5 V | - | - | 0.8 | V |
| V _{OH} | HIGH-level output voltage | V _I = V _{IH} or V _{IL} | | | | |
| | | I _O = -20 μA; V _{CC} = 4.5 V | 4.4 | - | - | V |
| | | I _O = -6.0 mA; V _{CC} = 4.5 V | 3.7 | - | - | V |
| V _{OL} | LOW-level output voltage | V _I = V _{IH} or V _{IL} | | | | |
| | | I _O = 20 μA; V _{CC} = 4.5 V | - | - | 0.1 | V |
| | | I _O = 6.0 mA; V _{CC} = 4.5 V | - | - | 0.4 | V |
| I _I | input leakage current | V _I = V _{CC} or GND; V _{CC} = 5.5 V | - | - | ±1.0 | μA |
| I _{OZ} | OFF-state output current | V _I = V _{IH} or V _{IL} ; V _{CC} = 5.5 V; V _O = V _{CC} or GND per input pin; other inputs at V _{CC} or GND; I _O = 0 A | - | - | ±10 | μA |
| I _{CC} | supply current | V _I = V _{CC} or GND; I _O = 0 A; V _{CC} = 5.5 V | - | - | 160 | μA |
| ΔI _{CC} | additional supply current | V _I = V _{CC} - 2.1 V; other inputs at V _{CC} or GND; V _{CC} = 4.5 V to 5.5 V; I _O = 0 A | | | | |
| | | Dn | - | - | 147 | μA |
| | | LE | - | - | 735 | μA |
| | | $\overline{\text{OE}}$ | - | - | 490 | μA |

10. Dynamic characteristics

Table 8. Dynamic characteristics 74HC373-Q100

Voltages are referenced to GND (ground = 0 V); $C_L = 50$ pF unless otherwise specified; for test circuit see [Figure 12](#).

| Symbol | Parameter | Conditions | Min | Typ | Max | Unit | |
|-------------------------------------|-------------------------------|---|-----|-----|-----|------|----|
| $T_{amb} = 25$ °C | | | | | | | |
| t_{pd} | propagation delay | Dn to Qn; see Figure 8 | [1] | | | | |
| | | $V_{CC} = 2.0$ V | - | 41 | 150 | ns | |
| | | $V_{CC} = 4.5$ V | - | 15 | 30 | ns | |
| | | $V_{CC} = 5$ V; $C_L = 15$ pF | - | 12 | - | ns | |
| | | $V_{CC} = 6.0$ V | - | 12 | 26 | ns | |
| | | LE to Qn; see Figure 9 | | | | | |
| | | $V_{CC} = 2.0$ V | - | 50 | 175 | ns | |
| | | $V_{CC} = 4.5$ V | - | 18 | 35 | ns | |
| | | $V_{CC} = 5$ V; $C_L = 15$ pF | - | 15 | - | ns | |
| $V_{CC} = 6.0$ V | - | 14 | 30 | ns | | | |
| t_{en} | enable time | \overline{OE} to Qn; see Figure 10 | [2] | | | | |
| | | $V_{CC} = 2.0$ V | - | 44 | 150 | ns | |
| | | $V_{CC} = 4.5$ V | - | 16 | 30 | ns | |
| | | $V_{CC} = 6.0$ V | - | 13 | 26 | ns | |
| t_{dis} | disable time | \overline{OE} to Qn; see Figure 10 | [3] | | | | |
| | | $V_{CC} = 2.0$ V | - | 47 | 150 | ns | |
| | | $V_{CC} = 4.5$ V | - | 17 | 30 | ns | |
| | | $V_{CC} = 6.0$ V | - | 14 | 26 | ns | |
| t_t | transition time | Qn; see Figure 8 and Figure 9 | [4] | | | | |
| | | $V_{CC} = 2.0$ V | - | 14 | 60 | ns | |
| | | $V_{CC} = 4.5$ V | - | 5 | 12 | ns | |
| | | $V_{CC} = 6.0$ V | - | 4 | 10 | ns | |
| t_W | pulse width | LE HIGH; see Figure 9 | | | | | |
| | | $V_{CC} = 2.0$ V | 80 | 17 | - | ns | |
| | | $V_{CC} = 4.5$ V | 16 | 6 | - | ns | |
| | | $V_{CC} = 6.0$ V | 14 | 5 | - | ns | |
| t_{su} | set-up time | Dn to LE; see Figure 11 | | | | | |
| | | $V_{CC} = 2.0$ V | 50 | 14 | - | ns | |
| | | $V_{CC} = 4.5$ V | 10 | 5 | - | ns | |
| | | $V_{CC} = 6.0$ V | 9 | 4 | - | ns | |
| t_h | hold time | Dn to LE; see Figure 11 | | | | | |
| | | $V_{CC} = 2.0$ V | +5 | -8 | - | ns | |
| | | $V_{CC} = 4.5$ V | +5 | -3 | - | ns | |
| | | $V_{CC} = 6.0$ V | +5 | -2 | - | ns | |
| C_{PD} | power dissipation capacitance | per latch; $V_I = GND$ to V_{CC} | [5] | - | 45 | - | pF |

Table 8. Dynamic characteristics 74HC373-Q100 ...continued

Voltages are referenced to GND (ground = 0 V); $C_L = 50$ pF unless otherwise specified; for test circuit see [Figure 12](#).

| Symbol | Parameter | Conditions | Min | Typ | Max | Unit |
|---|-------------------|---|-------------|--|-----|------|
| $T_{amb} = -40$ °C to $+85$ °C | | | | | | |
| t_{pd} | propagation delay | Dn to Qn; see Figure 8 | | | | [1] |
| | | $V_{CC} = 2.0$ V | - | - | 190 | ns |
| | | $V_{CC} = 4.5$ V | - | - | 38 | ns |
| | | $V_{CC} = 6.0$ V | - | - | 33 | ns |
| | | LE to Qn; see Figure 9 | | | | |
| | | $V_{CC} = 2.0$ V | - | - | 220 | ns |
| | | $V_{CC} = 4.5$ V | - | - | 44 | ns |
| | | $V_{CC} = 6.0$ V | - | - | 37 | ns |
| | | t_{en} | enable time | \overline{OE} to Qn; see Figure 10 | | |
| $V_{CC} = 2.0$ V | - | | | - | 190 | ns |
| $V_{CC} = 4.5$ V | - | | | - | 38 | ns |
| $V_{CC} = 6.0$ V | - | | | - | 33 | ns |
| t_{dis} | disable time | \overline{OE} to Qn; see Figure 10 | | | | [3] |
| | | $V_{CC} = 2.0$ V | - | - | 190 | ns |
| | | $V_{CC} = 4.5$ V | - | - | 38 | ns |
| | | $V_{CC} = 6.0$ V | - | - | 33 | ns |
| t_t | transition time | Qn; see Figure 8 and Figure 9 | | | | [4] |
| | | $V_{CC} = 2.0$ V | - | - | 75 | ns |
| | | $V_{CC} = 4.5$ V | - | - | 15 | ns |
| | | $V_{CC} = 6.0$ V | - | - | 13 | ns |
| t_W | pulse width | LE HIGH; see Figure 9 | | | | |
| | | $V_{CC} = 2.0$ V | 100 | - | - | ns |
| | | $V_{CC} = 4.5$ V | 20 | - | - | ns |
| | | $V_{CC} = 6.0$ V | 17 | - | - | ns |
| t_{su} | set-up time | Dn to LE; see Figure 11 | | | | |
| | | $V_{CC} = 2.0$ V | 65 | - | - | ns |
| | | $V_{CC} = 4.5$ V | 13 | - | - | ns |
| | | $V_{CC} = 6.0$ V | 11 | - | - | ns |
| t_h | hold time | Dn to LE; see Figure 11 | | | | |
| | | $V_{CC} = 2.0$ V | 5 | - | - | ns |
| | | $V_{CC} = 4.5$ V | 5 | - | - | ns |
| | | $V_{CC} = 6.0$ V | 5 | - | - | ns |

Table 8. Dynamic characteristics 74HC373-Q100 ...continued

Voltages are referenced to GND (ground = 0 V); $C_L = 50$ pF unless otherwise specified; for test circuit see [Figure 12](#).

| Symbol | Parameter | Conditions | Min | Typ | Max | Unit |
|--|-------------------|---|-------------|--|-----|------|
| $T_{amb} = -40$ °C to $+125$ °C | | | | | | |
| t_{pd} | propagation delay | Dn to Qn; see Figure 8 | [1] | | | |
| | | $V_{CC} = 2.0$ V | - | - | 225 | ns |
| | | $V_{CC} = 4.5$ V | - | - | 45 | ns |
| | | $V_{CC} = 6.0$ V | - | - | 38 | ns |
| | | LE to Qn; see Figure 9 | | | | |
| | | $V_{CC} = 2.0$ V | - | - | 265 | ns |
| | | $V_{CC} = 4.5$ V | - | - | 53 | ns |
| | | $V_{CC} = 6.0$ V | - | - | 45 | ns |
| | | t_{en} | enable time | \overline{OE} to Qn; see Figure 10 | [2] | |
| $V_{CC} = 2.0$ V | - | | | - | 225 | ns |
| $V_{CC} = 4.5$ V | - | | | - | 45 | ns |
| $V_{CC} = 6.0$ V | - | | | - | 38 | ns |
| t_{dis} | disable time | \overline{OE} to Qn; see Figure 10 | [3] | | | |
| | | $V_{CC} = 2.0$ V | - | - | 225 | ns |
| | | $V_{CC} = 4.5$ V | - | - | 45 | ns |
| | | $V_{CC} = 6.0$ V | - | - | 38 | ns |
| t_t | transition time | Qn; see Figure 8 and Figure 9 | [4] | | | |
| | | $V_{CC} = 2.0$ V | - | - | 90 | ns |
| | | $V_{CC} = 4.5$ V | - | - | 18 | ns |
| | | $V_{CC} = 6.0$ V | - | - | 15 | ns |
| t_W | pulse width | LE HIGH; see Figure 9 | | | | |
| | | $V_{CC} = 2.0$ V | 120 | - | - | ns |
| | | $V_{CC} = 4.5$ V | 24 | - | - | ns |
| | | $V_{CC} = 6.0$ V | 20 | - | - | ns |
| t_{su} | set-up time | Dn to LE; see Figure 11 | | | | |
| | | $V_{CC} = 2.0$ V | 75 | - | - | ns |
| | | $V_{CC} = 4.5$ V | 15 | - | - | ns |
| | | $V_{CC} = 6.0$ V | 13 | - | - | ns |

Table 8. Dynamic characteristics 74HC373-Q100 ...continued

Voltages are referenced to GND (ground = 0 V); $C_L = 50$ pF unless otherwise specified; for test circuit see [Figure 12](#).

| Symbol | Parameter | Conditions | Min | Typ | Max | Unit |
|--------|-----------|---|-----|-----|-----|------|
| t_h | hold time | Dn to LE; see Figure 11 | | | | |
| | | $V_{CC} = 2.0$ V | 5 | - | - | ns |
| | | $V_{CC} = 4.5$ V | 5 | - | - | ns |
| | | $V_{CC} = 6.0$ V | 5 | - | - | ns |

[1] t_{pd} is the same as t_{PLH} and t_{PHL} .

[2] t_{en} is the same as t_{PZH} and t_{PZL} .

[3] t_{dis} is the same as t_{PLZ} and t_{PHZ} .

[4] t_t is the same as t_{THL} and t_{TLH} .

[5] C_{PD} is used to determine the dynamic power dissipation (P_D in μ W).

$P_D = C_{PD} \times V_{CC}^2 \times f_i \times N + \Sigma(C_L \times V_{CC}^2 \times f_o)$ where:

f_i = input frequency in MHz;

f_o = output frequency in MHz;

C_L = output load capacitance in pF;

V_{CC} = supply voltage in V;

N = number of inputs switching;

$\Sigma(C_L \times V_{CC}^2 \times f_o)$ = sum of outputs.

Table 9. Dynamic characteristics 74HCT373-Q100

Voltages are referenced to GND (ground = 0 V); $C_L = 50$ pF unless otherwise specified; for test circuit see [Figure 12](#).

| Symbol | Parameter | Conditions | Min | Typ | Max | Unit |
|-------------------------------------|-------------------------------|---|-----|-----|-----|------|
| $T_{amb} = 25$ °C | | | | | | |
| t_{pd} | propagation delay | Dn to Qn; see Figure 8 | [1] | | | |
| | | $V_{CC} = 4.5$ V | - | 17 | 30 | ns |
| | | $V_{CC} = 5$ V; $C_L = 15$ pF | - | 14 | - | ns |
| | | LE to Qn; see Figure 9 | | | | |
| | | $V_{CC} = 4.5$ V | - | 16 | 32 | ns |
| | | $V_{CC} = 5$ V; $C_L = 15$ pF | - | 13 | - | ns |
| t_{en} | enable time | \overline{OE} to Qn; see Figure 10 | [2] | | | |
| | | $V_{CC} = 4.5$ V | - | 19 | 32 | ns |
| t_{dis} | disable time | \overline{OE} to Qn; see Figure 10 | [3] | | | |
| | | $V_{CC} = 4.5$ V | - | 18 | 30 | ns |
| t_t | transition time | Qn; see Figure 8 and Figure 9 | [4] | | | |
| | | $V_{CC} = 4.5$ V | - | 5 | 12 | ns |
| t_W | pulse width | LE HIGH; see Figure 9 | | | | |
| | | $V_{CC} = 4.5$ V | 16 | 4 | - | ns |
| t_{su} | set-up time | Dn to LE; see Figure 11 | | | | |
| | | $V_{CC} = 4.5$ V | 12 | 6 | - | ns |
| t_h | hold time | Dn to LE; see Figure 11 | | | | |
| | | $V_{CC} = 4.5$ V | 4 | -1 | - | ns |
| C_{PD} | power dissipation capacitance | per latch; $V_I = GND$ to ($V_{CC} - 1.5$ V) | [5] | - | 41 | pF |

Table 9. Dynamic characteristics 74HCT373-Q100 ...continued

Voltages are referenced to GND (ground = 0 V); $C_L = 50$ pF unless otherwise specified; for test circuit see [Figure 12](#).

| Symbol | Parameter | Conditions | Min | Typ | Max | Unit |
|--|----------------------|---|-----|-----|-----|------|
| $T_{amb} = -40$ °C to $+85$ °C | | | | | | |
| t_{pd} | propagation delay | Dn to Qn; see Figure 8 | [1] | | | |
| | | $V_{CC} = 4.5$ V | - | - | 38 | ns |
| | | LE to Qn; see Figure 9 | | | | |
| | | $V_{CC} = 4.5$ V | - | - | 40 | ns |
| t_{en} | enable time | \overline{OE} to Qn; see Figure 10 | [2] | | | |
| | | $V_{CC} = 4.5$ V | - | - | 40 | ns |
| t_{dis} | disable time | \overline{OE} to Qn; see Figure 10 | [3] | | | |
| | | $V_{CC} = 4.5$ V | - | - | 38 | ns |
| t_t | transition time | Qn; see Figure 8 and Figure 9 | [4] | | | |
| | | $V_{CC} = 4.5$ V | - | - | 15 | ns |
| t_W | pulse width | LE HIGH; see Figure 9 | | | | |
| | | $V_{CC} = 4.5$ V | 20 | - | - | ns |
| t_{su} | set-up time | Dn to LE; see Figure 11 | | | | |
| | | $V_{CC} = 4.5$ V | 15 | - | - | ns |
| t_h | hold time | Dn to LE; see Figure 11 | | | | |
| | | $V_{CC} = 4.5$ V | 4 | - | - | ns |
| $T_{amb} = -40$ °C to $+125$ °C | | | | | | |
| t_{pd} | propagation delay | Dn to Qn; see Figure 8 | [1] | | | |
| | | $V_{CC} = 4.5$ V | - | - | 45 | ns |
| | | LE to Qn; see Figure 9 | | | | |
| | | $V_{CC} = 4.5$ V | - | - | 48 | ns |
| t_{en} | enable time | \overline{OE} to Qn; see Figure 10 | [2] | | | |
| | | $V_{CC} = 4.5$ V | - | - | 48 | ns |
| t_{dis} | disable time | \overline{OE} to Qn; see Figure 10 | [3] | | | |
| | | $V_{CC} = 4.5$ V | - | - | 45 | ns |
| t_t | transition time | Qn; see Figure 8 and Figure 9 | [4] | | | |
| | | $V_{CC} = 4.5$ V | - | - | 18 | ns |
| t_W | pulse width | LE HIGH; see Figure 9 | | | | |
| | | $V_{CC} = 4.5$ V | 24 | - | - | ns |
| t_{su} | set-up time Dn to LE | Dn to LE; see Figure 11 | | | | |
| | | $V_{CC} = 4.5$ V | 18 | - | - | ns |

Table 9. Dynamic characteristics 74HCT373-Q100 ...continued

Voltages are referenced to GND (ground = 0 V); $C_L = 50$ pF unless otherwise specified; for test circuit see [Figure 12](#).

| Symbol | Parameter | Conditions | Min | Typ | Max | Unit |
|--------|--------------------|---|-----|-----|-----|------|
| t_h | hold time Dn to LE | Dn to LE; see Figure 11 $V_{CC} = 4.5$ V | 4 | - | - | ns |

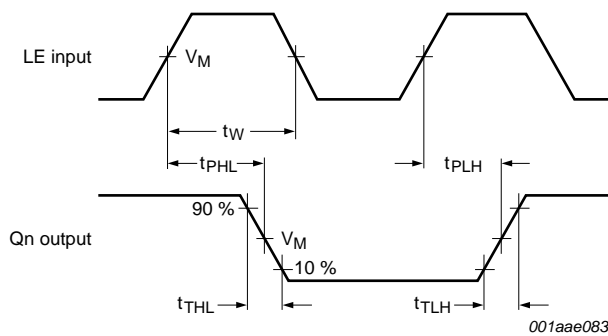
- [1] t_{pd} is the same as t_{PLH} and t_{PHL} .
- [2] t_{en} is the same as t_{PZH} and t_{PZL} .
- [3] t_{dis} is the same as t_{PLZ} and t_{PHZ} .
- [4] t_i is the same as t_{THL} and t_{TLH} .
- [5] C_{PD} is used to determine the dynamic power dissipation (P_D in μW).
 $P_D = C_{PD} \times V_{CC}^2 \times f_i \times N + \sum(C_L \times V_{CC}^2 \times f_o)$ where:
 f_i = input frequency in MHz;
 f_o = output frequency in MHz;
 C_L = output load capacitance in pF;
 V_{CC} = supply voltage in V;
 N = number of inputs switching;
 $\sum(C_L \times V_{CC}^2 \times f_o)$ = sum of outputs.

11. Waveforms



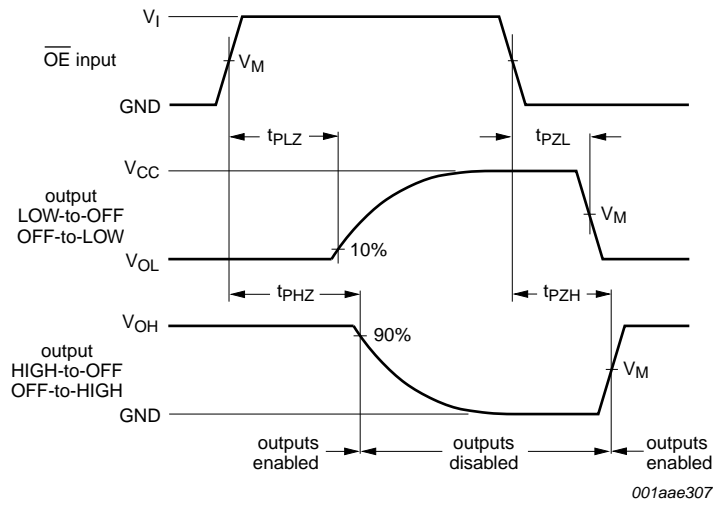
Measurement points are given in [Table 10](#).

Fig 8. Propagation delay input (Dn) to output (Qn) and transition time output (Qn)



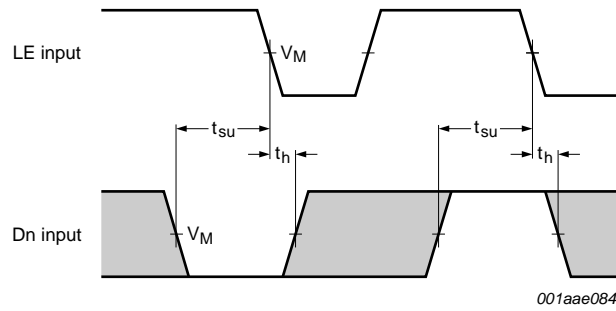
Measurement points are given in [Table 10](#).

Fig 9. Pulse width latch enable input (LE), propagation delay (LE) to output (Qn) and transition time output (Qn)



Measurement points are given in [Table 10](#).

Fig 10. 3-state enable and disable time



Measurement points are given in [Table 10](#).

Fig 11. Set-up and hold time data input (Dn) to latch enable input (LE)

Table 10. Measurement points

| Type | Input | Output |
|---------------|-------------|-------------|
| | V_M | V_M |
| 74HC373-Q100 | $0.5V_{CC}$ | $0.5V_{CC}$ |
| 74HCT373-Q100 | 1.3 V | 1.3 V |



Test data is given in [Table 11](#).

Definitions test circuit:

R_T = Termination resistance should be equal to output impedance Z_o of the pulse generator

C_L = Load capacitance including jig and probe capacitance

R_L = Load resistor

S1 = Test selection switch

Fig 12. Test circuit for measuring switching times

Table 11. Test data

| Type | Input | | Load | | S1 position | | |
|---------------|----------|------------|--------------|--------------|--------------------|--------------------|--------------------|
| | V_I | t_r, t_f | C_L | R_L | t_{PHL}, t_{PLH} | t_{PZH}, t_{PHZ} | t_{PZL}, t_{PLZ} |
| 74HC373-Q100 | V_{CC} | 6 ns | 15 pF, 50 pF | 1 k Ω | open | GND | V_{CC} |
| 74HCT373-Q100 | 3 V | 6 ns | 15 pF, 50 pF | 1 k Ω | open | GND | V_{CC} |

12. Package outline

SO20: plastic small outline package; 20 leads; body width 7.5 mm

SOT163-1

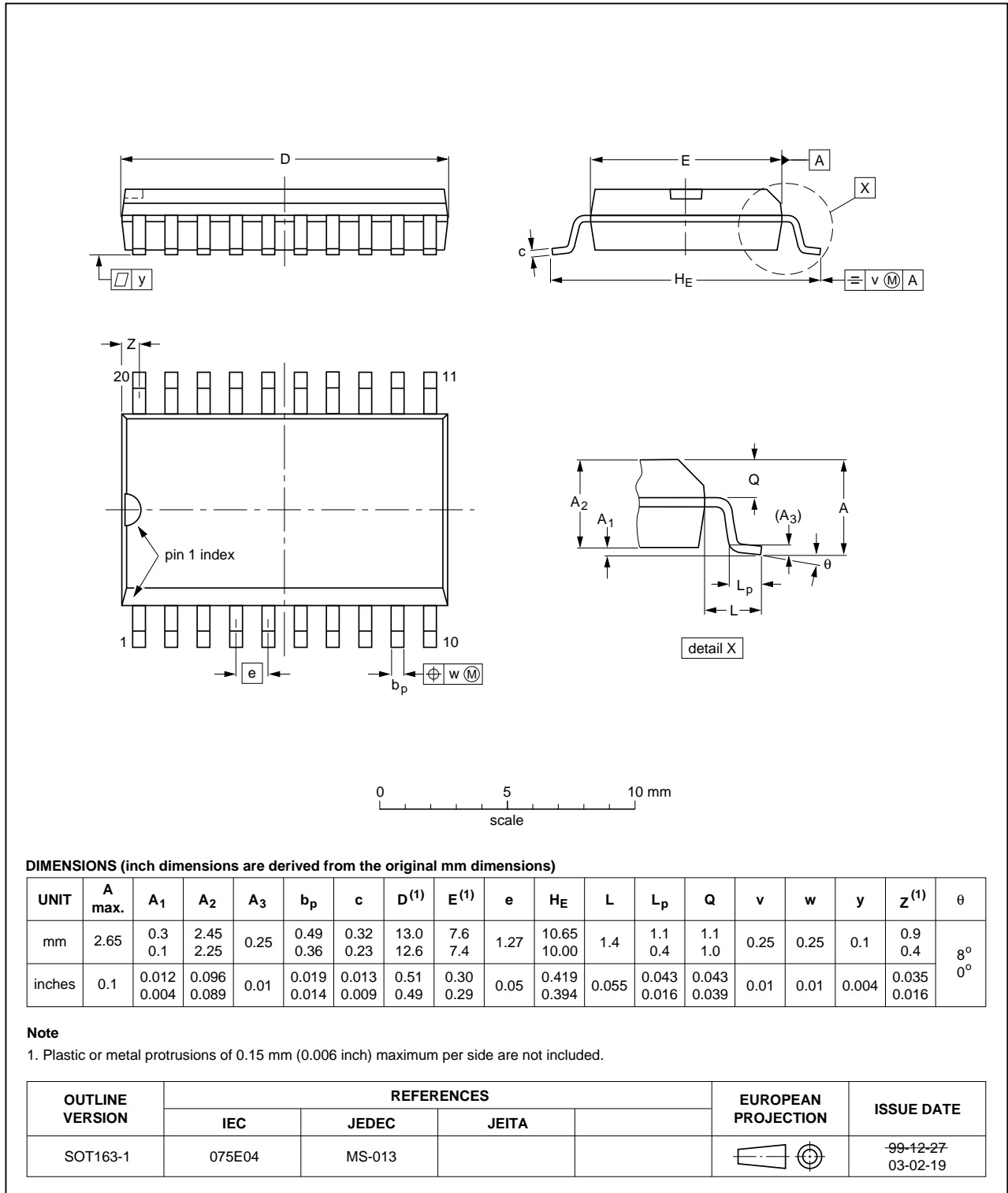


Fig 13. Package outline SOT163-1 (SO20)

TSSOP20: plastic thin shrink small outline package; 20 leads; body width 4.4 mm

SOT360-1



Fig 14. Package outline SOT360-1 (TSSOP20)

DHVQFN20: plastic dual in-line compatible thermal enhanced very thin quad flat package; no leads; 20 terminals; body 2.5 x 4.5 x 0.85 mm

SOT764-1

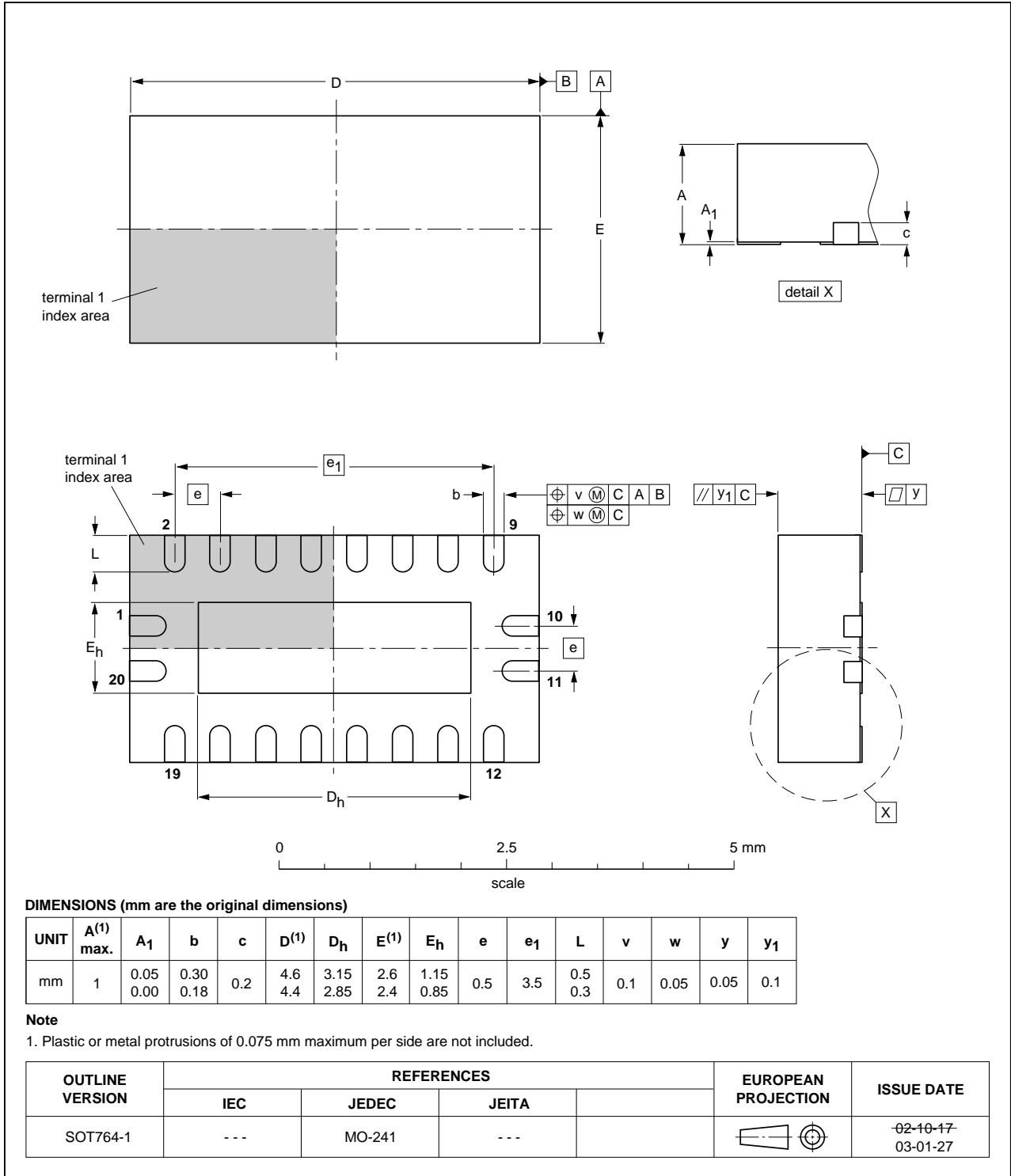


Fig 15. Package outline SOT764-1 (DHVQFN20)

13. Abbreviations

Table 12. Abbreviations

| Acronym | Description |
|---------|---|
| CMOS | Complementary Metal Oxide Semiconductor |
| ESD | ElectroStatic Discharge |
| HBM | Human Body Model |
| MM | Machine Model |
| TTL | Transistor-Transistor Logic |
| MIL | Military |

14. Revision history

Table 13. Revision history

| Document ID | Release date | Data sheet status | Change notice | Supersedes |
|----------------------|--------------|--------------------|---------------|------------|
| 74HC_HCT373_Q100 v.1 | 20120810 | Product data sheet | - | - |

15. Legal information

15.1 Data sheet status

| Document status ^{[1][2]} | Product status ^[3] | Definition |
|-----------------------------------|-------------------------------|---|
| Objective [short] data sheet | Development | This document contains data from the objective specification for product development. |
| Preliminary [short] data sheet | Qualification | This document contains data from the preliminary specification. |
| Product [short] data sheet | Production | This document contains the product specification. |

[1] Please consult the most recently issued document before initiating or completing a design.

[2] The term 'short data sheet' is explained in section "Definitions".

[3] The product status of device(s) described in this document may have changed since this document was published and may differ in case of multiple devices. The latest product status information is available on the Internet at URL <http://www.nexperia.com>.

15.2 Definitions

Draft — The document is a draft version only. The content is still under internal review and subject to formal approval, which may result in modifications or additions. Nexperia does not give any representations or warranties as to the accuracy or completeness of information included herein and shall have no liability for the consequences of use of such information.

Short data sheet — A short data sheet is an extract from a full data sheet with the same product type number(s) and title. A short data sheet is intended for quick reference only and should not be relied upon to contain detailed and full information. For detailed and full information see the relevant full data sheet, which is available on request via the local Nexperia sales office. In case of any inconsistency or conflict with the short data sheet, the full data sheet shall prevail.

Product specification — The information and data provided in a Product data sheet shall define the specification of the product as agreed between Nexperia and its customer, unless Nexperia and customer have explicitly agreed otherwise in writing. In no event however, shall an agreement be valid in which the Nexperia product is deemed to offer functions and qualities beyond those described in the Product data sheet.

15.3 Disclaimers

Limited warranty and liability — Information in this document is believed to be accurate and reliable. However, Nexperia does not give any representations or warranties, expressed or implied, as to the accuracy or completeness of such information and shall have no liability for the consequences of use of such information. Nexperia takes no responsibility for the content in this document if provided by an information source outside of Nexperia.

In no event shall Nexperia be liable for any indirect, incidental, punitive, special or consequential damages (including - without limitation - lost profits, lost savings, business interruption, costs related to the removal or replacement of any products or rework charges) whether or not such damages are based on tort (including negligence), warranty, breach of contract or any other legal theory.

Notwithstanding any damages that customer might incur for any reason whatsoever, Nexperia's aggregate and cumulative liability towards customer for the products described herein shall be limited in accordance with the *Terms and conditions of commercial sale* of Nexperia.

Right to make changes — Nexperia reserves the right to make changes to information published in this document, including without limitation specifications and product descriptions, at any time and without notice. This document supersedes and replaces all information supplied prior to the publication hereof.

Suitability for use in automotive applications — This Nexperia product has been qualified for use in automotive applications. Unless otherwise agreed in writing, the product is not designed, authorized or warranted to be suitable for use in life support, life-critical or safety-critical systems or equipment, nor in applications where failure or malfunction of a Nexperia product can reasonably be expected to result in personal injury, death or severe property or environmental damage. Nexperia and its suppliers accept no liability for inclusion and/or use of Nexperia products in such equipment or applications and therefore such inclusion and/or use is at the customer's own risk.

Applications — Applications that are described herein for any of these products are for illustrative purposes only. Nexperia makes no representation or warranty that such applications will be suitable for the specified use without further testing or modification.

Customers are responsible for the design and operation of their applications and products using Nexperia products, and Nexperia accepts no liability for any assistance with applications or customer product design. It is customer's sole responsibility to determine whether the Nexperia product is suitable and fit for the customer's applications and products planned, as well as for the planned application and use of customer's third party customer(s). Customers should provide appropriate design and operating safeguards to minimize the risks associated with their applications and products.

Nexperia does not accept any liability related to any default, damage, costs or problem which is based on any weakness or default in the customer's applications or products, or the application or use by customer's third party customer(s). Customer is responsible for doing all necessary testing for the customer's applications and products using Nexperia products in order to avoid a default of the applications and the products or of the application or use by customer's third party customer(s). Nexperia does not accept any liability in this respect.

Limiting values — Stress above one or more limiting values (as defined in the Absolute Maximum Ratings System of IEC 60134) will cause permanent damage to the device. Limiting values are stress ratings only and (proper) operation of the device at these or any other conditions above those given in the Recommended operating conditions section (if present) or the Characteristics sections of this document is not warranted. Constant or repeated exposure to limiting values will permanently and irreversibly affect the quality and reliability of the device.

Terms and conditions of commercial sale — Nexperia products are sold subject to the general terms and conditions of commercial sale, as published at <http://www.nexperia.com/profile/terms>, unless otherwise agreed in a valid written individual agreement. In case an individual agreement is concluded only the terms and conditions of the respective agreement shall apply. Nexperia hereby expressly objects to applying the customer's general terms and conditions with regard to the purchase of Nexperia products by customer.

No offer to sell or license — Nothing in this document may be interpreted or construed as an offer to sell products that is open for acceptance or the grant, conveyance or implication of any license under any copyrights, patents or other industrial or intellectual property rights.

Export control — This document as well as the item(s) described herein may be subject to export control regulations. Export might require a prior authorization from competent authorities.

Translations — A non-English (translated) version of a document is for reference only. The English version shall prevail in case of any discrepancy between the translated and English versions.

15.4 Trademarks

Notice: All referenced brands, product names, service names and trademarks are the property of their respective owners.

16. Contact information

For more information, please visit: <http://www.nexperia.com>

For sales office addresses, please send an email to: salesaddresses@nexperia.com

17. Contents

| | | |
|-----------|---|-----------|
| 1 | General description | 1 |
| 2 | Features and benefits | 1 |
| 3 | Ordering information | 2 |
| 4 | Functional diagram | 2 |
| 5 | Pinning information | 4 |
| 5.1 | Pinning | 4 |
| 5.2 | Pin description | 4 |
| 6 | Functional description | 5 |
| 6.1 | Function table | 5 |
| 7 | Limiting values | 5 |
| 8 | Recommended operating conditions | 6 |
| 9 | Static characteristics | 6 |
| 10 | Dynamic characteristics | 10 |
| 11 | Waveforms | 15 |
| 12 | Package outline | 18 |
| 13 | Abbreviations | 21 |
| 14 | Revision history | 21 |
| 15 | Legal information | 22 |
| 15.1 | Data sheet status | 22 |
| 15.2 | Definitions | 22 |
| 15.3 | Disclaimers | 22 |
| 15.4 | Trademarks | 23 |
| 16 | Contact information | 23 |
| 17 | Contents | 24 |



Стандарт Электрон Связь

Мы молодая и активно развивающаяся компания в области поставок электронных компонентов. Мы поставляем электронные компоненты отечественного и импортного производства напрямую от производителей и с крупнейших складов мира.

Благодаря сотрудничеству с мировыми поставщиками мы осуществляем комплексные и плановые поставки широчайшего спектра электронных компонентов.

Собственная эффективная логистика и склад в обеспечивает надежную поставку продукции в точно указанные сроки по всей России.

Мы осуществляем техническую поддержку нашим клиентам и предпродажную проверку качества продукции. На все поставляемые продукты мы предоставляем гарантию .

Осуществляем поставки продукции под контролем ВП МО РФ на предприятия военно-промышленного комплекса России , а также работаем в рамках 275 ФЗ с открытием отдельных счетов в уполномоченном банке. Система менеджмента качества компании соответствует требованиям ГОСТ ISO 9001.

Минимальные сроки поставки, гибкие цены, неограниченный ассортимент и индивидуальный подход к клиентам являются основой для выстраивания долгосрочного и эффективного сотрудничества с предприятиями радиоэлектронной промышленности, предприятиями ВПК и научно-исследовательскими институтами России.

С нами вы становитесь еще успешнее!

Наши контакты:

Телефон: +7 812 627 14 35

Электронная почта: sales@st-electron.ru

Адрес: 198099, Санкт-Петербург,
Промышленная ул, дом № 19, литера Н,
помещение 100-Н Офис 331