

NCN8025AEVB

Evaluation Board Manual for NCN8025A QFN-24



Prepared By: Philippe Andre

ON Semiconductor®

<http://onsemi.com>

EVALUATION BOARD MANUAL

INTRODUCTION

This document gives a detailed description of the NCN8025A Evaluation Board (QFN-24 version) with the Bill Of Material (BOM), board schematic and layout. The appropriate lab test setups are also provided. The NCN8025A Evaluation Board has been designed to help for a quick evaluation of the NCN8025A Compact and Cost-Effective Smart Card Interface device.

This document has to be used with the NCN8025A datasheet. The datasheet contains full technical details regarding the NCN8025A specifications and operation. The board (FR4 material) is implemented in two metal layers. The top and bottom layers have thicknesses of 35 μm . The PCB thickness is 1.6 mm with dimensions of 89 mm by 68 mm (see Figure 1).

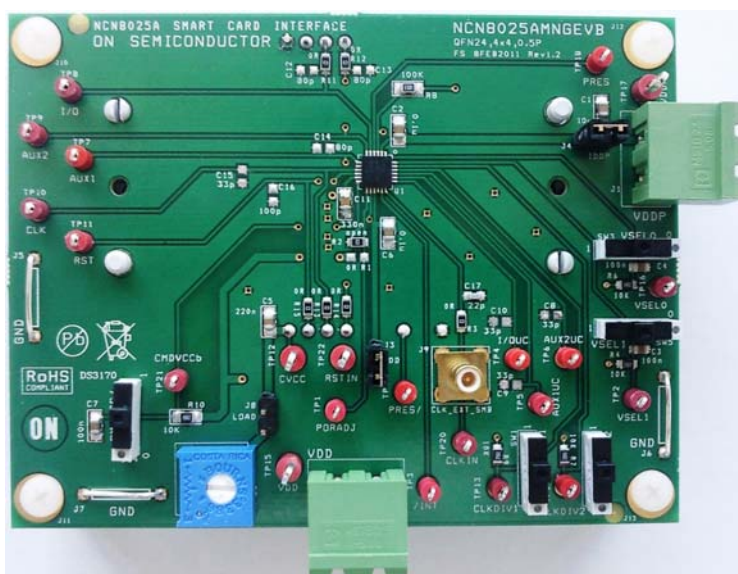


Figure 1. Demo Board

EQUIPMENT

| Description | Main Features | Example of Equipment (Note 1) | Qty. |
|------------------------|---|---|------|
| Regulated Power Supply | 200 mA DC current capability | Tektronix PS2520G | 2 |
| Multimeter | | Keitley 2000 or 2001 | 2 |
| Sourcemeater | | Keitley 2400 | 1 |
| Oscilloscope | 500 MHz Bandwidth, four channel scope, min 1 Mbit memory per channel (Note 2) | Tecktronix TDS744, 754 or 784 / TDS5054 series or Lecroy WR5060 TDS5104B, 1 GHz, 5GS/s | 1 |
| Voltage probe | 4 probes 500 MHz Bandwidth | Tektronix or Lecroy | 4 |
| Waveform generator | Pattern genarator | Agilent 81104A 80 MHz or HP8110A 150 MHz 2 outputs | 1 |
| SMB Cable | | External Clock Input | 1 |

1. Equipment used in the context of this Application Note Manual.
2. Greater Scope memory per channel offers better resolution.

TEST PROCEDURE

See Figure 2.

Initial Setups

The initial setups given here are recommended before starting measurements on the board.

- Set the CMDVCC/ in the OFF position (High).
- Set CLKDIV1 and CLKDIV2 into low position (lowest frequency Fclk)
- 2 pins are used to change the Card V_{CC} power supply or the smart card interface mode which can be 1.8 V, 3.0 V or 5.0 V. These 2 pins are VSEL0 and VSEL1 and on the board, changing VSEL0 and VSEL1 is done using 2 corresponding switches (see Figure 2) according to the below Table 1. When VSEL0 = 0 then VSEL1 is in the mode 5 V/3 Vbar, when VSEL0=1 then VSEL1 is in the mode 1.8 V / 3 Vbar. The initial setup can be VSEL0 = 0 and VSEL1 = 1 for selecting the 5 V mode. The card V_{CC} (CVCC) output voltage cannot be changed on the fly when the smart card interface is active (/CMDVCC = Low). For changing card V_{CC} it is necessary to deactivate the device then to reconfigure the card V_{CC} by setting the appropriate VSEL0 and VSEL1 finally the smart can be activated again with this new smart card power supply voltage.

Table 1. CVCC Programming

| VSEL0 | VSEL1 | CVCC |
|-------|-------|-------|
| 0 | 0 | 3.0 V |
| 0 | 1 | 5.0 V |
| 1 | 0 | 3.0 V |
| 1 | 1 | 1.8 V |

- As a precaution, turn the 1 kΩ potentiometer to obtain a resistor output value of 1 kΩ, and then connect the jumper.

DC Power Supplies

Two power supplies are used to bias the demo board. VDDP is the input voltage of LDO Regulator. VDD is the

“digital” power supply which biases the input stages of the NCN8025A device (control and signal inputs).

VDD and VDDP must be connected to the board to ensure correct operation. Connect the VDD and VDDP power supplies using the 2 pin male connectors J2 and J1 respectively.

Clock Frequency

CLKDIV1 and CLKDIV2 select the frequency divider according to the table given below.

Table 2. Clock Division Ratio Programming

| CLKDIV1 | CLKDIV2 | Divider |
|---------|---------|---------|
| 1 | 0 | DIV 1/1 |
| 1 | 1 | DIV 1/2 |
| 0 | 1 | DIV 1/4 |
| 0 | 0 | DIV 1/8 |

Card Presence

The socket we use is a normally open, so PRES/ has been chosen; nevertheless the PRES and PRES/ test points can also be used for signaling the presence of a card and starting up the circuit.

The Clock

The clock is applied externally (SMB connector).

Start the Measurement

To start the measurements, set the board as it follows:

- Set CLKDIV1 and CLKDIV2 to select the correct frequency.
- Set 5 V / 3 Vbar to select the correct output voltage.
- Jumpers:
 - 1 kΩ potentiometer jumper: not connected to start the measure.
- Finally, toggle /CMDVCC from High to Low to start the device (activation sequence run).

NCN8025AEVB

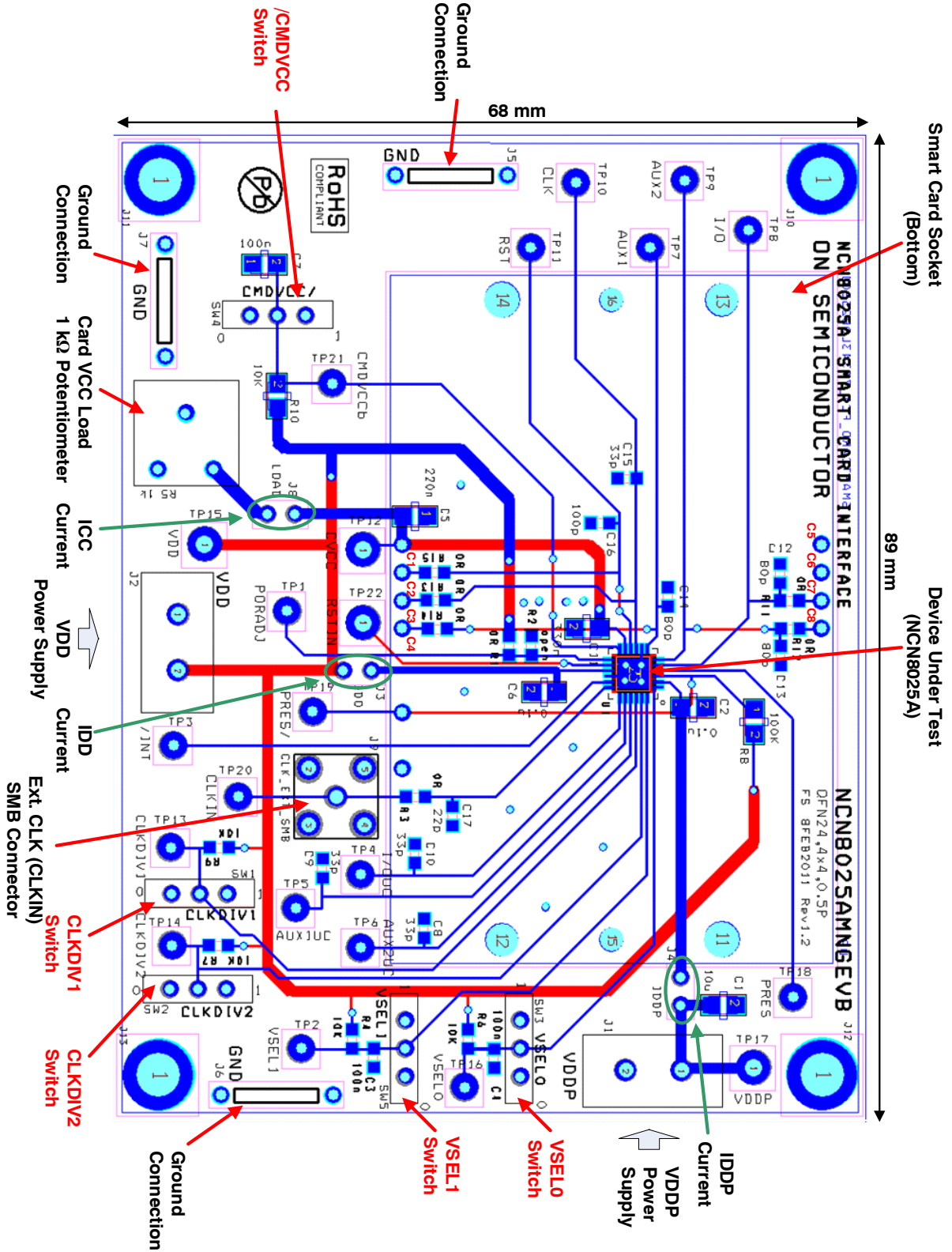


Figure 2. Board Description

NCN8025AEVB

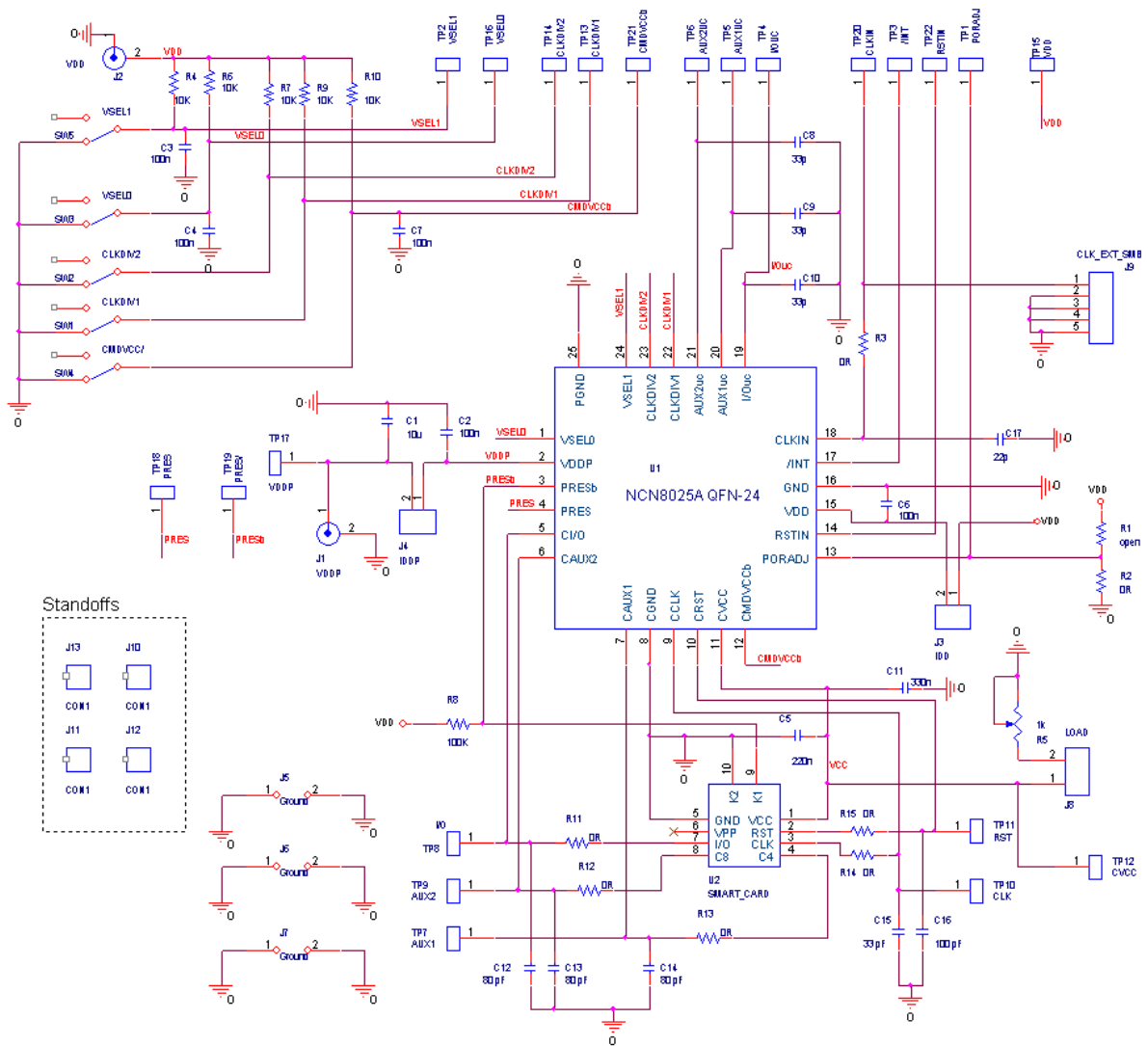


Figure 3. Board Schematic

NCN8025AEVB


Bill of Material

| Designator | Qty | Description | Value | Tol | Footprint | Manufacturer | Manufacturer Part # | Lead Free |
|---|-----|---|-------|-----|------------------------------------|------------------------------|---------------------|-----------|
| C1 | 1 | CAP CER 10UF 6.3V 20% X5R 0805 | 10uF | 20% | 0805 | Murata | GRM21BR60J106ME19L | Yes |
| C2, C6, C7 | 3 | CAP CER .1UF 25V 10% X7R 0805 | 100nF | 10% | 0805 | Murata | GRM21BR71E104KA01L | Yes |
| C3, C4 | 2 | CAP CER .1UF 25V 10% X7R 0603 | 100nF | 10% | 0603 | Murata | GRM188R71E104KA01D | Yes |
| C5 | 1 | CAP CER .22UF 16V X7R 10% 0805 | 220nF | 10% | 0805 | TDK Corporation | C2012X7R1C224K | Yes |
| C8, C9, C10, C15 | 4 | CAP CER 33PF 16V X7R 0603 | 33pF | 5% | 0603 | AVX Corporation | Do not populate | Yes |
| C11 | 1 | CAP CER .33UF 16V X7R 10% 0805 | 330nF | 10% | 0805 | TDK Corporation | C2012X7R1C334K/1.25 | Yes |
| C12, C13, C14 | 3 | Do not populate | 80pF | - | 0603 | Do not populate | Do not populate | - |
| C16 | 1 | Do not populate | 100pF | - | 0603 | Do not populate | Do not populate | - |
| C17 | 1 | CAP CERAMIC 22PF 50V NPO 0603 | 22pF | 5% | 0603 | Yageo | CC0603JRNP09BN220 | Yes |
| R1 | 1 | Do not populate | Open | - | 0805 | Do not populate | Do not populate | - |
| R2, R3, R11, R12, R13, R14, R15 | 7 | RES 0.0 OHM 1/8W 0603 SMD | 0R | - | 0603 | Stackpole Electronics Inc | RMCF0805ZT0R00 | Yes |
| R4, R6, R7, R9, R10 | 5 | CMS resistor 1%, 1/4W | 10k | 1% | 0603 | Philips Components | 232272461003 | Yes |
| R5 | 1 | Single turn Cermet trimmer, 1k, 0.5W, 10% | 1k | - | CERMET-72P T | Bourns | 3386F-102LF-ND | Yes |
| R8 | 1 | CMS resistor 1%, 1/4W | 100k | 1% | 0805 | Philips Components | 232272461004 | Yes |
| SW1 to SW5 | 5 | PCB slide switches | - | - | INTER3-2,54 | EAO | 09.03290.01 | Yes |
| TP1 to TP11, TP13, TP14, TP16, TP18 to TP21 | 18 | Clip Test Point, Hole Diameter 1.0mm (0.040 mil) | - | - | TP_1.0MMHO LE_KEYSTON E_5000 | Keystone | 5000 | Yes |
| TP12, TP15, TP17, TP22 | 4 | Clip Test Point, Hole Diameter 1.6mm (0.063 mil) | - | - | TP_1.6MMHO LE_KEYSTON E_5010 | Keystone | 5010 | Yes |
| J1,J2 | 2 | VDD, VDDP, 2-Pins Male Connector, 5.08mm Step | - | - | MSTBA2 | Phoenix Contact | MSTBA2.52G5.08 | Yes |

NCN8025AEVB

Bill of Material

| Designator | Qty | Description | Value | Tol | Footprint | Manufacturer | Manufacturer Part # | Lead Free |
|------------|-----|--|-------|-----|-----------------------------|----------------------|---------------------|-----------|
| J3, J4, J8 | 3 | IDD, IDDP, LOAD, Breakable Single Row Header (2 Pins) | - | - | CON2-2.54 | TYCO Amp | 5-826629-0 | Yes |
| J5, J6, J7 | 3 | Ground Strap, Brass, Diameter 1.0mm, Pitch 10.16mm, Height 9.9mm | - | - | GND_STRP | HARWIN | D3082-46 | Yes |
| J9 | 1 | SMB connector | - | - | SMB/V | IMS | 111510001 | Yes |
| U1 | 1 | NCN8025A Smart Card Interface | - | - | QFN 24 4X4 ENGINEERING | ON Semiconductor | NCN8025AMNTXG | Yes |
| U2 | 1 | Smart card socket | - | - | SMARTCARD_FCI_74343L0825S01 | FCI | 7434L0825S01LF | Yes |
| none | 4 | Standoff nut | - | - | STANDOFF HOLE | Keystone Electronics | 1903C | Yes |
| none | 4 | Standoff screw | - | - | STANDOFF HOLE | Keystone Electronics | 4814K-ND | Yes |

ON Semiconductor and  are registered trademarks of Semiconductor Components Industries, LLC (SCILLC). SCILLC reserves the right to make changes without further notice to any products herein. SCILLC makes no warranty, representation or guarantee regarding the suitability of its products for any particular purpose, nor does SCILLC assume any liability arising out of the application or use of any product or circuit, and specifically disclaims any and all liability, including without limitation special, consequential or incidental damages. "Typical" parameters which may be provided in SCILLC data sheets and/or specifications can and do vary in different applications and actual performance may vary over time. All operating parameters, including "Typicals" must be validated for each customer application by customer's technical experts. SCILLC does not convey any license under its patent rights nor the rights of others. SCILLC products are not designed, intended, or authorized for use as components in systems intended for surgical implant into the body, or other applications intended to support or sustain life, or for any other application in which the failure of the SCILLC product could create a situation where personal injury or death may occur. Should Buyer purchase or use SCILLC products for any such unintended or unauthorized application, Buyer shall indemnify and hold SCILLC and its officers, employees, subsidiaries, affiliates, and distributors harmless against all claims, costs, damages, and expenses, and reasonable attorney fees arising out of, directly or indirectly, any claim of personal injury or death associated with such unintended or unauthorized use, even if such claim alleges that SCILLC was negligent regarding the design or manufacture of the part. SCILLC is an Equal Opportunity/Affirmative Action Employer. This literature is subject to all applicable copyright laws and is not for resale in any manner.

PUBLICATION ORDERING INFORMATION

LITERATURE FULFILLMENT:

Literature Distribution Center for ON Semiconductor
P.O. Box 5163, Denver, Colorado 80217 USA
Phone: 303-675-2175 or 800-344-3860 Toll Free USA/Canada
Fax: 303-675-2176 or 800-344-3867 Toll Free USA/Canada
Email: orderlit@onsemi.com

N. American Technical Support: 800-282-9855 Toll Free USA/Canada
Europe, Middle East and Africa Technical Support:
Phone: 421 33 790 2910
Japan Customer Focus Center
Phone: 81-3-5773-3850

ON Semiconductor Website: www.onsemi.com

Order Literature: <http://www.onsemi.com/orderlit>

For additional information, please contact your local Sales Representative



**Стандарт
Электрон
Связь**

Мы молодая и активно развивающаяся компания в области поставок электронных компонентов. Мы поставляем электронные компоненты отечественного и импортного производства напрямую от производителей и с крупнейших складов мира.

Благодаря сотрудничеству с мировыми поставщиками мы осуществляем комплексные и плановые поставки широчайшего спектра электронных компонентов.

Собственная эффективная логистика и склад в обеспечивает надежную поставку продукции в точно указанные сроки по всей России.

Мы осуществляем техническую поддержку нашим клиентам и предпродажную проверку качества продукции. На все поставляемые продукты мы предоставляем гарантию .

Осуществляем поставки продукции под контролем ВП МО РФ на предприятия военно-промышленного комплекса России , а также работаем в рамках 275 ФЗ с открытием отдельных счетов в уполномоченном банке. Система менеджмента качества компании соответствует требованиям ГОСТ ISO 9001.

Минимальные сроки поставки, гибкие цены, неограниченный ассортимент и индивидуальный подход к клиентам являются основой для выстраивания долгосрочного и эффективного сотрудничества с предприятиями радиоэлектронной промышленности, предприятиями ВПК и научно-исследовательскими институтами России.

С нами вы становитесь еще успешнее!

Наши контакты:

Телефон: +7 812 627 14 35

Электронная почта: sales@st-electron.ru

Адрес: 198099, Санкт-Петербург,
Промышленная ул, дом № 19, литера Н,
помещение 100-Н Офис 331