

# SN54F374, SN74F374 OCTAL EDGE-TRIGGERED D-TYPE FLIP-FLOPS WITH 3-STATE OUTPUTS

SDFS077A – D2932, MARCH 1987 – REVISED OCTOBER 1993

- Eight D-Type Flip-Flops in a Single Package
- 3-State Bus-Driving True Outputs
- Full Parallel Access for Loading
- Buffered Control Inputs
- Package Options Include Plastic Small-Outline (SOIC) and Shrink Small-Outline (SSOP) Packages, Ceramic Chip Carriers, and Plastic and Ceramic DIPs

## description

These 8-bit flip-flops feature 3-state outputs designed specifically for driving highly capacitive or relatively low-impedance loads. They are particularly suitable for implementing buffer registers, I/O ports, bidirectional bus drivers, and working registers.

The eight flip-flops of the 'F374 are edge-triggered D-type flip-flops. On the positive transition of the clock (CLK) input, the Q outputs are set to the logic levels that were set up at the data (D) inputs.

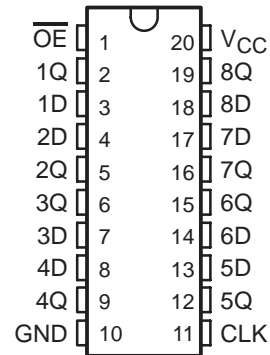
A buffered output enable ( $\overline{OE}$ ) input can be used to place the eight outputs in either a normal logic state (high or low) or a high-impedance state. In the high-impedance state, the outputs neither load nor drive the bus lines significantly. The high-impedance state and the increased drive provide the capability to drive bus lines without need for interface or pullup components.

The output enable ( $\overline{OE}$ ) input does not affect internal operations of the flip-flop. Old data can be retained or new data can be entered while the outputs are in the high-impedance state.

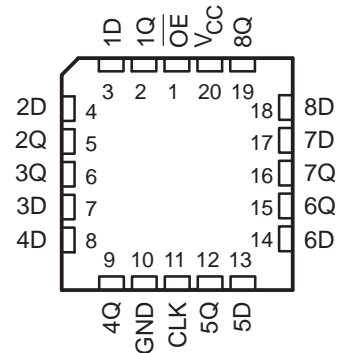
The SN74F374 is available in TI's shrink small-outline package (DB), which provides the same I/O pin count and functionality of standard small-outline packages in less than half the printed-circuit-board area.

The SN54F374 is characterized for operation over the full military temperature range of  $-55^{\circ}\text{C}$  to  $125^{\circ}\text{C}$ . The SN74F374 is characterized for operation from  $0^{\circ}\text{C}$  to  $70^{\circ}\text{C}$ .

SN54F374 . . . J PACKAGE  
SN74F374 . . . DB, DW, OR N PACKAGE  
(TOP VIEW)



SN54F374 . . . FK PACKAGE  
(TOP VIEW)



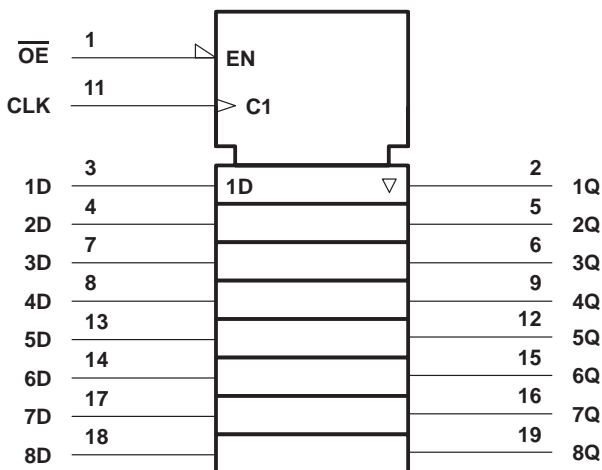
FUNCTION TABLE  
(each flip-flop)

| INPUTS          |            |   | OUTPUT |
|-----------------|------------|---|--------|
| $\overline{OE}$ | CLK        | D | Q      |
| L               | $\uparrow$ | H | H      |
| L               | $\uparrow$ | L | L      |
| L               | H or L     | X | $Q_0$  |
| H               | X          | X | Z      |

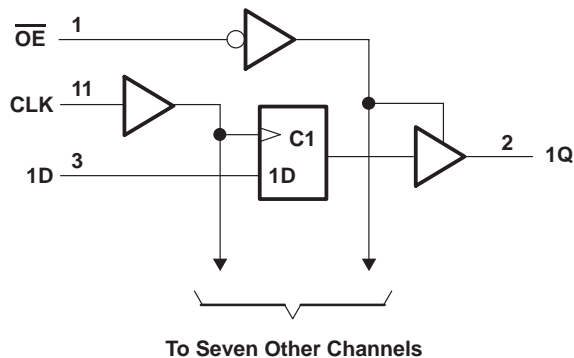
# SN54F374, SN74F374 OCTAL EDGE-TRIGGERED D-TYPE FLIP-FLOPS WITH 3-STATE OUTPUTS

SDFS077A – D2932, MARCH 1987 – REVISED OCTOBER 1993

## logic symbol†



## logic diagram (positive logic)



† This symbol is in accordance with ANSI/IEEE Std 91-1984 and IEC Publication 617-12.

## absolute maximum ratings over operating free-air temperature range (unless otherwise noted)‡

|  |                    |
|--|--------------------|
| Supply voltage range, $V_{CC}$   | –0.5 V to 7 V      |
| Input voltage range, $V_I$ (see Note 1)                                | –1.2 V to 7 V      |
| Input current range  | –30 mA to 5 mA     |
| Voltage range applied to any output in the disabled or power-off state | –0.5 V to 5.5 V    |
| Voltage range applied to any output in the high state                  | –0.5 V to $V_{CC}$ |
| Current into any output in the low state: SN54F374                     | 40 mA              |
| SN74F374   | 48 mA              |
| Operating free-air temperature range: SN54F374                         | –55°C to 125°C     |
| SN74F374   | 0°C to 70°C        |
| Storage temperature range  | –65°C to 150°C     |

‡ Stresses beyond those listed under “absolute maximum ratings” may cause permanent damage to the device. These are stress ratings only and functional operation of the device at these or any other conditions beyond those indicated under “recommended operating conditions” is not implied. Exposure to absolute-maximum-rated conditions for extended periods may affect device reliability.

NOTE 1: The input voltage ratings may be exceeded provided the input current ratings are observed.

## recommended operating conditions

|                                      | SN54F374 |     |     | SN74F374 |     |     | UNIT |
|--------------------------------------|----------|-----|-----|----------|-----|-----|------|
|                                      | MIN      | NOM | MAX | MIN      | NOM | MAX |      |
| $V_{CC}$ Supply voltage              | 4.5      | 5   | 5.5 | 4.5      | 5   | 5.5 | V    |
| $V_{IH}$ High-level input voltage    | 2        |     |     | 2        |     |     | V    |
| $V_{IL}$ Low-level input voltage     |          |     | 0.8 |          |     | 0.8 | V    |
| $I_{IK}$ Input clamp current         |          |     | –18 |          |     | –18 | mA   |
| $I_{OH}$ High-level output current   |          |     | –3  |          |     | –3  | mA   |
| $I_{OL}$ Low-level output current    |          |     | 20  |          |     | 24  | mA   |
| $T_A$ Operating free-air temperature | –55      |     | 125 | 0        |     | 70  | °C   |

# SN54F374, SN74F374 OCTAL EDGE-TRIGGERED D-TYPE FLIP-FLOPS WITH 3-STATE OUTPUTS

SDFS077A – D2932, MARCH 1987 – REVISED OCTOBER 1993

**electrical characteristics over recommended operating free-air temperature range (unless otherwise noted)**

| PARAMETER         | TEST CONDITIONS           |                         | SN54F374 |      |      | SN74F374 |      |      | UNIT          |
|-------------------|---------------------------|-------------------------|----------|------|------|----------|------|------|---------------|
|                   |                           |                         | MIN      | TYP† | MAX  | MIN      | TYP† | MAX  |               |
| $V_{IK}$          | $V_{CC} = 4.5\text{ V}$ , | $I_I = -18\text{ mA}$   |          |      | -1.2 |          |      | -1.2 | V             |
| $V_{OH}$          | $V_{CC} = 4.5\text{ V}$   | $I_{OH} = -1\text{ mA}$ | 2.5      | 3.4  |      | 2.5      | 3.4  |      | V             |
|                   |                           | $I_{OH} = -3\text{ mA}$ | 2.4      | 3.3  |      | 2.4      | 3.3  |      |               |
| $V_{OL}$          | $V_{CC} = 4.5\text{ V}$   | $I_{OL} = 20\text{ mA}$ |          | 0.3  | 0.5  |          |      |      | V             |
|                   |                           | $I_{OL} = 24\text{ mA}$ |          |      |      | 0.35     | 0.5  |      |               |
| $I_{OZH}$         | $V_{CC} = 5.5\text{ V}$ , | $V_O = 2.7\text{ V}$    |          |      | 50   |          |      | 50   | $\mu\text{A}$ |
| $I_{OZL}$         | $V_{CC} = 5.5\text{ V}$ , | $V_O = 0.5\text{ V}$    |          |      | -50  |          |      | -50  | $\mu\text{A}$ |
| $I_I$             | $V_{CC} = 5.5\text{ V}$ , | $V_I = 7\text{ V}$      |          |      | 0.1  |          |      | 0.1  | mA            |
| $I_{IH}$          | $V_{CC} = 5.5\text{ V}$ , | $V_I = 2.7\text{ V}$    |          |      | 20   |          |      | 20   | $\mu\text{A}$ |
| $I_{IL}$          | $V_{CC} = 5.5\text{ V}$ , | $V_I = 0.5\text{ V}$    |          |      | -0.6 |          |      | -0.6 | mA            |
| $I_{OS}^\ddagger$ | $V_{CC} = 5.5\text{ V}$ , | $V_O = 0$               | -60      |      | -150 | -60      |      | -150 | mA            |
| $I_{CCZ}$         | $V_{CC} = 5.5\text{ V}$ , | See Note 2              |          | 55   | 86   |          | 55   | 86   | mA            |

† All typical values are at  $V_{CC} = 5\text{ V}$ ,  $T_A = 25^\circ\text{C}$ .

‡ Not more than one output should be shorted at a time, and the duration of the short circuit should not exceed one second.

NOTE 2:  $I_{CCZ}$  is measured with  $\overline{OE}$  at 4.5 V and all other inputs grounded.

**timing requirements over recommended ranges of supply voltage and operating free-air temperature (unless otherwise noted)**

|                    |  | $V_{CC} = 5\text{ V}$ ,<br>$T_A = 25^\circ\text{C}$ |     | SN54F374 |     | SN74F374 |     | UNIT |
|--------------------|--|---|-----|----------|-----|----------|-----|------|
|                    |  | 'F374   |     | MIN      | MAX | MIN      | MAX |      |
|                    |  | MIN   | MAX |          |     |          |     |      |
| $f_{\text{clock}}$ | Clock frequency                              | 0   | 100 | 0        | 60  | 0        | 70  | MHz  |
| $t_w$              | Pulse duration                               | CLK high  | 7   | 7        | 7   | 7        |     | ns   |
|                    |  | CLK low   | 6   | 6        | 6   | 6        |     |      |
| $t_{su}$           | Setup time, data before $\text{CLK}\uparrow$ | High  | 2   | 2.5      | 2   | 2        |     | ns   |
|                    |  | Low   | 2   | 2        | 2   | 2        |     |      |
| $t_h$              | Hold time, data after $\text{CLK}\uparrow$   | High  | 2   | 2        | 2   | 2        |     | ns   |
|                    |  | Low   | 2   | 2.5      | 2   | 2        |     |      |

# SN54F374, SN74F374

## OCTAL EDGE-TRIGGERED D-TYPE FLIP-FLOPS WITH 3-STATE OUTPUTS

SDFS077A – D2932, MARCH 1987 – REVISED OCTOBER 1993

### switching characteristics (see Note 3)

| PARAMETER        | FROM (INPUT)    | TO (OUTPUT) | V <sub>CC</sub> = 5 V,<br>C <sub>L</sub> = 50 pF,<br>R <sub>L</sub> = 500 Ω,<br>T <sub>A</sub> = 25°C |     |      | V <sub>CC</sub> = 4.5 V to 5.5 V,<br>C <sub>L</sub> = 50 pF,<br>R <sub>L</sub> = 500 Ω,<br>T <sub>A</sub> = MIN to MAX† |      |          |      | UNIT |
|------------------|-----------------|-------------|---|-----|------|---|------|----------|------|------|
|                  |                 |             | 'F374   |     |      | SN54F374  |      | SN74F374 |      |      |
|                  |                 |             | MIN   | TYP | MAX  | MIN   | MAX  | MIN      | MAX  |      |
| f <sub>max</sub> |                 |             | 100   |     |      | 60  |      | 70       |      | MHz  |
| t <sub>PLH</sub> | CLK             | Q           | 3.2   | 6.1 | 8.5  | 3.2   | 10.5 | 3.2      | 10   | ns   |
| t <sub>PHL</sub> |                 |             | 3.2   | 6.1 | 8.5  | 3.2   | 11   | 3.2      | 10   |      |
| t <sub>PZH</sub> | $\overline{OE}$ | Q           | 1.2   | 8.6 | 11.5 | 1.2   | 14   | 1.2      | 12.5 | ns   |
| t <sub>PZL</sub> |                 |             | 1.2   | 5.4 | 7.5  | 1.2   | 10   | 1.2      | 8.5  |      |
| t <sub>PHZ</sub> | $\overline{OE}$ | Q           | 1.2   | 4.9 | 7    | 1.2   | 8    | 1.2      | 8    | ns   |
| t <sub>PLZ</sub> |                 |             | 1.2   | 3.9 | 5.5  | 1.2   | 7.5  | 1.2      | 6.5  |      |

† For conditions shown as MIN or MAX, use the appropriate value specified under recommended operating conditions.

NOTE 3: Load circuits and waveforms are shown in Section 1.

**PACKAGING INFORMATION**

| Orderable Device | Status <sup>(1)</sup> | Package Type | Package Drawing | Pins | Package Qty | Eco Plan <sup>(2)</sup>    | Lead/<br>Ball Finish | MSL Peak Temp <sup>(3)</sup> | Samples<br>(Requires Login) |
|------------------|-----------------------|--------------|-----------------|------|-------------|----------------------------|----------------------|------------------------------|-----------------------------|
| 5962-9759001Q2A  | ACTIVE                | LCCC         | FK              | 20   | 1           | TBD                        | Call TI              | Call TI                      |                             |
| 5962-9759001QRA  | ACTIVE                | CDIP         | J               | 20   | 1           | TBD                        | Call TI              | Call TI                      |                             |
| 5962-9759001QRA  | ACTIVE                | CDIP         | J               | 20   | 1           | TBD                        | Call TI              | Call TI                      |                             |
| 5962-9759001QSA  | ACTIVE                | CFP          | W               | 20   | 1           | TBD                        | Call TI              | Call TI                      |                             |
| 5962-9759001QSA  | ACTIVE                | CFP          | W               | 20   | 1           | TBD                        | Call TI              | Call TI                      |                             |
| JM38510/34105B2A | ACTIVE                | LCCC         | FK              | 20   | 1           | TBD                        | POST-PLATE           | N / A for Pkg Type           |                             |
| JM38510/34105B2A | ACTIVE                | LCCC         | FK              | 20   | 1           | TBD                        | POST-PLATE           | N / A for Pkg Type           |                             |
| JM38510/34105BRA | ACTIVE                | CDIP         | J               | 20   | 1           | TBD                        | A42                  | N / A for Pkg Type           |                             |
| JM38510/34105BRA | ACTIVE                | CDIP         | J               | 20   | 1           | TBD                        | A42                  | N / A for Pkg Type           |                             |
| JM38510/34105BSA | ACTIVE                | CFP          | W               | 20   | 1           | TBD                        | Call TI              | N / A for Pkg Type           |                             |
| JM38510/34105BSA | ACTIVE                | CFP          | W               | 20   | 1           | TBD                        | Call TI              | N / A for Pkg Type           |                             |
| M38510/34105B2A  | ACTIVE                | LCCC         | FK              | 20   | 1           | TBD                        | POST-PLATE           | N / A for Pkg Type           |                             |
| M38510/34105B2A  | ACTIVE                | LCCC         | FK              | 20   | 1           | TBD                        | POST-PLATE           | N / A for Pkg Type           |                             |
| M38510/34105BRA  | ACTIVE                | CDIP         | J               | 20   | 1           | TBD                        | A42                  | N / A for Pkg Type           |                             |
| M38510/34105BRA  | ACTIVE                | CDIP         | J               | 20   | 1           | TBD                        | A42                  | N / A for Pkg Type           |                             |
| M38510/34105BSA  | ACTIVE                | CFP          | W               | 20   | 1           | TBD                        | Call TI              | N / A for Pkg Type           |                             |
| M38510/34105BSA  | ACTIVE                | CFP          | W               | 20   | 1           | TBD                        | Call TI              | N / A for Pkg Type           |                             |
| SN54F374J        | ACTIVE                | CDIP         | J               | 20   | 1           | TBD                        | A42                  | N / A for Pkg Type           |                             |
| SN54F374J        | ACTIVE                | CDIP         | J               | 20   | 1           | TBD                        | A42                  | N / A for Pkg Type           |                             |
| SN74F374DBLE     | OBSOLETE              | SSOP         | DB              | 20   |             | TBD                        | Call TI              | Call TI                      |                             |
| SN74F374DBLE     | OBSOLETE              | SSOP         | DB              | 20   |             | TBD                        | Call TI              | Call TI                      |                             |
| SN74F374DBR      | ACTIVE                | SSOP         | DB              | 20   | 2000        | Green (RoHS<br>& no Sb/Br) | CU NIPDAU            | Level-1-260C-UNLIM           |                             |
| SN74F374DBR      | ACTIVE                | SSOP         | DB              | 20   | 2000        | Green (RoHS<br>& no Sb/Br) | CU NIPDAU            | Level-1-260C-UNLIM           |                             |
| SN74F374DBRE4    | ACTIVE                | SSOP         | DB              | 20   | 2000        | Green (RoHS<br>& no Sb/Br) | CU NIPDAU            | Level-1-260C-UNLIM           |                             |
| SN74F374DBRE4    | ACTIVE                | SSOP         | DB              | 20   | 2000        | Green (RoHS<br>& no Sb/Br) | CU NIPDAU            | Level-1-260C-UNLIM           |                             |
| SN74F374DBRG4    | ACTIVE                | SSOP         | DB              | 20   | 2000        | Green (RoHS<br>& no Sb/Br) | CU NIPDAU            | Level-1-260C-UNLIM           |                             |

| Orderable Device | Status <sup>(1)</sup> | Package Type | Package Drawing | Pins | Package Qty | Eco Plan <sup>(2)</sup>    | Lead/<br>Ball Finish | MSL Peak Temp <sup>(3)</sup> | Samples<br>(Requires Login) |
|------------------|-----------------------|--------------|-----------------|------|-------------|----------------------------|----------------------|------------------------------|-----------------------------|
| SN74F374DBRG4    | ACTIVE                | SSOP         | DB              | 20   | 2000        | Green (RoHS<br>& no Sb/Br) | CU NIPDAU            | Level-1-260C-UNLIM           |                             |
| SN74F374DW       | ACTIVE                | SOIC         | DW              | 20   | 25          | Green (RoHS<br>& no Sb/Br) | CU NIPDAU            | Level-1-260C-UNLIM           |                             |
| SN74F374DW       | ACTIVE                | SOIC         | DW              | 20   | 25          | Green (RoHS<br>& no Sb/Br) | CU NIPDAU            | Level-1-260C-UNLIM           |                             |
| SN74F374DWE4     | ACTIVE                | SOIC         | DW              | 20   | 25          | Green (RoHS<br>& no Sb/Br) | CU NIPDAU            | Level-1-260C-UNLIM           |                             |
| SN74F374DWE4     | ACTIVE                | SOIC         | DW              | 20   | 25          | Green (RoHS<br>& no Sb/Br) | CU NIPDAU            | Level-1-260C-UNLIM           |                             |
| SN74F374DWG4     | ACTIVE                | SOIC         | DW              | 20   | 25          | Green (RoHS<br>& no Sb/Br) | CU NIPDAU            | Level-1-260C-UNLIM           |                             |
| SN74F374DWG4     | ACTIVE                | SOIC         | DW              | 20   | 25          | Green (RoHS<br>& no Sb/Br) | CU NIPDAU            | Level-1-260C-UNLIM           |                             |
| SN74F374DWR      | ACTIVE                | SOIC         | DW              | 20   | 2000        | Green (RoHS<br>& no Sb/Br) | CU NIPDAU            | Level-1-260C-UNLIM           |                             |
| SN74F374DWR      | ACTIVE                | SOIC         | DW              | 20   | 2000        | Green (RoHS<br>& no Sb/Br) | CU NIPDAU            | Level-1-260C-UNLIM           |                             |
| SN74F374DWRE4    | ACTIVE                | SOIC         | DW              | 20   | 2000        | Green (RoHS<br>& no Sb/Br) | CU NIPDAU            | Level-1-260C-UNLIM           |                             |
| SN74F374DWRE4    | ACTIVE                | SOIC         | DW              | 20   | 2000        | Green (RoHS<br>& no Sb/Br) | CU NIPDAU            | Level-1-260C-UNLIM           |                             |
| SN74F374DWRG4    | ACTIVE                | SOIC         | DW              | 20   | 2000        | Green (RoHS<br>& no Sb/Br) | CU NIPDAU            | Level-1-260C-UNLIM           |                             |
| SN74F374DWRG4    | ACTIVE                | SOIC         | DW              | 20   | 2000        | Green (RoHS<br>& no Sb/Br) | CU NIPDAU            | Level-1-260C-UNLIM           |                             |
| SN74F374N        | ACTIVE                | PDIP         | N               | 20   | 20          | Pb-Free (RoHS)             | CU NIPDAU            | N / A for Pkg Type           |                             |
| SN74F374N        | ACTIVE                | PDIP         | N               | 20   | 20          | Pb-Free (RoHS)             | CU NIPDAU            | N / A for Pkg Type           |                             |
| SN74F374N3       | OBSOLETE              | PDIP         | N               | 20   |             | TBD                        | Call TI              | Call TI                      |                             |
| SN74F374N3       | OBSOLETE              | PDIP         | N               | 20   |             | TBD                        | Call TI              | Call TI                      |                             |
| SN74F374NE4      | ACTIVE                | PDIP         | N               | 20   | 20          | Pb-Free (RoHS)             | CU NIPDAU            | N / A for Pkg Type           |                             |
| SN74F374NE4      | ACTIVE                | PDIP         | N               | 20   | 20          | Pb-Free (RoHS)             | CU NIPDAU            | N / A for Pkg Type           |                             |
| SN74F374NSR      | ACTIVE                | SO           | NS              | 20   | 2000        | Green (RoHS<br>& no Sb/Br) | CU NIPDAU            | Level-1-260C-UNLIM           |                             |

| Orderable Device | Status <sup>(1)</sup> | Package Type | Package Drawing | Pins | Package Qty | Eco Plan <sup>(2)</sup> | Lead/<br>Ball Finish | MSL Peak Temp <sup>(3)</sup> | Samples<br>(Requires Login) |
|------------------|-----------------------|--------------|-----------------|------|-------------|-------------------------|----------------------|------------------------------|-----------------------------|
| SN74F374NSR      | ACTIVE                | SO           | NS              | 20   | 2000        | Green (RoHS & no Sb/Br) | CU NIPDAU            | Level-1-260C-UNLIM           |                             |
| SN74F374NSRE4    | ACTIVE                | SO           | NS              | 20   | 2000        | Green (RoHS & no Sb/Br) | CU NIPDAU            | Level-1-260C-UNLIM           |                             |
| SN74F374NSRE4    | ACTIVE                | SO           | NS              | 20   | 2000        | Green (RoHS & no Sb/Br) | CU NIPDAU            | Level-1-260C-UNLIM           |                             |
| SN74F374NSRG4    | ACTIVE                | SO           | NS              | 20   | 2000        | Green (RoHS & no Sb/Br) | CU NIPDAU            | Level-1-260C-UNLIM           |                             |
| SN74F374NSRG4    | ACTIVE                | SO           | NS              | 20   | 2000        | Green (RoHS & no Sb/Br) | CU NIPDAU            | Level-1-260C-UNLIM           |                             |
| SNJ54F374FK      | ACTIVE                | LCCC         | FK              | 20   | 1           | TBD                     | POST-PLATE           | N / A for Pkg Type           |                             |
| SNJ54F374FK      | ACTIVE                | LCCC         | FK              | 20   | 1           | TBD                     | POST-PLATE           | N / A for Pkg Type           |                             |
| SNJ54F374J       | ACTIVE                | CDIP         | J               | 20   | 1           | TBD                     | A42                  | N / A for Pkg Type           |                             |
| SNJ54F374J       | ACTIVE                | CDIP         | J               | 20   | 1           | TBD                     | A42                  | N / A for Pkg Type           |                             |
| SNJ54F374W       | ACTIVE                | CFP          | W               | 20   | 1           | TBD                     | Call TI              | N / A for Pkg Type           |                             |
| SNJ54F374W       | ACTIVE                | CFP          | W               | 20   | 1           | TBD                     | Call TI              | N / A for Pkg Type           |                             |

<sup>(1)</sup> The marketing status values are defined as follows:

**ACTIVE:** Product device recommended for new designs.

**LIFEBUY:** TI has announced that the device will be discontinued, and a lifetime-buy period is in effect.

**NRND:** Not recommended for new designs. Device is in production to support existing customers, but TI does not recommend using this part in a new design.

**PREVIEW:** Device has been announced but is not in production. Samples may or may not be available.

**OBSOLETE:** TI has discontinued the production of the device.

<sup>(2)</sup> Eco Plan - The planned eco-friendly classification: Pb-Free (RoHS), Pb-Free (RoHS Exempt), or Green (RoHS & no Sb/Br) - please check <http://www.ti.com/productcontent> for the latest availability information and additional product content details.

**TBD:** The Pb-Free/Green conversion plan has not been defined.

**Pb-Free (RoHS):** TI's terms "Lead-Free" or "Pb-Free" mean semiconductor products that are compatible with the current RoHS requirements for all 6 substances, including the requirement that lead not exceed 0.1% by weight in homogeneous materials. Where designed to be soldered at high temperatures, TI Pb-Free products are suitable for use in specified lead-free processes.

**Pb-Free (RoHS Exempt):** This component has a RoHS exemption for either 1) lead-based flip-chip solder bumps used between the die and package, or 2) lead-based die adhesive used between the die and leadframe. The component is otherwise considered Pb-Free (RoHS compatible) as defined above.

**Green (RoHS & no Sb/Br):** TI defines "Green" to mean Pb-Free (RoHS compatible), and free of Bromine (Br) and Antimony (Sb) based flame retardants (Br or Sb do not exceed 0.1% by weight in homogeneous material)

<sup>(3)</sup> MSL, Peak Temp. -- The Moisture Sensitivity Level rating according to the JEDEC industry standard classifications, and peak solder temperature.

---

**Important Information and Disclaimer:** The information provided on this page represents TI's knowledge and belief as of the date that it is provided. TI bases its knowledge and belief on information provided by third parties, and makes no representation or warranty as to the accuracy of such information. Efforts are underway to better integrate information from third parties. TI has taken and continues to take reasonable steps to provide representative and accurate information but may not have conducted destructive testing or chemical analysis on incoming materials and chemicals. TI and TI suppliers consider certain information to be proprietary, and thus CAS numbers and other limited information may not be available for release.

In no event shall TI's liability arising out of such information exceed the total purchase price of the TI part(s) at issue in this document sold by TI to Customer on an annual basis.

**OTHER QUALIFIED VERSIONS OF SN54F374, SN74F374 :**

- Catalog: [SN74F374](#)
- Military: [SN54F374](#)

NOTE: Qualified Version Definitions:

- Catalog - TI's standard catalog product
- Military - QML certified for Military and Defense Applications



**TAPE AND REEL INFORMATION**
**REEL DIMENSIONS**

**TAPE DIMENSIONS**


|    |   |
|----|---|
| A0 | Dimension designed to accommodate the component width     |
| B0 | Dimension designed to accommodate the component length    |
| K0 | Dimension designed to accommodate the component thickness |
| W  | Overall width of the carrier tape                         |
| P1 | Pitch between successive cavity centers                   |

**TAPE AND REEL INFORMATION**

\*All dimensions are nominal

| Device      | Package Type | Package Drawing | Pins | SPQ  | Reel Diameter (mm) | Reel Width W1 (mm) | A0 (mm) | B0 (mm) | K0 (mm) | P1 (mm) | W (mm) | Pin1 Quadrant |
|-------------|--------------|-----------------|------|------|--------------------|--------------------|---------|---------|---------|---------|--------|---------------|
| SN74F374DBR | SSOP         | DB              | 20   | 2000 | 330.0              | 16.4               | 8.2     | 7.5     | 2.5     | 12.0    | 16.0   | Q1            |
| SN74F374DWR | SOIC         | DW              | 20   | 2000 | 330.0              | 24.4               | 10.8    | 13.0    | 2.7     | 12.0    | 24.0   | Q1            |
| SN74F374NSR | SO           | NS              | 20   | 2000 | 330.0              | 24.4               | 8.2     | 13.0    | 2.5     | 12.0    | 24.0   | Q1            |

**TAPE AND REEL BOX DIMENSIONS**


\*All dimensions are nominal

| Device      | Package Type | Package Drawing | Pins | SPQ  | Length (mm) | Width (mm) | Height (mm) |
|-------------|--------------|-----------------|------|------|-------------|------------|-------------|
| SN74F374DBR | SSOP         | DB              | 20   | 2000 | 367.0       | 367.0      | 38.0        |
| SN74F374DWR | SOIC         | DW              | 20   | 2000 | 367.0       | 367.0      | 45.0        |
| SN74F374NSR | SO           | NS              | 20   | 2000 | 367.0       | 367.0      | 45.0        |

J (R-GDIP-T\*\*)

14 LEADS SHOWN

CERAMIC DUAL IN-LINE PACKAGE



| DIM \ PINS ** | 14                     | 16                     | 18                     | 20                     |
|---------------|------------------------|------------------------|------------------------|------------------------|
| A             | 0.300<br>(7,62)<br>BSC | 0.300<br>(7,62)<br>BSC | 0.300<br>(7,62)<br>BSC | 0.300<br>(7,62)<br>BSC |
| B MAX         | 0.785<br>(19,94)       | .840<br>(21,34)        | 0.960<br>(24,38)       | 1.060<br>(26,92)       |
| B MIN         | —                      | —                      | —                      | —                      |
| C MAX         | 0.300<br>(7,62)        | 0.300<br>(7,62)        | 0.310<br>(7,87)        | 0.300<br>(7,62)        |
| C MIN         | 0.245<br>(6,22)        | 0.245<br>(6,22)        | 0.220<br>(5,59)        | 0.245<br>(6,22)        |



4040083/F 03/03

- NOTES:
- All linear dimensions are in inches (millimeters).
  - This drawing is subject to change without notice.
  - This package is hermetically sealed with a ceramic lid using glass frit.
  - Index point is provided on cap for terminal identification only on press ceramic glass frit seal only.
  - Falls within MIL STD 1835 GDIP1-T14, GDIP1-T16, GDIP1-T18 and GDIP1-T20.

W (R-GDFP-F20)

CERAMIC DUAL FLATPACK



- NOTES:
- A. All linear dimensions are in inches (millimeters).
  - B. This drawing is subject to change without notice.
  - C. This package can be hermetically sealed with a ceramic lid using glass frit.
  - D. Index point is provided on cap for terminal identification only.
  - E. Falls within Mil-Std 1835 GDFP2-F20

FK (S-CQCC-N\*\*)

LEADLESS CERAMIC CHIP CARRIER

28 TERMINAL SHOWN



| NO. OF TERMINALS ** | A                |                  | B                |                  |
|---------------------|------------------|------------------|------------------|------------------|
|                     | MIN              | MAX              | MIN              | MAX              |
| 20                  | 0.342<br>(8,69)  | 0.358<br>(9,09)  | 0.307<br>(7,80)  | 0.358<br>(9,09)  |
| 28                  | 0.442<br>(11,23) | 0.458<br>(11,63) | 0.406<br>(10,31) | 0.458<br>(11,63) |
| 44                  | 0.640<br>(16,26) | 0.660<br>(16,76) | 0.495<br>(12,58) | 0.560<br>(14,22) |
| 52                  | 0.740<br>(18,78) | 0.761<br>(19,32) | 0.495<br>(12,58) | 0.560<br>(14,22) |
| 68                  | 0.938<br>(23,83) | 0.962<br>(24,43) | 0.850<br>(21,6)  | 0.858<br>(21,8)  |
| 84                  | 1.141<br>(28,99) | 1.165<br>(29,59) | 1.047<br>(26,6)  | 1.063<br>(27,0)  |



4040140/D 01/11

- NOTES:
- All linear dimensions are in inches (millimeters).
  - This drawing is subject to change without notice.
  - This package can be hermetically sealed with a metal lid.
  - Falls within JEDEC MS-004

N (R-PDIP-T\*\*)

PLASTIC DUAL-IN-LINE PACKAGE

16 PINS SHOWN



- NOTES:
- A. All linear dimensions are in inches (millimeters).
  - B. This drawing is subject to change without notice.
  - $\triangle C$  Falls within JEDEC MS-001, except 18 and 20 pin minimum body length (Dim A).
  - $\triangle D$  The 20 pin end lead shoulder width is a vendor option, either half or full width.

DW (R-PDSO-G20)

PLASTIC SMALL OUTLINE



- NOTES:
- All linear dimensions are in inches (millimeters). Dimensioning and tolerancing per ASME Y14.5M-1994.
  - This drawing is subject to change without notice.
  - Body dimensions do not include mold flash or protrusion not to exceed 0.006 (0,15).
  - Falls within JEDEC MS-013 variation AC.

DW (R-PDSO-G20)

PLASTIC SMALL OUTLINE



- NOTES:
- A. All linear dimensions are in millimeters.
  - B. This drawing is subject to change without notice.
  - C. Refer to IPC7351 for alternate board design.
  - D. Laser cutting apertures with trapezoidal walls and also rounding corners will offer better paste release. Customers should contact their board assembly site for stencil design recommendations. Refer to IPC-7525
  - E. Customers should contact their board fabrication site for solder mask tolerances between and around signal pads.



# MECHANICAL DATA

NS (R-PDSO-G\*\*)

PLASTIC SMALL-OUTLINE PACKAGE

14-PINS SHOWN



- NOTES:
- A. All linear dimensions are in millimeters.
  - B. This drawing is subject to change without notice.
  - C. Body dimensions do not include mold flash or protrusion, not to exceed 0,15.

DB (R-PDSO-G\*\*)

PLASTIC SMALL-OUTLINE

28 PINS SHOWN



- NOTES: A. All linear dimensions are in millimeters.  
 B. This drawing is subject to change without notice.  
 C. Body dimensions do not include mold flash or protrusion not to exceed 0,15.  
 D. Falls within JEDEC MO-150

## IMPORTANT NOTICE

Texas Instruments Incorporated and its subsidiaries (TI) reserve the right to make corrections, enhancements, improvements and other changes to its semiconductor products and services per JESD46C and to discontinue any product or service per JESD48B. Buyers should obtain the latest relevant information before placing orders and should verify that such information is current and complete. All semiconductor products (also referred to herein as "components") are sold subject to TI's terms and conditions of sale supplied at the time of order acknowledgment.

TI warrants performance of its components to the specifications applicable at the time of sale, in accordance with the warranty in TI's terms and conditions of sale of semiconductor products. Testing and other quality control techniques are used to the extent TI deems necessary to support this warranty. Except where mandated by applicable law, testing of all parameters of each component is not necessarily performed.

TI assumes no liability for applications assistance or the design of Buyers' products. Buyers are responsible for their products and applications using TI components. To minimize the risks associated with Buyers' products and applications, Buyers should provide adequate design and operating safeguards.

TI does not warrant or represent that any license, either express or implied, is granted under any patent right, copyright, mask work right, or other intellectual property right relating to any combination, machine, or process in which TI components or services are used. Information published by TI regarding third-party products or services does not constitute a license to use such products or services or a warranty or endorsement thereof. Use of such information may require a license from a third party under the patents or other intellectual property of the third party, or a license from TI under the patents or other intellectual property of TI.

Reproduction of significant portions of TI information in TI data books or data sheets is permissible only if reproduction is without alteration and is accompanied by all associated warranties, conditions, limitations, and notices. TI is not responsible or liable for such altered documentation. Information of third parties may be subject to additional restrictions.

Resale of TI components or services with statements different from or beyond the parameters stated by TI for that component or service voids all express and any implied warranties for the associated TI component or service and is an unfair and deceptive business practice. TI is not responsible or liable for any such statements.

Buyer acknowledges and agrees that it is solely responsible for compliance with all legal, regulatory and safety-related requirements concerning its products, and any use of TI components in its applications, notwithstanding any applications-related information or support that may be provided by TI. Buyer represents and agrees that it has all the necessary expertise to create and implement safeguards which anticipate dangerous consequences of failures, monitor failures and their consequences, lessen the likelihood of failures that might cause harm and take appropriate remedial actions. Buyer will fully indemnify TI and its representatives against any damages arising out of the use of any TI components in safety-critical applications.

In some cases, TI components may be promoted specifically to facilitate safety-related applications. With such components, TI's goal is to help enable customers to design and create their own end-product solutions that meet applicable functional safety standards and requirements. Nonetheless, such components are subject to these terms.

No TI components are authorized for use in FDA Class III (or similar life-critical medical equipment) unless authorized officers of the parties have executed a special agreement specifically governing such use.

Only those TI components which TI has specifically designated as military grade or "enhanced plastic" are designed and intended for use in military/aerospace applications or environments. Buyer acknowledges and agrees that any military or aerospace use of TI components which have **not** been so designated is solely at the Buyer's risk, and that Buyer is solely responsible for compliance with all legal and regulatory requirements in connection with such use.

TI has specifically designated certain components which meet ISO/TS16949 requirements, mainly for automotive use. Components which have not been so designated are neither designed nor intended for automotive use; and TI will not be responsible for any failure of such components to meet such requirements.

### Products

|                        |  |
|------------------------|--|
| Audio                  | <a href="http://www.ti.com/audio">www.ti.com/audio</a>                               |
| Amplifiers             | <a href="http://amplifier.ti.com">amplifier.ti.com</a>                               |
| Data Converters        | <a href="http://dataconverter.ti.com">dataconverter.ti.com</a>                       |
| DLP® Products          | <a href="http://www.dlp.com">www.dlp.com</a>   |
| DSP                    | <a href="http://dsp.ti.com">dsp.ti.com</a>   |
| Clocks and Timers      | <a href="http://www.ti.com/clocks">www.ti.com/clocks</a>                             |
| Interface              | <a href="http://interface.ti.com">interface.ti.com</a>                               |
| Logic                  | <a href="http://logic.ti.com">logic.ti.com</a>                                       |
| Power Mgmt             | <a href="http://power.ti.com">power.ti.com</a>                                       |
| Microcontrollers       | <a href="http://microcontroller.ti.com">microcontroller.ti.com</a>                   |
| RFID                   | <a href="http://www.ti-rfid.com">www.ti-rfid.com</a>                                 |
| OMAP Mobile Processors | <a href="http://www.ti.com/omap">www.ti.com/omap</a>                                 |
| Wireless Connectivity  | <a href="http://www.ti.com/wirelessconnectivity">www.ti.com/wirelessconnectivity</a> |

### Applications

|                               |  |
|-------------------------------|--|
| Automotive and Transportation | <a href="http://www.ti.com/automotive">www.ti.com/automotive</a>                         |
| Communications and Telecom    | <a href="http://www.ti.com/communications">www.ti.com/communications</a>                 |
| Computers and Peripherals     | <a href="http://www.ti.com/computers">www.ti.com/computers</a>                           |
| Consumer Electronics          | <a href="http://www.ti.com/consumer-apps">www.ti.com/consumer-apps</a>                   |
| Energy and Lighting           | <a href="http://www.ti.com/energy">www.ti.com/energy</a>                                 |
| Industrial                    | <a href="http://www.ti.com/industrial">www.ti.com/industrial</a>                         |
| Medical                       | <a href="http://www.ti.com/medical">www.ti.com/medical</a>                               |
| Security                      | <a href="http://www.ti.com/security">www.ti.com/security</a>                             |
| Space, Avionics and Defense   | <a href="http://www.ti.com/space-avionics-defense">www.ti.com/space-avionics-defense</a> |
| Video and Imaging             | <a href="http://www.ti.com/video">www.ti.com/video</a>                                   |

**TI E2E Community** [e2e.ti.com](http://e2e.ti.com)



## Стандарт Электрон Связь

Мы молодая и активно развивающаяся компания в области поставок электронных компонентов. Мы поставляем электронные компоненты отечественного и импортного производства напрямую от производителей и с крупнейших складов мира.

Благодаря сотрудничеству с мировыми поставщиками мы осуществляем комплексные и плановые поставки широчайшего спектра электронных компонентов.

Собственная эффективная логистика и склад в обеспечивает надежную поставку продукции в точно указанные сроки по всей России.

Мы осуществляем техническую поддержку нашим клиентам и предпродажную проверку качества продукции. На все поставляемые продукты мы предоставляем гарантию .

Осуществляем поставки продукции под контролем ВП МО РФ на предприятия военно-промышленного комплекса России , а также работаем в рамках 275 ФЗ с открытием отдельных счетов в уполномоченном банке. Система менеджмента качества компании соответствует требованиям ГОСТ ISO 9001.

Минимальные сроки поставки, гибкие цены, неограниченный ассортимент и индивидуальный подход к клиентам являются основой для выстраивания долгосрочного и эффективного сотрудничества с предприятиями радиоэлектронной промышленности, предприятиями ВПК и научно-исследовательскими институтами России.

С нами вы становитесь еще успешнее!

### Наши контакты:

**Телефон:** +7 812 627 14 35

**Электронная почта:** [sales@st-electron.ru](mailto:sales@st-electron.ru)

**Адрес:** 198099, Санкт-Петербург,  
Промышленная ул, дом № 19, литера Н,  
помещение 100-Н Офис 331