

18 Watt

- Energy Efficiency Level VI
- European CoC Tier 2
- Medical and ITE Approvals
- Interchangeable Mains Connectors
- Optional White Versions
- Output Voltages from 5 V to 24 V
- Class II Construction
- 3 Years Warranty



The ACM18 series of wall plug adaptors comply with the latest energy efficiency level VI standards with high active mode efficiency and extremely low no load power consumption. Available with a standard jack plug connector these adaptors suit a wide variety of cost sensitive industrial and medical applications while maintaining industry leading performance.

Dimensions:

ACM (body only):

3.46 x 1.18 x 1.95" (88.0 x 30.0 x 49.5 mm)

Models & Ratings

| Output Power | Output Voltage | Output Current | Total Regulation ⁽³⁾ | Efficiency ⁽⁴⁾ | Model Number ^(1,2,5) |
|--------------|----------------|----------------|---------------------------------|---------------------------|---------------------------------|
| 12.5 W | 5.0V | 2500 mA | 5% | 82.5% | ACM18US05 |
| 18.0 W | 9.0V | 2000 mA | 5% | 86.7% | ACM18US09 |
| | 12.0V | 1500 mA | 5% | 87.5% | ACM18US12 |
| | 15.0V | 1250 mA | 5% | 87.5% | ACM18US15 |
| | 18.0V | 1000 mA | 5% | 87.5% | ACM18US18 |
| | 24.0V | 750 mA | 5% | 87.5% | ACM18US24 |

Notes

1. Model number is for body only. AC input plugs must be ordered separately, see AC input plug section.
2. Other output voltages available, contact sales for details.
3. Total regulation includes initial set accuracy, line and load regulation.

4. Typical average value measured at 115 VAC.
5. For white case version add suffix '-W' e.g. ACM18US12-W. MOQ applies, contact sales for details.

Input

| Characteristic | Minimum | Typical | Maximum | Units | Notes & Conditions |
|---------------------|----------------------------------------|---------|---------|-------|------------------------------|
| Input Voltage | 90 | | 264 | VAC | |
| Input Frequency | 47 | | 63 | Hz | |
| Input Current | | | 0.21 | A | 230 VAC |
| Inrush Current | | | 70 | A | 240 VAC, cold start at 25 °C |
| Power Factor | | | | | EN61000-3-2, class A |
| No Load Input Power | | | 75 | mW | |
| Input Protection | Internal fuse in both line and neutral | | | | |

Output

| Characteristic | Minimum | Typical | Maximum | Units | Notes & Conditions |
|--------------------------|---------|---------|---------|-------------|-------------------------------------------------------------------------------------------------|
| Output Voltage | 5 | | 24 | V | See Models and Ratings table |
| Minimum Load | 0 | | | A | No minimum load required |
| Start Up Delay | | | 4 | s | |
| Start Up Rise Time | | 30 | | ms | |
| Hold Up Time | 10 | | | ms | Full load and 100 VAC |
| Total Regulation | | | 5 | % | See Models and Ratings table |
| Transient Response | | | 4 | % deviation | Recovery within <1% within 500 µs for a 60% step load change at 0.15 A/µs |
| Ripple & Noise | | | 150 | mV pk-pk | Measured with 20 MHz bandwidth and 10 µF electrolytic in parallel with 0.1 µF ceramic capacitor |
| Short Circuit Protection | | | | | Continuous, trip and restart (hiccup mode) with auto recovery |
| Temperature Coefficient | | | 0.05 | %/°C | |

General

| Characteristic | Minimum | Typical | Maximum | Units | Notes & Conditions |
|---------------------------|---------|------------|---------|--------|-------------------------------------------------------------------------------------------|
| Efficiency | | 87 | | % | Typical average of efficiencies measured at 25%, 50%, 75% and 100% load and 115 VAC input |
| Energy Efficiency | | | | | Level VI |
| Isolation | 4000 | | | VAC | Input to Output, 2 x MOPP |
| Leakage Current | | 30 | 100 | µA | At 264 VAC, 60 Hz, from output to ground |
| Switching Frequency | 24 | | 70 | kHz | Variable |
| Mean Time Between Failure | 250 | | | kHrs | MIL-HDBK-217F at 25 °C GB |
| Weight | | 0.35 (160) | | lb (g) | Body only |

Environmental

| Characteristic | Minimum | Typical | Maximum | Units | Notes & Conditions |
|-----------------------|---------|---------|---------|-------|---------------------------------------------------------|
| Operating Temperature | 0 | | +60 | °C | Derate from 100% load at 40 °C to 50% load at 60 °C |
| Storage Temperature | -20 | | +85 | °C | |
| Operating Humidity | 5 | | 90 | % | RH, non-condensing |
| Operating Altitude | | | 5000 | m | |
| Cooling | | | | | Natural convection |
| Shock | | | | | 1 m drop onto concrete on each of 6 axes, non operating |
| Vibration | 10 | | 300 | Hz | 2 g, 0.3 decades/min, 15 mins for each of 3 axes |

EMC: Emissions

| Phenomenon | Standard | Test Level | Notes & Conditions |
|------------------|-------------|------------|--------------------|
| Conducted | EN55032 | Level B | |
| Radiated | EN55032 | Level B | |
| Harmonic Current | EN61000-3-2 | Class A | |
| Voltage Flicker | EN61000-3-3 | | |

EMC: Immunity

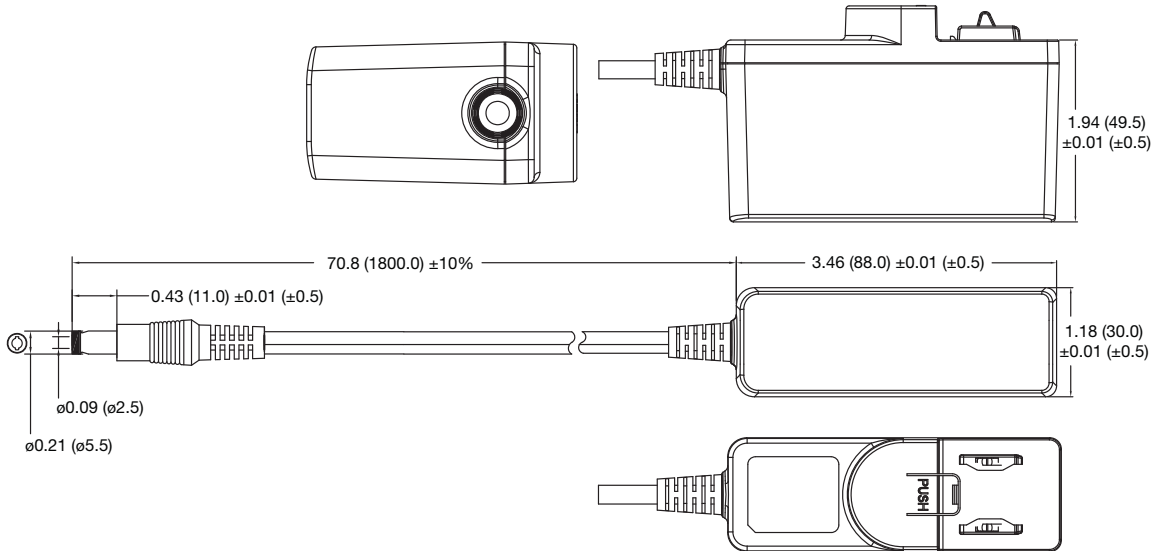
| Phenomenon | Standard | Test Level | Criteria | Notes & Conditions |
|------------------------|--------------|---------------------------|----------|--------------------|
| Medical Device EMC | IEC60601-1-2 | Ed.4.0 : 2014 | as below | |
| Low Voltage PSU EMC | EN61204-3 | High severity level | as below | |
| ESD Immunity | EN61000-4-2 | ±8 kV contact, ±15 kV air | A | |
| Radiated Immunity | EN61000-4-3 | 10 V/m | A | |
| EFT/Burst | EN61000-4-4 | Level 3 | A | |
| Surge | EN61000-4-5 | Level 2 | A | |
| Conducted Immunity | EN61000-4-6 | 6 V | A | |
| Magnetic Fields | EN61000-4-8 | 30 A/m | A | |
| Dips and Interruptions | EN61000-4-11 | Dip: 100% 10 ms | A | |
| | | Dip: 70% 500 ms | B | |
| | | Int: 100% 5000 ms | B | |
| | EN60601-1-2 | Dip: 30% 25 AC Cycles | A | |
| | | Int: 100% 0.5 AC Cycle | A | At 8 angles |
| | | Int: 100% 1 AC Cycle | B | |
| | | Int.: >95% 5000 ms | B | |

Safety Approvals

| Safety Agency | Safety Standard | Notes & Conditions |
|---------------|----------------------------------------|------------------------|
| UL | UL60950-1, UL62368-1 | Information Technology |
| TUV | EN60950-1, EN62368-1 | |
| CB | IEC60950-1, IEC62368-1 | |
| CE | LVD | |
| CCC | China Compulsory Certification, GB4943 | |
| AU/NZ | AU/NZ 60950.1 | |
| UL | ANSI/AAMI ES 60601-1 | Medical, 2 x MOPP |
| CSA | CSA C22.2 No. 60601 | |
| TUV | EN60601-1 | |
| CB | IEC60601-1 | |

Mechanical Details

ACM18USXX



AC Input Plugs

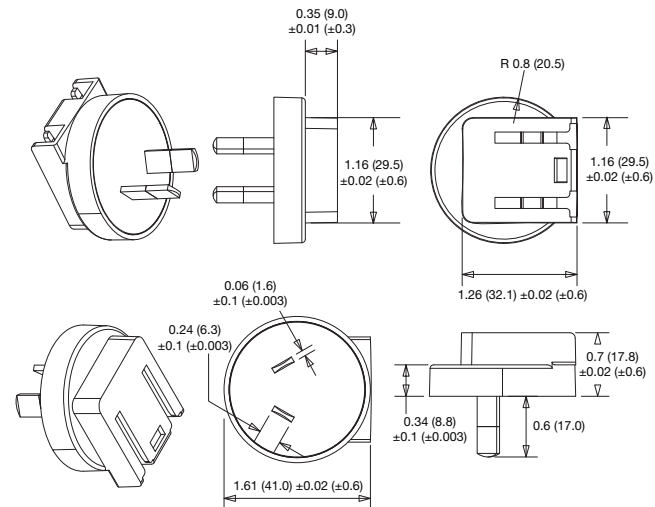
Black UK Plug: ACM PLUG UK
White UK Plug: ACM PLUG UK W

Black USA Plug: ACM PLUG US
White USA Plug: ACM PLUG US W



AC Input Plugs

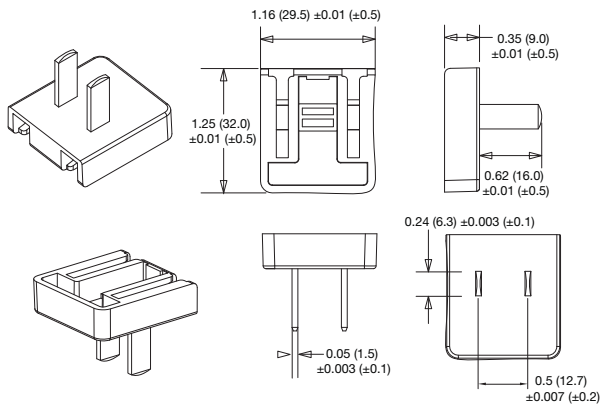
Black Australian Plug: ACM PLUG AU
White Australian Plug: ACM PLUG AU W



Black European Plug: ACM PLUG EU
White European Plug: ACM PLUG EU W



Black China Plug: ACM PLUG CN
White China Plug: ACM PLUG CN W





Стандарт Электрон Связь

Мы молодая и активно развивающаяся компания в области поставок электронных компонентов. Мы поставляем электронные компоненты отечественного и импортного производства напрямую от производителей и с крупнейших складов мира.

Благодаря сотрудничеству с мировыми поставщиками мы осуществляем комплексные и плановые поставки широчайшего спектра электронных компонентов.

Собственная эффективная логистика и склад в обеспечивает надежную поставку продукции в точно указанные сроки по всей России.

Мы осуществляем техническую поддержку нашим клиентам и предпродажную проверку качества продукции. На все поставляемые продукты мы предоставляем гарантию .

Осуществляем поставки продукции под контролем ВП МО РФ на предприятия военно-промышленного комплекса России , а также работаем в рамках 275 ФЗ с открытием отдельных счетов в уполномоченном банке. Система менеджмента качества компании соответствует требованиям ГОСТ ISO 9001.

Минимальные сроки поставки, гибкие цены, неограниченный ассортимент и индивидуальный подход к клиентам являются основой для выстраивания долгосрочного и эффективного сотрудничества с предприятиями радиоэлектронной промышленности, предприятиями ВПК и научно-исследовательскими институтами России.

С нами вы становитесь еще успешнее!

Наши контакты:

Телефон: +7 812 627 14 35

Электронная почта: sales@st-electron.ru

Адрес: 198099, Санкт-Петербург,
Промышленная ул, дом № 19, литера Н,
помещение 100-Н Офис 331