



Main

| | |
|---------------------------|--|
| Range of product | OsiSense XM |
| Product or component type | Electronic pressure sensors |
| Pressure sensor type | Pressure transmitter |
| Pressure sensor name | XMLP |
| Electrical circuit type | Control circuit |
| Pressure sensor size | 145.04 psi (10 bar) |
| Local display | Without |
| Controlled fluid | Air -4...248 °F (-20...120 °C) Fresh water 32...248 °F (0...120 °C) Hydraulic oil -4...248 °F (-20...120 °C) Gas -4...248 °F (-20...120 °C) Refrigeration fluid -4...248 °F (-20...120 °C) |
| Fluid connection type | G 1/4A (male) conforming to DIN 3852-E |
| Electrical connection | 1 male connector EN 175301-803-A (ex DIN43650) 3 pins |
| [Us] rated supply voltage | 12...24 V DC SELV, voltage limits: 8...30 V |
| Current consumption | < 20 mA |
| Type of output signal | Analogue |
| Analogue output function | 4...20 mA, 2-wire |
| Quantity per set | Set of 1 |
| Type of packing | Individual |

Complementary

| | |
|---|---|
| Pressure setting range | 0...145.04 psi (0...10 bar) |
| Maximum permissible accidental pressure | 290.08 psi (20 bar) |
| Destruction pressure | 1450.38 psi (100 bar) |
| Materials in contact with fluid | Stainless steel type 17-4PH Stainless steel type AISI 304 Fluorocarbon FKM (Viton) |
| Operating position | Any position |
| Protection type | Load short-circuit Reverse polarity |
| Electromagnetic compatibility | Susceptibility to electromagnetic fields conforming to EN/IEC 61000-4-3 - test level 10 V/m (f = 80...1000 MHz) Electrical fast transient/burst immunity test conforming to EN/IEC 61000-4-4 - test level 2 kV 1.2/50 µs shock waves immunity test conforming to EN/IEC 61000-4-5 - test level 500 V 12 Ohm, 1 kV 42 Ohm Radiated RF fields conforming to EN/IEC 61000-4-6 - test level 10 V (f = 0.15...80 MHz) Electrostatic discharge immunity test conforming to EN/IEC 61000-4-2 - test level 8 kV air, 4 kV contact |
| [Uimp] rated impulse withstand voltage | 0.5 kV |
| Response time on output | < 5 ms for 92 % of full scale |
| Measurement accuracy | +/- 0.5 % of the measuring range |
| Accuracy | Infinity |
| Drift of the sensitivity | +/- 0.02 % of measuring range/°K |
| Drift of the zero point | +/- 0.02 % of measuring range/°K |
| Repeat accuracy | +/- 0.2 % of the measuring range |
| Mechanical durability | >= 10000000 cycles |
| Product weight | 0.11 lb(US) (0.05 kg) |
| Diameter | 1.18 in (30 mm) |
| Length | 0.98 in (25 mm) |

The information provided in this documentation contains general descriptions and/or technical characteristics of the products contained herein. This documentation is not intended as a substitute for and is not to be used for determining suitability or reliability of these products for specific user applications. It is the duty of any such user or integrator to perform the appropriate and complete risk analysis, evaluation and testing of the products with respect to the relevant specific application or use thereof. Neither Schneider Electric Industries SAS nor any of its affiliates or subsidiaries shall be responsible or liable for misuse of the information contained herein.

Environment

| | |
|---------------------------------------|--|
| standards | CE EN/IEC 61326-1 |
| product certifications | CULus RCM EAC |
| protective treatment | TC |
| ambient air temperature for operation | -22...212 °F (-30...100 °C) |
| ambient air temperature for storage | -22...212 °F (-30...100 °C) |
| vibration resistance | 20 gn (f = 10...2000 Hz) conforming to EN/IEC 60068-2-64 |
| shock resistance | 25 gn 11 ms conforming to EN/IEC 60068-2-27 |
| IP degree of protection | IP65 conforming to EN/IEC 60529 |

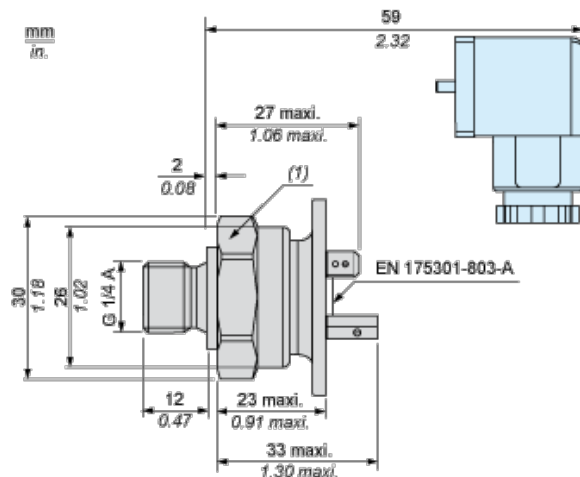
Offer Sustainability

| | |
|--|--|
| Not Green Premium product | Not Green Premium product |
| Compliant - since 1136 - Schneider Electric declaration of conformity | Compliant - since 1136 - Schneider Electric declaration of conformity |
| WARNING: This product can expose you to chemicals including: | WARNING: This product can expose you to chemicals including: |
| Diisononyl phthalate (DINP), which is known to the State of California to cause cancer, and | Diisononyl phthalate (DINP), which is known to the State of California to cause cancer, and |
| Di-isodecyl phthalate (DIDP), which is known to the State of California to cause birth defects or other reproductive harm. | Di-isodecyl phthalate (DIDP), which is known to the State of California to cause birth defects or other reproductive harm. |
| For more information go to www.p65warnings.ca.gov | For more information go to www.p65warnings.ca.gov |

Contractual warranty

| | |
|-----------------|-----------|
| Warranty period | 18 months |
|-----------------|-----------|

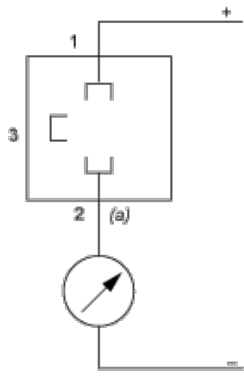
Dimensions



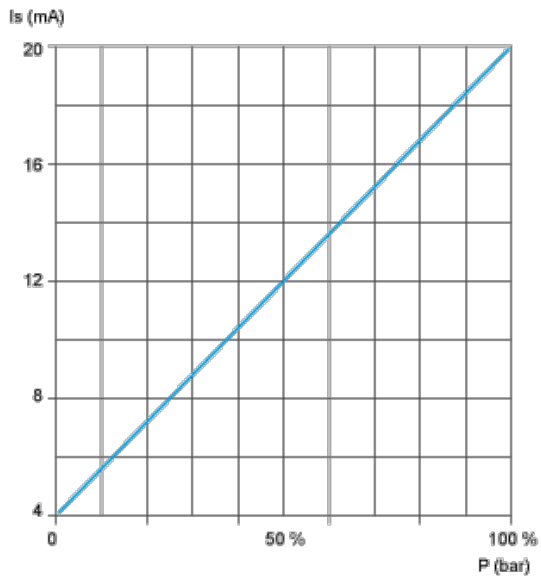
(1) SW27 Tightening torque ≤ 25 Nm / 221 Lb-in

Wiring Diagram

2-Wire Technique (4-20 mA)



Curves





Стандарт Электрон Связь

Мы молодая и активно развивающаяся компания в области поставок электронных компонентов. Мы поставляем электронные компоненты отечественного и импортного производства напрямую от производителей и с крупнейших складов мира.

Благодаря сотрудничеству с мировыми поставщиками мы осуществляем комплексные и плановые поставки широчайшего спектра электронных компонентов.

Собственная эффективная логистика и склад в обеспечивает надежную поставку продукции в точно указанные сроки по всей России.

Мы осуществляем техническую поддержку нашим клиентам и предпродажную проверку качества продукции. На все поставляемые продукты мы предоставляем гарантию .

Осуществляем поставки продукции под контролем ВП МО РФ на предприятия военно-промышленного комплекса России , а также работаем в рамках 275 ФЗ с открытием отдельных счетов в уполномоченном банке. Система менеджмента качества компании соответствует требованиям ГОСТ ISO 9001.

Минимальные сроки поставки, гибкие цены, неограниченный ассортимент и индивидуальный подход к клиентам являются основой для выстраивания долгосрочного и эффективного сотрудничества с предприятиями радиоэлектронной промышленности, предприятиями ВПК и научно-исследовательскими институтами России.

С нами вы становитесь еще успешнее!

Наши контакты:

Телефон: +7 812 627 14 35

Электронная почта: sales@st-electron.ru

Адрес: 198099, Санкт-Петербург,
Промышленная ул, дом № 19, литера Н,
помещение 100-Н Офис 331