

## Transmissive Optical Sensor with Phototransistor Output



19180\_4



19180\_3

### DESCRIPTION

The TCST2103, TCST2202, and TCST2300 are transmissive sensors that include an infrared emitter and phototransistor, located face-to-face on the optical axes in a leaded package which blocks visible light. These part numbers include options for aperture width.

### FEATURES

- Package type: leaded
- Detector type: phototransistor
- Dimensions (L x W x H in mm): 24.5 x 6.3 x 10.8
- Gap (in mm): 3.1
- Typical output current under test:  $I_C = 4$  mA (TCST2103)
- Typical output current under test:  $I_C = 2$  mA (TCST2202)
- Typical output current under test:  $I_C = 0.5$  mA (TCST2300)
- Daylight blocking filter
- Emitter wavelength: 950 nm
- Lead (Pb)-free soldering released
- Compliant to RoHS directive 2002/95/EC and in accordance to WEEE 2002/96/EC



**RoHS**  
COMPLIANT

### APPLICATIONS

- Optical switch
- Photo interrupter
- Counter
- Encoder

### PRODUCT SUMMARY

| PART NUMBER | GAP WIDTH (mm) | APERTURE WIDTH (mm) | TYPICAL OUTPUT CURRENT UNDER TEST <sup>(1)</sup> (mA) | DAYLIGHT BLOCKING FILTER INTEGRATED |
|-------------|----------------|---------------------|---|-------------------------------------|
| TCST2103    | 3.1            | 1                   | 4   | Yes                                 |
| TCST2202    | 3.1            | 0.5                 | 2   | Yes                                 |
| TCST2300    | 3.1            | 0.25                | 0.5   | Yes                                 |

**Note**

<sup>(1)</sup> Conditions like in table basic characteristics/coupler

### ORDERING INFORMATION

| ORDERING CODE | PACKAGING | VOLUME <sup>(1)</sup>      | REMARKS              |
|---------------|-----------|----------------------------|----------------------|
| TCST2103      | Tube      | MOQ: 1020 pcs, 85 pcs/tube | With mounting flange |
| TCST2202      | Tube      | MOQ: 1020 pcs, 85 pcs/tube | With mounting flange |
| TCST2300      | Tube      | MOQ: 1020 pcs, 85 pcs/tube | With mounting flange |

**Note**

<sup>(1)</sup> MOQ: minimum order quantity

### ABSOLUTE MAXIMUM RATINGS <sup>(1)</sup>

| PARAMETER                 | TEST CONDITION                          | SYMBOL    | VALUE         | UNIT |
|---------------------------|---|-----------|---------------|------|
| <b>COUPLER</b>            |   |           |               |      |
| Total power dissipation   | $T_{amb} \leq 25$ °C                    | $P_{tot}$ | 250           | mW   |
| Ambient temperature range |   | $T_{amb}$ | - 55 to + 85  | °C   |
| Storage temperature range |   | $T_{stg}$ | - 55 to + 100 | °C   |
| Soldering temperature     | Distance to package: 2 mm; $t \leq 5$ s | $T_{sd}$  | 260           | °C   |

| ABSOLUTE MAXIMUM RATINGS (1) |  |           |       |                  |
|------------------------------|--|-----------|-------|------------------|
| PARAMETER                    | TEST CONDITION                           | SYMBOL    | VALUE | UNIT             |
| <b>INPUT (EMITTER)</b>       |  |           |       |                  |
| Reverse voltage              |  | $V_R$     | 6     | V                |
| Forward current              |  | $I_F$     | 60    | mA               |
| Forward surge current        | $t_p \leq 10 \mu s$                      | $I_{FSM}$ | 3     | A                |
| Power dissipation            | $T_{amb} \leq 25 \text{ }^\circ\text{C}$ | $P_V$     | 100   | mW               |
| Junction temperature         |  | $T_j$     | 100   | $^\circ\text{C}$ |
| <b>OUTPUT (DETECTOR)</b>     |  |           |       |                  |
| Collector emitter voltage    |  | $V_{CEO}$ | 70    | V                |
| Emitter collector voltage    |  | $V_{ECO}$ | 7     | V                |
| Collector peak current       | $t_p/T = 0.5, t_p \leq 10 \text{ ms}$    | $I_{CM}$  | 200   | mA               |
| Power dissipation            | $T_{amb} \leq 25 \text{ }^\circ\text{C}$ | $P_V$     | 150   | mW               |
| Junction temperature         |  | $T_j$     | 100   | $^\circ\text{C}$ |

**Note**

(1)  $T_{amb} = 25 \text{ }^\circ\text{C}$ , unless otherwise specified

**ABSOLUTE MAXIMUM RATINGS**



Fig. 1 - Power Dissipation Limit vs. Ambient Temperature

| BASIC CHARACTERISTICS (1)   |  |          |             |      |      |      |      |
|---|--|----------|-------------|------|------|------|------|
| PARAMETER   | TEST CONDITION                               | PART     | SYMBOL      | MIN. | TYP. | MAX. | UNIT |
| <b>COUPLER</b>  |  |          |             |      |      |      |      |
| Current transfer ratio  | $V_{CE} = 5 \text{ V}, I_F = 20 \text{ mA}$  | TCST2103 | CTR         | 10   | 20   |      | %    |
|   |  | TCST2202 | CTR         | 5    | 10   |      | %    |
|   |  | TCST2300 | CTR         | 1.25 | 2.5  |      | %    |
| Collector current   | $V_{CE} = 5 \text{ V}, I_F = 20 \text{ mA}$  | TCST2103 | $I_C$       | 2    | 4    |      | mA   |
|   |  | TCST2202 | $I_C$       | 1    | 2    |      | mA   |
|   |  | TCST2300 | $I_C$       | 0.25 | 0.5  |      | mA   |
| Collector emitter saturation voltage                                | $I_F = 20 \text{ mA}, I_C = 1 \text{ mA}$    | TCST2103 | $V_{CEsat}$ |      |      | 0.4  | V    |
|   | $I_F = 20 \text{ mA}, I_C = 0.5 \text{ mA}$  | TCST2202 | $V_{CEsat}$ |      |      | 0.4  | V    |
|   | $I_F = 20 \text{ mA}, I_C = 0.1 \text{ mA}$  | TCST2300 | $V_{CEsat}$ |      |      | 0.4  | V    |
| Resolution, path of the shutter crossing the radiant sensitive zone | $I_{Crel} = 10 \text{ \% to } 90 \text{ \%}$ | TCST2103 | s           |      | 0.6  |      | mm   |
|   |  | TCST2202 | s           |      | 0.4  |      | mm   |
|   |  | TCST2300 | s           |      | 0.2  |      | mm   |

| BASIC CHARACTERISTICS (1)        |   |      |           |      |      |      |               |
|----------------------------------|---|------|-----------|------|------|------|---------------|
| PARAMETER                        | TEST CONDITION  | PART | SYMBOL    | MIN. | TYP. | MAX. | UNIT          |
| <b>INPUT (EMITTER)</b>           |   |      |           |      |      |      |               |
| Forward voltage                  | $I_F = 60 \text{ mA}$   |      | $V_F$     |      | 1.25 | 1.6  | V             |
| Junction capacitance             | $V_R = 0 \text{ V}, f = 1 \text{ MHz}$  |      | $C_j$     |      | 50   |      | pF            |
| <b>OUTPUT (DETECTOR)</b>         |   |      |           |      |      |      |               |
| Collector emitter voltage        | $I_C = 1 \text{ mA}$  |      | $V_{CEO}$ | 70   |      |      | V             |
| Emitter collector voltage        | $I_E = 10 \text{ } \mu\text{A}$   |      | $V_{ECO}$ | 7    |      |      | V             |
| Collector dark current           | $V_{CE} = 25 \text{ V}, I_F = 0 \text{ A}, E = 0 \text{ lx}$                      |      | $I_{CEO}$ |      |      | 100  | nA            |
| <b>SWITCHING CHARACTERISTICS</b> |   |      |           |      |      |      |               |
| Turn-on time                     | $I_C = 2 \text{ mA}, V_S = 5 \text{ V}, R_L = 100 \text{ } \Omega$ (see figure 2) |      | $t_{on}$  |      | 10   |      | $\mu\text{s}$ |
| Turn-off time                    | $I_C = 2 \text{ mA}, V_S = 5 \text{ V}, R_L = 100 \text{ } \Omega$ (see figure 2) |      | $t_{off}$ |      | 8    |      | $\mu\text{s}$ |

**Note**

(1)  $T_{amb} = 25 \text{ }^\circ\text{C}$ , unless otherwise specified



Fig. 2 - Test Circuit for  $t_{on}$  and  $t_{off}$



Fig. 3 - Switching Times

**BASIC CHARACTERISTICS**

$T_{amb} = 25 \text{ }^\circ\text{C}$ , unless otherwise specified



Fig. 4 - Forward Current vs. Forward Voltage



Fig. 5 - Relative Current Transfer Ratio vs. Ambient Temperature

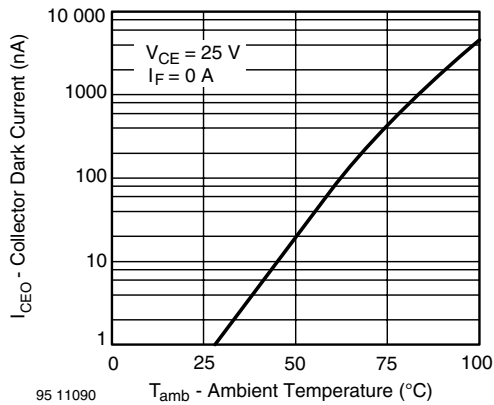


Fig. 6 - Collector Dark Current vs. Ambient Temperature



Fig. 9 - Current Transfer Ratio vs. Forward Current

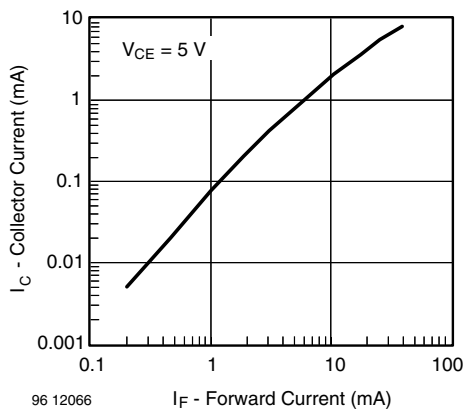


Fig. 7 - Collector Current vs. Forward Current

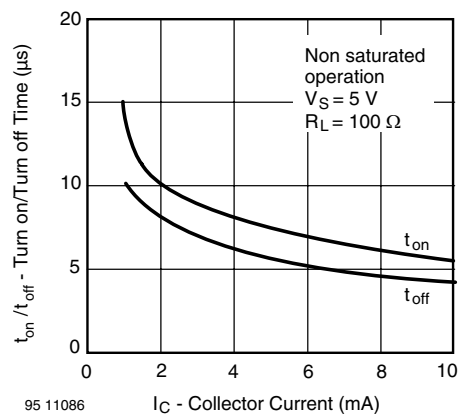


Fig. 10 - Turn-off/Turn-on Time vs. Collector Current



Fig. 8 - Collector Current vs. Collector Emitter Voltage



Fig. 11 - Relative Collector Current vs. Displacement

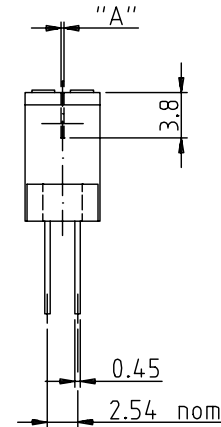


Fig. 12 - Relative Collector Current vs. Displacement



Fig. 13 - Relative Collector Current vs. Displacement

### PACKAGE DIMENSIONS in millimeters



technical drawings according to DIN specifications

weight: ca. 0.90g

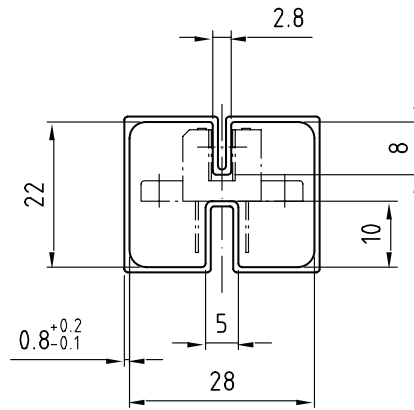
Drawing-No.: 6.550-5040.01-4  
 Issue: 2; 10.11.98  
 96 12095

# TCST2103, TCST2202, TCST2300



Vishay Semiconductors Transmissive Optical Sensor with Phototransistor Output

## TUBE DIMENSIONS in millimeters



With rubber stopper  
Tolerance:  $\pm 0.5\text{mm}$   
Length:  $575 \pm 1\text{mm}$

Drawing-No.: 9.700-5100.01-4  
Issue: 1; 25.02.00  
20252

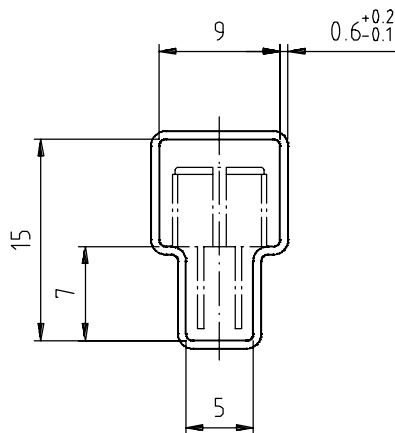
## Packaging and Ordering Information

| PART NUMBER   | MOQ <sup>(1)</sup> | PCS PER TUBE | TUBE SPEC. (FIGURE) | CONSTITUENTS (FORMS) |
|---------------|--------------------|--------------|---------------------|----------------------|
| CNY70         | 4000               | 80           | 1                   | 28                   |
| TCPT1300X01   | 2000               | Reel         | (2)                 | 29                   |
| TCRT1000      | 1000               | Bulk         | -                   | 26                   |
| TCRT1010      | 1000               | Bulk         | -                   | 26                   |
| TCRT5000      | 4500               | 50           | 2                   | 27                   |
| TCRT5000L     | 2400               | 48           | 3                   | 27                   |
| TCST1030      | 5200               | 65           | 5                   | 24                   |
| TCST1030L     | 2600               | 65           | 6                   | 24                   |
| TCST1103      | 1020               | 85           | 4                   | 24                   |
| TCST1202      | 1020               | 85           | 4                   | 24                   |
| TCST1230      | 4800               | 60           | 7                   | 24                   |
| TCST1300      | 1020               | 85           | 4                   | 24                   |
| TCST2103      | 1020               | 85           | 4                   | 24                   |
| TCST2202      | 1020               | 85           | 4                   | 24                   |
| TCST2300      | 1020               | 85           | 4                   | 24                   |
| TCST5250      | 4860               | 30           | 8                   | 24                   |
| TCUT1300X01   | 2000               | Reel         | (2)                 | 29                   |
| TCZT8020-PAER | 2500               | Bulk         | -                   | 22                   |

### Notes

- (1) MOQ: minimum order quantity
- (2) Please refer to datasheets

### TUBE SPECIFICATION FIGURES



With rubber stopper

Tolerance:  $\pm 0.5\text{mm}$

Length:  $575 \pm 1\text{mm}$

Drawing-No.: 9.700-5097.01-4  
Issue: 1; 25.02.00

15198

Fig. 1

# Packaging and Ordering Information

Vishay Semiconductors Packaging and Ordering Information



Drawing-No.: 9.700-5139.01-4  
Issue: 1; 10.05.00

Drawing refers to following types: TCRT 5000

15210

Fig. 2



With stopper pins  
Tolerance: ±0.5mm  
Length: 575±1mm

Drawing-No.: 9.700-5178.01-4  
Issue: 1; 25.02.00

15201

Fig. 3



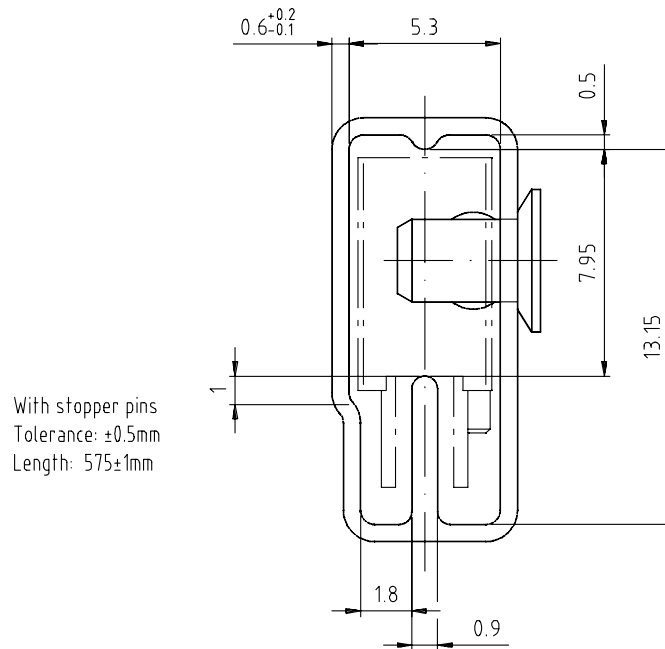


With rubber stopper  
Tolerance: ±0.5mm  
Length: 575±1mm

Drawing-No.: 9.700-5100.01-4  
Issue: 1; 25.02.00

15199

Fig. 4



With stopper pins  
Tolerance: ±0.5mm  
Length: 575±1mm

Drawing-No.: 9.700-5140.01-4  
Issue: 1; 25.02.00

15202

Fig. 5



Drawing-No.: 9.700-5205.01-4  
Issue: 1; 25.02.00

15196

Fig. 6



Drawing-No.: 9.700-5245.01-4  
Issue: 1; 25.02.00

15195

Fig. 7



Drawing-No.: 9.700-5222.01-4  
 Issue: 2; 19.11.04  
 20257

With stopper pins  
 Tolerance:  $\pm 0.5$ mm  
 Length:  $450 \pm 1$ mm  
 All dimensions in mm

Fig. 8



## Disclaimer

ALL PRODUCT, PRODUCT SPECIFICATIONS AND DATA ARE SUBJECT TO CHANGE WITHOUT NOTICE TO IMPROVE RELIABILITY, FUNCTION OR DESIGN OR OTHERWISE.

Vishay Intertechnology, Inc., its affiliates, agents, and employees, and all persons acting on its or their behalf (collectively, "Vishay"), disclaim any and all liability for any errors, inaccuracies or incompleteness contained in any datasheet or in any other disclosure relating to any product.

Vishay makes no warranty, representation or guarantee regarding the suitability of the products for any particular purpose or the continuing production of any product. To the maximum extent permitted by applicable law, Vishay disclaims (i) any and all liability arising out of the application or use of any product, (ii) any and all liability, including without limitation special, consequential or incidental damages, and (iii) any and all implied warranties, including warranties of fitness for particular purpose, non-infringement and merchantability.

Statements regarding the suitability of products for certain types of applications are based on Vishay's knowledge of typical requirements that are often placed on Vishay products in generic applications. Such statements are not binding statements about the suitability of products for a particular application. It is the customer's responsibility to validate that a particular product with the properties described in the product specification is suitable for use in a particular application. Parameters provided in datasheets and/or specifications may vary in different applications and performance may vary over time. All operating parameters, including typical parameters, must be validated for each customer application by the customer's technical experts. Product specifications do not expand or otherwise modify Vishay's terms and conditions of purchase, including but not limited to the warranty expressed therein.

Except as expressly indicated in writing, Vishay products are not designed for use in medical, life-saving, or life-sustaining applications or for any other application in which the failure of the Vishay product could result in personal injury or death. Customers using or selling Vishay products not expressly indicated for use in such applications do so at their own risk. Please contact authorized Vishay personnel to obtain written terms and conditions regarding products designed for such applications.

No license, express or implied, by estoppel or otherwise, to any intellectual property rights is granted by this document or by any conduct of Vishay. Product names and markings noted herein may be trademarks of their respective owners.

## Material Category Policy

**Vishay Intertechnology, Inc. hereby certifies that all its products that are identified as RoHS-Compliant fulfill the definitions and restrictions defined under Directive 2011/65/EU of The European Parliament and of the Council of June 8, 2011 on the restriction of the use of certain hazardous substances in electrical and electronic equipment (EEE) - recast, unless otherwise specified as non-compliant.**

**Please note that some Vishay documentation may still make reference to RoHS Directive 2002/95/EC. We confirm that all the products identified as being compliant to Directive 2002/95/EC conform to Directive 2011/65/EU.**

**Vishay Intertechnology, Inc. hereby certifies that all its products that are identified as Halogen-Free follow Halogen-Free requirements as per JEDEC JS709A standards. Please note that some Vishay documentation may still make reference to the IEC 61249-2-21 definition. We confirm that all the products identified as being compliant to IEC 61249-2-21 conform to JEDEC JS709A standards.**



## Стандарт Электрон Связь

Мы молодая и активно развивающаяся компания в области поставок электронных компонентов. Мы поставляем электронные компоненты отечественного и импортного производства напрямую от производителей и с крупнейших складов мира.

Благодаря сотрудничеству с мировыми поставщиками мы осуществляем комплексные и плановые поставки широчайшего спектра электронных компонентов.

Собственная эффективная логистика и склад в обеспечивает надежную поставку продукции в точно указанные сроки по всей России.

Мы осуществляем техническую поддержку нашим клиентам и предпродажную проверку качества продукции. На все поставляемые продукты мы предоставляем гарантию .

Осуществляем поставки продукции под контролем ВП МО РФ на предприятия военно-промышленного комплекса России , а также работаем в рамках 275 ФЗ с открытием отдельных счетов в уполномоченном банке. Система менеджмента качества компании соответствует требованиям ГОСТ ISO 9001.

Минимальные сроки поставки, гибкие цены, неограниченный ассортимент и индивидуальный подход к клиентам являются основой для выстраивания долгосрочного и эффективного сотрудничества с предприятиями радиоэлектронной промышленности, предприятиями ВПК и научно-исследовательскими институтами России.

С нами вы становитесь еще успешнее!

### Наши контакты:

**Телефон:** +7 812 627 14 35

**Электронная почта:** [sales@st-electron.ru](mailto:sales@st-electron.ru)

**Адрес:** 198099, Санкт-Петербург,  
Промышленная ул, дом № 19, литера Н,  
помещение 100-Н Офис 331