

## HMIC™ PIN Diode SPDT 50 Watt Switch for 0.05 - 6.0 GHz Higher Power Applications

Rev. V8

### Features

- Exceptional Broadband Performance, 0.05 - 6.0 GHz
- Low Loss:  $T_x = 0.33 \text{ dB @ } 2010 \text{ MHz, } 5\text{V} / 20\text{mA}$
- $T_x = 0.38 \text{ dB @ } 3.5 \text{ GHz, } 5\text{V} / 20\text{mA}$
- High Isolation:  $R_x = 44\text{dB @ } 2010 \text{ MHz, } 20\text{mA} / 5\text{V}$
- $R_x = 36\text{dB @ } 3.5 \text{ GHz, } 20\text{mA} / 5\text{V}$
- High  $T_x$  RF Input Power = 50 W C.W. @ 2010MHz
- High Tx RF Input Peak Power > 1000 W
- Suitable for Very High Power TD-SCDMA & WiMAX Applications
- Surface Mount 4mm PQFN Package, RoHS\* Compliant

### Description and Applications

The MASW-000834-13560T is a SPDT Broadband, high linearity, common anode, PIN diode T/R switch for 0.05 - 6.0 GHz applications, including WiMAX & WiFi. The device is provided in industry standard 4mm PQFN plastic packaging. This device incorporates a PIN diode die fabricated with M/A-COM Technology Solutions patented Silicon-Glass HMIC™ process. This chip features two silicon pedestals embedded in a low loss, low dispersion glass. The diodes are formed on the top of each pedestal. The topside is fully encapsulated with silicon nitride and has an additional polymer passivation layer. These polymer protective coatings prevent damage and contamination during handling and assembly.

This compact 4mm PQFN package, SPDT switch offers wideband 0.05 - 6.0 GHz performance with excellent isolation to loss ratio for both  $T_x$  and  $R_x$  states. The PIN diode provides 50 W typical C.W. power handling and 65 dBm IIP3 at 2010 MHz for maximum switch performance.

### Absolute Maximum Ratings <sup>1,2</sup>

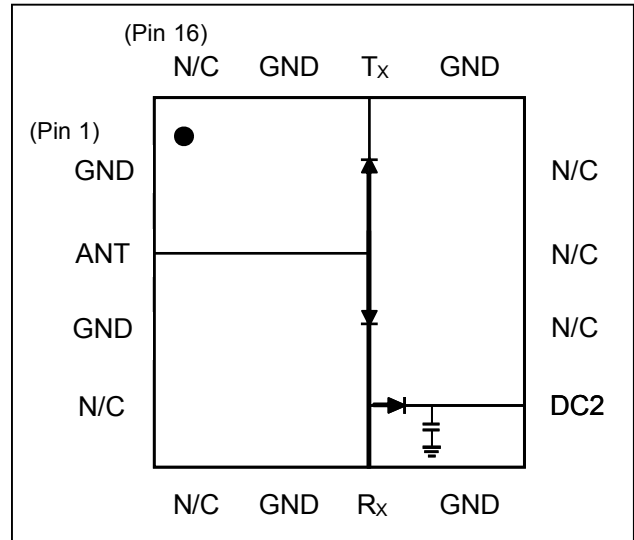
@  $T_A = +25 \text{ °C}$  (unless otherwise specified)

| Parameter                     | Absolute Maximum                       |
|-------------------------------|--|
| Forward Current               | 100 mA                                 |
| Reverse Voltage ( RF & D.C. ) | -200 V                                 |
| Operating Temperature         | -40 °C to +85 °C                       |
| Storage Temperature           | -55 °C to +150 °C                      |
| Junction Temperature          | +175 °C                                |
| $T_x$ Incident C.W. Power     | 50W (47 dBm) <sup>3</sup><br>@ 2010MHz |
| $T_x$ Peak Incident Power     | >300 W, 5us, 1% duty                   |

1. Exceeding these limits may cause permanent damage.
2. M/A-COM Technology Solutions does not recommend sustained operation near these survivability limits.
3. Baseplate Temperature must be controlled to a constant +25°C. See page 7 for derating curve.

\* Restrictions on Hazardous Substances, European Union Directive 2002/95/EC.

### Functional Diagram (TOP VIEW)



### Pin Configuration:

(Center Metal Area is RF, D.C., and Thermal Ground)

| Pin | Function | Pin | Function |
|-----|----------|-----|----------|
| 1   | GND      | 9   | DC2      |
| 2   | ANT      | 10  | N/C      |
| 3   | GND      | 11  | N/C      |
| 4   | N/C      | 12  | N/C      |
| 5   | N/C      | 13  | GND      |
| 6   | GND      | 14  | TX       |
| 7   | RX       | 15  | GND      |
| 8   | GND      | 16  | N/C      |

### Ordering Information

| Part Number        | Package   |
|--------------------|---|
| MASW-000834-13560T | Tape and Reel   |
| MASW-000834-001SMB | Sample Board  |
| MADR-008851-0001TB | Sample Board with recommended external Driver & MASW-000834-13560T Switch |

### Static Sensitivity

These devices are rated Class 1B Human Body. Proper ESD control techniques should be used when handling these devices.

**ADVANCED:** Data Sheets contain information regarding a product M/A-COM Technology Solutions is considering for development. Performance is based on target specifications, simulated results, and/or prototype measurements. Commitment to develop is not guaranteed.

**PRELIMINARY:** Data Sheets contain information regarding a product M/A-COM Technology Solutions has under development. Performance is based on engineering tests. Specifications are typical. Mechanical outline has been fixed. Engineering samples and/or test data may be available. Commitment to produce in volume is not guaranteed.

• **North America** Tel: 800.366.2266 • **Europe** Tel: +353.21.244.6400  
• **India** Tel: +91.80.43537383 • **China** Tel: +86.21.2407.1588

Visit [www.macomtech.com](http://www.macomtech.com) for additional data sheets and product information.

M/A-COM Technology Solutions Inc. and its affiliates reserve the right to make changes to the product(s) or information contained herein without notice.

## HMIC™ PIN Diode SPDT 50 Watt Switch for 0.05 - 6.0 GHz Higher Power Applications

Rev. V8

### Electrical Specifications at +25°C, Characteristic Impedance, 20mA / 5V, $Z_0 = 50 \Omega$

| Parameter                | Symbol       | 20mA / 5V Conditions                     | Units | Min. | Typ. | Max.  |
|--------------------------|--------------|--|-------|------|------|-------|
| <b>F = 900 MHz</b>       |              |  |       |      |      |       |
| Insertion Loss, $R_X$    | $R_X$<br>IL  | See Bias Table 1, pg. 10,<br>Pinc= 0 dBm | dB    | —    | 0.34 | 0.56  |
| Insertion Loss, $T_X$    | $T_X$<br>IL  | See Bias Table 1, pg. 10,<br>Pinc= 0 dBm | dB    | —    | 0.26 | 0.445 |
| Isolation, ANT To $R_X$  | $R_X$<br>ISO | See Bias Table 1, pg. 10,<br>Pinc= 0 dBm | dB    | 45.8 | 52.1 | —     |
| Isolation, ANT To $T_X$  | $T_X$<br>ISO | See Bias Table 1, pg. 10,<br>Pinc= 0 dBm | dB    | 21.7 | 27.1 | —     |
| <b>F = 1800 MHz</b>      |              |  |       |      |      |       |
| Insertion Loss, $R_X$    | $R_X$<br>IL  | See Bias Table 1, pg. 10,<br>Pinc= 0 dBm | dB    | —    | 0.40 | 0.72  |
| Insertion Loss, $T_X$    | $T_X$<br>IL  | See Bias Table 1, pg. 10,<br>Pinc= 0 dBm | dB    | —    | 0.32 | 0.49  |
| Isolation, ANT To $R_X$  | $R_X$<br>ISO | See Bias Table 1, pg. 10,<br>Pinc= 0 dBm | dB    | 43.7 | 48.9 | —     |
| Isolation, ANT To $T_X$  | $T_X$<br>ISO | See Bias Table 1, pg. 10,<br>Pinc= 0 dBm | dB    | 18.4 | 21.4 | —     |
| <b>F = 2010 MHz</b>      |              |  |       |      |      |       |
| Insertion Loss, $R_X$    | $R_X$<br>IL  | See Bias Table 1, pg. 10,<br>Pinc= 0 dBm | dB    | —    | 0.42 | 0.75  |
| Insertion Loss, $T_X$    | $T_X$<br>IL  | See Bias Table 1, pg. 10,<br>Pinc= 0 dBm | dB    | —    | 0.33 | 0.5   |
| Isolation, ANT To $R_X$  | $R_X$<br>ISO | See Bias Table 1, pg. 10,<br>Pinc= 0 dBm | dB    | 43.2 | 44.6 | —     |
| Isolation, ANT To $T_X$  | $T_X$<br>ISO | See Bias Table 1, pg. 10,<br>Pinc= 0 dBm | dB    | 17.7 | 19.9 | —     |
| Input Return Loss, $T_X$ | $T_X$<br>RL  | See Bias Table 1, pg. 10,<br>Pinc= 0 dBm | dB    | —    | 32.1 | —     |
| Input Return Loss, $R_X$ | $R_X$<br>RL  | See Bias Table 1, pg. 10,<br>Pinc= 0 dBm | dB    | —    | 24.2 | —     |

## HMIC™ PIN Diode SPDT 50 Watt Switch for 0.05 - 6.0 GHz Higher Power Applications

Rev. V8

### Electrical Specifications at +25°C, Characteristic Impedance, 20mA / 5V, $Z_0 = 50 \Omega$

| Parameter                | Symbol       | 20mA / 5V Conditions                     | Units | Min. | Typ. | Max.  |
|--------------------------|--------------|--|-------|------|------|-------|
| <b>F = 2.3-2.7 GHz</b>   |              |  |       |      |      |       |
| Insertion Loss, $R_X$    | $R_X$<br>IL  | See Bias Table 1, pg. 10,<br>Pinc= 0 dBm | dB    | —    | 0.46 | 0.84  |
| Insertion Loss, $T_X$    | $T_X$<br>IL  | See Bias Table 1, pg. 10,<br>Pinc= 0 dBm | dB    | —    | 0.35 | 0.525 |
| Isolation, ANT To $R_X$  | $R_X$<br>ISO | See Bias Table 1, pg. 10,<br>Pinc= 0 dBm | dB    | 40.2 | 41.2 | —     |
| Isolation, ANT To $T_X$  | $T_X$<br>ISO | See Bias Table 1, pg. 10,<br>Pinc= 0 dBm | dB    | 16.2 | 18.6 | —     |
| Input Return Loss, $T_X$ | $T_X$<br>RL  | See Bias Table 1, pg. 10,<br>Pinc= 0 dBm | dB    | —    | 30.5 | —     |
| Input Return Loss, $R_X$ | $R_X$<br>RL  | See Bias Table 1, pg. 10,<br>Pinc= 0 dBm | dB    | —    | 22.9 | —     |
| <b>F = 3.3-3.8 GHz</b>   |              |  |       |      |      |       |
| Insertion Loss, $R_X$    | $R_X$<br>IL  | See Bias Table 1, pg. 10,<br>Pinc= 0 dBm | dB    | —    | 0.56 | 1.0   |
| Insertion Loss, $T_X$    | $T_X$<br>IL  | See Bias Table 1, pg. 10,<br>Pinc= 0 dBm | dB    | —    | 0.38 | 0.575 |
| Isolation, ANT To $R_X$  | $R_X$<br>ISO | See Bias Table 1, pg. 10,<br>Pinc= 0 dBm | dB    | 33.7 | 35.9 | —     |
| Isolation, ANT To $T_X$  | $T_X$<br>ISO | See Bias Table 1, pg. 10,<br>Pinc= 0 dBm | dB    | 13.6 | 16.1 | —     |
| Input Return Loss, $T_X$ | $T_X$<br>RL  | See Bias Table 1, pg. 10,<br>Pinc= 0 dBm | dB    | —    | 27.4 | —     |
| Input Return Loss, $R_X$ | $R_X$<br>RL  | See Bias Table 1, pg. 10,<br>Pinc= 0 dBm | dB    | —    | 21.9 | —     |
| <b>F = 4.9-5.9 GHz</b>   |              |  |       |      |      |       |
| Insertion Loss, $R_X$    | $R_X$<br>IL  | See Bias Table 1, pg. 10,<br>Pinc= 0 dBm | dB    | —    | 0.78 | —     |
| Insertion Loss, $T_X$    | $T_X$<br>IL  | See Bias Table 1, pg. 10,<br>Pinc= 0 dBm | dB    | —    | 0.52 | —     |
| Isolation, ANT To $R_X$  | $R_X$<br>ISO | See Bias Table 1, pg. 10,<br>Pinc= 0 dBm | dB    | —    | 26.4 | —     |
| Isolation, ANT To $T_X$  | $T_X$<br>ISO | See Bias Table 1, pg. 10,<br>Pinc= 0 dBm | dB    | —    | 11.8 | —     |
| Input Return Loss, $T_X$ | $T_X$<br>RL  | See Bias Table 1, pg. 10,<br>Pinc= 0 dBm | dB    | —    | 20.3 | —     |
| Input Return Loss, $R_X$ | $R_X$<br>RL  | See Bias Table 1, pg. 10,<br>Pinc= 0 dBm | dB    | —    | 24.2 | —     |

## Electrical Specifications at +25°C, Characteristic Impedance, 50mA / 25V, Z<sub>0</sub> = 50 Ω

| Parameter                         | Symbol                | 50mA / 25V Conditions                    | Units | Min. | Typ. | Max. |
|-----------------------------------|-----------------------|--|-------|------|------|------|
| <b>F = 900 MHz</b>                |                       |  |       |      |      |      |
| Insertion Loss, R <sub>X</sub>    | R <sub>X</sub><br>IL  | See Bias Table 2, pg. 10,<br>Pinc= 0 dBm | dB    | —    | 0.27 | —    |
| Insertion Loss, T <sub>X</sub>    | T <sub>X</sub><br>IL  | See Bias Table 2, pg. 10,<br>Pinc= 0 dBm | dB    | —    | 0.22 | —    |
| Isolation, ANT To R <sub>X</sub>  | R <sub>X</sub><br>ISO | See Bias Table 2, pg. 10,<br>Pinc= 0 dBm | dB    | —    | 53.3 | —    |
| Isolation, ANT To T <sub>X</sub>  | T <sub>X</sub><br>ISO | See Bias Table 2, pg. 10,<br>Pinc= 0 dBm | dB    | —    | 27.4 | —    |
| <b>F = 1800 MHz</b>               |                       |  |       |      |      |      |
| Insertion Loss, R <sub>X</sub>    | R <sub>X</sub><br>IL  | See Bias Table 2, pg. 10,<br>Pinc= 0 dBm | dB    | —    | 0.32 | —    |
| Insertion Loss, T <sub>X</sub>    | T <sub>X</sub><br>IL  | See Bias Table 2, pg. 10,<br>Pinc= 0 dBm | dB    | —    | 0.27 | —    |
| Isolation, ANT To R <sub>X</sub>  | R <sub>X</sub><br>ISO | See Bias Table 2, pg. 10,<br>Pinc= 0 dBm | dB    | —    | 50.2 | —    |
| Isolation, ANT To T <sub>X</sub>  | T <sub>X</sub><br>ISO | See Bias Table 2, pg. 10,<br>Pinc= 0 dBm | dB    | —    | 21.6 | —    |
| <b>F = 2010 MHz</b>               |                       |  |       |      |      |      |
| Insertion Loss, R <sub>X</sub>    | R <sub>X</sub><br>IL  | See Bias Table 2, pg. 10,<br>Pinc= 0 dBm | dB    | —    | 0.34 | —    |
| Insertion Loss, T <sub>X</sub>    | T <sub>X</sub><br>IL  | See Bias Table 2, pg. 10,<br>Pinc= 0 dBm | dB    | —    | 0.28 | —    |
| Isolation, ANT To R <sub>X</sub>  | R <sub>X</sub><br>ISO | See Bias Table 2, pg. 10,<br>Pinc= 0 dBm | dB    | —    | 45.5 | —    |
| Isolation, ANT To T <sub>X</sub>  | T <sub>X</sub><br>ISO | See Bias Table 2, pg. 10,<br>Pinc= 0 dBm | dB    | —    | 20.1 | —    |
| Input Return Loss, T <sub>X</sub> | T <sub>X</sub><br>RL  | See Bias Table 2, pg. 10,<br>Pinc= 0 dBm | dB    | —    | 33.1 | —    |
| Input Return Loss, R <sub>X</sub> | R <sub>X</sub><br>RL  | See Bias Table 2, pg. 10,<br>Pinc= 0 dBm | dB    | —    | 24.1 | —    |

## HMIC™ PIN Diode SPDT 50 Watt Switch for 0.05 - 6.0 GHz Higher Power Applications

Rev. V8

### Electrical Specifications at +25°C, Characteristic Impedance, 50mA / 25V, $Z_0 = 50 \Omega$

| Parameter                | Symbol       | 50mA / 25V Conditions                    | Units | Min. | Typ. | Max. |
|--------------------------|--------------|--|-------|------|------|------|
| <b>F = 2.3-2.7 GHz</b>   |              |  |       |      |      |      |
| Insertion Loss, $R_X$    | $R_X$<br>IL  | See Bias Table 2, pg. 10,<br>Pinc= 0 dBm | dB    | —    | 0.38 | —    |
| Insertion Loss, $T_X$    | $T_X$<br>IL  | See Bias Table 2, pg. 10,<br>Pinc= 0 dBm | dB    | —    | 0.30 | —    |
| Isolation, ANT To $R_X$  | $R_X$<br>ISO | See Bias Table 2, pg. 10,<br>Pinc= 0 dBm | dB    | —    | 41.8 | —    |
| Isolation, ANT To $T_X$  | $T_X$<br>ISO | See Bias Table 2, pg. 10,<br>Pinc= 0 dBm | dB    | —    | 18.7 | —    |
| Input Return Loss, $T_X$ | $T_X$<br>RL  | See Bias Table 2, pg. 10,<br>Pinc= 0 dBm | dB    | —    | 31.3 | —    |
| Input Return Loss, $R_X$ | $R_X$<br>RL  | See Bias Table 2, pg. 10,<br>Pinc= 0 dBm | dB    | —    | 22.8 | —    |
| <b>F = 3.3-3.8 GHz</b>   |              |  |       |      |      |      |
| Insertion Loss, $R_X$    | $R_X$<br>IL  | See Bias Table 2, pg. 10,<br>Pinc= 0 dBm | dB    | —    | 0.47 | —    |
| Insertion Loss, $T_X$    | $T_X$<br>IL  | See Bias Table 2, pg. 10,<br>Pinc= 0 dBm | dB    | —    | 0.33 | —    |
| Isolation, ANT To $R_X$  | $R_X$<br>ISO | See Bias Table 2, pg. 10,<br>Pinc= 0 dBm | dB    | —    | 36.2 | —    |
| Isolation, ANT To $T_X$  | $T_X$<br>ISO | See Bias Table 2, pg. 10,<br>Pinc= 0 dBm | dB    | —    | 16.2 | —    |
| Input Return Loss, $T_X$ | $T_X$<br>RL  | See Bias Table 2, pg. 10,<br>Pinc= 0 dBm | dB    | —    | 28.0 | —    |
| Input Return Loss, $R_X$ | $R_X$<br>RL  | See Bias Table 2, pg. 10,<br>Pinc= 0 dBm | dB    | —    | 21.8 | —    |
| <b>F = 4.9-5.9 GHz</b>   |              |  |       |      |      |      |
| Insertion Loss, $R_X$    | $R_X$<br>IL  | See Bias Table 2, pg. 10,<br>Pinc= 0 dBm | dB    | —    | 0.72 | —    |
| Insertion Loss, $T_X$    | $T_X$<br>IL  | See Bias Table 2, pg. 10,<br>Pinc= 0 dBm | dB    | —    | 0.48 | —    |
| Isolation, ANT To $R_X$  | $R_X$<br>ISO | See Bias Table 2, pg. 10,<br>Pinc= 0 dBm | dB    | —    | 26.6 | —    |
| Isolation, ANT To $T_X$  | $T_X$<br>ISO | See Bias Table 2, pg. 10,<br>Pinc= 0 dBm | dB    | —    | 11.8 | —    |
| Input Return Loss, $T_X$ | $T_X$<br>RL  | See Bias Table 2, pg. 10,<br>Pinc= 0 dBm | dB    | —    | 20.5 | —    |
| Input Return Loss, $R_X$ | $R_X$<br>RL  | See Bias Table 2, pg. 10,<br>Pinc= 0 dBm | dB    | —    | 24.2 | —    |

## HMIC™ PIN Diode SPDT 50 Watt Switch for 0.05 - 6.0 GHz Higher Power Applications

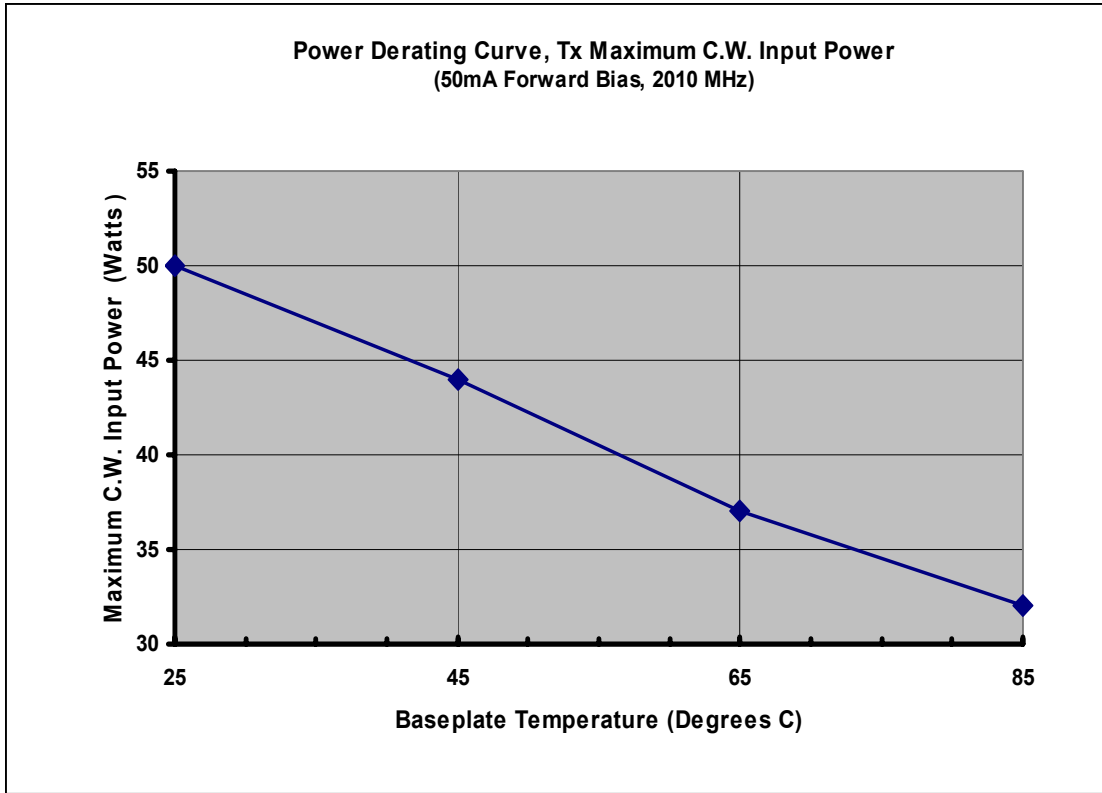
Rev. V8

### Electrical Specifications at +25°C, Characteristic Impedance, 50mA / 25V, $Z_0 = 50 \Omega$

| Parameter                               | Symbol                   | 50mA / 25V Conditions   | Units    | Min. | Typ.       | Max. |
|---|--------------------------|---|----------|------|------------|------|
| $T_X$ Input P1dB <sup>3</sup>           | $T_X$<br>P1dB            | 2010 MHz, $T_X$ to Antenna  | dBm      | —    | >45.5      | —    |
| $T_X$ 2 <sup>nd</sup> Harmonic          | $T_X$<br>2F <sub>0</sub> | 2010 MHz, Pin = + 30 dBm  | dBc      | —    | 80         | —    |
| $T_X$ 3 <sup>rd</sup> Harmonic          | $T_X$<br>3F <sub>0</sub> | 2010 MHz, Pin = + 30 dBm  | dBc      | —    | 95         | —    |
| $T_X$ Input Third Order Intercept Point | $T_X$<br>IIP3            | Pi= +10dBm, F1 = 2010 MHz, F2 = 2020 MHz                              | dBm      | —    | >64        | —    |
| $T_X$ C.W. Input Power <sup>3</sup>     | $T_X$<br>Pinc            | F = 2010 MHz  | dBm<br>W | —    | 47<br>50   | —    |
| $R_X$ C.W. Input Power                  | $R_X$<br>Pinc            | F = 2010 MHz  | dBm<br>W | —    | 41.5<br>14 | —    |
| $T_X$ RF Switching Speed                | $t_{RF}$                 | F = 2010 MHz ( 10-90% RF Voltage)<br>1MHz Rep Rate in Modulating Mode | ns       | —    | 200        | —    |

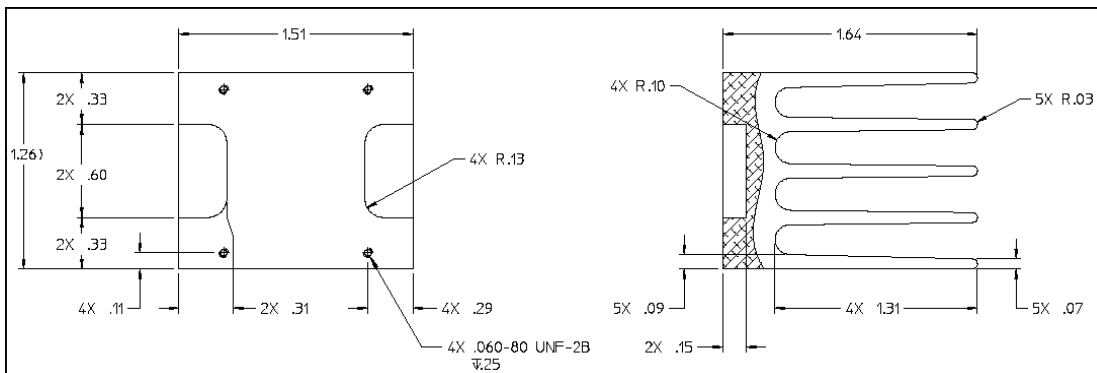
| Parameter                               | Symbol                   | 50mA / 25V Conditions  | Units    | Min. | Typ.       | Max. |
|---|--------------------------|--|----------|------|------------|------|
| $T_X$ Input P1dB                        | $T_X$<br>P1dB            | 3.5 GHz, $T_X$ to Antenna  | dBm      | —    | >45        | —    |
| $T_X$ 2 <sup>nd</sup> Harmonic          | $T_X$<br>2F <sub>0</sub> | 3.5 GHz, Pin = + 30 dBm  | dBc      | —    | 88         | —    |
| $T_X$ 3 <sup>rd</sup> Harmonic          | $T_X$<br>3F <sub>0</sub> | 3.5 GHz, Pin = + 30 dBm  | dBc      | —    | 105        | —    |
| $T_X$ Input Third Order Intercept Point | $T_X$<br>IIP3            | Pi= +10dBm, F1 = 3.500 GHz, F2 = 3.510 GHz                           | dBm      | —    | >64        | —    |
| $R_X$ C.W. Input Power                  | $R_X$<br>Pinc            | F = 3.5 GHz  | dBm<br>W | —    | 40.5<br>11 | —    |
| $T_X$ RF Switching Speed                | $t_{RF}$                 | F = 3.5 GHz ( 10-90% RF Voltage)<br>1MHz Rep Rate in Modulating Mode | ns       | —    | 200        | —    |

**Electrical Specifications at +25°C, Characteristic Impedance, 50mA / 25V,  $Z_0 = 50 \Omega$**



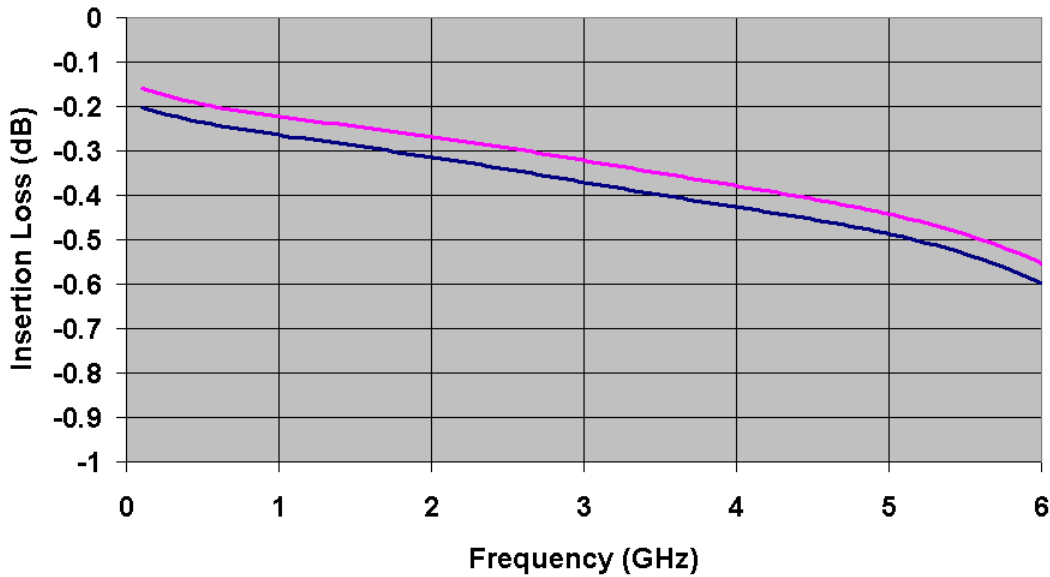
Note that this part must be held to a constant baseplate temperature to achieve the power handling results specified above. Adding a heatsink to the baseplate will improve performance to values greater than shown here. The increase in maximum input power from using a heatsink depends on the specific heatsink design.

With a sample board mounted onto a heatsink of dimensions and fins shown below, this switch can handle up to 35 Watts C.W. of incident power.

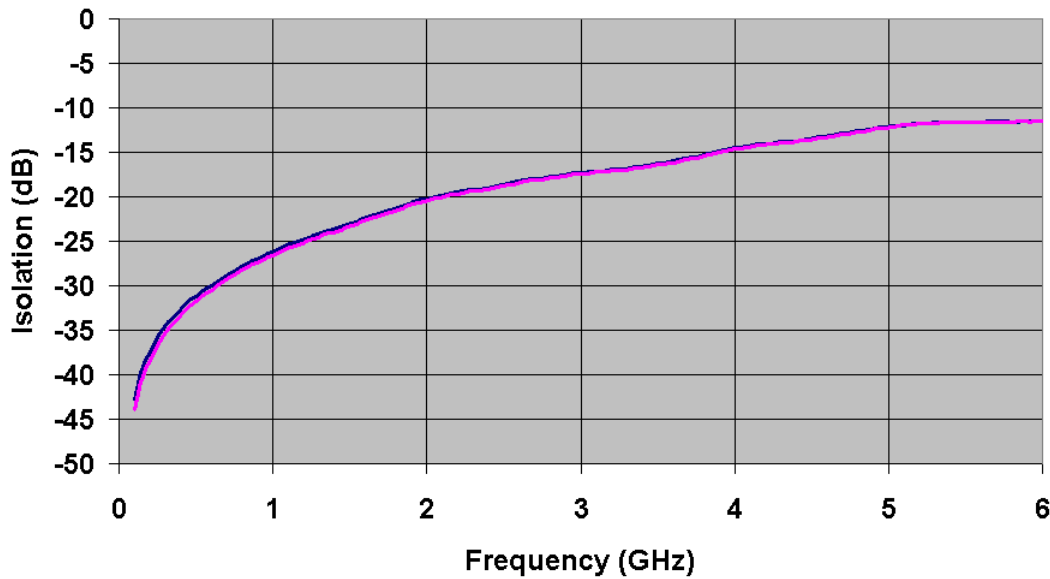


## T<sub>x</sub> Performance Curves at +25°C, Characteristic Impedance, Z<sub>0</sub> = 50 Ω

**Tx Insertion Loss**  
20mA & 50mA Forward Bias

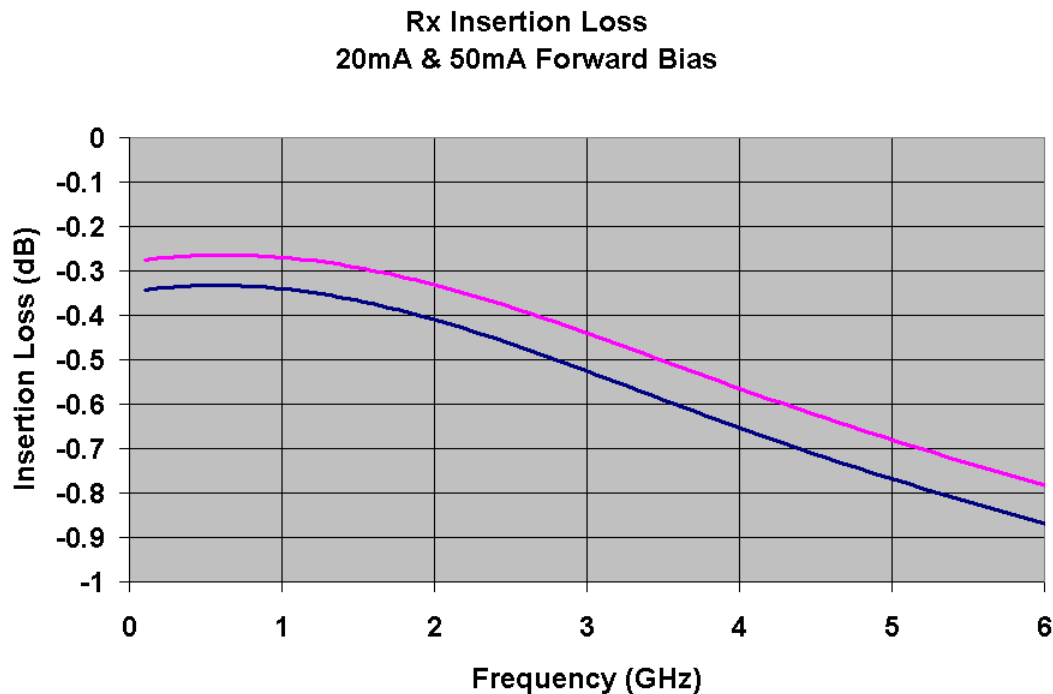
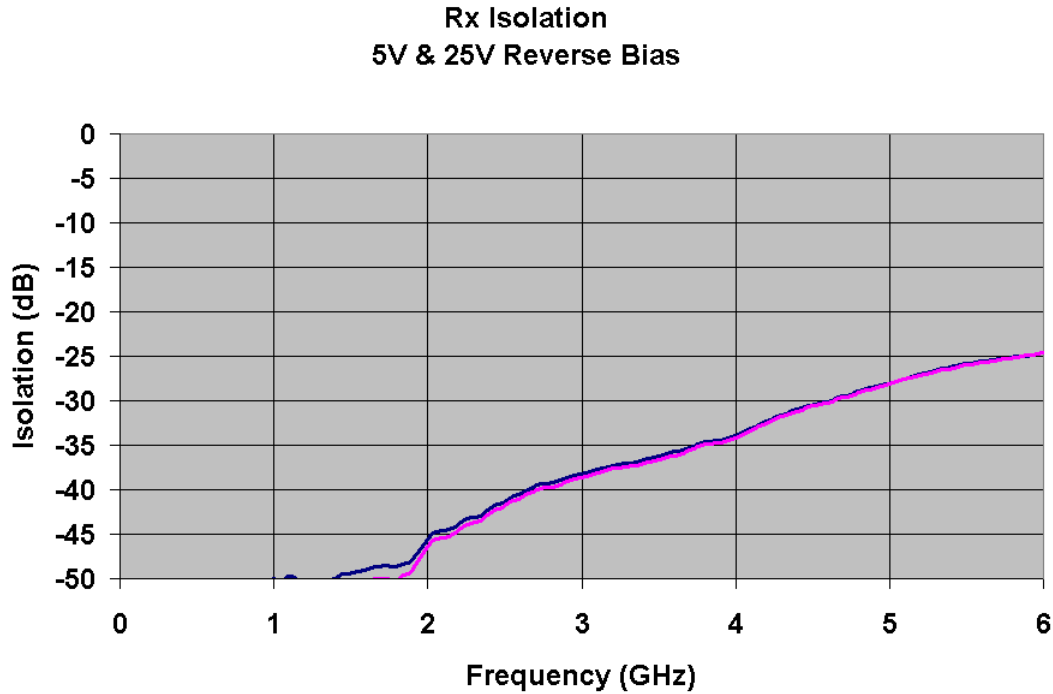


**Tx Isolation**  
5V & 25V Reverse Bias

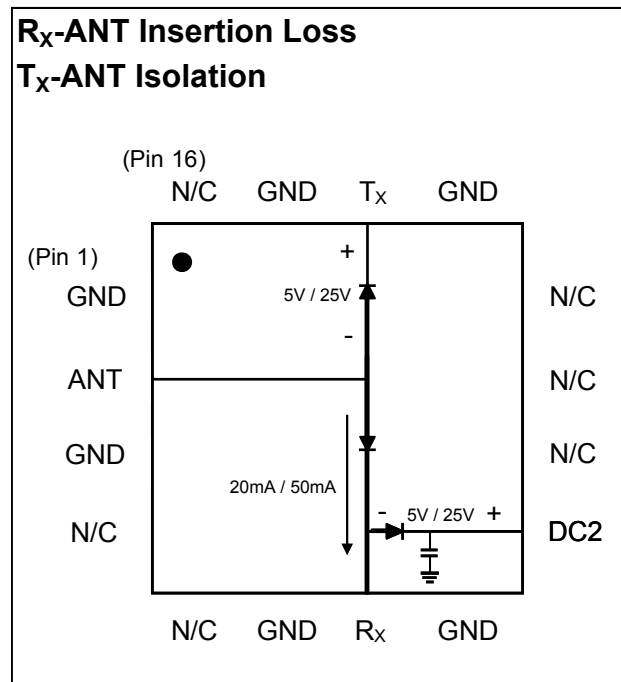
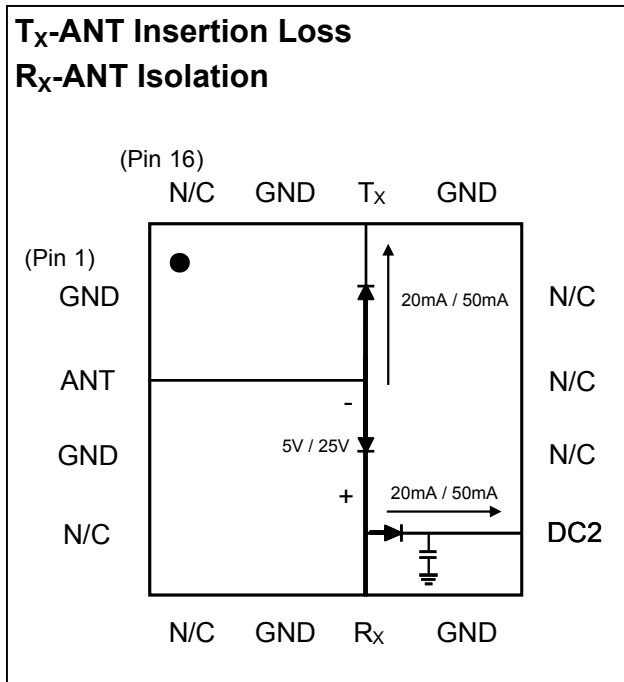




## R<sub>x</sub> Performance Curves at +25°C, Characteristic Impedance, Z<sub>0</sub> = 50 Ω



## Bias Diagrams & Tables



| Bias Table 1                       | T <sub>x</sub> | R <sub>x</sub> | DC2       | ANT   |
|------------------------------------|----------------|----------------|-----------|-------|
|                                    | Pin 14         | Pin 7          | Pin 9     | Pin 2 |
| T <sub>x</sub> -ANT Insertion Loss | -20 mA         | +5V, 0 mA      | -20 mA    | 0V    |
| R <sub>x</sub> -ANT Isolation      |                |                |           |       |
| R <sub>x</sub> -ANT Insertion Loss | +5V, 0 mA      | -20 mA         | +5V, 0 mA | 0V    |
| T <sub>x</sub> -ANT Isolation      |                |                |           |       |

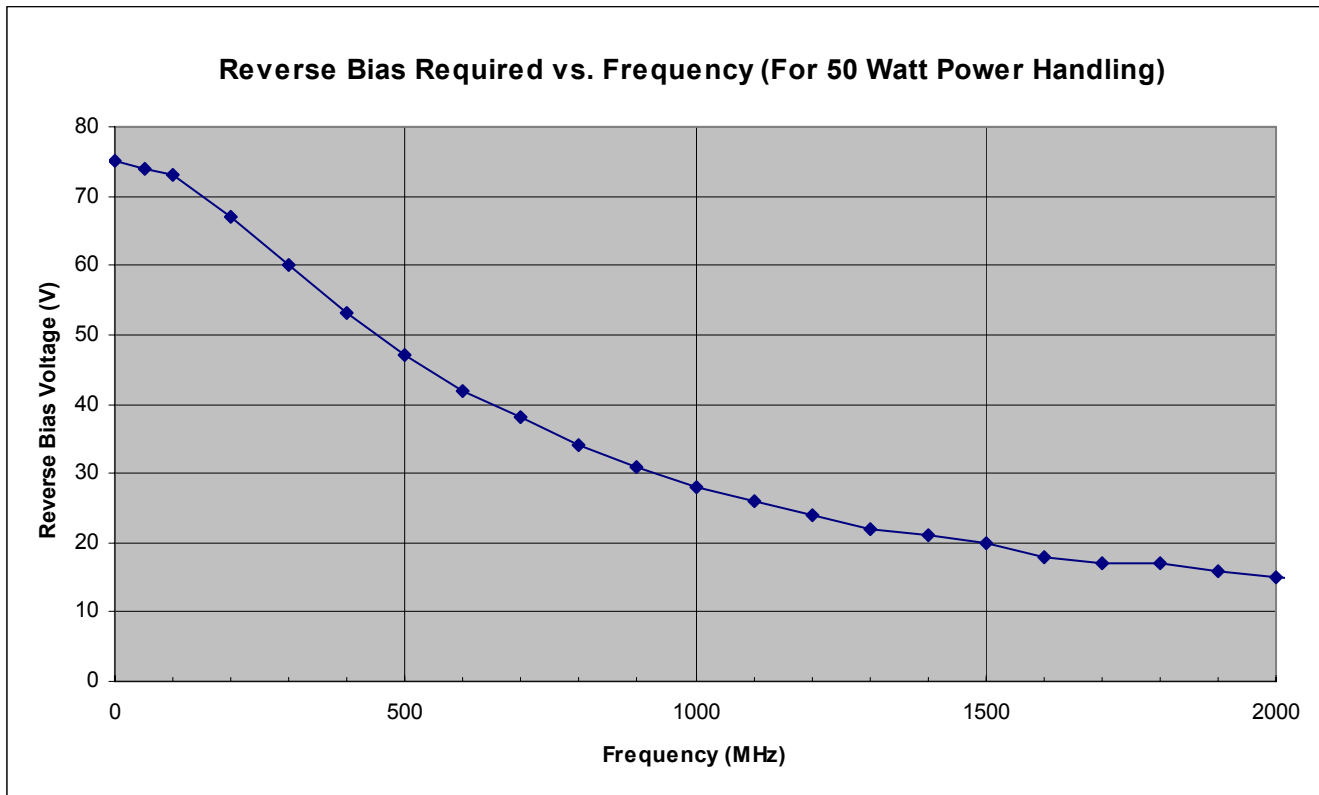
| Bias Table 2                       | T <sub>x</sub> | R <sub>x</sub> | DC2        | ANT   |
|------------------------------------|----------------|----------------|------------|-------|
|                                    | Pin 14         | Pin 7          | Pin 9      | Pin 2 |
| T <sub>x</sub> -ANT Insertion Loss | -50 mA         | +25V, 0 mA     | -50 mA     | 0V    |
| R <sub>x</sub> -ANT Isolation      |                |                |            |       |
| R <sub>x</sub> -ANT Insertion Loss | +25V, 0 mA     | -50 mA         | +25V, 0 mA | 0V    |
| T <sub>x</sub> -ANT Isolation      |                |                |            |       |

**\*Note - Diode Based Products require different minimum reverse bias voltages depending on the frequency and incident power levels. More details can be found on page 11 of this datasheet.**

## MASW-000834 Minimum Required Reverse Bias Voltage

Minimum reverse bias voltage on a PIN diode based product varies with frequency of operation and incident power levels. As a rule of thumb, a designer can always use the magnitude of the peak RF voltage or empirically locate lower bias values than the peak RF voltage magnitude. However, it has been shown that lower DC voltages can be used depending on the RF environment in which a diode is placed. In the plot below, the minimum required reverse voltage vs. frequency is shown for an incident RF power of 50 Watts. This trend line will shift lower if the incident RF power is decreased. The biasing values have not been verified through measurement at M/A-COM Technology Solutions. As a result, please use the data below as a guide only for biasing requirements as this data is based solely on generic PIN diode equations.<sup>4</sup>

Please be cautious in that lower reverse bias levels can degrade isolation and distortion in a PIN diode based product.

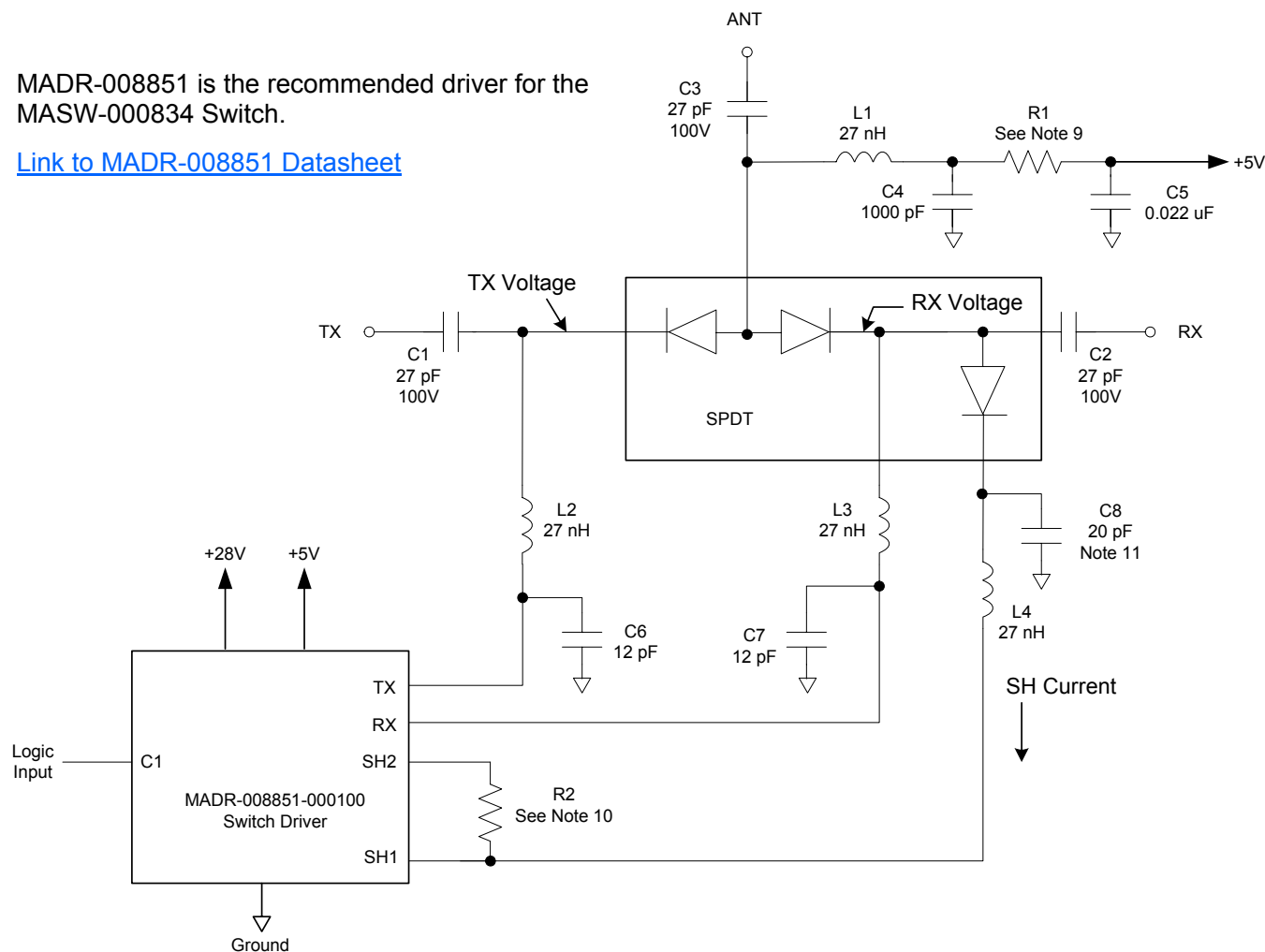


4. R. Caverly and G. Hiller, "Establishing the Minimum Reverse Bias for a P-I-N Diode in a High Power Switch," IEEE Transactions on Microwave Theory and Techniques, Vol.38, No.12, December 1990

### MASW-000834 and Recommended Driver with +5V & +28V DC Power<sup>5,6,7,8,9,10,11,12</sup>

MADR-008851 is the recommended driver for the MASW-000834 Switch.

[Link to MADR-008851 Datasheet](#)



5. Forward Bias Diode Voltage:  $\Delta V_f$  is  $\sim 0.9V$  @ 22 mA;  $\Delta V_f$  is  $\sim 1.0V$  @ 35 mA
6. R1 is calculated by  $(V_{cc}-1.5V)/I_{series}$ , where  $I_{series}$  is the desired bias current for the series diodes. For 21 mA load current,  $R1 = 165 \Omega$  @  $V_{CC} = 5.0V$  and  $82 \Omega$  @  $V_{CC} = 3.3V$ . For 32 mA load current,  $R1 = 110 \Omega$  @  $V_{CC} = 5.0V$  and  $56 \Omega$  @  $V_{CC} = 3.3V$ .
7. R2 is calculated by  $(V_{dd}-1V)/I_{shunt}$ , where  $I_{shunt}$  is the desired forward bias current for the shunt diode. The power dissipation is calculated by  $I_{shunt} \times 27V$ . For 20 mA of  $I_{shunt}$ , R2 should use a 2511, 1W, 1.3k ohm resistor.
8. C8 is already built-in for M/A-COM MASW-000834-13560T switch.
9. The voltage at the common anode will be approximately 1.5V.
10. The current in through the back-biased diodes will be the leakage current for the diodes
11. C1-C5, L1-L4, R1, R2, and the switch are discrete components that should be installed on the user's board. It is recommended that Coilcraft 0603CS-27NXJLW or equivalent be used for L1-L4 at 2 GHz (values may vary based on the frequency).
12. There are 33 pF bypass capacitors included in the driver for the RX, TX, and SH1 ports. There are cases, especially at higher frequencies, where the optional 12 pF bypass capacitors (C6 and C7) that are shown on the schematic are needed.





## Стандарт Электрон Связь

Мы молодая и активно развивающаяся компания в области поставок электронных компонентов. Мы поставляем электронные компоненты отечественного и импортного производства напрямую от производителей и с крупнейших складов мира.

Благодаря сотрудничеству с мировыми поставщиками мы осуществляем комплексные и плановые поставки широчайшего спектра электронных компонентов.

Собственная эффективная логистика и склад в обеспечивает надежную поставку продукции в точно указанные сроки по всей России.

Мы осуществляем техническую поддержку нашим клиентам и предпродажную проверку качества продукции. На все поставляемые продукты мы предоставляем гарантию .

Осуществляем поставки продукции под контролем ВП МО РФ на предприятия военно-промышленного комплекса России , а также работаем в рамках 275 ФЗ с открытием отдельных счетов в уполномоченном банке. Система менеджмента качества компании соответствует требованиям ГОСТ ISO 9001.

Минимальные сроки поставки, гибкие цены, неограниченный ассортимент и индивидуальный подход к клиентам являются основой для выстраивания долгосрочного и эффективного сотрудничества с предприятиями радиоэлектронной промышленности, предприятиями ВПК и научно-исследовательскими институтами России.

С нами вы становитесь еще успешнее!

### Наши контакты:

**Телефон:** +7 812 627 14 35

**Электронная почта:** [sales@st-electron.ru](mailto:sales@st-electron.ru)

**Адрес:** 198099, Санкт-Петербург,  
Промышленная ул, дом № 19, литера Н,  
помещение 100-Н Офис 331