



# Series 801 Mighty Mouse Double-Start ACME Thread Metal Protective Cover 667-217 and 667-218 Ordering Information



**Protect Connectors From Damage**  
Machined aluminum covers have rubber gaskets for a watertight fit.

**Stainless Steel Fittings and Rings**  
Choose small diameter eye fittings for panel attachment. Larger rings fit under the jam nut or over cable jackets. Split rings can be installed on fully assembled cables.

**Polyurethane-Coated SST Wire Rope**  
offers high strength, excellent abrasion resistance and good flexibility. Or, choose Fluoropolymer jacket for high temperature exposure.

**Braided Nylon Rope** provides excellent flexibility and good abrasion resistance, and can be ordered with slip knot fittings for easy installation on any size cable.

X

| How To Order                   |  |    |                         |   |    |    |
|--------------------------------|--|----|-------------------------|---|----|----|
| Sample Part Number             | 667-217  | -M | -G                      | 9 | 04 | -6 |
| Series (See Table I)           | 667-217 = Plug Cover<br>667-218 = Receptacle Cover   |    |                         |   |    |    |
| Material and Finish            | <b>C</b> = Aluminum / Black Anodize (Non-Conductive) RoHS Compliant<br><b>M</b> = Aluminum / Electroless Nickel RoHS Compliant<br><b>MT</b> = Aluminum / Nickel-PTFE RoHS Compliant<br><b>NF</b> = Aluminum / Cadmium with Olive Drab Chromate<br><b>ZNU</b> = Aluminum / Zinc-Nickel with Black Chromate<br><b>Z1</b> = Stainless Steel / Passivated RoHS Compliant   |    |                         |   |    |    |
| Attachment Type                | <b>-D</b> = Bead Chain, CRES, Passivate<br><b>-F</b> = Wire Rope, Nylon Jacket<br><b>-G</b> = Nylon Rope<br><b>-H</b> = SST Wire Rope, Fluoropolymer Jacket<br><b>-N</b> = No Attachment<br><b>-R</b> = Wire Rope, PVC Jacket<br><b>-S</b> = SST Sash Chain<br><b>-SK</b> = Nylon Rope With Slip Knot<br><b>-T</b> = SST Wire Rope, No Jacket<br><b>-U</b> = SST Wire Rope, Polyurethane Jacket<br>"SST" = Stainless Steel |    |                         |   |    |    |
| Shell Size                     | 5, 6, 7, 8, 9, 10, 11, 13, 16, 17, 19, 21  |    |                         |   |    |    |
| Attachment Code (See Table II) | Small Ring = 01 thru 06  |    | Split Ring = 50 thru 68 |   |    |    |
| Attachment Length (inches)     | Solid Ring = 14 thru 33<br>Omit for attachment Type N (No Attachment) Example "-6" equals six inch length  |    |                         |   |    |    |

| Table I: Cover Style  |                             |
|-----------------------|-----------------------------|
|                       |                             |
| 667-217<br>Plug Cover | 667-218<br>Receptacle Cover |

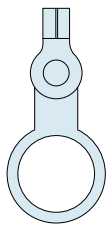
| Table II: Attachment Code  |   |
|--|---|
| Omit for attachment types <b>N</b> (No Attachment) and <b>SK</b> (Slip Knot) |   |
| Small Ring<br><br>± .010 I.D. tolerance                                      | <b>01</b> - .126 (3.20) I.D.<br><b>02</b> - .145 (3.68) I.D.<br><b>04</b> - .188 (4.78) I.D.<br><b>06</b> - .197 (5.00) I.D.  |
| Large Ring<br><br>± .015 I.D. tolerance                                      | <b>32</b> - .265 (.37) I.D.<br><b>29</b> - .315 (8.00) I.D.<br><b>14</b> - .385 (9.78) I.D.<br><b>15</b> - .445 (11.30) I.D.<br><b>33</b> - .510 (12.95) I.D.<br><b>16</b> - .570 (14.48) I.D.<br><b>17</b> - .635 (16.13) I.D.<br><b>18</b> - .695 (17.65) I.D.<br><b>27</b> - .766 (.89) I.D.<br><b>19</b> - .885 (22.48) I.D.<br><b>26</b> - .950 (24.13) I.D.<br><b>20</b> - 1.070 (27.17) I.D.<br><b>21</b> - 1.135 (28.83) I.D.<br><b>22</b> - 1.210 (30.73) I.D.<br><b>23</b> - 1.275 (32.39) I.D.<br><b>30</b> - 1.380 (35.05) I.D. |
| Split Ring<br>   | <b>50</b> - .432 (11.00) I.D.<br><b>52</b> - .492 (12.50) I.D.<br><b>54</b> - .648 (16.50) I.D.<br><b>56</b> - .757 (19.20) I.D.<br><b>58</b> - .898 (22.80) I.D.<br><b>60</b> - 1.023 (26.00) I.D.<br><b>64</b> - 1.137 (28.90) I.D.<br><b>68</b> - 1.357 (34.50) I.D.   |

Dimensions in Inches (millimeters) are subject to change without notice.

# Series 801 Mighty Mouse Double-Start ACME Thread Metal Protective Cover 667-217 and 667-218 Dimensions



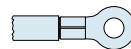
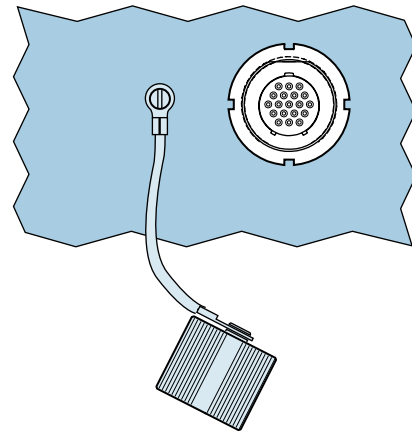
## 667-218 Cover Attachment for RPM Jam Nut Receptacle



Solid Ring

| Atch. Code | Shell Size | Ring I.D. |           | Ring O.D. |            |
|------------|------------|-----------|-----------|-----------|------------|
|            |            | In. ±.015 | mm. ±0.25 | In. ±.015 | mm. ± 0.38 |
| 14         | 5          | .385      | 9.78      | .51       | 12.95      |
| 15         | 6          | .445      | 11.30     | .57       | 14.35      |
| 16         | 7, 8       | .570      | 14.48     | .69       | 17.40      |
| 17         | 9          | .635      | 16.13     | .76       | 19.30      |
| 18         | 10         | .695      | 17.65     | .82       | 20.82      |
| 27         | 11         | .766      | 19.46     | .89       | 22.61      |
| 19         | 13         | .885      | 22.48     | 1.01      | 25.65      |
| 20         | 16         | 1.070     | 27.17     | 1.20      | 30.35      |
| 21         | 17         | 1.135     | 28.83     | 1.25      | 31.75      |
| 23         | 19         | 1.275     | 30.734    | 1.37      | 33.27      |
| 30         | 21         | 1.380     | 35.05     | 1.52      | 37.85      |

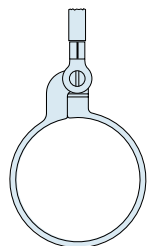
## 667-218 Cover Attachment to a Panel with a Screw



Small Ring for Attaching Receptacle Covers to a Panel with a Screw

| Atch. Code | Screw Size | Ring I.D. |           | Ring O.D. |          |
|------------|------------|-----------|-----------|-----------|----------|
|            |            | In. ±.010 | mm. ±0.13 | In. Max.  | mm. Max. |
| 01         | #4, M3     | .126      | 3.20      | .31       | 7.9      |
| 02         | #6         | .145      | 3.68      | .31       | 7.9      |
| 04         | #8, M4     | .188      | 4.78      | .31       | 7.9      |
| 06         | #10        | .197      | 5.00      | .31       | 7.9      |

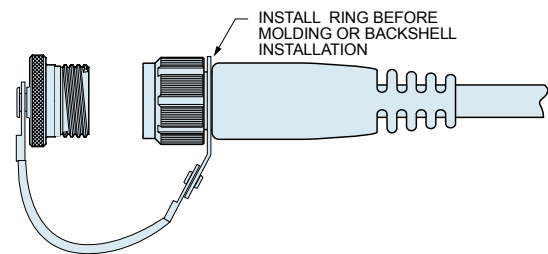
## 667-217 Cover Attachment to Cable



Large Split Ring for Attaching Covers to Cables

| Atch. Code | Max. Cable Dia. (in.) | Ring Diameter |       |         |       |
|------------|-----------------------|---------------|-------|---------|-------|
|            |                       | Min. ID       |       | Max. OD |       |
|            |                       | In.           | mm.   | In.     | mm.   |
| 50         | .410                  | .420          | 10.67 | .580    | 14.73 |
| 52         | .470                  | .480          | 12.19 | .640    | 16.26 |
| 54         | .625                  | .635          | 16.13 | .796    | 20.22 |
| 56         | .735                  | .745          | 18.92 | .905    | 22.99 |
| 58         | .875                  | .885          | 22.48 | 1.046   | 26.57 |
| 60         | 1.000                 | 1.010         | 25.65 | 1.171   | 29.74 |
| 64         | 1.115                 | 1.125         | 28.58 | 1.285   | 32.64 |
| 68         | 1.335                 | 1.345         | 34.16 | 1.505   | 38.23 |

## 667-217 Cover Attachment to Cable Assembly



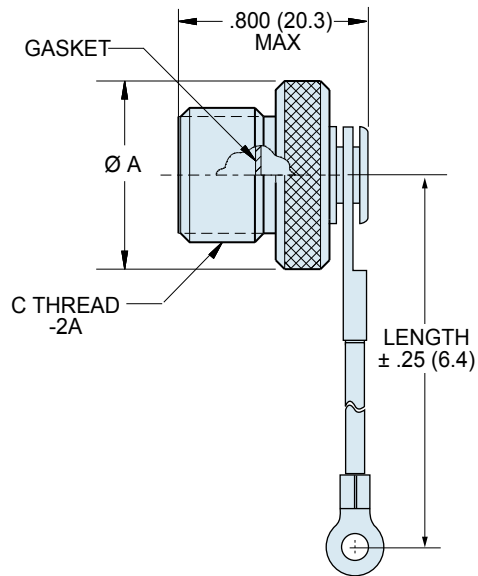
Solid Ring

| Atch. Code | Shell Size | Ring I.D. |           | Ring O.D. |            |
|------------|------------|-----------|-----------|-----------|------------|
|            |            | In. ±.015 | mm. ±0.25 | In. ±.015 | mm. ± 0.38 |
| 29         | 5          | .315      | 8.00      | .44       | 11.18      |
| 14         | 6          | .385      | 9.78      | .51       | 12.95      |
| 33         | 7,8        | .510      | 12.95     | .62       | 15.75      |
| 16         | 9          | .570      | 14.48     | .69       | 17.53      |
| 17         | 10         | .635      | 16.13     | .76       | 19.30      |
| 18         | 11,13      | .695      | 17.65     | .82       | 20.83      |
| 26         | 16,17      | .950      | 24.13     | 1.14      | 28.96      |
| 20         | 19         | 1.070     | 27.18     | 1.20      | 30.48      |
| 22         | 21         | 1.210     | 30.73     | 1.31      | 33.27      |

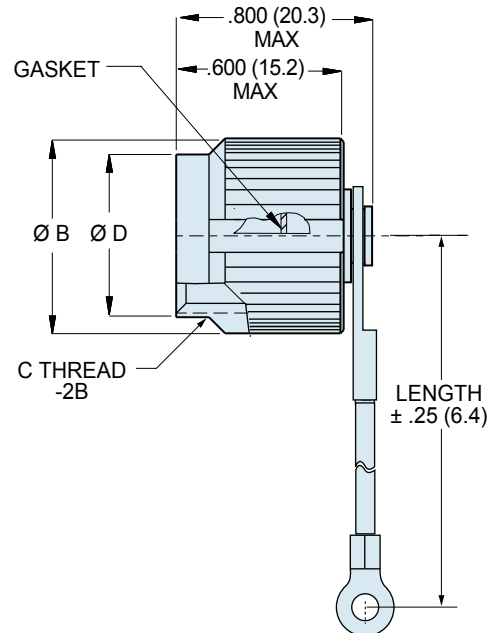
Dimensions in Inches (millimeters) are subject to change without notice.



# Series 801 Mighty Mouse Double-Start ACME Thread Metal Protective Cover 667-217 and 667-218 Dimensions



667-217 Plug Cover



667-218 Receptacle Cover

X

| Dimensions |          |      |          |       |                          |      |                |
|------------|----------|------|----------|-------|--------------------------|------|----------------|
| Shell Size | Ø A Max. |      | Ø B Max. |       | Ø D Max.<br>±.015 (0.38) |      | C Thread       |
|            | In.      | mm.  | In.      | mm.   | In.                      | mm.  |                |
| 5          | .465     | 11.8 | .488     | 12.40 | .368                     | 9.3  | .3125-.05P-.1L |
| 6          | .525     | 13.3 | .555     | 14.10 | .453                     | 11.5 | .375-.05P-.1L  |
| 7          | .590     | 14.9 | .615     | 15.62 | .538                     | 13.7 | .4375-.05P-.1L |
| 8          | .653     | 16.6 | .675     | 17.15 | .587                     | 14.9 | .5000-.05-.1L  |
| 9          | .715     | 18.0 | .840     | 21.34 | .648                     | 16.5 | .5625-.05P-.1L |
| 10         | .778     | 19.7 | .905     | 22.95 | .712                     | 18.1 | .6250-.05P-.1L |
| 11         | .840     | 21.3 | .948     | 24.1  | .778                     | 19.8 | .6875-.05P-.1L |
| 13         | .965     | 24.4 | .995     | 25.27 | .904                     | 22.9 | .8125-.1P-.2L  |
| 16         | 1.150    | 29.2 | 1.261    | 32.03 | 1.092                    | 27.7 | 1.000-.1P-.2L  |
| 17         | 1.215    | 30.8 | 1.321    | 33.55 | 1.158                    | 29.4 | 1.062-.1P-.2L  |
| 19         | 1.340    | 34.0 | 1.447    | 36.8  | 1.283                    | 32.6 | 1.1875-.1P-.2L |
| 21         | 1.477    | 37.5 | 1.570    | 39.88 | 1.412                    | 35.8 | 1.3125-.1P-.2L |

**NOTES***Materials and Finishes*

1. Cover: Aluminum alloy or stainless steel
2. Gasket: Fluorosilicone rubber
3. Wire, Hardware: Stainless steel, passivated

| Lanyard Options |  |
|-----------------|--|
|                 | -65° to +100°C., black, very flexible, very good abrasion resistance, good resistance to fuels, .120" (3mm) diameter   |
|                 | Black polyurethane over stainless steel rope, -65° to +125°C., very flexible, excellent abrasion resistance, excellent resistance to fuels, .080" (2mm) diameter |
|                 | Translucent FEP jacket over stainless steel, -65° to +200°C., fair flexibility, good abrasion resistance, .100" diameter   |
|                 | Stainless steel, #8 chain, .240" (6mm)   |
|                 | 65° to +100°C., black, very flexible, very good abrasion resistance, good resistance to fuels, .120" (3mm) diameter. Length includes .5" (13mm) diameter loop.   |

Dimensions in Inches (millimeters) are subject to change without notice.



## Стандарт Электрон Связь

Мы молодая и активно развивающаяся компания в области поставок электронных компонентов. Мы поставляем электронные компоненты отечественного и импортного производства напрямую от производителей и с крупнейших складов мира.

Благодаря сотрудничеству с мировыми поставщиками мы осуществляем комплексные и плановые поставки широчайшего спектра электронных компонентов.

Собственная эффективная логистика и склад в обеспечивает надежную поставку продукции в точно указанные сроки по всей России.

Мы осуществляем техническую поддержку нашим клиентам и предпродажную проверку качества продукции. На все поставляемые продукты мы предоставляем гарантию .

Осуществляем поставки продукции под контролем ВП МО РФ на предприятия военно-промышленного комплекса России , а также работаем в рамках 275 ФЗ с открытием отдельных счетов в уполномоченном банке. Система менеджмента качества компании соответствует требованиям ГОСТ ISO 9001.

Минимальные сроки поставки, гибкие цены, неограниченный ассортимент и индивидуальный подход к клиентам являются основой для выстраивания долгосрочного и эффективного сотрудничества с предприятиями радиоэлектронной промышленности, предприятиями ВПК и научно-исследовательскими институтами России.

С нами вы становитесь еще успешнее!

### Наши контакты:

**Телефон:** +7 812 627 14 35

**Электронная почта:** [sales@st-electron.ru](mailto:sales@st-electron.ru)

**Адрес:** 198099, Санкт-Петербург,  
Промышленная ул, дом № 19, литера Н,  
помещение 100-Н Офис 331