



MIC2039

High-Accuracy, High-Side, Adjustable Current Limit Power Switch

General Description

The MIC2039 is a high-side MOSFET power distribution switch providing increased system reliability by using 5% current-limit accuracy.

The MIC2039 has an operating input voltage range from 2.5V to 5.5V, is internally current limited, and has thermal shutdown to protect the device and system. The MIC2039 is offered with either active-high or active-low logic level enable input controls. It has an open drain fault status output flag with a built-in 32ms delay that asserts low during overcurrent or thermal-shutdown conditions.

The MIC2039 switches feature an adjustable output current limit that is resistor programmable from 0.2A to 2.5A. The MIC2039 switch also offers a unique, Kickstart feature that allows momentary high-current surges up to the secondary current limit (I_{LIMIT_2nd}) during startup or while operating in steady state. This is useful for charging loads with high inrush currents, such as capacitors. After an overcurrent condition is established, these switches enter into a constant current-limit mode unless the die temperature exceeds the thermal-shutdown specification.

The MIC2039 is available in 6-pin SOT-23 and 6-pin 2mm x 2mm thin DFN packages. The MIC2039 has an operating junction temperature range of -40°C to $+125^{\circ}\text{C}$.

Datasheets and support documentation are available on Micrel's web site at: www.micrel.com.

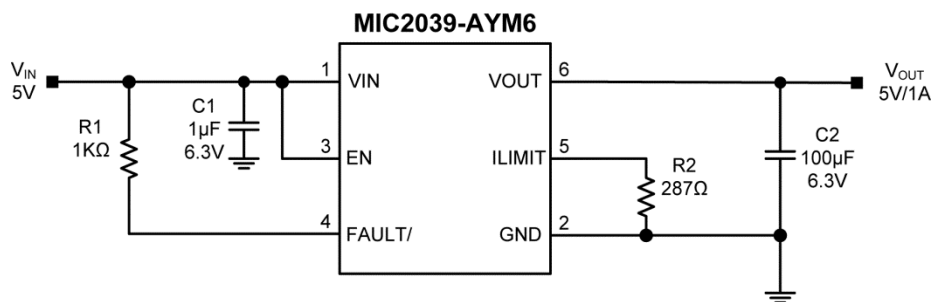
Features

- $\pm 5\%$ current limit accuracy
- Input supply range from 2.5V to 5.5V
- Low quiescent current: 100 μA typical (switch ON)
- 75m Ω typical $R_{DS(ON)}$ at 5.0V
- 0.2A to 2.5A adjustable output current
- Kickstart – momentary secondary current-limit threshold (120ms period)
- Soft-start functionality
- Undervoltage lockout (UVLO)
- Fast 10 μs short-circuit response time (non-Kickstart options)
- Fault status output flag
- Logic-controlled enable (active-high, active-low)
- Thermal shutdown
- Pin compatible with the MIC2009/MIC2019
- 6-pin 2mm x 2mm thin DFN and 6-pin SOT-23 packages
- Junction temperature range from -40°C to $+125^{\circ}\text{C}$

Applications

- USB peripherals and USB 2.0/3.0 compatible
- DTV/STB
- Notebooks and consumer electronics
- General-purpose power distribution

Typical Application



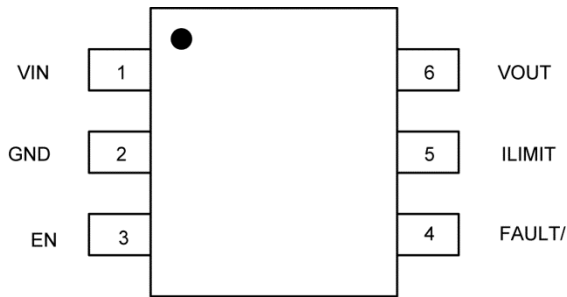
Ordering Information

| Part Number | Top Mark ⁽¹⁾ | Current Limit | Enable | Kickstart | Package |
|-------------|-------------------------|---------------|-------------|-----------|---|
| MIC2039AYM6 | <u>39AA</u> | Adjustable | Active High | No | SOT-23-6L |
| MIC2039BYM6 | <u>39BB</u> | Adjustable | Active Low | No | SOT-23-6L |
| MIC2039AYMT | 3A9 | Adjustable | Active High | No | 6-pin 2mm x 2mm Thin DFN ⁽²⁾ |
| MIC2039BYMT | B39 | Adjustable | Active Low | No | 6-pin 2mm x 2mm Thin DFN ⁽²⁾ |
| MIC2039EYM6 | <u>39AE</u> | Adjustable | Active High | Yes | SOT-23-6L |
| MIC2039FYM6 | <u>39AF</u> | Adjustable | Active Low | Yes | SOT-23-6L |
| MIC2039EYMT | D39 | Adjustable | Active High | Yes | 6-pin 2mm x 2mm Thin DFN ⁽²⁾ |
| MIC2039FYMT | F39 | Adjustable | Active Low | Yes | 6-pin 2mm x 2mm Thin DFN ⁽²⁾ |

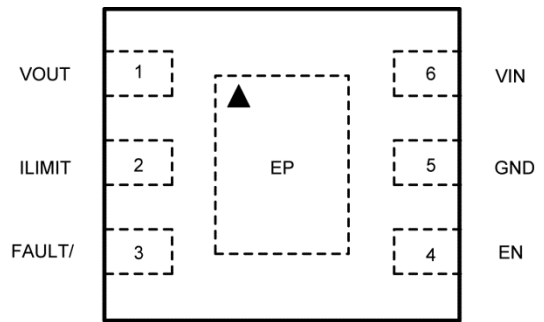
Note:

1. Under-bar symbol () may not be to scale.
2. Thin DFN is a GREEN RoHS-compliant package. Lead finish is NiPdAu. Mold compound is Halogen Free.

Pin Configuration



**SOT-23 6-pin (M6)
Top View**



**2mm x 2mm 6-pin Thin DFN (MT)⁽³⁾
(Top View)**

Notes:

3. Thin DFN ▲ = Pin 1 identifier.

Pin Description

| Pin Number | | Pin Name | Pin Function |
|------------|--------------------------------|----------|---|
| SOT-23-6L | 6-Pin 2mm x 2mm Thin DFN | | |
| 1 | 6 | VIN | Input: Power switch and logic supply input. |
| 2 | 5 | GND | Ground: Input and output return pin. |
| 3 | 4 | EN | Enable (Input): Logic compatible, enable control input that allows switch turn-on/off. Do not leave the EN pin floating. |
| 4 | 3 | FAULT/ | Fault Status Flag (Output): Active-low, open-drain output. A logic low state indicates an overcurrent or thermal shutdown condition. An overcurrent condition must last longer than $t_{FAULT/}$ to assert FAULT/. A pull-up resistor (10k Ω recommended) to an external supply is required. |
| 5 | 2 | ILIMIT | Current Limit Set: Current limit adjust setting. Connect a resistor from this pin to GND to set the current limit, but do not leave the ILIMIT pin floating. |
| 6 | 1 | VOUT | Switch Output: Power switch output. |
| — | EP | ePad | Exposed Pad: Exposed pad on bottom of package. Connect to electrical ground for optimum thermal dissipation. |

Absolute Maximum Ratings⁽⁴⁾

| | |
|--|--------------------|
| V _{IN} to GND..... | -0.3V to +6V |
| V _{OUT} to GND..... | -0.3V to +6V |
| V _{ILIMIT} to GND..... | -0.3V to +6V |
| V _{EN} to GND..... | -0.3V to +6V |
| V _{FAULT/} to GND..... | -0.3V to +6V |
| FAULT/ Current (I _{FAULT/})..... | 25mA |
| Maximum Power Dissipation (P _D)..... | Internally Limited |
| Lead Temperature (soldering, 10s)..... | 260°C |
| Storage Temperature (T _S)..... | -65°C to +150°C |
| ESD Rating ⁽⁶⁾ | |
| HBM..... | 3kV |
| MM..... | 300V |

Operating Ratings⁽⁵⁾

| | |
|--|--------------------------|
| Supply Voltage (V _{IN})..... | +2.5V to +5.5V |
| V _{EN} , V _{FAULT/} | -0.3V to +5.5V |
| V _{ILIMIT} , V _{OUT} | -0.3V to V _{IN} |
| Junction Temperature (T _J)..... | -40°C to +125°C |
| Package Thermal Resistance | |
| SOT-23-6 (θ _{JA})..... | 177.2°C/W |
| 6-pin 2mm × 2mm Thin DFN (θ _{JA})..... | 90°C/W |

Electrical Characteristics⁽⁷⁾

V_{IN} = V_{EN} = 5V; C_{IN} = 1μF; T_J = 25°C. **Bold** values indicate -40°C ≤ T_A ≤ +85°C, unless noted.

| Symbol | Parameter | Condition | Min. | Typ. | Max. | Units | | |
|---------------------------|--|---|--|------|------------|----------|----|------------|
| Power Supply Input | | | | | | | | |
| V _{IN} | Input Voltage Range | | 2.5 | | 5.5 | V | | |
| V _{UVLO} | Input Supply Undervoltage Lockout Threshold | V _{IN} rising | 2.0 | 2.25 | 2.5 | V | | |
| | | V _{IN} falling | 1.9 | 2.15 | 2.4 | V | | |
| V _{UVLOHYS} | Input Supply Undervoltage Lockout Threshold Hysteresis | V _{IN} rising or V _{IN} falling | | 100 | | mV | | |
| I _{DD} | Supply Current | Switch OFF (I _{OUT} = 0A) | Active-high Enable (A): V _{EN} = 0V, V _{IN} = 5V | | 0.75 | 5 | μA | |
| | | | Active-low Enable (B): V _{EN} = V _{IN} = 5V | | | | | |
| | | Switch ON (I _{OUT} = 0A) | Active-high Enable (A): V _{EN} = 1.5V, V _{IN} = 5V | | | 100 | | 300 |
| | | | Active-low Enable (B): V _{EN} = 0V, V _{IN} = 5V | | | | | |
| Power MOSFET | | | | | | | | |
| R _{DS(ON)} | Switch On Resistance | V _{IN} = 2.5V, I _{OUT} = 350mA | | 100 | 177 | mΩ | | |
| | | V _{IN} = 3.3V, I _{OUT} = 350mA | | 85 | 145 | | | |
| | | V _{IN} = 5V, I _{OUT} = 350mA | | 75 | 125 | | | |
| I _{LKG} | Output Leakage Current | Switch Off, V _{OUT} = 0V | | 0.22 | 15 | μA | | |

Notes:

- Exceeding the absolute maximum ratings may damage the device.
- The device is not guaranteed to function outside its operating ratings.
- Devices are ESD sensitive. Handling precautions are recommended. Human body model, 1.5kΩ in series with 100pF.
- Specification for packaged product only

Electrical Characteristics⁽⁷⁾ (Continued)

$V_{IN} = V_{EN} = 5V$; $C_{IN} = 1\mu F$; $C_{OUT} = 1\mu F$ $T_J = 25^\circ C$. **Bold** values indicate $-40^\circ C \leq T_J \leq +125^\circ C$, unless noted otherwise.

| Symbol | Parameter | Condition | Min. | Typ. | Max. | Units |
|--|---|--|------------|------|------------|------------|
| Current Limit | | | | | | |
| I_{LIMIT} | Current Limit (Resistor values are standard 0.1% values) | $R_{LIMIT} = 115\Omega$, $V_{IN} = 5V$, $V_{OUT} = 0.8V \times V_{IN}$ | 2.35 | 2.5 | 2.65 | A |
| | | $R_{LIMIT} = 115\Omega$, $V_{IN} = 2.5V$, $V_{OUT} = 0V$ | 2.6 | 2.85 | 3.1 | |
| | | $R_{LIMIT} = 145\Omega$, $V_{IN} = 5V$, $V_{OUT} = 0.8V \times V_{IN}$ | 1.90 | 2.0 | 2.10 | |
| | | $R_{LIMIT} = 287\Omega$, $V_{IN} = 5V$, $V_{OUT} = 0.8V \times V_{IN}$ | 0.95 | 1.0 | 1.05 | |
| | | $R_{LIMIT} = 576\Omega$, $V_{IN} = 5V$, $V_{OUT} = 0.8V \times V_{IN}$ | 0.475 | 0.50 | 0.525 | |
| | | $R_{LIMIT} = 1.45k\Omega$, $V_{IN} = 5V$, $V_{OUT} = 0.8V \times V_{IN}$ | 0.19 | 0.20 | 0.21 | |
| I_{LIMIT_2nd} | Secondary Current Limit (Kickstart parts only) | $V_{OUT} = 0V$ | 2.2 | 3.2 | 6 | A |
| I/O | | | | | | |
| V_{EN} | Enable Voltage | Logic Low | | | 0.5 | V |
| | | Logic High | 1.5 | | | |
| I_{EN} | Enable Input Current | $0V \leq V_{EN} \leq 5V$ | | 1 | | μA |
| $R_{FAULT/}$ | FAULT/ Output Resistance | $I_{OUT} = 10mA$ | | | 25 | Ω |
| I_{FAULT_OFF} | FAULT/ Off Current | $V_{FAULT/} = V_{IN}$ | | | 10 | μA |
| Thermal Protection | | | | | | |
| T_{SD} | Thermal-Shutdown Threshold | T_J rising | | 157 | | $^\circ C$ |
| T_{SDHYS} | Thermal-Shutdown Hysteresis | | | 15 | | $^\circ C$ |
| Timing Specifications (AC Parameters) | | | | | | |
| t_{RISE} | Output Turn-on Rise Time ⁽⁸⁾ | $R_{LOAD} = 10\Omega$; $C_{OUT} = 1\mu F$ | | 700 | | μs |
| t_{FALL} | Output Turn-off Fall Time ⁽⁸⁾ | $V_{EN} = OFF$; $R_{LOAD} = 10\Omega$; $C_{OUT} = 1\mu F$ | | 32 | | μs |
| t_{ON_DLY} | Output Turn-on Delay ⁽⁸⁾ | $R_{LOAD} = 10\Omega$; $C_{OUT} = 1\mu F$ | | 700 | | μs |
| t_{OFF_DLY} | Output Turn-off Delay ⁽⁸⁾ | $R_{LOAD} = 10\Omega$; $C_{OUT} = 1\mu F$ | | 5 | | μs |
| t_{SC_RESP} | Short Circuit Response Time ⁽⁸⁾ | $V_{OUT} = 0V$ (short circuit) | | 10 | | μs |
| $t_{FAULT/}$ | Overcurrent Fault Response Delay Time ⁽⁸⁾ | Non-Kickstart parts | 16 | 32 | 49 | ms |
| $t_{KICKSTART}$ | Overcurrent Fault Response Delay During Kickstart ⁽⁸⁾ | Kickstart parts only | 64 | 120 | 200 | ms |

Note:

8. See "Timing Diagrams" (Figures 1 through 4).

Timing Diagrams

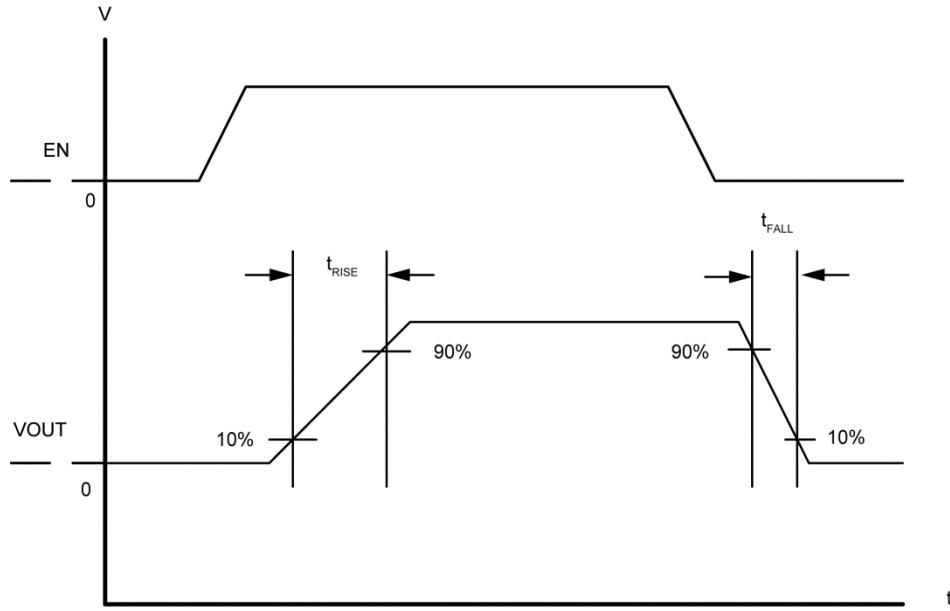


Figure 1. Output Rise/Fall Time

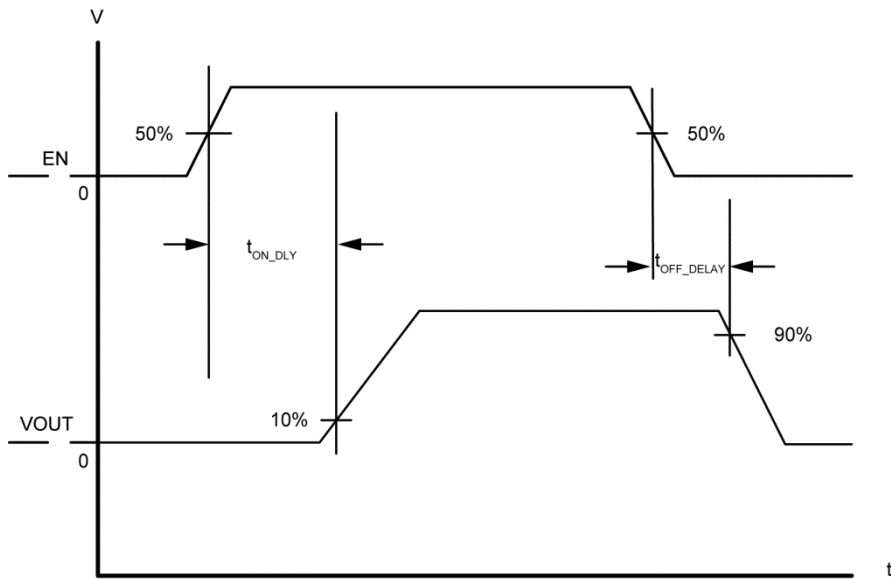


Figure 2. Turn-On/Off Delay

Timing Diagrams (Continued)

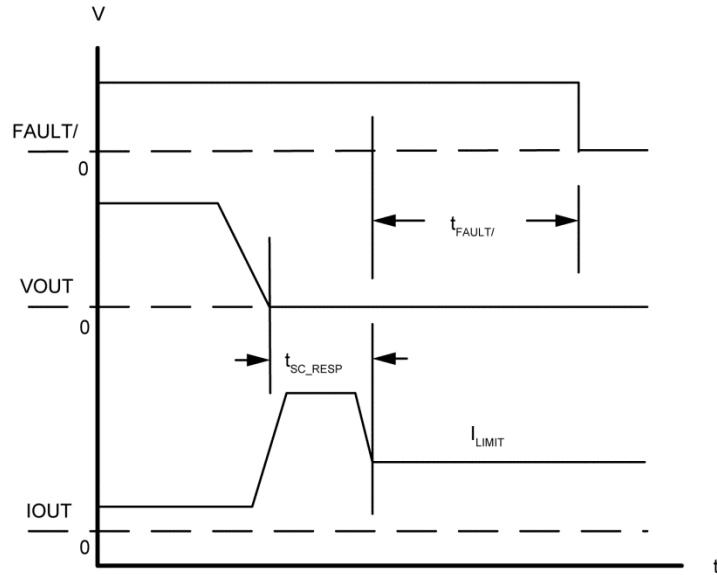


Figure 3. Short Circuit Response Time and Overcurrent Fault Flag Delay (Non-Kickstart)

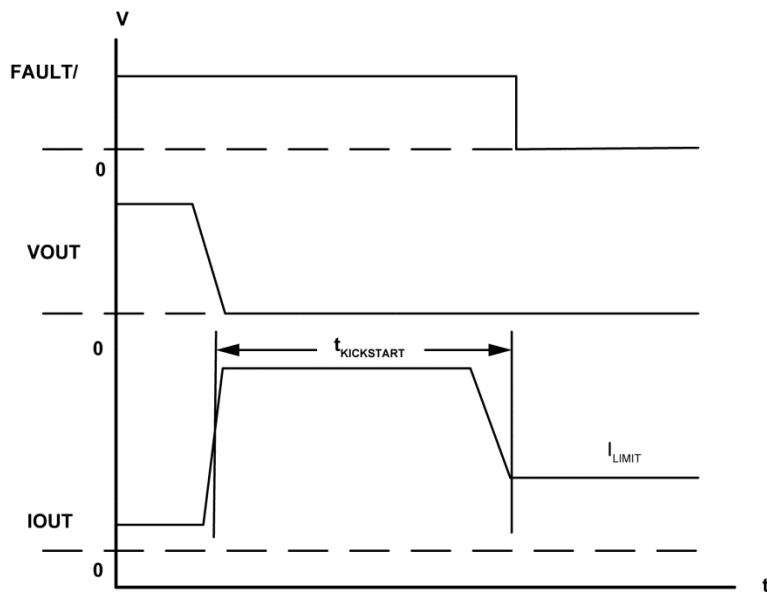
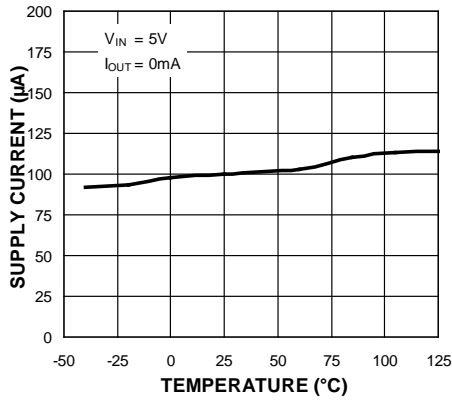


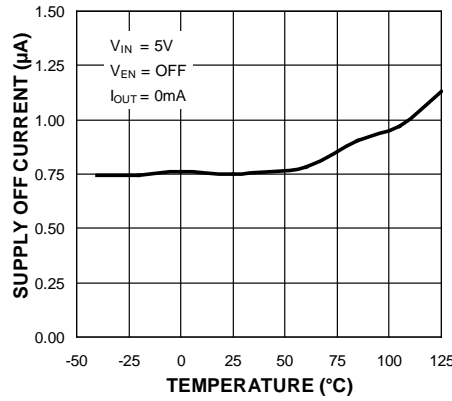
Figure 4. Overcurrent Fault Flag Delay (Kickstart)

Typical Characteristics

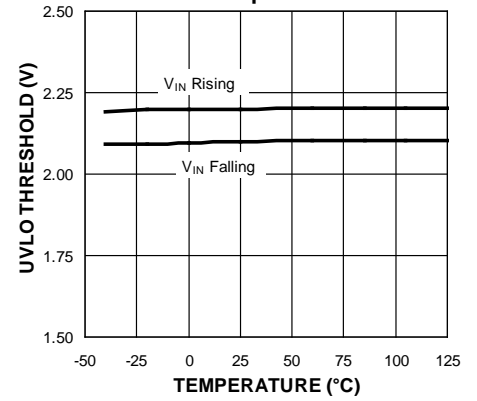
Input Supply Current vs. Temperature



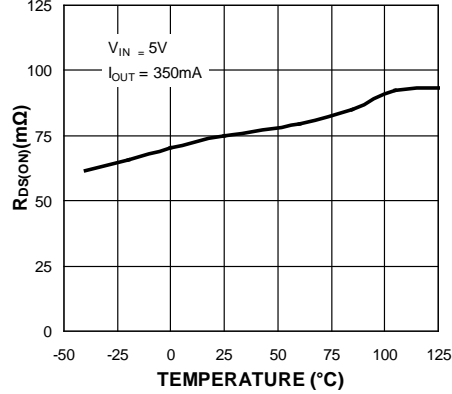
VIN OFF Current vs. Temperature



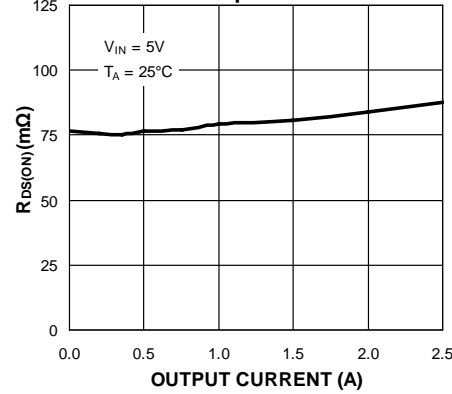
Undervoltage Lockout vs. Temperature



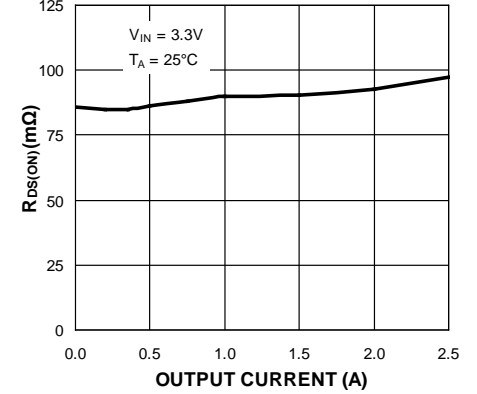
R_{DS(ON)} vs. Temperature



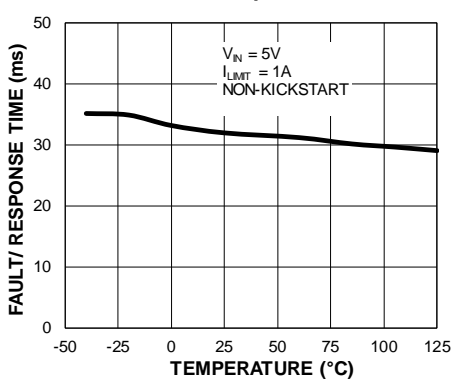
R_{DS(ON)} vs. Output Current



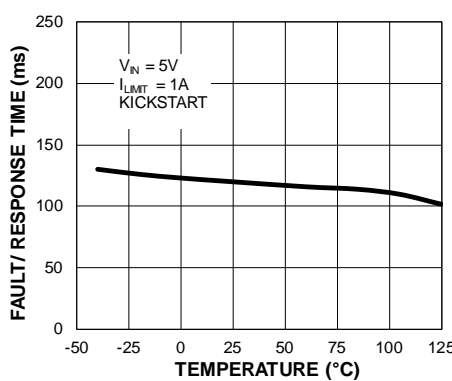
R_{DS(ON)} vs. Output Current



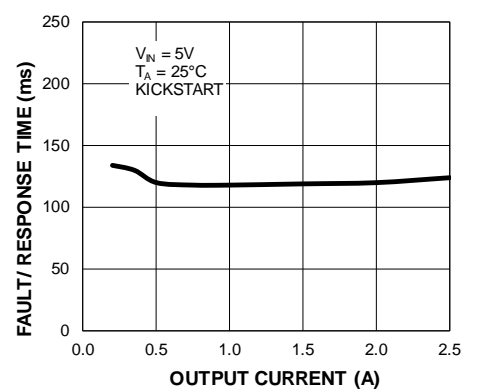
FAULT/ Response Time vs. Temperature



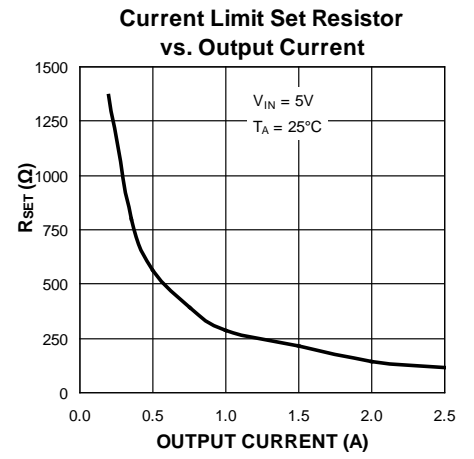
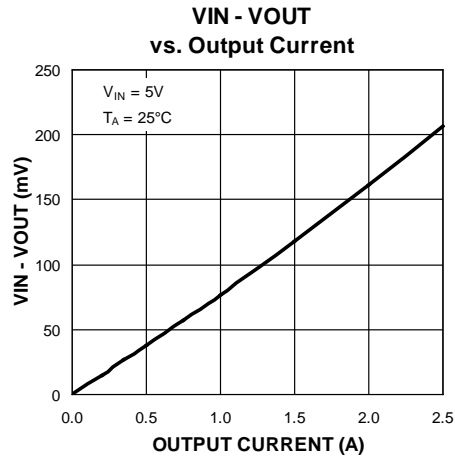
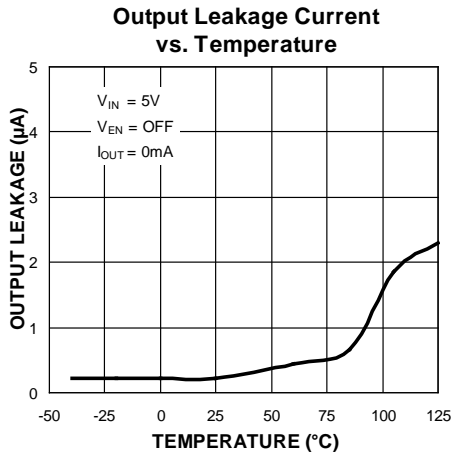
FAULT/ Response Time vs. Temperature



FAULT/ Response Time vs. Output Current

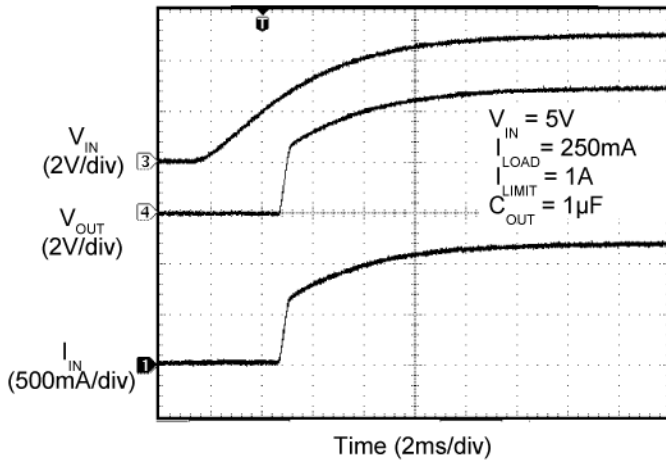


Typical Characteristics (Continued)

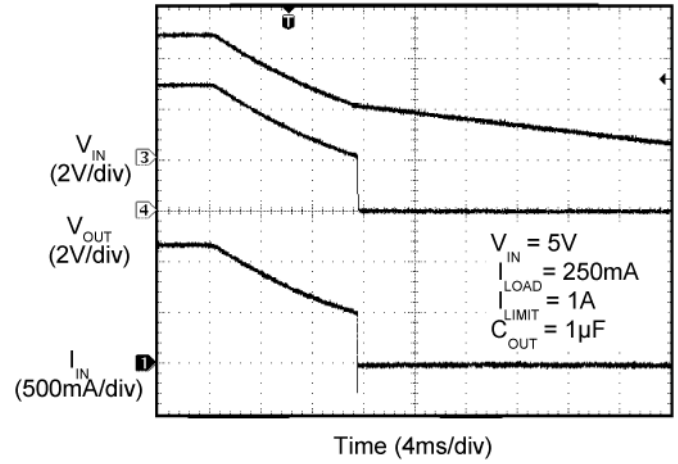


Functional Characteristics

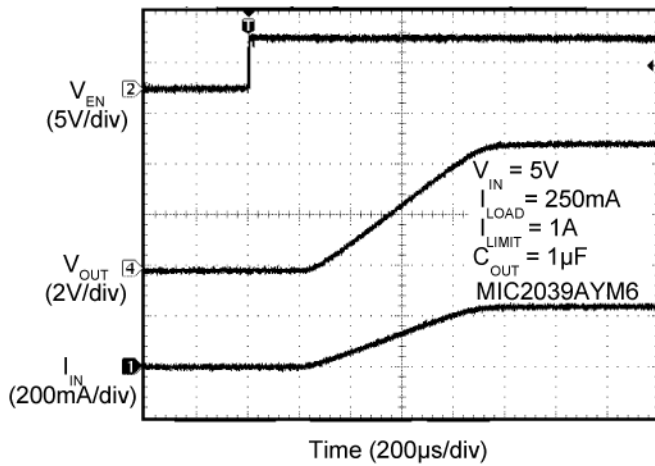
Soft-Start Turn-On



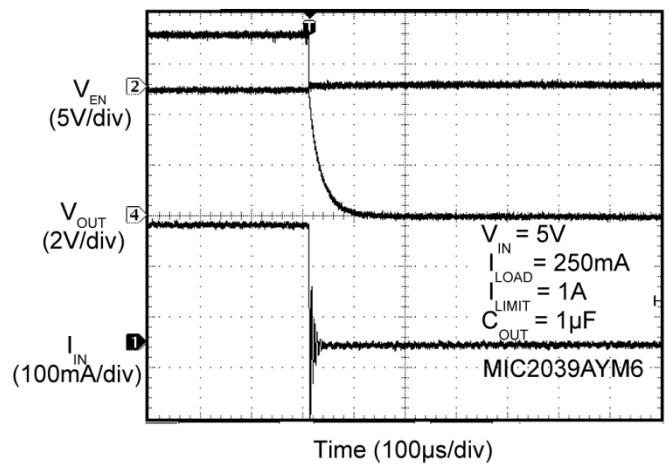
Soft-Start Turn-Off



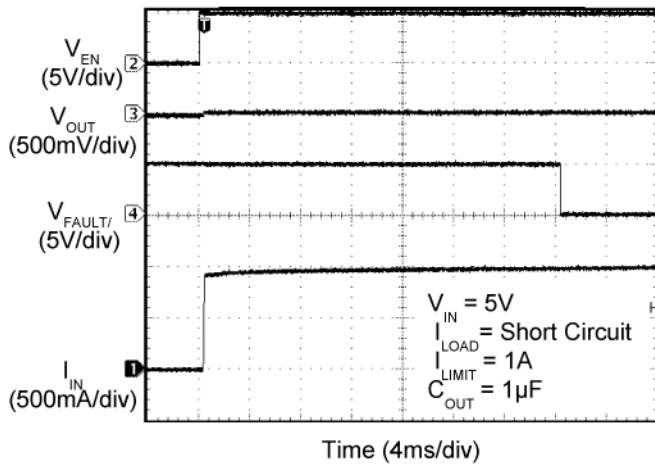
Enable Turn-On



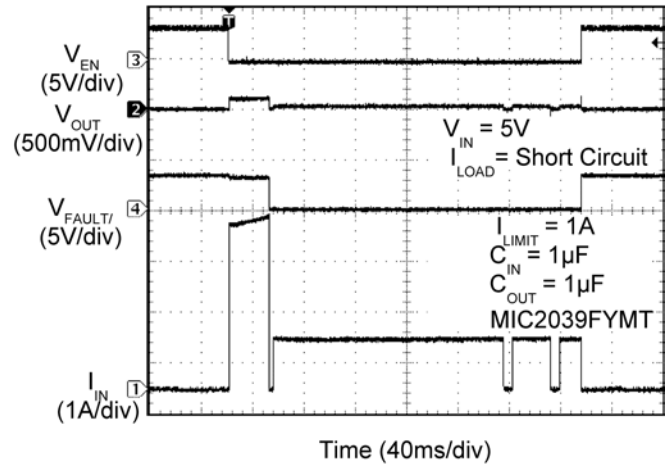
Enable Turn-Off



Turn-On Into Short Circuit

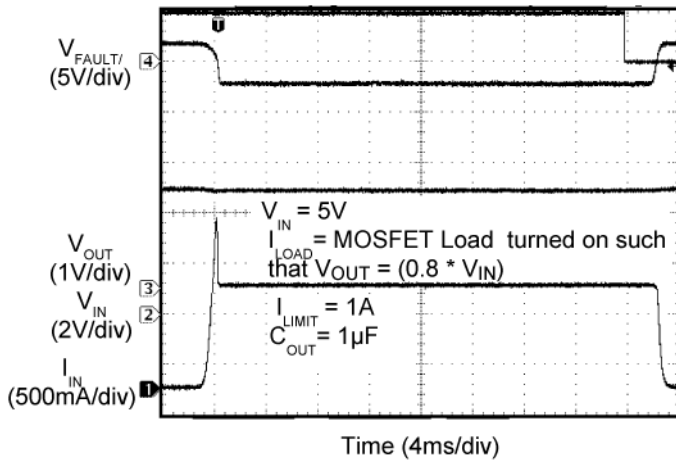


Turn-On Into Short (Kickstart)

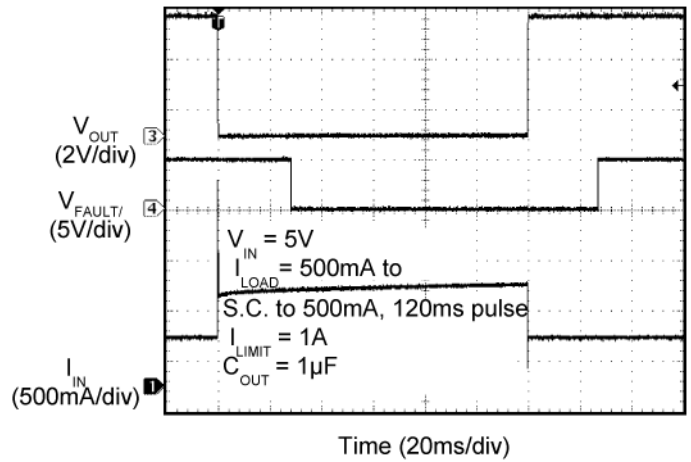


Functional Characteristics (Continued)

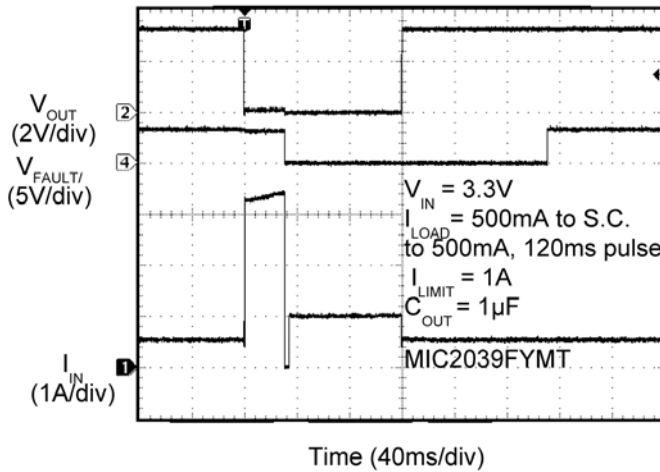
Current Limit Response



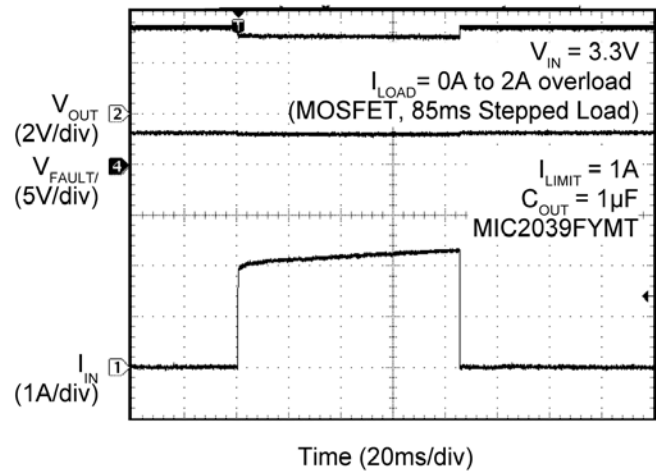
Output Recovery from Short Circuit



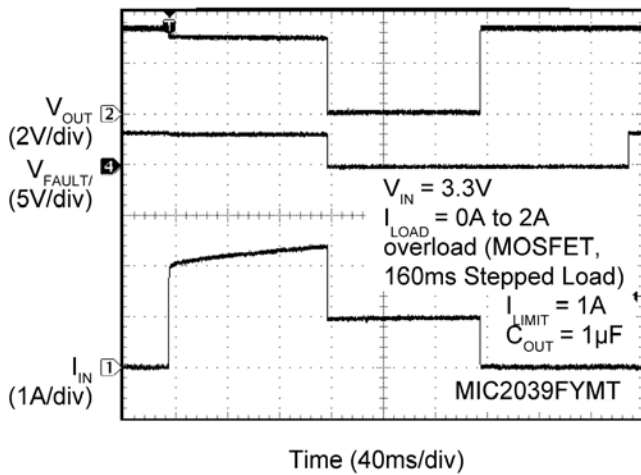
Output Recovery from S.C. - Kickstart



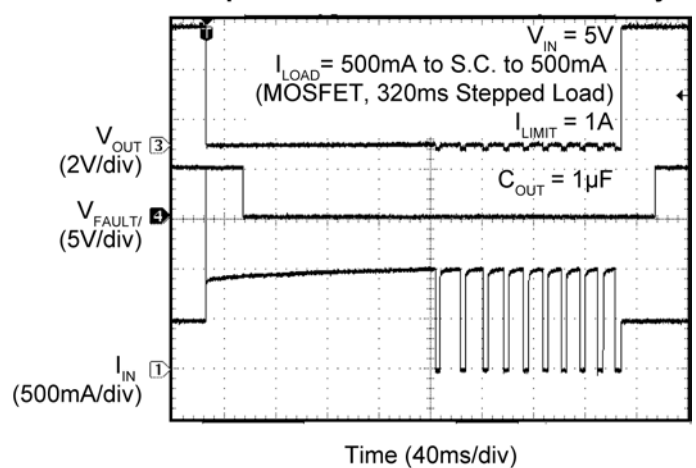
85ms Stepped Load Pulse - Kickstart



160ms Stepped Load Pulse - Kickstart

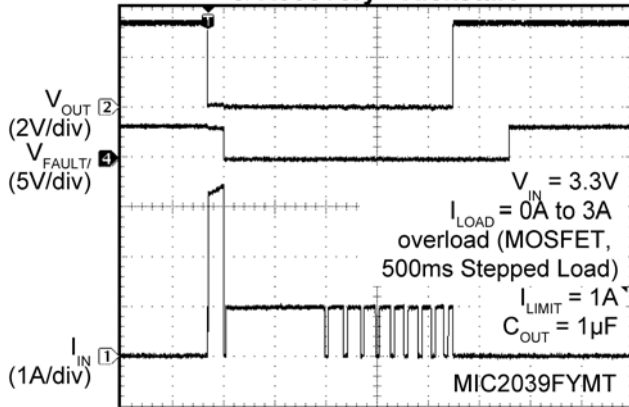


Output Thermal Shutdown & Recovery



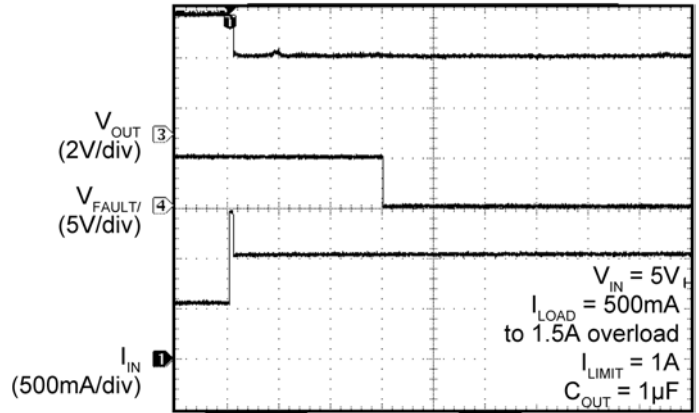
Functional Characteristics (Continued)

Output Thermal Shutdown & Recovery - Kickstart



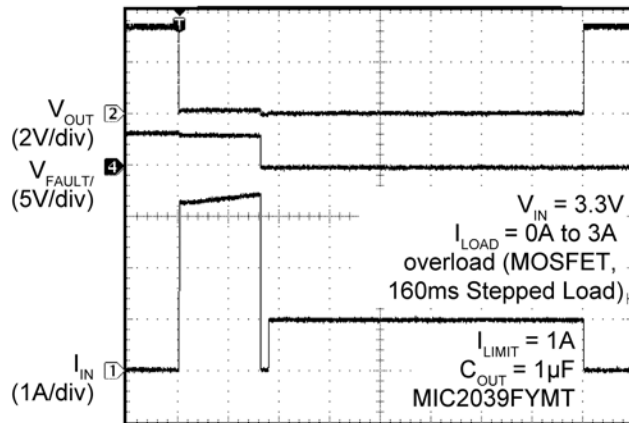
Time (100ms/div)

1.5A Overload Response



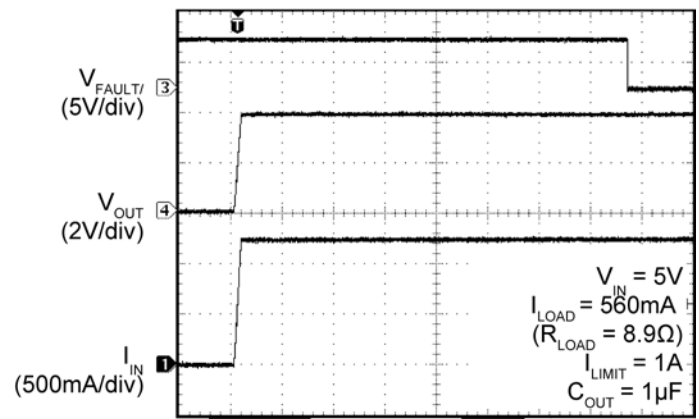
Time (10ms/div)

3A Overload Response - Kickstart



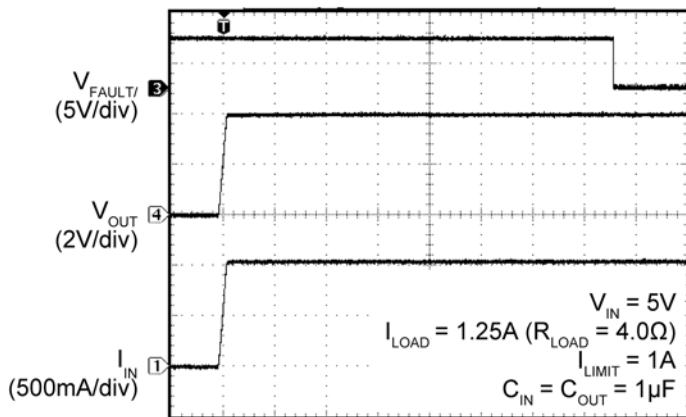
Time (20ms/div)

Turn-On Into 12% Overload - 500mA I_{LIMIT}



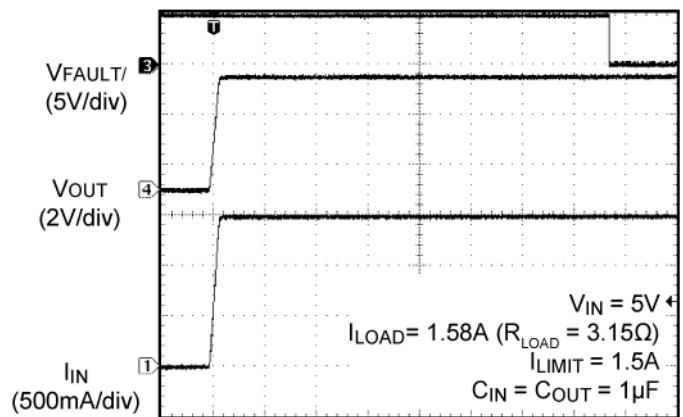
Time (4ms/div)

Turn-On Into 25% Overload - 1A I_{LIMIT}



Time (4ms/div)

Turn-On Into Minimal Overload - 1.5A I_{LIMIT}



Time (4ms/div)

Functional Diagram

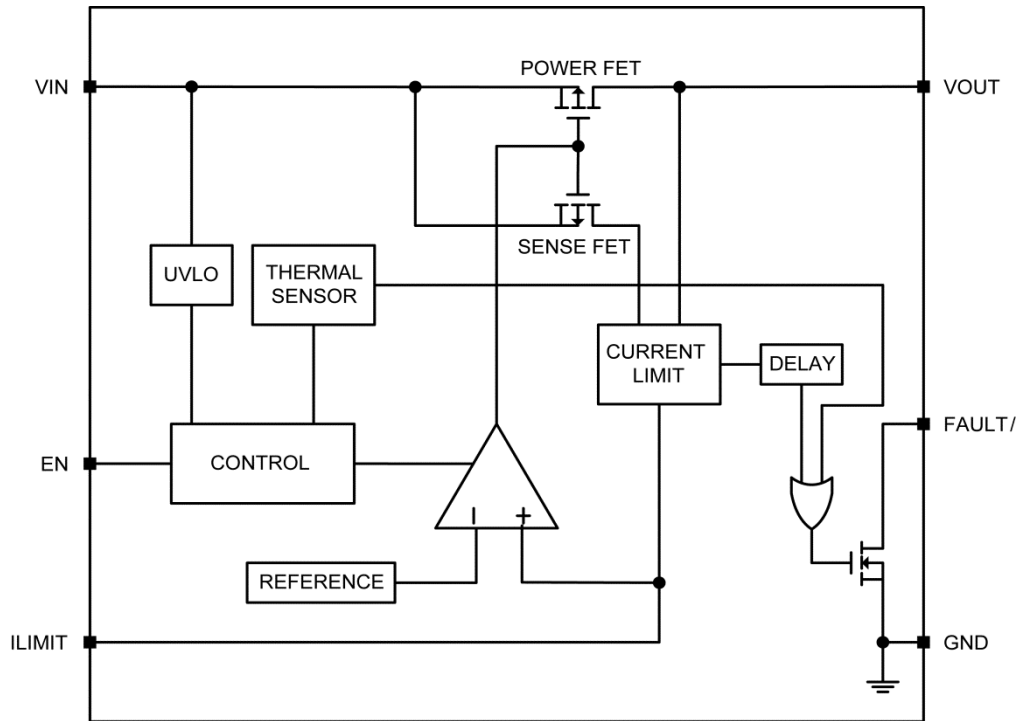


Figure 5. MIC2039 Block Diagram

Functional Description

The MIC2039 is a high-side MOSFET power-distribution switch that provides increased system reliability by using 5% current limit accuracy. The MIC2039 is internally current limited and has thermal shutdown, which protects the device and system.

The MIC2039 has a soft-start circuit that minimizes inrush current by slowing the turn-on time. Additionally, the MIC2039 has an optional Kickstart feature, which momentarily overrides the normal current-limiting function to allow higher inrush and/or transient currents.

Soft-Start

Soft-start reduces the power-supply input surge current at startup by controlling the output voltage rise time. The input surge appears while the output capacitor is charged up. A slower output rise time draws a lower input surge current.

KICKSTART Inrush Overcurrent Filter

The MIC2039EYxx and MIC2039FYxx are equipped with a secondary current limit that allows high inrush current transients to pass for a set period before the primary current-limit circuitry becomes active. The FAULT/ status flag does not assert during the Kickstart period (typically 120ms), which eliminates any false (FAULT/) assertions. The Kickstart function is active during initial startup or while operating in steady state.

Input Capacitor

Micrel recommends a 1 μ F to 10 μ F ceramic input capacitor for most applications.

Place the input capacitor on the same side of the board and next to the MIC2039 to minimize the voltage ringing during transient and short-circuit conditions. Using two vias for each end of the capacitor to connect to the power and ground plane is also recommended.

Micrel recommends X7R or X5R dielectric ceramic capacitors because of their temperature performance. X7R-type capacitors change capacitance by 15% over their operating temperature range and are the most stable type of ceramic capacitors. Z5U and Y5V dielectric capacitors change value by as much as 50% and 60%, respectively, over their operating temperature ranges. To use a ceramic chip capacitor with Y5V dielectric, the value must be much higher than an X7R ceramic or a tantalum capacitor to ensure the same capacitance value over the operating temperature range.

Output Capacitor

The output capacitor type and placement criteria are the same as for the input capacitor. See the "Input Capacitor" section for a detailed description.

Enable

The MIC2039 offers either an active-high or active-low enable input (EN) that allows ON/OFF control of the switch output. The current through the device reduces to near "zero" when the device is shut down, with only microamperes of leakage current. The EN input can be directly tied to VIN or driven by a voltage that is equal to or less than VIN; do not leave this pin floating.

Adjustable Current Limit

The MIC2039 current limit is adjustable from 0.2A to 2.5A by connecting a resistor from the ILIMIT pin to GND. The following equation determines the resistor:

$$R_{LIMIT} \cong 289 / I_{LIMIT} \quad \text{Eq. 1}$$

where I_{LIMIT} is the typical current limit from the electrical table. If the output current exceeds the set current limit, the MIC2039 switch enters constant current limit mode. The maximum allowable current limit can be less than the full specified and/or expected current if the MIC2039 is not mounted on a circuit board with sufficiently low thermal resistance. Table 1 shows resistor values (1%) for select current limit settings.

Table 1. Resistor Selection for Adjustable Current Limit

| I_{LIMIT} | 0.2A | 0.5A | 1.0A | 2A | 2.5A |
|-------------|----------------|--------------|--------------|--------------|--------------|
| R_{LIMIT} | 1.45k Ω | 576 Ω | 287 Ω | 145 Ω | 115 Ω |

High Current Limit Application Considerations

For higher current applications, a robust circuit design is necessary to avoid part failure due to large voltage and/or current swings. When dealing with fast AC transients at higher current limits, the use of a local bypass capacitor is critical in order to maintain a stable input supply. For proper operation, minimizing stray and/or parasitic inductance from the supply to VIN (of IC) and VOUT (of IC) to the actual load can be achieved through a compact circuit design. Table 2 below lists the recommended input/output capacitors for the higher DC current limit settings:

Table 2. Recommended C_{IN}/C_{OUT} vs I_{LIMIT}

| I _{LIMIT} | *C _{IN} | C _{OUT} |
|--------------------|------------------|------------------|
| 1A | 1μF | 10μF |
| 2A | 10μF | 47μF |
| 2.5A | 10μF | 47μF |

*These recommended values are for wire/traces less than 3 inches from the supply to the input and from the output to the load. For lengthy connections (>6 inches), use a 4.7μF (I_{LIMIT} = 1A) and 22μF (I_{LIMIT} > 2A) input capacitor.

Thermal Design

To help reduce the thermal resistance, the ePad (underneath the IC) should be soldered to the PCB ground. The placement of thermal vias either underneath or near the ePad is highly recommended. Thermal design requires the following application-specific parameters:

- Maximum ambient temperature (T_A)
- Output current (I_{OUT})
- Input voltage (V_{IN})
- Current limit (I_{LIMIT})

When the MIC2039 is in constant current limit mode, it may exceed the overtemperature threshold. If this occurs, the overtemperature condition will shut down the MIC2039 switch and the fault status flag will go active (assert low). After the switch cools down, it automatically turns on again. The user can maximize the MIC2039 power dissipation by either lowering the thermal resistance on the exposed pad (only the DFN package has an exposed pad) on the printed circuit board, or by limiting the maximum allowable ambient temperature.

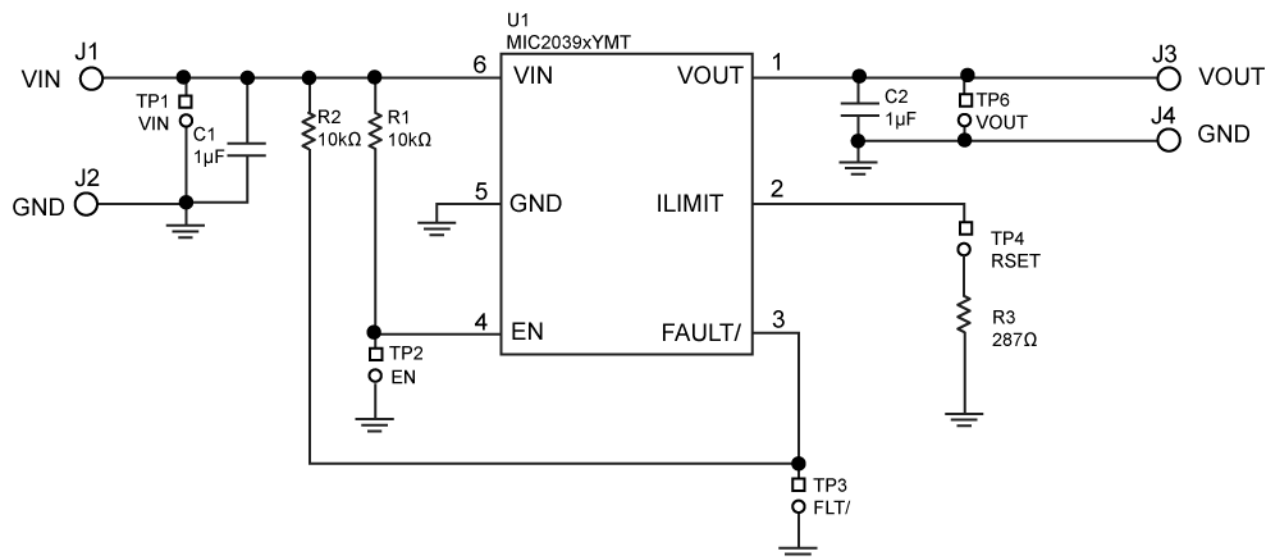
Thermal Measurements

It is always wise to measure the IC's case temperature to make sure that it is within its operating limits. Although this might seem like an elementary task, it is very easy to get false results. The most common mistake is to use the standard thermal couple that comes with the thermal voltage meter. This thermal couple wire gauge is large, typically 22 gauge, and behaves like a heatsink, resulting in a lower case measurement.

There are two suggested methods for measuring the IC case temperature: a thermal couple or an infrared thermometer. If a thermal couple is used, it must be constructed of 36 gauge wire or higher to minimize the wire heatsinking effect. In addition, the thermal couple tip must be covered in either thermal grease or thermal glue to make sure that the thermal couple junction is making good contact to the case of the IC. Thermal couple 5SC-TT-K-36-36 from Omega is adequate for most applications.

To avoid using messy thermal couple grease or glue, an infrared thermometer is recommended. Most infrared thermometers' spot size is too large for an accurate reading on small form factor ICs. However, an IR thermometer from Optris has a 1mm spot size, which makes it ideal for the 2mm × 2mm thin DFN package. Also, get the optional stand. The stand makes it easy to hold the beam on the IC for long periods of time.

Evaluation Board Schematic



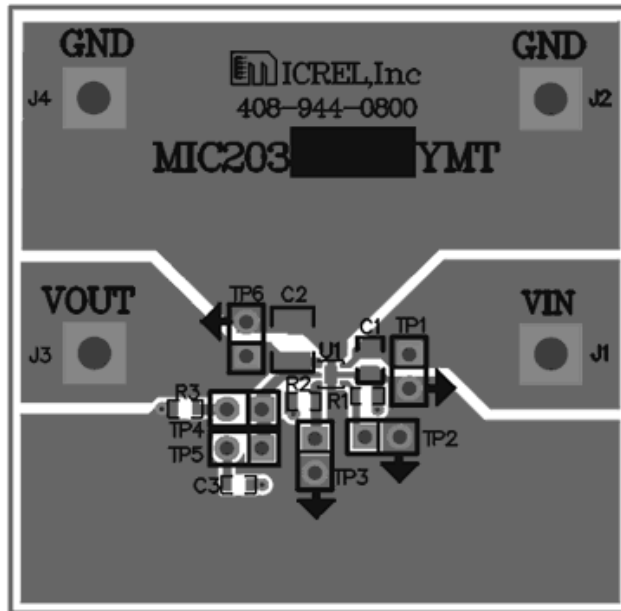
Bill of Materials

| Item | Part Number | Manufacturer | Description | Qty. |
|--------|------------------|-----------------------------|---|------|
| C1, C2 | C1608X5R0J105K | TDK ⁽⁹⁾ | 1µF/6.3V ceramic capacitor, X5R, 0603 | 2 |
| | 06036D105KAT2A | AVX ⁽¹⁰⁾ | | |
| R1, R2 | CRCW060310K0FKEA | Vishay/Dale ⁽¹¹⁾ | 10kΩ, film resistor, 0603, 1% | 2 |
| R3 | CRCW06032870FKEA | Vishay/Dale | 287Ω film resistor, 0603, 1% | 1 |
| U1 | MIC2039xYMT | Micrel ⁽¹²⁾ | High-accuracy, high-side, adjustable current-limit power switch | 1 |

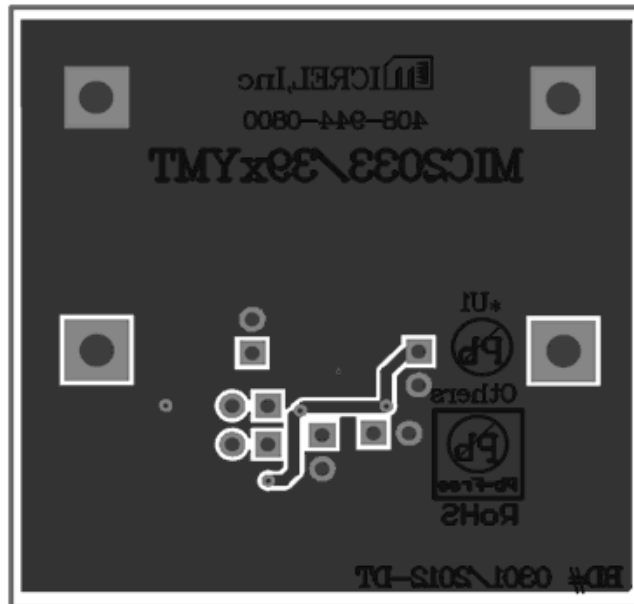
Notes:

9. TDK: www.tdk.com.
10. AVX.: www.avx.com.
11. Vishay: www.vishay.com.
12. Micrel, Inc.: www.micrel.com.

PCB Layout (MIC2039xYMT Evaluation Board)

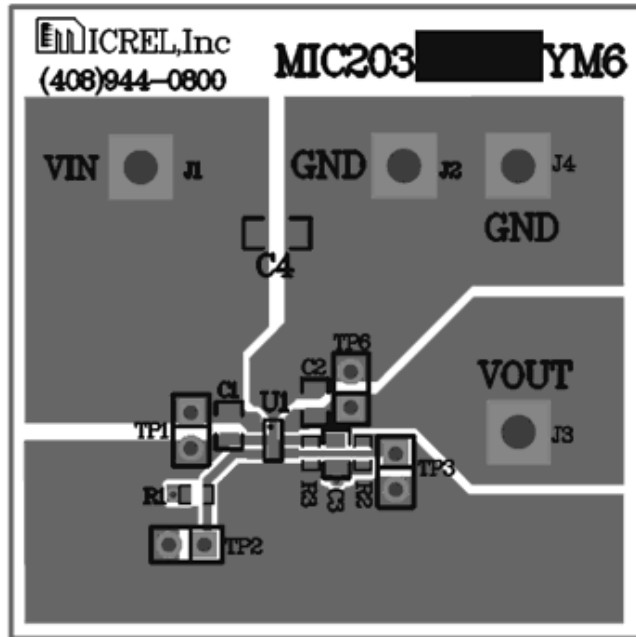


MIC2039xYMT Evaluation Board – Top Layer

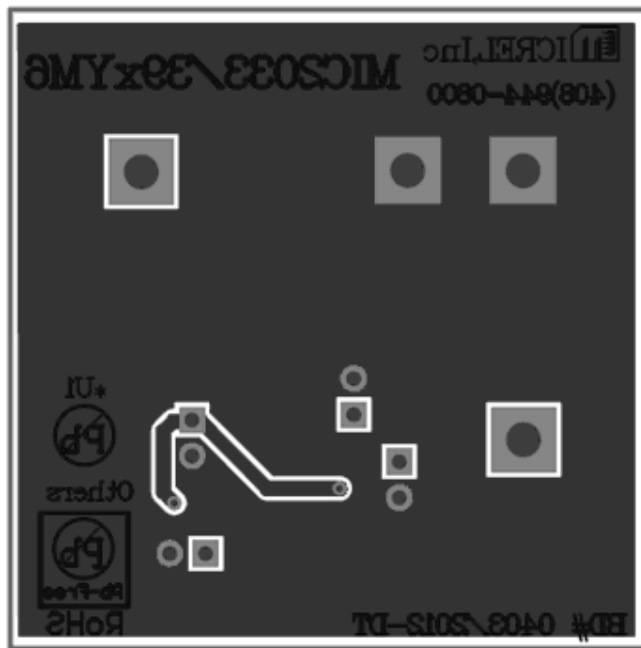


MIC2039xYMT Evaluation Board – Bottom Layer

PCB Layout (MIC2039xYM6 Evaluation Board)

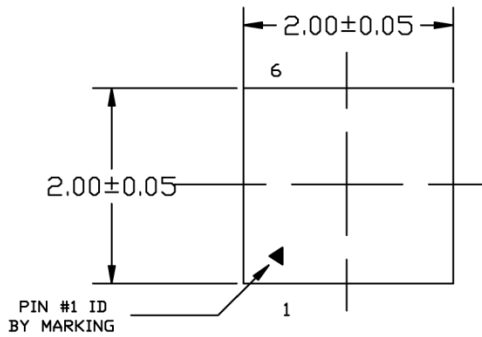


MIC2039xYM6 Evaluation Board – Top Layer

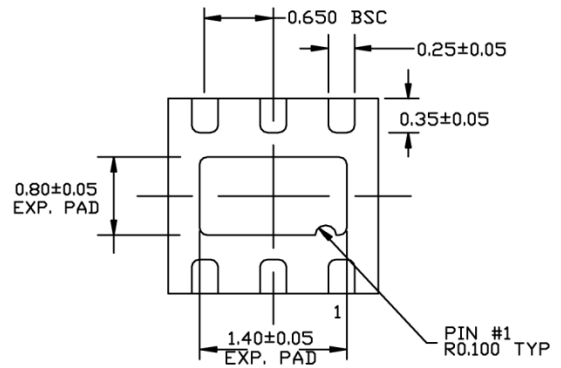


MIC2039xYM6 Evaluation Board – Bottom Layer

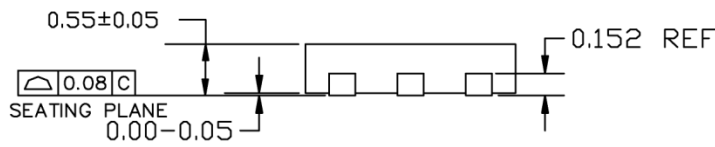
Package Information and Recommended Landing Pattern⁽¹³⁾



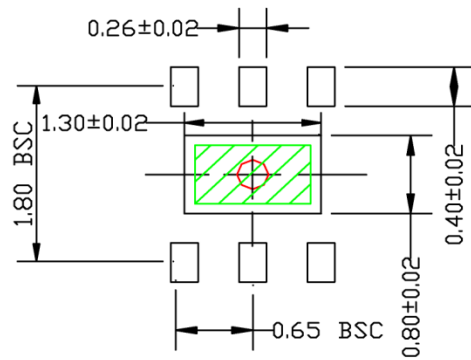
TOP VIEW
NOTE: 1, 2, 3



BOTTOM VIEW
NOTE: 1, 2, 3



END VIEW
NOTE: 1, 2, 3



RECOMMENDED LAND PATTERN
NOTE: 4, 5

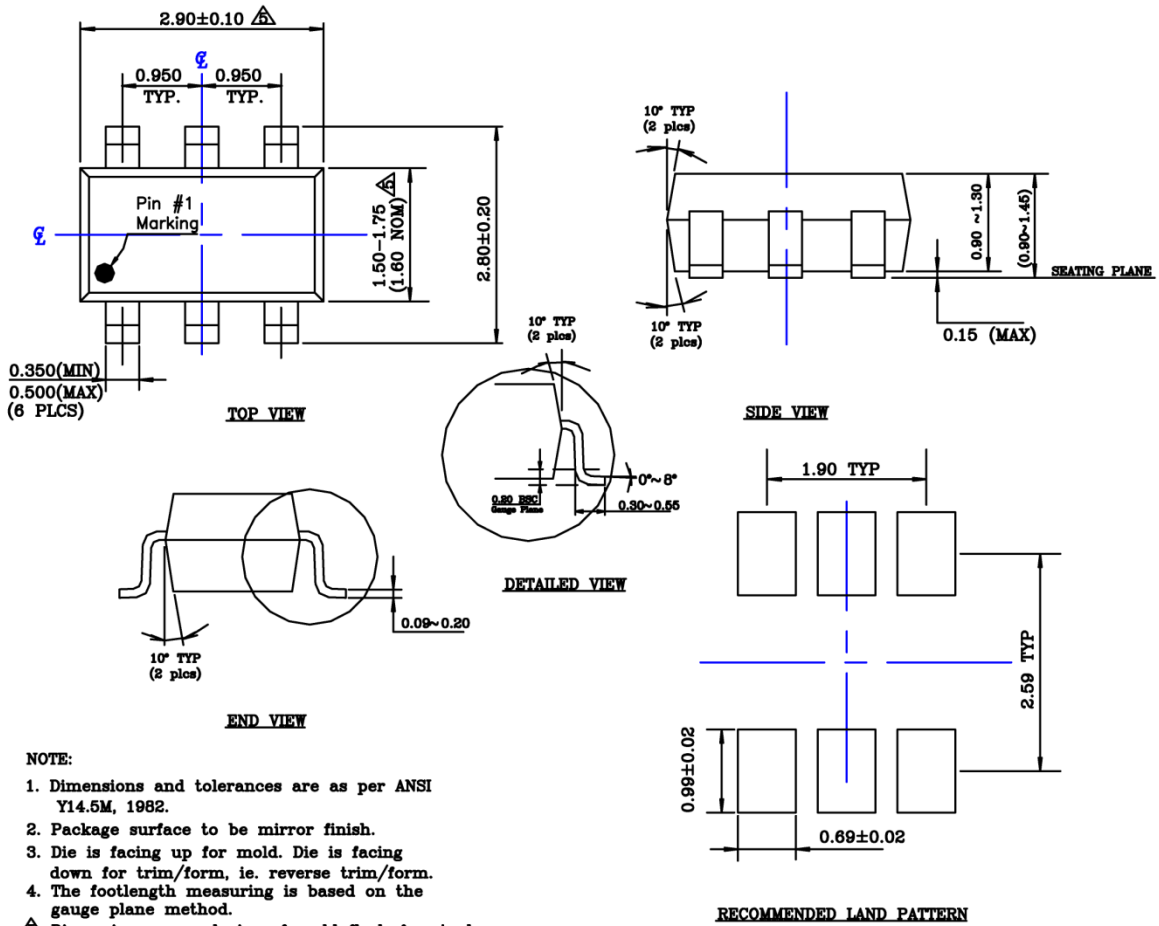
- NOTE:
1. MAX PACKAGE WARPAGE IS 0.08 MM
 2. MAX ALLOWABLE BURR IS 0.076MM IN ALL DIRECTIONS
 3. PIN #1 IS ON TOP WILL BE LASER MARKED
 4. RED CIRCLE IN LAND PATTERN REPRESENTS THERMAL VIA. SIZE SHOULD BE 0.30-0.3 MM IN DIAMETER AND SHOULD BE CONNECTED TO GND FOR MAX THERMAL PERFORMANCE
 5. GREEN RECTANGLES (SHADED AREA) REPRESENTS SOLDER STENCIL OPENING ON EXPOSED PAD AREA. SIZE SHOULD BE 1.10x0.60 MM.

6-Pin 2mm x 2mm Thin DFN (MT)

Note:

13. Package information is correct as of the publication date. For updates and most current information, go to www.micrel.com.

Package Information and Recommended Landing Pattern⁽¹³⁾ (Continued)



SOT23-6L (M6)

MICREL, INC. 2180 FORTUNE DRIVE SAN JOSE, CA 95131 USA
TEL +1 (408) 944-0800 FAX +1 (408) 474-1000 WEB <http://www.micrel.com>

Micrel, Inc. is a leading global manufacturer of IC solutions for the worldwide high performance linear and power, LAN, and timing & communications markets. The Company's products include advanced mixed-signal, analog & power semiconductors; high-performance communication, clock management, MEMs-based clock oscillators & crystal-less clock generators, Ethernet switches, and physical layer transceiver ICs. Company customers include leading manufacturers of enterprise, consumer, industrial, mobile, telecommunications, automotive, and computer products. Corporation headquarters and state-of-the-art wafer fabrication facilities are located in San Jose, CA, with regional sales and support offices and advanced technology design centers situated throughout the Americas, Europe, and Asia. Additionally, the Company maintains an extensive network of distributors and reps worldwide.

Micrel makes no representations or warranties with respect to the accuracy or completeness of the information furnished in this datasheet. This information is not intended as a warranty and Micrel does not assume responsibility for its use. Micrel reserves the right to change circuitry, specifications and descriptions at any time without notice. No license, whether express, implied, arising by estoppel or otherwise, to any intellectual property rights is granted by this document. Except as provided in Micrel's terms and conditions of sale for such products, Micrel assumes no liability whatsoever, and Micrel disclaims any express or implied warranty relating to the sale and/or use of Micrel products including liability or warranties relating to fitness for a particular purpose, merchantability, or infringement of any patent, copyright, or other intellectual property right.

Micrel Products are not designed or authorized for use as components in life support appliances, devices or systems where malfunction of a product can reasonably be expected to result in personal injury. Life support devices or systems are devices or systems that (a) are intended for surgical implant into the body or (b) support or sustain life, and whose failure to perform can be reasonably expected to result in a significant injury to the user. A Purchaser's use or sale of Micrel Products for use in life support appliances, devices or systems is a Purchaser's own risk and Purchaser agrees to fully indemnify Micrel for any damages resulting from such use or sale.

© 2014 Micrel, Incorporated.

Mouser Electronics

Authorized Distributor

Click to View Pricing, Inventory, Delivery & Lifecycle Information:

[Microchip:](#)

[MIC2039EYM6-TR](#) [MIC2039FYM6-TR](#) [MIC2039AYM6-T5](#) [MIC2039AYM6-TR](#) [MIC2039AYMT-TR](#) [MIC2039BYM6-TR](#)



Стандарт Электрон Связь

Мы молодая и активно развивающаяся компания в области поставок электронных компонентов. Мы поставляем электронные компоненты отечественного и импортного производства напрямую от производителей и с крупнейших складов мира.

Благодаря сотрудничеству с мировыми поставщиками мы осуществляем комплексные и плановые поставки широчайшего спектра электронных компонентов.

Собственная эффективная логистика и склад в обеспечивает надежную поставку продукции в точно указанные сроки по всей России.

Мы осуществляем техническую поддержку нашим клиентам и предпродажную проверку качества продукции. На все поставляемые продукты мы предоставляем гарантию .

Осуществляем поставки продукции под контролем ВП МО РФ на предприятия военно-промышленного комплекса России , а также работаем в рамках 275 ФЗ с открытием отдельных счетов в уполномоченном банке. Система менеджмента качества компании соответствует требованиям ГОСТ ISO 9001.

Минимальные сроки поставки, гибкие цены, неограниченный ассортимент и индивидуальный подход к клиентам являются основой для выстраивания долгосрочного и эффективного сотрудничества с предприятиями радиоэлектронной промышленности, предприятиями ВПК и научно-исследовательскими институтами России.

С нами вы становитесь еще успешнее!

Наши контакты:

Телефон: +7 812 627 14 35

Электронная почта: sales@st-electron.ru

Адрес: 198099, Санкт-Петербург,
Промышленная ул, дом № 19, литера Н,
помещение 100-Н Офис 331