

PAC5523 Data Sheet

Power Application Controller[®]

Multi-Mode Power Manager[™]

Configurable Analog Front End[™]

Application Specific Power Drivers[™]

Arm[®] Cortex[®]-M4F Controller Core



TABLE OF CONTENTS

1	GENERAL DESCRIPTION	9
2	PAC FAMILY APPLICATIONS.....	10
3	PRODUCT SELECTION SUMMARY	11
4	ORDERING INFORMATION.....	12
5	FEATURES.....	13
5.1	Feature Overview.....	13
6	ABSOLUTE MAXIMUM RATINGS	15
7	ARCHITECTURAL BLOCK DIAGRAM	16
8	PIN CONFIGURATION	17
8.1	PAC5523QM.....	17
9	PIN DESCRIPTION	18
10	MULTI-MODE POWER MANAGER (MMPM).....	23
10.1	Features	23
10.2	Functional Description	23
10.3	Multi-Mode Switching Supply (MMSS) Controller	24
10.4	Linear Regulators	26
10.5	Power-up Sequence	27
10.6	Hibernate Mode	27
10.7	Power and Temperature Monitor.....	28
10.8	Voltage Reference	28
10.9	Electrical Characteristics.....	29
10.10	Typical Performance Characteristics	32
11	CONFIGURABLE ANALOG FRONT END (CAFE)	33
11.1	Block Diagram	33
11.2	Functional Description	34
11.3	Differential Programmable Gain Amplifier (DA)	34
11.4	Single-Ended Programmable Gain Amplifier (AMP)	34

11.5	General Purpose Comparator (CMP)	34
11.6	Phase Comparator (PHC)	35
11.7	Protection Comparator (PCMP)	35
11.8	Analog Output Buffer (BUF)	35
11.9	Analog Front End I/O (AIO).....	35
11.10	Push Button (PBTN).....	36
11.11	HP DAC and LP DAC	36
11.12	ADC Pre-Multiplexer.....	36
11.13	Configurable Analog Signal Matrix (CASM)	36
11.14	Configurable Digital Signal Matrix (CDSM)	37
11.15	Electrical Characteristics	38
11.16	Typical Performance Characteristics	42
12	APPLICATION SPECIFIC POWER DRIVERS (ASPD)	43
12.1	Features	43
12.2	Block Diagram	43
12.3	Functional Description	43
12.4	Low-Side Gate Driver.....	44
12.5	High-Side Gate Driver	44
12.6	High-Side Switching Transients	45
12.7	Power Drivers Control.....	45
12.8	Gate Driver Fault Protection.....	46
12.9	Electrical Characteristics.....	46
12.10	Typical Performance Characteristics	48
13	SOC CONTROL SIGNALS.....	50
13.1	High-side and Low-Side Gate Drivers	50
13.2	SPI SOC Bus.....	52
13.3	ADC EMUX.....	53
13.4	Analog Interrupts	53
14	ADC/DTSE	54
14.1	ADC Block Diagram	54

14.2	Functional Description	54
14.2.1	ADC	54
14.2.2	Dynamic Triggering and Sample Engine	55
14.2.3	EMUX Control	55
14.3	Electrical Characteristics	56
15	MEMORY SYSTEM	57
15.1	Features	57
15.2	Memory System Block Diagram	57
15.3	Functional Description	58
15.4	Program FLASH	58
15.5	INFO FLASH	58
15.6	SRAM	58
15.7	Code Protection	59
15.8	Electrical Characteristics	60
16	SYSTEM AND CLOCK CONTROL	61
16.1	Features	61
16.2	Block Diagram	61
16.3	Clock Sources	62
16.3.1	Ring Oscillator	62
16.3.2	Reference Clock	62
16.3.3	External Clock Input	62
16.4	PLL	62
16.5	Clock Tree	62
16.5.1	FRCLK	63
16.5.2	SCLK	63
16.5.3	PCLK	63
16.5.4	ACLK	63
16.5.5	HCLK	63
16.6	Electrical Characteristics	64
17	ARM [®] CORTEX [®] -M4F MCU CORE	65

17.1	Features	65
17.2	Block Diagram	65
17.3	Functional Description	66
17.4	Application Typical Current Consumption	67
17.5	Electrical Characteristics.....	68
18	IO CONTROLLER	69
18.1	Features	69
18.2	Block Diagram	69
18.3	Functional Description	70
18.4	GPIO Current Injection.....	70
18.5	Peripheral MUX	71
18.6	Electrical Characteristics.....	72
19	SERIAL INTERFACE	73
19.1	Block Diagram	73
19.2	Functional Description	74
19.3	I ² C Controller	74
19.4	USART	74
19.4.1	USART SPI Mode.....	74
19.4.2	USART UART Mode.....	75
19.5	CAN.....	75
19.6	Dynamic Characteristics	76
20	PWM TIMERS	79
20.1	Block Diagram	79
20.2	Timer Features	80
20.2.1	CCR/PWM Timer	80
20.2.2	Dead-time Generators (DTG).....	80
20.2.3	QEP Decoder.....	81
21	GENERAL PURPOSE TIMERS	82
21.1	Block Diagram	82
21.2	Functional Description	83

21.2.1	SOC Bus Watchdog Timer.....	83
21.2.2	Wake-up Timer	83
21.2.3	Real-time Clock with Calendar (RTC)	83
21.2.4	Windowed Watchdog Timer (WWDT)	83
21.2.5	GP Timer (GPT).....	83
22	CRC	84
22.1	Block Diagram	84
22.2	Functional Description	84
23	THERMAL CHARACTERISTICS.....	85
24	APPLICATION EXAMPLES.....	86
25	PACKAGE OUTLINE AND DIMENSIONS.....	87
26	LEGAL INFORMATION.....	88

LIST OF FIGURES

Figure 1-1. PAC5523 Power Application Controller	9
Figure 2-1 Simplified Application Diagram.....	10
Figure 7-1 Architectural Block Diagram	16
Figure 8-1 PAC5523QM Pin Configuration (TQFN66-48 Package)	17
Figure 9-1 Power Supply Bypass Capacitor Routing	22
Figure 10-1 MMPM Block Diagram	23
Figure 10-2 Buck Mode.....	24
Figure 10-3 SEPIC Mode	25
Figure 10-4 Direct Battery Supply	25
Figure 10-5 Linear Regulators.....	26
Figure 10-6 Power-Up Sequence	27
Figure 11-1 Configurable Analog Front End	33
Figure 11-2 PGA Typical Performance Characteristics	42
Figure 12-1 Application Specific Power Drivers.....	43
Figure 12-2 Typical Gate Driver Connections.....	44
Figure 12-3 High-Side Switching Transients and Optional Circuitry.....	45
Figure 12-4 ASPD Gate Driver Typical Performance Characteristics	48
Figure 12-5 ASPD Gate Driver Typical Performance Characteristics (cont)	49
Figure 13-1 SOC Signals for Gate Drivers	50
Figure 14-1 ADC with DTSE	54
Figure 15-1 Memory System	57
Figure 16-1 Clock Control System.....	61
Figure 17-1 Arm [®] Cortex [®] -M4F Microcontroller Core	65
Figure 18-1 IO Controller Block Diagram.....	69
Figure 19-1 Serial Interface Block Diagram.....	73
Figure 19-2 I ² C Timing Diagram.....	77
Figure 20-1 PWM Timers Block Diagram	79
Figure 21-1 SOC Bus Watchdog and Wake-up Timer	82
Figure 21-2 General Purpose Timers	82
Figure 22-1 CRC Block Diagram	84
Figure 24-1 Sensorless FOC/BEMF Motor Drive Using PAC5523 (Simplified Diagram).....	86
Figure 25-1 TQFN66-48 Package Outline and Dimensions.....	87

LIST OF TABLES

Table 3-1 Product Selection Summary	11
Table 4-1 Ordering Information	12
Table 6-1 Absolute Maximum Ratings.....	15
Table 9-1 Multi-Mode Power Manager (MMPM) and System Pin Description	18
Table 9-2 Configurable Analog Front End (CAFE) Pin Description.....	19
Table 9-3 Application Specific Power Drivers (ASPD) Pin Description	20
Table 9-4 I/O Ports Pin Description	21
Table 10-1 Multi-Mode Switching Supply Controller Electrical Characteristics	29
Table 10-2 Linear Regulators Electrical Characteristics	30
Table 10-3. Power System Electrical Characteristics	31
Table 11-1 Differential Programmable Gain Amplifier (DA) Electrical Characteristics.....	38
Table 11-2 Single-Ended Programmable Gain Amplifier (AMP) Electrical Characteristics.....	39
Table 11-3 General Purpose Comparator (CMP) Electrical Characteristics.....	39
Table 11-4 Phase Comparator (PHC) Electrical Characteristics.....	40
Table 11-5 Protection Comparator (PCMP) Electrical Characteristics	40
Table 11-6 Analog Output Buffer (BUF) Electrical Characteristics.....	40
Table 11-7 Analog Front End (AIO) Electrical Characteristics	41
Table 11-8 Push Button (PBTN) Electrical Characteristics	41
Table 11-9 HP DAC and LP DAC Electrical Characteristics	41
Table 12-1 Power Driver Resources by Part Numbers	44
Table 12-2 Power Driver Delay Configuration	45
Table 12-3 Gate Driver Electrical Characteristics	46
Table 13-1 PWM to ASPD Gate Driver Options (DTG Enabled).....	51
Table 13-2 PWM to ASPD Gate Driver Options (DTG Disabled).....	51
Table 13-3 SPI SOC Bus Connections.....	52
Table 13-4 SPI SOC Bus Connections.....	53
Table 13-5 Analog Interrupts.....	53
Table 14-1 ADC and DTSE Electrical Characteristics	56
Table 15-1 Code Protection Level Description	59
Table 15-2 Memory System Electrical Characteristics.....	60
Table 16-1 CCS Electrical Characteristics.....	64
Table 17-1 PAC55XX Application Typical Current Consumption.....	67
Table 17-2 MCU and Clock Control System Electrical Characteristics	68
Table 18-1 PAC5523 Peripheral Pin MUX.....	71
Table 18-2 IO Controller Electrical Characteristics	72
Table 19-1 Serial Interface Dynamic Characteristics	76
Table 19-2 I ² C Dynamic Characteristics.....	76
Table 23-1 Thermal Characteristics	85

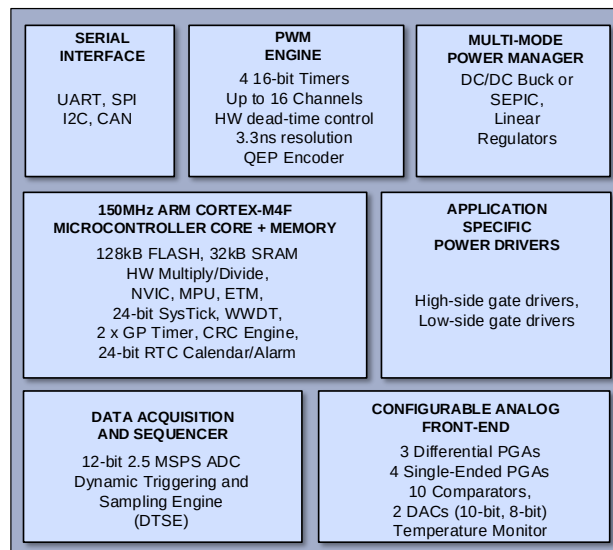
1 GENERAL DESCRIPTION

The PAC5523 is a Power Application Controller[®] (PAC) product that is optimized for high-speed BLDC motor control. The PAC5523 integrates a 150MHz Arm[®] Cortex[®]-M4F 32-bit microcontroller core with Active-Semi’s proprietary and patent-pending Multi-Mode Power Manager[™], Configurable Analog Front-End[™] and Application Specific Power Drivers[™] to form the most compact microcontroller-based power and motor control solution available.

The PAC5523 microcontroller features 128kB of embedded FLASH and 32kB of SRAM memory, a 2.5MSPS analog-to-digital converter (ADC) with programmable auto-sampling of up to 24 conversion sequences, 3.3V IO, flexible clock control system, PWM and general-purpose timers and several serial communications interfaces.

The Multi-Mode Power Manager (MMPM) provides “all-in-one” efficient power management solution for multiple types of power sources. It features a configurable multi-mode switching supply controller capable of operating a buck or SEPIC converter and up to four linear regulated voltage supplies. The Application Specific Power Drivers (ASPD) are power drivers designed for half bridge, H-bridge, 3-phase, intelligent power module (IPM), and general-purpose driving. The Configurable Analog Front End (CAFE) comprises differential programmable gain amplifiers, single-ended programmable gain amplifiers, comparators, digital-to-analog converters, and I/Os for programmable and inter-connectible signal sampling, feedback amplification, and sensor monitoring of multiple analog input signals.

Figure 1-1. PAC5523 Power Application Controller

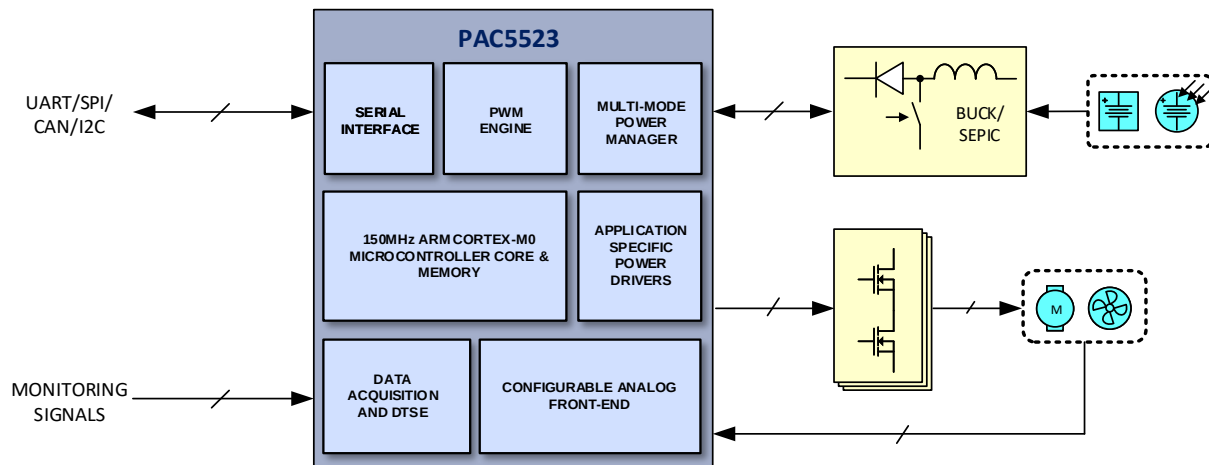


The PAC5523 is available in a 48-pin, 6x6mm TQFN package.

2 PAC FAMILY APPLICATIONS

- General-purpose high-voltage system controllers
- Home appliances
- Ceiling Fans
- Standing Fans
- Compressors
- Power Tools
- Garden Tools
- Motor Controllers
- Industrial Applications
- Drone/RC

Figure 2-1 Simplified Application Diagram



3 PRODUCT SELECTION SUMMARY

Table 3-1 Product Selection Summary

PART NUMBER	PIN PKG	POWER MANAGER		CONFIGURABLE ANALOG FRONT END					APPLICATION SPECIFIC POWER DRIVERS			MICROCONTROLLER					PRIMARY APPLICATION	
		INPUT VOLTAGE	MULTI-MODE SW	DIFF-PGA	PGA	COMPARATOR	DAC	ADC CHANNEL	VSRC	POWER DRIVER	PWM CHANNEL	SPEED (MHz)	FLASH (kB)	SRAM (kB)	GPIO	COMM		XTAL
PAC5523	48-pin 6x6 TQFN	5.2 – 70V	Y	3	4	10	2	15	70V	3 LS (1.5A/1.5A) 3 HS (1.5A/1.5A)	6@VP 15@VCCIO	150	128	32	10@VSYS 3 @ VP 15@VCCIO	UART SPI I2C CAN SWD JTAG ETM	N	3 half-bridge 3 phase control BEMF Trapezoidal or FOC

Notes: DIFF-PGA = differential programmable gain amplifier; HS = high-side, LS = low-side, PGA = programmable gain amplifier, VSRC = Bootstrap Voltage Source

4 ORDERING INFORMATION

Table 4-1 Ordering Information

PART NUMBER ¹	TEMPERATURE RANGE	PACKAGE	PINS	PACKING
PAC5523QM	-40°C to 125°C	TQFN66-48	48 + Exposed Pad	Tray

¹ See *Product Selection Summary* for product features for each part number

5 FEATURES

5.1 Feature Overview

- **Proprietary Multi-Mode Power Manager**
 - Multi-mode switching supply controller configurable for DC/DC Buck or SEPIC topologies
 - Direct battery supply from 5V – 20V
 - 4 Linear regulators with power and hibernate management
 - Power and temperature monitor, warning, fault detection
- **Proprietary Configurable Analog Front-End**
 - 10 Analog Front-End IO pins
 - 3 Differential Programmable Gain Amplifiers
 - 4 Single-ended Programmable Gain Amplifiers
 - Programmable Over-Current Protection
 - 10 Comparators
 - 2 DACs (10-bit and 8-bit)
 - Integrated BEMF comparator mode with virtual center-tap
- **Proprietary Application Specific Power Drivers**
 - 3 Low-side and 3 High-Side gate drivers with 1.5A gate driving capacity
 - Configurable propagation delay and fault protection
- **150MHz Arm[®] Cortex[®]-M4F 32-bit Microcontroller Core**
 - Single-cycle 32-bit x 32-bit hardware multiplier
 - 32-bit hardware divider
 - DSP Instructions and Saturation Arithmetic Support
 - Integrated sleep and deep sleep modes
 - Single-precision Floating Point Unit (FPU)
 - 8-region Memory Protection Unit (MPU)
 - Nested Vectored Interrupt Controller (NVIC) with 32 Interrupts with 8 levels of priority
 - 24-Bit SysTick Timer
 - Wake-up Interrupt Controller (WIC) allowing power-saving sleep modes
 - Clock-gating allowing low-power operation
 - Embedded Trace Macrocell (ETM) for in-system debugging at real-time without breakpoints
- **Memory**
 - 128kB FLASH
 - 32kB SRAM with ECC
 - 2 x 1kB INFO FLASH area for manufacturing information
 - 1 x 1kB INFO FLASH area for user parameter storage and application configuration or code
 - Code Protection

- **Analog to Digital Converter (ADC)**
 - 12-bit resolution
 - 2.5MSPS
 - Programmable Dynamic Triggering and Sampling Engine (DTSE)
- **I/O**
 - 3.3V Digital Input/Output or Analog Input for ADC
 - Configurable weak pull-up and pull-down
 - Configurable drive strength (6mA to 25mA minimum)
 - Dedicated Integrated IO power supply (3.3V)
 - Flexible peripheral MUX allowing each IO pin to be configured with one of up to 8 peripheral functions
 - Flexible Interrupt Controller
- **Flexible Clock Control System (CCS)**
 - 300MHz PLL from internal 2% oscillator
 - 20MHz Ring Oscillator
 - 20MHz External Clock Input
- **Timing Generators**
 - Four 16-bit timers with up to 32 PWM/CC blocks
 - 16 Programmable Hardware Dead-time generators
 - Up to 300MHz input clock for high-resolution PWM
 - 16-bit Windowed Watchdog Timer (WWDT)
 - 24-bit Real-time Clock (RTC) with Calendar and Alarm Functions
 - 24-bit SysTick Timer
 - 2 x 24-bit General-purpose count-down timers with interrupt
 - Wake-up timer for sleep modes from 0.125s to 8s
- **Communication Peripherals**
 - 3 x USART
 - SPI or UART modes
 - SPI Master/Slave, up to 25MHz
 - UART, up to 1Mbps
 - I2C Master/Slave
 - CAN 2.0A/B Controller
 - Single Wire Debugger (SWD)/JTAG
 - Embedded Trace Macrocell (ETM)
- **4-Level User-Configurable Code Protection**
- **96-bit Unique ID**
- **CRC Engine**
 - Offloads software for communications and safety protocol through hardware acceleration
 - Configurable Polynomial (CRC-16 or CRC-8)
 - Configurable Input Data Width, Input and Output Reflection
 - Programmable Seed Value

6 ABSOLUTE MAXIMUM RATINGS

 Table 6-1 Absolute Maximum Ratings²

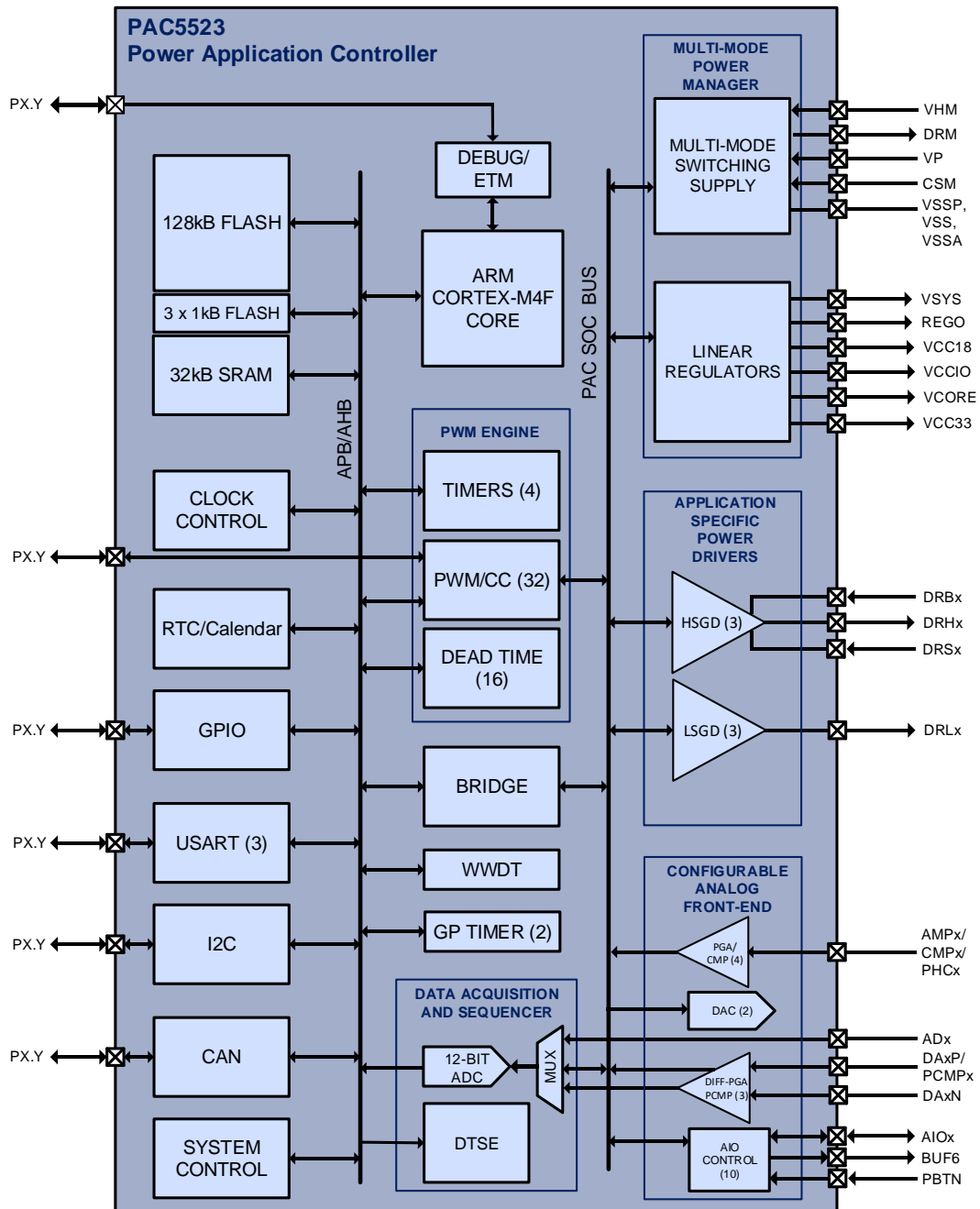
PARAMETER		VALUE	UNIT
VHM, DRM to VSSP		-0.3 to 72	V
VP to VSS		-0.3 to 20	V
CSM, REGO to VSS		-0.3 to $V_P + 0.3$	V
VSYs, VCCIO, AIO6 to VSS		-0.3 to 6	V
VCC33 to VSS		-0.3 to 4.1	V
VCORE to VSS		-0.3 to 1.44	V
VCC18 to VSS		-0.3 to 2.5	V
AIO[0..5, 7..9] to VSS		-0.3 to $V_{SYS} + 0.3$	V
PC[0..7], PE[0..7], PF[0..7] to VSS		-0.3 to 4.6	V
PC[0..7], PE[0..7], PF[0..7] pin injection current		25	mA
PC[0..7], PE[0..7], PF[0..7] sum of all pin injection current		50	mA
DRLx to VSSP		-0.3 to $VP + 0.3$	V
DRBx to VSSP		-0.3 to 84	V
DRSx to VSSP		-6 to 72	V
DRSx allowable offset slew rate (dVDRSx/dt)		5	V/ns
DRBx, DRHx to respective DRSx		-0.3 to 20	V
VSSP, VSSA to VSS		-0.3 to 0.3	V
VSS, VSYs, DRLx, DRHx, VSYSSW RMS current ³		0.2	A _{RMS}
VSSP RMS current ³		0.4	A _{RMS}
VP RMS current ³		0.6	A _{RMS}
Operating temperature range		-40 to 125	°C
Electrostatic Discharge (ESD)	Human body model (JEDEC)	2	kV
	Charge device model (JEDEC)	1	kV

² Do not exceed these limits to prevent damage to the device. Exposure to absolute maximum rating conditions for long periods may affect device reliability.

³ Peak current can be 10 times higher than RMS value for pulses shorter than 10 μ s

7 ARCHITECTURAL BLOCK DIAGRAM

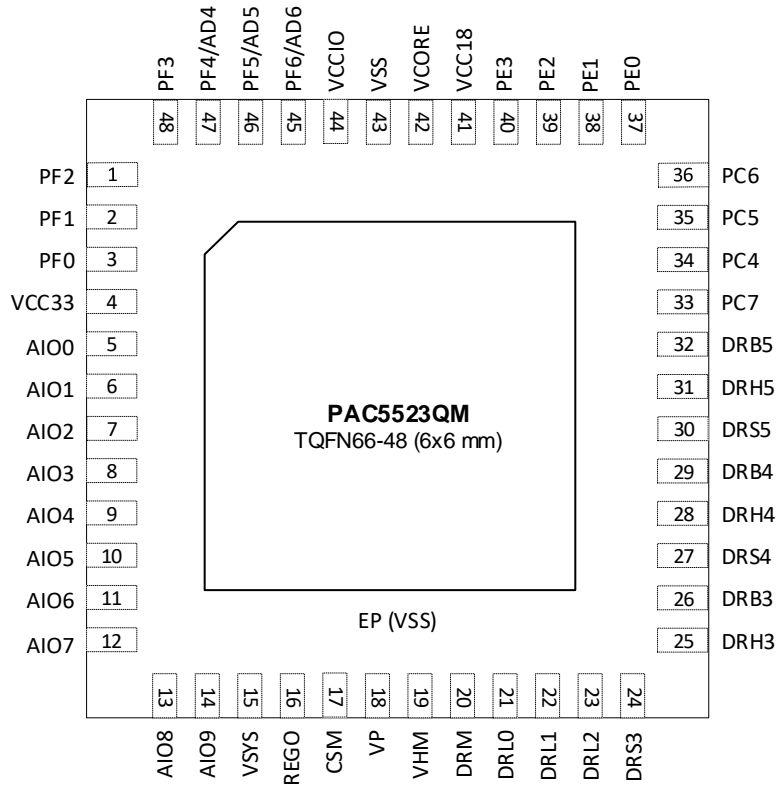
Figure 7-1 Architectural Block Diagram



8 PIN CONFIGURATION

8.1 PAC5523QM

Figure 8-1 PAC5523QM Pin Configuration (TQFN66-48 Package)



9 PIN DESCRIPTION

Table 9-1 Multi-Mode Power Manager (MPPM) and System Pin Description

PIN NAME	PIN NUMBER	TYPE	DESCRIPTION
VCC33	4	Power	Internally generated 3.3V power supply. Connect to a 2.2 μ F or higher value ceramic capacitor from V _{CC33} to V _{SSA} .
VSYS	15	Power	5V System power supply. Connect to a 6.8 μ F (20%) or higher ceramic capacitor from V _{SYS} to V _{SS} .
REGO	16	Power	System regulator output. Connect to V _{SYS} directly or through an external power-dissipating resistor.
CSM	17	Power	Switching supply current sense input. Connect to the positive side of the current sense resistor.
VP	18	Power	Main power supply. Provides power to the power drivers as well as voltage feedback path for the switching supply. Connect a properly sized supply bypass capacitor in parallel with a 0.1 μ F ceramic capacitor from V _P to V _{SS} for voltage loop stabilization. This pin requires good capacitive bypassing to V _{SS} , so the ceramic capacitor must be connected with a shorter than 10mm trace from the pin.
VHM	19	Power	Switching supply controller supply input. Connect a 1 μ F or higher value ceramic capacitor, or a 0.1 μ F ceramic capacitor in parallel with a 10 μ F or higher electrolytic capacitor from V _{HM} to V _{SSP} . This pin requires good capacitive bypassing to V _{SSP} , so the ceramic capacitor must be connected with a shorter than 10mm trace from the pin.
DRM	20	Power	Switching supply driver output. Connect to the base or gate of the external power NPN or n-channel MOSFET. See User Guide and application notes.
VCC18	41	Power	Internally generated 1.8V power supply. Connect a 2.2 μ F or higher value ceramic capacitor from V _{CC18} to V _{SSA} .
VCORE	42	Power	Internally generated 1.2V core power supply. Connect a 2.2 μ F or higher value ceramic capacitor from V _{CORE} to V _{SSA} .
VSS	43	Power	Ground.
VCCIO	44	Power	Internally generated digital I/O 3.3V power supply. Connect a 4.7 μ F or higher value ceramic capacitor from V _{CCIO} to V _{SSA} .
EP (VSS)	EP	Power	Exposed pad. Must be connected to V _{SS} in a star ground configuration. Connect to a large PCB copper area for power dissipation heat sinking.

Table 9-2 Configurable Analog Front End (CAFE) Pin Description

PIN NAME	PIN NUMBER	FUNCTION	TYPE	DESCRIPTION
AIO0	5	AIO0	I/O	Analog front end I/O 0.
		DA0N	Analog	Differential PGA 0 negative input.
AIO1	6	AIO1	I/O	Analog front end I/O 1.
		DA0P	Analog	Differential PGA 0 positive input.
AIO2	7	AIO2	I/O	Analog front end I/O 2.
		DA1N	Analog	Differential PGA 1 negative input.
AIO3	8	AIO3	I/O	Analog front end I/O 3.
		DA1P	Analog	Differential PGA 1 positive input.
AIO4	9	AIO4	I/O	Analog front end I/O 4.
		DA2N	Analog	Differential PGA 2 negative input.
AIO5	10	AIO5	I/O	Analog front end I/O 5.
		DA2P	Analog	Differential PGA 2 positive input.
AIO6	11	AIO6	I/O	Analog front end I/O 6.
		AMP6	Analog	PGA input 6.
		CMP6	Analog	Comparator input 6.
		BUF6	Analog	Buffer output 6.
		PBTN	Analog	Push button input.
AIO7	12	AIO7	I/O	Analog front end I/O 7.
		AMP7	Analog	PGA input 7.
		CMP7	Analog	Comparator input 7.
		PHC7	Analog	Phase comparator input 7.
AIO8	13	AIO8	I/O	Analog front end I/O 8.
		AMP8	Analog	PGA input 8.
		CMP8	Analog	Comparator input 8.
		PHC8	Analog	Phase comparator input 8.
AIO9	14	AIO9	I/O	Analog front end I/O 9.
		AMP9	Analog	PGA input 9.
		CMP9	Analog	Comparator input 9.
		PHC9	Analog	Phase comparator input 9.

Table 9-3 Application Specific Power Drivers (ASPD) Pin Description

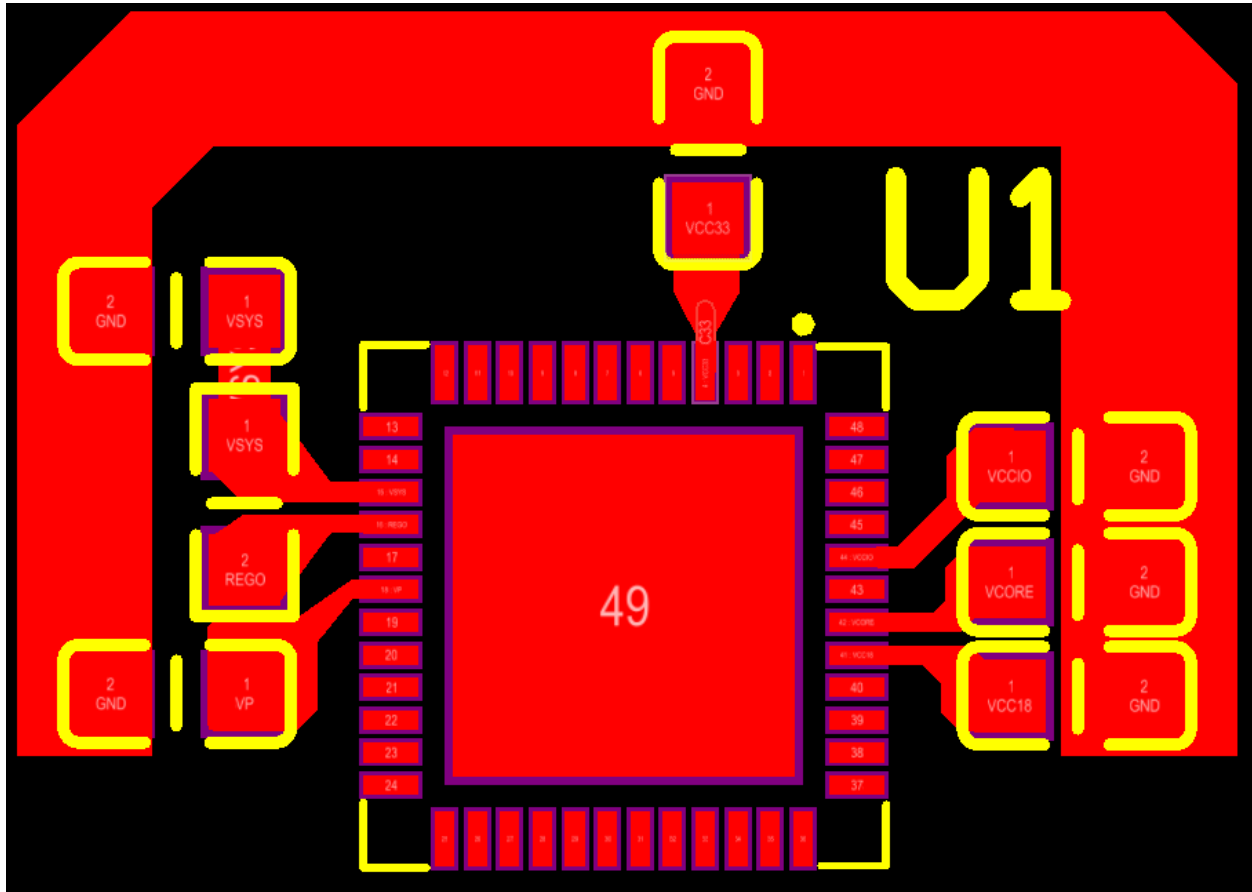
PIN NAME	PIN NUMBER	TYPE	DESCRIPTION
DRL0	21	Analog	Low-side gate driver 0.
DRL1	22	Analog	Low-side gate driver 1.
DRL2	23	Analog	Low-side gate driver 2.
DRS3	24	Analog	High-side gate driver source 3.
DRH3	25	Analog	High-side gate driver 3.
DRB3	26	Analog	High-side gate driver bootstrap 3.
DRS4	27	Analog	High-side gate driver source 4.
DRH4	28	Analog	High-side gate driver 4.
DRB4	29	Analog	High-side gate driver bootstrap 4.
DRS5	30	Analog	High-side gate driver source 5.
DRH5	31	Analog	High-side gate driver 5.
DRB5	32	Analog	High-side gate driver bootstrap 5.

Table 9-4 I/O Ports Pin Description

PIN NAME	PIN NUMBER	FUNCTION	TYPE	DESCRIPTION ⁴
PF2	1	PF2	I/O	I/O port PF2.
PF1	2	PF1	I/O	I/O port PF1.
PF0	3	PF0	I/O	I/O port PF0.
PC7	33	PC7	I/O	I/O port PC7.
PC4	34	PC4	I/O	I/O port PC4.
PC5	35	PC5	I/O	IO port PC5.
PC6	36	PC6	I/O	I/O port PC6.
PE0	37	PE0	I/O	I/O port PE0.
PE1	38	PE1	I/O	I/O port PE1.
PE2	39	PE2	I/O	I/O port PE2.
PE3	40	PE3	I/O	I/O port PE3.
PF6	45	PF6	I/O	I/O port PF6.
		AD6	Analog Input	ADC channel ADC6.
PF5	46	PF5	I/O	I/O port PF5.
		AD5	Analog Input	ADC channel ADC5.
PF4	47	PF4	I/O	I/O port PF4.
		AD4	Analog Input	ADC channel ADC4.
PF3	48	PF3	I/O	I/O port PF3.

⁴ For a full description of all of the pin configurations for each digital I/O, see the PAC55XX Family User Guide for the Peripheral MUX.

Figure 9-1 Power Supply Bypass Capacitor Routing

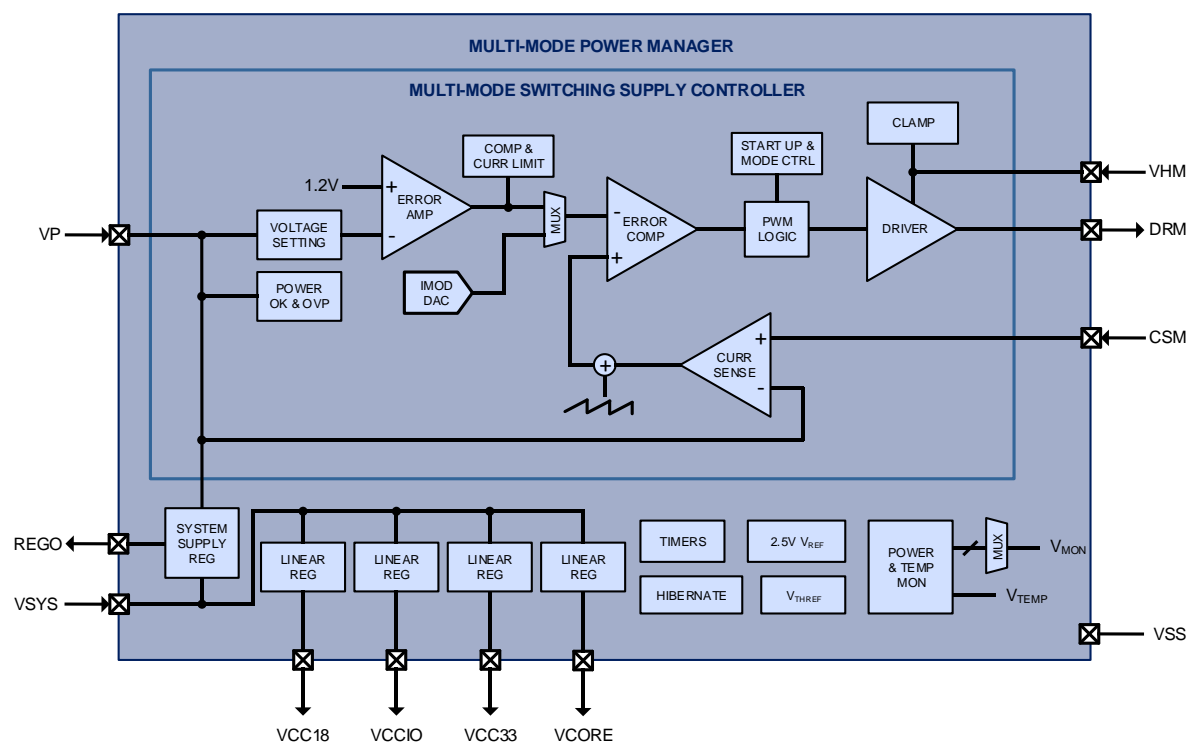


10 MULTI-MODE POWER MANAGER (MMPM)

10.1 Features

- Multi-mode switching supply controller configurable as buck or SEPIC
- DC supply up to 70V input
- Direct DC input of up to 20V with no DC/DC
- 5 linear regulators with power and hibernate management, including V_{REF} for ADC
- Power and temperature monitor, warning, and fault detection

Figure 10-1 MMPM Block Diagram



10.2 Functional Description

The Multi-Mode Power Manager (Figure 10-1) is optimized to efficiently provide “all-in-one” power management required by the PAC and associated application circuitry. It incorporates a dedicated multi-mode switching supply (MMSS) controller operable as a Buck or SEPIC converter to efficiently convert power from a DC input source to generate a main supply output V_P . Five linear regulators provide V_{CC18} , V_{SYS} , V_{CCIO} , V_{CC33} , and V_{CORE} supplies for MCU FLASH, 5V system, 3.3V I/O, 3.3V mixed signal, and 1.2V microcontroller core circuitry. The power manager also handles system functions including internal reference generation, timers, hibernate mode management, and power and temperature monitoring.

10.3 Multi-Mode Switching Supply (MMSS) Controller

The MMSS controller drives an external power transistor for pulse-width modulation switching of an inductor or transformer for power conversion. The DRM output drives the gate of the N-CH MOSFET or the base of the NPN between the V_{HM} on state and V_{SSP} off state at proper duty cycle and switching frequency to ensure that the main supply voltage V_P is regulated. The V_P regulation voltage is initially set to 15V during start up, and can be reconfigured to be 9V or 12V by the microcontroller after initialization. When V_P is lower than the target regulation voltage, the internal feedback control circuitry causes the inductor current to increase to raise V_P . Conversely, when V_P is higher than the regulation voltage, the feedback loop control causes the inductor current to decrease to lower V_P . The feedback loop is internally stabilized. The output current capability of the switching supply is determined by the external current sense resistor. In the high-side current sense buck or SEPIC mode, the inductor current signal is sensed differentially between the CSM pin and V_P , and has a peak current limit threshold of 0.26V.

The MMSS controller is flexible and configurable as a buck or SEPIC converter. Input sources include battery supply for buck mode (Figure 10-2) or SEPIC mode (Figure 10-3). The MMSS controller operational mode is determined by external configuration and register settings from the microcontroller after power up. It can operate in either high-side or low-side current sense mode, and does not require external feedback loop compensation circuitry.

Figure 10-2 Buck Mode

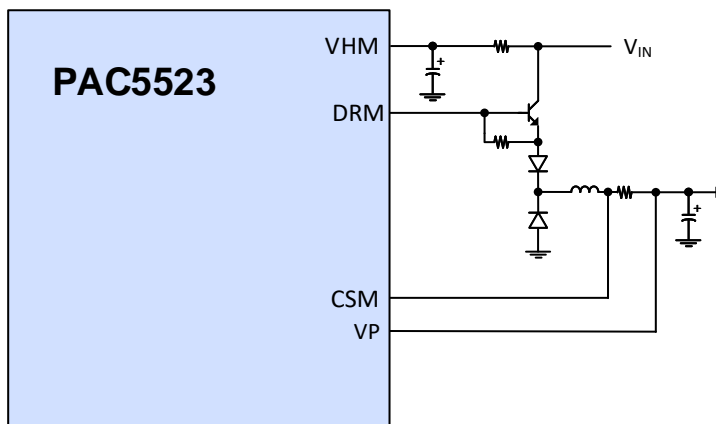
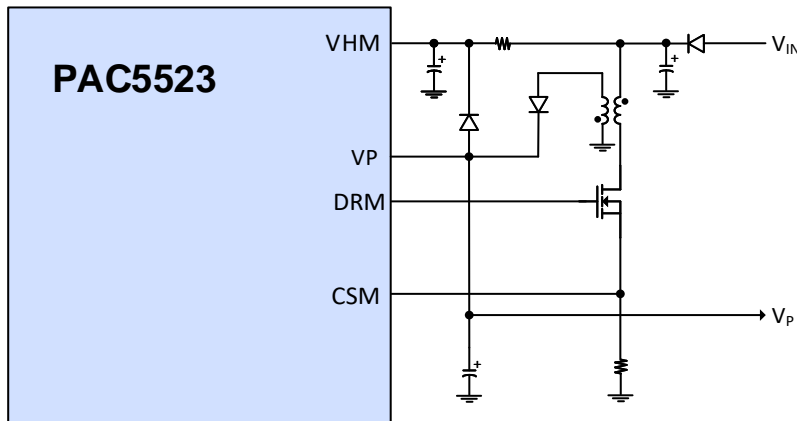


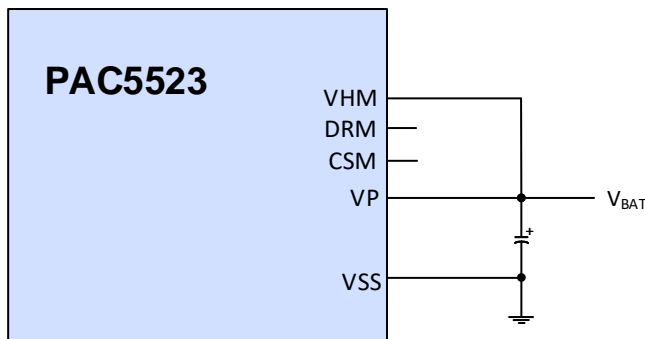
Figure 10-3 SEPIC Mode



The MMSS detects and selects between high-side and low-side mode during start up based on the placement of the current sense resistor and the CSM pin voltage. It employs a safe start up mode with a 9.5kHz switching frequency until V_P exceeds 4.3V under-voltage-lockout threshold, then transitions to the 45kHz default switching frequency for at least 6ms to bring V_P close to the target voltage, before enabling the linear regulators. Any extra load should only be applied after the supplies are available and the microprocessor has initialized. The switching frequency can be reconfigured by the microprocessor to be 181kHz to 500kHz in the high switching frequency mode for battery-based applications, and to be 45kHz to 125kHz in the low switching frequency mode. Upon initialization, the microcontroller must reconfigure the MMSS to the desired settings for V_P regulation voltage, switching mode, switching frequency, and V_{HM} clamp. Refer to the PAC application notes and user guide for MMSS controller design and programming.

If a stable external 5V to 20V power source is available, it can power the V_P main supply and all the linear regulators directly without requiring the MMSS controller to operate. In such applications, V_{HM} can be connected directly to V_P and the microcontroller should disable the MMSS upon initialization to reduce power loss.

Figure 10-4 Direct Battery Supply

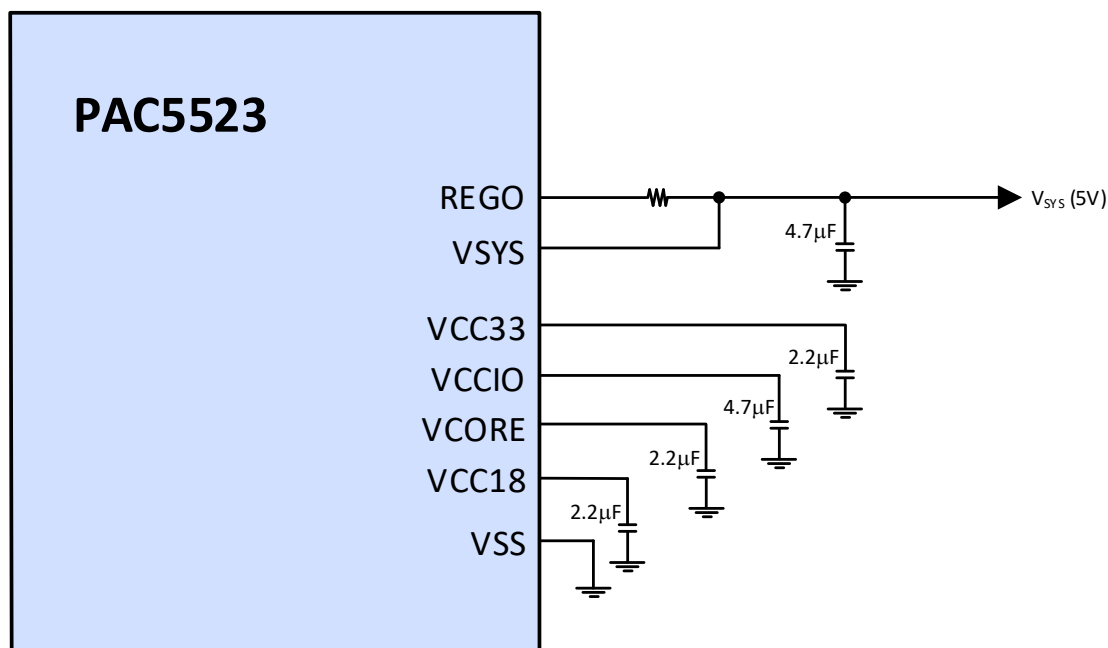


10.4 Linear Regulators

The MMPM includes four linear regulators. The system supply regulator (VSYS) is a medium voltage regulator that takes the V_P supply and sources up to 200mA at REGO until V_{sys}, externally coupled to REGO, reaches 5V. This allows a properly rated external resistor to be connected from REGO to V_{sys} to close the loop and offload power dissipation between V_P and V_{sys}.

Once VSYS is above 4V, the four additional linear regulators for VCC18, VCCIO, VCC33, and VCORE supplies sequentially power up. Figure 10-5 shows typical circuit connections for the linear regulators. The VCC18 regulator generates a dedicated 1.8V supply for FLASH on the MCU. The VCCIO regulator generates a dedicated 3.3V supply for IO. The VCC33 and VCORE regulators generate 3.3V and 1.2V, respectively. When VSYS, VCCIO, VCC33, and VCORE are all above their respective power good thresholds, and the configurable power on reset duration has expired, the microcontroller is initialized.

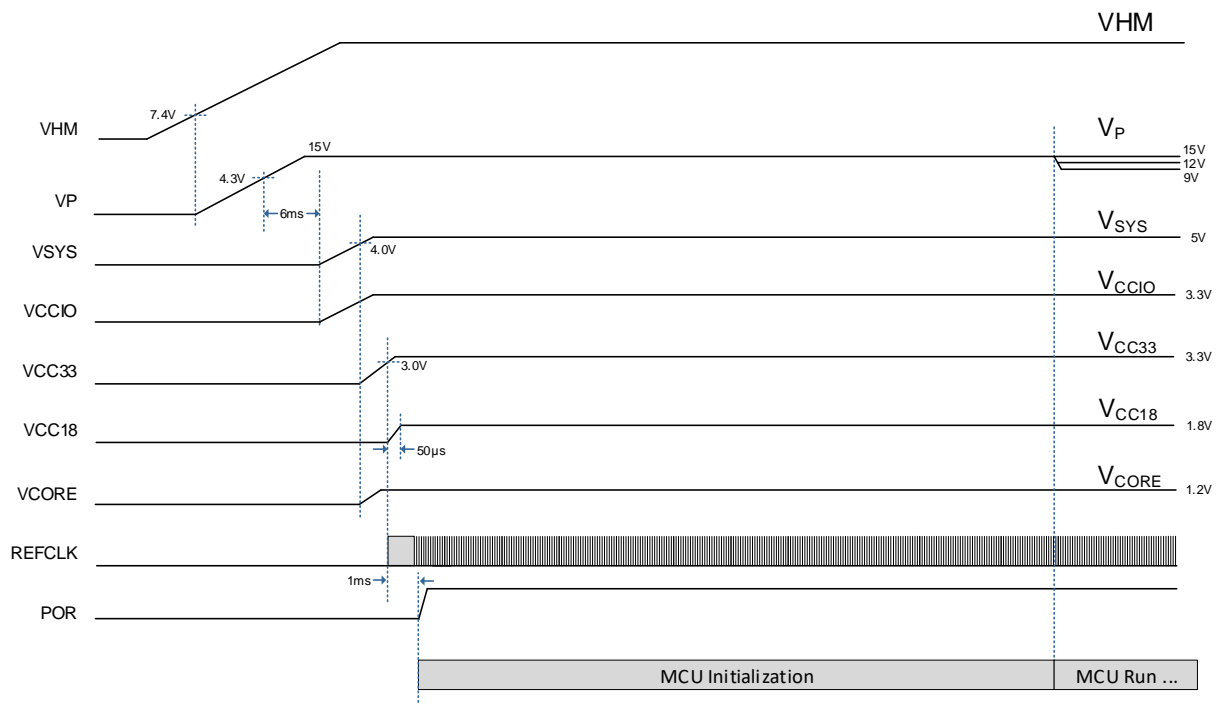
Figure 10-5 Linear Regulators



10.5 Power-up Sequence

The MMPM follows a typical power up sequence as in the Figure 10-6 below. A typical sequence begins with input power supply being applied, followed by the safe start up and start up durations to bring the switching supply output V_P to 15V, before the linear regulators are enabled. When all the supplies are ready, the internal clocks become available, and the microcontroller starts executing from the program memory. During initialization, the microcontroller can reconfigure the switching supply to a different V_P regulation voltage such as 9V or 12V and to an appropriate switching frequency and switching mode. The total loading on the switching supply must be kept below 25% of the maximum output current until after the reconfiguration of the switching supply is complete.

Figure 10-6 Power-Up Sequence



10.6 Hibernate Mode

The IC can go into an ultra-low power hibernate mode via the microcontroller firmware or via the optional push button (PBTN, see *Push Button* description in *Configurable Analog Front End*). In hibernate mode, only a minimal amount (typically 18µA) of current is used by V_P , and the MMSS controller and all internal regulators are shut down to eliminate power drain from the output supplies. The system exits hibernate mode after a wake-up timer duration (configurable from 125ms to 8s or infinite) has expired or, if push button enabled, after an additional push button event has been detected. When exiting the hibernate mode, the power manager goes through

the start up cycle and the microcontroller is reinitialized. Only the persistent power manager status bits (resets and faults) are retained during hibernation.

10.7 Power and Temperature Monitor

Whenever any of the V_{SYS} , V_{CCIO} , V_{CC33} , or V_{CORE} power supplies falls below their respective power good threshold voltage, a fault event is detected and the microcontroller is reset. The microcontroller stays in the reset state until V_{SYS} , V_{CCIO} , V_{CC33} , and V_{CORE} supply rails are all good again and the reset time has expired. A microcontroller reset can also be initiated by a maskable temperature fault event that occurs when the IC temperature reaches 170°C. The fault status bits are persistent during reset, and can be read by the microcontroller upon re-initialization to determine the cause of previous reset.

A power monitoring signal V_{MON} is provided onto the ADC pre-multiplexer for monitoring various internal power supplies. V_{MON} can be set to be V_{CORE} , $0.4 \cdot V_{CC33}$, $0.4 \cdot V_{CCIO}$, $0.4 \cdot V_{SYS}$, $0.1 \cdot V_{REGO}$, $0.1 \cdot V_P$, or the internal compensation voltage V_{COMP} for switching supply power monitoring.

For power and temperature warning, an IC temperature warning event at 140°C are provided as a maskable interrupt to the microcontroller. This warning allows the microcontroller to safely power down the system.

In addition to the temperature warning interrupt and fault reset, a temperature monitor signal $V_{TEMP} = 1.5 + 5.04e-3 \cdot (T - 25^\circ\text{C})$ (V) is provided onto the ADC pre-multiplexer for IC temperature measurement.

10.8 Voltage Reference

The reference block includes a 2.5V high precision reference voltage that provides the 2.5V reference voltage for the ADC, the DACs, and the 4-level programmable threshold voltage V_{THREF} (0.1V, 0.2V, 0.5V, and 1.25V).

10.9 Electrical Characteristics

Table 10-1 Multi-Mode Switching Supply Controller Electrical Characteristics

 ($V_{HM} = 24V$, $V_P = 12V$ and $T_A = -40^{\circ}C$ to $125^{\circ}C$ unless otherwise specified)

SYMBOL	PARAMETER	CONDITIONS	MIN	TYP	MAX	UNIT
Input Supply (V_{HM})						
$I_{HIB;V_{HM}}$	V_{HM} hibernate mode supply current	V_{HM} , hibernate mode		18	36	μA
$I_{SU;V_{HM}}$	V_{HM} start-up supply current	$V_{HM} < V_{UVLOR;V_{HM}}$		75	120	μA
$I_{OP;V_{HM}}$	V_{HM} operating supply current	DRM floating		0.3	0.5	mA
$V_{OP;V_{HM}}$	V_{HM} operating voltage range		5		70	V
$V_{UVLOR;V_{HM}}$	V_{HM} under-voltage lockout rising		6.8	7.4	8	V
$V_{UVLOF;V_{HM}}$	V_{HM} under-voltage lockout falling		6	6.6	7	V
$V_{CLAMP;V_{HM}}$	V_{HM} clamp voltage	Clamp enabled, sink current = 100 μA	14.5	16.9	19.5	V
$I_{CLAMP;V_{HM}}$	V_{HM} clamp sink current limit	Clamp enabled		4		mA
Output Supply and Feedback (V_P)						
$V_{REG;V_P}$	V_P output regulation voltage	Programmable to 9V, 12V or 15V, Load = 0 to 500mA	-7	-1	5	%
$K_{POK;V_P}$	V_P power OK threshold	V_P rising, hysteresis = 10%	82	87	92	%
$K_{OVP;V_P}$	V_P over-voltage protection threshold	V_P rising, hysteresis = 15%, MMPM Controller enabled		136		%
Switching Control						
$f_{SWM;DRM}$	Switching frequency programmable range	High-frequency mode, 8 settings	181		500	kHz
		Low-frequency mode, 8 settings	45		125	kHz
$f_{SSU;DRM}$	Safe start-up switching frequency			9.5		kHz
$t_{ONMIN;DRM}$	Minimum on-time			440		ns
$t_{OFFMIN;DRM}$	Minimum off-time	Low duty-cycle and low-frequency mode		25		%
		Low duty-cycle and high-frequency mode		440		ns
		High duty-cycle mode		820		ns
Current Sense (CSM pin)						
$V_{DET;CSM}$	CSM mode detection threshold	Rising, hysteresis = 50mV	0.40	0.55	0.69	V
$V_{HSLIM;CSM}$	High-side current limit threshold	181kHz, duty = 25%, relative to V_P	0.17	0.26	0.35	V
$V_{LSLIM;CSM}$	Low-side current limit threshold	45kHz, duty = 25%	0.7	1	1.48	V
$t_{BLANK;CSM}$	Current sense blanking time			200		ns
$V_{PROT;CSM}$	Low-side abnormal current sense protection threshold	$V_P < 4.3V$		0.8		V
		$V_P > 4.3V$		1.9		
Gate Driver Output (DRM pin)						

$V_{OH,DRM}$	High-level output voltage	5% I_{OH} , relative to V_{HM}	$V_{HM} - 1$			V
$V_{OL,DRM}$	Low-level output voltage	5% I_{OL}			0.6	V
$I_{OH,DRM}$	High-level output source current	$V_{DRM} = V_{HM} - 5V$		-0.3		A
$I_{OL,DRM}$	Low-level output sink current	$V_{DRM} = 5V$		0.5		A
$t_{PD,DRM}$	Strong pull-down pulse width	High-side current sense mode		240		ns

Table 10-2 Linear Regulators Electrical Characteristics

 ($V_P = 12V$ and $T_A = -40^\circ C$ to $125^\circ C$ unless otherwise specified)

SYMBOL	PARAMETER	CONDITIONS	MIN	TYP	MAX	UNIT
$V_{OP,VP}$	V_P operating voltage range		4.5		20	V
$V_{UVLO,VP}$	V_P under-voltage lockout threshold	V_P rising, hysteresis = 0.2V	4	4.3	4.6	V
$I_{Q,VP}$	V_P quiescent supply current	Power manager only, including $I_{Q,VSYS}$		400	750	μA
$I_{Q,VSYS}$	V_{SYS} quiescent supply current	V_{CCIO} , V_{CC33} and V_{CORE} regulators only		350	600	μA
V_{SYS}	V_{SYS} output voltage	Load = 10 μA to 200mA	4.8	5	5.18	V
V_{CCIO}	V_{CCIO} output voltage	Load = 10mA	3.15	3.3	3.4	V
V_{CC33}	V_{CC33} output voltage	Load = 10mA	3.15	3.3	3.4	V
V_{CORE}	V_{CORE} output voltage	Load = 10mA	1.14	1.2	1.26	V
$I_{LIM,VSYS}$	V_{SYS} regulator current limit		220	330		mA
$I_{LIM,VCCIO}$	V_{CCIO} regulator current limit		45	80		mA
$I_{LIM,VCC33}$	V_{CC33} regulator current limit		45	80		mA
$I_{LIM,VCORE}$	V_{CORE} regulator current limit		45	80		mA
k_{SCFB}	Short-circuit current fold-back			50		%
$V_{DO,VSYS}$	V_{SYS} dropout voltage	$V_P = 5V$, $I_{SYS} = 100mA$		350	680	mV
$V_{UVLO,VSYS}$	V_{SYS} under-voltage lockout threshold	V_{SYS} rising, hysteresis = 0.2V	3.5	4	4.4	V
$k_{POK,VCCIO}$	V_{CCIO} power OK threshold	V_{CCIO} rising, hysteresis = 10%	79	85	91	%
$k_{POK,VCC33}$	V_{CC33} power OK threshold	V_{CC33} rising, hysteresis = 10%	79	85	91	%
$k_{POK,VCORE}$	V_{CORE} power OK threshold	V_{CORE} falling, hysteresis = 10%	79	85	91	%
$t_{POK,VCC18}$	V_{CC18} power OK time	$C_{VCC18} = 1\mu F$			50	μs

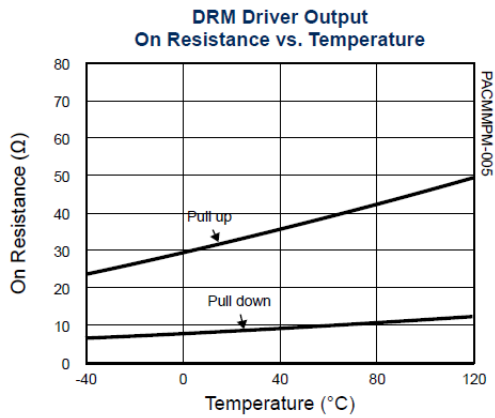
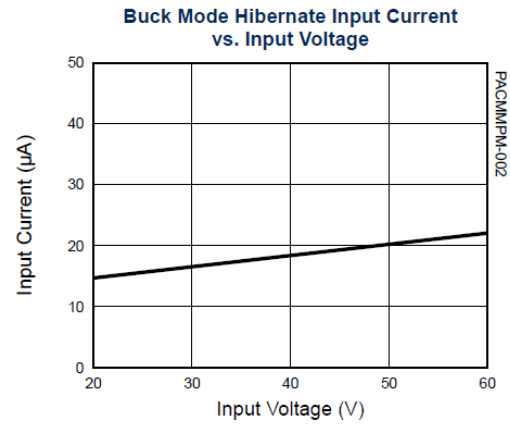
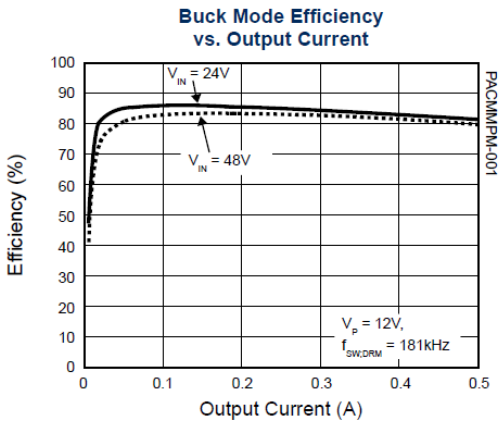
Table 10-3. Power System Electrical Characteristics

 (T_A = -40°C to 125°C unless otherwise specified)

SYMBOL	PARAMETER	CONDITIONS	MIN	TYP	MAX	UNIT
V _{REF}	Reference Voltage	T _A = 25°C	2.487	2.5	2.513	V
		T _A = -40°C to 125°C	2.463	2.5	2.537	V
k _{MON}	Power monitoring voltage (V _{MON}) coefficient	V _{CORE}		1		V/V
		V _{SYS} , V _{CCIO} , V _{CC33}		0.4		
		V _P , V _{REGO}		0.1		
V _{TEMP}	Temperature monitor voltage at 25°C	T _A = 25°C, at ADC	1.475	1.5	1.54	V
k _{TEMP}	Temperature monitor coefficient	At ADC		5.04		mV/K
T _{WARN}	Over-temperature warning threshold	Hysteresis = 10°C		140		°C
T _{FAULT}	Over-temperature fault threshold	Hysteresis = 10°C		170		°C

10.10 Typical Performance Characteristics

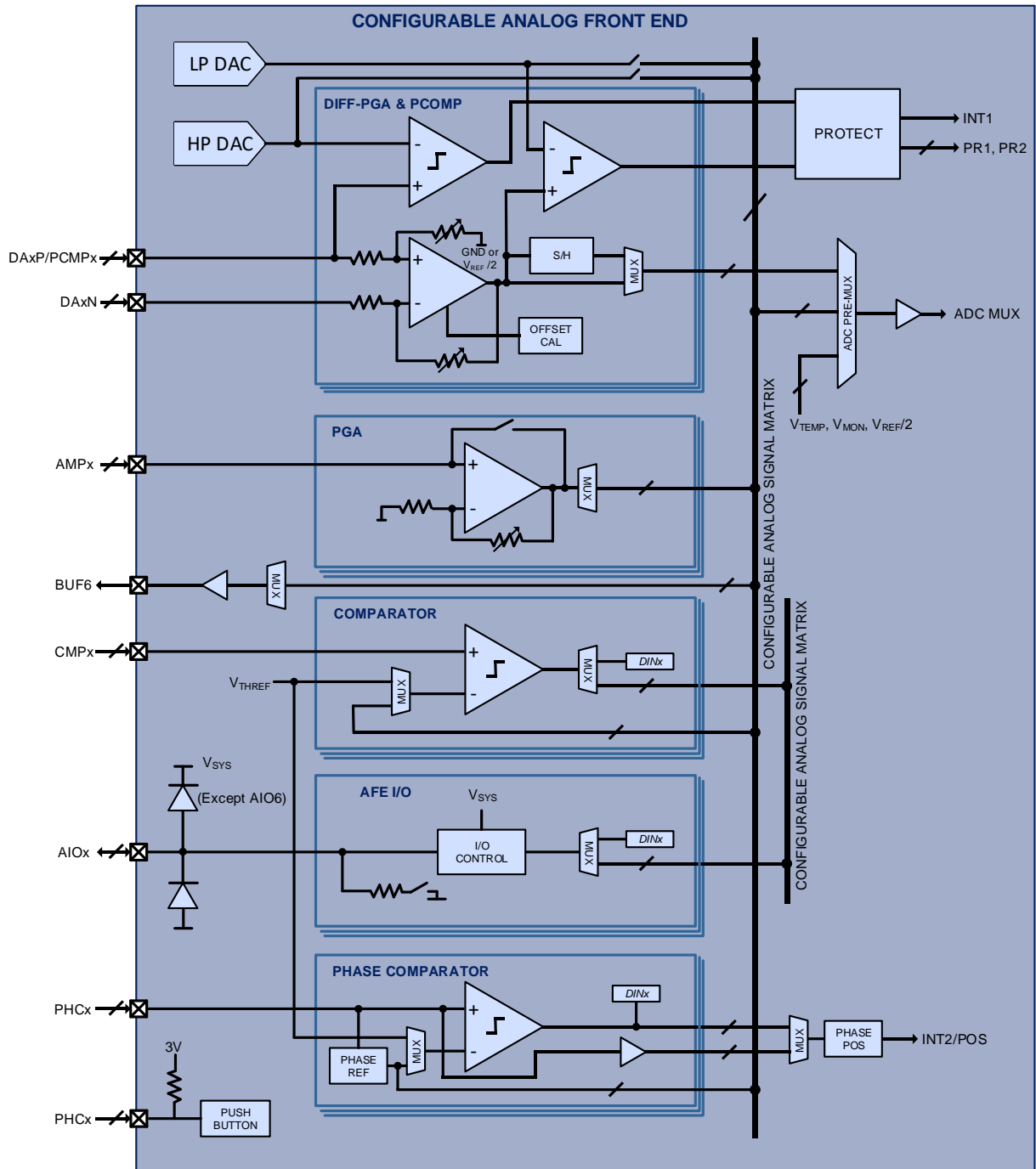
($V_P = 12V$ and $T_A = 25^\circ C$ unless otherwise specified)



11 CONFIGURABLE ANALOG FRONT END (CAFE)

11.1 Block Diagram

Figure 11-1 Configurable Analog Front End



11.2 Functional Description

The device includes a Configurable Analog Front End (CAFE, Figure 11-1) accessible through 10 analog and I/O pins. These pins can be configured to form flexible interconnected circuitry made up of 3 differential programmable gain amplifiers, 4 single-ended programmable gain amplifiers, 4 general purpose comparators, 3 phase comparators, 10 protection comparators, and one buffer output. These pins can also be programmed as analog feed-through pins, or as analog front end I/O pins that can function as digital inputs or digital open-drain outputs. The PAC proprietary configurable analog signal matrix (CASM) and configurable digital signal matrix (CDSM) allow real time asynchronous analog and digital signals to be routed in flexible circuit connections for different applications. A push button function is provided for optional push button on, hibernate, and off power management function.

11.3 Differential Programmable Gain Amplifier (DA)

The DAxP and DAxN pin pair are positive and negative inputs, respectively, to a differential programmable gain amplifier. The differential gain can be programmable to be 1x, 2x, 4x, 8x, 16x, 32x, and 48x for zero ohm signal source impedance. The differential programmable gain amplifier has -0.3V to 2.5V input common mode range, and its output can be configured for routing directly to the ADC pre-multiplexer, or through a sample-and-hold circuit synchronized with the ADC auto-sampling mechanism. Each differential amplifier is accompanied by offset calibration circuitry, and two protection comparators for protection event monitoring. The programmable gain differential amplifier is optimized for use with signal source impedance lower than 500Ω and with matched source impedance on both positive and negative inputs for minimal offset. The effective gain is scaled by $13.5k / (13.5k + R_{SOURCE})$, where R_{SOURCE} is the matched source impedance of each input.

11.4 Single-Ended Programmable Gain Amplifier (AMP)

Each AMPx input goes to a single-ended programmable gain amplifier with signal relative to V_{SSA} . The amplifier gain can be programmed to be 1x, 2x, 4x, 8x, 16x, 32x, and 48x, or as analog feed-through. The programmable gain amplifier output is routed via a multiplexer to the configurable analog signal matrix CASM.

11.5 General Purpose Comparator (CMP)

The general purpose comparator takes the CMPx input and compares it to either the programmable threshold voltage (V_{THREF}) or a signal from the configurable analog signal matrix CASM. The comparator has 0V to V_{SYS} input common mode range, and its polarity-selectable output is routed via a multiplexer to either a data input bit or the configurable digital signal matrix CDSM. Each general purpose comparator has two mask bits to prevent or allow rising or falling edge of its output to trigger second microcontroller interrupt INT2, where INT2 can be configured to active protection event PR1.

11.6 Phase Comparator (PHC)

The phase comparator takes the PHCx input and compares it to either the programmable threshold voltage (VTHREF) or a signal from the configurable analog signal matrix CASM. The comparison signal can be set to a phase reference signal generated by averaging the PHCx input voltages. In a three-phase motor control application, the phase reference signal acts as a virtual center tap for BEMF detection. The PHCx inputs are optionally fed through to the CASM. The PHC inputs can be compared to the virtual center-tap, or phase to phase for the most efficient BEMF zero-cross detection. The phase comparators have configurable asymmetric hysteresis.

The phase comparator has 0V to V_{SYS} input common mode range, and its polarity-selectable output is routed to a data input bit and to the phase/position multiplexer synchronized with the auto-sampling sequencers.

11.7 Protection Comparator (PCMP)

Two protection comparators are provided in association with each differential programmable gain amplifier, with outputs available to trigger protection events and accessible as read-back output bits. The high-speed protection (HP) comparator compares the PCMPx pin to the 8-bit HP DAC output voltage, with full scale voltage of 2.5V. The limit protection (LP) comparator compares the differential programmable gain amplifier output to the 10-bit LP DAC output voltage, with full scale voltage of 2.5V.

Each protection comparator has a mask bit to prevent or allow it to trigger the main microcontroller interrupt INT1. Each protection comparator also has one mask bit to prevent or allow it to activate protection event PR1, and another mask bit to prevent or allow it to activate protection event PR2. These two protection events can be used directly by protection circuitry in the Application Specific Power Drivers (ASPD) to protect devices being driven.

11.8 Analog Output Buffer (BUF)

A subset of the signals from the configurable analog signal matrix CASM can be multiplexed to the BUF6 pin for external use. The buffer offset voltage can be minimized with the built-in swap function.

11.9 Analog Front End I/O (AIO)

Up to 10 AIOx pins are available in the device, depending on the product⁵. In the analog front end I/O mode, the pin can be configured to be a digital input or digital open-drain output. The AIOx input or output signal can be set to a data input or output register bit, or multiplexed to one of the signals in the configurable digital signal matrix CDSM. The signal can be set to active

⁵ See the pin configuration and description for specific information on which pins are available in this product.

high (default) or active low, with V_{SYS} supply rail. Where $AIO_{6,7,8,9}$ supports microcontroller interrupt for external signals. Each has two mask bits to prevent or allow rising or falling edge of its corresponding digital input to trigger second microcontroller interrupt INT2.

11.10 Push Button (PBTN)

The push button PBTN, when enabled, can be used by the MCU to detect a user active-low push button event and to put the system into an ultra-low-power hibernate mode. Once the system is in hibernate mode, PBTN can be used to wake up the system.

In addition, PBTN can also be used as a hardware reset for the microcontroller when it is held low for longer than 8s during normal operation. The PBTN input is active low and has a 55k Ω pull-up resistor to 3V.

11.11 HP DAC and LP DAC

The 8-bit HP DAC can be used as the comparison voltage for the high-speed protection (HP) comparators, or routed for general purpose use via the AB2 signal in the CASM. The HP DAC output full scale voltage is 2.5V.

The 10-bit LP DAC can be used as the comparison voltage for the limit protection (LP) comparators, or routed for general purpose use via the AB3 signal in the CASM. The LP DAC output full scale voltage is 2.5V.

11.12 ADC Pre-Multiplexer

The ADC pre-multiplexer is a 16-to-1 multiplexer that selects between the 3 differential programmable gain amplifier outputs, AB1 through AB9, temperature monitor signal (V_{TEMP}), power monitor signal (V_{MON}), and offset calibration reference ($V_{REF} / 2$). The ADC pre-multiplexer can be directly controlled or automatically scanned by the auto-sampling sequencer.

When the ADC pre-multiplexer is automatically scanned, the unbuffered or sensitive signals should be masked by setting appropriate register bits.

11.13 Configurable Analog Signal Matrix (CASM)

The CASM has 12 general purpose analog signals labeled AB1 through AB12 that can be used for:

- Routing the single-ended programmable gain amplifier or analog feed-through output to AB1 through AB9
- Routing an analog signal via AB1, AB2, or AB3 to the negative input of a general purpose comparator or phase comparator
- Routing the 8-bit HP DAC output to AB2
- Routing the 10-bit LP DAC output to AB3

- Routing analog signals via AB1 through AB12 to the ADC pre-multiplexer
- Routing phase comparator feed-through signals to AB7, AB8, and AB9, and averaged voltage to AB1

11.14 Configurable Digital Signal Matrix (CDSM)

The CDSM has 7 general purpose bi-directional digital signals labeled DB1 through DB7 that can be used for:

- Routing the AIOx input to or output signals from DB1 through DB7
- Routing the general-purpose comparator output signals to DB1 through DB7

11.15 Electrical Characteristics

Table 11-1 Differential Programmable Gain Amplifier (DA) Electrical Characteristics

 (V_{SYS} = 5V, V_{CCIO} = 3.3V and T_A = -40°C to 125°C unless otherwise specified.)

SYMBOL	PARAMETER	CONDITIONS	MIN	TYP	MAX	UNIT
I _{CC,DA}	Operating supply current	Each enabled amplifier		150	300	μA
V _{ICMR,DA}	Input common mode range		-0.3		2.5	V
V _{OLR,DA}	Output linear range		0.1		V _{SYS} -0.1	V
V _{SHR,DA}	Sample and hold range		0.1		3.5	V
V _{OS,DA}	Input offset voltage	Gain = 48x, V _{DAXP} =V _{DAXN} =0V, T _A =25°C	-8		8	mV
A _{VZI,DA}	Differential amplifier gain (zero ohm source impedance)	Gain = 1x		1		
		Gain = 2x		2		
		Gain = 4x		4		
		Gain = 8x, V _{DAXP} =V _{DAXN} =0V, T _A = 25°C		8		
			-2		2	%
		Gain = 16x		16		
		Gain = 32x		32		
Gain = 48x		48				
k _{CMRR,DA}	Common mode rejection ratio	Gain = 8x, V _{DAXP} =V _{DAXN} =0V, T _A = 25°C		55		dB
R _{INDIF,DA}	Differential input impedance			27		kΩ
	Slew rate ⁶	Gain = 8x	7	10		V/μs
t _{ST,DA}	Settling time ⁶	To 1% of final value		200	400	ns

⁶ Guaranteed by design

Table 11-2 Single-Ended Programmable Gain Amplifier (AMP) Electrical Characteristics

 (V_{sys} = 5V, V_{CCIO} = 3.3V and T_A = -40°C to 125°C unless otherwise specified.)

SYMBOL	PARAMETER	CONDITIONS	MIN	TYP	MAX	UNIT
I _{CC,AMP}	Operating supply current	Each enabled amplifier		80	140	μA
V _{ICMR,DA}	Input common mode range		0		V _{sys}	V
V _{OLR,DA}	Output linear range		0.1		V _{sys} - 0.1	V
V _{OS,AMP}	Input offset voltage	Gain = 1x, T _A =25°C, V _{AMPx} =2.5V	-10		10	mV
A _{V,AMP}	Amplifier gain	Gain = 1x		1		
		Gain = 2x		2		
		Gain = 4x		4		
		Gain = 8x, V _{AMPx} =125mV, T _A = 25°C	-2		2	%
		Gain = 16x		16		
		Gain = 32x		32		
		Gain = 48x		48		
I _{IN,AMP}	Input current			0	1	μA
	Slew rate ⁶	Gain = 8x	8	12		V/μs
t _{ST,AMP}	Settling time ⁶	To 1% of final value		150	300	ns

Table 11-3 General Purpose Comparator (CMP) Electrical Characteristics

 (V_{sys} = 5V, V_{CC33} = 3.3V and T_A = -40°C to 125°C unless otherwise specified.)

SYMBOL	PARAMETER	CONDITIONS	MIN	TYP	MAX	UNIT
I _{CC,CMP}	Operating supply current	Each enabled amplifier		35	110	μA
V _{ICMR,CMP}	Input common mode range		0		V _{sys}	V
V _{OS,CMP}	Input offset voltage	VCMPx=2.5V, T _A =25C	-10		10	mV
V _{HYS,CMP}	Hysteresis			20		mV
I _{IN,CMP}	Input current			0	1	μA
t _{DEL,CMP}	Comparator delay ⁶				100	ns

Table 11-4 Phase Comparator (PHC) Electrical Characteristics

 (V_{sys} = 5V, V_{CC33} = 3.3V and T_A = -40°C to 125°C unless otherwise specified.)

SYMBOL	PARAMETER	CONDITIONS	MIN	TYP	MAX	UNIT
I _{CC,PHC}	Operating supply current	Each enabled amplifier		35	110	μA
V _{ICMR,PHC}	Input common mode range		0		V _{sys}	V
V _{OS,PHC}	Input offset voltage	V _{PCMPx} =2.5V, T _A =25°C	-10		10	mV
V _{HYS,PHC}	Hysteresis			20		mV
I _{IN,PHC}	Input current			0	1	μA
t _{DEL,PHC}	Comparator delay ⁶				100	ns

Table 11-5 Protection Comparator (PCMP) Electrical Characteristics

 (V_{sys} = 5V, V_{CC33} = 3.3V and T_A = -40°C to 125°C unless otherwise specified.)

SYMBOL	PARAMETER	CONDITIONS	MIN	TYP	MAX	UNIT
I _{CC,PCMP}	Operating supply current	Each enabled comparator		35	100	μA
V _{ICMR,PCMP}	Input common mode range		0.3		V _{sys} -1	V
V _{OS,PCMP}	Input offset voltage	V _{PCMPx} =2.5V, T _A =25°C	-10		10	mV
V _{HYS,PCMP}	Hysteresis			20		mV
I _{IN,PCMP}	Input current			0	1	μA
t _{DEL,PCMP}	Comparator delay ⁶				100	ns

Table 11-6 Analog Output Buffer (BUF) Electrical Characteristics

 (V_{sys} = 5V, V_{CCIO} = 3.3V, and T_A = -40°C to 125°C unless otherwise specified.)

SYMBOL	PARAMETER	CONDITIONS	MIN	TYP	MAX	UNIT
I _{CC,BUF}	Operating supply current	No load		35	100	μA
V _{ICMR,BUF}	Input common mode range		0		3.5	V
V _{OLR,AMP}	Output linear range		0.1		3.5	V
V _{OS,BUF}	Offset voltage	V _{BUF} = 2.5V, T _A = 25°C	-18		18	mV
I _{OMAX}	Maximum output current	C _L = 0.1nF	0.8	1.3		mA

Table 11-7 Analog Front End (AIO) Electrical Characteristics

 (V_{sys} = 5V, V_{CCIO} = 3.3V, and T_A = -40°C to 125°C unless otherwise specified.)

SYMBOL	PARAMETER	CONDITIONS	MIN	TYP	MAX	UNIT
V _{AIO}	Pin voltage range		0		5	V
V _{IH;AIO}	High-level input voltage		2.2			V
V _{IL;AIO}	Low-level input voltage				0.8	V
R _{PD;AIO}	Pull-down resistance	Input mode	0.5	1	1.8	MΩ
V _{OL;AIO}	Low-level output voltage	I _{AIO<9,7,3,1>=7mA, open-drain output mode}			0.4	V
		I _{AIO<6,0>=7mA, open-drain output mode}			0.5	
I _{OL;AIO}	Low-level output sink current	V _{AIOx} = 0.4V, open-drain output mode	6	14		mA
I _{LK;AIO}	High-level output leakage current	V _{AIOx} = 5V, open-drain output mode		0	10	μA

Table 11-8 Push Button (PBTN) Electrical Characteristics

 (V_{sys} = 5V, V_{CCIO} = 3.3V, and T_A = -40°C to 125°C unless otherwise specified.)

SYMBOL	PARAMETER	CONDITIONS	MIN	TYP	MAX	UNIT
V _{I;PBTN}	Input voltage range		0		5	V
V _{IH;PBTN}	High-level input voltage		2			V
V _{IL;PBTN}	Low-level input voltage				0.35	V
R _{PU;PBTN}	Pull-up resistance	To 3V, push-button input mode	40	55	95	kΩ

Table 11-9 HP DAC and LP DAC Electrical Characteristics

 (V_{sys} = 5V, V_{CCIO} = 3.3V, and T_A = -40°C to 125°C unless otherwise specified.)

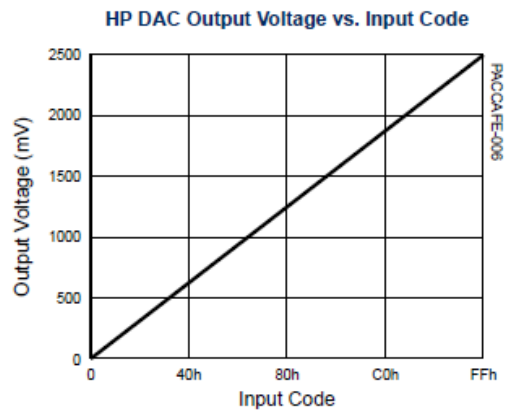
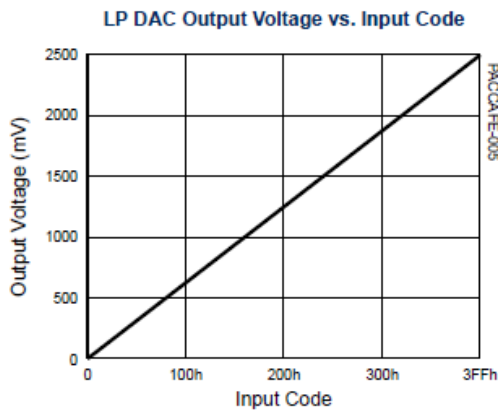
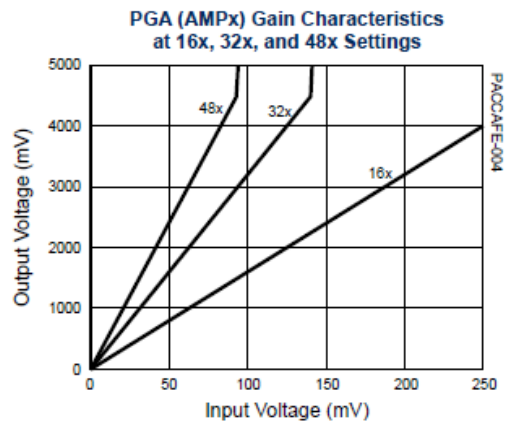
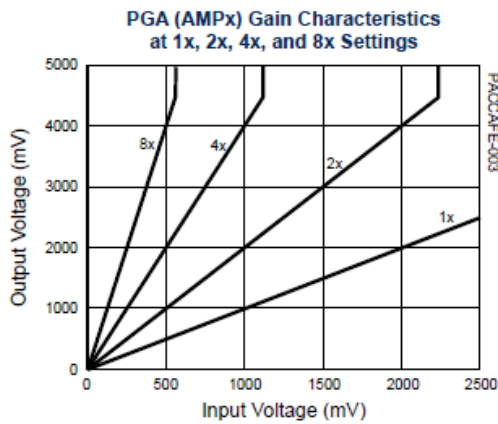
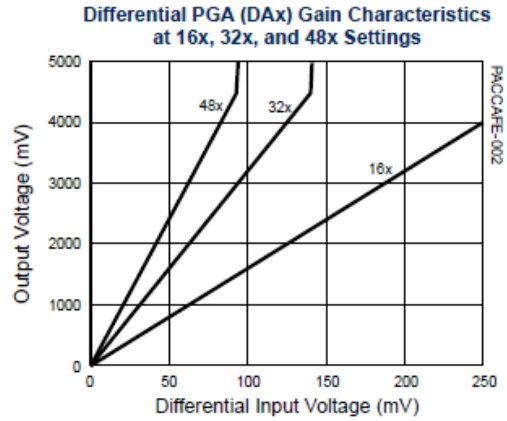
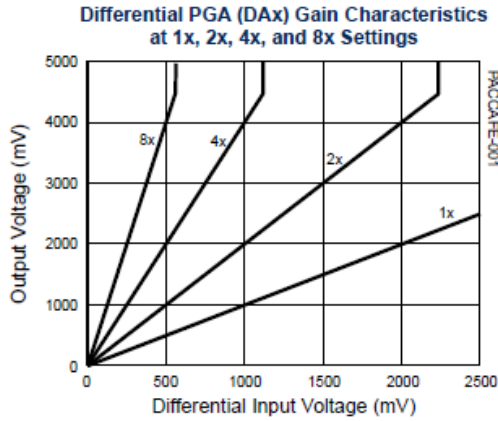
SYMBOL	PARAMETER	CONDITIONS	MIN	TYP	MAX	UNIT
VDACREF	DAC reference voltage	T _A = 25°C	2.48	2.5	2.52	V
		T _A = -40°C to 125°C	2.453	2.5	2.547	
	HP 8-bit DAC INL ⁷		-1		1	LSB
	HP 8-bit DAC DNL ⁷		-0.5		0.5	LSB
	LP 10-bit DAC INL ⁷		-2		2	LSB
	LP 10-bit DAC DNL ⁷		-1		1	LSB

⁷ Guaranteed by design and characterization

11.16 Typical Performance Characteristics

Figure 11-2 PGA Typical Performance Characteristics

($V_{SYS} = 5V$ and $T_A = 25^\circ C$ unless otherwise specified)



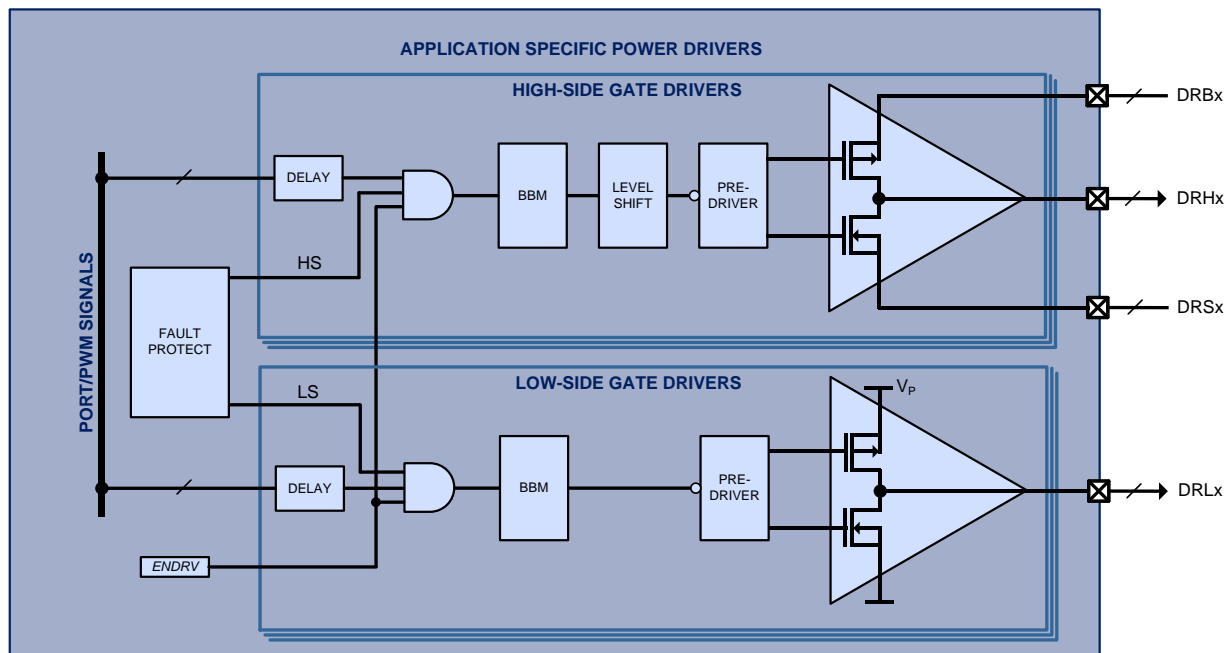
12 APPLICATION SPECIFIC POWER DRIVERS (ASPD)

12.1 Features

- 3 low-side and 3 high-side gate drivers
- 1.5A gate driving capability
- Configurable delays and fast fault protection

12.2 Block Diagram

Figure 12-1 Application Specific Power Drivers



12.3 Functional Description

The Application Specific Power Drivers (ASPD, Figure 12-1) module handles power driving for power and motor control applications. The ASPD contains three low-side gate drivers (DRLx), three high-side gate drivers (DRHx). Each gate driver can drive an external MOSFET or IGBT switch in response to high-speed control signals from the microcontroller ports, and a pair of high-side and low-side gate drivers can form a half-bridge driver.

Figure 12-2 below shows typical gate driver connections and Table 12-1 shows the ASPD available resources. The ASPD gate drivers support up to a 70V supply.

Figure 12-2 Typical Gate Driver Connections

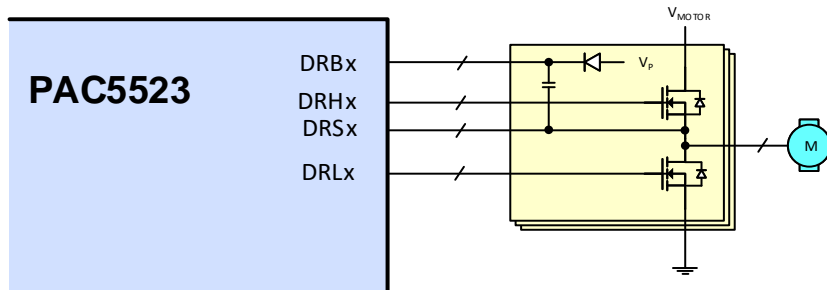


Table 12-1 Power Driver Resources by Part Numbers

PART NUMBER	LOW-SIDE GATE DRIVER		HIGH-SIDE GATE DRIVER		
	DRLx	SOURCE/SINK CURRENT	DRHx	MAX SUPPLY	SOURCE/SINK CURRENT
PAC5523	3	1.5A/1.5A	3	70V	1.5A/1.5A

The ASPD includes built-in configurable fault protection for the internal gate drivers.

12.4 Low-Side Gate Driver

The DRLx low-side gate driver drives the gate of an external MOSFET or IGBT switch between the low-level VSSP power ground rail and high-level VP supply rail. The DRLx output pin has sink and source output current capability of 1.5A. Each low-side gate driver is controlled by a microcontroller port signal with 4 configurable levels of propagation delay.

12.5 High-Side Gate Driver

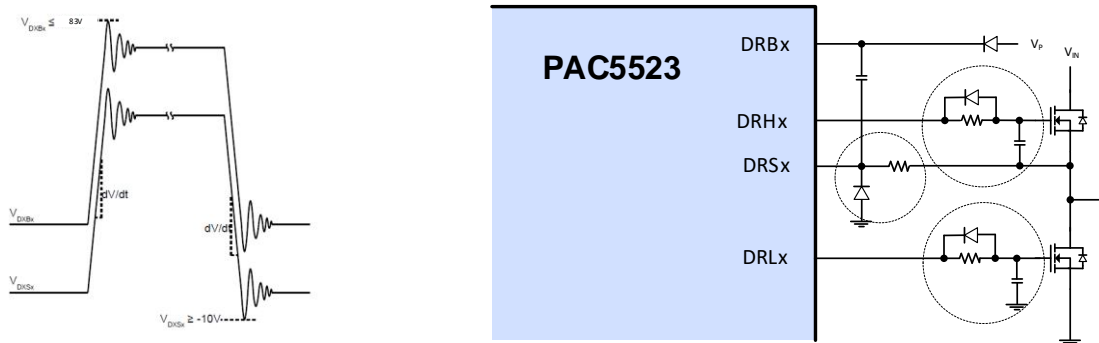
The DRHx high-side gate driver drives the gate of an external MOSFET or IGBT switch between its low-level DRSx driver source rail and its high-level DRBx bootstrap rail. The DRSx pin can go up to 70V steady state. The DRHx output pin has sink and source output current capability of 1.5A. The DRBx bootstrap pin can have a maximum operating voltage of 16V relative to the DRSx pin, and up to 82V steady state. The DRSx pin is designed to tolerate momentary switching negative spikes down to -5V without affecting the DRHx output state. Each high-side gate driver is controlled by a microcontroller port signal with 4 configurable levels of propagation delay.

For bootstrapped high-side operation, connect an appropriate capacitor between DRBx and DRSx and a properly rated bootstrap diode from VP to DRBx. To operate the DRHx output as a low-side gate driver, connect its DRBx pin to VP and its DRSx pin to VSSP.

12.6 High-Side Switching Transients

Typical high-side switching transients are shown in Figure 12-3(a). To ensure functionality and reliability, the DRSx and DRBx pins must not exceed the peak and undershoot limit values shown. This should be verified by probing the DRBx and DRSx pins directly relative to VSS pin. A small resistor and diode clamp for the DRSx pin can be used to make sure that the pin voltage stays within the negative limit value. In addition, the high-side slew rate dV/dt must be kept within $\pm 5V/ns$ for DRSx. This can be achieved by adding a resistor-diode pair in series, and an optional capacitor in parallel with the power switch gate. The parallel capacitor also provides a low impedance and close gate shunt against coupling from the switch drain. These optional protection and slew rate controls are shown in Figure 12-3(b).

Figure 12-3 High-Side Switching Transients and Optional Circuitry



(a) High-Side Switching Transients

(b) Optional Transient Protection and Slew Rate Control

12.7 Power Drivers Control

All power drivers are initially disabled from power-on-reset. To enable the power drivers, the microprocessor must first set the driver enable bit to '1'. The gate drivers are controlled by the microcontroller ports and/or PWM signals as shown in SOC CONTROL SIGNALS.

The drivers have configurable delays as shown in Table 12-2 Power Driver Delay Configuration. Refer to the PAC application notes and user guide for additional information on power drivers control programming.

Table 12-2 Power Driver Delay Configuration

DELAY SETTING	DRLx	DRHx
00b (default)		0ns
01b		50ns
10b		100ns
11b		200ns

12.8 Gate Driver Fault Protection

The ASPD incorporates a configurable fault protection mechanism using protection signal from the Configurable Analog Front End (CAFE), designated as protection event 1 (PR1) signal. The DRL0/DRL1/DRL2 drivers are designated as low-side group 1. The DRH3/DRH4/DRH5 gate drivers are designated as high-side group 1. The PR1 signal from the CAFE can be used to disable low-side group 1, high-side group 1, or both depending on the PR1 mask bit settings.

12.9 Electrical Characteristics

Table 12-3 Gate Driver Electrical Characteristics

($V_P = 12V$, $V_{SYS} = 5V$ and $T_A = -40^\circ C$ to $125^\circ C$ unless otherwise specified.)

SYMBOL	PARAMETER	CONDITIONS	MIN	TYP	MAX	UNIT
Low-Side Gate Drivers (DRLx pins)						
$V_{OH;DRL}$	High-level output voltage	$I_{DRLx} = -50mA$	$V_P-0.5$	$V_P-0.25$		V
$V_{OL;DRL}$	Low-level output voltage	$I_{DRLx} = 50mA$		0.175	0.35	V
$I_{OHPK;DRL}$	High-level pulsed peak source current	10 μs pulse		-1.5		A
$I_{OLPK;DRL}$	Low-level pulsed peak sink current	10 μs pulse		1.5		A
High-Side Gate Drivers (DRHx, DRBx and DRSx pins)						
V_{DRS}	Level-shift driver source voltage range	Repetitive, 10 μs pulse	-5		71	V
		Steady state	0		66	V
V_{DRB}	Bootstrap pin voltage range	Repetitive, 10 μs pulse	3		83	V
		Steady state	5.2		78	V
$V_{BS;DRB}$	Bootstrap supply voltage range	V_{DRBx} , relative to respective V_{DRSx}	5.2		16	V
$V_{UVLO;DRB}$	Bootstrap UVLO threshold	V_{DRBx} rising, relative to respective V_{DRSx} , hysteresis = 1V		3.5	4.5	V
$I_{BS;DRB}$	Bootstrap circuit supply current	Gate Driver Disabled		23	35	μA
		Gate Driver Enabled		30	45	
$I_{OS;DRB}$	Offset supply current	Gate Driver Disabled		0.5	10	μA
		Gate Driver Enabled		0.5	10	
$V_{OH;DRH}$	High-Level output voltage	$I_{DRHx} = -50mA$	$V_{DRBx}-0.6$	$V_{DRBx}-0.2$		V
$V_{OL;DRH}$	Low-level output voltage	$I_{DRHx} = 50mA$		$V_{DRSx}+0.175$	$V_{DRSx}+0.35$	V
$I_{OHPK;DRH}$	High-level pulsed peak source current	10 μs pulse		-1.5		A
$I_{OLPK;DRL}$	Low-level pulsed peak sink current	10 μs pulse		1.5		A
High-Side and Low-Side Gate Driver Propagation Delay						
t_{PD}	Propagation Delay	Delay setting 00b		0		ns
		Delay setting 01b		50		ns

		Delay setting 10b		100		ns
		Delay setting 11b		200		ns

12.10 Typical Performance Characteristics

Figure 12-4 ASPD Gate Driver Typical Performance Characteristics

($V_P = 12V$, $V_{SYS} = 5V$ and $T_A = -40^\circ C$ to $125^\circ C$ unless otherwise specified.)

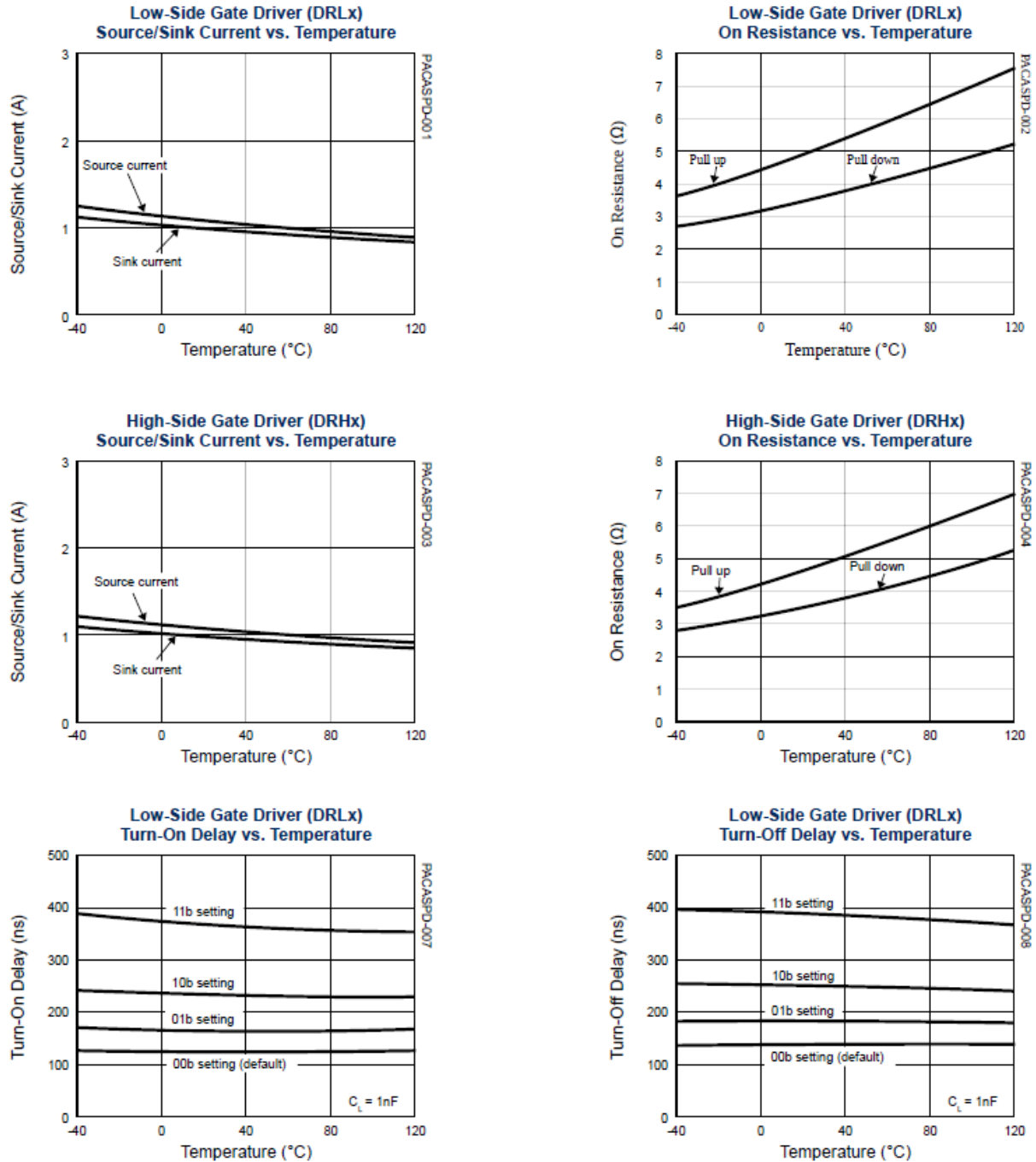
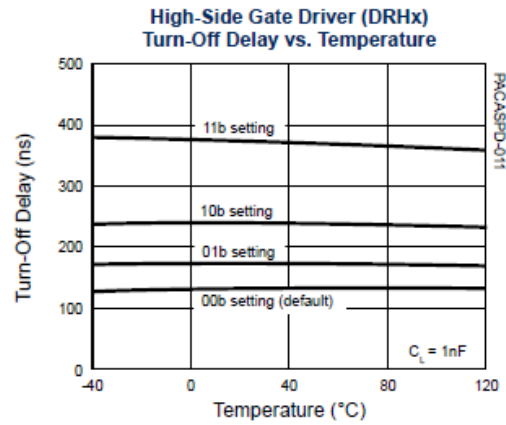
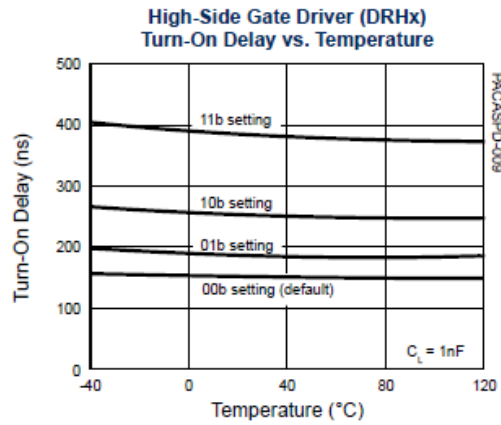


Figure 12-5 ASPD Gate Driver Typical Performance Characteristics (cont)

($V_P = 12V$, $V_{SYS} = 5V$ and $T_A = -40^\circ C$ to $125^\circ C$ unless otherwise specified.)



13 SOC CONTROL SIGNALS

The MCU has access to the Analog Sub-system on the PAC5523 through certain digital peripherals. The functions that the MCU may access from the Analog Sub-System are:

- High-side and Low-side Gate Drivers
- SPI Interface for Analog Register Access
- ADC EMUX
- Analog Sub-system Interrupts

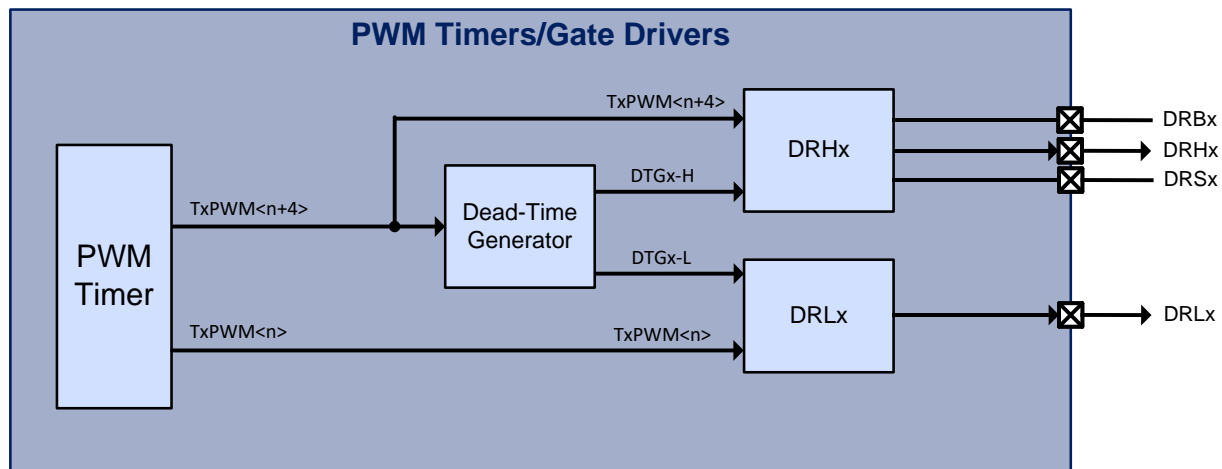
13.1 High-side and Low-Side Gate Drivers

The high-side and low-side gate drivers on the PAC5523 are controlled by PWM outputs of the timer peripherals on the MCU. The timer peripheral generates the PWM output. The PWM timer may be configured to generate a complementary PWM output (high-side and low-side gate drive signals) with hardware controlled dead-time.

These signals are sent to the gate drivers in the Analog Sub-system that create the high and low side gate drivers for the external inverter.

The user may choose to enable or not enable the DTG (Dead-time Generator). The diagram below shows the block diagram of the PWM timer, DTG and ASPD gate drivers.

Figure 13-1 SOC Signals for Gate Drivers



Each timer peripheral that drives the DTG and ASPD Gate Drivers has two PWM outputs that are connected to the gate drivers: $TxPWM<n>$ and $TxPWM<n+4>$. If the Dead-Time Generator is disabled $TxPWM<n>$ is connected to the DRLx gate driver output and $TxPWM<n+4>$ is connected to the DRHx gate driver output.

If the DTG is enabled, the TxPWM<n+4> is used to generate the complementary high-side and low-side output (DTGx-H and DTGx-L). DTGx-H is connected to the DRHx output and DTGx-L is connected to the DRLx output.

The MCU allows flexibility the assignment of PWM outputs to ASPD gate drivers. The tables below shows which PWM outputs are available for each gate driver.

For applications that drive half-bridge or full-bridge topologies, the DTG will be enabled to allow a complementary output with dead-time insertion.

Table 13-1 PWM to ASPD Gate Driver Options (DTG Enabled)

Gate Driver	PWM Input Options
DRH3/ DRL0	TAPWM4 TBPWM4 TCPWM0 TCPWM4 TDPWM4
DRH4/ DRL1	TAPWM5 TBPWM5 TCPWM1 TCPWM5 TDPWM5
DRH5/ DRL0	TAPWM6 TBPWM6 TCPWM2 TCPWM6 TDPWM6

For applications that are not driving half-bridge topologies, the DTG is disabled and the PWM outputs are directly connected to the gate drivers.

Table 13-2 PWM to ASPD Gate Driver Options (DTG Disabled)

Gate Driver	PWM Input Options
DRH3	TAPWM4 TBPWM4 TCPWM0 TCPWM4 TDPWM4
DRH4	TAPWM5 TBPWM5

	TCPWM1 TCPWM5 TDPWM5
DRH5	TAPWM6 TBPWM6 TCPWM2 TCPWM6 TDPWM6
DRL0	TAPWM0 TBPWM0 TCPWM0 TDPWM0
DRL1	TAPWM1 TBPWM1 TCPWM1 TDPWM1
DRL2	TAPWM2 TBPWM2 TCPWM2 TDPWM2

13.2 SPI SOC Bus

The SPI SOC bus is used for reading and writing registers in the Analog Sub-System. The PAC5523 allows both USARTA and USARTB to be used as the SPI master to read and write registers in the Analog Sub-System.

The table below shows which peripherals and which IO pins should be used for this interface.

Table 13-3 SPI SOC Bus Connections

SPI Signal	USART Signal	IO Pin
SCLK	USASCLK	PA3
	USBCLK	PA3
MOSI	USAMOSI	PA4
	USBMOSI	PA4
MISO	USAMISO	PA5
	USBMISO	PA5

SS	USASS	PA6
	USBSS	PA6

13.3 ADC EMUX

The ADC EMUX is a write-only serial bus that the ADC DTSE uses for instructing the CAFE to perform MUX changes, activate Sample and Hold, etc.

The table below shows the MCU pins that are used by the ADC EMUX in the PAC5523.

Table 13-4 SPI SOC Bus Connections

EMUX Signal	Description	IO Pin
EMUXC	EMUX Clock	PA2
EMUXD	EMUX Data	PA1

13.4 Analog Interrupts

The Analog sub-system has two interrupts that it can generate for different conditions. The table below shows the two different interrupts, the interrupt conditions and the IO pin that the interrupts are connected to.

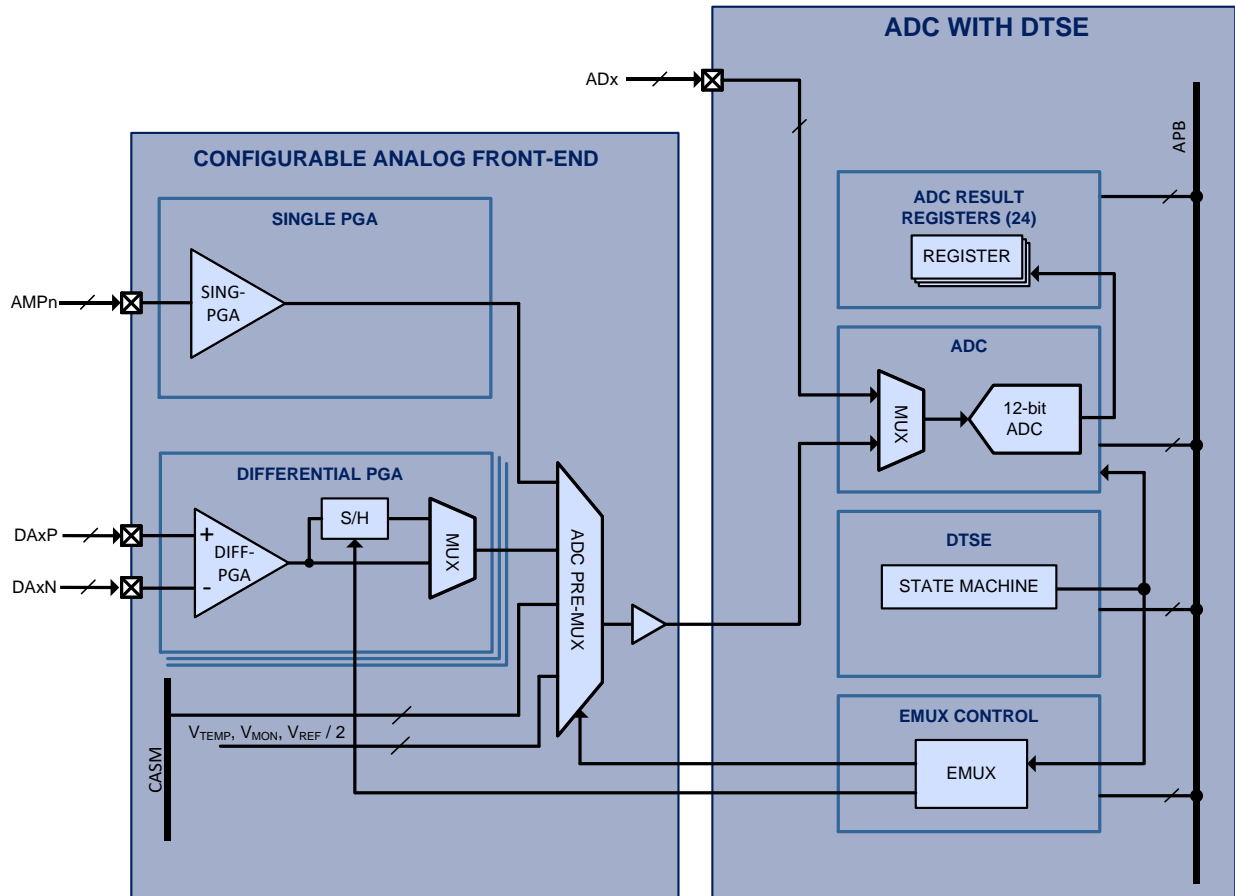
Table 13-5 Analog Interrupts

Analog IRQ	Interrupt Conditions	IO Pin
nIRQ1	HPCOMP/LPCOMP Comparator Protection for Over-current and Over-Voltage events	PA7
nIRQ2	BEMF and Special Mode Comparator, including phase to phase comparator, AIO6/AIO7/AIO8/AIO9 interrupt	PA0

14 ADC/DTSE

14.1 ADC Block Diagram

Figure 14-1 ADC with DTSE



14.2 Functional Description

14.2.1 ADC

The analog-to-digital converter (ADC) is a 12-bit successive approximation register (SAR) ADC with 400ns conversion time and up to 2.5 MSPS capability. The integrated analog multiplexer allows selection from up to 8 direct ADx inputs, and from up to 10 analog inputs signals in the Configurable Analog Front End (CAFE), including up to 3 differential input pairs as well as temperature and $V_{REF} / 2$.

The ADC contains a power down mode, and the user may configure the ADC to interrupt the MCU for the completion of a conversion when in manual mode. The ADC may be configured for either repeating or non-repeating conversions or conversion sequences.

14.2.2 Dynamic Triggering and Sample Engine

The Dynamic Triggering and Sample Engine (DTSE) is a highly-configurable automatic sequencer that allows the user to configure automatic sampling of their application-specific analog signals without any interaction from the micro-controller core. The DTSE also contains a pseudo-DMA engine that copies each of up to 24 conversion results to dedicated memory space and can interrupt the MCU when complete.

The DTSE has up to 32 input triggers, from PWM Timers A, B, C and D for either the rising, falling or rising and falling PWM edges. The user may also force any trigger sequence by writing a register via firmware. The user can configure the DTSE to chain from 1 to 24 conversions to any PWM trigger.

The DTSE has a flexible interrupt structure that allows up to 24 interrupts to be configured at the completion of any individual conversion. The user may configure one of four different IRQ signals when generating an interrupt during sequence conversions. The IRQ may be generated at the end of a conversion sequence, or at the end of a series of conversions. The user may select one of four IRQs for conversions, and each may be assigned a different interrupt priority.

Each of the 24 conversions has dedicated results registers, so that the pseudo-DMA engine has dedicated storage for each of the conversion results.

14.2.3 EMUX Control

A dedicated low latency interface controllable by the DTSE or register control allows changing the ADC pre-multiplexer and asserting/de-asserting the S/H circuit in the Configurable Analog Front-End (CAFE), allowing back to back conversions of multiple analog inputs without microcontroller interaction.

For more information on the ADC and DTSE, see the PAC55XX Family User Guide.

14.3 Electrical Characteristics

Table 14-1 ADC and DTSE Electrical Characteristics

 (V_P = 12V, V_{SYS} = 5V and T_A = -40°C to 125°C unless otherwise specified.)

SYMBOL	PARAMETER	CONDITIONS	MIN	TYP	MAX	UNIT
ADC						
f _{ADCCLK}	ADC conversion clock input				40	MHz
f _{ADCCONV}	ADC conversion time				16	ADCCLK
		f _{ADCCLK} = 40MHz; PCx, PDx, PEx, PFx, PGx pins			400	ns
		f _{ADCCLK} = 40MHz; AIO[9:0] pins			800	ns
t _{ADCSH}	ADC sample and hold time	f _{ADCCLK} = 40MHz			100	ns
					4	ADCCLK
C _{ADCI}	ADC input capacitance	ADC MUX input		1		pF
	ADC resolution			12		bits
	ADC effective resolution		10.5			bits
	ADC differential non-linearity (DNL)	F _{ADCCLK} = 25MHz		±0.5		LSB
		F _{ADCCLK} = 40MHz		±0.75		LSB
	ADC integral non-linearity (INL)	F _{ADCCLK} = 25MHz		±0.5		LSB
		F _{ADCCLK} = 40MHz		±0.75		LSB
	ADC offset error			0.6		%FS
	ADC gain error			0.12		%FS
REFERENCE VOLTAGE						
V _{REFADC}	ADC reference input voltage	VREF = 2.5V		2.5		V
EMUX CLOCK SPEED						
f _{EMUXCLK}	EMUX gine clock input				50	MHz

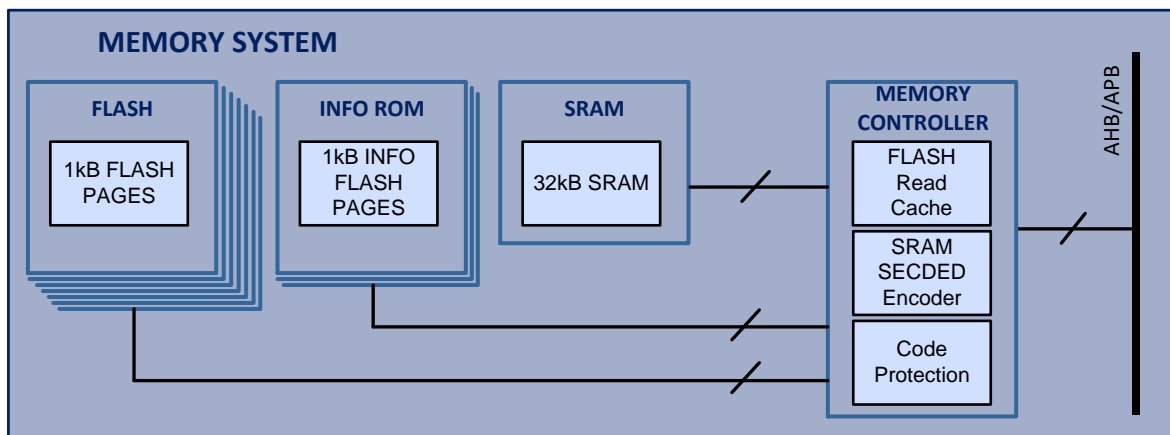
15 MEMORY SYSTEM

15.1 Features

- 128kB Embedded FLASH
 - 30,000 program/erase cycles
 - 10 years data retention
 - FLASH look-ahead buffer for optimizing access
- 1kB INFO-1 Embedded FLASH
- 1kB INFO-2 Embedded FLASH
 - Device ID, Unique ID, trim and manufacturing data
- 1kB INFO-3 Embedded FLASH
 - User data storage, configuration or parameter storage
 - Data or code
- 32kB SRAM
 - 150MHz access for code or data
 - SECEDED for read/write operations
- User-configurable code protection

15.2 Memory System Block Diagram

Figure 15-1 Memory System



15.3 Functional Description

The PAC55XX has multiple banks of embedded FLASH memory, SRAM memory as well as peripheral control registers that are program-accessible in a flat memory map.

15.4 Program FLASH

The PAC55XX Memory Controller provides access to 128 1kB pages of main program FLASH for a total of 128kB of FLASH through the system AHB bus. Each page may be individually erased or written while the MCU is executing instructions from SRAM.

The PAC55XX Memory Controller provides a FLASH read buffer that optimizes access from the MCU to the FLASH memory. This look ahead buffer monitors the program execution and fetches instructions from FLASH before they are needed to optimize access to this memory.

15.5 INFO FLASH

The PAC55XX Memory Controller provides access to the INFO-1, INFO-2 and INFO-3 FLASH memories, which are each a single 1kB page for a total of 3kB of memory.

INFO-1 and INFO-2 are read-only memories that contains device-specific information such as the device ID, a unique ID, trimming and calibration data that may be used by programs executing on the PAC55XX.

INFO-3 is available to the user for data or program storage.

15.6 SRAM

The PAC55XX Memory Controller provides access to the 32kB SRAM for non-persistent data storage. The SRAM memory supports word (4B), half-word (2B) and byte addresses.

The PAC55XX Memory Controller can read or write data from RAM up to 150MHz. This can be a benefit for time-critical applications. This memory can also be used for program execution when modifying the contents of FLASH, INFO-1 or INFO-2 FLASH.

The PAC55XX Memory Controller also has an SECDED encoder, capable of detecting and correcting single-bit errors, and detecting double-bit errors. The user may read the status of the encoder, to see if a single-bit error has occurred. The user may also enable an interrupt upon detection of single-bit errors. Dual-bit errors can be configured to generate an interrupt in the PAC55XX.⁸

⁸ Note that when writing half-word or single bytes to SRAM, the memory controller must perform a read-modify write to memory to perform the SECDED calculation. These operations will take more than one clock cycle to perform for this reason.

For more information on the PAC55XX Memory Controller, see the PAC55XX Family User Guide.

15.7 Code Protection

The PAC55XX allows user configurable code protection, to secure code from being read from the device.

There are four levels of code protection available as shown in the table below.

Table 15-1 Code Protection Level Description

LEVEL	NAME	FEATURES
0	UNLOCKED	<ul style="list-style-type: none"> No restrictions
1	RW PROTECTION	<ul style="list-style-type: none"> SWD/JTAG enabled Programmable protection of up to 128 regions of FLASH User-specified Read or Write protection per region
2	SWD DISABLED	<ul style="list-style-type: none"> SWD/JTAG disabled Programmable protection of up to 128 regions of FLASH User-specified Read or Write protection per region
3	SWD/JTAG PERMANENTLY DISABLED	<ul style="list-style-type: none"> SWD/JTAG disabled Programmable protection of up to 128 regions of FLASH User-specified Read or Write protection per region No recovery

15.8 Electrical Characteristics

Table 15-2 Memory System Electrical Characteristics

 (T_A = -40°C to 125°C unless otherwise specified.)

SYMBOL	PARAMETER	CONDITIONS	MIN	TYP	MAX	UNIT
Embedded FLASH						
t _{READ;FLASH}	FLASH read time		40			ns
t _{WRITE;FLASH}	FLASH write time		30			μs
t _{PERASE;FLASH}	FLASH page erase time			2		ms
t _{MERASE;FLASH}	FLASH full erase time			10		ms
N _{PERASE;FLASH}	FLASH program/erase cycles		30k			cycles
t _{DR;FLASH}	FLASH data retention		10			Years
SRAM						
t _{ACC;SRAM}	SRAM access time	HCLK = 150MHz; Word (32-bits), aligned	6.67			ns
		HCLK = 150MHz; Half-word (16-bits), byte (8-bits), aligned	6.67			ns

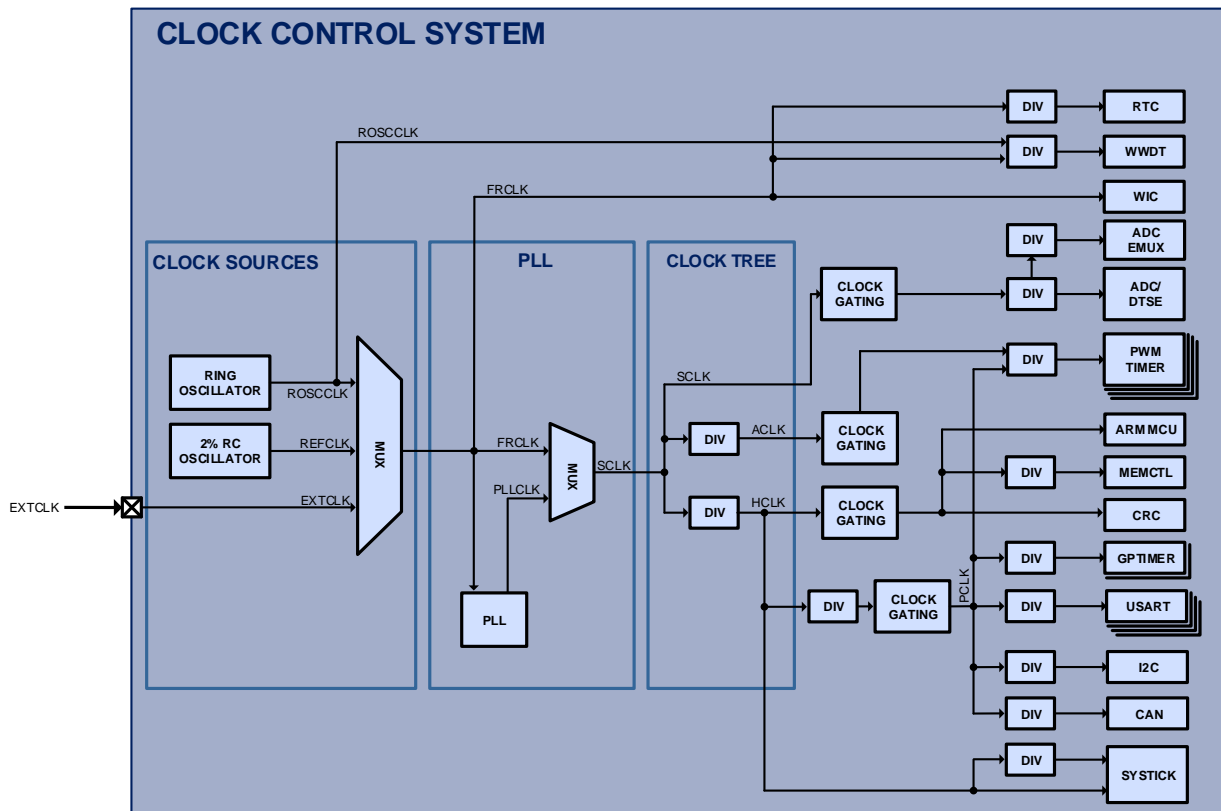
16 SYSTEM AND CLOCK CONTROL

16.1 Features

- 20MHz Ring Oscillator
- High accuracy 2% trimmed 4MHz RC oscillator
- External Clock Input for External Clocks up to 20MHz
- PLL with 1MHz to 50MHz input, 62.5MHz to 300MHz output
- Clock dividers for all system clocks
- Clock gating for power conservation during low-power operation

16.2 Block Diagram

Figure 16-1 Clock Control System



16.3 Clock Sources

16.3.1 Ring Oscillator

The Ring Oscillator (ROSC) is an integrated 20MHz clock oscillator that is the default system clock, and is available by default when the PAC55XX comes out of reset. The output of the ROSC is the **ROSCCLK** clock. The **ROSCCLK** may be selected as the **FRCLK** clock and may supply the WWDT, for applications that need an independent clock source or need to continue to be clocked when the system is in a low-power mode.

The ROSC may be disabled by the user by a configuration register.

16.3.2 Reference Clock

The Reference Clock (**REFCLK**) is an integrated 2% trimmed 4MHz RC clock. This clock is suitable for many applications. This clock may be selected as the **FRCLK** and can be used as the input to the PLL and is used to derive the clock for the MMPM.

16.3.3 External Clock Input

The External Clock Input (EXTCLK) is a clock input available through the digital peripheral MUX, and allows the drive the clock system by a 50% duty cycle clock of up to 20MHz. This clock may be selected as FRCLK and can be used as the input the PLL (as long as the accuracy is better than +/- 2%).

16.4 PLL

The PAC55XX contains a Phase Lock Loop (PLL) that can generate very high clock frequencies up to 300MHz for the peripherals and timers in the device. The input to the PLL is the **FRCLK** and must be from the **EXTCLK** or **REFCLK** clock sources

The input to the PLL must be between 1MHz – 50MHz and the output can be configured to be from 62.5MHz to 300MHz. The user can configure the PLL to generate the desired clock output based on a set of configuration registers in the CCS. The output of the PLL is the **PLLCLK** clock. The user may configure a MUX to generate the SCLK clock from **PLLCLK** or from **FRCLK**.

In addition to configuring the PLL output frequency, the PLL may be enabled, disabled and bypassed through a set of configuration registers in the CCS.

16.5 Clock Tree

The following are the system clocks available in the clock tree. See the section below to see which clocks are available for each of the digital peripherals in the system.

16.5.1 FRCLK

The free-running clock (**FRCLK**) is generated from one of the four clock sources (**ROSCCLK**, **EXTCLK** or **REFCLK**). This clock may be used by the WWDT and the RTC, for configurations that turn off all other system clocks during low power operation.

The **FRCLK** or **PLLCLK** is selected via a MUX and the output becomes **SCLK**.

16.5.2 SCLK

The System Clock (**SCLK**) generates two system clocks: **ACLK** and **HCLK**. Each of these system clocks has their own 3b clock divider and is described below.

16.5.3 PCLK

The Peripheral Clock (**PCLK**) is used by most of the digital peripherals in the PAC55XX. This clock has a 3b clock divider and also has clock gating support, which allows this clock output to be disabled before the system is put into the Arm[®] Cortex[®]-M4's deep sleep mode to conserve energy.

As shown above, most of the peripherals that use **PCLK** also have their own clock dividers so that this clock can be further divided down to meet the application's needs.

16.5.4 ACLK

The Auxiliary Clock (**ACLK**) may be optionally used by the PWM timer block in the PAC55XX in order to generate a very fast clock for PWM output to generate the best possible accuracy and edge generation.

This clock has a 3b clock divider and also has clock gating support, which disables this clock output when the system is put into the Arm[®] Cortex[®]-M4's deep sleep mode to conserve energy.

As shown above, the **ACLK** is an optional input for just the PWM timer block in the PAC55XX.

16.5.5 HCLK

The AHB Clock (**HCLK**) is used by the Arm[®] Cortex[®]-M4 MCU and Memory Controller peripheral. This clock has a 3b divider and also has clock gating support, which allows this clock output to be disabled before the system is put into the Arm[®] Cortex[®]-M4's deep sleep mode to conserve energy.

HCLK supplies PCLK with its clock source.

16.6 Electrical Characteristics

Table 16-1 CCS Electrical Characteristics

 (T_A = -40°C to 125°C unless otherwise specified.)

SYMBOL	PARAMETER	CONDITIONS	MIN	TYP	MAX	UNIT
Clock Tree (FRCLK, FCLK, PCLK, ACLK, HCLK)						
f _{FRCLK}	Free-running clock frequency				25	MHz
f _{SCLK}	System clock frequency				300	MHz
f _{PCLK}	Peripheral clock frequency	After divider			150	MHz
f _{ACLK}	Auxiliary clock frequency	After divider			300	MHz
f _{HCLK}	High-speed clock frequency	After divider			150	MHz
Internal Oscillators						
f _{ROSCCLK}	Ring oscillator frequency			20		MHz
f _{TRIM;REFCLK}	Trimmed RC oscillator frequency	T _A = 25°C	-2%	4	2%	MHz
		T _A = -40°C to 125°C	-3%	4	3%	
f _{JITTER;REFCLK}	Trimmed RC oscillator clock jitter	T _A = -40°C to 85°C		0.5		%
External Clock Input (EXTCLK)						
f _{EXTCLK}	External Clock Input Frequency				20	MHz
	External Clock Input Duty Cycle		40		60	%
V _{IH;EXTCLK}	External Clock Input high-level input voltage		2.1			V
V _{IL;EXTCLK}	External Clock Input low-level input voltage				0.825	V
PLL						
f _{IN;PLL}	PLL input frequency range		1		50	MHz
f _{OUT;PLL}	PLL output frequency range		62.5		300	MHz
t _{SETTLE;PLL}	PLL setting time	T _A = 25°C, PLL settled			15	μs
		T _A = 25°C, PLLLOCK = 1		200	500	μs
t _{JITTER;PLL}	PLL period jitter	RMS		25		ps
		Peak to peak			100	ps
	PLL duty cycle		40	50	60	%

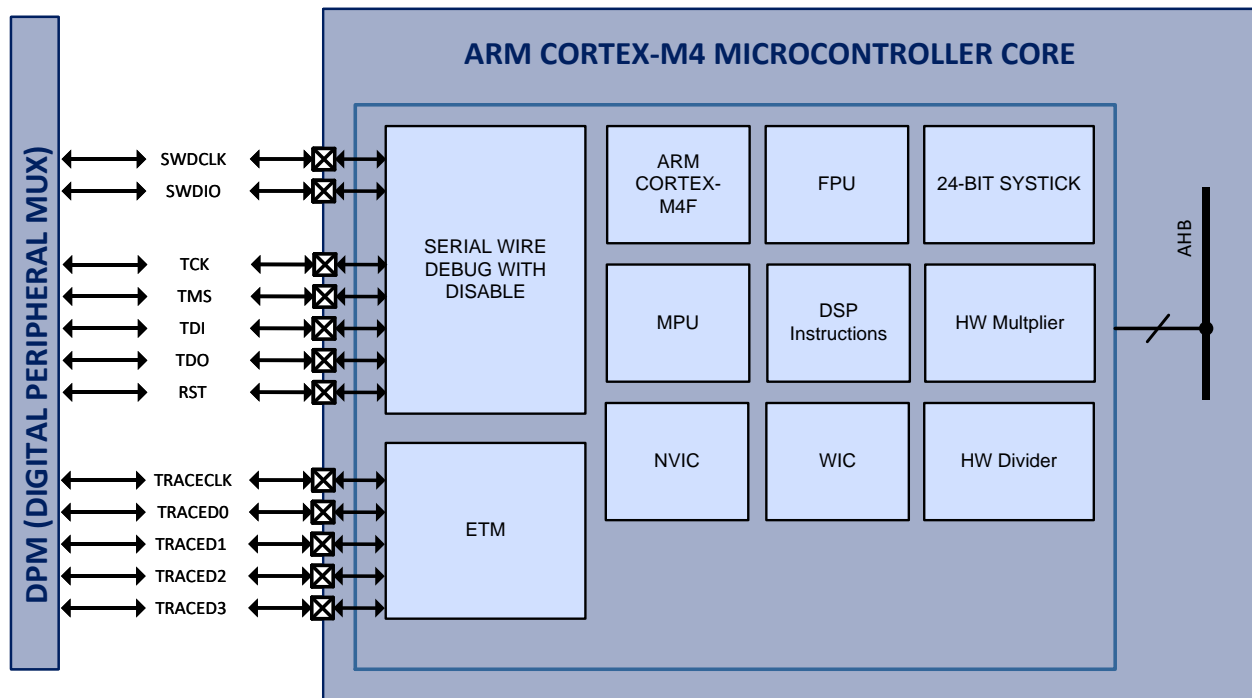
17 ARM[®] CORTEX[®]-M4F MCU CORE

17.1 Features

- Arm[®] Cortex[®]-M4F core
- SWD or JTAG Debug
- SWD/JTAG code security
- Embedded Trace Module (ETM) for instruction tracing
- Memory Protection Unit (MPU)
- Nested Vectored Interrupt Controller (NVIC) with 29 user interrupts and 8 levels of priority
- Floating Point Unit (FPU)
- Wakeup Interrupt Controller (WIC)
- 24-bit SysTick Count-down Timer
- Hardware Multiply and Divide Instructions

17.2 Block Diagram

Figure 17-1 Arm[®] Cortex[®]-M4F Microcontroller Core



17.3 Functional Description

The Arm[®] Cortex[®]-M4F microcontroller core is configured for little endian operation and includes hardware support for multiplication and division, DSP instructions as well as an IEEE754 single-precision Floating Point Unit (FPU).

The MCU also contains an 8-region Memory Protection Unit (MPU), as well as a Nested Vector Interrupt Controller (NVIC) that supports 29 user interrupts with 8 levels of priority. There is a 24-bit SysTick count-down timer.

The Arm[®] Cortex[®]-M4F supports sleep and deep sleep modes for low power operation. In sleep mode, the Arm[®] Cortex[®]-M4F is disabled. In deep sleep mode, the MCU as well as many peripherals are disabled. The Wakeup Interrupt Controller (WIC) can wake up the MCU when in deep sleep mode by using any GPIO interrupt, the Real-Time Clock (RTC) or Windowed Watchdog Timer (WWDT). The PAC55XX also supports clock gating to reduce power during deep sleep operation.

The debugger supports 4 breakpoint and 2 watch-point unit comparators using the SWD or JTAG protocols. The debug serial interfaces may be disabled to prevent memory access to the firmware during customer production.

For more information on the detailed operation of the Microcontroller Core in the PAC55XX, see the PAC55XX Family User Guide.

17.4 Application Typical Current Consumption

The MCU clock configuration and peripheral configuration have a large influence on the amount of load that the power supplies in the PAC55XX will have.

The table below shows a number of popular configurations and what the typical power consumption will be on the VSYS and VCORE power supplies in the PAC55XX.

Table 17-1 PAC55XX Application Typical Current Consumption

CLOCK CONFIGURATION	MCU PERIPHERALS	MCU STATE	I _{VSYS}	I _{VCORE}	I _{VCC33}
CLKREF = 4MHz PLL Disabled ACLK=HCLK=PCLK=SCLK=MCLK = 16MHz ROSCCLK Enabled FRCLK MUX = ROSCCLK	All peripherals disabled	Halted	9.5mA	2.3mA	n/a
CLKREF = 4MHz PLLCLK = 30MHz ACLK=HCLK=PCLK=SCLK= 16MHz MCLK = 30MHz ROSCCLK Enabled FRCLK MUX = CLKREF	All peripherals disabled	Halted	10.5mA	3.5mA	n/a
CLKREF = 4MHz PLLCLK = 150MHz ACLK=HCLK=PCLK=SCLK= 150MHz MCLK = 30MHz ROSCCLK Enabled FRCLK MUX = CLKREF	All peripherals disabled	Halted	20mA	13.5mA	n/a
CLKREF = 4MHz PLLCLK = 300MHz ACLK=HCLK=PCLK=SCLK= 150MHz MCLK = 30MHz ROSCCLK Enabled FRCLK MUX = CLKREF	All peripherals disabled	Halted	22mA	15mA	n/a
CLKREF = 4MHz PLLCLK = 300MHz ACLK=HCLK=PCLK=SCLK= 150MHz MCLK = 30MHz ROSCCLK Enabled FRCLK MUX = CLKREF ADCCLK = 40MHz	ADC enabled (repeated conversions)	Halted	36mA	16mA	13.5mA
CLKREF = 4MHz PLLCLK = 300MHz ACLK=HCLK=PCLK=SCLK= 150MHz MCLK = 30MHz ROSCCLK Enabled FRCLK MUX = CLKREF	All peripherals disabled	CPU Executes instructions from FLASH	8.5mA	2.2mA	n/a
CLKREF = 4MHz PLLCLK = 300MHz ACLK=HCLK=PCLK=SCLK= 150MHz MCLK = 30MHz ROSCCLK Enabled FRCLK MUX = CLKREF	Timer A enabled; TAPWM[7:0] enabled; Fs = 100kHz; 50% duty cycle	Halted	22mA	15mA	n/a

17.5 Electrical Characteristics

Table 17-2 MCU and Clock Control System Electrical Characteristics

 (T_A = -40°C to 125°C unless otherwise specified.)

SYMBOL	PARAMETER	CONDITIONS	MIN	TYP	MAX	UNIT
f _{HCLK}	Microcontroller Clock				150	MHz
I _{Q,V_{CORE}}	V _{CORE} quiescent current	Arm [®] Cortex [®] -M4F Sleep/Deep Sleep Modes			2	mA
		PAC5523 Hibernate Mode			0	mA
I _{Q,V_{SYS}}	V _{SYS} quiescent current	Arm [®] Cortex [®] -M4F Sleep/Deep Sleep Modes			8	mA
		PAC5523 Hibernate Mode			15	μA
I _{Q,V_{CCIO}}	V _{CCIO} quiescent current	Arm [®] Cortex [®] -M4F Sleep/Deep Sleep Modes			0.15	mA
		PAC5523 Hibernate Mode			0	mA
I _{Q,V_{CC33}}	V _{CC33} quiescent current	Arm [®] Cortex [®] -M4F Sleep/Deep Sleep Modes			0.4	mA
		PAC5523 Hibernate Mode			0	mA

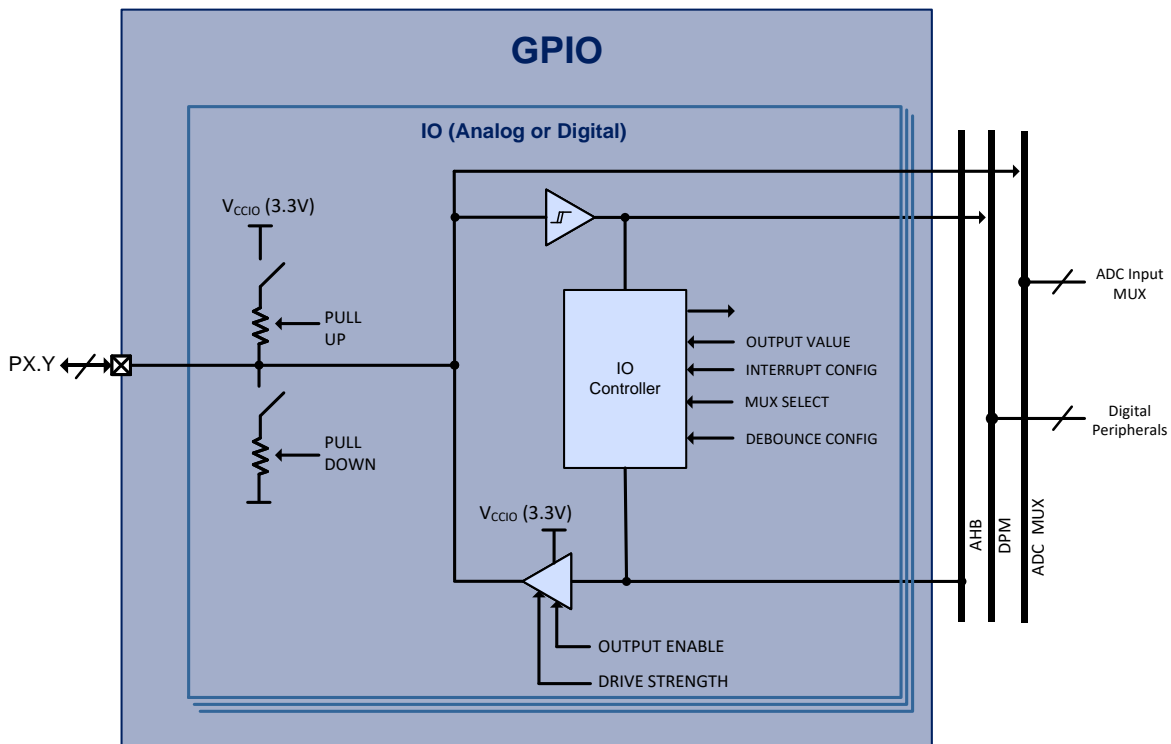
18 IO CONTROLLER

18.1 Features

- 3.3V Input/Output, 4.6V input tolerant
- Push-Pull Output, Open-Drain Output or High-Impedance Input for each IO
- Configurable Pull-up and Pull-down for each IO (60k)
- Configurable Drive Strength for each IO (up to 24mA)
- Analog Input for some IOs
- Edge-sensitive or level-sensitive interrupts
- Rising edge, falling edge or both edge interrupts
- Peripheral MUX allowing up to 8 peripheral selections for each IO
- Configurable De-bouncing Circuit for each IO

18.2 Block Diagram

Figure 18-1 IO Controller Block Diagram



18.3 Functional Description

The PAC55XX IO cells can be used for digital input/output and analog input for the ADC. All IOs are supplied by the V_{CCIO} (3.3V) power supply.

Each IO can be configured for digital push-pull output, open-drain output or high-impedance input. Each IO also has a configurable 60k weak pull-up or weak pull-down that can be enabled.

NOTE: Configuring both pull-up and pull-down at the same time may cause device damage and should be avoided.

Each IO has a configurable de-bouncing filter that can be enabled or disabled, to help filter out noise.

All IO have interrupt capability. Each pin can be configured for either level or edge sensitive interrupts, and can select between rising edge, falling edge and both edges for interrupts. Each pin has a separate interrupt enable and interrupt flag.

Some of the IO on the PAC5523 can be configured as an analog input to the ADC.

18.4 GPIO Current Injection

Under normal operation, there should not be current injected into the GPIOs on the device due to the GPIO voltage below ground or above the GPIO supply (V_{CCIO}). Current will be injected into the GPIO when the GPIO pin voltage is less than -0.3V or when greater than GPIO supply + 0.3V.

In order provide a robust solution when this situation occurs, the PAC52XX family of products allows a small amount of injected current into the GPIO pins, to avoid excessive leakage or device damage.

For information on the GPIO current injection thresholds, see the absolute maximum parameters for this device.

Sustained operation with the GPIO pin voltage greater than the GPIO supply or when the GPIO pin voltage is less than -0.3V may result in reduced lifetime of the device. GPIO current injection should only be a temporary condition.

18.5 Peripheral MUX

The following table shows the available pin MUX options for this device. Note that if the pin is configured for analog input, the peripheral MUX is bypassed.

Table 18-1 PAC5523 Peripheral Pin MUX

PIN	Peripheral MUX Selection								ADC CH
	S0	S1	S2	S3	S4	S5	S6	S7	
PC7	GPIOC7	TBPWM7	TCPWM7		USBSS	USCMISO	FRCLK	EMUXC	
PC4	GPIOC4	TBPWM4	TCPWM4	TCIDX	USBMOSI	USCSCLK	CANRXD	I2CSDL	
PC5	GPIOC5	TBPWM5	TCPWM5	TCPHA	USBMISO	USCSS	CANTXD	I2CSDA	
PC6	GPIOC6	TBPWM6	TCPWM6	TCPHB	USBSCLK	USCMOSI		EMUXD	
PE0	GPIOE0	TCPWM4	TDPWM0	TAIDX	TBIDX	USCCLK	I2CSCL	EMUXC	
PE1	GPIOE1	TCPWM5	TDPWM1	TAPHA	TBPHA	USCSS	I2CSDA	EMUXD	
PE2	GPIOE2	TCPWM6	TDPWM2	TAPHB	TBPHB	USCMOSI	CANRXD	EXTCLK	
PE3	GPIOE3	TCPWM7	TDPWM3	FRCLK		USCMISO	CANTXD		
PF0	GPIOF0	TCPWM0	TDPWM0	TCK/SWDCL	TBIDX	USBSCLK	TRACED2	TRACECLK	
PF1	GPIOF1	TCPWM1	TDPWM1	TMS/SWDIO	TBPHA	USBSS	TRACED1	TRACED0	
PF2	GPIOF2	TCPWM2	TDPWM2	TDI	TBPHB	USBMOSI	TRACED0	TRACED1	
PF3	GPIOF3	TCPWM3	TDPWM3	TDO	FRCLK	USBMISO	TRACECLK	TRACED2	
PF4	GPIOF4	TCPWM4	TDPWM4		TCIDX	USDSCLK	TRACED3	EMUXC	ADC4
PF5	GPIOF5	TCPWM5	TDPWM5		TCPHA	USDSS		EMUXD	ADC5
PF6	GPIOF6	TCPWM6	TDPWM6		TCPHB	USDMSI	CANRXD	I2CSCL	ADC6

18.6 Electrical Characteristics

Table 18-2 IO Controller Electrical Characteristics

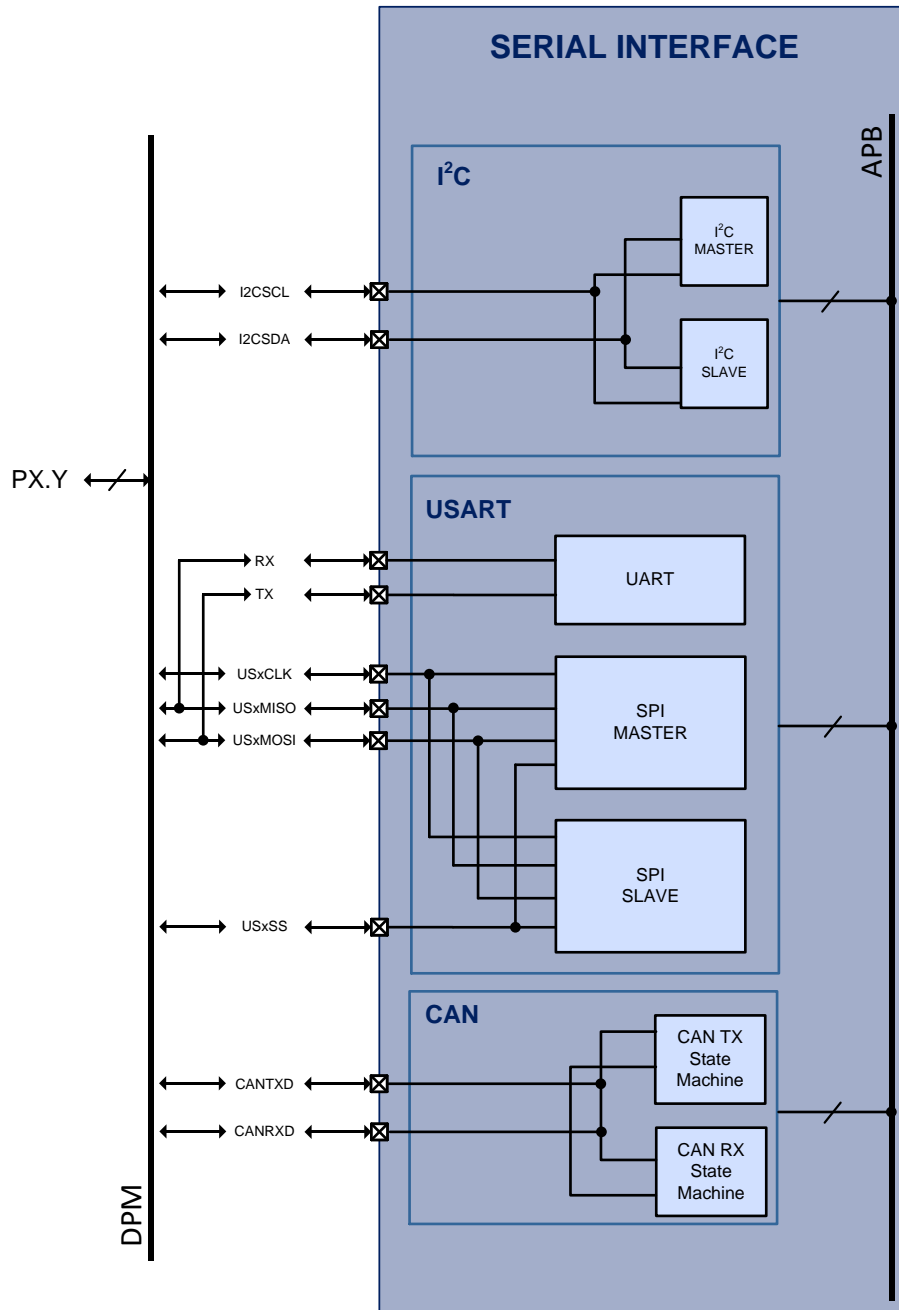
 (V_{CCIO} = 3.3V, V_{SYS} = 5V, V_{COORE} = 1.2V, and T_A = -40°C to 125°C unless otherwise specified.)

SYMBOL	PARAMETER	CONDITIONS	MIN	TYP	MAX	UNIT	
V _{IH}	High-level input voltage		2.1			V	
V _{IL}	Low-level input voltage				0.825	V	
I _{OL}	Low-level output sink current (Limited by I _{VSYS} and I _{VCCIO})	V _{OL} = 0.4V	DS = 6mA	6			mA
			DS = 8mA	8			
			DS = 11mA	11			
			DS = 14mA	14			
			DS = 17mA	17			
			DS = 20mA	20			
			DS = 22mA	22			
			DS = 25mA	25			
I _{OH}	High-level output source current (Limited by I _{VSYS} and I _{VCCIO})	V _{OH} = 2.4V	DS = 6mA			-6	mA
			DS = 8mA			-8	
			DS = 11mA			-11	
			DS = 14mA			-14	
			DS = 17mA			-17	
			DS = 20mA			-20	
			DS = 22mA			-22	
			DS = 25mA			-25	
I _{IL}	Input leakage current		-2		0.95	μA	
R _{PU}	Weak pull-up resistance	When pull-up enabled	45	60	100	kΩ	
R _{PD}	Weak pull-down resistance	When pull-down enabled	45	60	115	kΩ	
I _{INJ;GPIO}	GPIO pin current injection	V _{GPIO} < -0.3V or V _{GPIO} > V _{CCIO} + 0.3V	-15		15	mA	
ΣI _{INJ;GPIO}	Sum of all GPIO pin current injection	V _{GPIO} < -0.3V or V _{GPIO} > V _{CCIO} + 0.3V	-40		40	mA	

19 SERIAL INTERFACE

19.1 Block Diagram

Figure 19-1 Serial Interface Block Diagram



19.2 Functional Description

The PAC55XX has three types of serial interfaces: I²C, USART and CAN. The PAC55XX has one I²C controller, one CAN controller and up to 3 USARTs.

19.3 I²C Controller

The PAC55XX contains one I²C controller. This is a configurable APB peripheral and the clock input is PCLK. This peripheral has an input clock divider that can be used to generate various master clock frequencies. The I²C controller can support various modes of operation:

- I²C master operation
 - Standard (100kHz), full-speed (400kHz), fast (1MHz) or high-speed modes (3.4MHz)
 - Single and multi-master
 - Synchronization (multi-master)
 - Arbitration (multi-master)
 - 7-bit or 10-bit slave addressing
- I²C slave operation
 - Standard (100kHz), full-speed (400kHz), fast (1MHz) or high-speed modes (3.4MHz)
 - Clock stretching
 - 7-bit or 10-bit slave addressing

The I²C peripheral may operate either by polling, or can be configured to be interrupt driven for both receive and transmit operations.

19.4 USART

The PAC55XX contains up to 2 Universal Synchronous Receive Transmit (USART) peripherals. Each USART is a configurable APB bus client and input clock is PCLK. These peripherals have a configurable clock divider that can be used to produce various frequencies for the UART or SPI master peripheral.

The number of these peripherals depends on the peripheral MUX configuration. See the IO Controller section on information on how to configure the peripheral MUX with the USART peripheral.

The USART peripheral supports two main modes: SPI mode and UART mode.

19.4.1 USART SPI Mode

- Master or slave mode operation
- 8-bit, 16-bit or 32-bit word transfers
- Configurable clock polarity (active high or active low)
- Configurable data phase (setup/sample or sample/setup)

- Interrupts and status flags for RX and TX operations
- Support for up to 25MHz SPI clock

19.4.2 USART UART Mode

- 8-bit data
- Programmable data bit rate
- Maximum baud rate of 1Mbaud
- RX and TX FIFOs
- Configurable stop bits (1 or 2)
- Configurable parity: even, odd, none
 - Mark/space support for 9-bit addressing protocols
- Interrupt and status flags for RX and TX operations

19.5 CAN

The PAC55XX contains one Controller Area Network (CAN) peripheral. The CAN peripheral is a configurable APB bus client and input clock is PCLK. This peripheral has a configurable clock divider that can be used to produce various frequencies for the CAN peripheral.

- CAN 2.0B support
- 1Mb/s data rate
- 64-byte receive FIFO
- 16-byte transmit buffer
- Standard and extended frame support
- Arbitration
- Overload frame generated on FIFO overflow
- Normal and Listen Only modes supported
- Interrupt and status flags for RX and TX operations

19.6 Dynamic Characteristics

Table 19-1 Serial Interface Dynamic Characteristics

 (V_{CCIO} = 3.3V, V_{SYS} = 5V, V_{CORE} = 1.2V, and T_A = -40°C to 125°C unless otherwise specified.)

SYMBOL	PARAMETER	CONDITIONS	MIN	TYP	MAX	UNIT
I²C						
f _{I2CCLK}	I ² C input clock frequency	Standard mode (100kHz)	2.8			MHz
		Full-speed mode (400kHz)	2.8			MHz
		Fast mode (1MHz)	6.14			MHz
		High-speed mode (3.4MHz)	20.88			MHz
USART (UART mode)						
f _{UARTCLK}	USART input clock frequency			f _{PCLK} /16		MHz
f _{UARTBAUD}	USART baud rate	f _{USARTCLK} = 7.1825MHz		1		Mbps
USART (SPI mode)						
f _{SPICLK}	USART input clock frequency	Master mode			50	MHz
		Slave mode			50	MHz
f _{USARTSPICLK}	USART SPI clock frequency	Master mode			25	MHz
		Slave mode			25	MHz
CAN						
f _{CANCLK}	CAN input clock frequency				50	MHz
f _{CANTX}	CAN transmit clock frequency				1	Mbps
f _{CANRX}	CAN receive clock frequency				1	Mbps

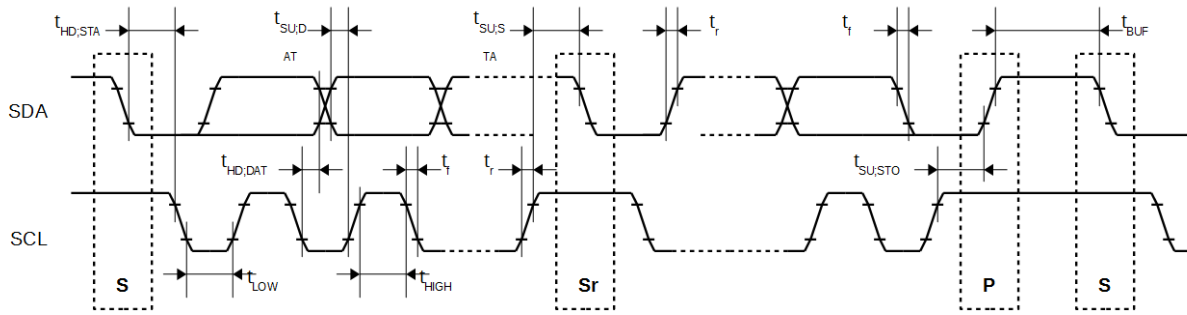
Table 19-2 I²C Dynamic Characteristics

 (V_{CCIO} = 3.3V, V_{SYS} = 5V, V_{CORE} = 1.2V, and T_A = -40°C to 125°C unless otherwise specified.)

SYMBOL	PARAMETER	CONDITIONS	MIN	TYP	MAX	UNIT
f _{SCL}	SCL clock frequency	Standard mode	0		100	kHz
		Full-speed mode	0		400	kHz
		Fast mode	0		1	MHz
t _{LOW}	SCL clock low	Standard mode	4.7			μs
		Full-speed mode	1.3			μs
		Fast mode	0.5			μs
t _{HIGH}	SCL clock high	Standard mode	4.0			μs
		Full-speed mode	0.6			μs
		Fast mode	0.26			μs

$t_{HD,STA}$	Hold time for a repeated START condition	Standard mode	4.0	μs	
		Full-speed mode	0.6	μs	
		Fast mode	0.26	μs	
$t_{SU,STA}$	Set-up time for a repeated START condition	Standard mode	4.7	μs	
		Full-speed mode	0.6	μs	
		Fast mode	0.26	μs	
$t_{HD,DAT}$	Data hold time	Standard mode	0	3.45	μs
		Full-speed mode	0	0.9	μs
		Fast mode	0		μs
$t_{SU,DAT}$	Data setup time	Standard mode	250		ns
		Full-speed mode	100		ns
		Fast mode	50		ns
$t_{SU,STO}$	Set-up time for STOP condition	Standard mode	4.0		μs
		Full-speed mode	0.6		μs
		Fast mode	0.26		μs
t_{BUF}	Bus free time between a STOP and START condition	Standard mode	4.7		μs
		Full-speed mode	1.3		μs
		Fast mode	0.5		μs
t_r	Rise time for SDA and SCL	Standard mode		1000	ns
		Full-speed mode	20	300	ns
		Fast mode		120	ns
t_f	Fall time for SDA and SCL	Standard mode		300	ns
		Full-speed mode		300	ns
		Fast mode		120	ns
C_b	Capacitive load for each bus line	Standard mode, full-speed mode		400	pF
		Fast mode		550	pF

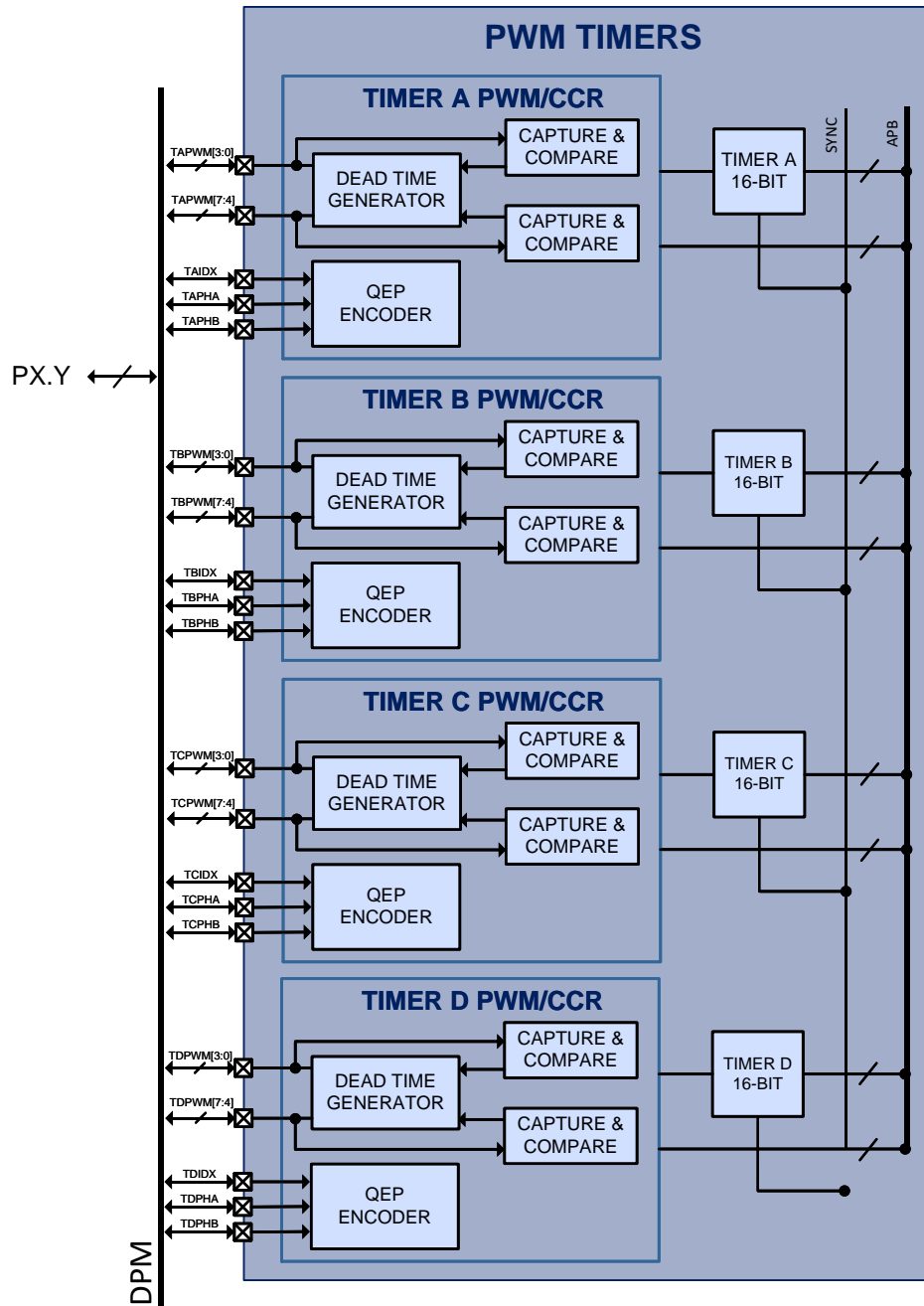
 Figure 19-2 I²C Timing Diagram



20 PWM TIMERS

20.1 Block Diagram

Figure 20-1 PWM Timers Block Diagram



20.2 Timer Features

- Configurable input clock source: PCLK or ACLK
- Up to 300MHz input clock
- 3-bit Input clock divider
- Timer counting modes
 - up, up/down and asymmetric
- Timer latch modes
 - Latch when counter = 0
 - Latch when counter = period
 - Latch when CCR value written
 - Latch all CCR values at same time
- Base timer interrupts
- Single shot or auto-reload

20.2.1 CCR/PWM Timer

- PWM output or capture input
- CCR interrupt enable
- CCR interrupt skips
- SW force CCR interrupt
- CCR interrupt type
 - Rising, falling or both
- CCR compare latch modes
 - Latch when counter = 0
 - Latch when counter = period
 - Latch immediate
- CCR capture latch modes
 - Latch on rising edge
 - Latch on falling edge
 - Latch on both rising and falling edges
- Invert CCR output
- CCR phase delay for phase shifted drive topologies
- ADC trigger outputs
 - PWM rising edge or falling edge

20.2.2 Dead-time Generators (DTG)

- DTG enabled
- 12-bit rising edge delay

- 12-bit falling edge delay

20.2.3 QEP Decoder

- QEP encoder enabled
- Direction status
- Configurable Interrupts:
 - Phase A rising edge
 - Phase B rising edge
 - Index event
 - Counter wrap
- 4 different counting modes for best resolution, range and speed performance

21 GENERAL PURPOSE TIMERS

21.1 Block Diagram

Figure 21-1 SOC Bus Watchdog and Wake-up Timer

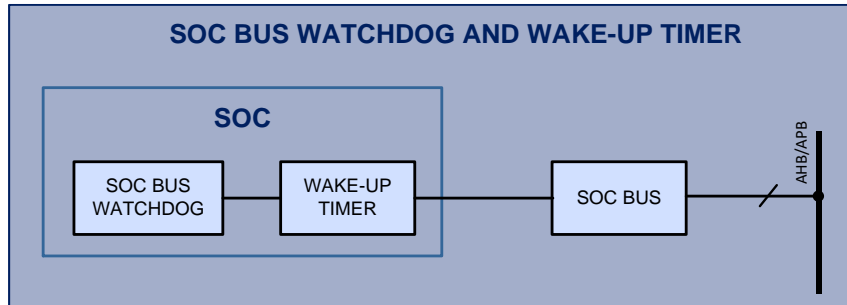
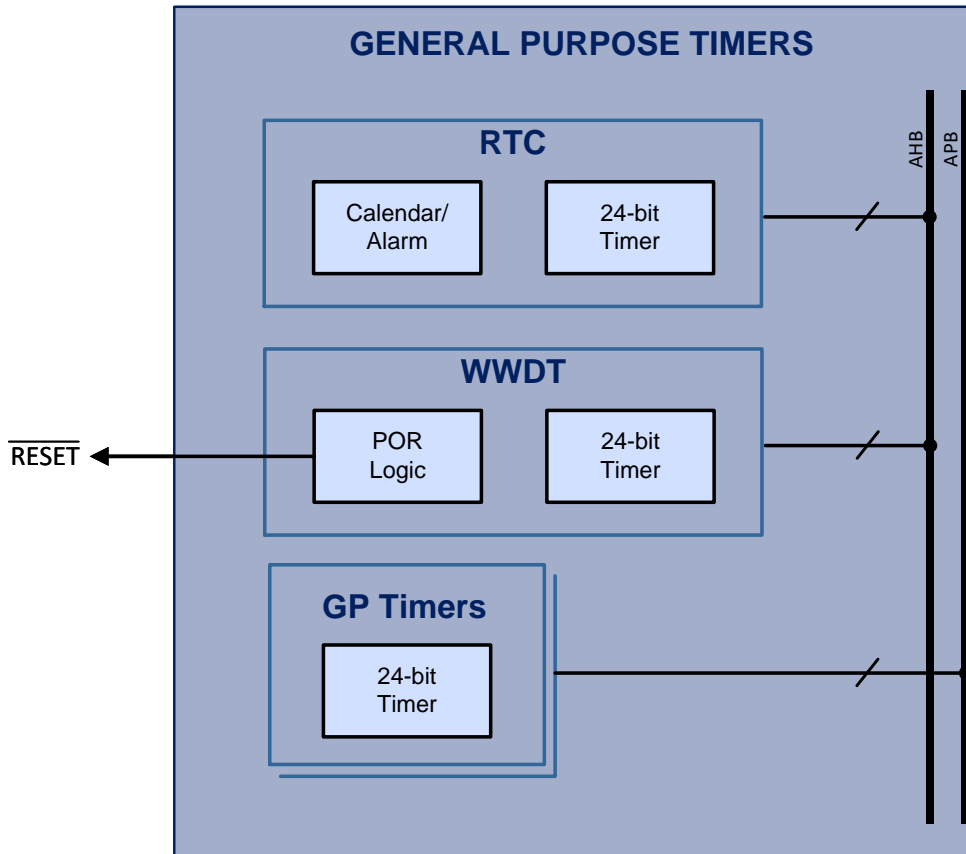


Figure 21-2 General Purpose Timers



21.2 Functional Description

21.2.1 SOC Bus Watchdog Timer

The SOC Bus Watchdog Timer is used to monitor internal SOC Bus communication. It will trigger a device reset if there is no SOC Bus communication to the AFE for 4s or 8s.

21.2.2 Wake-up Timer

The wake-up timer can be used for very low power hibernate and sleep modes to wake up the micro controller periodically. It can be configured to be 125ms, 250ms, 500ms, 1s, 2s, 4, or 8s.

21.2.3 Real-time Clock with Calendar (RTC)

The 24-bit real-time clock with calendar (RTC) is an AHB bus client and may also be used to measure long time periods and periodic wake up from sleep mode.

The RTC uses FRCLK as its clock source and has a divider that can be configured up to a /65536 input clock divider. In order to count accurately, the input clock divider must be configured to generate a 1MHz clock to the RTC.

The RTC counts the time (seconds, minutes, hours, days) since enabled. It also allows the user to set a calendar date to set an alarm function that can be configured to generate an interrupt to the NVIC when it counts to that value.

21.2.4 Windowed Watchdog Timer (WWDT)

The 24-bit windowed watchdog timer (WWDT) is an AHB bus client and can be used for long time period measurements or periodic wake up from sleep mode. Its primary use is to reset the system via a POR if it is not reset at a certain periodic interval.

The WWDT can be configured to use FRCLK or ROSCCLK as its clock source and has a divider that be configured up to a /65536 input clock divider.

The WWDT can be configured to allow only a small window when it is valid to reset the timer, to maximize application security and catch any stray code operating on the MCU.

The WWDT may be configured to enable an interrupt for the MCU, and the timer can be disabled when unused to save energy for low power operations.

21.2.5 GP Timer (GPT)

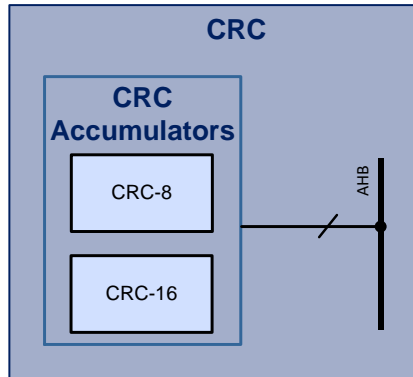
The PAC55XX contains two General Purpose (GP) Timers.

These timers are 24-bit timers and are both APB bus clients. These count-down timers use PCLK as their input clock and have a configurable divider of up to /32768. Each of the GPT can be configured to interrupt the MCU when they count down to 0.

22 CRC

22.1 Block Diagram

Figure 22-1 CRC Block Diagram



22.2 Functional Description

The CRC peripheral can perform CRC calculation on data through registers from the MCU to accelerate the calculation or validation of a CRC for communications protocols or data integrity checks.

The CRC peripheral allows the calculation of both CRC-8 and CRC-16 on data. The CRC peripheral also allows the user to specify a seed value, select the data input to be 8b or 32b and to reflect the final output for firmware efficiency.

The CRC peripheral is an AHB slave and has the following features:

- Polynomial selection via configuration register:
 - CCITT CRC-16 (0x1021)
 - IBM/ANSI CRC-16 (0x8005)
 - Dallas/Maxim CRC-8 (0x31)
- Input data width: 8b, 32b
- Reflect input
- Reflect output
- Specify seed value

23 THERMAL CHARACTERISTICS

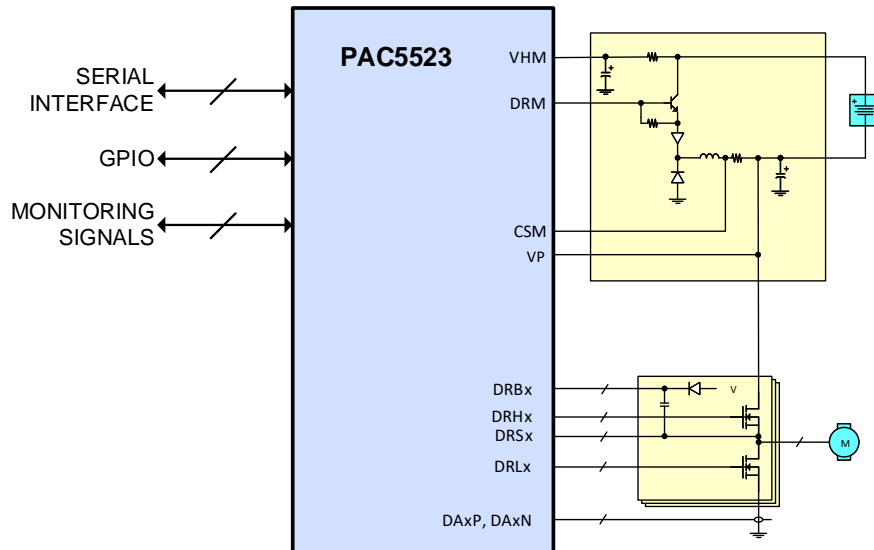
Table 23-1 Thermal Characteristics

PARAMETER	VALUE	UNIT
Operating ambient temperature range	-40 to 125	°C
Operating junction temperature range	-40 to 150	°C
Storage temperature range	-55 to 150	°C
Lead temperature (Soldering, 10 seconds)	300	°C
Junction-to-case thermal resistance (Θ_{JC})	2.897	°C/W
Junction-to-ambient thermal resistance (Θ_{JA})	23.36	°C/W

24 APPLICATION EXAMPLES

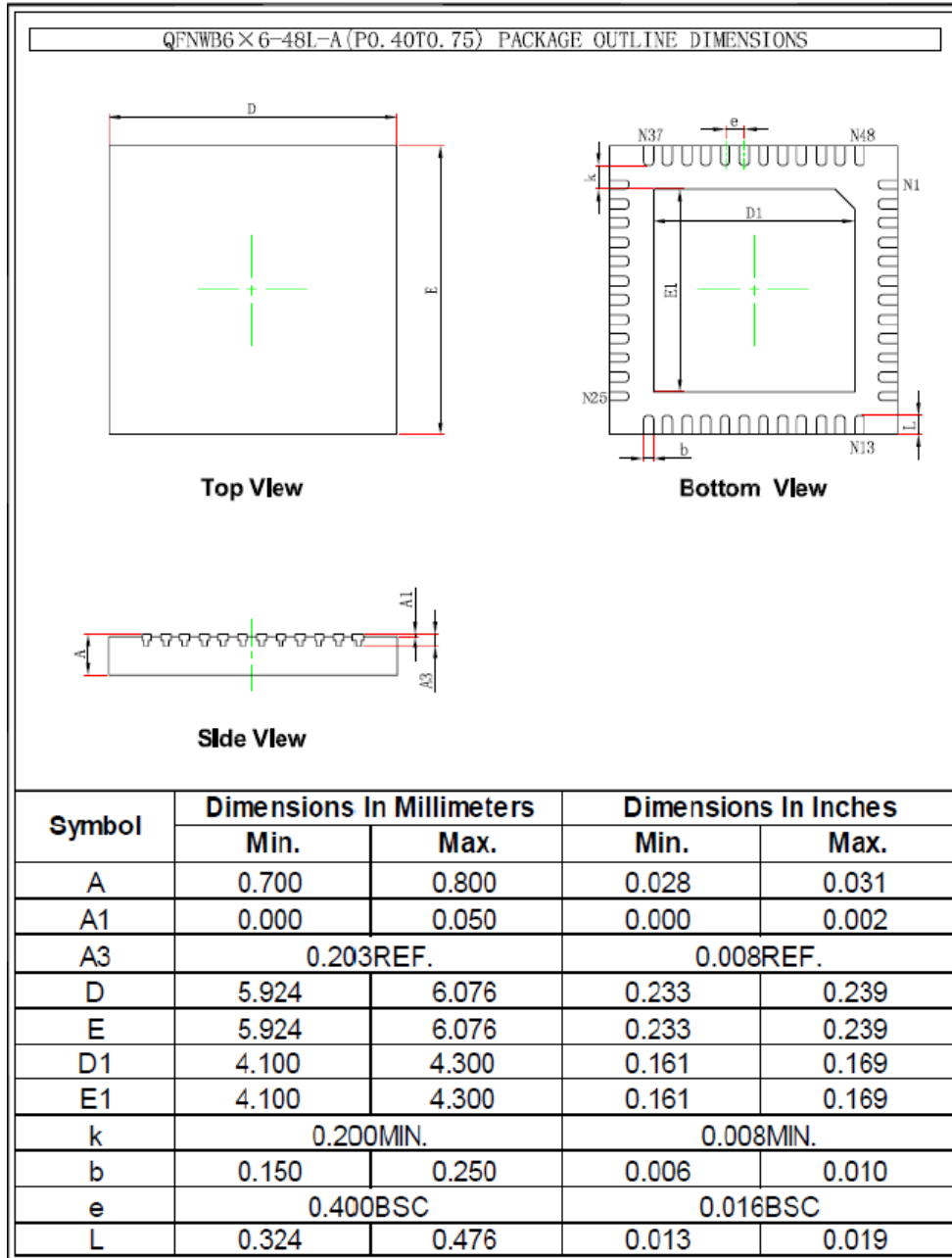
The following simplified diagram shows an example of a single-motor, low-voltage application using the PAC5523 device.

Figure 24-1 Sensorless FOC/BEMF Motor Drive Using PAC5523 (Simplified Diagram)



25 PACKAGE OUTLINE AND DIMENSIONS

Figure 25-1 TQFN66-48 Package Outline and Dimensions



26 LEGAL INFORMATION

Copyright © 2019 Active-Semi, Inc. All rights reserved.

All information provided in this document is subject to legal disclaimers.

Active-Semi reserves the right to modify its products, circuitry or product specifications without notice. Active-Semi products are not intended, designed, warranted or authorized for use as critical components in life-support, life-critical or safety-critical devices, systems, or equipment, nor in applications where failure or malfunction of any Active-Semi product can reasonably be expected to result in personal injury, death or severe property or environmental damage. Active-Semi accepts no liability for inclusion and/or use of its products in such equipment or applications. Active-Semi does not assume any liability arising out of the use of any product, circuit, or any information described in this document. No license, express, implied or otherwise, is granted under any patents, copyrights or other intellectual property rights of Active-Semi or others. Active-Semi assumes no liability for any infringement of the intellectual property rights or other rights of third parties which would result from the use of information contained herein. Customers should evaluate each product to make sure that it is suitable for their applications. Customers are responsible for the design, testing, and operation of their applications and products using Active-Semi products. Customers should provide appropriate design and operating safeguards to minimize the risks associated with their applications and products. All products are sold subject to Active-Semi's terms and conditions of sale supplied at the time of order acknowledgment. Exportation of any Active-Semi product may be subject to export control laws.

Active-Semi[®] and Power Application Controller[®] are registered trademarks of Active-Semi, Inc., Active-Semi logo, Solutions for Sustainability[™], Micro Application Controller[™], Multi-Mode Power Manager[™], Configurable Analog Front End[™], and Application Specific Power Drivers[™] are trademarks of Active-Semi, Inc.

Arm[®] and Cortex[®] are registered trademarks of ARM Limited. All referenced brands and trademarks are the property of their respective owners.

For more information on this and other products, contact sales@active-semi.com or visit www.active-semi.com.



Стандарт Электрон Связь

Мы молодая и активно развивающаяся компания в области поставок электронных компонентов. Мы поставляем электронные компоненты отечественного и импортного производства напрямую от производителей и с крупнейших складов мира.

Благодаря сотрудничеству с мировыми поставщиками мы осуществляем комплексные и плановые поставки широчайшего спектра электронных компонентов.

Собственная эффективная логистика и склад в обеспечивает надежную поставку продукции в точно указанные сроки по всей России.

Мы осуществляем техническую поддержку нашим клиентам и предпродажную проверку качества продукции. На все поставляемые продукты мы предоставляем гарантию .

Осуществляем поставки продукции под контролем ВП МО РФ на предприятия военно-промышленного комплекса России , а также работаем в рамках 275 ФЗ с открытием отдельных счетов в уполномоченном банке. Система менеджмента качества компании соответствует требованиям ГОСТ ISO 9001.

Минимальные сроки поставки, гибкие цены, неограниченный ассортимент и индивидуальный подход к клиентам являются основой для выстраивания долгосрочного и эффективного сотрудничества с предприятиями радиоэлектронной промышленности, предприятиями ВПК и научно-исследовательскими институтами России.

С нами вы становитесь еще успешнее!

Наши контакты:

Телефон: +7 812 627 14 35

Электронная почта: sales@st-electron.ru

Адрес: 198099, Санкт-Петербург,
Промышленная ул, дом № 19, литера Н,
помещение 100-Н Офис 331