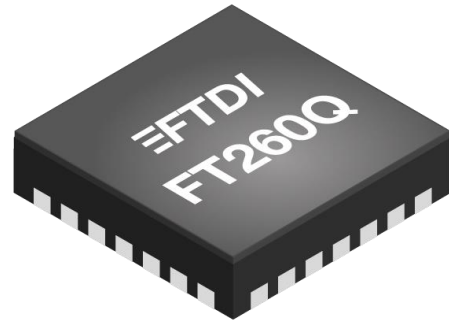


# Future Technology Devices International Ltd.

## FT260 (HID-class USB to UART/I<sup>2</sup>C Bridge IC)



FT260 is a HID-class USB to I<sup>2</sup>C/UART interface Device Controller with the following advanced features:

- Single chip USB to UART/I<sup>2</sup>C bridge with standard Human Interface Device (HID) class support
- USB2.0 compliant Full Speed device with entire USB protocol handled on the chip.
- Support 2 USB HID Interfaces, each corresponding to the on-chip physical interfaces, I<sup>2</sup>C and UART
- Pin configuration of enabling HID interface for variety of application
- HID over I<sup>2</sup>C specification support
- Configurable I<sup>2</sup>C Master Interface controller conforming to I<sup>2</sup>C v2.1 and v3.0 specification.
- Support 4 speed modes defined in I<sup>2</sup>C-bus Specification, standard mode (SM), fast mode (FM), Fast mode plus (FM+), and High Speed mode (HS)
- Robust FTDI UART controller with hardware and software flow control
- Data transfer rate from 1.2 Kbaud to 12 Mbaud (RS422, RS485, RS232) at TTL levels
- Configurable GPIOs can be easily controlled by software applications under HID class via the USB bus
- Fully integrated oscillator PLL with no external crystal required
- On-chip eFUSE for USB Vendor ID (VID), Product ID (PID), and other vendor specific parameters.
- Unique USB serial number generation engine and programming path to external EEPROM.
- Integrated 5V-3.3V-1.8V level converter for USB I/O.
- +5V USB VBUS detection engine
- USB Power Configurations; supports bus-powered, self-powered and bus-powered with power switching.
- USB2.0 Low operating and suspend current; 24mA (active-typ) and 385µA (suspend-typ).
- True 3.3V CMOS drive output and TTL input. (operates down to 1V8 with external pull-ups)
- Multiple I/O operating voltage level +3.3V, +2.5V, +1.8V
- pin output drive strength; 4 mA(min) and 16 mA(max)
- Integrated power-on-reset circuit.
- USB Battery Charger Detection.
- UHCI / OHCI / EHCI / XHCI host controller compatible.
- Extended operating temperature range; -40 to 85°C.
- Available in compact Pb-free 28 Pin WQFN or TSSOP packages (RoHS compliant).

Neither the whole nor any part of the information contained in, or the product described in this manual, may be adapted or reproduced in any material or electronic form without the prior written consent of the copyright holder. This product and its documentation are supplied on an as-is basis and no warranty as to their suitability for any particular purpose is either made or implied. Future Technology Devices International Ltd will not accept any claim for damages howsoever arising as a result of use or failure of this product. Your statutory rights are not affected. This product or any variant of it is not intended for use in any medical appliance, device or system in which the failure of the product might reasonably be expected to result in personal injury. This document provides preliminary information that may be subject to change without notice. No freedom to use patents or other intellectual property rights is implied by the publication of this document. Future Technology Devices International Ltd, Unit 1, 2 Seaward Place, Centurion Business Park, Glasgow G41 1HH United Kingdom. Scotland Registered Company Number: SC136640

## 1 Typical Applications

- HID class Device controller
- USB to HID-over-I2C Bridge
- USB to I<sup>2</sup>C master controller
- USB to RS232/RS422/RS485 Converters
- Interfacing MCU/PLD/FPGA based designs to USB
- USB Instrumentation

### 1.1 Driver Support

The USB Human Interface Device (HID) class is natively supported by most operation systems. A custom driver is not required to be installed for the FT260.

- Windows 10 32, 64-bit
- Windows 8.1 32, 64-bit
- Windows 8 32, 64-bit
- Windows 7 32, 64-bit
- Windows Vista and Vista 64-bit
- Windows XP and XP 64-bit
- Windows CE 4.2, 5.0, 5.2, 6.0
- Windows Server 2008, 2003, 2000
- Windows Embedded Operating Systems
- Mac OS X
- Linux
- Android

### 1.2 Part Numbers

Part Number	Package
FT260Q-x	28 Pin WQFN
FT260S-x	28 Pin TSSOP

Note: Packing codes for x is:

- R: Taped and Reel, 2,500pcs per reel
- T: Tray packing, 490pcs per tray (WQFN only)
- U: Tube packing, 50pcs per tube (TSSOP only)

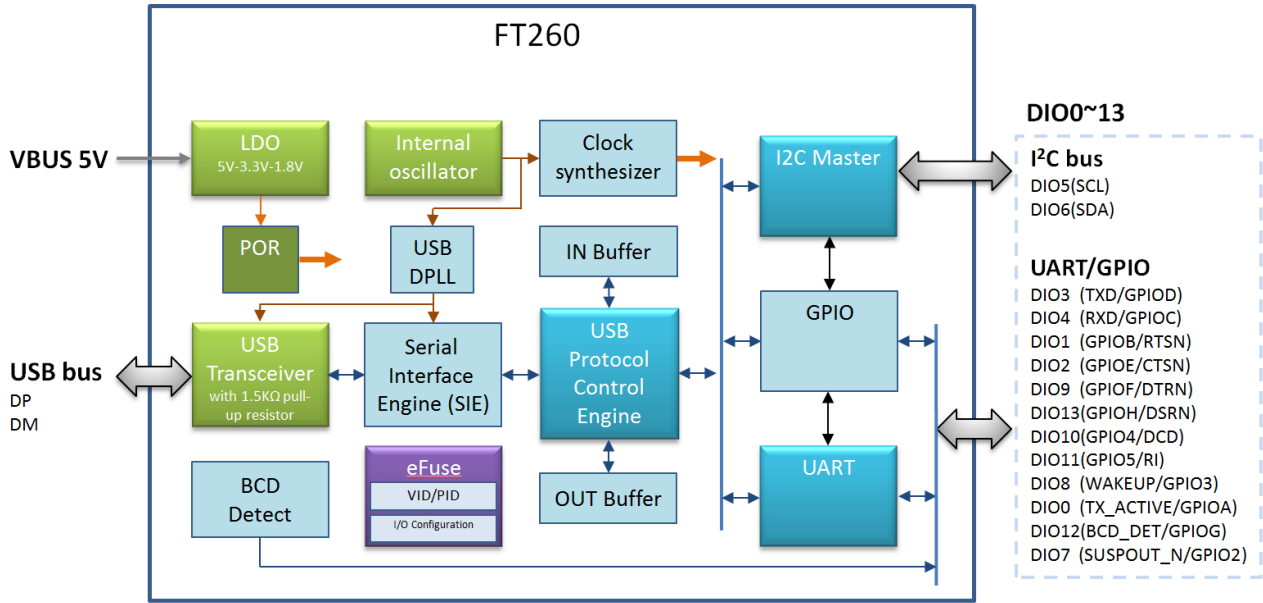
For example: FT260Q-R is 2,500pcs taped and reel packing

### 1.3 USB Compliant

The FT260 is fully compliant with the USB 2.0 specification and has been given the USB-IF Test-ID (TID) 40001720.



## 2 FT260 Block Diagram



**Figure 2.1 FT260 Block Diagram**

For a description of each function please refer to Function Description.

---

## Table of Contents

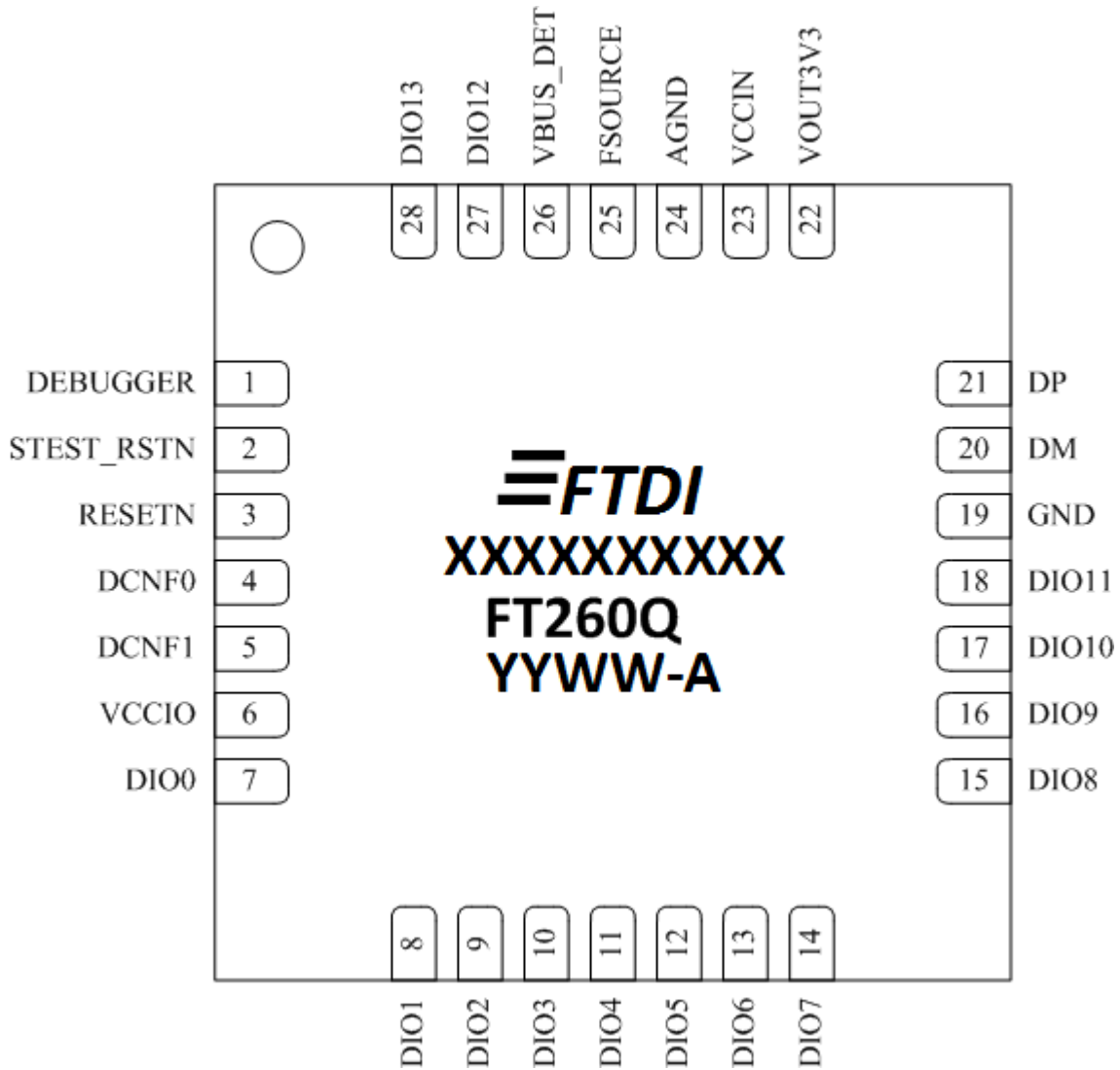
<b>1</b>	<b>Typical Applications .....</b>	<b>2</b>
1.1	Driver Support .....	2
1.2	Part Numbers.....	2
1.3	USB Compliant .....	3
<b>2</b>	<b>FT260 Block Diagram.....</b>	<b>4</b>
<b>3</b>	<b>Device Pin Out and Signal Description .....</b>	<b>7</b>
3.1	WQFN-28 Package Pin Out.....	7
3.2	TSSOP-28 Package Pin Out .....	8
3.3	Pin Description.....	9
<b>4</b>	<b>Function Description.....</b>	<b>12</b>
4.1	Key Features .....	12
4.2	Functional Block Descriptions .....	13
<b>5</b>	<b>FT260 Configuration and Bus Interfaces.....</b>	<b>17</b>
5.1	Device Interface Configuration .....	17
5.2	I <sup>2</sup> C Bus Interface .....	18
5.2.1	I <sup>2</sup> C Pin Definition .....	18
5.2.2	I <sup>2</sup> C Bus Protocol.....	18
5.2.3	I <sup>2</sup> C Slave Address .....	20
5.2.4	I <sup>2</sup> C Timing .....	20
5.3	UART Interface .....	22
5.3.1	UART Pin Definition .....	24
5.3.2	UART Bus Protocol .....	24
5.3.3	UART Flow Control .....	26
5.3.4	UART Timing .....	26
5.4	GPIOs .....	27
<b>6</b>	<b>Devices Characteristics and Ratings .....</b>	<b>28</b>
6.1	Absolute Maximum Ratings.....	28
6.2	ESD and Latch-up Specifications .....	28
6.3	DC Characteristics.....	29
6.4	USB Characteristics.....	33
<b>7</b>	<b>FT260 Power Configurations.....</b>	<b>34</b>
7.1	USB Bus Powered Configuration .....	34
7.2	Self Powered Configuration with 5V Source Input .....	35

---

<b>7.3</b>	<b>Self Powered Configuration with 3.3V Source In .....</b>	<b>36</b>
<b>7.4</b>	<b>Bus Powered Configuration with +1.8V/+2.5V I/O Voltage ...</b>	<b>37</b>
<b>7.5</b>	<b>Configuration for System Pins.....</b>	<b>38</b>
<b>7.6</b>	<b>Power for Programming eFUSE .....</b>	<b>39</b>
<b>8</b>	<b>Application Examples.....</b>	<b>40</b>
<b>8.1</b>	<b>USB HID-over-I2C.....</b>	<b>40</b>
<b>8.2</b>	<b>USB to RS232 Converter .....</b>	<b>41</b>
<b>8.3</b>	<b>USB to RS485 Converter .....</b>	<b>42</b>
<b>8.4</b>	<b>USB to RS422 Converter .....</b>	<b>43</b>
<b>9</b>	<b>User Configuration.....</b>	<b>44</b>
<b>9.1</b>	<b>Programming the embedded eFUSE over USB.....</b>	<b>44</b>
9.1.1	Default Values.....	44
<b>9.2</b>	<b>Programming the external EEPROM over USB.....</b>	<b>47</b>
9.2.1	Supported EEPROM Spec .....	47
9.2.2	Default Values.....	48
<b>10</b>	<b>Package Parameters .....</b>	<b>51</b>
<b>10.1</b>	<b>WQFN-28 Package Mechanical Dimensions .....</b>	<b>51</b>
<b>10.2</b>	<b>WQFN-28 Package Markings .....</b>	<b>52</b>
<b>10.3</b>	<b>TSSOP-28 Package Mechanical Dimensions.....</b>	<b>53</b>
<b>10.4</b>	<b>TSSOP-28 Package Markings.....</b>	<b>54</b>
<b>10.5</b>	<b>Solder Reflow Profile.....</b>	<b>55</b>
<b>11</b>	<b>Contact Information .....</b>	<b>56</b>
<b>Appendix A – References .....</b>	<b>57</b>	
Document References .....	57	
Acronyms and Abbreviations.....	58	
<b>Appendix B - List of Figures and Tables .....</b>	<b>59</b>	
List of Figures .....	59	
List of Tables.....	59	
<b>Appendix C - Revision History .....</b>	<b>61</b>	

### 3 Device Pin Out and Signal Description

#### 3.1 WQFN-28 Package Pin Out



**Figure 3.1 Pin Configuration WQFN-28 (top-down view)**

### 3.2 TSSOP-28 Package Pin Out

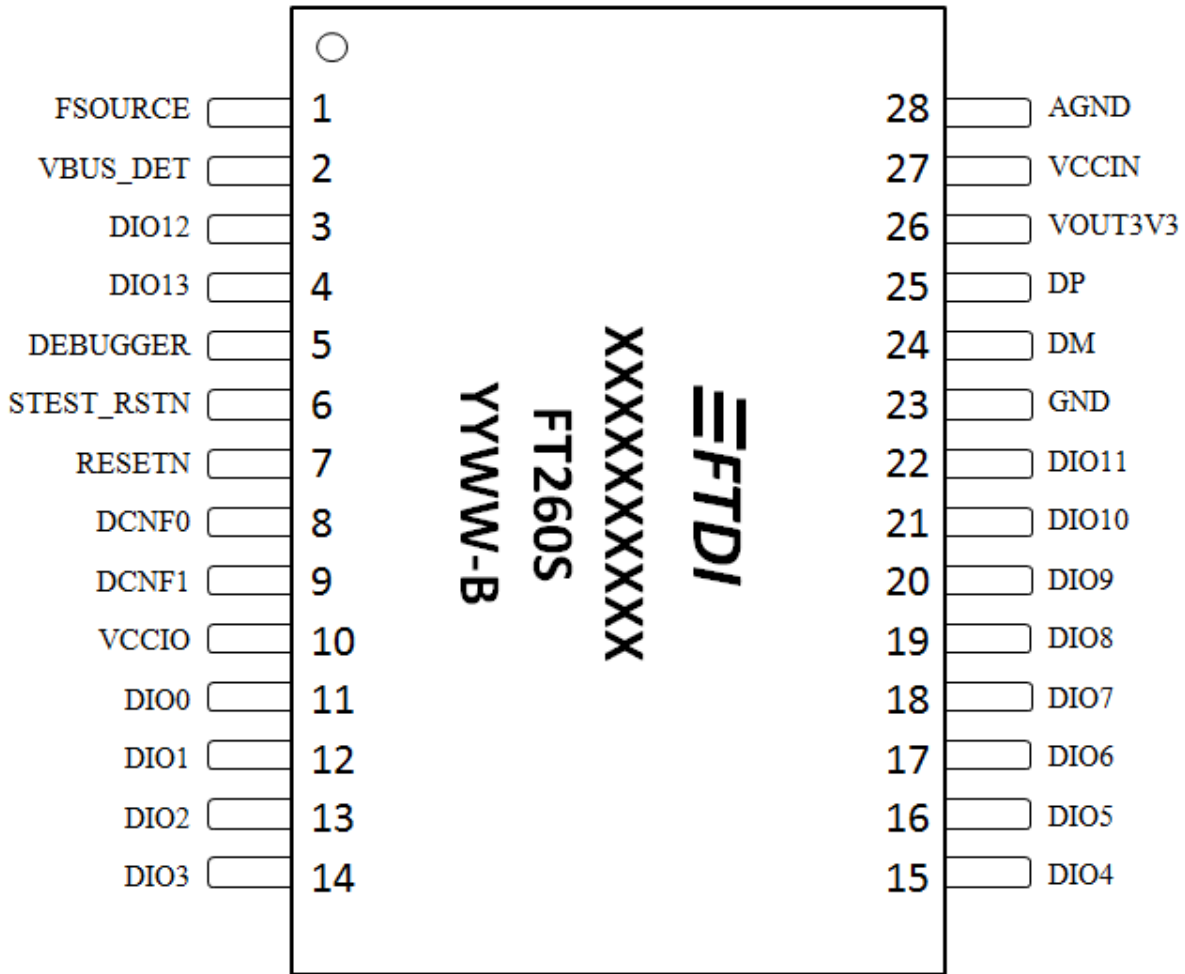


Figure 3.2 Pin Configuration TSSOP-28 (top-down view)



### 3.3 Pin Description

FT260Q Pin No.	FT260S Pin No.	Pin Name (Function)	Type	Description
1	5	<b>DEBUGGER</b>	<b>I/O</b>	Debugging pin. Should be reserved and tied to high
2	6	<b>STEST_RSTN</b>	<b>I</b>	Chip reset input for test mode. Active low. Should be reserved and tied to high.
3	7	<b>RESETN</b>	<b>I</b>	Chip reset input. Active low. Can be tied to high if external reset function is not required.
4	8	<b>DCNF0</b>	<b>I</b>	Device Interface Configuration Selection bit-0 for the HID interface selection. Refer to Section 5.1
5	9	<b>DCNF1</b>	<b>I</b>	Device Interface Configuration Selection bit-1 for the HID interface selection. Refer to Section 5.1
6	10	<b>VCCIO</b>	<b>P **</b>	+3.3V/2.5V/1.8V supply voltage. This is the supply voltage for all the I/O ports. This pin shall be connected to VOUT3V3(pin 22/26) when I/O ports are working at 3.3V
7	11	<b>DIO0</b> ( TX_ACTIVE / TX_LED / GPIOA )	<b>I/O</b> O O I/O	DIO0, Digital Input/Output Pin 0. This pin can be configured as one of the following three functions via embedded eFUSE or external EEPROM. TX_ACTIVE is set as the default function to indicate the UART transmitting is active.- TX_LED is set as the LED driving source when data is transmitted on UART TX port. GPIOA, General Purpose I/O. GPIOA is another optional function.
8	12	<b>DIO1</b> ( GPIOB / RTSN )	<b>I/O</b> I/O O	DIO1, Digital Input/Output Pin 1. GPIOB, General Purpose I/O. is set as the default function. RTSN, Request To Send Handshake, can be enabled via a USB command for the UART interface.
9	13	<b>DIO2</b> ( GPIOE / CTSN )	<b>I/O</b> I/O I	DIO2, Digital Input/Output Pin 2. GPIOE, General Purpose I/O. is set as the default function. CTSN, Clear To Send Handshake, can be enabled via a USB command for the UART interface.
10	14	<b>DIO3</b> ( RXD / GPIOC )	<b>I/O</b> I I/O	DIO3, Digital Input/Output Pin 3. RXD, Receive Asynchronous Data Input, is set as default function when the UART interface is selected via {DCNF1, DCNF0}. GPIOC, General Purpose I/O, is set as the default function when UART interface is not configured.
11	15	<b>DIO4</b> ( TXD / GPIOD )	<b>I/O</b> O I/O	DIO4, Digital Input/Output Pin 4. TXD, Transmit Asynchronous Data Output, is set as default when the UART interface is selected via {DCNF1, DCNF0}. GPIOD, General Purpose I/O, is set as default when the UART interface is not configured.
12	16	<b>DIO5</b>	<b>I/O</b>	DIO5, Digital Input/Output Pin 5.

FT260Q Pin No.	FT260S Pin No.	Pin Name (Function)	Type	Description
		( SCL / GPIO0 )	I/O I/O	SCL, Serial clock for I <sup>2</sup> C bus with open drain output, is set as the default function GPIO0, General Purpose I/O. GPIO0 is another optional function and can be enabled via a USB command.
13	17	<b>DIO6</b> ( SDA / GPIO1 )	<b>I/O</b> I/O I/O	DIO6, Digital Input/Output Pin 6. SDA, Serial data for I <sup>2</sup> C mode with open drain output, is set as the default function. GPIO1, General Purpose I/O. GPIO1 is another optional function and can be enabled via a USB command.
14	18	<b>DIO7</b> ( SUSPOUT_N / PWREN_N / GPIO2 )	<b>I/O</b> O O I/O	DIO7, Digital Input/Output Pin 7. This pin can be configured as one of the following three functions via embedded eFUSE or external EEPROM. SUSPOUT_N is set as the default function as the indicator when entering the USB suspending state. __N means active low. This indicator can also be configured as active high via EEPROM and symbolled as SUSPOUT. PWREN_N is as the power enable indicator when the FT260 is USB enumerated. Active low. GPIO2, General Purpose I/O. GPIO2 is another optional function and can be enabled.
15	19	<b>DIO8</b> ( INTRIN / WAKEUP / GPIO3 )	<b>I/O</b> I I I/O	DIO8, Digital Input/Output Pin 8. INTRIN is the default function as the external interrupt input source WAKEUP functions as the USB remote wakeup input source. GPIO1, General Purpose I/O. GPIO1 is another optional function and can be enabled via a USB command.
16	20	<b>DIO9</b> ( GPIOF / DTRN )	<b>I/O</b> I/O O	DIO9, Digital Input/Output Pin 9. GPIOF, General Purpose I/O. is set as the default function. DTRN, Data Terminal Ready, can be enabled via a USB command for the UART interface.
17	21	<b>DIO10</b> ( GPIO4 / DCD )	<b>I/O</b> I/O I	DIO10, Digital Input/Output Pin 10. GPIO4, General Purpose I/O, is set as the default function. DCD, Data Carrier Detection, can be enabled via a USB command for the UART interface.
18	22	<b>DIO11</b> ( GPIO5/ RI )	<b>I/O</b> I/O I	DIO11, Digital Input/Output Pin 11. GPIO5, General Purpose I/O, is set as the default function. RI, Ring Indicator, can be enabled via a USB command for the UART interface. RI may be used as an alternative to WAKEUP for waking up the USB host. WAKEUP feature accompanied with RI can be enabled via the parameter defined in an external EEPROM.
19	23	<b>GND</b>	<b>P</b>	Ground
20	24	<b>DM</b>	<b>AI/O</b>	USB peripheral bidirectional DM line.
21	25	<b>DP</b>	<b>AI/O</b>	USB peripheral bidirectional DP line.
22	26	<b>VOUT3V3</b>	<b>P **</b>	+3.3V voltage Out May be used to power VCCIO. When VCCIN is supplied with 3.3V, this

FT260Q Pin No.	FT260S Pin No.	Pin Name (Function)	Type	Description
				pin is a power input pin and should be connected to pin 23 / 27.
23	27	<b>VCCIN</b>	<b>P **</b>	+5.0V(or 3.3V) supply voltage In Power source-in to embedded regulator.
24	28	<b>AGND</b>	<b>P</b>	Analog Ground
25	1	<b>FSOURCE</b>	<b>AP</b>	+3.8V supply voltage In Power source for programming embedded eFUSE. It should be kept floating or 0V when not in programming mode
26	2	<b>VBUS_DET</b>	<b>I</b>	VBUS detection input. It is a +5.0V tolerant pin
27	3	<b>DIO12</b> ( BCD_DET/ RX_LED/ PWREN_N/ GPIOG )	<b>I/O</b> O O O I/O	DIO12, Digital Input/Output Pin 12. This pin can be configured as one of the following three functions via embedded eFUSE or external EEPROM. BCD_DET is the default function as the battery charger detection indicator output when the device is connected to a dedicated battery charger port. Polarity can be defined. RX_LED is as the LED driving source when data is received on UART RX port. PWREN_N is as the power enable indicator when FT260 is USB enumerated. Low active. GPIOG, General Purpose I/O, is another optional function.
28	4	<b>DIO13</b> GPIOH/ DSRN	<b>I/O</b> I/O I	DIO13, Digital Input/Output Pin 13. GPIOH, General Purpose I/O, is set as the default function DSRN, Data Set Ready, can be enabled via USB command for UART interface.

**Table 3.1 FT260 Pin Description**

\*\*If VCCIN is supplied with 3.3V power input, then VOUT3V3 and VCCIO must also be driven with this 3.3V power source. For details refer to Section 7.3.

## 4 Function Description

The FT260 is a USB device which supports I<sup>2</sup>C and UART communication through standard USB HID class interfaces. The USB HID class is natively supported by most operating systems. A custom driver is not required to be installed for the FT260.

### 4.1 Key Features

**Highly Functional Integration.** FT260 is highly integrated, with a USB2.0 compliant full-speed transceiver, oscillator PLL as the source of the operating clock, LDO regulator for full chip operating power source, eFUSE for basic customization and automatic scanning mechanism of EEPROM for advanced customization. It also includes Power-On-Reset (POR) and VBUS detection input with 5V-tolerance. These embedded functions simplify external circuit design and reduce external component count.

**HID class USB to I<sup>2</sup>C/UART Bridge.** FT260 provides the bridge function between standard a USB HID class driver and an I<sup>2</sup>C slave device and/or UART device. The standard USB HID class driver is natively supported by most operating systems meaning the FT260, does not need a customized driver to be installed. The USB HID class exchanges data between a host and a device by HID reports, which are the actual data blobs follow HID format, and the application developers have to communicate with the FT260 via the HID reports. Please refer to Application Notes for detail formats. In order to help the developers, FTDI also provides a Windows DLL with easy-to-use API for FT260 application development.

There are 2 USB interfaces corresponding to HID class in the FT260. One is for the I<sup>2</sup>C bus and the other is for the UART bus. These two interfaces can exist concurrently and can be selected independently according to the application. For each interface, there exists one Interrupt IN pipe and Interrupt OUT pipe with a max packet size equal to 64 bytes. With the fastest polling frequency, one time in 1 ms, the Interrupt pipes can operate with maximum data throughput up to 64kB/sec. Users can also utilize the HID class commands through the Control pipe to configure the setting and to control the functions in the FT260. Digital function pins can be programmed as GPIO and can be controlled by HID class commands through Endpoint 0.

The I<sup>2</sup>C bus can run at common I<sup>2</sup>C bus speeds, standard mode (SM), fast mode (FM), Fast mode plus (FM+), and High Speed mode (HS). A higher bit rate on the I<sup>2</sup>C bus is also configurable up to 3Mbit/s. Clock stretching is supported to conform to v2.1 and v3.0 of the I<sup>2</sup>C specification. The default configuration is for standard mode speed (SM). All the configurable settings can be changed over USB before the I<sup>2</sup>C bus starts any transferring.

The robust FTDI UART bus is embedded in the FT260. The baud rate can be supported from 1200 baud to 12M baud. RTSN/CTS, DSRN/DTRN and XON/XOFF handshaking options are also supported and can be enabled by associated APIs defined in the DLL for the FT260. Data can be received from the RX pin and delivered to the HID driver via the Interrupt IN pipe. Data can also be delivered from the USB host through the Interrupt OUT pipe and transmitted on to the TX pin.

An remote wake up function is also supported. If the operating system supports remote wake up and allows external hardware to wake it, the FT260 can be resumed by the pin DIO8 which is set by default as WAKEUP triggering a resume signal on USB bus to wake up USB host. DIO11 can also be a remote wake up source when the pin function is set as RI and the parameter, RI as Wake-Up; defined in external EEPROM is enabled.

**HID over I<sup>2</sup>C Bridge** Human Interface Device (HID) is one of the most popular USB devices. It was a protocol developed to simplify the process of connecting accessories such as mouse, keyboard and touchpad to the PC. HID was originally developed to run over USB or Bluetooth. For Windows 8, Microsoft created a new device type called "HID over I<sup>2</sup>C", which allows the device to communicate HID protocol over an Inter-Integrated Circuit (I<sup>2</sup>C) bus. The new "HID over I<sup>2</sup>C" devices are only supported natively by Microsoft Windows 8 or above.

The FT260 provides a bridge which connects a "HID-over-I<sup>2</sup>C" device via an I<sup>2</sup>C bus, helps to translate USB HID requests from a PC to the device, and makes it work as a normal USB HID class device. With the FT260, an I<sup>2</sup>C slave function compliant to HID-over-I<sup>2</sup>C protocol can directly communicate to USB HID class driver through the USB connection.

**Configurable Settings for Customization.** An electrical poly-fuse (eFUSE) is embedded in the FT260. This embedded eFUSE provides the configurable settings of the Vendor Specific Parameters for basic customization. These Vendor Specific Parameters are the settings about USB, I/O and HID-over-I<sup>2</sup>C. Users can utilize this embedded eFUSE to achieve basic customization.

For advanced settings, the FT260 also reserves the programming interface of an external EEPROM via an I<sup>2</sup>C interface to record the Vendor Specific Parameters. The FT260 will automatically scan for the presence of an EEPROM. (See Supported EEPROM Spec for suitable devices). When the FT260 is powered up, these Vendor Specific Parameters will be automatically loaded and the FT260 will operate with the parameter setting. When both eFUSE and EEPROM exist at the same time, the Vendor Specific Parameters in the EEPROM will dominate. Both eFUSE and EEPROM can be programmed using the FTDI utility software called FT\_PROG, which can be downloaded from the FTDI Utilities page on the FTDI website

([http://www.ftdichip.com/Support/Utilities.htm#FT\\_Prog](http://www.ftdichip.com/Support/Utilities.htm#FT_Prog)).

**Configurable Digital I/Os.** There are 14 digital pins in the FT260 that can be configured for different purposes, such as UART/I<sup>2</sup>C bus signals, General Purpose Input/Output (GPIO), LED indicator for data transfer over UART, a USB suspend indicator output, remote wake up input, an interrupt input or power enable indicator. Functions for each pin will be determined during Chip Configuration, with parameters from the eFUSE or EEPROM, or via USB commands.

The signal drive strength of these Digital I/Os can be configured via the FT\_Prog utility for different design needs.

**Power management.** The operating clock for the FT260 can be set as 48MHz, 24MHz, 12MHz. Higher operating frequencies allow higher data throughput. And, lower operating frequencies allow lower power consumption. IDLE mode is also supported and can be enabled via the parameters in eFUSE or EEPROM. The system operating clock will be switched to 30 kHz when no data is transferred between USB and I<sup>2</sup>C/UART bus for a period of 5 seconds. Any UART RX signalling will trigger the whole chip exiting from the IDLE mode to normal operating status.

USB suspend/resume and remote wakeup are fully supported. The FT260 will be set to a power saving status and the clock to most of the digital circuits will be stopped when the device is suspended.

**Source Power and Power Consumption.** The FT260 is capable of operating with a voltage supply of +3.3V or +5.0V with a nominal operational mode current of 24mA, a nominal idle mode current of 5.6mA and a nominal USB suspend mode current of 405µA. This allows greater margin for peripheral designs to meet the USB suspend mode current limit of 2.5mA. An integrated level converter within the FT260 allows the device to interface with logic running at +1.8V, 2.5V or +3.3V. (Note: External pull-ups are recommended for IO <3V3).

## 4.2 Functional Block Descriptions

The following paragraphs detail each function within the FT260. Please refer to the block diagram shown in Figure 2.1 .

**Internal Oscillator.** The Internal Oscillator cell generates a 48MHz reference clock. With internal trimming mechanisms and an adaptive algorithm, this oscillator provides a stable clock source to the USB DPLL block for generating a recovered clock to Clock Synthesizer block for functional operating.

**Clock Synthesizer.** The Clock Synthesizer takes the 48MHz clock from the Internal Oscillator and

generates 48MHz, 24MHz and 12MHz as reference clocks. The user can select one of these reference clocks as the system operating clock through software over USB. The system operating clock will be the clock source for embedded functions to generate the required interface clock. Higher frequencies should be chosen for higher data throughput demand and lower frequencies for lower power operation. Users can choose the system operating frequency based on the application.

**USB Transceiver.** The USB Transceiver cell provides the USB 1.1 / USB 2.0 full-speed physical interface. Output drivers provide +3.3V level slew rate control, while a differential input and two single ended input receivers provide data in, Single-Ended-0 (SE0) and USB reset detection conditions respectfully. A 1.5k $\Omega$  pull up resistor on USBDP is incorporated.

**USB DPLL.** The DPLL cell locks on to the incoming NRZI USB data and generates recovered clock and data signals for the Serial Interface Engine (SIE) block.

**Serial Interface Engine (SIE).** The Serial Interface Engine (SIE) block performs the parallel to serial and serial to parallel conversion of the USB data. In accordance with the USB 2.0 specification, it performs bit stuffing/un-stuffing and CRC5/CRC16 generation. It also checks the CRC on the USB data stream.

**USB HID Protocol Engine.** The USB HID Protocol Engine manages the standard commands from the device control pipe when enumerating. It also handles the Human Interface Device (HID) class commands between the standard HID host driver and the device with I<sup>2</sup>C or/and UART functions. With the Device Interface Configuration pins, DCNF0 and DCNF1, it can easily connect HID functions via UART or I<sup>2</sup>C interfaces to a PC host driver. Additionally, it can simultaneously support 2 HID functions via UART and I<sup>2</sup>C interfaces. This Protocol Engine also includes an IN and OUT Buffer management memory unit which handles the data between USB endpoints and function interfaces such as UART and I<sup>2</sup>C.

The USB HID Protocol Engine includes:

- Endpoint-0 for a control pipe with max packet size 64 Bytes
- 2 endpoints for interrupt-in pipe with max packet size equal to 64 Bytes
- 2 endpoints for interrupt-out pipe with max packet size up to 64 Bytes
- Multiple interfaces configuration support
- HID class-specific request parsing and transporting to I<sup>2</sup>C/UART bus interface
- command Suspend detection and power management
- Remote wake-up support
- Fully compatible to USB2.0 specification requirement in full speed mode

**OUT Buffer.** Data sent from the USB host controller to the FT260 via the USB data OUT endpoint is stored in the OUT buffer. Data is removed from the OUT buffer to function interfaces under the control of the USB HID protocol engines. The endpoint buffer size is 64 bytes as the maximum packet size defined for full speed transferring. For the interrupt pipe, the buffer is double buffered for increased throughput.

**IN Buffer.** Data from the function interfaces is stored in the IN buffer. The USB host controller removes data from the IN buffer by sending a USB request for data from the device data IN endpoint. The endpoint buffer size is 64 bytes as the maximum packet size defined for full speed transferring. For the interrupt pipe, the buffer is double buffered for increased throughput.

**UART Controller.** When the data and control bus are configured in UART mode, the interface implements a standard asynchronous serial UART port with flow control. The UART performs asynchronous 7/8 bit Parallel to Serial and Serial to Parallel conversion of the data on the RS232 (RS422 and RS485) interface. Control signals supported by the UART include RTS, CTS, DTR, DSR, DCD and RI.

The UART provides a transmitter enable control signal (TX\_ACTIVE) on the pin DIO0 to assist with interfacing to RS485 transceivers. The UART can support baud rates from 1.2 Kbaud to 12 Mbaud.

UART in the FT260 functions include:

- Full RS232 support
- 7 or 8 data bits, an optional parity bit and 1 or 2 stop bits support
- Baud rate from 1.2 Kbaud to 12 Mbaud support
- Baud rate accuracy within +-1.5%
- Optional hardware flow control via RTS / CTS and DTR / DSR
- Optional software flow control via XON / XOFF characters

**I<sup>2</sup>C Master Controller.** I<sup>2</sup>C (Inter Integrated Circuit) is a multi-master serial bus invented by Philips. I<sup>2</sup>C uses two bi-directional open-drain wires called serial data (SDA) and serial clock (SCL). Common I<sup>2</sup>C bus speeds are the standard mode (SM) with bit rate up to 100 Kbit/s, fast mode (FM) with the bit rate up to 400 Kbit/s, Fast mode plus (FM+) with the bit rate up to 1 Mbit/s, and High Speed mode (HS) with the bit rate up to 3.4 Mbit/s. Refer to the I<sup>2</sup>C specification for more information on the protocol.

The FT260 device can operate as I<sup>2</sup>C master, and the major functions include:

- Fully compatible to v2.1 and v3 specification
- 7-bit address support
- Support 4 speed configurations defined in I<sup>2</sup>C-bus specification
- Support bit rate up to 3Mbit/s
- Clock stretching support

**GPIOs.** The FT260 contains 14 digital function pins. Each pin can be set as I<sup>2</sup>C/UART related function or GPIO (General Purpose Input/Output). Some GPIO functions are implemented in the FT260 for various applications like TX\_ACTIVE, TX\_LED, RX\_LED for UART; SUSPOUT\_N, WAKEUP for USB; PWREN and BCD\_DET indicator for power management. GPIO functions can also be directly controlled by applications over USB via the Control pipe. The drive strength, slew rate control and pull high/low resistors can be configured in the Vendor Specific Parameters defined in embedded eFUSE or external EEPROM by FT\_PROG.

GPIO functions for each pin in the FT260 include:

- DIO0 (pin 7 @ WQFN28) can be configured as TX\_ACTIVE, TX\_LED, GPIOA
- DIO1 (pin 8 @ WQFN28) will be set as GPIOB function by default
- DIO2 (pin 9 @ WQFN28) will be set as GPIOE function by default
- DIO3 (pin 10 @ WQFN28) will be set as GPIOC function by default when the UART interface is not enabled
- DIO4 (pin 11 @ WQFN28) will be set as GPIOD function by default when the UART interface is not enabled
- DIO5 (pin 12 @ WQFN28) can be set as GPIO0 function when the I<sup>2</sup>C interface and external EEPROM are not supported
- DIO6 (pin 13 @ WQFN28) can be set as GPIO1 function when the I<sup>2</sup>C interface and external EEPROM are not supported
- DIO7 (pin 14 @ WQFN28) can be configured as SUSPOUT\_N, SUSPOUT, PWREN\_N, GPIO2

- DIO8 (pin 15 @ WQFN28) can be configured as WAKEUP, GPIO3
- DIO9 (pin 16 @ WQFN28) will be set as GPIOF function by default
- DIO10 (pin 17 @ WQFN28) will be set as GPIO4 function by default
- DIO11 (pin 18 @ WQFN28) will be set as GPIO5 function by default
- DIO12 (pin 27 @ WQFN28) can be configured as BCD\_DET, RX\_LED, PWREN\_N and GPIOG
- DIO13 (pin 28 @ WQFN28) will be set as GPIOH function by default

**eFUSE Controller + Internal eFUSE.** The internal eFUSE (electrical poly fuse) provides storage for the Vendor Specific Parameters. These Vendor specific Parameters are for the purpose of cost-effective customization. When FT260 is powered up, all the parameters will be automatically loaded into and taken effective before operation. The embedded eFUSE can be programmed over USB with an external voltage requirement on the pin FSOURCE with 3.8V power source. These parameters can be programmed using the FTDI utility software called FT\_PROG, which can be downloaded from FTDI Utilities on the FTDI website ([http://www.ftdichip.com/Support/Utilities.htm#FT\\_Prog](http://www.ftdichip.com/Support/Utilities.htm#FT_Prog)).

Vendor Specific Parameters in eFUSE include:

- USB Vendor ID (VID), Product ID (PID), power type selection
- DIO0, DIO7, DIO12 function selection
- Digital pins driving strength selection (4mA, 8mA, 12mA, 16mA)
- HID-over-I<sup>2</sup>C Slave Address
- HID-over-I<sup>2</sup>C Interrupt type
- HID-over-I<sup>2</sup>C SET\_/GET\_IDLE, SET\_/GET\_PROTOCOL, SET\_POWER enable control

For further details refer to section 9.1.

**5V-3.3V-1.8V LDO regulator.** The LDO will regulate out 2 reference voltages for use within the FT260. The +3.3V LDO regulator generates the +3.3V reference voltage for driving the USB transceiver cell output buffers. It requires an external decoupling capacitor to be attached to the VOUT3V3 regulator output pin. Another +1.8V LDO regulator generates the +1.8V reference voltage for driving the internal core of the IC.

**POR RESET Generator.** POR is the integrated Power on Reset Generator Cell providing a reliable power-on reset to the device internal circuitry at power up. There is also a RESETN input pin allowing an external device to reset the FT260. RESETN can be tied to VCCIO (+3.3v) if not being used.

**Embedded BCD Detection.** Supports Battery Charger Detection. When the pin DIO12 is set as BCD\_DET function, it will be active if the device is connected to a dedicated charger instead of a standard USB Host.



## 5 FT260 Configuration and Bus Interfaces

### 5.1 Device Interface Configuration

The FT260 has 2 HID interfaces and can be selected by {DCNF1, DCNF0}. The first HID Interface is for the bridge function from USB HID driver to I<sup>2</sup>C bus interface. And, the second HID Interface is for the bridge function from USB HID driver to UART bus interface. The following table shows the USB interfaces corresponding to the chip configuration mode.

DCNF1	DCNF0	HID Interfaces
0	0	Both interfaces for I <sup>2</sup> C and UART are enabled. Interfaces will be created as : - Interface-0 is set as the interface for I <sup>2</sup> C to send and receive data via I <sup>2</sup> C connection - Interface-1 is set as the interface for UART to send and receive data via UART connection - DIO3 and DIO4 are set as RXD and TXD for UART by default
0	1	Only the interface for I <sup>2</sup> C is enabled. The interface will be created as : - Interface-0 is set as the interface for I <sup>2</sup> C to send and receive data via an I <sup>2</sup> C connection - DIO3 and DIO4 are set as GPIO functions by default.
1	0	Only the interface for UART is enabled. The interface will be created as : - Interface-0 is set as the interface for UART to send and receive data via a UART connection - DIO3 and DIO4 are set as RXD and TXD for UART by default
1	1	Both Interfaces for I <sup>2</sup> C and UART are enabled. Interfaces will be created as : - Interface-0 is set as the interface for I <sup>2</sup> C to send and receive data via an I <sup>2</sup> C connection - Interface-1 is set as the interface for UART to send and receive data via a UART connection - DIO3 and DIO4 are set as RXD and TXD for UART by default

**Table 5.1 FT260 USB Device Interface Configuration**

Note that the default functions for the pins, GPIOC and GPIOD, will be determined by Device Interface Configuration. When the interface for UART is enabled, the pin DIO3 is assigned as RXD for UART and DIO4 is assigned as TXD for UART.

DIO5 and DIO6 are default designed as SCL and SDA for the I<sup>2</sup>C bus. It means that the I<sup>2</sup>C master controller is enabled by default no matter if the interface for I<sup>2</sup>C is enabled or not. Users can set the DIO5 and DIO6 as the GPIO functions via USB commands if the interface for the I<sup>2</sup>C is disabled and connectivity to the external I<sup>2</sup>C devices is not required.

## 5.2 I<sup>2</sup>C Bus Interface

I<sup>2</sup>C (Inter Integrated Circuit) is a multi-master serial bus invented by Philips. I<sup>2</sup>C uses two bi-directional open-drain wires called serial data (SDA) and serial clock (SCL). Common I<sup>2</sup>C bus speeds are standard mode (SM) with a bit rate up to 100 Kbit/s, fast mode (FM) with a bit rate up to 400 Kbit/s, Fast mode plus (FM+) with a bit rate up to 1 Mbit/s, and High Speed mode (HS) with the bit rate up to 3.4 Mbit/s.

An I<sup>2</sup>C bus node can operate either as a master or a slave:

- Master node – issues the clock and addresses slaves
- Slave node – receives the clock line and address.

The FT260 operates as an I<sup>2</sup>C master and is capable of being set to the speed modes defined in the I<sup>2</sup>C bus specification. Besides the speed mode defined in the I<sup>2</sup>C standard specification, the I<sup>2</sup>C controller of the FT260 can support flexible SCL frequencies defined by the following function

$$SCL\ Freq = \frac{\text{Operating Clock Frequency}}{M \cdot (N+1)} \quad M = 6 \text{ or } 8; \quad N = 1, 2, 3, \dots, 127$$

When the target frequency is below 100 KHz or higher than 1MHz, M will be equal to 8; otherwise, M will be equal to 6. For example, to generate a 3MHz frequency on SCL, M will be selected as 8. With the operating clock frequency equal to 48MHz, the user can set N as 1. The SCL frequency of the I<sup>2</sup>C master mode for the FT260 can be set via USB commands. Details can be referenced in the [FT260 Application Notes](#).

### 5.2.1 I<sup>2</sup>C Pin Definition

The I<sup>2</sup>C function in the FT260 is an I<sup>2</sup>C master device. It is enabled by default when the FT260 is powered up and the operating speed on the I<sup>2</sup>C bus is designed as 60 KHz for connectivity to most of the external I<sup>2</sup>C slave devices. The I<sup>2</sup>C pins of the FT260 are

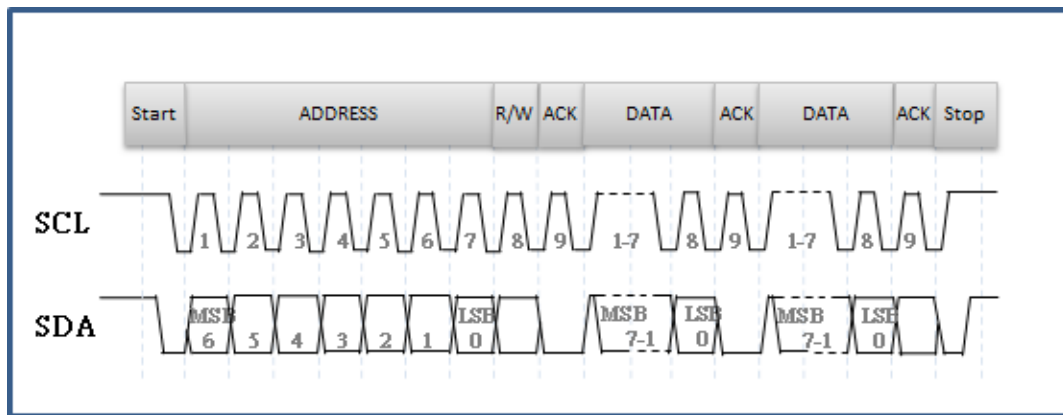
- Clock – SCL (DIO5, pin 12 @ WQFN28), as clock output with open-drain design
- Data – SDA (DIO6, pin 13 @ WQFN28), command/address/data transfer between master and slave with open-drain design

### 5.2.2 I<sup>2</sup>C Bus Protocol

There are four potential modes of operation for a given bus device, although most devices only use a single role (Master or Slave) and its two modes (Transmit and Receive):

- Master transmit – sending data to a slave
- Master receive – receiving data from a slave
- Slave transmit – sending data to a master
- Slave receive – receiving data from the master

The following figure shows the basic I<sup>2</sup>C bus protocol



**Figure 5.1 I<sup>2</sup>C Bus Protocol**

The master is initially in master transmit mode by sending a start bit followed by the 7-bit address of the slave it wishes to communicate with, which is finally followed by a single bit representing whether it wishes to write(0) to or read(1) from the slave.

If the slave exists on the bus then it will respond with an ACK bit (active low for acknowledged) for that address. The master then continues in either transmit or receive mode (according to the read/write bit it sent), and the slave continues in its complementary mode (receive or transmit, respectively).

The address and the data bytes are sent most significant bit first. The start bit is indicated by a high-to-low transition of SDA with SCL high; the stop bit is indicated by a low-to-high transition of SDA with SCL high.

If the master wishes to write to the slave then it repeatedly sends a byte with the slave sending an ACK bit. (In this situation, the master is in master transmit mode and the slave is in slave receive mode.)

If the master wish to read from the slave then it repeatedly receives a byte from the slave, the master sends an ACK bit after every byte but the last one. (In this situation, the master is in master receive mode and the slave is in slave transmit mode.). The master then ends transmission with a stop bit, or it may send another START bit if it wishes to retain control of the bus for another transfer (a "combined message").

I<sup>2</sup>C defines three basic types of message, each of which begins with a START and ends with a STOP:

- Single message where a master writes data to a slave;
- Single message where a master reads data from a slave;
- Combined messages, where a master issues at least two reads and/or writes to one or more slaves

In a combined message, each read or write begins with a START and the slave address. After the first START, these are also called repeated START bits; repeated START bits are not preceded by STOP bits, which is how slaves know the next transfer is part of the same message.

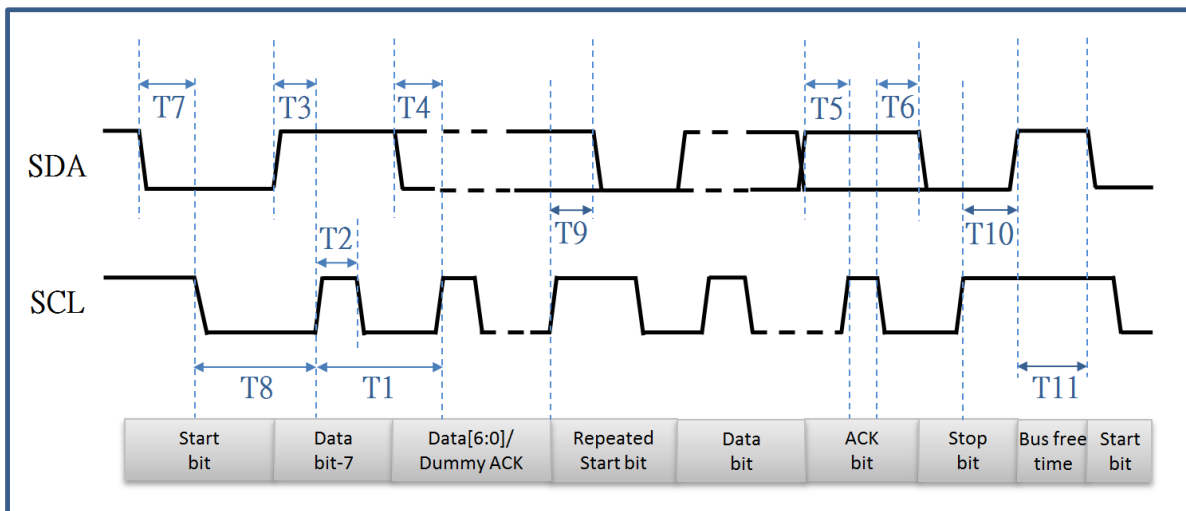
Users can refer to the I<sup>2</sup>C specification for more information on the protocol.

### 5.2.3 I<sup>2</sup>C Slave Address

The FT260 is configured as a USB to I<sup>2</sup>C master bridge and is able to issue any value of 7-bits slave address. Users can issue I<sup>2</sup>C commands towards an I<sup>2</sup>C slave device to read or write data via the applications defined in USB host side. For details, refer to the [FT260 Application Notes](#).

When the FT260 is powered up, the I<sup>2</sup>C master controller will start to scan the external I<sup>2</sup>C device. The scanning address range is from 50h to 57h for the types of EEPROM. For further details refer to section 9.2.

### 5.2.4 I<sup>2</sup>C Timing



**Figure 5.2 I<sup>2</sup>C Bus Timing**

Parameter	Min(ns)	Typ(ns)	Max(ns)	Description
T0@12MHz		83.333		T0 is the period when operating clock=12MHz
T0@24MHz		41.666		T0 is the period when operating clock=24MHz
T0@48MHz		20.833		T0 is the period when operating clock=48MHz
T1@SM/HM	16*T0	8*(1+N)*T0		SCK Period when I <sup>2</sup> C as master with standard speed mode(SM) and HS speed mode
T1@FM/HM	12*T0	6*(1+N)*T0		SCK Period when I <sup>2</sup> C as master with FM, FM+ speed mode
T2	8*T0	4*(1+N)*T0		SCK high pulse width when I <sup>2</sup> C as master with standard speed mode(SM) and HS speed mode
T2	4*T0	2*(1+N)*T0		SCK high pulse width when I <sup>2</sup> C as master with FM, FM+ speed mode
T3		2*(1+N)*T0		SDA output setup time to SCL rising edge when I <sup>2</sup> C as master
T4		2*(1+N)*T0		SDA output hold time to SCL falling edge when I <sup>2</sup> C as master
T5			>=0	input setup time requirement from SDA to SCL rising edge when I <sup>2</sup> C as master

T6			$\geq 0$	input hold time requirement from SDA to SCL falling edge when I <sup>2</sup> C as master
T7		$2*(1+N)*T_0$		Start bit setup time to SCL falling edge
T8		$4*(1+N)*T_0$		Start bit hold time to SCL falling edge
T9		$2*(1+N)*T_0$		Stop bit setup time to SCL rising edge
T10		$2*(1+N)*T_0$		Stop bit hold time to SCL rising edge
T11	$4*(1+N)*T_0$			Bus free time between Start and Stop bit

**Table 5.2 I<sup>2</sup>C Timing for VCCIO=3.3V**

\*Note that N can be ranged from 1 to 255

### 5.3 UART Interface

A universal asynchronous receiver/transmitter (UART) is a computer hardware device that translates data between parallel and serial forms. UARTs are commonly used in conjunction with communication standards such as TIA (formerly EIA) RS-232, RS-422 or RS-485.

The UART can support baud rates from 1.2 Kbaud to 12 Mbaud defined by the following function.

$$\text{Baud Rate} = \frac{\text{Operating Clock Frequency}}{\text{Baud Divisor}}$$

The baud divisor is used to divide the operating clock frequency to the desired baud rate. It can take any value between 4 and 40000 with the added option of adding a fractional component in the order of 1/8ths.

Example: To generate an 115200 baud rate in the FT260, the operating clock frequency to the UART controller equals to 48MHz. The baud divisor can be calculated as shown in the below equation.

$$\text{Baud Divisor} = \frac{48\text{MHz}}{115200\text{Hz}} = 416.667$$

Due to the fractional component is the order of 1/8ths, the baud divisor must be selected as 416.625. It is obvious that the difference of baud divisors will produce a percentage error. A comparison of standard baud rates and the divisor values can be seen in Table 5.3 below. This shows the baud rate required, followed by the divisor value needed to achieve this if the UART is running off a 48MHz clock. Then it lists the actual baud rate achieved and finally the percentage error this produces.

Target Baud Rate	Ideal Baud Divisor	Actual Baud Divisor	Actual Baud Rate	Baud Error Rate
12,000,000	4	4	12,000,000	0.00%±0.25% *Note
9,600,000	5	5	9,600,000	0.00%±0.25%
8,000,000	6	6	8,000,000	0.00%±0.25%
6,000,000	8	8	6,000,000	0.00%±0.25%
3,000,000	16	16	3,000,000	0.00%±0.25%
2,000,000	24	24	2,000,000	0.00%±0.25%
1,500,000	32	32	1,500,000	0.00%±0.25%
1,000,000	48	48	1,000,000	0.00%±0.25%
921,600	52.08 $\bar{3}$	52	923,076.9231	0.16%±0.25%
460,800	104.1 $\bar{6}$	104.125	460,984.3938	0.04%±0.25%
230,400	208. $\bar{3}$	208.250	230,492.1969	0.04%±0.25%
115,200	416. $\bar{6}$	416.625	115,211.5212	0.01%±0.25%
57,600	833. $\bar{3}$	833.250	57,605.7606	0.01%±0.25%
38,400	1,250	1250	38,400	0.00%±0.25%
19,200	2,500	2500	19,200	0.00%±0.25%
9,600	5,000	5000	9,600	0.00%±0.25%

---

4,800	10,000	10000	4,800	0.00%±0.25%
2,400	20,000	20000	2,400	0.00%±0.25%
1,200	40,000	40000	1,200	0.00%±0.25%

**Table 5.3 Baud Rate Comparison**

\*Note that the baud error rate with  $\pm 0.25\%$  is from the internal oscpll.

### 5.3.1 UART Pin Definition

The UART function in the FT260 can be configured as UART-only or I<sup>2</sup>C plus UART mode by DCNF0 and DCNF1 pins. The mode selection is as shown in the Table 5.2.

The pins of the FT260 will be mapped accordingly. The UART pins are

- Receive Data (RXD) – DIO3 (pin-10 @ WQFN28)  
serial data input.
- Transmit Data (TXD) – DIO4 (pin-11 @ WQFN28)  
serial data output.
- Transmit Active signal (TX\_ACTIVE) – DIO0 (pin-7 @ WQFN28)  
active high when data transmission is in progress. Asserted one clock cycle before start bit and de-asserted with final stop bit.
- Request To Send Signal (RTSN) – DIO1 (pin-8 @ WQFN28)  
active low handshaking bit. When low it indicates that the UART can start receiving Rx Data.
- Clear To Send Signal (CTSN) – DIO2 (pin-9 @ WQFN28)  
active low handshaking bit. When this bit is '1', the UART should stop sending TX Data.
- Data Terminal Ready (DTRN) – DIO9 (pin-16 @ WQFN28)  
active low and when '0', indicates that the UART can be connected and receive RX Data.
- Data Set Ready (DSRN) – DIO13 (pin-28 @ WQFN28)  
active low indicating an active connection. When this bit is '1', the UART should not send TX Data.
- Data Carrier Detect (DCD) – DIO10 (pin-17 @ WQFN28)  
asserted when a connection has been established with external device.
- Ring Indicator (RI) – DIO11 (pin-18 @ WQFN28)  
asserted when requested to wake up.

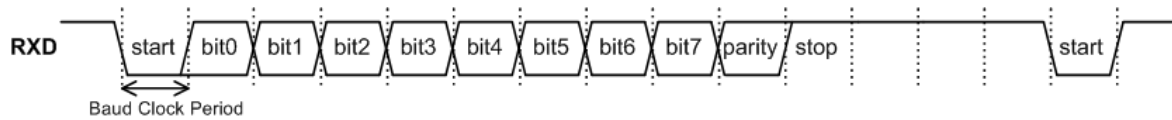
### 5.3.2 UART Bus Protocol

Data transferring uses NRZ (Non-Return to Zero) data format consisting of 1 start bit, 7 or 8 data bits, an optional parity bit, and one or two stop bits.

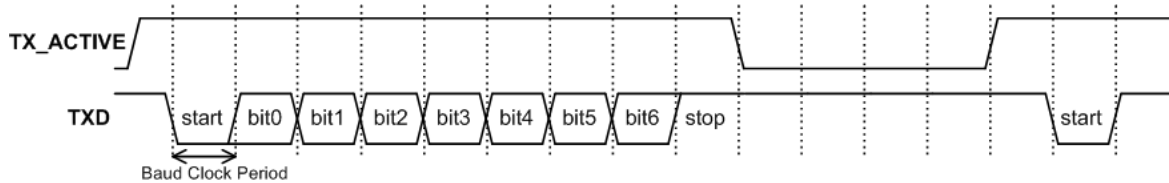
- Data Bits - 7 data bits or 8 data bits.
- Parity Bit - **No** parity.
  - **Odd** parity. This means that the parity bit is set to either '1' or '0' so that an odd number of 1's are sent.
  - **Even** parity. This means that the parity bit is set to either '1' or '0' so that an even number of 1's are sent.
  - **High** parity. This simply means that the parity bit is always High.
  - **Low** parity. This simply means that the parity bit is always Low.
- Stop Bits - one bit or two bits.

When transmitting the data bits, the least significant bit is transmitted first. UART transmitting and receive waveforms are illustrated in the below figures.

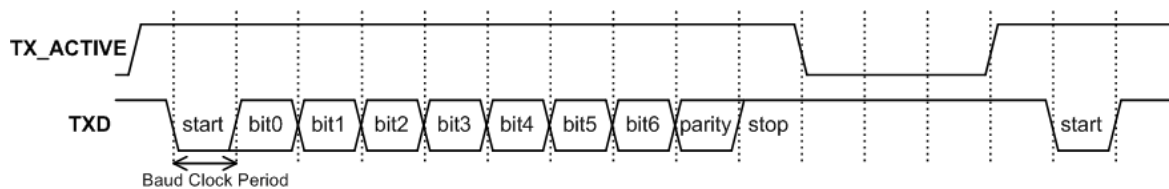




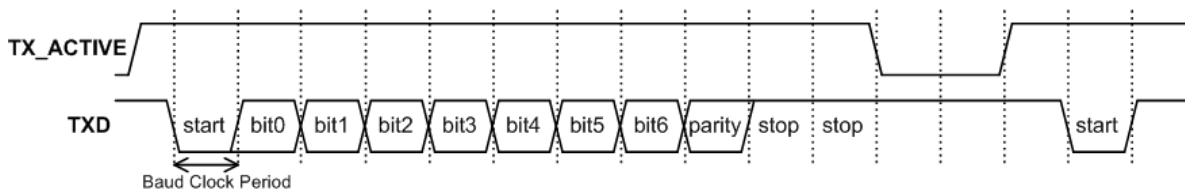
**Figure 5.3 UART RX Waveform consist of 8 data bits, 1 optional parity bit and 1 stop bit**



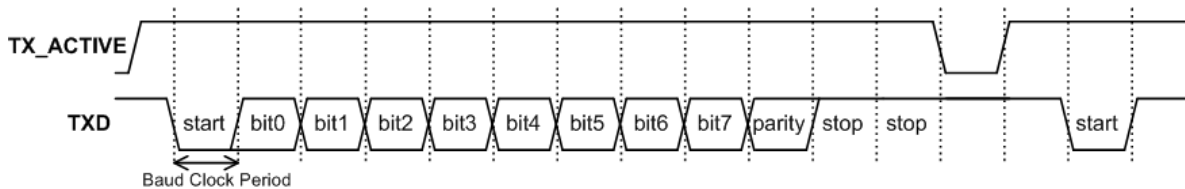
**Figure 5.4 UART TX Waveform consist of 7 data bits, no parity bit and 1 stop bit**



**Figure 5.5 UART TX Waveform consist of 7 data bits, 1 optional parity bit and 1 stop bit**



**Figure 5.6 UART TX Waveform consisting 7 data bits, 1 optional parity bit and 2 stop bits**



**Figure 5.7 UART TX Waveform consisting 8 data bits, 1 optional parity bit and 2 stop bits**

TX\_ACTIVE is default function of the pin DIO0 as the transmitting indicator for UART; this output may be used in RS485 designs to control the transmitting of the line driver.

### 5.3.3 UART Flow Control

The UART interface needs to implement proper flow control to prevent data from being lost by the external device. This will be done using either hardware or software flow control. The FT260 UART supports the modes listed below.

- OFF, and switch UART pins to GPIO
- RTS\_CTS mode (hardware flow control)
- DTR\_DSR mode (hardware flow control)
- XON\_XOFF (software flow control)
- No flow control mode

#### RTS/CTS Hardware Flow Control

When RTS / CTS flow control is used, the CTS input indicate to the FT260 that the data communications equipment (DCE) is ready to receive data. If it is active (low), then the FT260 is free to transmit data on the TX data line, otherwise it has to hold the data until CTS goes low. The RTS output is used to indicate that The FT260 is capable of receiving data (active low). Thus, it should be set inactive by the FT260 when both the UART receive register and receive holding register are full.

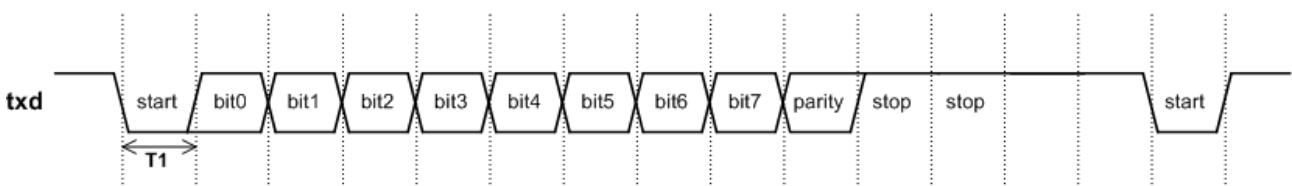
#### DTR/DSR Hardware Flow Control

These signals are provided to give information about the status of each UART. When this mode is enabled and the DTS input is high, the FT260 UART should not send any data on the TX line. DTR will be enabled on reset and a register bit will allow the IO Bus to alter the state at any time.

#### Software Flow Control

When software flow control is enabled the XON character and XOFF character are used to stop and start the flow of data. The XON character tells the downstream device to start sending data. The XOFF character tells the downstream device to stop sending data. Typical defaults for XON is `11` and for XOFF is `13`.

### 5.3.4 UART Timing



**Figure 5.8 UART Timing**

Parameter	Min(ns)	Typ(ns)	Max(ns)	Description
T0@48MHz	-2500ppm	20.833	+2500ppm	T0 is the period when operating clock=48MHz
T1	4*T0		40000*T0	Baud clock period of txd

**Table 5.4 UART Timing**

## 5.4 GPIOs

Most of the digital I/O pins of the FT260 have a GPIO function as an alternative function. For example, pin 10 can be RXD or GPIOC, and RXD is the main function of pin 10. Usually, if the main function of a pin is switched off, the pin will be switched to a GPIO pin. Therefore, if UART is turned off, all UART pins will become GPIO pins. The FT260 has 3 pins which have more than 2 functions. They are GPIO 2 (pin 14), GPIOA (pin 7), and GPIOG (pin 27). The working function of these 3 pins can be configured by eFUSE, EEPROM, or via USB commands. Please refer to the eFUSE and EEPROM sections for more details.

The FT260 has two sets of GPIO pins: GPIO0~5 and GPIOA~H. After the pins are configured as GPIO, users can set or get the direction and pin status via the USB control pipe, i.e. HID SET\_REPORT and GET\_REPORT requests. The FT260 also provides an interrupt input source on GPIO3/Interrupt (pin 15). If the interrupt is triggered, the FT260 will generate an interrupt report with report ID 0xB1 via the interrupt IN pipe from the UART interface. The FT260 interrupt provides 4 trigger types: rising edge, falling edge, level-high, and level-low. By default, it is configured as level-high for 30ms. Note, that GPIO and interrupt are two different functions, which means if interrupt is the working function of pin 15, users cannot set and get GPIO3 status. Switching pin 15 to be either GPIO or interrupt and trigger settings can be done via EEPROM or USB commands.

The FT260 has flexible settings for suspend behaviour of all digital I/O pins. During suspend, these pins can perform pushing high, pushing low, tristate, or no-change. No-change means to keep the original function and value during suspend. The suspend behaviour can be configured in an external EEPROM.

## 6 Devices Characteristics and Ratings

### 6.1 Absolute Maximum Ratings

The absolute maximum ratings for the FT260 devices are as follows. These are in accordance with the Absolute Maximum Rating System (IEC 60134). Exceeding these may cause permanent damage to the device.

Parameter	Value	Unit	Conditions
Storage Temperature	-65°C to 150°C	Degrees C	
Floor Life (Out of Bag) At Factory Ambient (30°C / 60% Relative Humidity)	168 Hours (IPC/JEDEC J-STD-033A MSL Level 3 Compliant)*	Hours	
Ambient Operating Temperature (Power Applied)	-40°C to 85°C	Degrees C	
MTTF FT260	TBD	Hours	
VCCIN Supply Voltage	-0.3 to +5.5	V	
VCCIO IO Voltage	-0.3 to +4.0	V	
FSOURCE Supply Voltage	3.8±0.4	V	
DC Input Voltage – USBDP and USBDM	-0.5 to +3.63	V	
DC Input Voltage – High Impedance Bi-directional (powered from VCCIO)	-0.3 to +(VCCIO+0.5V)	V	
DC Output Voltage	3.3±0.15	V	VOUT3V3
DC Output Current – Outputs	100 **	mA	

**Table 6.1 Absolute Maximum Ratings**

\* If devices are stored out of the packaging beyond this time limit the devices should be baked before use. The devices should be ramped up to a temperature of +125°C and baked for up to 17 hours.

\*\* This DC output current on VOUT3V3 is also the power supply source for FT260 operation. If it must be the source for other components in the system, it can only supply 75mA or less.

### 6.2 ESD and Latch-up Specifications

Description	Specification
<b>Human Body Mode (HBM)</b>	<b>&gt; ± 2kV</b>
<b>Machine mode (MM)</b>	<b>&gt; ± 200V</b>
<b>Charged Device Mode (CDM)</b>	<b>&gt; ± 500V</b>
<b>Latch-up</b>	<b>&gt; ± 200mA</b>

**Table 6.2 ESD and Latch-Up Specifications**

## 6.3 DC Characteristics

DC Characteristics (Ambient Temperature = -40°C to +85°C)

Parameter	Description	Minimum	Typical	Maximum	Units	Conditions
VCC1	VCCIN Operating Supply Voltage	4.5	5	5.5	V	VCCIN is supplied with 5V
		2.97	3.3	3.63V	V	VCCIN is supplied with 3.3V
VCC2	VCCIO Operating Supply Voltage	2.97	3.3	3.63	V	VCCIO is supplied with 3.3V
		2.25	2.5	2.75	V	VCCIO is supplied with 2.5V
		1.62	1.8	1.98	V	VCCIO is supplied with 1.8V
I <sub>normal</sub>	Operating Supply Current		9.6*		mA	Normal Operation at 12MHz
			14.5*		mA	Normal Operation at 24MHz
			23.6*		mA	Normal Operation at 48MHz
I <sub>idle</sub>	Idle Supply Current		4.17		mA	IDLE Operation at 30KHz
I <sub>susp</sub>	Suspend Supply Current		356		μA	USB Suspend
3V3	3.3v regulator output	2.97	3.3	3.63	V	VCCIN must be greater than 3V3 otherwise VOUT3V3 is an input which must be driven with 3.3V
V <sub>FSOURCE</sub>	eFUSE Blowing Supply Voltage	3.4	3.8	4.2	V	

**Table 6.3 Operating Voltage and Current**

\* The current measurement is with the regular data transferring speed between USB and I2C/UART interface. All the pins are with 4mA driving strength and without heavy loading.

Parameter	Description	Minimum	Typical	Maximum	Units	Conditions
V <sub>oh</sub>	Output Voltage High	2.97	VCCIO	VCCIO	V	I <sub>oh</sub> = +/-2mA I/O Drive strength* = 4mA
		2.97	VCCIO	VCCIO	V	I/O Drive strength* = 8mA
		2.97	VCCIO	VCCIO	V	I/O Drive strength* = 12mA
		2.97	VCCIO	VCCIO	V	I/O Drive strength* = 16mA
V <sub>ol</sub>	Output Voltage Low		0	0.4	V	I <sub>ol</sub> = +/-2mA I/O Drive strength* = 4mA
			0	0.4	V	I/O Drive strength* = 8mA
			0	0.4	V	I/O Drive strength* = 12mA
			0	0.4	V	I/O Drive strength* = 16mA
V <sub>il</sub>	Input low Switching Threshold			0.8	V	LVTTL
V <sub>ih</sub>	Input High Switching Threshold	2.0			V	LVTTL
V <sub>t</sub>	Switching Threshold		1.49		V	LVTTL
V <sub>t-</sub>	Schmitt trigger negative going threshold voltage		1.15		V	
V <sub>t+</sub>	Schmitt trigger positive going threshold voltage		1.64		V	
R <sub>pu</sub>	Input pull-up resistance	40	75	190	KΩ	V <sub>in</sub> = 0
R <sub>pd</sub>	Input pull-down resistance	40	75	190	KΩ	V <sub>in</sub> = VCCIO
I <sub>in</sub>	Input Leakage Current	-10	+/-1	10	μA	V <sub>in</sub> = 0
I <sub>oz</sub>	Tri-state output leakage current	-10	+/-1	10	μA	V <sub>in</sub> = 5.5V or 0

**Table 6.4 I/O Pin Characteristics VCCIO = +3.3V (except USB PHY pins)**

\* The I/O drive strength and slow slew-rate are configurable in eFUSE or external EEPROM

Parameter	Description	Minimum	Typical	Maximum	Units	Conditions
V <sub>oh</sub>	Output Voltage High	2.25	VCCIO	VCCIO	V	I <sub>oh</sub> = +/-2mA I/O Drive strength* = 4mA
		2.25	VCCIO	VCCIO	V	I/O Drive strength* = 8mA
		2.25	VCCIO	VCCIO	V	I/O Drive strength* = 12mA
		2.25	VCCIO	VCCIO	V	I/O Drive strength* = 16mA
V <sub>ol</sub>	Output Voltage Low		0	0.4	V	I <sub>ol</sub> = +/-2mA I/O Drive strength* = 4mA
			0	0.4	V	I/O Drive strength* = 8mA
			0	0.4	V	I/O Drive strength* = 12mA
			0	0.4	V	I/O Drive strength* = 16mA
V <sub>il</sub>	Input low Switching Threshold			0.8	V	LVTTTL
V <sub>ih</sub>	Input High Switching Threshold	1.7			V	LVTTTL
V <sub>t</sub>	Switching Threshold		1.1		V	LVTTTL
V <sub>t-</sub>	Schmitt trigger negative going threshold voltage		0.8		V	
V <sub>t+</sub>	Schmitt trigger positive going threshold voltage		1.2		V	
R <sub>pu</sub>	Input pull-up resistance	40	75	190	KΩ	V <sub>in</sub> = 0
R <sub>pd</sub>	Input pull-down resistance	40	75	190	KΩ	V <sub>in</sub> = VCCIO
I <sub>in</sub>	Input Leakage Current	-10	+/-1	10	μA	V <sub>in</sub> = 0
I <sub>oz</sub>	Tri-state output leakage current	-10	+/-1	10	μA	V <sub>in</sub> = 5.5V or 0

**Table 6.5 I/O Pin Characteristics VCCIO = +2.5V (except USB PHY pins)**

\* The I/O drive strength and slow slew-rate are configurable in eFUSE or external EEPROM

Parameter	Description	Minimum	Typical	Maximum	Units	Conditions
V <sub>oh</sub>	Output Voltage High	1.62	VCCIO	VCCIO	V	I <sub>oh</sub> = +/-2mA I/O Drive strength* = 4mA
		1.62	VCCIO	VCCIO	V	I/O Drive strength* = 8mA
		1.62	VCCIO	VCCIO	V	I/O Drive strength* = 12mA
		1.62	VCCIO	VCCIO	V	I/O Drive strength* = 16mA
V <sub>ol</sub>	Output Voltage Low		0	0.4	V	I <sub>ol</sub> = +/-2mA I/O Drive strength* = 4mA
			0	0.4	V	I/O Drive strength* = 8mA
			0	0.4	V	I/O Drive strength* = 12mA
			0	0.4	V	I/O Drive strength* = 16mA
V <sub>il</sub>	Input low Switching Threshold			0.63	V	LVTTL
V <sub>ih</sub>	Input High Switching Threshold	1.17			V	LVTTL
V <sub>t</sub>	Switching Threshold		0.77		V	LVTTL
V <sub>t-</sub>	Schmitt trigger negative going threshold voltage		0.557		V	
V <sub>t+</sub>	Schmitt trigger positive going threshold voltage		0.893		V	
R <sub>pu</sub>	Input pull-up resistance	40	75	190	KΩ	V <sub>in</sub> = 0
R <sub>pd</sub>	Input pull-down resistance	40	75	190	KΩ	V <sub>in</sub> = VCCIO
I <sub>in</sub>	Input Leakage Current	-10	+/-1	10	μA	V <sub>in</sub> = 0
I <sub>oz</sub>	Tri-state output leakage current	-10	+/-1	10	μA	V <sub>in</sub> = 5.5V or 0

**Table 6.6 I/O Pin Characteristics VCCIO = +1.8V (except USB PHY pins)**

\* The I/O drive strength and slow slew-rate are configurable in eFUSE or external EEPROM



## 6.4 USB Characteristics

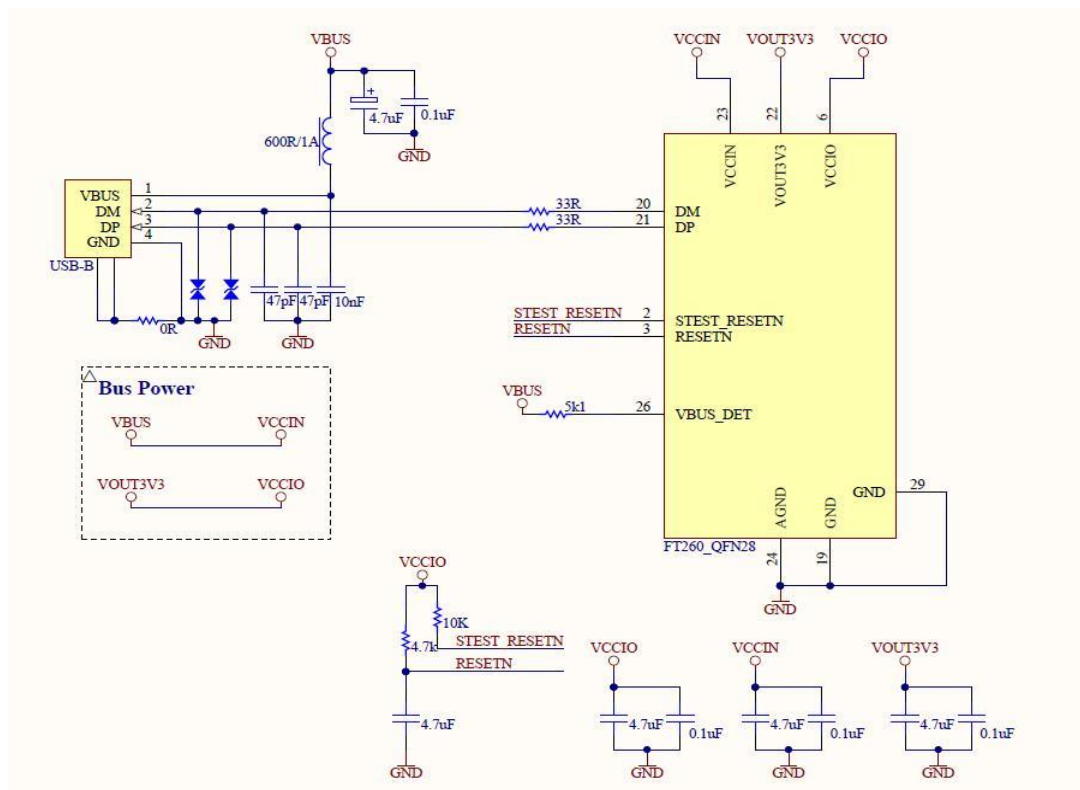
Parameter	Description	Minimum	Typical	Maximum	Units	Conditions
DC Characteristics						
UR <sub>o</sub>	Output impedance	3.5	7	14	Ω	
UR <sub>pu</sub>	Internal Pull Up resistance	0.976	1.24	1.574	Ω	
UV <sub>OH</sub>	High level Output on DP and DM	2.8			V	
UV <sub>OL</sub>	Low level Output on DP and DM			0.3	V	
AC Characteristics						
UT <sub>rise</sub>	Rise Time on DP/DM	4	10	20	ns	
UT <sub>fall</sub>	Fall Time on DP/DM	4	10	20	ns	
UV <sub>cr</sub>	Cross point	1.3		2.0	V	
UV <sub>th</sub>	Single-ended receiver threshold	0.8		2.0	V	

**Table 6.7 USB I/O Pin (DP, DM) Characteristics**

## 7 FT260 Power Configurations

Section 7.1 to section 7.4 illustrates possible USB power configurations for the FT260. Section 7.5 shows the configuration for system pins about DCFN0, DCFN1, XRESETN and other system pins. Section 7.6 shows the power for programming eFUSE.

### 7.1 USB Bus Powered Configuration



**Figure 7.1 Bus Powered Configuration**

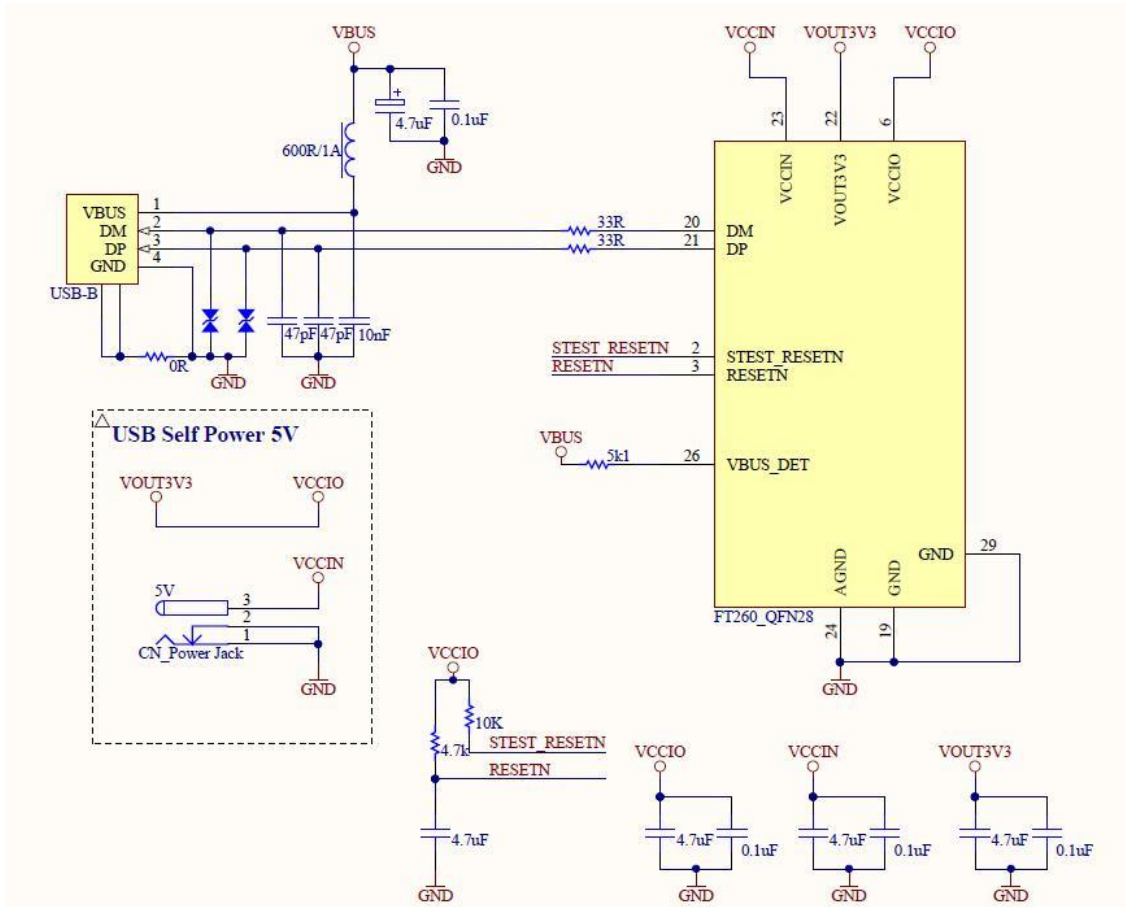
Figure 7.1 illustrates the FT260 in a typical USB2.0 bus powered design configuration. A USB bus powered device gets its power from the USB bus. Basic rules for USB bus powered devices are as follows

- i) On plug-in to USB, the device should draw no more current than 100mA.
- ii) In USB Suspend mode the device should draw no more than 2.5mA.
- iii) A bus powered, high power USB device (one that draws more than 100mA) can use the SUSPOUT\_N function on the pin DIO7 as a power disable function and use it to keep the current below 2.5mA on USB suspend.
- iv) A device that consumes more than 100mA cannot be plugged into a USB bus powered hub.
- v) No device can draw more than 500mA from the USB bus.

The VCCIN pin is the power source for the FT260 and can directly connect to VBUS. When the I/O voltage level is as +3.3V, users can directly connect VOUT3V3 to VCCIO without an external regulator. The VBUS\_DET pin is a 5V-tolerant input pin and can directly connect to VBUS without an on-board voltage divider circuit. The power descriptors in the embedded eFUSE of the FT260 or in the external EEPROM should be programmed to match the current drawn by the device.

A ferrite bead is connected in series with the USB power supply to reduce EMI noise from the FT260 and associated circuitry being radiated down the USB cable to the USB host. The value of the Ferrite Bead depends on the total current drawn by the application. A suitable range of Ferrite Beads is available from Steward ([www.steward.com](http://www.steward.com)), for example Laird Technologies Part # MI0805K400R-10.

## 7.2 Self Powered Configuration with 5V Source Input



**Figure 7.2 Self Powered Configuration with 5V Source Input**

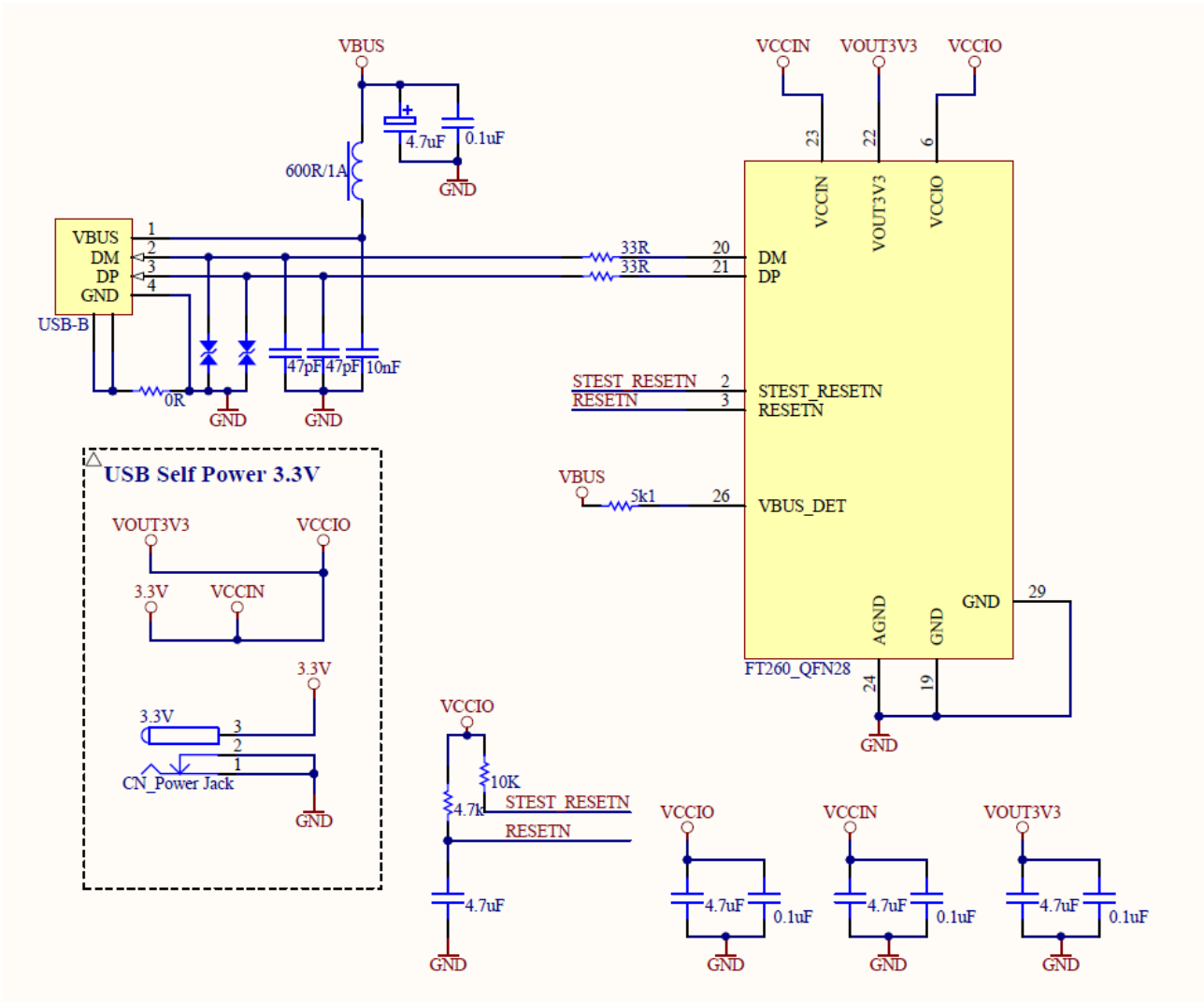
Figure 7.2 illustrates the FT260 in a typical USB2.0 self-powered configuration. A USB self-powered device gets its power from its own power supply, 5V, and does not draw current from the USB bus. The basic rules for USB self-powered devices are as follows –

- i) A self-powered device should not force current down the USB bus when the USB host or hub controller is powered down.
- ii) A self-powered device can use as much current as it needs during normal operation and USB suspend as it has its own power supply.
- iii) A self-powered device can be used with any USB host, a bus powered USB hub or a self-powered USB hub.

VCCIN is the power source for the FT260 and will source power from its own power supply. When the I/O voltage level is +3.3V, users can directly connect VOUT3V3 to VCCIO without an external regulator. The power descriptors in the embedded eFUSE of the FT260 or in the external EEPROM should be programmed as self-powered.

In order to comply with the first requirement above, the USB bus power (USB connector pin 1) is used to control the VBUS\_DET pin of the FT260 device. VBUS\_DET is a 5V-tolerant input pin and can directly connect to VBUS without an on-board voltage divider circuit. When the USB host or hub is powered up an internal 1.5kΩ resistor on DP is pulled up to +3.3V, thus identifying the device to the USB host or hub. When the USB host or hub is powered off, the VBUS\_DET pin will be low and the FT260 is held in a suspend state. In this state the internal 1.5kΩ resistor is not pulled up to any power supply (hub or host is powered down), so no current flows down DP via the 1.5kΩ pull-up resistor. Failure to do this may cause some USB host or hub controllers to power up erratically.

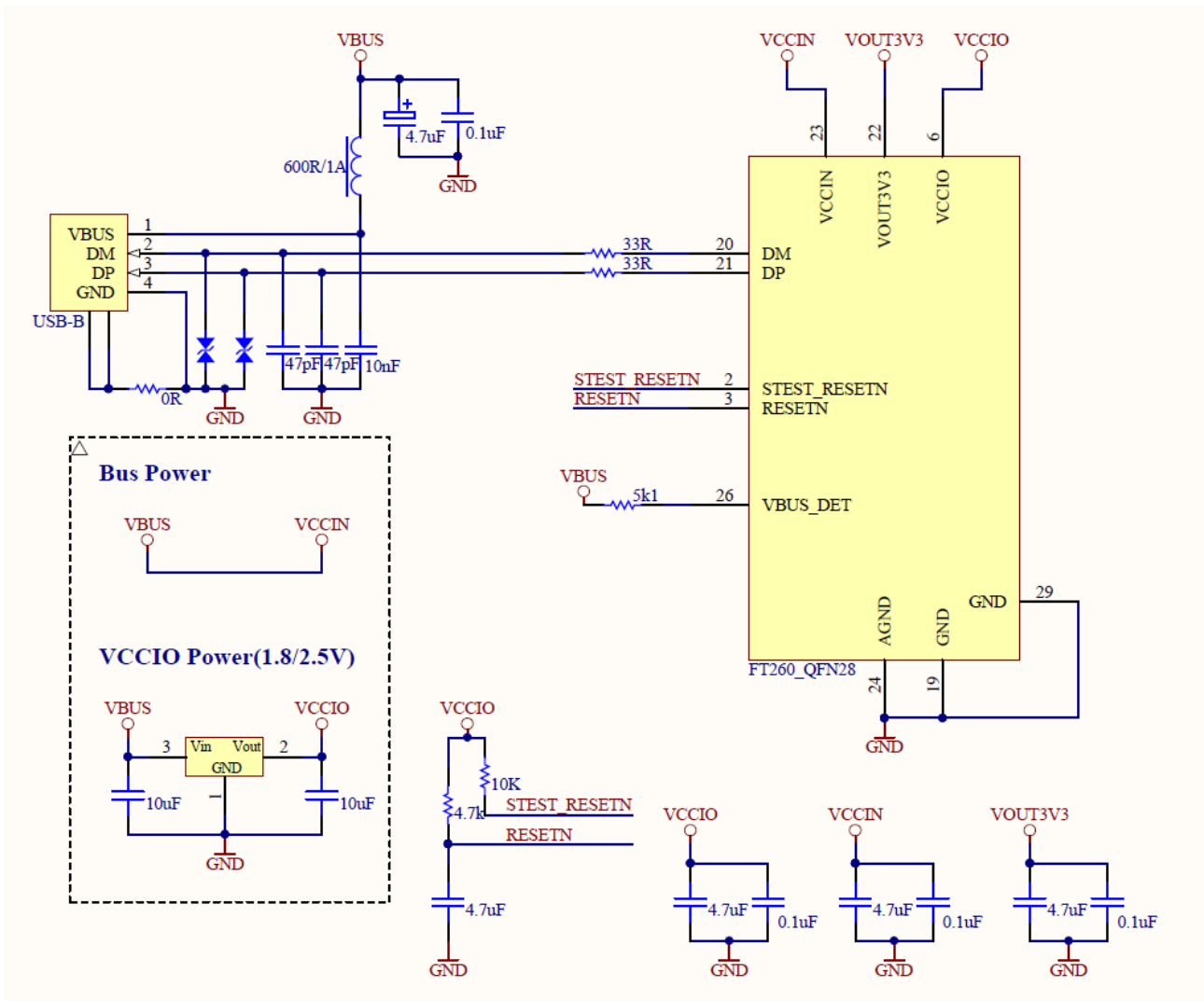
### 7.3 Self Powered Configuration with 3.3V Source In



**Figure 7.3 Self Powered Configuration with 3.3V Source Input**

Figure 7.3 illustrates the FT260 in a typical USB self-powered configuration similar to Figure 7.2. The difference here is that the self-power source is 3.3V. If using 3.3V as the power source in, remember to connect it to VOUT3V3 to supply an operating voltage for USB signalling in the FT260.

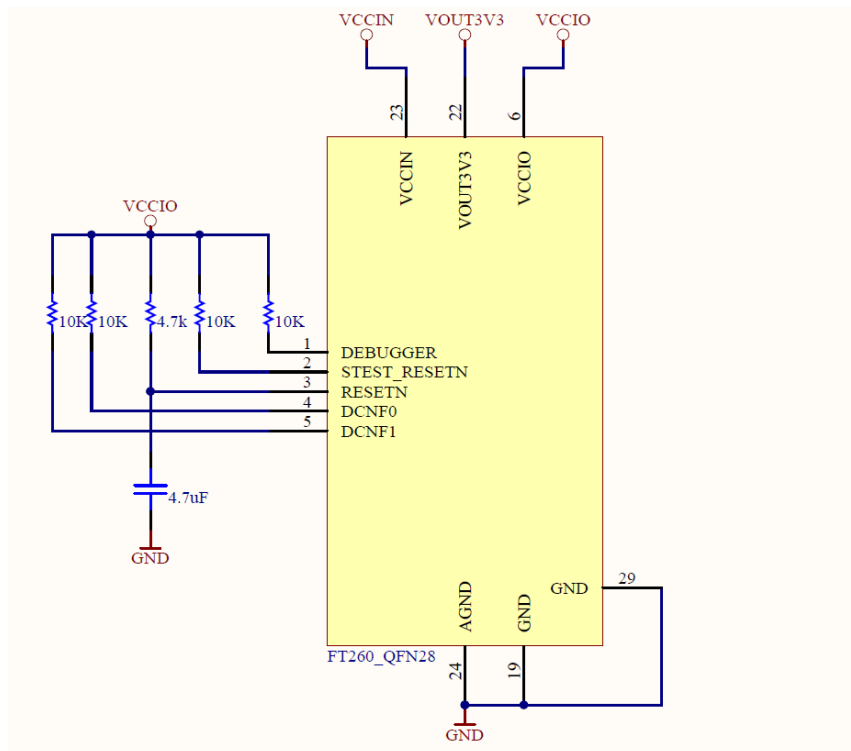
## 7.4 Bus Powered Configuration with +1.8V/+2.5V I/O Voltage



**Figure 7.4 Bus Powered Configuration with +1.8V/+2.5V I/O voltage Level**

Figure 7.4 illustrates the FT260 in a typical USB bus-powered configuration similar to Figure 7.1. The difference here is that the I/O pin voltage source is 2.5V or 1.8V, not 3.3V. An external regulator can source the power from VBUS and regulate out the required I/O voltage level. Then, VCCIO can connect to the output of the regulator to achieve I/O voltage level operating at +1.8V or +2.5V. VCCIN should be connected to VBUS to supply the power source for FT260 operation.

## 7.5 Configuration for System Pins



**Figure 7.5 Recommended FT260 Configuration of System Pins**

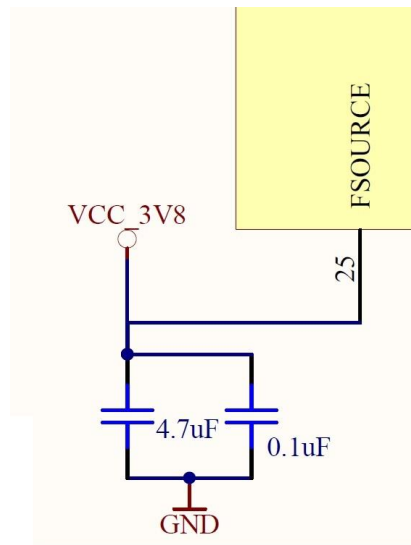
The pins, DCNF0 and DCNF1, will determine one of 3 configurations for the FT260 as defined in Section 5.1. These 2 pins have internal pull-down resistors; these 2 pins can be left floating for logic-0. If logic-1 is applied for DCNF0 and/or DCNF1, a 10K Ohm resistor should be connected to VCCIO as shown in Figure 7.5.

The pin RESETN is the external reset source for the FT260. There is also a power-on-reset (POR) design in the FT260. If there is no requirement for an external reset, RESETN can be left floating or weakly tied to logic-high. If an external reset is required in the design, the related circuit in Figure 7.5 can be used for reference.

The DEBUGGER pin is reserved for debugging purposes and should be tied to VCCIO, the I/O power domain for the FT260. The pin, STEST\_RESETN, is also a reserved pin and should be tied to logic-high.

Note that the GND pin located at pin-29 in Figure 7.5 is the paddle in the bottom side of the WQFN28 package. It should be tied together with the GND for FT260.

## 7.6 Power for Programming eFUSE



**Figure 7.6 FSOURCE for eFUSE**

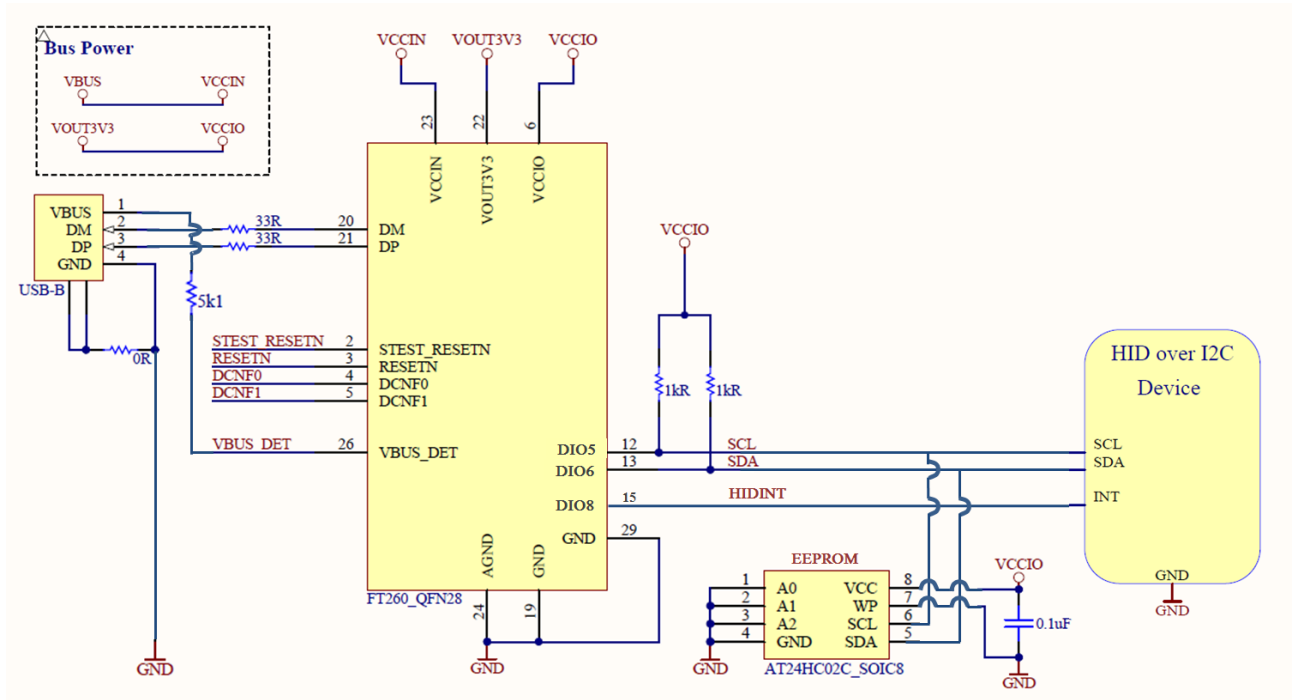
When the FT260 is in normal operation without programming the eFUSE, the FSOURCE pin can be left floating. If the programming mechanism is required in the system, a power source with 3.8V should be applied. Figure 7.6 shows the related components for FSOURCE.

The programmer module, UMFTPD3A, which is developed by FTDI, can supply the power source for FSOURCE. With the programming utility FT\_PROG, it can control the programming procedure and timing to the embedded eFUSE in the FT260. Users can easily set the vendor specifying parameters which are defined in eFUSE for customizing the FT260.

## 8 Application Examples

The following diagrams show the possible applications of the FT260. The illustrations have omitted the electrical design for the power domain plan. For power details refer to Section 7.

### 8.1 USB HID-over-I2C

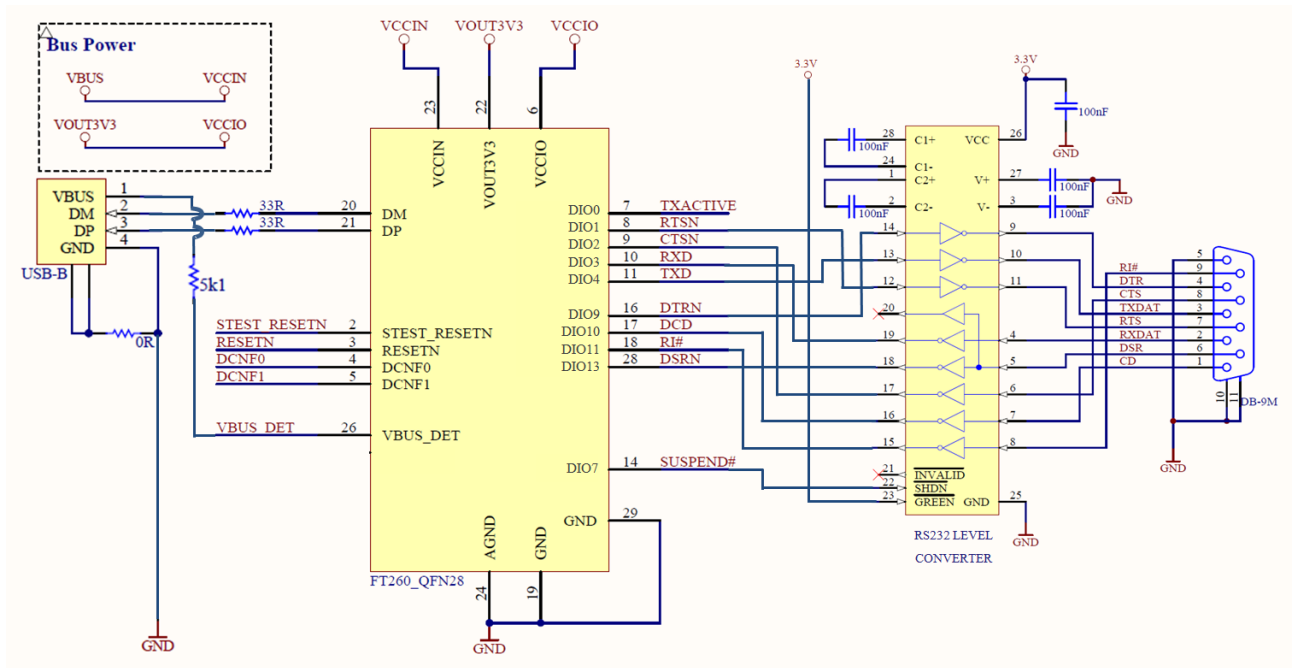


**Figure 8.1 Application Example 1: HID over I<sup>2</sup>C**

In Figure 8.1, a HID-over-I<sup>2</sup>C device can easily connect to USB by integrating the FT260 into the system. With an on-board EEPROM for customization, the FT260 can connect to both EEPROM and a HID class device with I<sup>2</sup>C slave interface simultaneously. DIO8 can be set as INTRIN, an interrupt input source from a HID class device for the requirement of the HID-over-I<sup>2</sup>C specification. With 1K Ohm pull up resistors on SCL and SDA, the I<sup>2</sup>C bus can run at HS mode.



## 8.2 USB to RS232 Converter

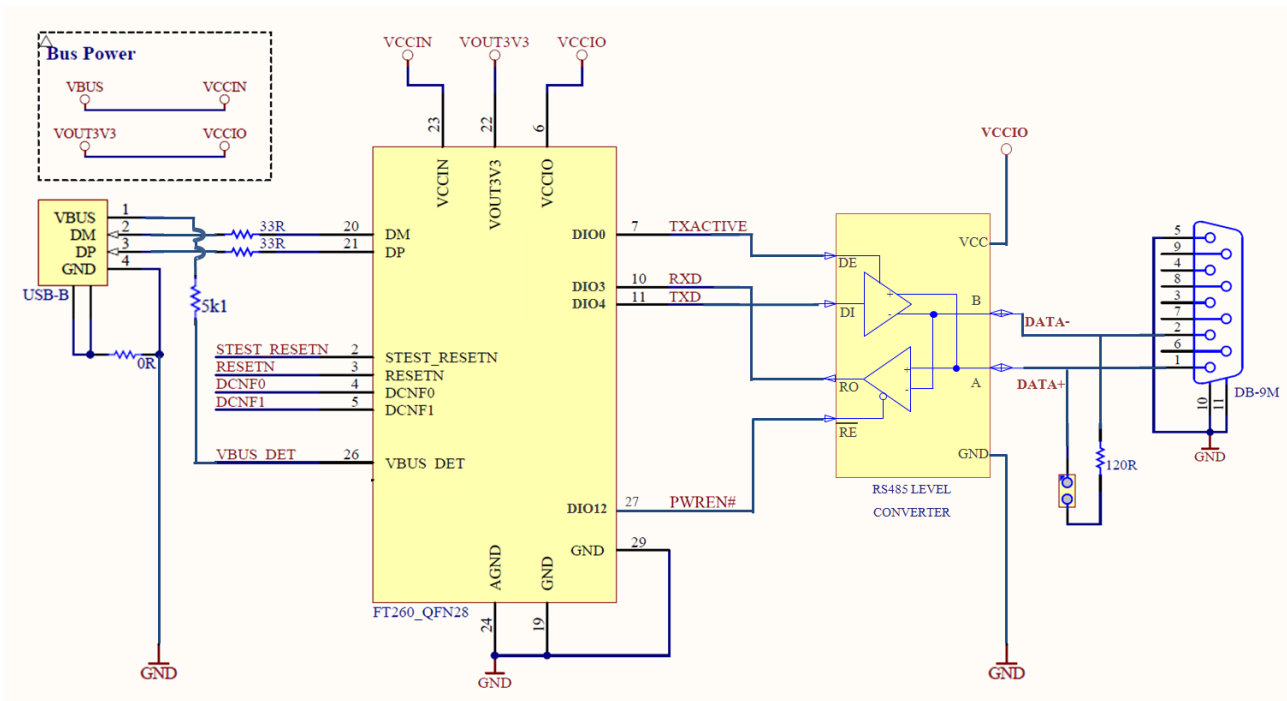


**Figure 8.2 Application Example 2: USB to RS232 Converter**

An example of using the FT260 as a USB to RS232 converter is illustrated in Figure 8.2. In this application, a TTL to RS232 Level Converter IC is used on the serial UART interface of the FT260 to convert the TTL levels of the FT260 to RS232 levels. This level shift can be done using the popular "213" series of TTL to RS232 level converters. These "213" devices typically have 4 transmitters and 5 receivers in a 28-LD SSOP package and feature an in-built voltage level converter to convert the +5V (nominal) VCC to the +/- 9 volts required by RS232.

The Shut Down control ( $\overline{\text{SHDN}}$ ) signal of the converter device is the suspend control. The pin DIO7 of the FT260 can be set to function as SUSPOUT\_N with active-low output and can be the control source to the converter IC. Note that the power source for the converter IC in Figure 8.2 is not supplied from the VOUT3V3 of the FT260 since the current consumption of this kind of converter is high. The supply current of VOUT3V3 is limited. Details can be referred to Table 6.1.

### 8.3 USB to RS485 Converter



**Figure 8.3 Application Example 3: USB to RS485 Converter**

An example of using the FT260 as a USB to RS485 converter is shown in Figure 8.3. In this application, a TTL to RS485 level converter IC is used on the serial UART interface of the FT260 to convert the TTL levels of the FT260 to RS485 levels.

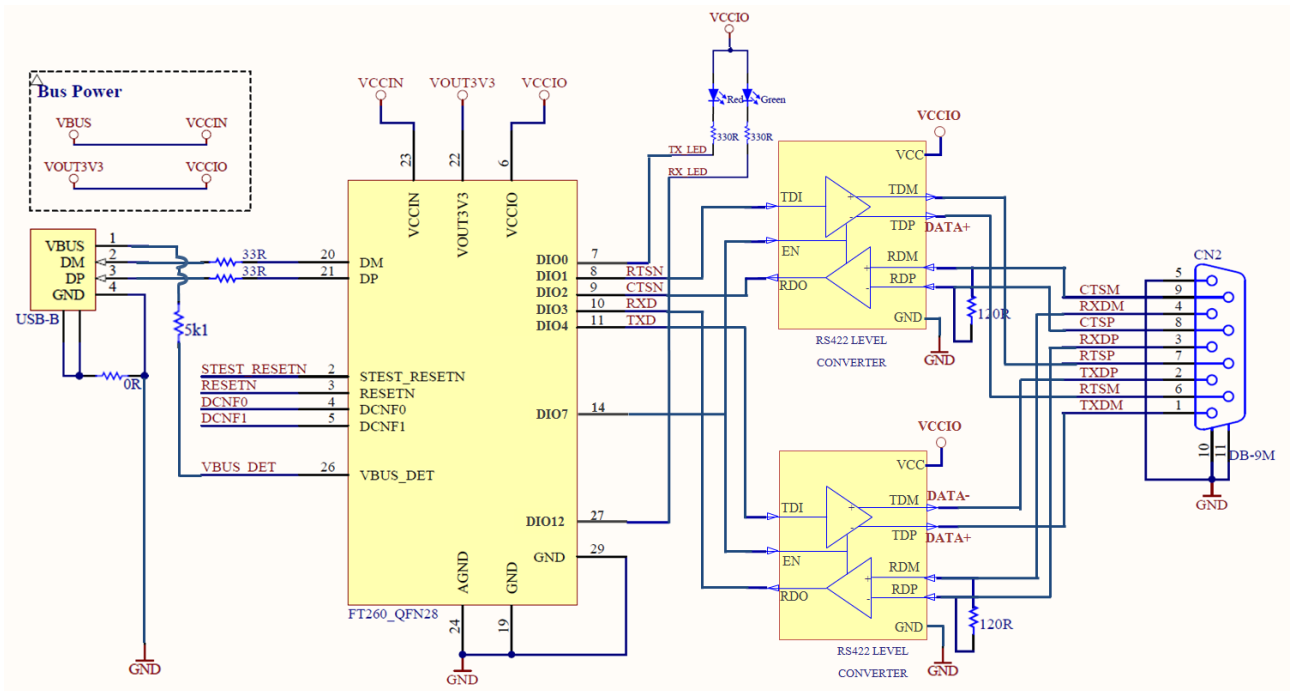
The converter device requires separate enable signals on both the transmitter and receiver. With RS485, the transmitter is only enabled when a character is being transmitted from the UART. Setting DIO0 as TX\_ACTIVE is provided for exactly the same purpose and wired to the transmitter enable (DE) of converter device. The pin DIO12 of FT260 can be configured as PWREN\_N and wired to the receiver enable ( $\overline{RE}$ ) of the converter device. With these configurations of the pins, the FT260 can be used as the USB to RS485 converter.

RS485 is a multi-drop network; so many devices can communicate with each other over a two wire cable interface. The RS485 cable requires to be terminated at each end of the cable. A link (which provides the 120Ω termination) allows the cable to be terminated if the converter device is physically positioned at either end of the cable.

In this example, the data transmitted by the FT260 is also present on the receive path of the converter device. This is a common feature of RS485 and requires the application software to remove the transmitted data from the received data stream. With the FT260, it is possible to do this entirely in hardware by modifying the example shown in Figure 8.3 by logically OR-ing the FT260 TX\_ACTIVE and the receiver output (RO) of converter device then connecting the output of the OR gate to the RXD of FT260.

Note that the TX\_ACTIVE is activated 1 bit ahead the start bit. TX\_ACTIVE is de-activated at the same time as the stop bit. This is not configurable.

## 8.4 USB to RS422 Converter



**Figure 8.4 Application Example 4 : USB to RS422 Converter**

An example of using the FT260 as a USB to RS422 converter is shown in Figure 8.4. In this application, two TTL to RS422 Level Converter ICs are used on the serial UART interface of the FT260 to convert the TTL levels of the FT260 to RS422 levels.

There are many suitable level converter devices available. In Figure 8.4, the converter devices have an enable control (EN) to activate the data lines. Setting DIO7 as SUSPOUT\_N allows the FT260 to disable the level converters when the system is in suspend. SUSPENDOUT\_N is an active-low signal. The DIO0 and DIO12 of the FT260 can be configured as TX\_LED and RX\_LED. The FT260 can toggle LEDs with these signals when the UART interface is transmitting and receiving data.

## 9 User Configuration

The FT260 provides two storage paths for customization. One is eFUSE which is embedded in the FT260; another is the executable path to an external EEPROM. Parameters are defined for the customization and are categorized into several groups. The groups are USB-related, GPIO function selection, pin feature settings, UART settings and HID-over-I2C.

Embedded eFUSE provides a cost-effective customization. Without external devices, the FT260 can have customised VID/PID for USB, driving strength for digital pins, GPIOA, GPIOG, GPIO2 configurations and HID-over-I2C basic settings.

For customization demand, an EEPROM is required in the application. With this external EEPROM, more parameters are defined for customization. In this storage area, parameters in eFUSE are all included. USB string descriptor, pins status when USB suspending, and detailed pin configurations are included in EEPROM. Details can refer to Section 9.2.2.

There is already a default value for each parameter in the design of the FT260. When the parameters in eFUSE are programmed and enabled, the parameters in eFUSE will be loaded when the FT260 is powered up or reset.

Both eFUSE and EEPROM for the FT260 can be programmed over USB. This method is the same as for the MTP on other FTDI devices such as the FT-X series. Please note that in order to program eFUSE, the FT260 requires an additional programming voltage (3.8V) on its FSOURCE pin. The programming board, UMFTPD3A, supplies an easy connection bridge between the FT260 and a USB host for supplying the power source, for timing control of eFUSE, and for communicating with the programming utility FT\_Prog. Further details may be found in the UMFTPD3A datasheet.

The FT\_Prog utility is provided free-of-charge from the FTDI website, and can be found at the link below. The user guide is also available at this link.

[http://www.ftdichip.com/Support/Utilities.htm#FT\\_Prog](http://www.ftdichip.com/Support/Utilities.htm#FT_Prog)

### 9.1 Programming the embedded eFUSE over USB

The eFUSE in the FT260 can be programmed over USB. This method is the same as for the MTP on other FTDI devices such as the FT-X series. Note that in order to program eFUSE, the FT260 requires an additional programming voltage (3.8V) on FSOURCE (pin-25 @ WQFN28 ; pin-1 @ TSSOP28). The programming board, UMFTPD3A, can supply an easy connection bridge between the FT260 and a USB host for supplying the power source to FSOURCE and for communicating with the programming utility FT\_Prog.

#### 9.1.1 Default Values

The parameters defined in eFUSE are shown in Table 9.1. Default values are defined in the hardware design of the FT260. If the parameters defined in eFUSE are enabled, the settings in eFUSE will replace the default value.

Parameter	Default Value	Notes
USB Vendor ID (VID)	0403h	USB Vendor ID. Defined in the USB device descriptor. The format is 16-bit hex coded and default is set as FTDI VID.
USB Product ID (PID)	6030h	USB Product ID. Defined in the USB device descriptor. The format is 16-bit hex coded and default is set as 6030h for FT260.

Parameter	Default Value	Notes
Power Source	Bus Powered	Define whether the power source is from the USB bus or a local source.
Max Bus Power Current	100mA	The max power that will be drawn from VBUS when using bus power. Range from 0~500mA. If the power source is defined as self-powered, it must be set as 0mA.
Remote Wake Up	Enable	Define if the FT260 supports remote wake up or not.
GPIO2 Function	SUSPOUT_N	The GPIO2 pin can be set as one of the alternative functions: <ul style="list-style-type: none"> <li>- GPIO2</li> <li>- PWREN# (low active), device ready indicator</li> <li>- TX_LED, UART TX transferring indicator</li> <li>- SUSPOUT_N, USB suspend low-active indicator.</li> </ul>
GPIOA Function	TX_ACTIVE	The GPIOA pin can be set as one of the alternative functions: <ul style="list-style-type: none"> <li>- GPIOA</li> <li>- TX_LED, UART TX transferring indicator</li> <li>- TX_ACTIVE</li> </ul>
GPIOG Function	BCD_DET	The GPIOG pin can be set as one of the alternative functions: <ul style="list-style-type: none"> <li>- GPIOG</li> <li>- PWREN# (low active), device ready indicator</li> <li>- RX_LED, UART RX receiving indicator</li> <li>- BCD_DET, Battery Charger Detection indicator</li> </ul>
UART Drive Strength	4mA	Adjustable drive strength for UART related pins TXD/RXD, CTS/RTS, DTR/DSR, TX_ACTIVE. Drive strength can be set as 4mA, 8mA, 12mA and 16mA
GPIO Drive Strength	4mA	Adjustable drive strength for GPIO related pins GPIO0, GPIO1, GPIO2, GPIO3, GPIO4, and GPIO5. Drive strength can be set as 4mA, 8mA, 12mA and 16mA
BCD_DET Function Disable?	No	Battery Charger Detection function can be disabled on BCD_DET pin.
BCD_DET Drive Strength	4mA	Adjustable drive strength for BCD_DET pin. Drive strength can be set as 4mA, 8mA, 12mA and 16mA
BCD_DET Polarity	Active-high	Set the polarity on BCD_DET pin for indicating battery charge detected. Default is set as active-high.
Power Saving Mode	Enable	If power saving mode is enable and the FT260 is idle for 5 seconds, it will switch the system clock to 30KHz for saving power.
HID over I <sup>2</sup> C address	0h	The I <sup>2</sup> C slave address of the target HID-over-I <sup>2</sup> C device. The address 0h means no HID-over-I <sup>2</sup> C device connected.
HID over I <sup>2</sup> C Descriptor Address	0h	The start address of the descriptor of the target HID-over-I <sup>2</sup> C device.
HID over I <sup>2</sup> C Interrupt	Rising Edge	Define the interrupt trigger type of the target HID-over-I <sup>2</sup> C device. It can be: rising edge, falling edge, level-high, level-low.

Parameter	Default Value	Notes
HID over I <sup>2</sup> C Option	Supported	According to Microsoft HID over I <sup>2</sup> C Protocol Specification, the following requests are optional: - GET_IDLE/SET_IDLE supported or not? - GET_PROTOCOL/SET_PROTOCOL supported or not? - SET_POWER supported or not?

**Table 9.1 Parameters defined in internal eFUSE for FT260**

## 9.2 Programming the external EEPROM over USB

The external EEPROM can be programmed over USB, which is supported by FT\_PROG as most FTDI chips do.

The FT\_Prog utility is provided free-of-charge from the FTDI website, and can be found at the link below. The user guide is also available at this link.

[http://www.ftdichip.com/Support/Utilities.htm#FT\\_Prog](http://www.ftdichip.com/Support/Utilities.htm#FT_Prog)

Please note that a user needs to specify the data address type as one-byte or two-byte when programming the external EEPROM.

### 9.2.1 Supported EEPROM Spec

The FT260 supports an external EEPROM with I<sup>2</sup>C interface, slave address 0x50~0x57, and data size larger than 256 bytes. When the FT260 powers on, it will scan the I<sup>2</sup>C bus and try to find if an external EEPROM is present. If it is present, it will check the content and load the configuration data from the EEPROM into the FT260. Note that loading data from an external EEPROM is the last step of power-on, and it will overwrite the configuration data from eFUSE.

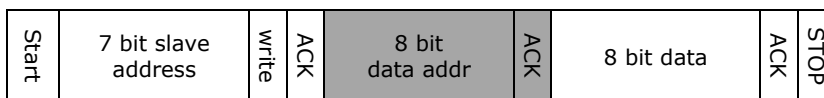
There are two different types of EEPROM. One has one-byte data address; the other one has two-byte data address. Usually, the first one has a data size smaller than 256 bytes, and the second one has a data size more than 256 bytes. It is not possible for the FT260 to automatically identify the EEPROM type, therefore, FT\_prog will require the user's input to specify the type of the external EEPROM.

In summary, the supported external EEPROM has:

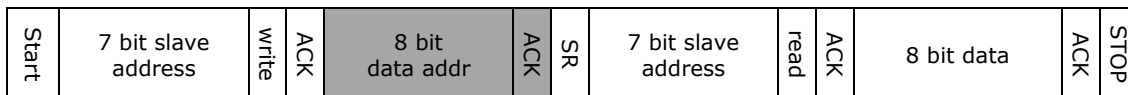
- I<sup>2</sup>C interface with slave address 0x50~0x57
- 256 bytes at least
- One-byte data address or two-byte data address

The protocol of one-byte data address EEPROM

Write:



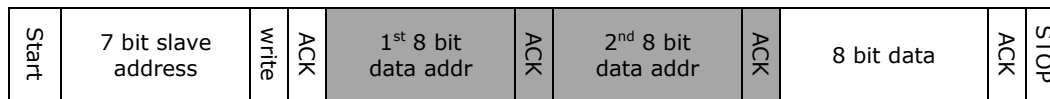
Read:



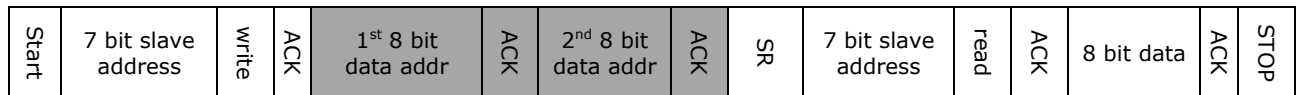
**Figure 9.1 Protocol Format for EEPROM with One Byte Data Address**

The protocol of two-byte data address EEPROM

Write:



Read:



**Figure 9.2 Protocol Format for EEPROM with Two Bytes Data Address**

Table9.2 shows the list of the external EEPROMs that are tested with the FT260.

Manufacturer	Part Number	Type
Atmel	AT24CS04-SSHM-TCT-ND 512 x 8	One-byte data address
Atmel	AT24C08D-PUM-ND 1K x 8	One-byte data address
Atmel	AT24CS16-SSHM-TCT-ND 2K x 8	One-byte data address
Atmel	AT24CM01 (1M bit)	Two-byte data address
On Semiconductor	CAT24C04WI-G-ND 512 x 8	One-byte data address
On Semiconductor	CAT24C08WI-GT3CT-ND 1k x 8	One-byte data address
On Semiconductor	CAT24C08WI-GT3CT-ND 2k x 8	One-byte data address
On Semiconductor	CAT24C512	Two-byte data address
Microchip	24AA08-I/SN-ND 1k x 8	One-byte data address
Microchip	24AA16-I/SN-ND 2k x 8	One-byte data address

**Table 9.2 Tested EEPROM List for FT260**

### 9.2.2 Default Values

The parameters defined in the EEPROM are shown in Table9.3. Default values are defined in the FT260. If an EEPROM exists in the application, the priority of the EEPROM is higher than default values.

Parameter	Default Value	Notes
Device Type	FT260	Read-Only. Indicate the Chip is FT260.
USB Vendor ID (VID)	0403h	USB Vendor ID. Defined in the USB device descriptor. The format is 16-bit hex coded and default is set as FTDI VID.
USB Product ID (PID)	6030h	USB Product ID. Defined in the USB device descriptor The format is 16-bit hex coded and default is set as 6030h for FT260.
USB Version	0200h	Read-only. Returns the USB 2.0 device descriptor to the host. Note: FT260 is a Full-speed USB2.0 device.
Power Source	Bus Powered	Define whether the power source is from the USB bus or a local source.
Max Bus Power Current	100mA	The max power that will be drawn from VBUS when using bus power. Range from 0~500mA. If the power source is defined as self-powered, it must be set as 0mA.



Parameter	Default Value	Notes
Remote Wake Up	Enable	Define if the FT260 supports remote wake up or not.
Manufacturer Name	FTDI	Describing the manufacturer. A string descriptor defined in USB device descriptors
Product Description	FT260	Describing the product. A string descriptor defined in USB device descriptors
Serial Number Enabled?	No	Enable the string descriptor for serial number or not.
Serial Number	None	A unique serial number is generated and programmed into the EEPROM. Refer to the Utility FT_Prog for details.
Suspend Out Polarity	Active-low	Set the polarity on GPIO2 pin for indicating suspend out. Default is set as active-low.
RI as Wake-Up	Disable	UART RI can be the source to remote wakeup the USB host when this remote wake up is allowed. - Disable (default) - Enable
RI Wake-Up Config	Falling Edge	Specify the criteria for RI to trigger a remote wake-up. - Falling Edge(default), RI from Logic-High to Low - Rising Edge, RI from Logic-Low to High
GPIO2 Function	SUSPOUT_N	The GPIO2 pin can be set as one of the alternative functions: - GPIO2 - PWREN# (low active), device ready indicator - TX_LED, UART TX transferring indicator - SUSPOUT_N/SUSPOUT, USB suspend indicator
GPIOA Function	TX_ACTIVE	The GPIOA pin can be set as one of the alternative functions: - GPIOA - TX_LED, UART TX transferring indicator - TX_ACTIVE
GPIOG Function	BCD_DET	The GPIOG pin can be set as one of the alternative functions: - GPIOG - PWREN# (low active), device ready indicator - RX_LED, UART RX receiving indicator - BCD_DET, Battery Charger Detection indicator
UART Drive Strength	4mA	Adjustable drive strength for UART related pins TXD/RXD, CTS/RTS, DTR/DSR, TX_ACTIVE. Drive strength can be set as 4mA, 8mA, 12mA and 16mA
UART Slew Rate Enable?	Disable	Set the slew rate control for UART related pins TXD/RXD, CTS/RTS, DTR/DSR, TX_ACTIVE. Default is disabled
GPIO Drive Strength	4mA	Adjustable drive strength for GPIO related pins GPIO0, GPIO1, GPIO2, GPIO3, GPIO4, and GPIO5. Drive strength can be set as 4mA, 8mA, 12mA and 16mA

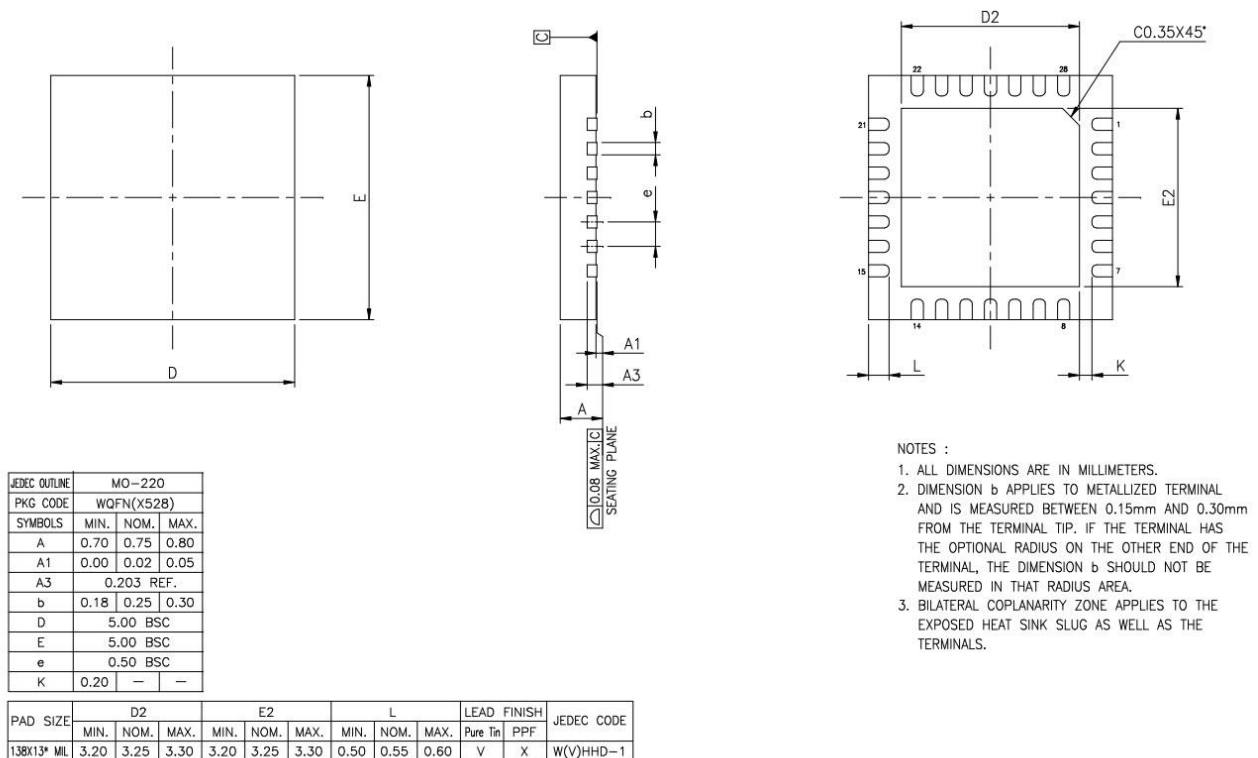
Parameter	Default Value	Notes
GPIO Weak Pullup/Pulldown	Disable	Enable the weak pullup / pulldown resistor on the pins GPIO0, GPIO1, GPIO2, GPIO3, GPIO4, and GPIO5. Default is disabled (without any pull).
GPIO Slew Rate Enable?	Disable	Set the slew rate control for GPIO related pins GPIO0, GPIO1, GPIO2, GPIO3, GPIO4, and GPIO5. Default is disabled
BCD_DET Function Disable?	No	Battery Charger Detection function can be disabled on BCD_DET pin.
BCD_DET Drive Strength	4mA	Adjustable drive strength for BCD_DET pin. Drive strength can be set as 4mA, 8mA, 12mA and 16mA
BCD_DET Polarity	Active-high	Set the polarity on BCD_DET pin for indicating battery charge detected. Default is set as active-high.
Interrupt Trigger	Level-high	Define the interrupt trigger type when GPIO3 is set as INTR/WAKEUP function. The possible settings are: rising edge, falling edge, level-high, level-low.
Trigger Level Setting	30ms	Interrupt level width select. When the interrupt is set to level trigger and it exceeds the specified level width, the interrupt signal will be generated. The level width can be set as 1ms, 5ms and 30ms.
Power Saving Mode	Enable	If power saving mode is enable and the FT260 is idle for 5 seconds, it will switch the system clock to 30KHz for saving power.
Pin Status During Suspend	No change	During suspend , each digital I/O pin of the FT260 can be set as <ul style="list-style-type: none"> <li>- No change, keep the original pin function</li> <li>- tristate</li> <li>- push low when suspend</li> <li>- push high when suspend</li> </ul>
HID over I <sup>2</sup> C address	0h	The I <sup>2</sup> C slave address of the target HID-over-I <sup>2</sup> C device. The address 0h means no HID-over-I <sup>2</sup> C device connected.
HID over I <sup>2</sup> C Descriptor Address	0h	The start address of the descriptor of the target HID-over-I <sup>2</sup> C device.
HID over I <sup>2</sup> C Interrupt	Rising Edge	Define the interrupt trigger type of the target HID-over-I <sup>2</sup> C device. It can be: rising edge, falling edge, level-high, level-low.
HID over I <sup>2</sup> C Option	Not supported	According to Microsoft HID over I <sup>2</sup> C Protocol Specification, the following requests are optional: <ul style="list-style-type: none"> <li>- GET_IDLE/ SET_IDLE supported or not</li> <li>- GET_PROTOCOL/ SET_PROTOCOL supported or not</li> <li>- SET_POWER supported or not</li> </ul>
HID over I <sup>2</sup> C Subclass	No Subclass	The HID subclass description. It can be: <ul style="list-style-type: none"> <li>- No Subclass</li> <li>- Boot Interface Subclass</li> </ul>
HID over I <sup>2</sup> C Protocol	None	The HID protocol code description. It can be: <ul style="list-style-type: none"> <li>- None</li> <li>- Keyboard</li> <li>- Mouse</li> </ul>

**Table 9.3 Parameters defined in external EEPROM for FT260**

## 10 Package Parameters

The FT260 is available in WQFN-28 and TSSOP-28 package. The solder reflow profile for WQFN-28 and TSSOP-28 is described in Section 10.5.

### 10.1 WQFN-28 Package Mechanical Dimensions



**NOTES :**

1. ALL DIMENSIONS ARE IN MILLIMETERS.
2. DIMENSION b APPLIES TO METALLIZED TERMINAL AND IS MEASURED BETWEEN 0.15mm AND 0.30mm FROM THE TERMINAL TIP. IF THE TERMINAL HAS THE OPTIONAL RADIUS ON THE OTHER END OF THE TERMINAL, THE DIMENSION b SHOULD NOT BE MEASURED IN THAT RADIUS AREA.
3. BILATERAL COPLANARITY ZONE APPLIES TO THE EXPOSED HEAT SINK SLUG AS WELL AS THE TERMINALS.

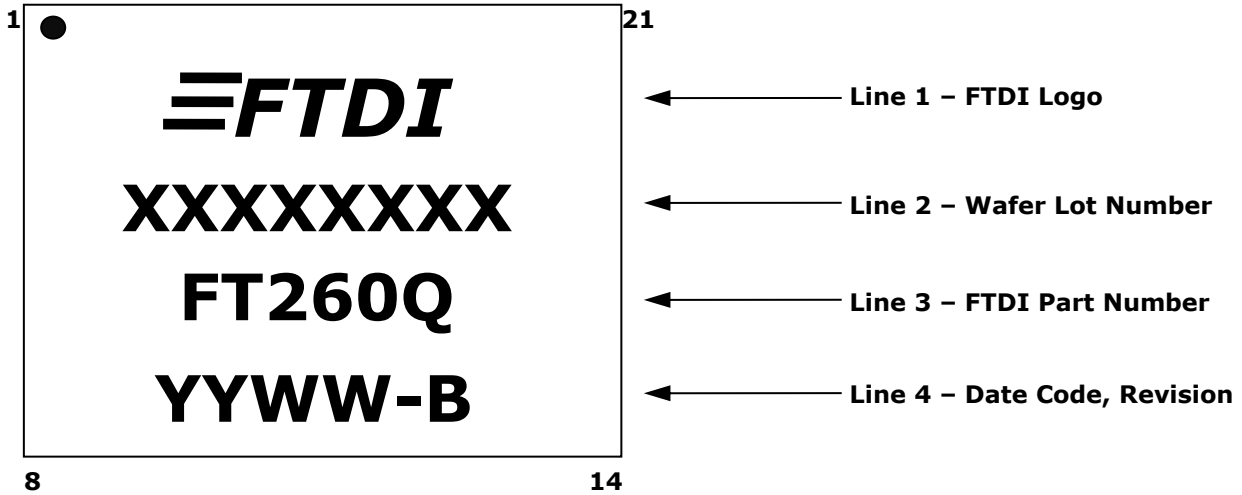
**Figure 10.1 WQFN-28 Package Dimensions**

The FT260Q is supplied in a RoHS2.0 compliant leadless WQFN-28 package. The package is lead (Pb) free, and uses a 'green' compound. The package is fully compliant with European Union REACH 2006/121/EC.

This package is nominally 5.00mm x 5.00mm. The solder pads are on a 0.5mm pitch. The above mechanical drawing shows the WQFN-28 package. All dimensions are in millimetres.

The centre pad on the base of the FT260Q is internally connected to GND and the PCB should not have signal tracking on the top layer under this area. Connect to GND.

## 10.2 WQFN-28 Package Markings

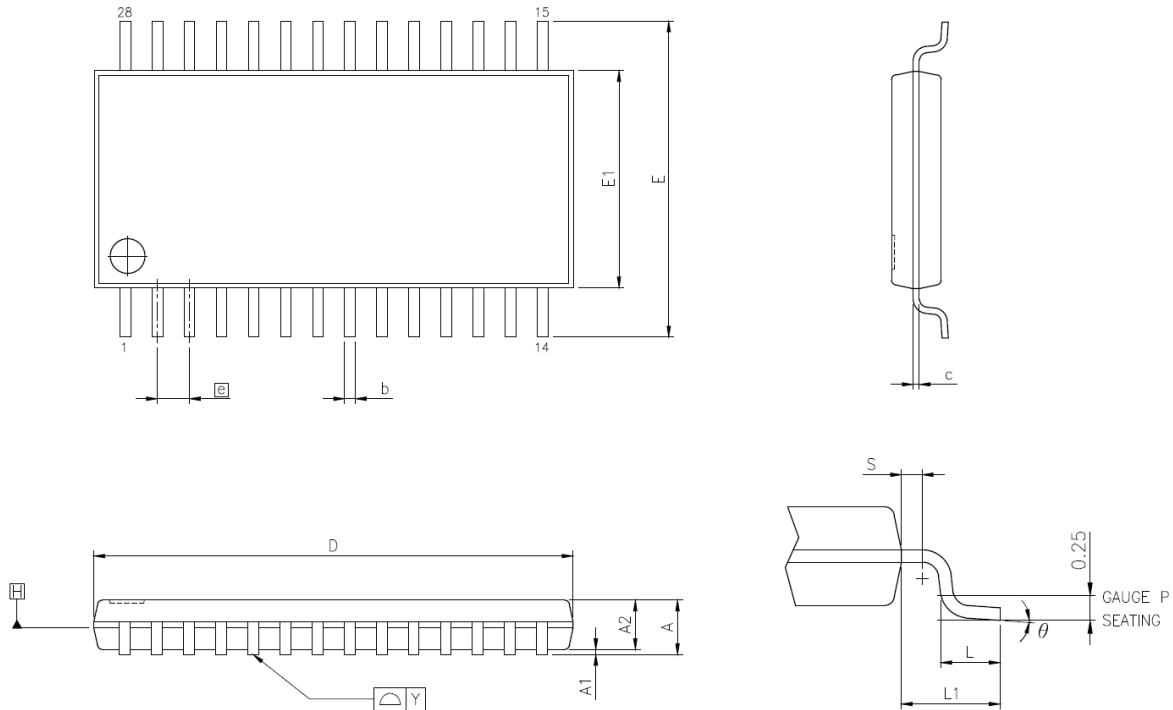


**Figure 10.2 WQFN-28 Package Markings**

The date code format is **YYWW** where WW = 2 digit week number, YY = 2 digit year number. This is followed by the revision number.

The code **XXXXXXXXXX** is the manufacturing LOT code

### 10.3 TSSOP-28 Package Mechanical Dimensions



VARIATIONS (ALL DIMENSIONS SHOWN IN MM)

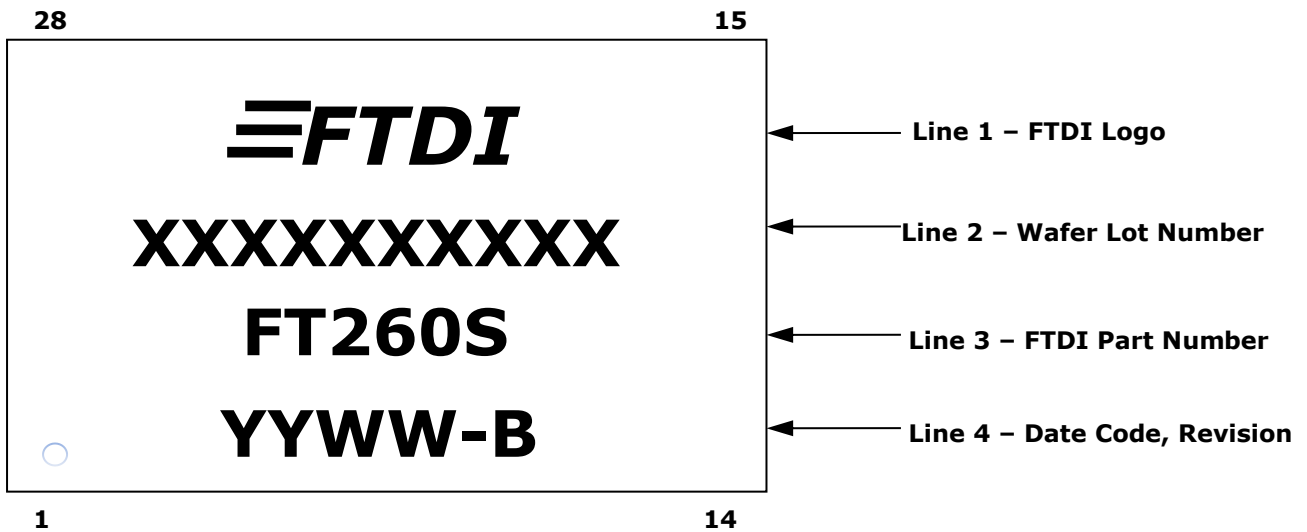
SYMBOLS	MIN.	NOM.	MAX.
A	—	—	1.20
A1	0.00	—	0.15
A2	0.80	1.00	1.05
b	0.19	—	0.30
c	0.09	—	0.20
D	9.60	9.70	9.80
E1	4.30	4.40	4.50
E	6.40 BSC		
$e$	0.65 BSC		
L1	1.00 REF		
L	0.45	0.60	0.75
S	0.20	—	—
$\theta$	0°	—	8°
Y	0.10		

**Figure 10.3 TSSOP-28 Package Dimensions**

The FT260S is supplied in a RoHS2.0 compliant leadless TSSOP-28 package. The package is lead (Pb) free, and uses a 'green' compound. The package is fully compliant with European Union REACH 2006/121/EC.

This package is nominally 9.70mm x 4.40mm. The above mechanical drawing shows the TSSOP-28 package. All dimensions are in millimetres.

## 10.4 TSSOP-28 Package Markings



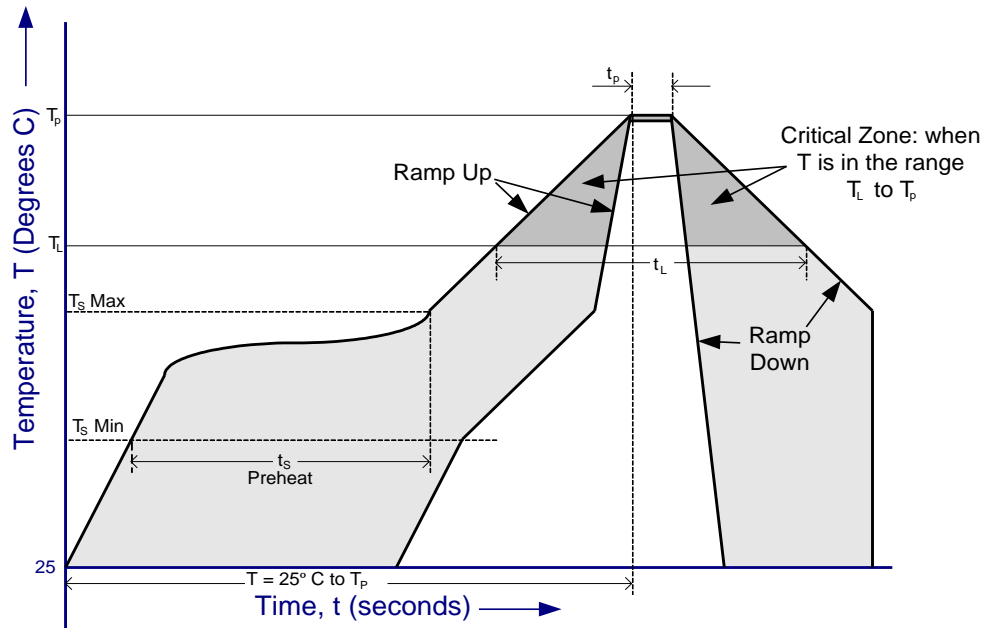
**Figure 10.4 TSSOP-28 Package Markings**

The date code format is **YYWW** where WW = 2 digit week number, YY = 2 digit year number. This is followed by the revision number.

The code **XXXXXXXX** is the manufacturing LOT code

## 10.5 Solder Reflow Profile

The FT260 is supplied in a Pb free WQFN-28 and TSSOP-28 package. The recommended solder reflow profile is shown in Figure 10.3.



**Figure 10.5 FT260 Solder Reflow Profile**

The recommended values for the solder reflow profile are detailed in Table 10.1. Values are shown for both a completely Pb free solder process (i.e. the FT260 is used with Pb free solder), and for a non-Pb free solder process (i.e. the FT260 is used with non-Pb free solder).

Profile Feature	Pb Free Solder Process	Non-Pb Free Solder Process
Average Ramp Up Rate ( $T_s$ to $T_p$ )	3°C / second Max.	3°C / Second Max.
Preheat - Temperature Min ( $T_s$ Min.) - Temperature Max ( $T_s$ Max.) - Time ( $t_s$ Min to $t_s$ Max)	150°C 200°C 60 to 120 seconds	100°C 150°C 60 to 120 seconds
Time Maintained Above Critical Temperature $T_L$ : - Temperature ( $T_L$ ) - Time ( $t_L$ )	217°C 60 to 150 seconds	183°C 60 to 150 seconds
Peak Temperature ( $T_p$ )	260°C	240°C
Time within 5°C of actual Peak Temperature ( $t_p$ )	20 to 40 seconds	20 to 40 seconds
Ramp Down Rate	6°C / second Max.	6°C / second Max.
Time for $T = 25^\circ\text{C to Peak Temperature, } T_p$	8 minutes Max.	6 minutes Max.

**Table 10.1 Reflow Profile Parameter Values**

## 11 Contact Information

### Head Office – Glasgow, UK

Future Technology Devices International Limited  
Unit 1, 2 Seaward Place, Centurion Business Park  
Glasgow G41 1HH  
United Kingdom  
Tel: +44 (0) 141 429 2777  
Fax: +44 (0) 141 429 2758

E-mail (Sales) [sales1@ftdichip.com](mailto:sales1@ftdichip.com)  
E-mail (Support) [support1@ftdichip.com](mailto:support1@ftdichip.com)  
E-mail (General Enquiries) [admin1@ftdichip.com](mailto:admin1@ftdichip.com)

### Branch Office – Tigard, Oregon, USA

Future Technology Devices International Limited (USA)  
7130 SW Fir Loop  
Tigard, OR 97223-8160  
USA  
Tel: +1 (503) 547 0988  
Fax: +1 (503) 547 0987

E-mail (Sales) [us.sales@ftdichip.com](mailto:us.sales@ftdichip.com)  
E-mail (Support) [us.support@ftdichip.com](mailto:us.support@ftdichip.com)  
E-mail (General Enquiries) [us.admin@ftdichip.com](mailto:us.admin@ftdichip.com)

### Branch Office – Taipei, Taiwan

Future Technology Devices International Limited (Taiwan)  
2F, No. 516, Sec. 1, NeiHu Road  
Taipei 114  
Taiwan, R.O.C.  
Tel: +886 (0) 2 8797 1330  
Fax: +886 (0) 2 8751 9737

E-mail (Sales) [tw.sales1@ftdichip.com](mailto:tw.sales1@ftdichip.com)  
E-mail (Support) [tw.support1@ftdichip.com](mailto:tw.support1@ftdichip.com)  
E-mail (General Enquiries) [tw.admin1@ftdichip.com](mailto:tw.admin1@ftdichip.com)

### Branch Office – Shanghai, China

Future Technology Devices International Limited (China)  
Room 1103, No. 666 West Huaihai Road,  
Shanghai, 200052  
China  
Tel: +86 21 62351596  
Fax: +86 21 62351595

E-mail (Sales) [cn.sales@ftdichip.com](mailto:cn.sales@ftdichip.com)  
E-mail (Support) [cn.support@ftdichip.com](mailto:cn.support@ftdichip.com)  
E-mail (General Enquiries) [cn.admin@ftdichip.com](mailto:cn.admin@ftdichip.com)

### Web Site

<http://ftdichip.com>

### Distributor and Sales Representatives

Please visit the Sales Network page of the [FTDI Web site](#) for the contact details of our distributor(s) and sales representative(s) in your country.

System and equipment manufacturers and designers are responsible to ensure that their systems, and any Future Technology Devices International Ltd (FTDI) devices incorporated in their systems, meet all applicable safety, regulatory and system-level performance requirements. All application-related information in this document (including application descriptions, suggested FTDI devices and other materials) is provided for reference only. While FTDI has taken care to assure it is accurate, this information is subject to customer confirmation, and FTDI disclaims all liability for system designs and for any applications assistance provided by FTDI. Use of FTDI devices in life support and/or safety applications is entirely at the user's risk, and the user agrees to defend, indemnify and hold harmless FTDI from any and all damages, claims, suits or expense resulting from such use. This document is subject to change without notice. No freedom to use patents or other intellectual property rights is implied by the publication of this document. Neither the whole nor any part of the information contained in, or the product described in this document, may be adapted or reproduced in any material or electronic form without the prior written consent of the copyright holder. Future Technology Devices International Ltd, Unit 1, 2 Seaward Place, Centurion Business Park, Glasgow G41 1HH, United Kingdom. Scotland Registered Company Number: SC136640



## **Appendix A – References**

### **Document References**

#### **Application Notes**

[AN\\_394 User Guide for FT260](#)

[AN\\_395 User Guide for LibFT260](#)

[AN\\_124 User Guide for FTDI FT\\_Prog Utility](#)

[AN\\_184 FTDI Device Input Output Pin States](#)

[AN\\_175 Battery Charger Detection Over USB with FT-X Devices](#)

#### **Technical Notes**

[TN\\_100 USB Vendor ID/Product ID Guidelines](#)

[TN\\_111 What is UART](#)

#### **Datasheets**

[DS\\_UMFT260EV](#)

[UMFTPD3A Program Module Datasheet](#)

#### **FT\_PROG Utility**

[http://www.ftdichip.com/Support/Utilities.htm#FT\\_Prog](http://www.ftdichip.com/Support/Utilities.htm#FT_Prog)

#### **Related Document or Specification**

<http://i2c2p.twibright.com/spec/i2c.pdf>

[https://msdn.microsoft.com/en-us/library/windows/hardware/dn642101\(v=vs.85\).aspx](https://msdn.microsoft.com/en-us/library/windows/hardware/dn642101(v=vs.85).aspx)

[https://msdn.microsoft.com/en-US/library/jj131705\(v=vs.85\).aspx](https://msdn.microsoft.com/en-US/library/jj131705(v=vs.85).aspx)

---

## Acronyms and Abbreviations

<b>Terms</b>	<b>Description</b>
API	Application Programming Interface
CTS	Clear To Send
DCD	Direct Carrier Detect
DLL	Dynamic Link Library
DSR	Data Set Ready
DTR	Data Terminal Ready
EEPROM	Electrically Erasable Programmable Read Only Memory
GPIO	General Purpose Input Output
HID	Human Interface Device
I2C	Inter-Integrated Circuit
LDO	Low Drop Out regulator
LED	Light-emitting diode
POR	Power-On-Reset
RTS	Request To Send
SIE	Serial Interface Engine
SSOP	Shrink Small Outline Package
USB	Universal Serial Bus
UART	Universal Asynchronous Receiver/Transmitter

## Appendix B - List of Figures and Tables

### List of Figures

Figure 2.1 FT260 Block Diagram .....	4
Figure 3.1 Pin Configuration WQFN-28 (top-down view).....	7
Figure 3.2 Pin Configuration TSSOP-28 (top-down view).....	8
Figure 5.1 I <sup>2</sup> C Bus Protocol .....	19
Figure 5.2 I <sup>2</sup> C Bus Timing .....	20
Figure 5.3 UART RX Waveform consist of 8 data bits, 1 optional parity bit and 1 stop bit .....	25
Figure 5.4 UART TX Waveform consist of 7 data bits, no parity bit and 1 stop bit .....	25
Figure 5.5 UART TX Waveform consist of 7 data bits, 1 optional parity bit and 1 stop bit .....	25
Figure 5.6 UART TX Waveform consisting 7 data bits, 1 optional parity bit and 2 stop bits .....	25
Figure 5.7 UART TX Waveform consisting 8 data bits, 1 optional parity bit and 2 stop bits .....	25
Figure 7.1 Bus Powered Configuration .....	34
Figure 7.2 Self Powered Configuration with 5V Source Input .....	35
Figure 7.3 Self Powered Configuration with 3.3V Source Input.....	36
Figure 7.4 Bus Powered Configuration with +1.8V/+2.5V I/O voltage Level.....	37
Figure 7.5 Recommended FT260 Configuration of System Pins .....	38
Figure 7.6 FSOURCE for eFUSE.....	39
Figure 8.1 Application Example 1: HID over I <sup>2</sup> C .....	40
Figure 8.2 Application Example 2: USB to RS232 Converter .....	41
Figure 8.3 Application Example 3: USB to RS485 Converter .....	42
Figure 8.4 Application Example 4 : USB to RS422 Converter .....	43
Figure 9.1 Protocol Format for EEPROM with One Byte Data Address .....	47
Figure 9.2 Protocol Format for EEPROM with Two Bytes Data Address .....	48
Figure 10.1 WQFN-28 Package Dimensions .....	51
Figure 10.2 WQFN-28 Package Markings.....	52
Figure 10.3 TSSOP-28 Package Dimensions .....	53
Figure 10.4 TSSOP-28 Package Markings .....	54
Figure 10.5 FT260 Solder Reflow Profile.....	55

### List of Tables

Table 3.1 FT260 Pin Description.....	11
Table 5.1 FT260 USB Device Interface Configuration .....	17
Table 5.2 I <sup>2</sup> C Timing for VCCIO=3.3V.....	21
Table 6.1 Absolute Maximum Ratings .....	28
Table 6.2 ESD and Latch-Up Specifications .....	28
Table 6.3 Operating Voltage and Current .....	29
Table 6.4 I/O Pin Characteristics VCCIO = +3.3V (except USB PHY pins) .....	30



# FT260 HID-CLASS USB TO UART/I2C BRIDGE IC

## Version 1.1

Document No.: FT\_001272 Clearance No.: FTDI#484

---

Table 6.5 I/O Pin Characteristics VCCIO = +2.5V (except USB PHY pins) .....	31
Table 6.6 I/O Pin Characteristics VCCIO = +1.8V (except USB PHY pins) .....	32
Table 6.7 USB I/O Pin (DP, DM) Characteristics .....	33
Table 9.1 Parameters defined in internal eFUSE for FT260 .....	46
Table 9.2 Tested EEPROM List for FT260 .....	48
Table 9.3 Parameters defined in external EEPROM for FT260 .....	50
Table 10.1 Reflow Profile Parameter Values.....	55

---

## Appendix C - Revision History

Document Title: FT260 HID-class USB to UART/I2C Bridge IC  
Document Reference No.: FT\_001272  
Clearance No.: FTDI#484  
Product Page: <http://www.ftdichip.com/Products/ICs/FT260.html>  
Document Feedback: [Send Feedback](#)

Revision	Changes	Date
Version 1.0	Initial Release	2016-02-23
Version 1.1	Updated to include FT260S information	2016-05-23



## Стандарт Электрон Связь

Мы молодая и активно развивающаяся компания в области поставок электронных компонентов. Мы поставляем электронные компоненты отечественного и импортного производства напрямую от производителей и с крупнейших складов мира.

Благодаря сотрудничеству с мировыми поставщиками мы осуществляем комплексные и плановые поставки широчайшего спектра электронных компонентов.

Собственная эффективная логистика и склад в обеспечивает надежную поставку продукции в точно указанные сроки по всей России.

Мы осуществляем техническую поддержку нашим клиентам и предпродажную проверку качества продукции. На все поставляемые продукты мы предоставляем гарантию .

Осуществляем поставки продукции под контролем ВП МО РФ на предприятия военно-промышленного комплекса России , а также работаем в рамках 275 ФЗ с открытием отдельных счетов в уполномоченном банке. Система менеджмента качества компании соответствует требованиям ГОСТ ISO 9001.

Минимальные сроки поставки, гибкие цены, неограниченный ассортимент и индивидуальный подход к клиентам являются основой для выстраивания долгосрочного и эффективного сотрудничества с предприятиями радиоэлектронной промышленности, предприятиями ВПК и научно-исследовательскими институтами России.

С нами вы становитесь еще успешнее!

### Наши контакты:

**Телефон:** +7 812 627 14 35

**Электронная почта:** [sales@st-electron.ru](mailto:sales@st-electron.ru)

**Адрес:** 198099, Санкт-Петербург,  
Промышленная ул, дом № 19, литера Н,  
помещение 100-Н Офис 331