

# 1M x 16 HIGH-SPEED ASYNCHRONOUS CMOS STATIC RAM WITH 3.3V SUPPLY

MAY 2012

## FEATURES

- High-speed access times:  
8, 10, 20 ns
- High-performance, low-power CMOS process
- Multiple center power and ground pins for greater noise immunity
- Easy memory expansion with  $\overline{CE}$  and  $\overline{OE}$  options
- $\overline{CE}$  power-down
- Fully static operation: no clock or refresh required
- TTL compatible inputs and outputs
- Single power supply  
 $V_{DD}$  1.65V to 2.2V (IS61WV102416ALL)  
speed = 20ns for  $V_{DD}$  1.65V to 2.2V  
 $V_{DD}$  2.4V to 3.6V (IS61/64WV102416BLL)  
speed = 10ns for  $V_{DD}$  2.4V to 3.6V  
speed = 8ns for  $V_{DD}$  3.3V  $\pm$  5%
- Packages available:
  - 48-ball miniBGA (9mm x 11mm)
  - 48-pin TSOP (Type I)
- Industrial and Automotive Temperature Support
- Lead-free available
- Data control for upper and lower bytes

## DESCRIPTION

The *ISSI* IS61WV102416ALL/BLL and IS64WV102416BLL are high-speed, 16M-bit static RAMs organized as 1024K words by 16 bits. It is fabricated using *ISSI*'s high-performance CMOS technology. This highly reliable process coupled with innovative circuit design techniques, yields high-performance and low power consumption devices.

When  $\overline{CE}$  is HIGH (deselected), the device assumes a standby mode at which the power dissipation can be reduced down with CMOS input levels.

Easy memory expansion is provided by using Chip Enable and Output Enable inputs,  $\overline{CE}$  and  $\overline{OE}$ . The active LOW Write Enable ( $\overline{WE}$ ) controls both writing and reading of the memory. A data byte allows Upper Byte ( $\overline{UB}$ ) and Lower Byte ( $\overline{LB}$ ) access.

The device is packaged in the JEDEC standard 48-pin TSOP Type I and 48-pin Mini BGA (9mm x 11mm).

## FUNCTIONAL BLOCK DIAGRAM



Copyright © 2006 Integrated Silicon Solution, Inc. All rights reserved. ISSI reserves the right to make changes to this specification and its products at any time without notice. ISSI assumes no liability arising out of the application or use of any information, products or services described herein. Customers are advised to obtain the latest version of this device specification before relying on any published information and before placing orders for products.

48-pin mini BGA (9mmx11mm)



**PIN DESCRIPTIONS**

|                 |                                 |
|-----------------|---------------------------------|
| A0-A19          | Address Inputs                  |
| I/O0-I/O15      | Data Inputs/Outputs             |
| CE              | Chip Enable Input               |
| OE              | Output Enable Input             |
| WE              | Write Enable Input              |
| LB              | Lower-byte Control (I/O0-I/O7)  |
| UB              | Upper-byte Control (I/O8-I/O15) |
| NC              | No Connection                   |
| V <sub>DD</sub> | Power                           |
| GND             | Ground                          |

48-pin TSOP-I (12mm x 20mm)



**PIN DESCRIPTIONS**

|                 |                                 |
|-----------------|---------------------------------|
| A0-A19          | Address Inputs                  |
| I/O0-I/O15      | Data Inputs/Outputs             |
| $\overline{CE}$ | Chip Enable Input               |
| $\overline{OE}$ | Output Enable Input             |
| $\overline{WE}$ | Write Enable Input              |
| $\overline{LB}$ | Lower-byte Control (I/O0-I/O7)  |
| $\overline{UB}$ | Upper-byte Control (I/O8-I/O15) |
| NC              | No Connection                   |
| VDD             | Power                           |
| GND             | Ground                          |

## TRUTH TABLE

| Mode            |                 |                 |                 |                 |                 | I/O PIN          |                  | V <sub>DD</sub> Current             |
|-----------------|-----------------|-----------------|-----------------|-----------------|-----------------|------------------|------------------|-------------------------------------|
|                 | $\overline{WE}$ | $\overline{CE}$ | $\overline{OE}$ | $\overline{LB}$ | $\overline{UB}$ | I/O0-I/O7        | I/O8-I/O15       |                                     |
| Not Selected    | X               | H               | X               | X               | X               | High-Z           | High-Z           | I <sub>SB1</sub> , I <sub>SB2</sub> |
| Output Disabled | H               | L               | H               | X               | X               | High-Z           | High-Z           | I <sub>CC</sub>                     |
|                 | X               | L               | X               | H               | H               | High-Z           | High-Z           |                                     |
| Read            | H               | L               | L               | L               | H               | D <sub>OUT</sub> | High-Z           | I <sub>CC</sub>                     |
|                 | H               | L               | L               | H               | L               | High-Z           | D <sub>OUT</sub> |                                     |
|                 | H               | L               | L               | L               | L               | D <sub>OUT</sub> | D <sub>OUT</sub> |                                     |
| Write           | L               | L               | X               | L               | H               | D <sub>IN</sub>  | High-Z           | I <sub>CC</sub>                     |
|                 | L               | L               | X               | H               | L               | High-Z           | D <sub>IN</sub>  |                                     |
|                 | L               | L               | X               | L               | L               | D <sub>IN</sub>  | D <sub>IN</sub>  |                                     |

## ABSOLUTE MAXIMUM RATINGS<sup>(1)</sup>

| Symbol            | Parameter                            | Value                         | Unit |
|-------------------|--------------------------------------|-------------------------------|------|
| V <sub>TERM</sub> | Terminal Voltage with Respect to GND | -0.5 to V <sub>DD</sub> + 0.5 | V    |
| V <sub>DD</sub>   | V <sub>DD</sub> Relates to GND       | -0.3 to 4.0                   | V    |
| T <sub>STG</sub>  | Storage Temperature                  | -65 to +150                   | °C   |
| P <sub>T</sub>    | Power Dissipation                    | 1.0                           | W    |

### Notes:

1. Stress greater than those listed under ABSOLUTE MAXIMUM RATINGS may cause permanent damage to the device. This is a stress rating only and functional operation of the device at these or any other conditions above those indicated in the operational sections of this specification is not implied. Exposure to absolute maximum rating conditions for extended periods may affect reliability.

## CAPACITANCE<sup>(1,2)</sup>

| Symbol           | Parameter                | Conditions            | Max. | Unit |
|------------------|--------------------------|-----------------------|------|------|
| C <sub>IN</sub>  | Input Capacitance        | V <sub>IN</sub> = 0V  | 6    | pF   |
| C <sub>I/O</sub> | Input/Output Capacitance | V <sub>OUT</sub> = 0V | 8    | pF   |

### Notes:

1. Tested initially and after any design or process changes that may affect these parameters.
2. Test conditions: T<sub>A</sub> = 25°C, f = 1 MHz, V<sub>DD</sub> = 3.3V.

**OPERATING RANGE (V<sub>DD</sub>) (IS61WV102416ALL)**

| Range      | Ambient Temperature | V <sub>DD</sub> (20 ns) |
|------------|---------------------|-------------------------|
| Commercial | 0°C to +70°C        | 1.65V-2.2V              |
| Industrial | -40°C to +85°C      | 1.65V-2.2V              |
| Automotive | -40°C to +125°C     | 1.65V-2.2V              |

**OPERATING RANGE (V<sub>DD</sub>) (IS61WV102416BLL)<sup>(1)</sup>**

| Range      | Ambient Temperature | V <sub>DD</sub> (8 ns) | V <sub>DD</sub> (10 ns) |
|------------|---------------------|------------------------|-------------------------|
| Commercial | 0°C to +70°C        | 3.3V ± 5%              | 2.4V-3.6V               |
| Industrial | -40°C to +85°C      | 3.3V ± 5%              | 2.4V-3.6V               |

**Note:**

1. When operated in the range of 2.4V-3.6V, the device meets 10ns. When operated in the range of 3.3V ± 5%, the device meets 8ns.

**OPERATING RANGE (V<sub>DD</sub>) (IS64WV102416BLL)**

| Range      | Ambient Temperature | V <sub>DD</sub> (10 ns) |
|------------|---------------------|-------------------------|
| Automotive | -40°C to +125°C     | 2.4V-3.6V               |

### DC ELECTRICAL CHARACTERISTICS (Over Operating Range)

$V_{DD} = 3.3V \pm 5\%$

| Symbol   | Parameter                        | Test Conditions                                   | Min. | Max.           | Unit          |
|----------|----------------------------------|---------------------------------------------------|------|----------------|---------------|
| $V_{OH}$ | Output HIGH Voltage              | $V_{DD} = \text{Min.}, I_{OH} = -4.0 \text{ mA}$  | 2.4  | —              | V             |
| $V_{OL}$ | Output LOW Voltage               | $V_{DD} = \text{Min.}, I_{OL} = 8.0 \text{ mA}$   | —    | 0.4            | V             |
| $V_{IH}$ | Input HIGH Voltage               |                                                   | 2    | $V_{DD} + 0.3$ | V             |
| $V_{IL}$ | Input LOW Voltage <sup>(1)</sup> |                                                   | -0.3 | 0.8            | V             |
| $I_{LI}$ | Input Leakage                    | $GND \leq V_{IN} \leq V_{DD}$                     | -1   | 1              | $\mu\text{A}$ |
| $I_{LO}$ | Output Leakage                   | $GND \leq V_{OUT} \leq V_{DD}$ , Outputs Disabled | -1   | 1              | $\mu\text{A}$ |

**Note:**

- $V_{IL} (\text{min.}) = -0.3V \text{ DC}; V_{IL} (\text{min.}) = -2.0V \text{ AC}$  (pulse width 2.0 ns). Not 100% tested.  
 $V_{IH} (\text{max.}) = V_{DD} + 0.3V \text{ DC}; V_{IH} (\text{max.}) = V_{DD} + 2.0V \text{ AC}$  (pulse width 2.0 ns). Not 100% tested.

### DC ELECTRICAL CHARACTERISTICS (Over Operating Range)

$V_{DD} = 2.4V-3.6V$

| Symbol   | Parameter                        | Test Conditions                                   | Min. | Max.           | Unit          |
|----------|----------------------------------|---------------------------------------------------|------|----------------|---------------|
| $V_{OH}$ | Output HIGH Voltage              | $V_{DD} = \text{Min.}, I_{OH} = -1.0 \text{ mA}$  | 1.8  | —              | V             |
| $V_{OL}$ | Output LOW Voltage               | $V_{DD} = \text{Min.}, I_{OL} = 1.0 \text{ mA}$   | —    | 0.4            | V             |
| $V_{IH}$ | Input HIGH Voltage               |                                                   | 2.0  | $V_{DD} + 0.3$ | V             |
| $V_{IL}$ | Input LOW Voltage <sup>(1)</sup> |                                                   | -0.3 | 0.8            | V             |
| $I_{LI}$ | Input Leakage                    | $GND \leq V_{IN} \leq V_{DD}$                     | -1   | 1              | $\mu\text{A}$ |
| $I_{LO}$ | Output Leakage                   | $GND \leq V_{OUT} \leq V_{DD}$ , Outputs Disabled | -1   | 1              | $\mu\text{A}$ |

**Note:**

- $V_{IL} (\text{min.}) = -0.3V \text{ DC}; V_{IL} (\text{min.}) = -2.0V \text{ AC}$  (pulse width 2.0 ns). Not 100% tested.  
 $V_{IH} (\text{max.}) = V_{DD} + 0.3V \text{ DC}; V_{IH} (\text{max.}) = V_{DD} + 2.0V \text{ AC}$  (pulse width 2.0 ns). Not 100% tested.

### DC ELECTRICAL CHARACTERISTICS (Over Operating Range)

$V_{DD} = 1.65V-2.2V$

| Symbol         | Parameter           | Test Conditions                                   | $V_{DD}$  | Min. | Max.           | Unit          |
|----------------|---------------------|---------------------------------------------------|-----------|------|----------------|---------------|
| $V_{OH}$       | Output HIGH Voltage | $I_{OH} = -0.1 \text{ mA}$                        | 1.65-2.2V | 1.4  | —              | V             |
| $V_{OL}$       | Output LOW Voltage  | $I_{OL} = 0.1 \text{ mA}$                         | 1.65-2.2V | —    | 0.2            | V             |
| $V_{IH}$       | Input HIGH Voltage  |                                                   | 1.65-2.2V | 1.4  | $V_{DD} + 0.2$ | V             |
| $V_{IL}^{(1)}$ | Input LOW Voltage   |                                                   | 1.65-2.2V | -0.2 | 0.4            | V             |
| $I_{LI}$       | Input Leakage       | $GND \leq V_{IN} \leq V_{DD}$                     |           | -1   | 1              | $\mu\text{A}$ |
| $I_{LO}$       | Output Leakage      | $GND \leq V_{OUT} \leq V_{DD}$ , Outputs Disabled |           | -1   | 1              | $\mu\text{A}$ |

**Notes:**

- $V_{IL} (\text{min.}) = -0.3V \text{ DC}; V_{IL} (\text{min.}) = -2.0V \text{ AC}$  (pulse width -2.0ns). Not 100% tested.  
 $V_{IH} (\text{max.}) = V_{DD} + 0.3V \text{ DC}; V_{IH} (\text{max.}) = V_{DD} + 2.0V \text{ AC}$  (pulse width -2.0ns). Not 100% tested.

**AC TEST CONDITIONS (HIGH SPEED)**

| Parameter                                                 | Unit<br>(2.4V-3.6V)   | Unit<br>(3.3V ± 5%)   | Unit<br>(1.65V-2.2V)  |
|-----------------------------------------------------------|-----------------------|-----------------------|-----------------------|
| Input Pulse Level                                         | 0.4V to $V_{DD}-0.3V$ | 0.4V to $V_{DD}-0.3V$ | 0.4V to $V_{DD}-0.2V$ |
| Input Rise and Fall Times                                 | 1.5ns                 | 1.5ns                 | 1.5ns                 |
| Input and Output Timing and Reference Level ( $V_{Ref}$ ) | $V_{DD}/2$            | $V_{DD}/2 + 0.05$     | $V_{DD}/2$            |
| Output Load                                               | See Figures 1 and 2   | See Figures 1 and 2   | See Figures 1 and 2   |

**AC TEST LOADS**



Figure 1.

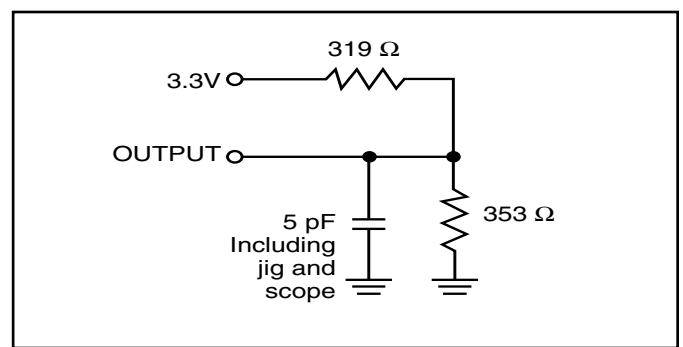


Figure 2.

**POWER SUPPLY CHARACTERISTICS<sup>(1)</sup>** (Over Operating Range)

| Symbol           | Parameter                                        | Test Conditions                                                                                                                                  |                     | -8   |      | -10  |      | -20  |      | Unit |
|------------------|--------------------------------------------------|--------------------------------------------------------------------------------------------------------------------------------------------------|---------------------|------|------|------|------|------|------|------|
|                  |                                                  |                                                                                                                                                  |                     | Min. | Max. | Min. | Max. | Min. | Max. |      |
| I <sub>CC</sub>  | V <sub>DD</sub> Dynamic Operating Supply Current | V <sub>DD</sub> = Max.,<br>I <sub>OUT</sub> = 0 mA, f = f <sub>MAX</sub><br>V <sub>IN</sub> = 0.4V or V <sub>DD</sub> - 0.3V                     | Com.                | —    | 110  | —    | 90   | —    | 50   | mA   |
|                  |                                                  |                                                                                                                                                  | Ind.                | —    | 115  | —    | 95   | —    | 60   |      |
|                  |                                                  |                                                                                                                                                  | Auto.               | —    | —    | —    | 140  | —    | 100  |      |
|                  |                                                  |                                                                                                                                                  | typ. <sup>(2)</sup> |      |      | 60   |      |      |      |      |
| I <sub>CC1</sub> | Operating Supply Current                         | V <sub>DD</sub> = Max.,<br>I <sub>OUT</sub> = 0 mA, f = 0<br>V <sub>IN</sub> = 0.4V or V <sub>DD</sub> - 0.3V                                    | Com.                | —    | 85   | —    | 85   | —    | 45   | mA   |
|                  |                                                  |                                                                                                                                                  | Ind.                | —    | 90   | —    | 90   | —    | 55   |      |
|                  |                                                  |                                                                                                                                                  | Auto.               | —    | —    | —    | 110  | —    | 90   |      |
| I <sub>SB1</sub> | TTL Standby Current (TTL Inputs)                 | V <sub>DD</sub> = Max.,<br>V <sub>IN</sub> = V <sub>IH</sub> or V <sub>IL</sub><br>$\overline{CE} \geq V_{IH}$ , f = 0                           | Com.                | —    | 30   | —    | 30   | —    | 30   | mA   |
|                  |                                                  |                                                                                                                                                  | Ind.                | —    | 35   | —    | 35   | —    | 35   |      |
|                  |                                                  |                                                                                                                                                  | Auto.               | —    | —    | —    | 70   | —    | 70   |      |
| I <sub>SB2</sub> | CMOS Standby Current (CMOS Inputs)               | V <sub>DD</sub> = Max.,<br>$\overline{CE} \geq V_{DD} - 0.2V$ ,<br>V <sub>IN</sub> ≥ V <sub>DD</sub> - 0.2V, or<br>V <sub>IN</sub> ≤ 0.2V, f = 0 | Com.                | —    | 20   | —    | 20   | —    | 20   | mA   |
|                  |                                                  |                                                                                                                                                  | Ind.                | —    | 25   | —    | 25   | —    | 25   |      |
|                  |                                                  |                                                                                                                                                  | Auto.               | —    | —    | —    | 60   | —    | 60   |      |
|                  |                                                  |                                                                                                                                                  | typ. <sup>(2)</sup> |      |      | 4    |      |      |      |      |

**Note:**

1. At f = f<sub>MAX</sub>, address and data inputs are cycling at the maximum frequency, f = 0 means no input lines change.
2. Typical values are measured at V<sub>DD</sub> = 3.0V, T<sub>A</sub> = 25°C and not 100% tested.



**READ CYCLE SWITCHING CHARACTERISTICS<sup>(1)</sup>** (Over Operating Range)

| Symbol                          | Parameter                                          | -8   |      | -10  |      | Unit |
|---------------------------------|----------------------------------------------------|------|------|------|------|------|
|                                 |                                                    | Min. | Max. | Min. | Max. |      |
| t <sub>RC</sub>                 | Read Cycle Time                                    | 8    | —    | 10   | —    | ns   |
| t <sub>AA</sub>                 | Address Access Time                                | —    | 8    | —    | 10   | ns   |
| t <sub>OHA</sub>                | Output Hold Time                                   | 2.5  | —    | 2.5  | —    | ns   |
| t <sub>ACE</sub>                | $\overline{CE}$ Access Time                        | —    | 8    | —    | 10   | ns   |
| t <sub>DOE</sub>                | $\overline{OE}$ Access Time                        | —    | 5.5  | —    | 6.5  | ns   |
| t <sub>HZOE<sup>(2)</sup></sub> | $\overline{OE}$ to High-Z Output                   | —    | 3    | —    | 4    | ns   |
| t <sub>LZOE<sup>(2)</sup></sub> | $\overline{OE}$ to Low-Z Output                    | 0    | —    | 0    | —    | ns   |
| t <sub>HZCE<sup>(2)</sup></sub> | $\overline{CE}$ to High-Z Output                   | 0    | 3    | 0    | 4    | ns   |
| t <sub>LZCE<sup>(2)</sup></sub> | $\overline{CE}$ to Low-Z Output                    | 3    | —    | 3    | —    | ns   |
| t <sub>BA</sub>                 | $\overline{LB}$ , $\overline{UB}$ Access Time      | —    | 5.5  | —    | 6.5  | ns   |
| t <sub>HZB<sup>(2)</sup></sub>  | $\overline{LB}$ , $\overline{UB}$ to High-Z Output | 0    | 3    | 0    | 3    | ns   |
| t <sub>LZB<sup>(2)</sup></sub>  | $\overline{LB}$ , $\overline{UB}$ to Low-Z Output  | 0    | —    | 0    | —    | ns   |
| t <sub>PU</sub>                 | Power Up Time                                      | 0    | —    | 0    | —    | ns   |
| t <sub>PD</sub>                 | Power Down Time                                    | —    | 8    | —    | 10   | ns   |

**Notes:**

1. Test conditions assume signal transition times of 3 ns or less, timing reference levels of 1.5V, input pulse levels of 0V to 3.0V and output loading specified in Figure 1.
2. Tested with the load in Figure 2. Transition is measured  $\pm 500$  mV from steady-state voltage.

**READ CYCLE SWITCHING CHARACTERISTICS<sup>(1)</sup> (Over Operating Range)**

| Symbol                          | Parameter                                          | -20 ns |      | Unit |
|---------------------------------|----------------------------------------------------|--------|------|------|
|                                 |                                                    | Min.   | Max. |      |
| t <sub>RC</sub>                 | Read Cycle Time                                    | 20     | —    | ns   |
| t <sub>AA</sub>                 | Address Access Time                                | —      | 20   | ns   |
| t <sub>OHA</sub>                | Output Hold Time                                   | 2.5    | —    | ns   |
| t <sub>ACE</sub>                | $\overline{CE}$ Access Time                        | —      | 20   | ns   |
| t <sub>DOE</sub>                | $\overline{OE}$ Access Time                        | —      | 8    | ns   |
| t <sub>HZOE<sup>(2)</sup></sub> | $\overline{OE}$ to High-Z Output                   | 0      | 8    | ns   |
| t <sub>LZOE<sup>(2)</sup></sub> | $\overline{OE}$ to Low-Z Output                    | 0      | —    | ns   |
| t <sub>HZCE<sup>(2)</sup></sub> | $\overline{CE}$ to High-Z Output                   | 0      | 8    | ns   |
| t <sub>LZCE<sup>(2)</sup></sub> | $\overline{CE}$ to Low-Z Output                    | 3      | —    | ns   |
| t <sub>BA</sub>                 | $\overline{LB}$ , $\overline{UB}$ Access Time      | —      | 8    | ns   |
| t <sub>HZB</sub>                | $\overline{LB}$ , $\overline{UB}$ to High-Z Output | 0      | 8    | ns   |
| t <sub>LZB</sub>                | $\overline{LB}$ , $\overline{UB}$ to Low-Z Output  | 0      | —    | ns   |

**Notes:**

1. Test conditions assume signal transition times of 1.5 ns or less, timing reference levels of 1.25V, input pulse levels of 0.4V to V<sub>DD</sub>-0.3V and output loading specified in Figure 1a.
2. Tested with the load in Figure 1b. Transition is measured ±500 mV from steady-state voltage. Not 100% tested.
3. Not 100% tested.

**AC WAVEFORMS**

**READ CYCLE NO. 1<sup>(1,2)</sup>** (Address Controlled) ( $\overline{CE} = \overline{OE} = V_{IL}$ )



**READ CYCLE NO. 2<sup>(1,3)</sup>** ( $\overline{CE}$  and  $\overline{OE}$  Controlled)



**Notes:**

1.  $\overline{WE}$  is HIGH for a Read Cycle.
2. The device is continuously selected.  $\overline{OE}$ ,  $\overline{CE} = V_{IL}$ .
3. Address is valid prior to or coincident with  $\overline{CE}$  LOW transitions.

**WRITE CYCLE SWITCHING CHARACTERISTICS<sup>(1,3)</sup> (Over Operating Range)**

| Symbol                          | Parameter                                                    | -8   |      | -10  |      | Unit |
|---------------------------------|--------------------------------------------------------------|------|------|------|------|------|
|                                 |                                                              | Min. | Max. | Min. | Max. |      |
| t <sub>WC</sub>                 | Write Cycle Time                                             | 8    | —    | 10   | —    | ns   |
| t <sub>SCE</sub>                | $\overline{CE}$ to Write End                                 | 6.5  | —    | 8    | —    | ns   |
| t <sub>AW</sub>                 | Address Setup Time to Write End                              | 6.5  | —    | 8    | —    | ns   |
| t <sub>HA</sub>                 | Address Hold from Write End                                  | 0    | —    | 0    | —    | ns   |
| t <sub>SA</sub>                 | Address Setup Time                                           | 0    | —    | 0    | —    | ns   |
| t <sub>PWB</sub>                | $\overline{LB}$ , $\overline{UB}$ Valid to End of Write      | 6.5  | —    | 8    | —    | ns   |
| t <sub>PWE1</sub>               | $\overline{WE}$ Pulse Width                                  | 6.5  | —    | 8    | —    | ns   |
| t <sub>PWE2</sub>               | $\overline{WE}$ Pulse Width ( $\overline{OE} = \text{LOW}$ ) | 8.0  | —    | 10   | —    | ns   |
| t <sub>SD</sub>                 | Data Setup to Write End                                      | 5    | —    | 6    | —    | ns   |
| t <sub>HD</sub>                 | Data Hold from Write End                                     | 0    | —    | 0    | —    | ns   |
| t <sub>HZWE<sup>(2)</sup></sub> | $\overline{WE}$ LOW to High-Z Output                         | —    | 3.5  | —    | 5    | ns   |
| t <sub>LZWE<sup>(2)</sup></sub> | $\overline{WE}$ HIGH to Low-Z Output                         | 2    | —    | 2    | —    | ns   |

**Notes:**

1. Test conditions assume signal transition times of 3 ns or less, timing reference levels of 1.5V, input pulse levels of 0V to 3.0V and output loading specified in Figure 1.
2. Tested with the load in Figure 2. Transition is measured  $\pm 500$  mV from steady-state voltage. Not 100% tested.
3. The internal write time is defined by the overlap of CE LOW and UB or LB, and WE LOW. All signals must be in valid states to initiate a Write, but any one can go inactive to terminate the Write. The Data Input Setup and Hold timing are referenced to the rising or falling edge of the signal that terminates the write. Shaded area product in development

**WRITE CYCLE SWITCHING CHARACTERISTICS<sup>(1,2)</sup>** (Over Operating Range)

| Symbol                          | Parameter                                               | -20 ns |      | Unit |
|---------------------------------|---------------------------------------------------------|--------|------|------|
|                                 |                                                         | Min.   | Max. |      |
| t <sub>WC</sub>                 | Write Cycle Time                                        | 20     | —    | ns   |
| t <sub>SCE</sub>                | $\overline{CE}$ to Write End                            | 12     | —    | ns   |
| t <sub>AW</sub>                 | Address Setup Time to Write End                         | 12     | —    | ns   |
| t <sub>HA</sub>                 | Address Hold from Write End                             | 0      | —    | ns   |
| t <sub>SA</sub>                 | Address Setup Time                                      | 0      | —    | ns   |
| t <sub>PWB</sub>                | $\overline{LB}$ , $\overline{UB}$ Valid to End of Write | 12     | —    | ns   |
| t <sub>PWE1</sub>               | $\overline{WE}$ Pulse Width ( $\overline{OE}$ = HIGH)   | 12     | —    | ns   |
| t <sub>PWE2</sub>               | $\overline{WE}$ Pulse Width ( $\overline{OE}$ = LOW)    | 17     | —    | ns   |
| t <sub>SD</sub>                 | Data Setup to Write End                                 | 9      | —    | ns   |
| t <sub>HD</sub>                 | Data Hold from Write End                                | 0      | —    | ns   |
| t <sub>HZWE<sup>(3)</sup></sub> | $\overline{WE}$ LOW to High-Z Output                    | —      | 9    | ns   |
| t <sub>LZWE<sup>(3)</sup></sub> | $\overline{WE}$ HIGH to Low-Z Output                    | 3      | —    | ns   |

**Notes:**

1. Test conditions for IS61WV6416LL assume signal transition times of 1.5ns or less, timing reference levels of 1.25V, input pulse levels of 0.4V to V<sub>DD</sub>-0.3V and output loading specified in Figure 1a.
2. Tested with the load in Figure 1b. Transition is measured ±500 mV from steady-state voltage. Not 100% tested.
3. The internal write time is defined by the overlap of  $\overline{CE}$  LOW and  $\overline{UB}$  or  $\overline{LB}$ , and  $\overline{WE}$  LOW. All signals must be in valid states to initiate a Write, but any one can go inactive to terminate the Write. The Data Input Setup and Hold timing are referenced to the rising or falling edge of the signal that terminates the write.

**AC WAVEFORMS**

**WRITE CYCLE NO. 1**<sup>(1,2)</sup> ( $\overline{CE}$  Controlled,  $\overline{OE}$  = HIGH or LOW)



AC WAVEFORMS

WRITE CYCLE NO. 2 ( $\overline{WE}$  Controlled.  $\overline{OE}$  is HIGH During Write Cycle) <sup>(1,2)</sup>

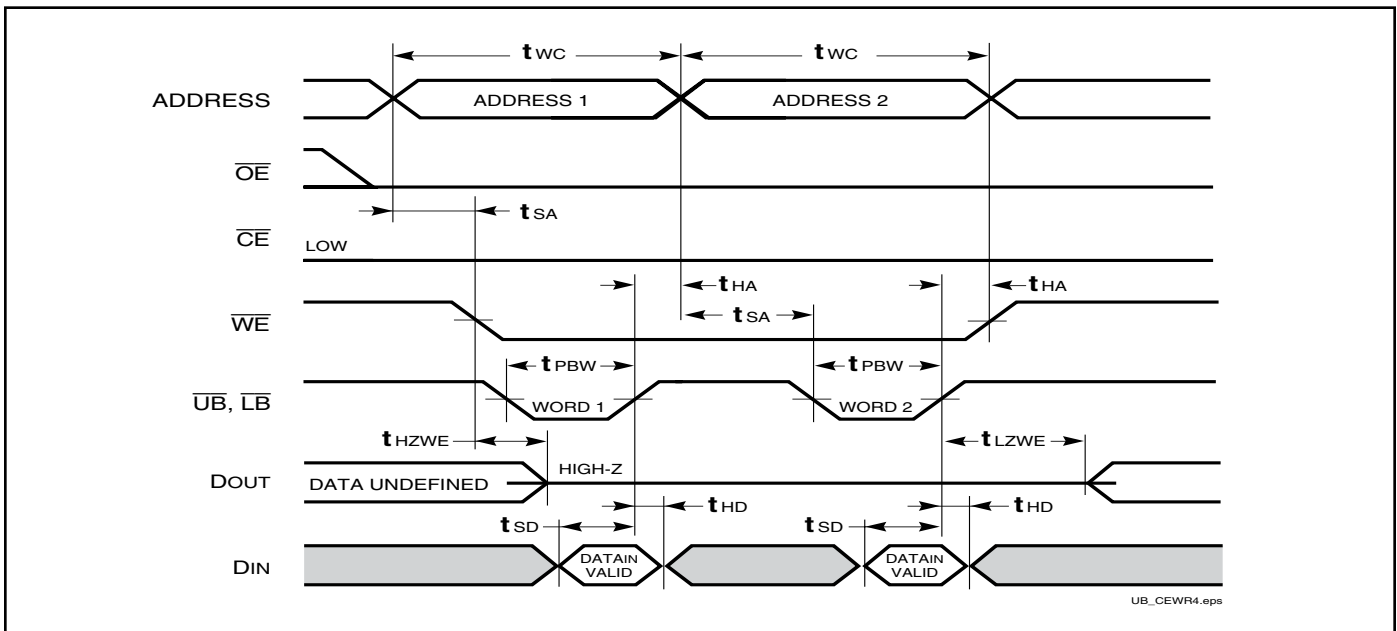


WRITE CYCLE NO. 3 ( $\overline{WE}$  Controlled.  $\overline{OE}$  is LOW During Write Cycle) <sup>(1)</sup>



AC WAVEFORMS

WRITE CYCLE NO. 4 ( $\overline{LB}$ ,  $\overline{UB}$  Controlled, Back-to-Back Write) <sup>(1,3)</sup>



Notes:

1. The internal Write time is defined by the overlap of  $\overline{CE} = \text{LOW}$ ,  $\overline{UB}$  and/or  $\overline{LB} = \text{LOW}$ , and  $\overline{WE} = \text{LOW}$ . All signals must be in valid states to initiate a Write, but any can be deasserted to terminate the Write. The  $t_{SA}$ ,  $t_{HA}$ ,  $t_{SD}$ , and  $t_{HD}$  timing is referenced to the rising or falling edge of the signal that terminates the Write.
2. Tested with  $\overline{OE}$  HIGH for a minimum of 4 ns before  $\overline{WE} = \text{LOW}$  to place the I/O in a HIGH-Z state.
3.  $\overline{WE}$  may be held LOW across many address cycles and the  $\overline{LB}$ ,  $\overline{UB}$  pins can be used to control the Write function.



### DATA RETENTION SWITCHING CHARACTERISTICS

| Symbol    | Parameter                   | Test Condition                                    | Min.          | Max.     | Unit |
|-----------|-----------------------------|---------------------------------------------------|---------------|----------|------|
| $V_{DR}$  | $V_{DD}$ for Data Retention | See Data Retention Waveform                       | 1.2           | 3.6      | V    |
| $I_{DR}$  | Data Retention Current      | $V_{DD} = 1.2V, \overline{CE} \geq V_{DD} - 0.2V$ | Ind.<br>Auto. | 20<br>50 | mA   |
| $t_{SDR}$ | Data Retention Setup Time   | See Data Retention Waveform                       | 0             | —        | ns   |
| $t_{RDR}$ | Recovery Time               | See Data Retention Waveform                       | $t_{RC}$      | —        | ns   |

### DATA RETENTION WAVEFORM ( $\overline{CE}$ Controlled)



## ORDERING INFORMATION

**Industrial Range: -40°C to +85°C**

**Voltage Range: 2.4V to 3.6V**

| Speed (ns)           | Order Part No.        | Package                             |
|----------------------|-----------------------|-------------------------------------|
| 10 (8 <sup>1</sup> ) | IS61WV102416BLL-10MI  | 48 mini BGA (9mm x 11mm)            |
|                      | IS61WV102416BLL-10MLI | 48 mini BGA (9mm x 11mm), Lead-free |
|                      | IS61WV102416BLL-10TLI | TSOP (Type I), Lead-free            |

Note:

1. Speed = 8ns for  $V_{DD} = 3.3V \pm 5\%$ . Speed = 10ns for  $V_{DD} = 2.4V - 3.6V$

**Industrial Range: -40°C to +85°C**

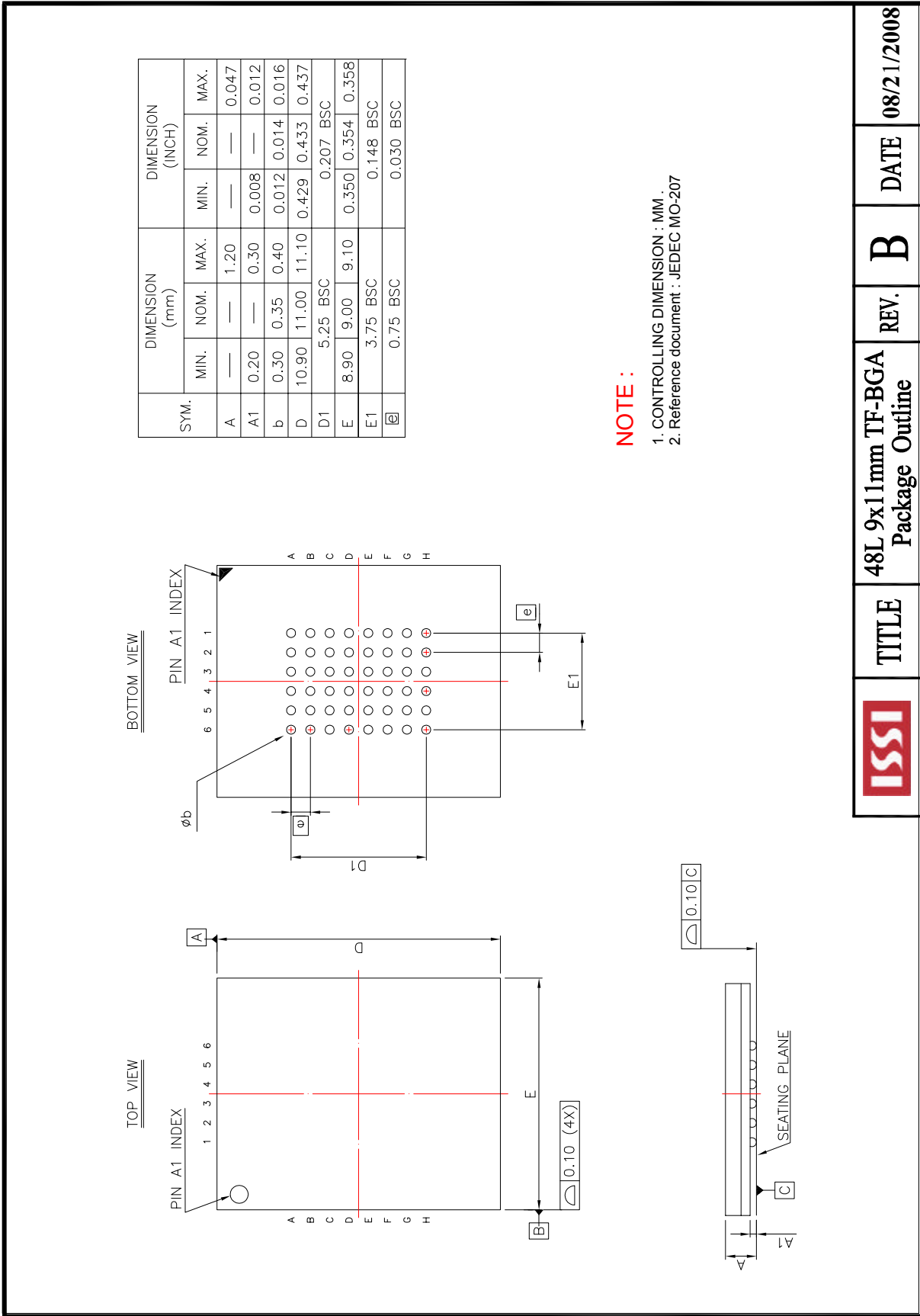
**Voltage Range: 1.65V to 2.2V**

| Speed (ns) | Order Part No.        | Package                  |
|------------|-----------------------|--------------------------|
| 20         | IS61WV102416ALL-20MI  | 48 mini BGA (9mm x 11mm) |
|            | IS61WV102416ALL-20TLI | TSOP (Type I), Lead-free |

**Automotive Range: -40°C to +125°C**

**Voltage Range: 2.4V to 3.6V**

| Speed (ns) | Order Part No.          | Package                                    |
|------------|-------------------------|--------------------------------------------|
| 10         | IS64WV102416BLL-10MA3   | 48 mini BGA (9mm x 11mm)                   |
|            | IS64WV102416BLL-10MLA3  | 48 mini BGA (9mm x 11mm), Lead-free        |
|            | IS64WV102416BLL-10CTLA3 | TSOP (Type I), Copper Leadframe, Lead-free |



|  |       |                                      |        |                 |
|--|-------|--------------------------------------|--------|-----------------|
|  | TITLE | 48L 9x11mm TF-BGA<br>Package Outline | REV. B | DATE 08/21/2008 |
|--|-------|--------------------------------------|--------|-----------------|



|             |                                    |             |             |
|-------------|------------------------------------|-------------|-------------|
| <b>ISSI</b> | <b>TITLE</b>                       | <b>REV.</b> | <b>DATE</b> |
|             | 48L 12x20mm TSOP-1 Package Outline | B           | 07/06/2006  |



## Стандарт Электрон Связь

Мы молодая и активно развивающаяся компания в области поставок электронных компонентов. Мы поставляем электронные компоненты отечественного и импортного производства напрямую от производителей и с крупнейших складов мира.

Благодаря сотрудничеству с мировыми поставщиками мы осуществляем комплексные и плановые поставки широчайшего спектра электронных компонентов.

Собственная эффективная логистика и склад в обеспечивает надежную поставку продукции в точно указанные сроки по всей России.

Мы осуществляем техническую поддержку нашим клиентам и предпродажную проверку качества продукции. На все поставляемые продукты мы предоставляем гарантию .

Осуществляем поставки продукции под контролем ВП МО РФ на предприятия военно-промышленного комплекса России , а также работаем в рамках 275 ФЗ с открытием отдельных счетов в уполномоченном банке. Система менеджмента качества компании соответствует требованиям ГОСТ ISO 9001.

Минимальные сроки поставки, гибкие цены, неограниченный ассортимент и индивидуальный подход к клиентам являются основой для выстраивания долгосрочного и эффективного сотрудничества с предприятиями радиоэлектронной промышленности, предприятиями ВПК и научно-исследовательскими институтами России.

С нами вы становитесь еще успешнее!

### Наши контакты:

**Телефон:** +7 812 627 14 35

**Электронная почта:** [sales@st-electron.ru](mailto:sales@st-electron.ru)

**Адрес:** 198099, Санкт-Петербург,  
Промышленная ул, дом № 19, литера Н,  
помещение 100-Н Офис 331