



# 7GHz, 1:2 CML FANOUT BUFFER/TRANSLATOR WITH INTERNAL I/O TERMINATION

Precision Edge®  
SY58011U

## FEATURES

- Precision 1:2, 400mV CML fanout buffer
- Low jitter performance:
  - 49fs<sub>RMS</sub> phase jitter (typ)
- Guaranteed AC performance over temperature/ voltage:
  - > 7GHz f<sub>MAX</sub> clock
  - < 60ps t<sub>r</sub> / t<sub>f</sub> times
  - < 250ps t<sub>pd</sub>
  - < 15ps max. skew
- Accepts an input signal as low as 100mV
- Unique input termination and V<sub>T</sub> pin accepts DC-coupled and AC-coupled differential inputs: LVPECL, LVDS, and CML
- 50ohms source terminated CML outputs
- Power supply 2.5V ±5% and 3.3V ±10%
- Industrial temperature range: -40°C to +85°C
- Available in 16-pin (3mm \* 3mm) QFN package



Precision Edge®

## DESCRIPTION

The SY58011U is a 2.5V/3.3V precision, high-speed, fully differential 1:2 CML fanout buffer. Optimized to provide two identical output copies with less than 15ps of skew and only 49fs<sub>RMS</sub> phase jitter, the SY58011U can process clock signals as fast as 7GHz or data patterns up to 10.7Gbps.

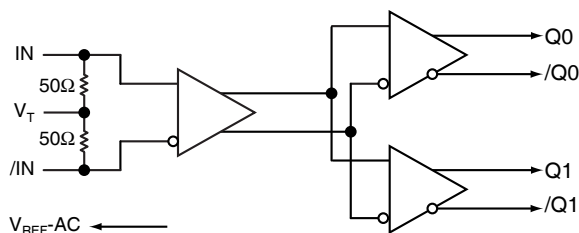
The differential input includes Micrel's unique, 3-pin input termination architecture that interfaces to LVPECL, LVDS, or CML differential signals, (AC-coupled or DC-coupled) as small as 100mV without any level-shifting or termination resistor networks in the signal path. For AC-coupled input interface applications, an on-board output reference voltage (V<sub>REF-AC</sub>) is provided to bias the V<sub>T</sub> pin. The outputs are compatible with 400mV typical swing into 50ohms loads, with extremely fast rise/fall times guaranteed to be less than 60ps.

The SY58011U operates from a 2.5V ±5% supply or 3.3V ±10% supply and is guaranteed over the full industrial temperature range (-40°C to +85°C). For applications that require LVPECL outputs, consider the SY58012U or SY58013U 1:2 fanout buffer with 800mV and 400mV output swing, respectively. The SY58011U is part of Micrel's high-speed, Precision Edge® product line. Datasheets and support documentation can be found on Micrel's web site at [www.micrel.com](http://www.micrel.com).

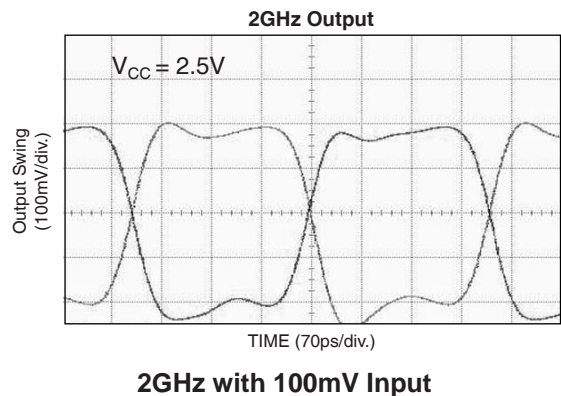
## APPLICATIONS

- All SONET and GigE clock distribution
- Fibre Channel clock and data distribution
- Backplanes
- Data distribution: OC-48, OC-48+FEC, XAUI
- High-end, low skew, multiprocessor synchronous clock distribution

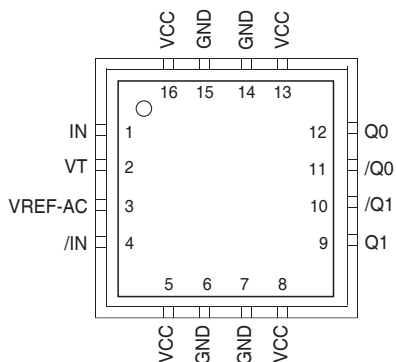
## FUNCTIONAL BLOCK DIAGRAM



## TYPICAL PERFORMANCE



**PACKAGE/ORDERING INFORMATION**



**16-Pin QFN (QFN-16)**

**Ordering Information<sup>(1)</sup>**

| Part Number                    | Package Type      | Operating Range | Package Marking                         |
|--------------------------------|-------------------|-----------------|---|
| SY58011UMG <sup>(3)</sup>      | QFN-16<br>Pb-Free | Industrial      | 011U with<br>Pb-Free bar-line indicator |
| SY58011UMGTR <sup>(2, 3)</sup> | QFN-16<br>Pb-Free | Industrial      | 011U with<br>Pb-Free bar-line indicator |

**Notes:**

1. Contact factory for die availability. Dice are guaranteed at  $T_A = 25^\circ\text{C}$ , DC electricals only. All devices are Pb-Free.
2. Tape and Reel.
3. Pb-Free package recommended for new designs.

**PIN DESCRIPTION**

| Pin Number      | Pin Name              | Pin Function   |
|-----------------|-----------------------|--|
| 1, 4            | IN, /IN               | Differential Input: This input pair is the signal to be buffered. Each pin of this pair internally terminates with 50ohms to the $V_T$ pin. Note that this input will default to an indeterminate state if left open. See <i>“Input Interface Applications”</i> section.   |
| 2               | VT                    | Input Termination Center-Tap: Each input terminates to this pin. The $V_T$ pin provides a center-tap for each input (IN, /IN) to a termination network for maximum interface flexibility. See <i>“Input Interface Applications”</i> section.   |
| 3               | VREF-AC               | Reference Output Voltage: This output biases to $V_{CC} - 1.2V$ . It is used when AC-coupling the inputs (IN, /IN). Connect $V_{REF-AC}$ directly to the $V_T$ pin. Bypass with 0.01 $\mu\text{F}$ low ESR capacitor to $V_{CC}$ . Maximum current source or sink is 0.5mA. See <i>“Input Interface Applications”</i> section. |
| 5, 8, 13, 16    | VCC                   | Positive Power Supply: Bypass with 0.1 $\mu\text{F}$ //0.01 $\mu\text{F}$ low ESR capacitors as close to the $V_{CC}$ pins as possible.  |
| 6, 7, 14, 15    | GND,<br>(Exposed Pad) | Ground. Exposed pad must be connected to a ground plane that is the same potential as the ground pin.  |
| 12, 11<br>9, 10 | Q0, /Q0,<br>Q1, /Q1   | CML Differential Output Pairs: Differential buffered output copy of the input signal. The output swing is typically 400mV. Unused output pairs may be left floating with no impact on jitter. See <i>“CML Output Termination”</i> section.   |

**Absolute Maximum Ratings**(Note 1)

Power Supply Voltage ( $V_{CC}$ ) ..... -0.5V to +4.0V  
 Input Voltage ( $V_{IN}$ ) ..... -0.5V to  $V_{CC}$   
 CML Output Voltage ( $V_{OUT}$ ) .....  $V_{CC}-1.0V$  to  $V_{CC}+0.5V$   
 Current ( $V_T$ )  
     Source or sink current on  $V_T$  pin .....  $\pm 100mA$   
 Input Current  
     Source or sink current on IN, /IN .....  $\pm 50mA$   
 Current ( $V_{REF}$ )  
     Source or sink current on  $V_{REF-AC}$ , **Note 4** .....  $\pm 1.5mA$   
 Lead Temperature Soldering, (20 seconds) ..... 260°C  
 Storage Temperature Range ( $T_{STORE}$ ) ... -65°C to +150°C

**Operating Ratings**(Note 2)

Supply Voltage ( $V_{CC}$ ) ..... +2.375V to +3.60V  
 Operating Temperature Range ( $T_A$ ) ..... -40°C to +85°C  
 Package Thermal Resistance, **Note 3**  
     QFN ( $\theta_{JA}$ )  
         Still-Air ..... 60°C/W  
         500lfpm ..... 54°C/W  
     QFN ( $\psi_{JB}$ ) ..... 33°C/W

**DC ELECTRICAL CHARACTERISTICS**(Note 5)

$T_A = -40^\circ C$  to  $+85^\circ C$

| Symbol         | Parameter                        | Condition               | Min          | Typ          | Max          | Units    |
|----------------|----------------------------------|-------------------------|--------------|--------------|--------------|----------|
| $V_{CC}$       | Power Supply Voltage             |                         | 2.375        |              | 3.60         | V        |
| $I_{CC}$       | Power Supply Current             | Max. $V_{CC}$ , no load |              | 75           | 95           | mA       |
| $V_{IH}$       | Input HIGH Voltage               | IN, /IN, Note 6         | $V_{CC}-1.6$ |              | $V_{CC}$     | V        |
| $V_{IL}$       | Input LOW Voltage                | IN, /IN                 | 0            |              | $V_{IH}-0.1$ | V        |
| $V_{IN}$       | Input Voltage Swing              | see Figure 1a.          | 0.1          |              | 1.7          | V        |
| $V_{DIFF\_IN}$ | Differential Input Voltage Swing | see Figure 1b.          | 0.2          |              |              | V        |
| $R_{IN}$       | Into $V_T$ Resistance            |                         | 40           | 50           | 60           | $\Omega$ |
| $V_{REF-AC}$   | Output Reference Voltage         |                         | $V_{CC}-1.3$ | $V_{CC}-1.2$ | $V_{CC}-1.1$ | V        |
| IN to $V_T$    |                                  |                         |              |              | 1.28         | V        |

**CML DC ELECTRICAL CHARACTERISTICS**(Note 5)

$V_{CC} = 3.3V \pm 10\%$  or  $2.5V \pm 5\%$ ;  $T_A = -40^\circ C$  to  $+85^\circ C$ ;  $R_L = 100\Omega$  across each output pair, or equivalent, unless otherwise stated.

| Symbol          | Parameter                         | Condition                        | Min            | Typ            | Max      | Units |
|-----------------|-----------------------------------|----------------------------------|----------------|----------------|----------|-------|
| $V_{OH}$        | Output HIGH Voltage               | Q0, /Q0, Q1, /Q1                 | $V_{CC}-0.020$ | $V_{CC}-0.010$ | $V_{CC}$ | V     |
| $V_{OUT}$       | Output Voltage Swing              | Q0, /Q0, Q1, /Q1; see Figure 1a. | 325            | 400            |          | mV    |
| $V_{DIFF\_OUT}$ | Differential Output Voltage Swing | Q0, /Q0, Q1, /Q1; see Figure 1b. | 650            | 800            |          | mV    |
| $R_{OUT}$       | Output Source Impedance           | Q0, /Q0, Q1, /Q1                 | 40             | 50             | 60       | ohms  |

**Notes:**

1. Permanent device damage may occur if absolute maximum ratings are exceeded. This is a stress rating only and functional operation is not implied at conditions other than those detailed in the operational sections of this data sheet. Exposure to absolute maximum ratings conditions for extended periods may affect device reliability.
2. The data sheet limits are not guaranteed if the device is operated beyond the operating ratings.
3. Thermal performance assumes exposed pad is soldered (or equivalent) to the device's most negative potential (gnd) on the pcb.
4. Due to the limited drive capability, use for input of the same package only.
5. The circuit is designed to meet the dc specifications shown in the above table after thermal equilibrium has been established.
6.  $V_{IH}$  (min) not lower than 1.2V.

**AC ELECTRICAL CHARACTERISTICS (Note 7)**

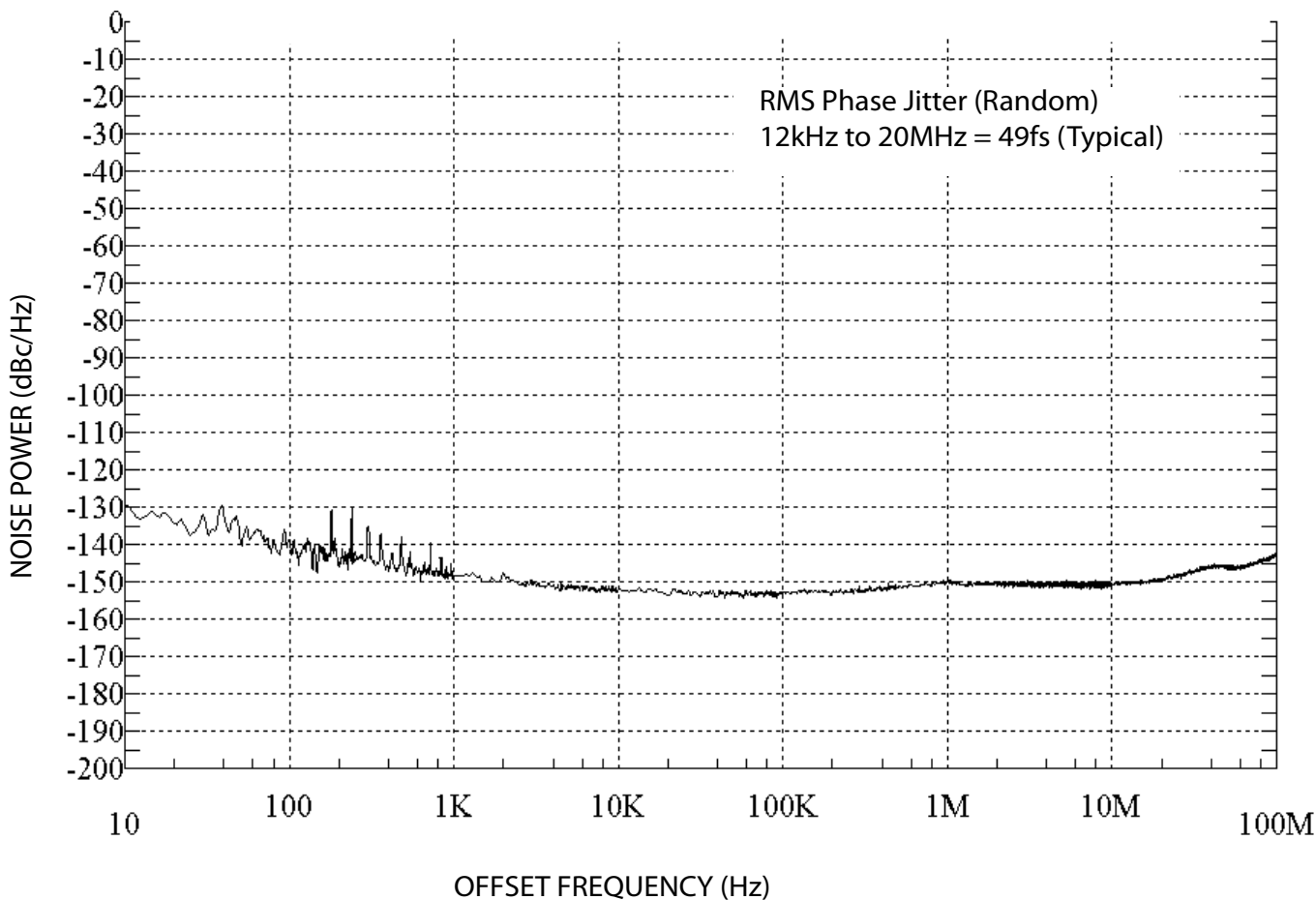
$V_{CC} = 2.5V \pm 5\%$  or  $3.3V \pm 10\%$ ;  $T_A = -40^{\circ}C$  to  $+85^{\circ}C$ ;  $R_L = 100\Omega$  across each output pair, or equivalent, unless otherwise stated.

| Symbol       | Parameter                   | Condition   | Min | Typ  | Max | Units             |
|--------------|-----------------------------|---|-----|------|-----|-------------------|
| $f_{MAX}$    | Maximum Operating Frequency | NRZ Data  |     | 10.7 |     | Gbps              |
|              |                             | $V_{OUT} > 200mV$ Clock                             | 7   | 8    |     | GHz               |
| $t_{pd}$     | Propagation Delay           | $V_{IN} > 100mV$                                    | 100 | 170  | 250 | ps                |
| $t_{CHAN}$   | Channel-to-Channel Skew     | <b>Note 8</b>                                       |     | 3    | 15  | ps                |
| $t_{SKEW}$   | Part-to-Part Skew           | <b>Note 9</b>                                       |     |      | 100 | ps                |
| $t_{JITTER}$ | RMS Phase Jitter            | Output = 622MHz<br>Integration Range: 12kHz - 20MHz |     | 49   |     | fs <sub>RMS</sub> |
| $t_r, t_f$   | Output Rise/Fall Time       | 20% to 80% at full output swing                     | 20  | 40   | 60  | ps                |

**Notes:**

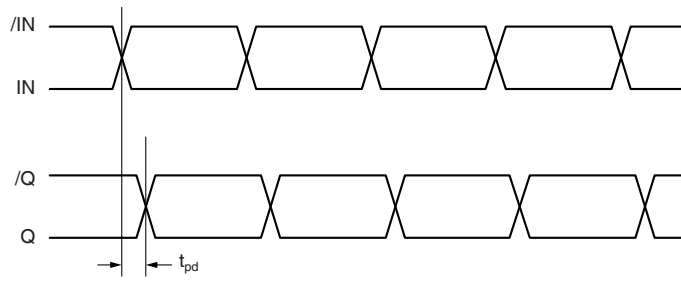
- 7. High frequency AC electricals are guaranteed by design and characterization.
- 8. Skew is measured between outputs of the same bank under identical transitions.
- 9. Skew is defined for two parts with identical power supply voltages at the same temperature and with no skew of the edges at the respective inputs.

**PHASE NOISE**



Phase Noise Plot: 622MHz @ 3.3V

**TIMING DIAGRAM**



**SINGLE-ENDED AND DIFFERENTIAL SWINGS**

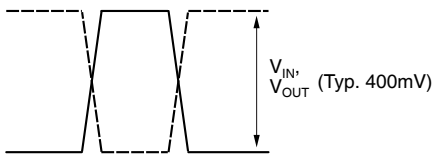


Figure 1a. Single-Ended Voltage Swing

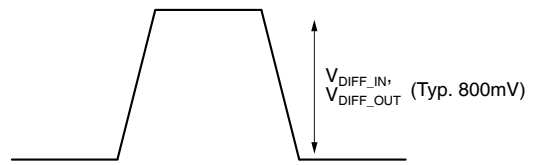
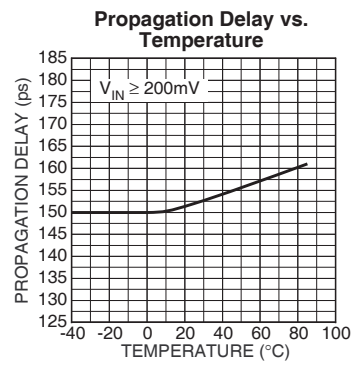
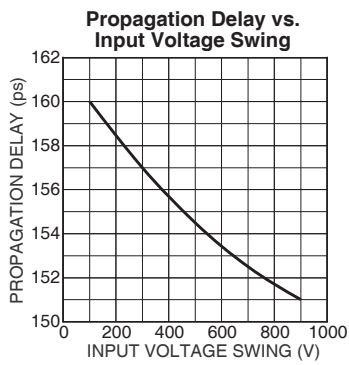
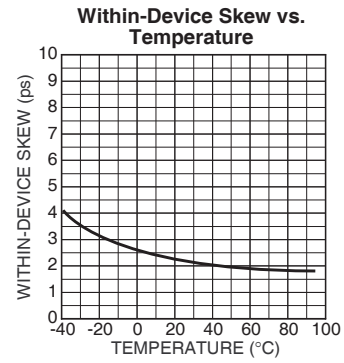
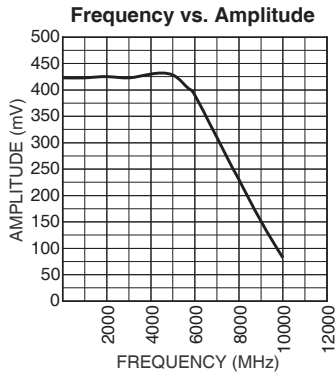


Figure 1b. Differential Voltage Swing

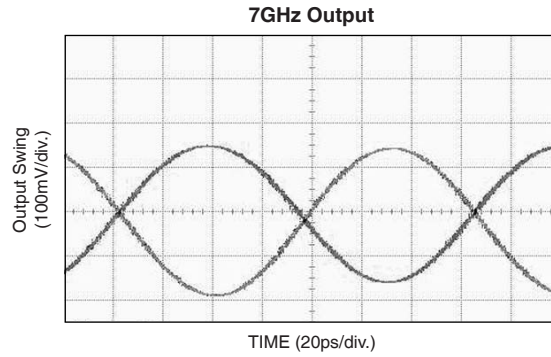
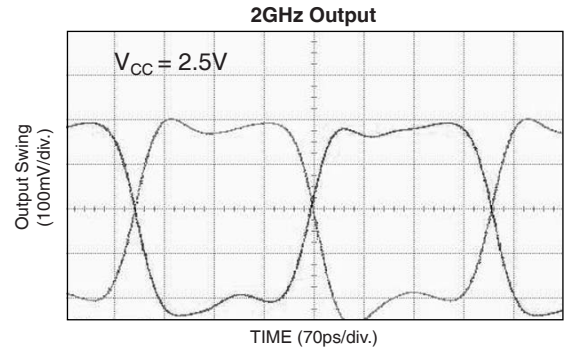
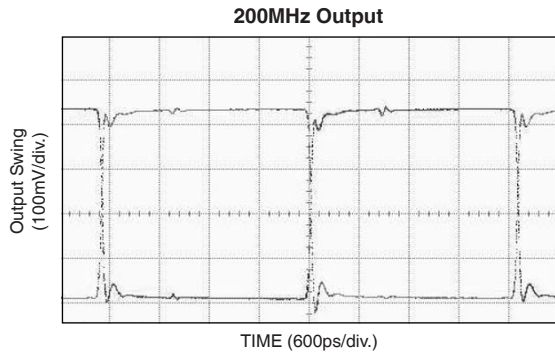
**TYPICAL OPERATING CHARACTERISTICS**

$V_{CC} = 3.3V$ ,  $GND = 0$ ,  $V_{IN} = 100mV$ ,  $T_A = 25^\circ C$ , unless otherwise stated.

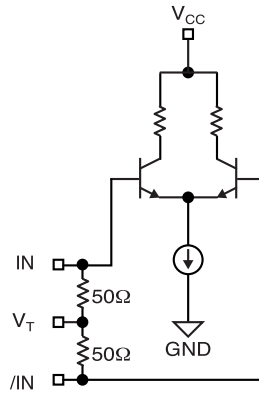


# FUNCTIONAL CHARACTERISTICS

$V_{CC} = 2.5V$ ,  $GND = 0$ ,  $V_{IN} = 100mV$ ,  $T_A = 25^{\circ}C$ , unless otherwise stated.

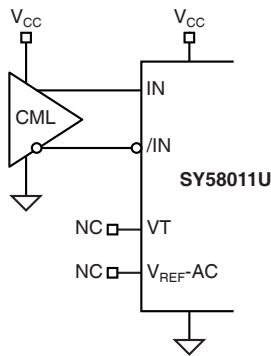


**INPUT STAGE**

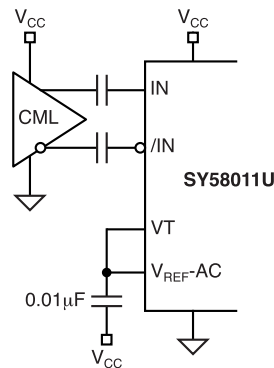


**Figure 2. Simplified Differential Input Buffer**

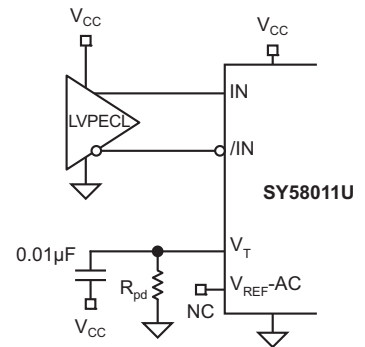
**INPUT INTERFACE APPLICATIONS**



**Figure 3a. DC-Coupled CML Input Interface**  
*(option: may connect VT to VCC)*

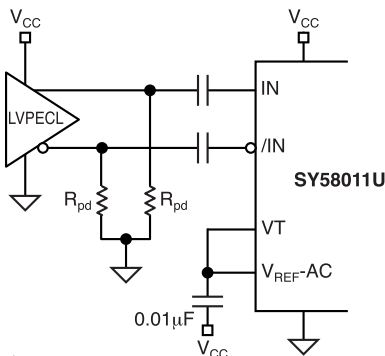


**Figure 3b. AC-Coupled CML Input Interface**



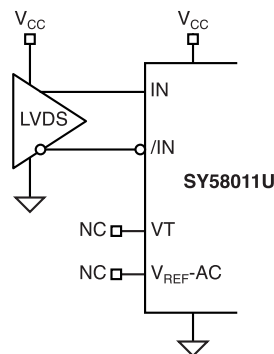
Note:  
For VCC = 2.5V systems, Rpd = 19Ω.  
For VCC = 3.3V systems, Rpd = 50Ω.

**Figure 3c. LVPECL Input Interface**



Note:  
Rpd = 100Ω for a 3.3V system  
Rpd = 50Ω for a 2.5V system

**Figure 3d. AC-Coupled LVPECL Input Interface**

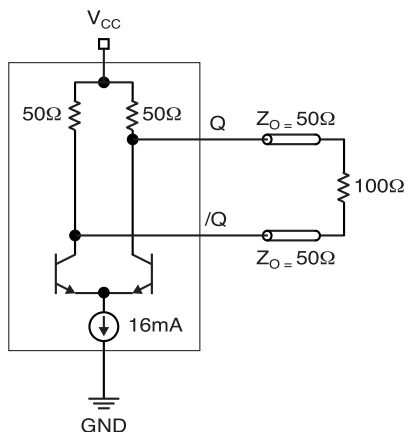


**Figure 3e. LVDS Input Interface**

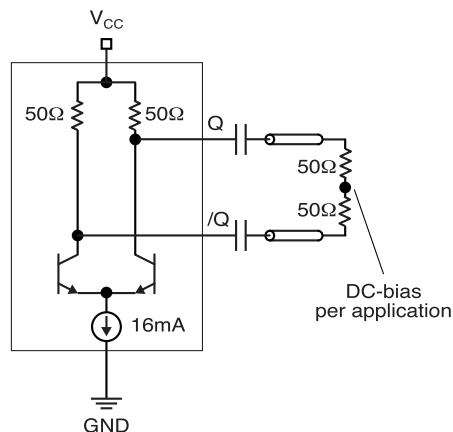


**CML OUTPUT TERMINATION**

Figure 4 and Figure 5 illustrates how to terminate a CML output using both the AC-coupled and DC-coupled configuration. All outputs of the SY58011 are 50ohms with a 16mA current source.



**Figure 4. CML DC-Coupled Termination**

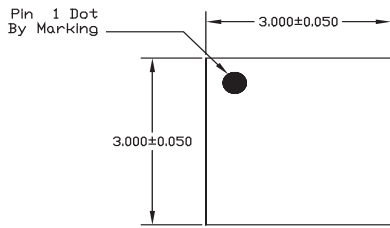


**Figure 5. CML AC-Coupled Termination**

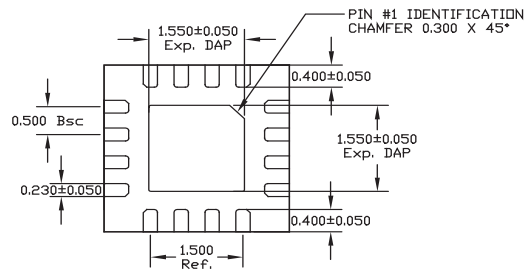
**RELATED MICREL PRODUCTS AND SUPPORT DOCUMENTATION**

| Part Number | Function  | Data Sheet Link  |
|-------------|---|--|
| SY58011U    | 7GHz, 1:2 CML Fanout Buffer/Translator with Internal I/O Termination                        | <a href="http://www.micrel.com/product-info/products/sy58011u.shtml">http://www.micrel.com/product-info/products/sy58011u.shtml</a>    |
| SY58012U    | 5GHz, 1:2 LVPECL Fanout Buffer/Translator with Internal Input Termination                   | <a href="http://www.micrel.com/product-info/products/sy58012u.shtml">http://www.micrel.com/product-info/products/sy58012u.shtml</a>    |
| SY58013U    | 6GHz, 1:2 Fanout Buffer/Translator with 400mV LVPECL Outputs and Internal Input Termination | <a href="http://www.micrel.com/product-info/products/sy58013u.shtml">http://www.micrel.com/product-info/products/sy58013u.shtml</a>    |
|             | 16-MLF <sup>®</sup> Manufacturing Guidelines Exposed Pad Application Note                   | <a href="http://www.amkor.com/products/notes_papers/MLF_AppNote_0902.pdf">www.amkor.com/products/notes_papers/MLF_AppNote_0902.pdf</a> |
|             | HBW Solutions   | <a href="http://www.micrel.com/product-info/as/solutions.shtml">http://www.micrel.com/product-info/as/solutions.shtml</a>              |

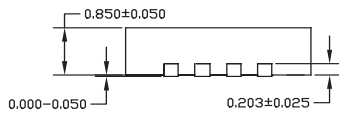
**16-PIN QFN (QFN-16)**



TOP VIEW

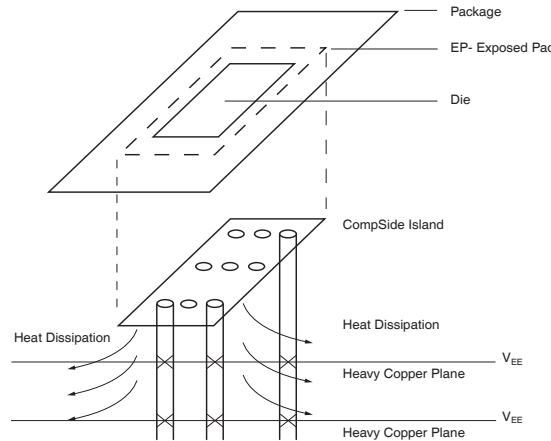


BOTTOM VIEW



SIDE VIEW

- NOTE:
1. ALL DIMENSIONS ARE IN MILLIMETERS.
  2. MAX. PACKAGE WARPAGE IS 0.05 mm.
  3. MAXIMUM ALLOWABLE BURRS IS 0.076 mm IN ALL DIRECTIONS.
  4. PIN #1 ID ON TOP WILL BE LASER/INK MARKED.



**PCB Thermal Consideration for 16-Pin QFN Package  
(Always solder, or equivalent, the exposed pad to the PCB)**

**Package Notes:**

1. Package meets Level 2 qualification.
2. All parts are dry-packaged before shipment.
3. Exposed pads must be soldered to a ground for proper thermal management.

**MICREL, INC. 2180 FORTUNE DRIVE SAN JOSE, CA 95131 USA**  
 TEL +1 (408) 944-0800 FAX +1 (408) 474-1000 WEB <http://www.micrel.com>

Micrel makes no representations or warranties with respect to the accuracy or completeness of the information furnished in this data sheet. This information is not intended as a warranty and Micrel does not assume responsibility for its use. Micrel reserves the right to change circuitry, specifications and descriptions at any time without notice. No license, whether express, implied, arising by estoppel or otherwise, to any intellectual property rights is granted by this document. Except as provided in Micrel's terms and conditions of sale for such products, Micrel assumes no liability whatsoever, and Micrel disclaims any express or implied warranty relating to the sale and/or use of Micrel products including liability or warranties relating to fitness for a particular purpose, merchantability, or infringement of any patent, copyright or other intellectual property right

Micrel Products are not designed or authorized for use as components in life support appliances, devices or systems where malfunction of a product can reasonably be expected to result in personal injury. Life support devices or systems are devices or systems that (a) are intended for surgical implant into the body or (b) support or sustain life, and whose failure to perform can be reasonably expected to result in a significant injury to the user. A Purchaser's use or sale of Micrel Products for use in life support appliances, devices or systems is a Purchaser's own risk and Purchaser agrees to fully indemnify Micrel for any damages resulting from such use or sale.



**Стандарт  
Электрон  
Связь**

Мы молодая и активно развивающаяся компания в области поставок электронных компонентов. Мы поставляем электронные компоненты отечественного и импортного производства напрямую от производителей и с крупнейших складов мира.

Благодаря сотрудничеству с мировыми поставщиками мы осуществляем комплексные и плановые поставки широчайшего спектра электронных компонентов.

Собственная эффективная логистика и склад в обеспечивает надежную поставку продукции в точно указанные сроки по всей России.

Мы осуществляем техническую поддержку нашим клиентам и предпродажную проверку качества продукции. На все поставляемые продукты мы предоставляем гарантию .

Осуществляем поставки продукции под контролем ВП МО РФ на предприятия военно-промышленного комплекса России , а также работаем в рамках 275 ФЗ с открытием отдельных счетов в уполномоченном банке. Система менеджмента качества компании соответствует требованиям ГОСТ ISO 9001.

Минимальные сроки поставки, гибкие цены, неограниченный ассортимент и индивидуальный подход к клиентам являются основой для выстраивания долгосрочного и эффективного сотрудничества с предприятиями радиоэлектронной промышленности, предприятиями ВПК и научно-исследовательскими институтами России.

С нами вы становитесь еще успешнее!

**Наши контакты:**

**Телефон:** +7 812 627 14 35

**Электронная почта:** [sales@st-electron.ru](mailto:sales@st-electron.ru)

**Адрес:** 198099, Санкт-Петербург,  
Промышленная ул, дом № 19, литера Н,  
помещение 100-Н Офис 331