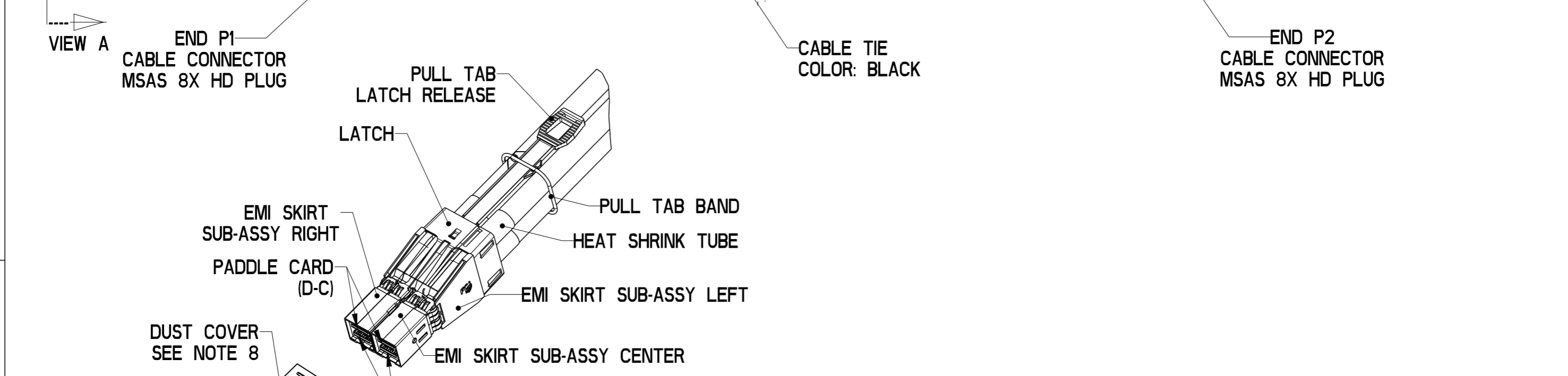
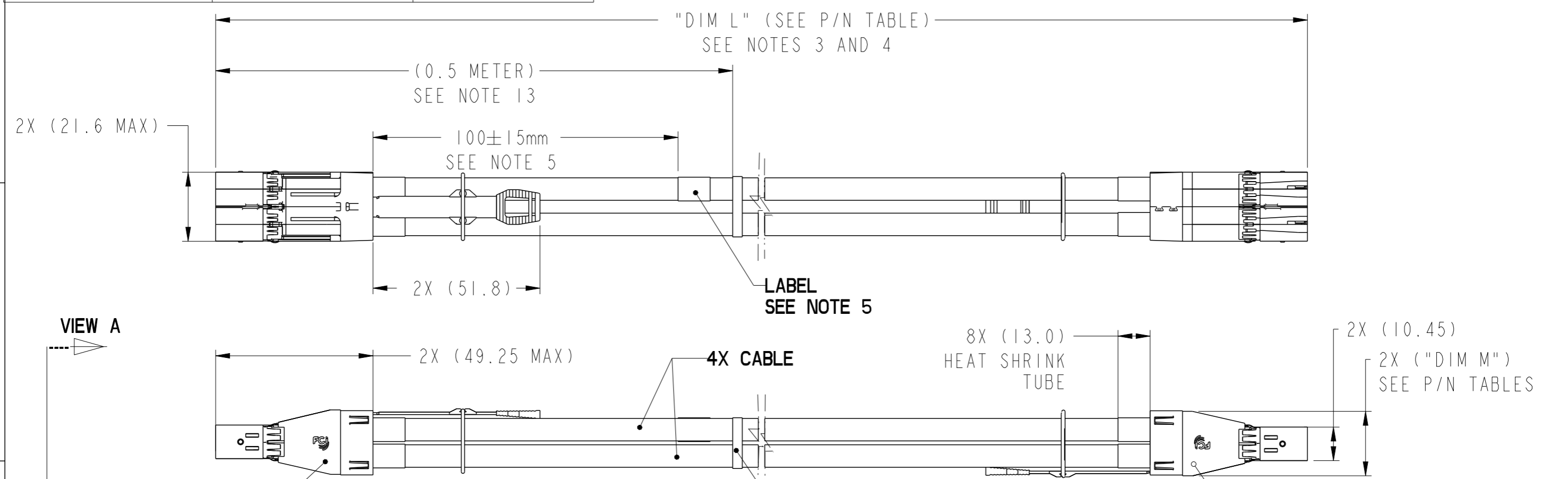


PRODUCT NUMBER	DESCRIPTION	NOTES
10112359-XXXXLF	NON-HF	SEE SHT. 3
10112359-XXXXHLF	HALOGEN FREE (H)	SEE SHT. 4



dr	Deborah Ingram	2010/06/24	projection	mm	size	A3	scale	4:5
eng	Deborah Ingram	2012/01/26			ecn no		-	
chr	-	-			rel level		Released	
appr	Brad Brubaker	2012/01/26	product family		C&A		rel level	
			title FINAL ASSEMBLY (PASSIVE) MSAS HD 8X ASSEMBLY (3 Gb/s - 6 Gb/s)			dwg no 10112359		rev A
www.fci.com			cat. no.		-		Product - Customer Drw	
			sheet 1 of 5					

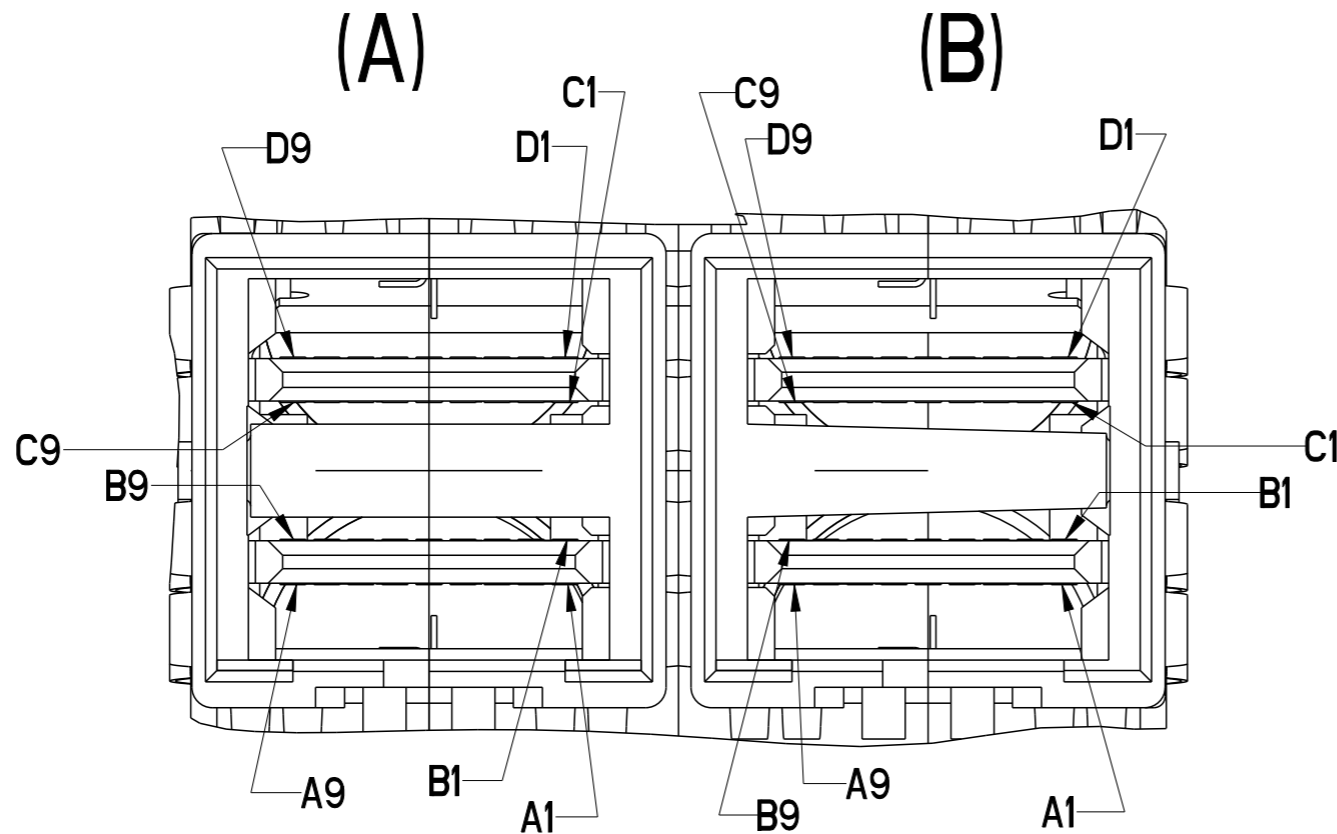
Copyright FCI.

PRODUCT NUMBER	DESCRIPTION	NOTES
10112359-XXXXLF	NON-HF	SEE SHT. 3
10112359-XXXXHLF	HALOGEN FREE (H)	SEE SHT. 4

P1-(A) TO P2-(A)
P1-(B) TO P2-(B)

WIRING LIST (SEE NOTE 6)

END P1 / (A) (B)		END P2 / (A) (B)	
POSITION	SYMBOL	POSITION	SYMBOL
D9	GROUND	B9	GROUND
D8	Tx2-	B8	Rx2-
D7	Tx2+	B7	Rx2+
D6	GROUND	B6	GROUND
D5	Tx0-	B5	Rx0-
D4	Tx0+	B4	Rx0+
D3	GROUND	B3	GROUND
D2	Vman	B2	ModPrsL
D1	Vact	B1	Vact
C1	SCL	A1	Reserved
C2	SDA	A2	IntL
C3	GROUND	A3	GROUND
C4	Tx1+	A4	Rx1+
C5	Tx1-	A5	Rx1-
C6	GROUND	A6	GROUND
C7	Tx3+	A7	Rx3+
C8	Tx3-	A8	Rx3-
C9	GROUND	A9	GROUND
B9	GROUND	D9	GROUND
B8	Rx2-	D8	Tx2-
B7	Rx2+	D7	Tx2+
B6	GROUND	D6	GROUND
B5	Rx0-	D5	Tx0-
B4	Rx0+	D4	Tx0+
B3	GROUND	D3	GROUND
B2	ModPrsL	D2	Vman
B1	Vact	D1	Vact
A1	Reserved	C1	SCL
A2	IntL	C2	SDA
A3	GROUND	C3	GROUND
A4	Rx1+	C4	Tx1+
A5	Rx1-	C5	Tx1-
A6	GROUND	C6	GROUND
A7	Rx3+	C7	Tx3+
A8	Rx3-	C8	Tx3-
A9	GROUND	C9	GROUND



VIEW A (END P1)
SCALE 6:1

LENGEND:

	HIGH-SPEED SERIAL DIFFERENTIAL PAIRS
	SIGNAL RETURN
	POWER AND MANAGEMENT INTERFACE

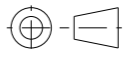
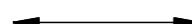

dr	Deborah Ingram	2010/06/24	projection	mm	size	A3	scale	1:1
eng	Deborah Ingram	2012/01/26		← →	ecn no	-	rel level	Released
chr	-	-						
appr	Brad Brubaker	2012/01/26	product family	C&A				

	title	FINAL ASSEMBLY (PASSIVE)	dwg no	10112359	rev	A
www.fci.com	cat. no.	-	Product - Customer Drw	sheet 2 of 5		

PART NUMBER (NON-HALOGEN FREE) SEE NOTE 12	LENGTH "DIM L" (Meters)	("DIM M") (mm)	AWG
10112359-2005LF	0.5	17.3	30
10112359-2010LF	1.0	17.3	30
10112359-2015LF	1.5	17.3	30
10112359-2020LF	2.0	17.3	30
10112359-2025LF	2.5	17.3	30
10112359-2030LF	3.0	17.3	30
10112359-3005LF	0.5	17.3	28
10112359-3010LF	1.0	17.3	28
10112359-3015LF	1.5	17.3	28
10112359-3020LF	2.0	17.3	28
10112359-3025LF	2.5	17.3	28
10112359-3030LF	3.0	17.3	28
10112359-3035LF	3.5	17.3	28
10112359-3040LF	4.0	17.3	28
10112359-3045LF	4.5	17.3	28
10112359-3050LF	5.0	17.3	28
10112359-4005LF	0.5	20.1	26
10112359-4010LF	1.0	20.1	26
10112359-4015LF	1.5	20.1	26
10112359-4020LF	2.0	20.1	26
10112359-4025LF	2.5	20.1	26
10112359-4030LF	3.0	20.1	26
10112359-4035LF	3.5	20.1	26
10112359-4040LF	4.0	20.1	26
10112359-4045LF	4.5	20.1	26
10112359-4050LF	5.0	20.1	26
10112359-4055LF	5.5	20.1	26
10112359-4060LF	6.0	20.1	26
10112359-4065LF	6.5	20.1	26
10112359-4070LF	7.0	20.1	26

PART NUMBER (NON-HALOGEN FREE) SEE NOTE 12	LENGTH "DIM L" (Meters)	("DIM M") (mm)	AWG
10112359-5005LF	0.5	20.1	24
10112359-5010LF	1.0	20.1	24
10112359-5015LF	1.5	20.1	24
10112359-5020LF	2.0	20.1	24
10112359-5025LF	2.5	20.1	24
10112359-5030LF	3.0	20.1	24
10112359-5035LF	3.5	20.1	24
10112359-5040LF	4.0	20.1	24
10112359-5045LF	4.5	20.1	24
10112359-5050LF	5.0	20.1	24
10112359-5055LF	5.5	20.1	24
10112359-5060LF	6.0	20.1	24
10112359-5065LF	6.5	20.1	24
10112359-5070LF	7.0	20.1	24
10112359-5075LF	7.5	20.1	24
10112359-5080LF	8.0	20.1	24
10112359-5085LF	8.5	20.1	24
10112359-5090LF	9.0	20.1	24
10112359-5095LF	9.5	20.1	24
10112359-5100LF	10.0	20.1	24

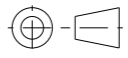
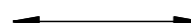

NON-HALOGEN FREE CABLE ASSEMBLY PART NUMBERS

dr	Deborah Ingram	2010/06/24	projection 	mm 	size	A3	scale	1:1	
eng	Deborah Ingram	2012/01/26			ecn no	-			
chr	-	-			rel level	Released			
appr	Brad Brubaker	2012/01/26	product family	C&A					
		title FINAL ASSEMBLY (PASSIVE) MSAS HD 8X ASSEMBLY (3 Gb/s - 6 Gb/s)		dwg no 10112359	rev A				
www.fci.com		cat. no.	-		Product - Customer Drw			sheet 3 of 5	

PART NUMBER (HALOGEN FREE) SEE NOTE 11	LENGTH "DIM L" (Meters)	("DIM M") (mm)	AWG
10112359-2005HLF	0.5	17.3	30
10112359-2010HLF	1.0	17.3	30
10112359-2015HLF	1.5	17.3	30
10112359-2020HLF	2.0	17.3	30
10112359-2025HLF	2.5	17.3	30
10112359-2030HLF	3.0	17.3	30
10112359-3005HLF	0.5	17.3	28
10112359-3010HLF	1.0	17.3	28
10112359-3015HLF	1.5	17.3	28
10112359-3020HLF	2.0	17.3	28
10112359-3025HLF	2.5	17.3	28
10112359-3030HLF	3.0	17.3	28
10112359-3035HLF	3.5	17.3	28
10112359-3040HLF	4.0	17.3	28
10112359-3045HLF	4.5	17.3	28
10112359-3050HLF	5.0	17.3	28
10112359-4005HLF	0.5	20.1	26
10112359-4010HLF	1.0	20.1	26
10112359-4015HLF	1.5	20.1	26
10112359-4020HLF	2.0	20.1	26
10112359-4025HLF	2.5	20.1	26
10112359-4030HLF	3.0	20.1	26
10112359-4035HLF	3.5	20.1	26
10112359-4040HLF	4.0	20.1	26
10112359-4045HLF	4.5	20.1	26
10112359-4050HLF	5.0	20.1	26
10112359-4055HLF	5.5	20.1	26
10112359-4060HLF	6.0	20.1	26
10112359-4065HLF	6.5	20.1	26
10112359-4070HLF	7.0	20.1	26

PART NUMBER (HALOGEN FREE) SEE NOTE 11	LENGTH "DIM L" (Meters)	("DIM M") (mm)	AWG
10112359-5005HLF	0.5	20.1	24
10112359-5010HLF	1.0	20.1	24
10112359-5015HLF	1.5	20.1	24
10112359-5020HLF	2.0	20.1	24
10112359-5025HLF	2.5	20.1	24
10112359-5030HLF	3.0	20.1	24
10112359-5035HLF	3.5	20.1	24
10112359-5040HLF	4.0	20.1	24
10112359-5045HLF	4.5	20.1	24
10112359-5050HLF	5.0	20.1	24
10112359-5055HLF	5.5	20.1	24
10112359-5060HLF	6.0	20.1	24
10112359-5065HLF	6.5	20.1	24
10112359-5070HLF	7.0	20.1	24
10112359-5075HLF	7.5	20.1	24
10112359-5080HLF	8.0	20.1	24
10112359-5085HLF	8.5	20.1	24
10112359-5090HLF	9.0	20.1	24
10112359-5095HLF	9.5	20.1	24
10112359-5100HLF	10.0	20.1	24

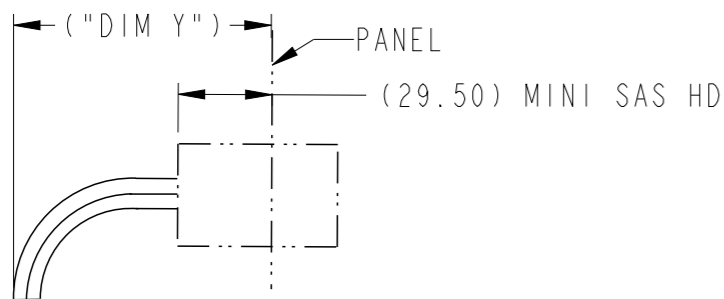
HALOGEN FREE CABLE ASSEMBLY PART NUMBERS

dr	Deborah Ingram	2010/06/24	projection 	mm 	size	A3	scale	1:2	
eng	Deborah Ingram	2012/01/26			ecn no	-			
chr	-	-			rel level	Released			
appr	Brad Brubaker	2012/01/26	product family	C&A					
		title FINAL ASSEMBLY (PASSIVE) MSAS HD 8X ASSEMBLY (3 Gb/s - 6 Gb/s)		dwg no 10112359	rev A				
www.fci.com		cat. no.	-		Product - Customer Drw			sheet 4 of 5	



Copyright FCI.

PRODUCT NUMBER	DESCRIPTION	NOTES
10112359-XXXXLF	NON-HF	SEE SHT. 3
10112359-XXXXHLF	HALOGEN FREE (H)	SEE SHT. 4



**PEND RADIUS
TOP VIEW OF CONNECTOR**

MINI SAS HD MINIMUM CABLE BEND TABLE		
CABLE	(\"DIM Y\") HF	(\"DIM Y\") (NON-HF)
24 AWG	101.1	100.6
26 AWG	100.0	99.7
28 AWG	99.1	98.7
30 AWG	98.5	97.9

NOTES:

- 1 - MATERIAL:
BACK SHELLS: ZINC ALLOY/ COPPER UNDERPLATE/ NICKEL OVERPLATE
PULL TAB: THERMOPLASTIC POLYMER
LATCH : STAINLESS STEEL
FERRULE: BRASS
EMI SKIRT: STAINLESS STEEL
LOCTITE
PADDLE CARD: PRINTED CIRCUIT SUBSTRATE
HEAT SHRINK TUBE: POLYOLFIN
- 2 - THIS PRODUCT MEETS THE RESTRICTION OF HAZARDOUS SUBSTANCES IN ELECTRICAL AND ELECTRONIC EQUIPMENT (RoHS) DIRECTIVE (2002/95/EC)
- 3 - THIS DIMENSION IS A FINISHED PRODUCT LENGTH.
- 4 - UNLESS OTHERWISE SPECIFIED ASSEMBLED LENGTH TOLERANCE IS TO BE:
"DIM L" < 1 METER = ±25mm
"DIM L" 1 METER TO 10 METERS = ± 2% OF "DIM L"
"DIM L" > 10 METERS = +0.00/-4% OF "DIM L"
- 5 - UNLESS OTHERWISE SPECIFIED LABEL POSITION IS TO BE 95mm FROM REAR OF PI CONNECTOR.
LABEL DETAILS:
MANUFACTURER CODE OR NAME COUNTRY OF ORIGIN
CUSTOMER P/N OR FCI P/N
REVISION
DATE CODE (YY/MM/DD FORMAT) - SERIAL NUMBER

FONT SHALL BE CLEARLY VISIBLE AND BLACK IN COLOR.
- 6 - ALL CABLE ASSEMBLIES SHALL BE 100% TESTED FOR CONTINUITY AS DEFINED IN WIRING LIST.
- 7 - OTHER TESTING PERFORMED AS REQUIRED BY PRODUCT SPECIFICATION: GS-12-651.
- 8 - PACKAGING OF LEAD FREE PRODUCTS MEETS LABELING AND PACKAGING PER SPECIFICATION GS-14-920. PACKAGE CABLE ASSEMBLIES PER GS-14-1272. DUST COVERS ARE TO BE ASSEMBLED PRIOR TO PACKAGING.
9. A "△" SYMBOL WILL BE NEXT TO ANY DIMENSION, VIEW, OR NOTE WHICH HAS BEEN MODIFIED WITH THE CURRENT DRAWING REVISION. THE CURRENT REVISION WILL BE SHOWN IN THE SYMBOL.
10. MEETS ELECTRICAL REQUIREMENTS OF SAS 2.1.
11. "H" PRODUCT NUMBERS DESIGNATE THE USE OF HALOGEN FREE RAW CABLE.
12. HALOGEN FREE RAW CABLE CAN BE USED AS A SUBSTITUTE ON NON-HF PRODUCT NUMBERS.
13. PLACE A CABLE TIE EVERY 0.5 METER ON ALL ASSEMBLIES, UNLESS OTHERWISE SPECIFIED. IN CASE OF 0.5 METER CABLE ASSEMBLY, CABLE TIE IS TO BE APPLIED AT THE MIDWAY POINT.
14. MATES WITH SERIES: 10112627 or 10112628



Copyright FCI.

dr	Deborah Ingram	2010/06/24	projection 	mm	size	A3	scale	1:2	
eng	Deborah Ingram	2012/01/26			ecn no	-			
chr	-	-			rel level	Released			
appr	Brad Brubaker	2012/01/26	product family	C&A					
		FINAL ASSEMBLY (PASSIVE)			dwg no	10112359		rev	A
www.fci.com		cat. no.	-		Product - Customer Drw			sheet 5 of 5	



**Стандарт
Электрон
Связь**

Мы молодая и активно развивающаяся компания в области поставок электронных компонентов. Мы поставляем электронные компоненты отечественного и импортного производства напрямую от производителей и с крупнейших складов мира.

Благодаря сотрудничеству с мировыми поставщиками мы осуществляем комплексные и плановые поставки широчайшего спектра электронных компонентов.

Собственная эффективная логистика и склад в обеспечивает надежную поставку продукции в точно указанные сроки по всей России.

Мы осуществляем техническую поддержку нашим клиентам и предпродажную проверку качества продукции. На все поставляемые продукты мы предоставляем гарантию .

Осуществляем поставки продукции под контролем ВП МО РФ на предприятия военно-промышленного комплекса России , а также работаем в рамках 275 ФЗ с открытием отдельных счетов в уполномоченном банке. Система менеджмента качества компании соответствует требованиям ГОСТ ISO 9001.

Минимальные сроки поставки, гибкие цены, неограниченный ассортимент и индивидуальный подход к клиентам являются основой для выстраивания долгосрочного и эффективного сотрудничества с предприятиями радиоэлектронной промышленности, предприятиями ВПК и научно-исследовательскими институтами России.

С нами вы становитесь еще успешнее!

Наши контакты:

Телефон: +7 812 627 14 35

Электронная почта: sales@st-electron.ru

Адрес: 198099, Санкт-Петербург,
Промышленная ул, дом № 19, литера Н,
помещение 100-Н Офис 331