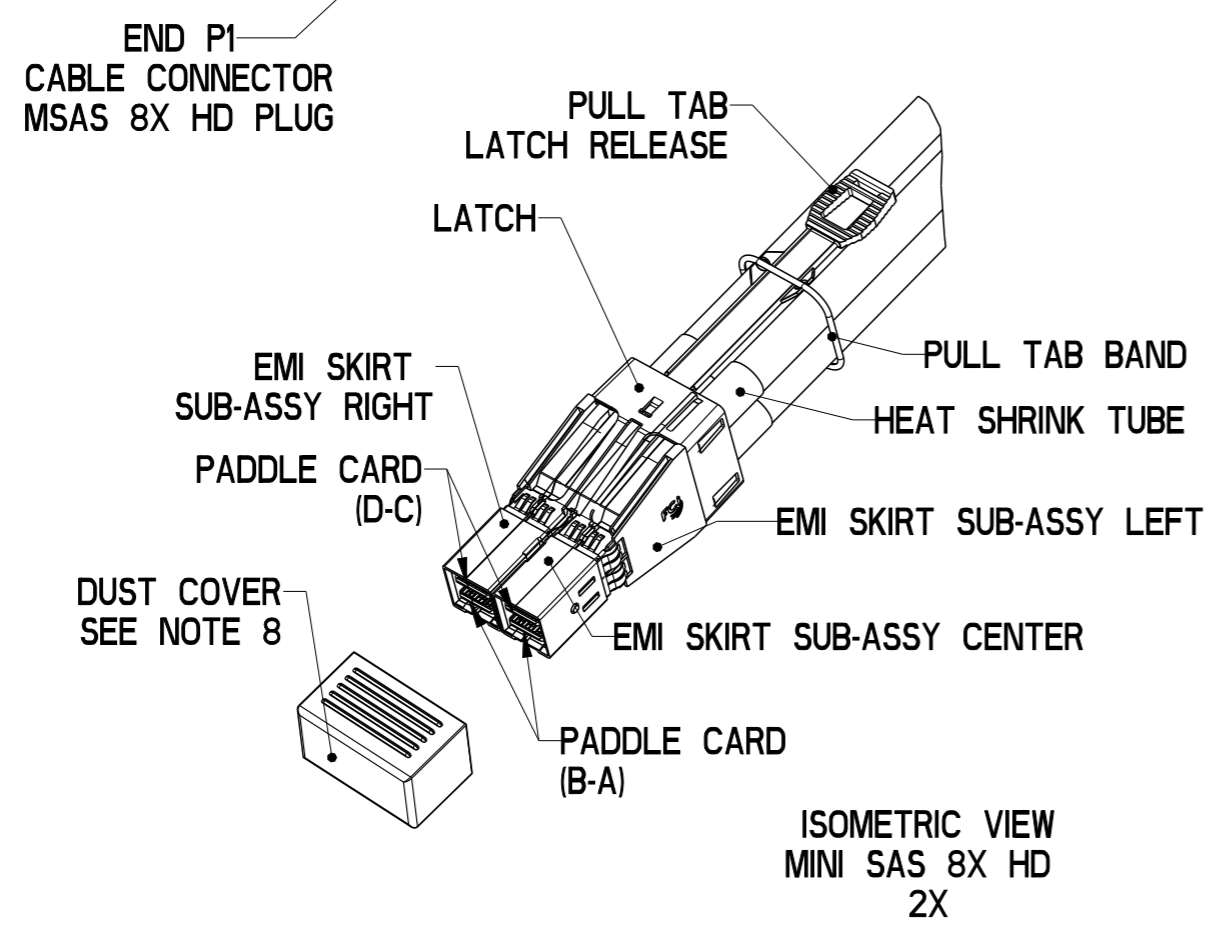
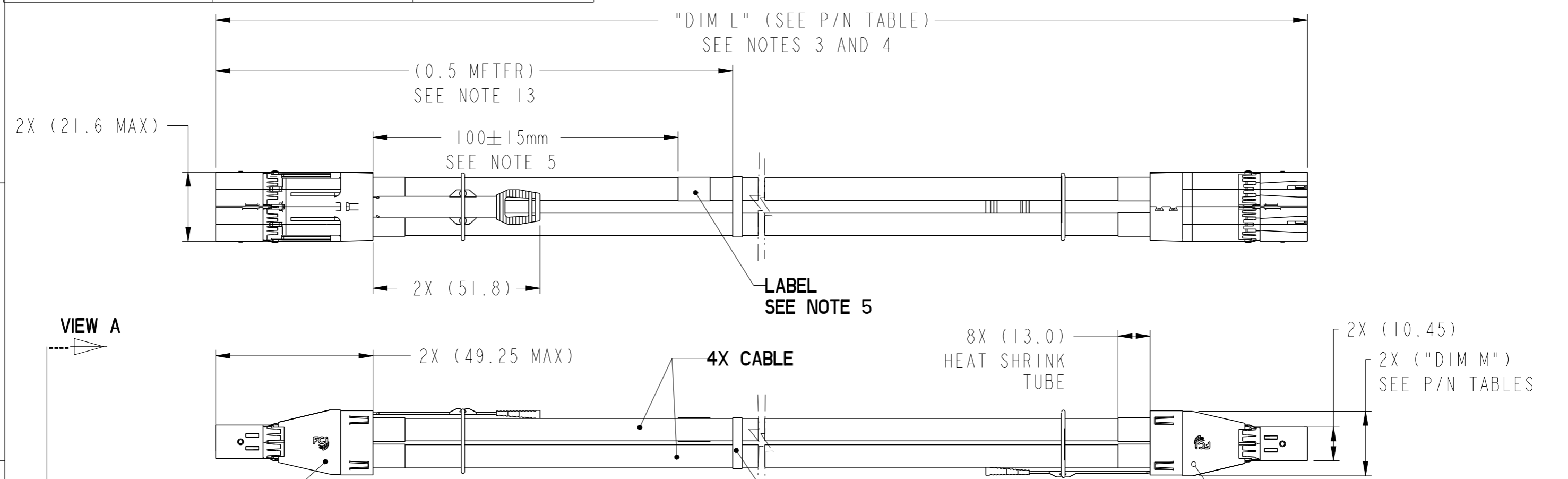


| PRODUCT NUMBER   | DESCRIPTION      | NOTES      |
|------------------|------------------|------------|
| 10112359-XXXXLF  | NON-HF           | SEE SHT. 3 |
| 10112359-XXXXHLF | HALOGEN FREE (H) | SEE SHT. 4 |



|             |                |            |   |    |                        |    |              |     |
|-------------|----------------|------------|---|----|------------------------|----|--------------|-----|
| dr          | Deborah Ingram | 2010/06/24 | projection  | mm | size                   | A3 | scale        | 4:5 |
| eng         | Deborah Ingram | 2012/01/26 |   |    | ecn no                 |    | -            |     |
| chr         | -              | -          |   |    | rel level              |    | Released     |     |
| appr        | Brad Brubaker  | 2012/01/26 | product family  |    | C&A                    |    | rel level    |     |
|             |                |            | title FINAL ASSEMBLY (PASSIVE)<br>MSAS HD 8X ASSEMBLY (3 Gb/s - 6 Gb/s) |    | dwg no 10112359        |    | rev A        |     |
| www.fci.com |                |            | cat. no. -  |    | Product - Customer Drw |    | sheet 1 of 5 |     |

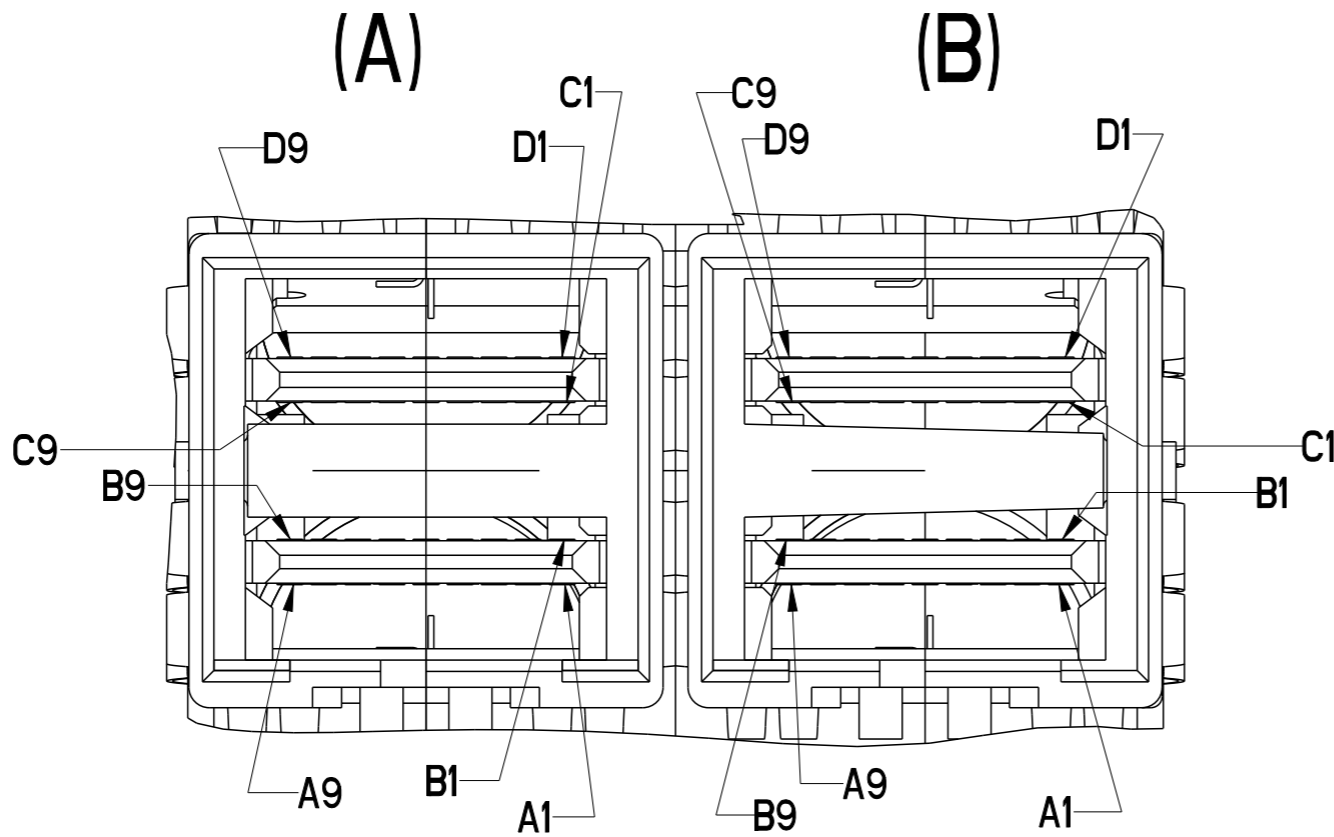
Copyright FCI.

| PRODUCT NUMBER   | DESCRIPTION      | NOTES      |
|------------------|------------------|------------|
| 10112359-XXXXLF  | NON-HF           | SEE SHT. 3 |
| 10112359-XXXXHLF | HALOGEN FREE (H) | SEE SHT. 4 |

P1-(A) TO P2-(A)  
P1-(B) TO P2-(B)

WIRING LIST (SEE NOTE 6)

| END P1 / (A) (B) |          | END P2 / (A) (B) |          |
|------------------|----------|------------------|----------|
| POSITION         | SYMBOL   | POSITION         | SYMBOL   |
| D9               | GROUND   | B9               | GROUND   |
| D8               | Tx2-     | B8               | Rx2-     |
| D7               | Tx2+     | B7               | Rx2+     |
| D6               | GROUND   | B6               | GROUND   |
| D5               | Tx0-     | B5               | Rx0-     |
| D4               | Tx0+     | B4               | Rx0+     |
| D3               | GROUND   | B3               | GROUND   |
| D2               | Vman     | B2               | ModPrsL  |
| D1               | Vact     | B1               | Vact     |
| C1               | SCL      | A1               | Reserved |
| C2               | SDA      | A2               | IntL     |
| C3               | GROUND   | A3               | GROUND   |
| C4               | Tx1+     | A4               | Rx1+     |
| C5               | Tx1-     | A5               | Rx1-     |
| C6               | GROUND   | A6               | GROUND   |
| C7               | Tx3+     | A7               | Rx3+     |
| C8               | Tx3-     | A8               | Rx3-     |
| C9               | GROUND   | A9               | GROUND   |
| B9               | GROUND   | D9               | GROUND   |
| B8               | Rx2-     | D8               | Tx2-     |
| B7               | Rx2+     | D7               | Tx2+     |
| B6               | GROUND   | D6               | GROUND   |
| B5               | Rx0-     | D5               | Tx0-     |
| B4               | Rx0+     | D4               | Tx0+     |
| B3               | GROUND   | D3               | GROUND   |
| B2               | ModPrsL  | D2               | Vman     |
| B1               | Vact     | D1               | Vact     |
| A1               | Reserved | C1               | SCL      |
| A2               | IntL     | C2               | SDA      |
| A3               | GROUND   | C3               | GROUND   |
| A4               | Rx1+     | C4               | Tx1+     |
| A5               | Rx1-     | C5               | Tx1-     |
| A6               | GROUND   | C6               | GROUND   |
| A7               | Rx3+     | C7               | Tx3+     |
| A8               | Rx3-     | C8               | Tx3-     |
| A9               | GROUND   | C9               | GROUND   |



VIEW A (END P1)  
SCALE 6:1

Copyright FCI.



**LENGEND:**

|  |                                      |
|--|--------------------------------------|
|  | HIGH-SPEED SERIAL DIFFERENTIAL PAIRS |
|  | SIGNAL RETURN                        |
|  | POWER AND MANAGEMENT INTERFACE       |

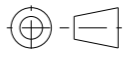
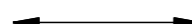
|             |                |            |                |     |                        |              |          |     |
|-------------|----------------|------------|----------------|-----|------------------------|--------------|----------|-----|
| dr          | Deborah Ingram | 2010/06/24 | projection     | mm  | size                   | A3           | scale    | 1:1 |
| eng         | Deborah Ingram | 2012/01/26 |                | ← → | C&A                    | rel level    | Released | rev |
| chr         | -              | -          |                |     |                        |              |          |     |
| appr        | Brad Brubaker  | 2012/01/26 | product family | C&A | rel level              | Released     |          |     |
| www.fci.com |                | cat. no.   | -              |     | Product - Customer Drw | sheet 2 of 5 |          |     |

|  |       |                                       |        |          |     |   |
|--|-------|---------------------------------------|--------|----------|-----|---|
|  | title | FINAL ASSEMBLY (PASSIVE)              | dwg no | 10112359 | rev | A |
|  |       | MSAS HD 8X ASSEMBLY (3 Gb/s - 6 Gb/s) |        |          |     |   |

| PART NUMBER<br>(NON-HALOGEN FREE)<br>SEE NOTE 12 | LENGTH "DIM L" (Meters) | ("DIM M")<br>(mm) | AWG |
|--|-------------------------|-------------------|-----|
| 10112359-2005LF                                  | 0.5                     | 17.3              | 30  |
| 10112359-2010LF                                  | 1.0                     | 17.3              | 30  |
| 10112359-2015LF                                  | 1.5                     | 17.3              | 30  |
| 10112359-2020LF                                  | 2.0                     | 17.3              | 30  |
| 10112359-2025LF                                  | 2.5                     | 17.3              | 30  |
| 10112359-2030LF                                  | 3.0                     | 17.3              | 30  |
| 10112359-3005LF                                  | 0.5                     | 17.3              | 28  |
| 10112359-3010LF                                  | 1.0                     | 17.3              | 28  |
| 10112359-3015LF                                  | 1.5                     | 17.3              | 28  |
| 10112359-3020LF                                  | 2.0                     | 17.3              | 28  |
| 10112359-3025LF                                  | 2.5                     | 17.3              | 28  |
| 10112359-3030LF                                  | 3.0                     | 17.3              | 28  |
| 10112359-3035LF                                  | 3.5                     | 17.3              | 28  |
| 10112359-3040LF                                  | 4.0                     | 17.3              | 28  |
| 10112359-3045LF                                  | 4.5                     | 17.3              | 28  |
| 10112359-3050LF                                  | 5.0                     | 17.3              | 28  |
| 10112359-4005LF                                  | 0.5                     | 20.1              | 26  |
| 10112359-4010LF                                  | 1.0                     | 20.1              | 26  |
| 10112359-4015LF                                  | 1.5                     | 20.1              | 26  |
| 10112359-4020LF                                  | 2.0                     | 20.1              | 26  |
| 10112359-4025LF                                  | 2.5                     | 20.1              | 26  |
| 10112359-4030LF                                  | 3.0                     | 20.1              | 26  |
| 10112359-4035LF                                  | 3.5                     | 20.1              | 26  |
| 10112359-4040LF                                  | 4.0                     | 20.1              | 26  |
| 10112359-4045LF                                  | 4.5                     | 20.1              | 26  |
| 10112359-4050LF                                  | 5.0                     | 20.1              | 26  |
| 10112359-4055LF                                  | 5.5                     | 20.1              | 26  |
| 10112359-4060LF                                  | 6.0                     | 20.1              | 26  |
| 10112359-4065LF                                  | 6.5                     | 20.1              | 26  |
| 10112359-4070LF                                  | 7.0                     | 20.1              | 26  |

| PART NUMBER<br>(NON-HALOGEN FREE)<br>SEE NOTE 12 | LENGTH "DIM L" (Meters) | ("DIM M")<br>(mm) | AWG |
|--|-------------------------|-------------------|-----|
| 10112359-5005LF                                  | 0.5                     | 20.1              | 24  |
| 10112359-5010LF                                  | 1.0                     | 20.1              | 24  |
| 10112359-5015LF                                  | 1.5                     | 20.1              | 24  |
| 10112359-5020LF                                  | 2.0                     | 20.1              | 24  |
| 10112359-5025LF                                  | 2.5                     | 20.1              | 24  |
| 10112359-5030LF                                  | 3.0                     | 20.1              | 24  |
| 10112359-5035LF                                  | 3.5                     | 20.1              | 24  |
| 10112359-5040LF                                  | 4.0                     | 20.1              | 24  |
| 10112359-5045LF                                  | 4.5                     | 20.1              | 24  |
| 10112359-5050LF                                  | 5.0                     | 20.1              | 24  |
| 10112359-5055LF                                  | 5.5                     | 20.1              | 24  |
| 10112359-5060LF                                  | 6.0                     | 20.1              | 24  |
| 10112359-5065LF                                  | 6.5                     | 20.1              | 24  |
| 10112359-5070LF                                  | 7.0                     | 20.1              | 24  |
| 10112359-5075LF                                  | 7.5                     | 20.1              | 24  |
| 10112359-5080LF                                  | 8.0                     | 20.1              | 24  |
| 10112359-5085LF                                  | 8.5                     | 20.1              | 24  |
| 10112359-5090LF                                  | 9.0                     | 20.1              | 24  |
| 10112359-5095LF                                  | 9.5                     | 20.1              | 24  |
| 10112359-5100LF                                  | 10.0                    | 20.1              | 24  |

## NON-HALOGEN FREE CABLE ASSEMBLY PART NUMBERS

|             |                |            |   |   |                        |                          |              |          |
|-------------|----------------|------------|---|---|------------------------|--------------------------|--------------|----------|
| dr          | Deborah Ingram | 2010/06/24 | projection<br> | mm<br> | size                   | A3                       | scale        | 1:1      |
| eng         | Deborah Ingram | 2012/01/26 |   |   | ecn no                 | -                        |              |          |
| chr         | -              | -          | product family  | C&A   | rel level              | Released                 |              |          |
| appr        | Brad Brubaker  | 2012/01/26 |   |   | title                  | FINAL ASSEMBLY (PASSIVE) | dwg no       | 10112359 |
| www.fci.com |                | cat. no.   | -   |   | Product - Customer Drw |                          | sheet 3 of 5 |          |

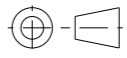
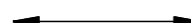



Copyright FCI.

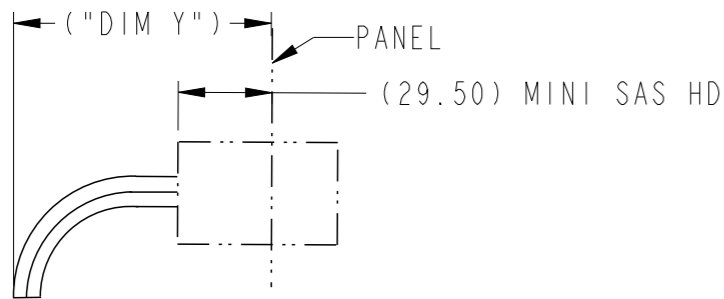
| PART NUMBER<br>(HALOGEN FREE)<br>SEE NOTE 11 | LENGTH "DIM L" (Meters) | ("DIM M")<br>(mm) | AWG |
|--|-------------------------|-------------------|-----|
| 10112359-2005HLF                             | 0.5                     | 17.3              | 30  |
| 10112359-2010HLF                             | 1.0                     | 17.3              | 30  |
| 10112359-2015HLF                             | 1.5                     | 17.3              | 30  |
| 10112359-2020HLF                             | 2.0                     | 17.3              | 30  |
| 10112359-2025HLF                             | 2.5                     | 17.3              | 30  |
| 10112359-2030HLF                             | 3.0                     | 17.3              | 30  |
| 10112359-3005HLF                             | 0.5                     | 17.3              | 28  |
| 10112359-3010HLF                             | 1.0                     | 17.3              | 28  |
| 10112359-3015HLF                             | 1.5                     | 17.3              | 28  |
| 10112359-3020HLF                             | 2.0                     | 17.3              | 28  |
| 10112359-3025HLF                             | 2.5                     | 17.3              | 28  |
| 10112359-3030HLF                             | 3.0                     | 17.3              | 28  |
| 10112359-3035HLF                             | 3.5                     | 17.3              | 28  |
| 10112359-3040HLF                             | 4.0                     | 17.3              | 28  |
| 10112359-3045HLF                             | 4.5                     | 17.3              | 28  |
| 10112359-3050HLF                             | 5.0                     | 17.3              | 28  |
| 10112359-4005HLF                             | 0.5                     | 20.1              | 26  |
| 10112359-4010HLF                             | 1.0                     | 20.1              | 26  |
| 10112359-4015HLF                             | 1.5                     | 20.1              | 26  |
| 10112359-4020HLF                             | 2.0                     | 20.1              | 26  |
| 10112359-4025HLF                             | 2.5                     | 20.1              | 26  |
| 10112359-4030HLF                             | 3.0                     | 20.1              | 26  |
| 10112359-4035HLF                             | 3.5                     | 20.1              | 26  |
| 10112359-4040HLF                             | 4.0                     | 20.1              | 26  |
| 10112359-4045HLF                             | 4.5                     | 20.1              | 26  |
| 10112359-4050HLF                             | 5.0                     | 20.1              | 26  |
| 10112359-4055HLF                             | 5.5                     | 20.1              | 26  |
| 10112359-4060HLF                             | 6.0                     | 20.1              | 26  |
| 10112359-4065HLF                             | 6.5                     | 20.1              | 26  |
| 10112359-4070HLF                             | 7.0                     | 20.1              | 26  |

| PART NUMBER<br>(HALOGEN FREE)<br>SEE NOTE 11 | LENGTH "DIM L" (Meters) | ("DIM M")<br>(mm) | AWG |
|--|-------------------------|-------------------|-----|
| 10112359-5005HLF                             | 0.5                     | 20.1              | 24  |
| 10112359-5010HLF                             | 1.0                     | 20.1              | 24  |
| 10112359-5015HLF                             | 1.5                     | 20.1              | 24  |
| 10112359-5020HLF                             | 2.0                     | 20.1              | 24  |
| 10112359-5025HLF                             | 2.5                     | 20.1              | 24  |
| 10112359-5030HLF                             | 3.0                     | 20.1              | 24  |
| 10112359-5035HLF                             | 3.5                     | 20.1              | 24  |
| 10112359-5040HLF                             | 4.0                     | 20.1              | 24  |
| 10112359-5045HLF                             | 4.5                     | 20.1              | 24  |
| 10112359-5050HLF                             | 5.0                     | 20.1              | 24  |
| 10112359-5055HLF                             | 5.5                     | 20.1              | 24  |
| 10112359-5060HLF                             | 6.0                     | 20.1              | 24  |
| 10112359-5065HLF                             | 6.5                     | 20.1              | 24  |
| 10112359-5070HLF                             | 7.0                     | 20.1              | 24  |
| 10112359-5075HLF                             | 7.5                     | 20.1              | 24  |
| 10112359-5080HLF                             | 8.0                     | 20.1              | 24  |
| 10112359-5085HLF                             | 8.5                     | 20.1              | 24  |
| 10112359-5090HLF                             | 9.0                     | 20.1              | 24  |
| 10112359-5095HLF                             | 9.5                     | 20.1              | 24  |
| 10112359-5100HLF                             | 10.0                    | 20.1              | 24  |

## HALOGEN FREE CABLE ASSEMBLY PART NUMBERS

|   |                |  |   |   |                        |          |       |              |  |
|---|----------------|--|---|---|------------------------|----------|-------|--------------|--|
| dr  | Deborah Ingram | 2010/06/24   | projection<br> | mm<br> | size                   | A3       | scale | 1:2          |  |
| eng   | Deborah Ingram | 2012/01/26   |   |   | ecn no                 | -        |       |              |  |
| chr   | -              | -  |   |   | rel level              | Released |       |              |  |
| appr  | Brad Brubaker  | 2012/01/26   | product family  | C&A   |                        |          |       |              |  |
|  |                | title<br>FINAL ASSEMBLY (PASSIVE)<br>MSAS HD 8X ASSEMBLY (3 Gb/s - 6 Gb/s) |   | dwg no<br>10112359  | rev<br>A               |          |       |              |  |
| www.fci.com   |                | cat. no.   | -   |   | Product - Customer Drw |          |       | sheet 4 of 5 |  |

| PRODUCT NUMBER   | DESCRIPTION      | NOTES      |
|------------------|------------------|------------|
| 10112359-XXXXLF  | NON-HF           | SEE SHT. 3 |
| 10112359-XXXXHLF | HALOGEN FREE (H) | SEE SHT. 4 |



**PEND RADIUS  
TOP VIEW OF CONNECTOR**

| MINI SAS HD<br>MINIMUM CABLE BEND TABLE |                 |                       |
|---|-----------------|-----------------------|
| CABLE                                   | ("DIM Y")<br>HF | ("DIM Y")<br>(NON-HF) |
| 24 AWG                                  | 101.1           | 100.6                 |
| 26 AWG                                  | 100.0           | 99.7                  |
| 28 AWG                                  | 99.1            | 98.7                  |
| 30 AWG                                  | 98.5            | 97.9                  |

NOTES:

- 1 - MATERIAL:  
BACK SHELLS: ZINC ALLOY/ COPPER UNDERPLATE/ NICKEL OVERPLATE  
PULL TAB: THERMOPLASTIC POLYMER  
LATCH : STAINLESS STEEL  
FERRULE: BRASS  
EMI SKIRT: STAINLESS STEEL  
LOCTITE  
PADDLE CARD: PRINTED CIRCUIT SUBSTRATE  
HEAT SHRINK TUBE: POLYOLFIN
- 2 - THIS PRODUCT MEETS THE RESTRICTION OF HAZARDOUS SUBSTANCES IN ELECTRICAL AND ELECTRONIC EQUIPMENT (RoHS) DIRECTIVE (2002/95/EC)
- 3 - THIS DIMENSION IS A FINISHED PRODUCT LENGTH.
- 4 - UNLESS OTHERWISE SPECIFIED ASSEMBLED LENGTH TOLERANCE IS TO BE:  
"DIM L" < 1 METER = ±25mm  
"DIM L" 1 METER TO 10 METERS = ± 2% OF "DIM L"  
"DIM L" > 10 METERS = +0.00/-4% OF "DIM L"
- 5 - UNLESS OTHERWISE SPECIFIED LABEL POSITION IS TO BE 95mm FROM REAR OF PI CONNECTOR.  
LABEL DETAILS:  
MANUFACTURER CODE OR NAME COUNTRY OF ORIGIN  
CUSTOMER P/N OR FCI P/N  
REVISION  
DATE CODE (YY/MM/DD FORMAT) - SERIAL NUMBER  
  
FONT SHALL BE CLEARLY VISIBLE AND BLACK IN COLOR.
- 6 - ALL CABLE ASSEMBLIES SHALL BE 100% TESTED FOR CONTINUITY AS DEFINED IN WIRING LIST.
- 7 - OTHER TESTING PERFORMED AS REQUIRED BY PRODUCT SPECIFICATION: GS-12-651.
- 8 - PACKAGING OF LEAD FREE PRODUCTS MEETS LABELING AND PACKAGING PER SPECIFICATION GS-14-920. PACKAGE CABLE ASSEMBLIES PER GS-14-1272. DUST COVERS ARE TO BE ASSEMBLED PRIOR TO PACKAGING.
9. A "△" SYMBOL WILL BE NEXT TO ANY DIMENSION, VIEW, OR NOTE WHICH HAS BEEN MODIFIED WITH THE CURRENT DRAWING REVISION. THE CURRENT REVISION WILL BE SHOWN IN THE SYMBOL.
10. MEETS ELECTRICAL REQUIREMENTS OF SAS 2.1.
11. "H" PRODUCT NUMBERS DESIGNATE THE USE OF HALOGEN FREE RAW CABLE.
12. HALOGEN FREE RAW CABLE CAN BE USED AS A SUBSTITUTE ON NON-HF PRODUCT NUMBERS.
13. PLACE A CABLE TIE EVERY 0.5 METER ON ALL ASSEMBLIES, UNLESS OTHERWISE SPECIFIED. IN CASE OF 0.5 METER CABLE ASSEMBLY, CABLE TIE IS TO BE APPLIED AT THE MIDWAY POINT.
14. MATES WITH SERIES: 10112627 or 10112628



Copyright FCI.

|             |                |                          |                |     |                        |          |       |              |   |
|-------------|----------------|--------------------------|----------------|-----|------------------------|----------|-------|--------------|---|
| dr          | Deborah Ingram | 2010/06/24               | projection<br> | mm  | size                   | A3       | scale | 1:2          |   |
| eng         | Deborah Ingram | 2012/01/26               |                |     | ecn no                 | -        |       |              |   |
| chr         | -              | -                        |                |     | rel level              | Released |       |              |   |
| appr        | Brad Brubaker  | 2012/01/26               | product family | C&A |                        |          |       |              |   |
|             |                | FINAL ASSEMBLY (PASSIVE) |                |     | dwg no                 | 10112359 |       | rev          | A |
| www.fci.com |                | cat. no.                 | -              |     | Product - Customer Drw |          |       | sheet 5 of 5 |   |



## Стандарт Электрон Связь

Мы молодая и активно развивающаяся компания в области поставок электронных компонентов. Мы поставляем электронные компоненты отечественного и импортного производства напрямую от производителей и с крупнейших складов мира.

Благодаря сотрудничеству с мировыми поставщиками мы осуществляем комплексные и плановые поставки широчайшего спектра электронных компонентов.

Собственная эффективная логистика и склад в обеспечивает надежную поставку продукции в точно указанные сроки по всей России.

Мы осуществляем техническую поддержку нашим клиентам и предпродажную проверку качества продукции. На все поставляемые продукты мы предоставляем гарантию .

Осуществляем поставки продукции под контролем ВП МО РФ на предприятия военно-промышленного комплекса России , а также работаем в рамках 275 ФЗ с открытием отдельных счетов в уполномоченном банке. Система менеджмента качества компании соответствует требованиям ГОСТ ISO 9001.

Минимальные сроки поставки, гибкие цены, неограниченный ассортимент и индивидуальный подход к клиентам являются основой для выстраивания долгосрочного и эффективного сотрудничества с предприятиями радиоэлектронной промышленности, предприятиями ВПК и научно-исследовательскими институтами России.

С нами вы становитесь еще успешнее!

### Наши контакты:

**Телефон:** +7 812 627 14 35

**Электронная почта:** [sales@st-electron.ru](mailto:sales@st-electron.ru)

**Адрес:** 198099, Санкт-Петербург,  
Промышленная ул, дом № 19, литера Н,  
помещение 100-Н Офис 331