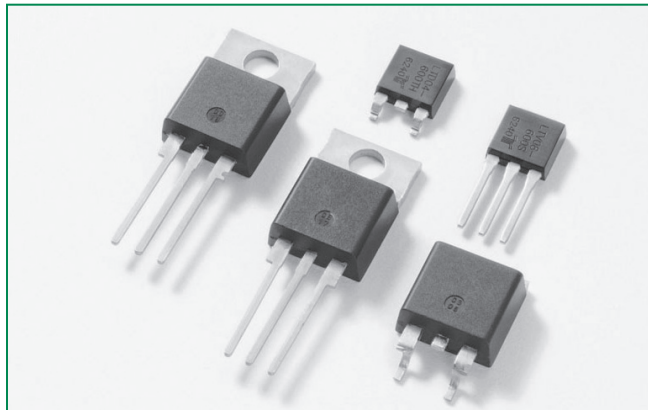


RoHS Lxx06xx & Qxx06xx & Qxx06xHx Series



Description

6 Amp bi-directional solid state switch series is designed for AC switching and phase control applications such as motor speed and temperature modulation controls, lighting controls, and static switching relays.

Sensitive type devices guarantee gate control in Quadrants I & IV needed for digital control circuitry.

Standard type devices normally operate in Quadrants I & III triggered from AC line.

Alternistor type devices only operate in quadrants I, II, & III and are used in circuits requiring high dv/dt capability.

Features & Benefits

- RoHS compliant
- Glass – passivated junctions
- Voltage capability up to 1000 V
- Surge capability up to 85 A
- Electrically isolated “L - Package” is UL recognized for 2500Vrms
- Solid-state switching eliminates arcing or contact bounce that create voltage transients
- No contacts to wear out from reaction of switching events
- Restricted (or limited) RFI generation, depending on activation point of sine wave
- Requires only a small gate activation pulse in each half-cycle

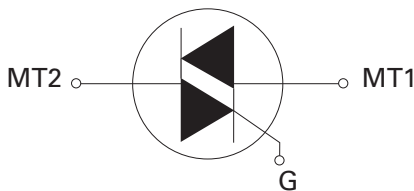
Agency Approval

| Agency | Agency File Number |
|--------|--------------------|
| | L Package: E71639 |

Main Features

| Symbol | Value | Unit |
|-------------------|-------------|------|
| $I_{T(RMS)}$ | 6 | A |
| V_{DRM}/V_{RRM} | 400 to 1000 | V |
| $I_{GT(Q1)}$ | 5 to 50 | mA |

Schematic Symbol



Applications

Excellent for AC switching and phase control applications such as heating, lighting, and motor speed controls.

Typical applications are AC solid-state switches, light dimmers, power tools, home/brown goods and white goods appliances.

Alternistor Triacs (no snubber required) are used in applications with extremely inductive loads requiring highest commutation performance.

Internally constructed isolated packages are offered for ease of heat sinking with highest isolation voltage.

Absolute Maximum Ratings – Sensitive Triac (4 Quadrants)

| Symbol | Parameter | Value | Unit | |
|--------------|---|---|------------|------------------|
| $I_{T(RMS)}$ | RMS on-state current (full sine wave) | Lxx06Ly $T_C = 80^\circ C$ | 6 | A |
| | | Lxx06Vy / Lxx06Dy/ Lxx06Ry $T_C = 85^\circ C$ | | |
| I_{TSM} | Non repetitive surge peak on-state current (full cycle, T_J initial = 25°C) | f = 50 Hz $t = 20$ ms | 50 | A |
| | | f = 60 Hz $t = 16.7$ ms | | |
| I^2t | I^2t Value for fusing | $t_p = 8.3$ ms | 15 | A ² s |
| di/dt | Critical rate of rise of on-state current $I_G = 50$ mA with 0.1µs rise time | f = 120 Hz $T_J = 110^\circ C$ | 70 | A/µs |
| I_{GTM} | Peak gate trigger current | $t_p \leq 10$ µs $T_J = 110^\circ C$ | 1.6 | A |
| $P_{G(AV)}$ | Average gate power dissipation | $T_J = 110^\circ C$ | 0.4 | W |
| T_{stg} | Storage temperature range | | -40 to 150 | °C |
| T_J | Operating junction temperature range | | -40 to 110 | °C |

Note: xx = voltage, y = sensitivity

Absolute Maximum Ratings — Standard Triac

| Symbol | Parameter | | | Value | Unit |
|--------------|---|--|---------------------------|------------|------------------------|
| $I_{T(RMS)}$ | RMS on-state current (full sine wave) | Qxx06Ry / Qxx06Ny | $T_C = 95^\circ\text{C}$ | 6 | A |
| | | Qxx06Ly | $T_C = 90^\circ\text{C}$ | | |
| I_{TSM} | Non repetitive surge peak on-state current (full cycle, T_J initial = 25°C) | f = 50 Hz | t = 20 ms | 65 | A |
| | | f = 60 Hz | t = 16.7 ms | 80 | |
| I^2t | I^2t Value for fusing | $t_p = 8.3$ ms | | 26.5 | A^2s |
| di/dt | Critical rate of rise of on-state current $I_G = 200\text{mA}$ with $0.1\mu\text{s}$ rise time | f = 120 Hz | $T_J = 125^\circ\text{C}$ | 70 | $\text{A}/\mu\text{s}$ |
| I_{GTM} | Peak gate trigger current | $t_p \leq 10 \mu\text{s}; I_{GT} \leq I_{GTM}$ | $T_J = 125^\circ\text{C}$ | 1.6 | A |
| $P_{G(AV)}$ | Average gate power dissipation | $T_J = 125^\circ\text{C}$ | | 0.5 | W |
| T_{stg} | Storage temperature range | | | -40 to 150 | $^\circ\text{C}$ |
| T_J | Operating junction temperature range | | | -40 to 125 | $^\circ\text{C}$ |

Note: xx = voltage, y = sensitivity

Absolute Maximum Ratings — Alternistor Triac (3 Quadrants)

| Symbol | Parameter | | | Value | Unit | |
|--------------|--|--|-------------|--|------------------|------------------------|
| $I_{T(RMS)}$ | RMS on-state current (full sine wave) | Qxx06LHy | | $T_C = 95^\circ\text{C}$ | 6 | A |
| | | Qxx06RH _y / Qxx06NH _y Qxx06VH _y / Qxx06DH _y | | $T_C = 100^\circ\text{C}$ | | |
| I_{TSM} | Non repetitive surge peak on-state current (full cycle, T_J initial = 25°C) | f = 50 Hz | t = 20 ms | Qxx06VHy Qxx06DHy | 55 | A |
| | | | | Qxx06LHy Qxx06RH _y Qxx06NH _y | 80 | |
| | | f = 60 Hz | t = 16.7 ms | Qxx06VHy Qxx06DHy | 65 | |
| | | | | Qxx06LHy Qxx06RH _y Qxx06NH _y | 85 | |
| I^2t | I^2t Value for fusing | $t_p = 8.3$ ms | | Qxx06VHy Qxx06DHy | 17.5 | A^2s |
| | | | | Qxx06LHy Qxx06RH _y Qxx06NH _y | 30 | |
| di/dt | Critical rate of rise of on-state current | f = 120 Hz | | $T_J = 125^\circ\text{C}$ | 70 | $\text{A}/\mu\text{s}$ |
| I_{GTM} | Peak gate trigger current | $t_p \leq 10 \mu\text{s}; I_{GT} \leq I_{GTM}$ | | $T_J = 125^\circ\text{C}$ | 1.6 | A |
| $P_{G(AV)}$ | Average gate power dissipation | $T_J = 125^\circ\text{C}$ | | 0.5 | W | |
| T_{stg} | Storage temperature range | | | -40 to 150 | $^\circ\text{C}$ | |
| T_J | Operating junction temperature range | | | -40 to 125 | $^\circ\text{C}$ | |

Note: xx = voltage, y = sensitivity

Electrical Characteristics (T_J = 25°C, unless otherwise specified) — Sensitive Triac (4 Quadrants)

| Symbol | Test Conditions | Quadrant | | Value | | | Unit |
|-----------------|--|--------------------|------|---------|---------|----------|------|
| | | | | Lxx06x5 | Lxx06x6 | Lxx06x8 | |
| I _{GT} | V _D = 12V R _L = 60 Ω | I – II – III IV | MAX. | 5 5 | 5 10 | 10 20 | mA |
| V _{GT} | | ALL | MAX. | 1.3 | | | V |
| V _{GD} | V _D = V _{DRM} R _L = 3.3 kΩ T _J = 110°C | ALL | MIN. | 0.2 | | | V |
| I _H | I _T = 100mA | | MAX. | 10 | 10 | 20 | mA |
| dv/dt | V _D = V _{DRM} Gate Open T _J = 100°C | 400V | TYP. | 30 | 30 | 40 | V/μs |
| (dv/dt)c | | 600V | | 20 | 20 | 30 | |
| (di/dt)c | (di/dt)c = 3.2 A/ms T _J = 110°C | | TYP. | 1 | 2 | 2 | V/μs |
| t _{gt} | I _G = 2 × I _{GT} PW = 15μs I _T = 8.5 A(pk) | | TYP. | 3.0 | 3.0 | 3.2 | μs |

Electrical Characteristics (T_J = 25°C, unless otherwise specified) — Standard Triac

| Symbol | Test Conditions | Quadrant | | Value | | Unit |
|-----------------|--|--------------------|--------------|----------|----------|------|
| | | | | Qxx06x4 | Qxx06x5 | |
| I _{GT} | V _D = 12V R _L = 60 Ω | I – II – III IV | MAX. TYP. | 25 50 | 50 75 | mA |
| V _{GT} | | I – II – III | MAX. | 1.3 | | V |
| V _{GD} | V _D = V _{DRM} R _L = 3.3 kΩ T _J = 125°C | ALL | MIN. | 0.2 | | V |
| I _H | I _T = 200mA | | MAX. | 50 | 50 | mA |
| dv/dt | V _D = V _{DRM} Gate Open T _J = 125°C | 400V | MIN. | 120 | | V/μs |
| | | 600V | | | 100 | |
| | | 800V | | | 85 | |
| | V _D = V _{DRM} Gate Open T _J = 100°C | 1000V | | | 100 | |
| (dv/dt)c | (di/dt)c = 3.2 A/ms T _J = 125°C | | TYP. | 4 | 4 | V/μs |
| t _{gt} | I _G = 2 × I _{GT} PW = 15μs I _T = 8.5 A(pk) | | TYP. | 3.0 | 3.0 | μs |

Electrical Characteristics (T_J = 25°C, unless otherwise specified) — Alternistor Triac (3 Quadrants)

| Symbol | Test Conditions | Quadrant | | Value | | Unit | |
|-----------------|--|--------------------------------------|------|----------|----------|------|------|
| | | | | Qxx06xH3 | Qxx06xH4 | | |
| I _{GT} | V _D = 12V R _L = 60 Ω | I – II – III | MAX. | 10 | 35 | mA | |
| V _{GT} | | I – II – III | MAX. | 1.3 | | V | |
| V _{GD} | V _D = V _{DRM} R _L = 3.3 kΩ T _J = 125°C | I – II – III | MIN. | 0.2 | | V | |
| I _H | I _T = 100mA | | MAX. | 15 | 35 | mA | |
| dv/dt | V _D = V _{DRM} Gate Open T _J = 125°C | Qxx06VHy / Qxx06DHy | MIN. | 400V | 75 | 400 | V/μs |
| | | | | 600V | 50 | 300 | |
| | | | | 800V | | 200 | |
| | | Qxx06LHy / Qxx06RHx / Qxx06NHx | | 400V | 75 | 450 | |
| | | | | 600V | 50 | 350 | |
| | | | | 800V | | 250 | |
| | V _D = V _{DRM} Gate Open T _J = 100°C | ALL | | 1000V | 150 | | |
| (dv/dt)c | (di/dt)c = 3.2 A/ms T _J = 125°C | | MIN. | 20 | 25 | V/μs | |
| t _{gt} | I _G = 2 × I _{GT} PW = 15μs I _T = 8.5 A(pk) | | TYP. | 4.0 | 4.0 | μs | |

Note: xx = voltage, x = package, y = sensitivity

Static Characteristics

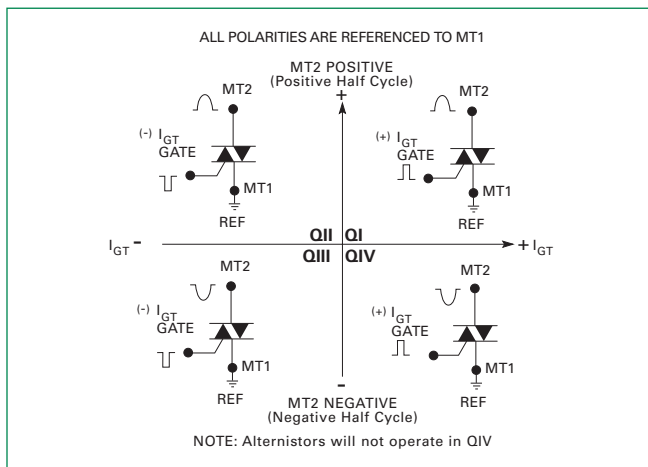
| Symbol | Test Conditions | | | Value | Unit | |
|---------------------|------------------------------------|----------|---------------------|-------------|--------|------------|
| V_{TM} | $I_{TM} = 11.3A$ $t_p = 380 \mu s$ | | | MAX. | 1.60 V | |
| I_{DRM} / I_{RRM} | $V_{DRM} = V_{RRM}$ | Lxx06xy | $T_J = 25^\circ C$ | 400 - 600V | MAX. | 20 μA |
| | | | $T_J = 110^\circ C$ | 400 - 600V | | 0.5 mA |
| | | Qxx06xy | $T_J = 25^\circ C$ | 400 - 1000V | | 50 μA |
| | | | $T_J = 125^\circ C$ | 400 - 800V | | 2 mA |
| | | | $T_J = 100^\circ C$ | 1000V | | 3 mA |
| | | Qxx06xHy | $T_J = 25^\circ C$ | 400 - 800V | | 10 μA |
| | | | | 1000V | | 20 μA |
| | | | $T_J = 125^\circ C$ | 400 - 800V | | 3 mA |
| | | | $T_J = 100^\circ C$ | 1000V | | 2 mA |

Thermal Resistances

| Symbol | Parameter | Value | Unit |
|-------------------|-----------------------|-------------------------|------|
| $R_{\theta(J-C)}$ | Junction to case (AC) | L/Qxx06Ryy / L/Qxx06Nyy | 1.8 |
| | | L/Qxx06Lyy | 3.3 |
| | | L/Qxx06Vyy / L/Qxx06Dyy | 3.2 |
| $R_{\theta(J-A)}$ | Junction to ambient | L/Qxx06Ryy | 45 |
| | | L/Qxx06Lyy | 50 |
| | | L/Qxx06Vyy | 70 |

Note: xx = voltage, x = package, y = sensitivity, yy = type & sensitivity

Figure 1: Definition of Quadrants



Note: Alternistors will not operate in QIV

Figure 2: Normalized DC Gate Trigger Current for All Quadrants vs. Junction Temperature

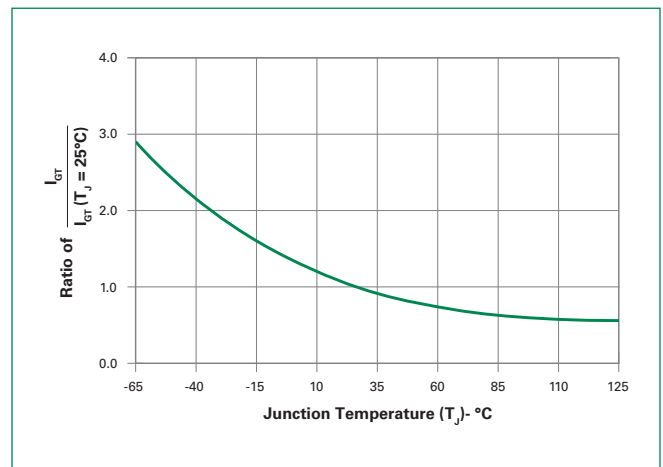


Figure 3: Normalized DC Holding Current vs. Junction Temperature

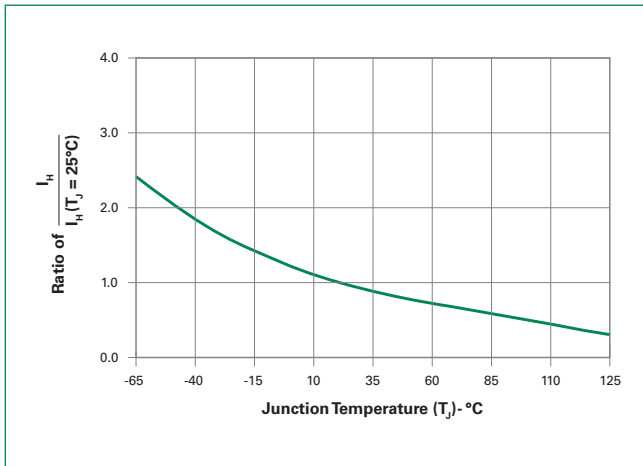


Figure 4: Normalized DC Gate Trigger Voltage for All Quadrants vs. Junction Temperature

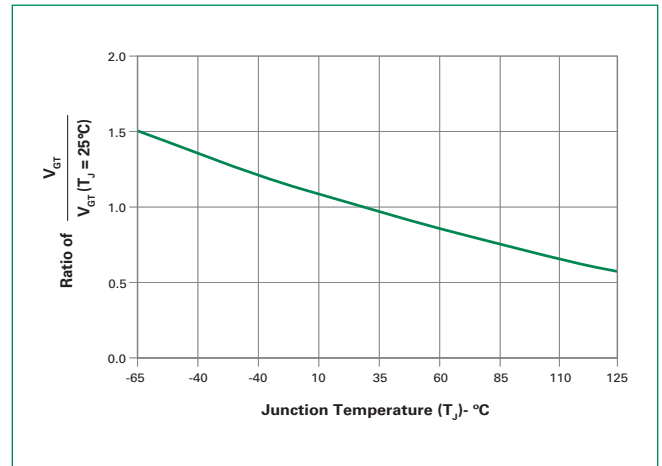


Figure 5: Power Dissipation (Typical) vs. RMS On-State Current

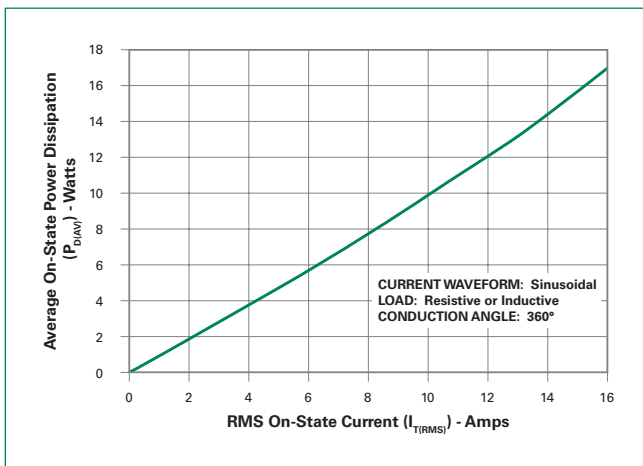


Figure 6: Maximum Allowable Case Temperature vs. On-State Current (Sensitive Triac)

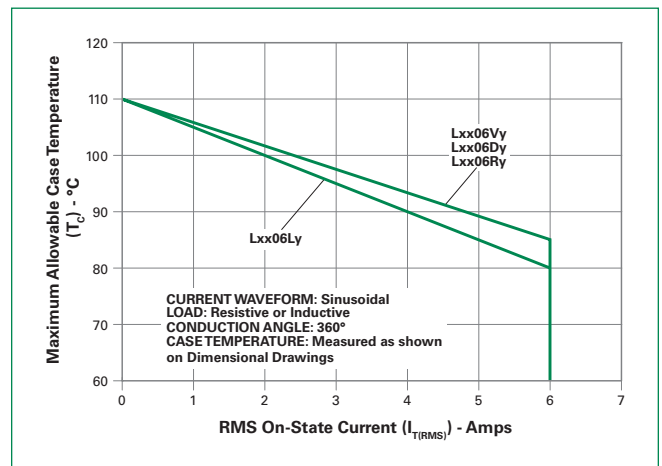


Figure 7: Maximum Allowable Case Temperature vs. On-State Current (Standard Triac)

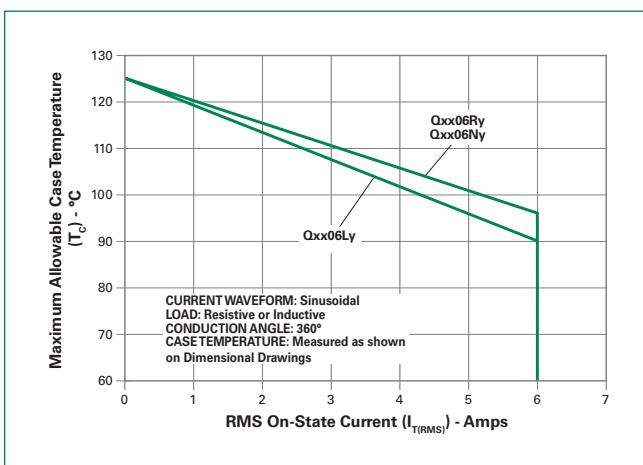


Figure 8: Maximum Allowable Case Temperature vs. On-State Current (Alternistor Triac)

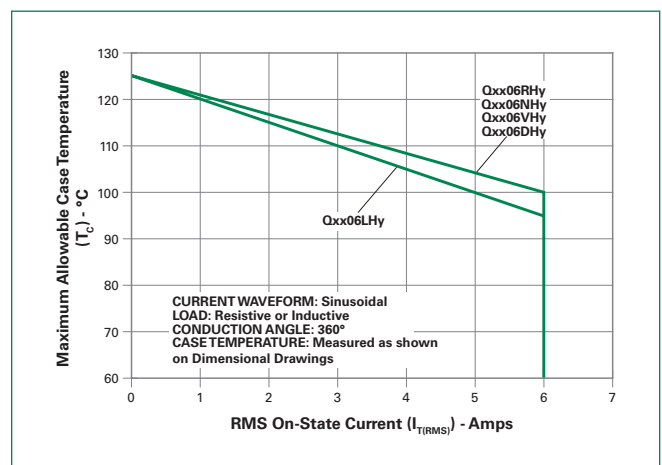


Figure 9: Maximum Allowable Ambient Temperature vs. On-State Current (Sensitive / Standard Triac)

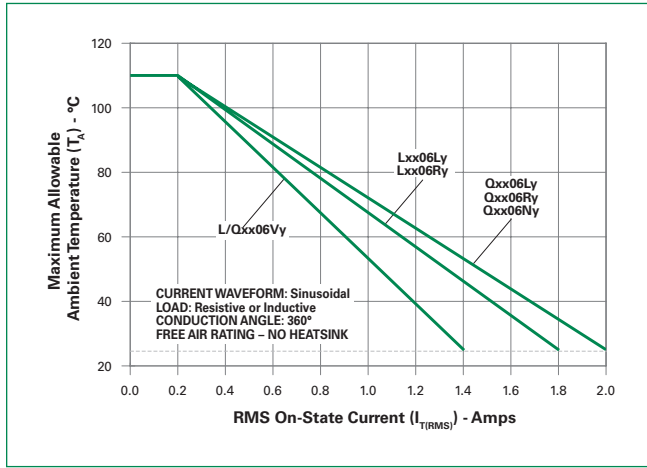


Figure 10: Maximum Allowable Ambient Temperature vs. On-State Current (Alternistor Triac)

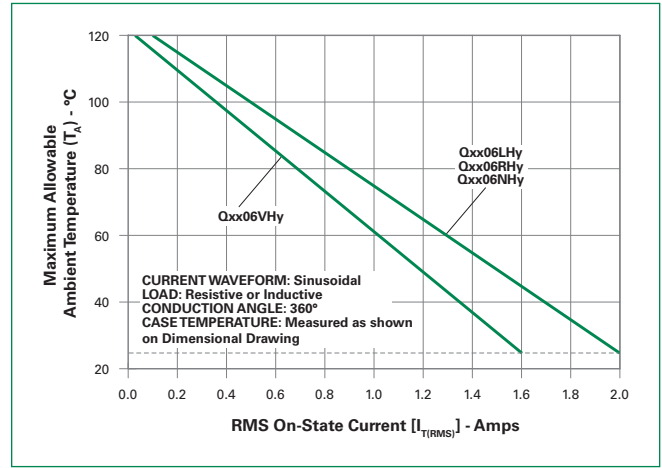


Figure 11: On-State Current vs. On-State Voltage (Typical)

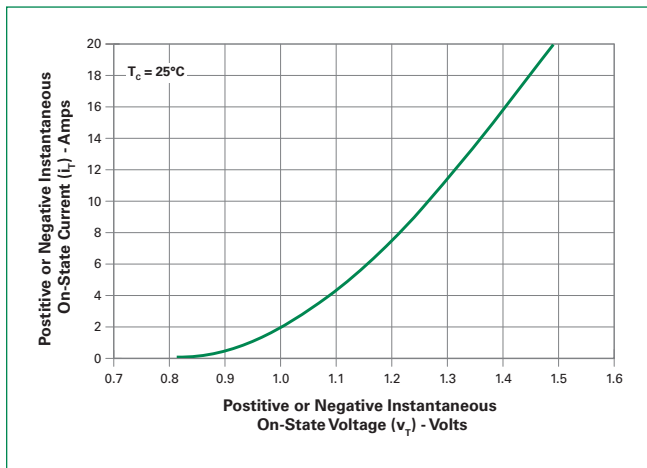


Figure 12: Surge Peak On-State Current vs. Number of Cycles (Sensitive / Standard Triac)

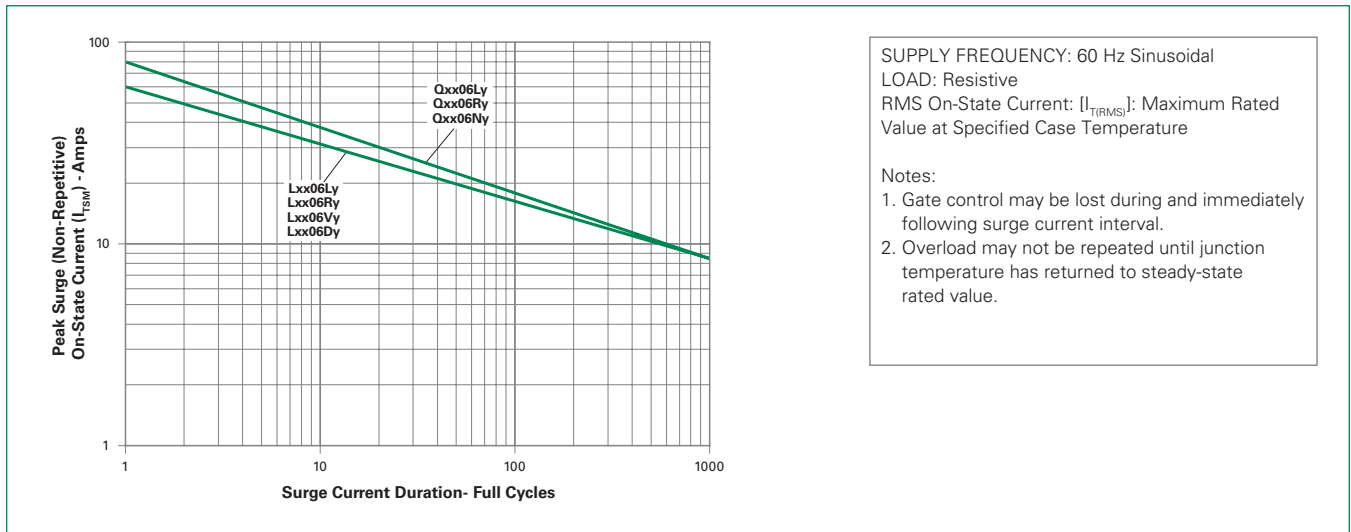
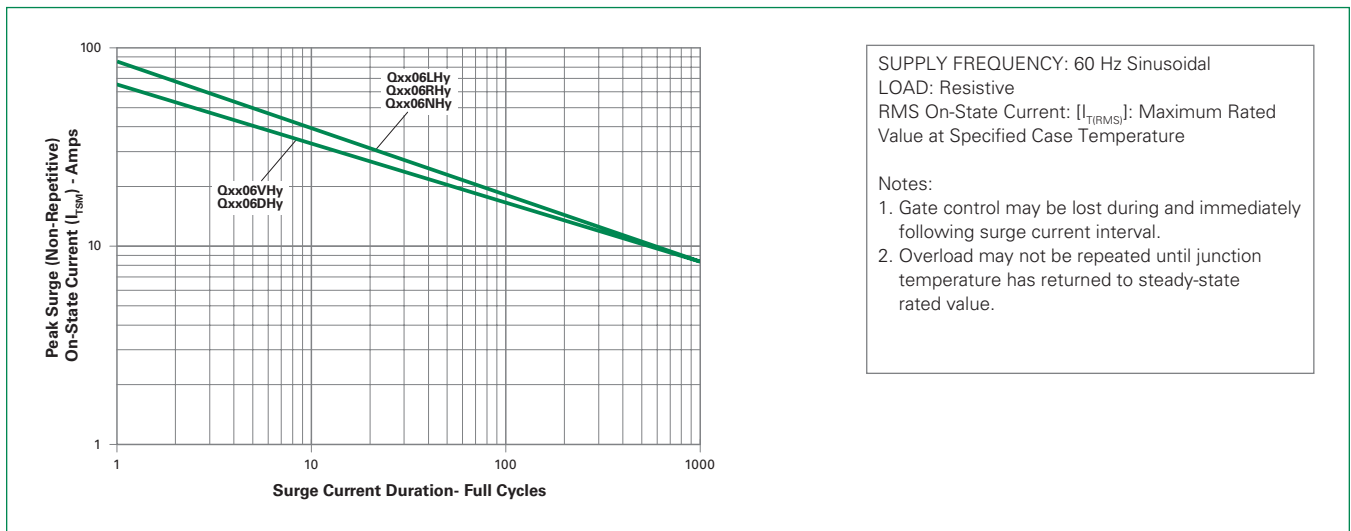


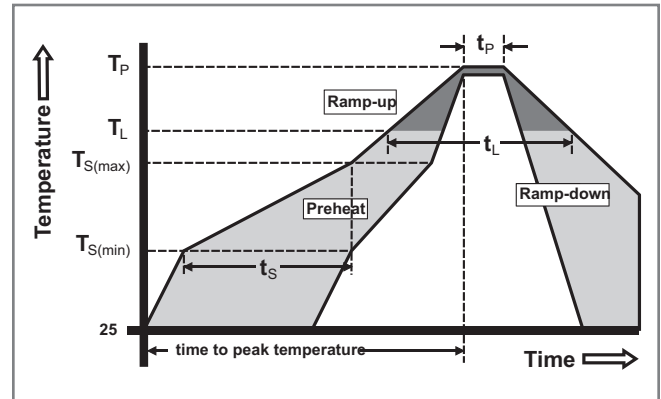
Figure 13: Surge Peak On-State Current vs. Number of Cycles (Alternistor Triac)



Note: xx = voltage, x = package, y = sensitivity, yy = type & sensitivity

Soldering Parameters

| | | |
|--|------------------------------------|-------------------------|
| Reflow Condition | | Pb – Free assembly |
| Pre Heat | - Temperature Min ($T_{s(min)}$) | 150°C |
| | - Temperature Max ($T_{s(max)}$) | 200°C |
| | - Time (min to max) (t_s) | 60 – 180 secs |
| Average ramp up rate (Liquidus Temp (T_L) to peak) | | 5°C/second max |
| $T_{s(max)}$ to T_L - Ramp-up Rate | | 5°C/second max |
| Reflow | - Temperature (T_L) (Liquidus) | 217°C |
| | - Temperature (t_L) | 60 – 150 seconds |
| Peak Temperature (T_p) | | 260 ^{+0/-5} °C |
| Time within 5°C of actual peak Temperature (t_p) | | 20 – 40 seconds |
| Ramp-down Rate | | 5°C/second max |
| Time 25°C to peak Temperature (T_p) | | 8 minutes Max. |
| Do not exceed | | 280°C |



Physical Specifications

| | |
|--------------------------|---|
| Terminal Finish | 100% Matte Tin-plated |
| Body Material | UL recognized epoxy meeting flammability classification 94V-0 |
| Terminal Material | Copper Alloy |

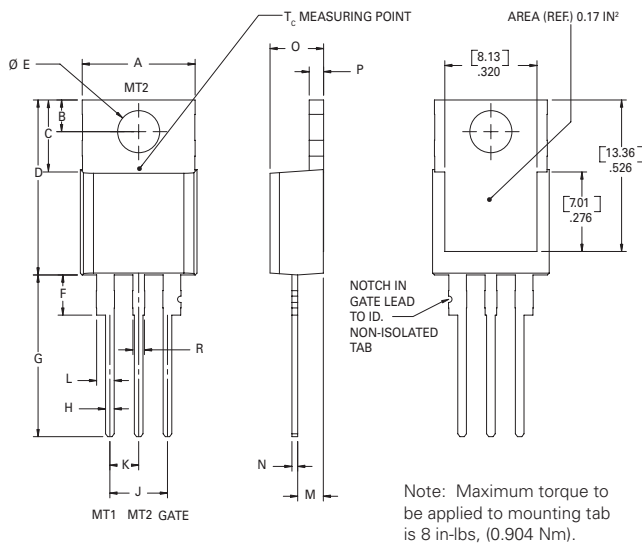
Design Considerations

Careful selection of the correct device for the application's operating parameters and environment will go a long way toward extending the operating life of the Thyristor. Good design practice should limit the maximum continuous current through the main terminals to 75% of the device rating. Other ways to ensure long life for a power discrete semiconductor are proper heat sinking and selection of voltage ratings for worst case conditions. Overheating, overvoltage (including dv/dt), and surge currents are the main killers of semiconductors. Correct mounting, soldering, and forming of the leads also help protect against component damage.

Environmental Specifications

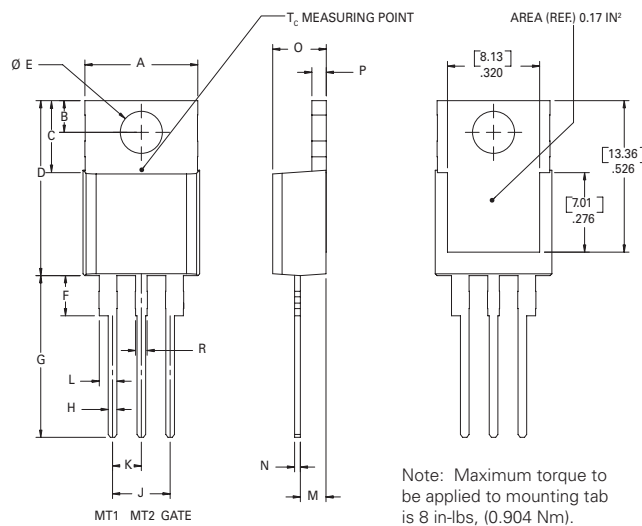
| Test | Specifications and Conditions |
|---|---|
| AC Blocking (V_{DRM}) | MIL-STD-750, M-1040, Cond A Applied Peak AC voltage @ 125°C for 1008 hours |
| Temperature Cycling | MIL-STD-750, M-1051, 100 cycles; -40°C to +150°C; 15-min dwell-time |
| Temperature/Humidity | EIA / JEDEC, JESD22-A101 1008 hours; 320V - DC: 85°C; 85% rel humidity |
| High Temp Storage | MIL-STD-750, M-1031, 1008 hours; 150°C |
| Low-Temp Storage | 1008 hours; -40°C |
| Thermal Shock | MIL-STD-750, M-1056 10 cycles; 0°C to 100°C; 5-min dwell-time at each temperature; 10 sec (max) transfer time between temperature |
| Autoclave | EIA / JEDEC, JESD22-A102 168 hours (121°C at 2 ATMs) and 100% R/H |
| Resistance to Solder Heat | MIL-STD-750 Method 2031 |
| Solderability | ANSI/J-STD-002, category 3, Test A |
| Lead Bend | MIL-STD-750, M-2036 Cond E |

Dimensions — TO-220AB (R-Package) — Non-Isolated Mounting Tab Common with Center Lead



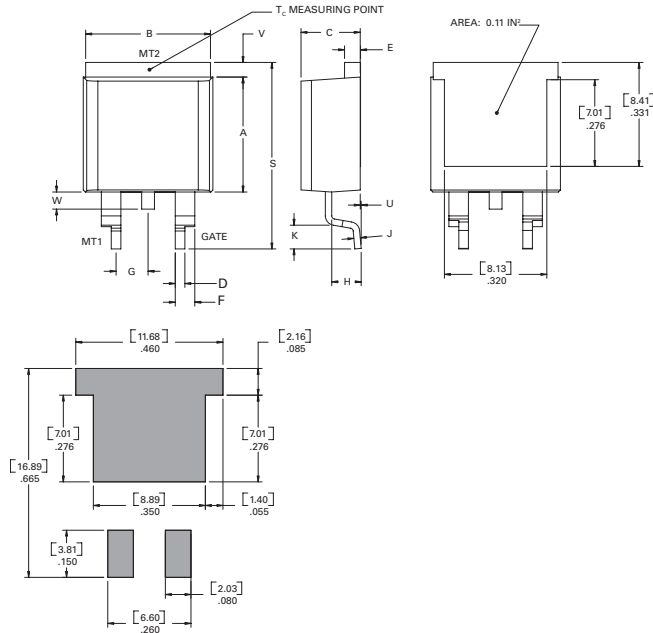
| Dimension | Inches | | Millimeters | |
|-----------|--------|-------|-------------|-------|
| | Min | Max | Min | Max |
| A | 0.380 | 0.420 | 9.65 | 10.67 |
| B | 0.105 | 0.115 | 2.67 | 2.92 |
| C | 0.230 | 0.250 | 5.84 | 6.35 |
| D | 0.590 | 0.620 | 14.99 | 15.75 |
| E | 0.142 | 0.147 | 3.61 | 3.73 |
| F | 0.110 | 0.130 | 2.79 | 3.30 |
| G | 0.540 | 0.575 | 13.72 | 14.61 |
| H | 0.025 | 0.035 | 0.64 | 0.89 |
| J | 0.195 | 0.205 | 4.95 | 5.21 |
| K | 0.095 | 0.105 | 2.41 | 2.67 |
| L | 0.060 | 0.075 | 1.52 | 1.91 |
| M | 0.085 | 0.095 | 2.16 | 2.41 |
| N | 0.018 | 0.024 | 0.46 | 0.61 |
| O | 0.178 | 0.188 | 4.52 | 4.78 |
| P | 0.045 | 0.060 | 1.14 | 1.52 |
| R | 0.038 | 0.048 | 0.97 | 1.22 |

Dimensions — TO-220AB (L-Package) — Isolated Mounting Tab



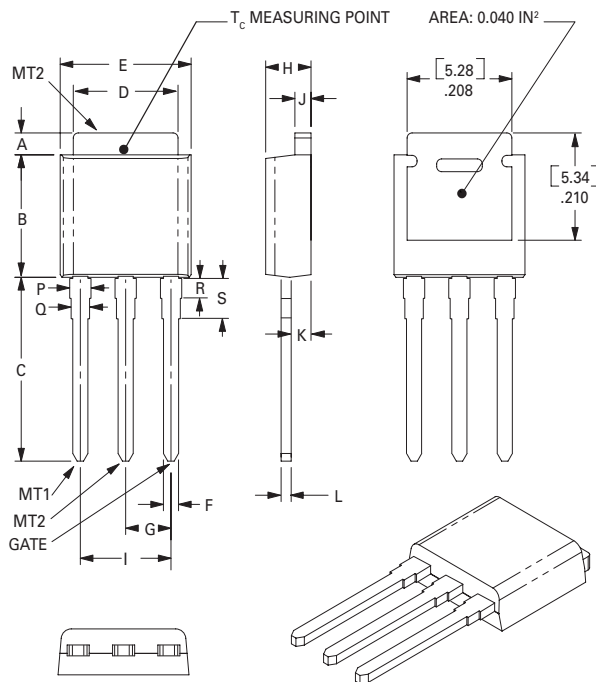
| Dimension | Inches | | Millimeters | |
|-----------|--------|-------|-------------|-------|
| | Min | Max | Min | Max |
| A | 0.380 | 0.420 | 9.65 | 10.67 |
| B | 0.105 | 0.115 | 2.67 | 2.92 |
| C | 0.230 | 0.250 | 5.84 | 6.35 |
| D | 0.590 | 0.620 | 14.99 | 15.75 |
| E | 0.142 | 0.147 | 3.61 | 3.73 |
| F | 0.110 | 0.130 | 2.79 | 3.30 |
| G | 0.540 | 0.575 | 13.72 | 14.61 |
| H | 0.025 | 0.035 | 0.64 | 0.89 |
| J | 0.195 | 0.205 | 4.95 | 5.21 |
| K | 0.095 | 0.105 | 2.41 | 2.67 |
| L | 0.060 | 0.075 | 1.52 | 1.91 |
| M | 0.085 | 0.095 | 2.16 | 2.41 |
| N | 0.018 | 0.024 | 0.46 | 0.61 |
| O | 0.178 | 0.188 | 4.52 | 4.78 |
| P | 0.045 | 0.060 | 1.14 | 1.52 |
| R | 0.038 | 0.048 | 0.97 | 1.22 |

Dimensions — TO-263AB (N-Package) — D²-PAK Surface Mount



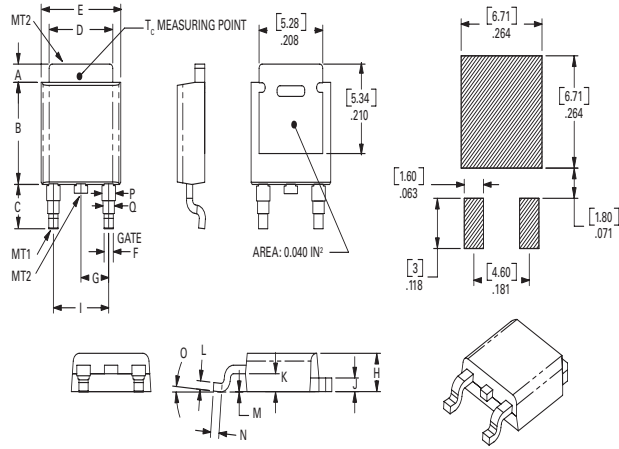
| Dimension | Inches | | Millimeters | |
|-----------|--------|-------|-------------|-------|
| | Min | Max | Min | Max |
| A | 0.360 | 0.370 | 9.14 | 9.40 |
| B | 0.380 | 0.420 | 9.65 | 10.67 |
| C | 0.178 | 0.188 | 4.52 | 4.78 |
| D | 0.025 | 0.035 | 0.64 | 0.89 |
| E | 0.045 | 0.060 | 1.14 | 1.52 |
| F | 0.060 | 0.075 | 1.52 | 1.91 |
| G | 0.095 | 0.105 | 2.41 | 2.67 |
| H | 0.092 | 0.102 | 2.34 | 2.59 |
| J | 0.018 | 0.024 | 0.46 | 0.61 |
| K | 0.090 | 0.110 | 2.29 | 2.79 |
| S | 0.590 | 0.625 | 14.99 | 15.88 |
| V | 0.035 | 0.045 | 0.89 | 1.14 |
| U | 0.002 | 0.010 | 0.05 | 0.25 |
| W | 0.040 | 0.070 | 1.02 | 1.78 |

Dimensions — TO-251AA (V-Package) — V-PAK Through Hole



| Dimension | Inches | | | Millimeters | | |
|-----------|--------|-------|-------|-------------|------|------|
| | Min | Typ | Max | Min | Typ | Max |
| A | 0.040 | 0.044 | 0.050 | 1.02 | 1.11 | 1.27 |
| B | 0.235 | 0.242 | 0.245 | 5.97 | 6.15 | 6.22 |
| C | 0.350 | 0.361 | 0.375 | 8.89 | 9.18 | 9.53 |
| D | 0.205 | 0.208 | 0.213 | 5.21 | 5.29 | 5.41 |
| E | 0.255 | 0.262 | 0.265 | 6.48 | 6.66 | 6.73 |
| F | 0.027 | 0.031 | 0.033 | 0.69 | 0.80 | 0.84 |
| G | 0.087 | 0.090 | 0.093 | 2.21 | 2.28 | 2.36 |
| H | 0.085 | 0.092 | 0.095 | 2.16 | 2.34 | 2.41 |
| I | 0.176 | 0.180 | 0.184 | 4.47 | 4.57 | 4.67 |
| J | 0.018 | 0.020 | 0.023 | 0.46 | 0.51 | 0.58 |
| K | 0.038 | 0.040 | 0.044 | 0.97 | 1.01 | 1.12 |
| L | 0.018 | 0.020 | 0.023 | 0.46 | 0.52 | 0.58 |
| P | 0.042 | 0.047 | 0.052 | 1.06 | 1.20 | 1.32 |
| Q | 0.034 | 0.039 | 0.044 | 0.86 | 1.00 | 1.11 |
| R | 0.034 | 0.039 | 0.044 | 0.86 | 1.00 | 1.11 |
| S | 0.074 | 0.079 | 0.084 | 1.86 | 2.00 | 2.11 |

Dimensions — TO-252AA (D-Package) — D-PAK Surface mount



| Dimension | Inches | | | Millimeters | | |
|-----------|--------|-------|-------|-------------|------|------|
| | Min | Typ | Max | Min | Typ | Max |
| A | 0.040 | 0.043 | 0.050 | 1.02 | 1.09 | 1.27 |
| B | 0.235 | 0.243 | 0.245 | 5.97 | 6.16 | 6.22 |
| C | 0.106 | 0.108 | 0.113 | 2.69 | 2.74 | 2.87 |
| D | 0.205 | 0.208 | 0.213 | 5.21 | 5.29 | 5.41 |
| E | 0.255 | 0.262 | 0.265 | 6.48 | 6.65 | 6.73 |
| F | 0.027 | 0.031 | 0.033 | 0.69 | 0.80 | 0.84 |
| G | 0.087 | 0.090 | 0.093 | 2.21 | 2.28 | 2.36 |
| H | 0.085 | 0.092 | 0.095 | 2.16 | 2.33 | 2.41 |
| I | 0.176 | 0.179 | 0.184 | 4.47 | 4.55 | 4.67 |
| J | 0.018 | 0.020 | 0.023 | 0.46 | 0.51 | 0.58 |
| K | 0.038 | 0.040 | 0.044 | 0.97 | 1.02 | 1.12 |
| L | 0.018 | 0.020 | 0.023 | 0.46 | 0.51 | 0.58 |
| M | 0.000 | 0.000 | 0.004 | 0.00 | 0.00 | 0.10 |
| N | 0.021 | 0.026 | 0.027 | 0.53 | 0.67 | 0.69 |
| O | 0° | 0° | 5° | 0° | 0° | 5° |
| P | 0.042 | 0.047 | 0.052 | 1.06 | 1.20 | 1.32 |
| Q | 0.034 | 0.039 | 0.044 | 0.86 | 1.00 | 1.11 |

Product Selector

| Part Number | Voltage | | | | Gate Sensitivity Quadrants | | Type | Package |
|-------------|---------|------|------|-------|----------------------------|-------|-------------------|----------------------------|
| | 400V | 600V | 800V | 1000V | I - II - III | IV | | |
| Lxx06L5 | X | X | | | 5 mA | 5 mA | Sensitive Triac | TO-220L |
| Lxx06D5 | X | X | | | 5 mA | 5 mA | Sensitive Triac | TO-252 D-PAK |
| Lxx06R5 | X | X | | | 5mA | 5mA | Sensitive Triac | TO-220R |
| Lxx06V5 | X | X | | | 5 mA | 5 mA | Sensitive Triac | TO-251 V-PAK |
| Lxx06L6 | X | X | | | 5 mA | 10 mA | Sensitive Triac | TO-220L |
| Lxx06D6 | X | X | | | 5 mA | 10 mA | Sensitive Triac | TO-252 D-PAK |
| Lxx06R6 | X | X | | | 5mA | 10mA | Sensitive Triac | TO-220R |
| Lxx06V6 | X | X | | | 5 mA | 10 mA | Sensitive Triac | TO-251 V-PAK |
| Lxx06L8 | X | X | | | 10 mA | 20 mA | Sensitive Triac | TO-220L |
| Lxx06D8 | X | X | | | 10 mA | 20 mA | Sensitive Triac | TO-252 D-PAK |
| Lxx06R8 | X | X | | | 10mA | 20mA | Sensitive Triac | TO-220R |
| Lxx06V8 | X | X | | | 10 mA | 20 mA | Sensitive Triac | TO-251 V-PAK |
| Qxx06VH3 | X | X | | | 10 mA | | Alternistor Triac | TO-251 V-PAK |
| Qxx06DH3 | X | X | | | 10 mA | | Alternistor Triac | TO-252 D-PAK |
| Qxx06L4 | X | | | | 25 mA | | Standard Triac | TO-220L |
| Qxx06R4 | X | | | | 25 mA | | Standard Triac | TO-220R |
| Qxx06N4 | X | | | | 25 mA | | Standard Triac | TO-263 D ² -PAK |
| Qxx06RH3 | X | X | | | 10mA | | Alternistor Triac | TO-220R |
| Qxx06LH4 | X | X | X | X | 35 mA | | Alternistor Triac | TO-220L |
| Qxx06RH4 | X | X | X | X | 35 mA | | Alternistor Triac | TO-220R |
| Qxx06VH4 | X | X | X | X | 35 mA | | Alternistor Triac | TO-251 V-PAK |
| Qxx06DH4 | X | X | X | X | 35 mA | | Alternistor Triac | TO-252 D-PAK |
| Qxx06NH4 | X | X | X | X | 35 mA | | Alternistor Triac | TO-263 D ² -PAK |
| Qxx06L5 | | X | X | X | 50 mA | | Standard Triac | TO-220L |
| Qxx06R5 | | X | X | X | 50 mA | | Standard Triac | TO-220R |
| Qxx06N5 | | X | X | X | 50 mA | | Standard Triac | TO-263 D ² -PAK |

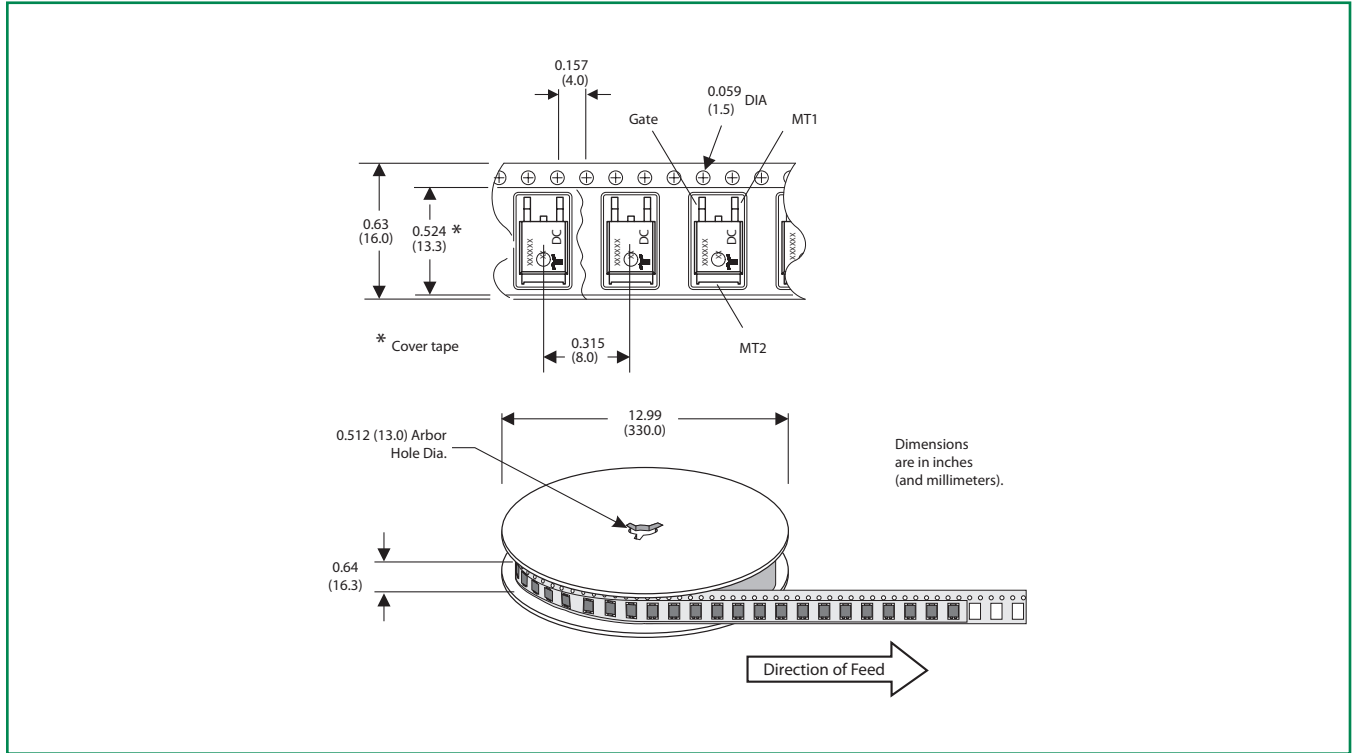
Packing Options

| Part Number | Marking | Weight | Packing Mode | Base Quantity |
|--------------|------------|--------|------------------|-------------------|
| Lxx06L/Ry | Lxx06L/Ry | 2.2 g | Bulk | 500 |
| Lxx06L/RyTP | Lxx06L/Ry | 2.2 g | Tube Pack | 500 (50 per tube) |
| Lxx06DyTP | Lxx06Dy | 0.3 g | Tube | 750 (75 per tube) |
| Lxx06DyRP | Lxx06Dy | 0.3 g | Embossed Carrier | 2500 |
| Lxx06VyTP | Lxx06Vy | 0.4 g | Tube | 750 (75 per tube) |
| Qxx06L/Ryy | Qxx06L/Ryy | 2.2 g | Bulk | 500 |
| Qxx06L/RyyTP | Qxx06L/Ryy | 2.2 g | Tube Pack | 500 (50 per tube) |
| Qxx06NyyTP | Qxx06Nyy | 1.6 g | Tube | 500 (50 per tube) |
| Qxx06NyyRP | Qxx06Nyy | 1.6 g | Embossed Carrier | 500 |
| Qxx06DyyTP | Qxx06Dyy | 0.3 g | Tube | 750 (75 per tube) |
| Qxx06DyyRP | Qxx06Dyy | 0.3 g | Embossed Carrier | 2500 |
| Qxx06VyyTP | Qxx06Vyy | 0.4 g | Tube | 750 (75 per tube) |

Note: xx = voltage; yy = sensitivity

TO-252 Embossed Carrier Reel Pack (RP) Specifications

Meets all EIA-481-2 Standards

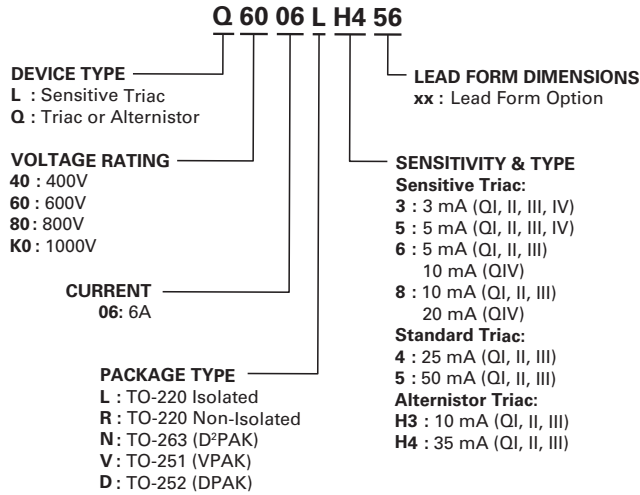


TO-263 Embossed Carrier Reel Pack (RP) Specifications

Meets all EIA-481-2 Standards



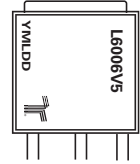
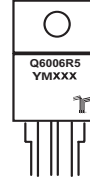
Part Numbering System



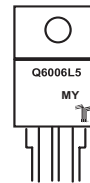
Part Marking System

TO-220 AB – (R Package)
 TO-263 AB – (N Package)

TO-252AA – (D Package)
 TO-251AA – (V Package)



TO-220 AB – (L Package)





Стандарт Электрон Связь

Мы молодая и активно развивающаяся компания в области поставок электронных компонентов. Мы поставляем электронные компоненты отечественного и импортного производства напрямую от производителей и с крупнейших складов мира.

Благодаря сотрудничеству с мировыми поставщиками мы осуществляем комплексные и плановые поставки широчайшего спектра электронных компонентов.

Собственная эффективная логистика и склад в обеспечивает надежную поставку продукции в точно указанные сроки по всей России.

Мы осуществляем техническую поддержку нашим клиентам и предпродажную проверку качества продукции. На все поставляемые продукты мы предоставляем гарантию .

Осуществляем поставки продукции под контролем ВП МО РФ на предприятия военно-промышленного комплекса России , а также работаем в рамках 275 ФЗ с открытием отдельных счетов в уполномоченном банке. Система менеджмента качества компании соответствует требованиям ГОСТ ISO 9001.

Минимальные сроки поставки, гибкие цены, неограниченный ассортимент и индивидуальный подход к клиентам являются основой для выстраивания долгосрочного и эффективного сотрудничества с предприятиями радиоэлектронной промышленности, предприятиями ВПК и научно-исследовательскими институтами России.

С нами вы становитесь еще успешнее!

Наши контакты:

Телефон: +7 812 627 14 35

Электронная почта: sales@st-electron.ru

Адрес: 198099, Санкт-Петербург,
Промышленная ул, дом № 19, литера Н,
помещение 100-Н Офис 331