
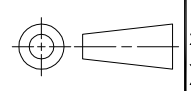


THIS DRAWING IS UNPUBLISHED. RELEASED FOR PUBLICATION AUG ,2006.
 © COPYRIGHT BY TYCO ELECTRONICS CORPORATION. ALL RIGHTS RESERVED.

LOC	DIST	REVISIONS					
DW		P	LTR	DESCRIPTION	DATE	DWN	APVD
		G		REVISED PER ECR-16-003830	14MAR16	FL	SY

WEIGHT(g)	PCI-E COMPLIANCE	HOUSING MATERIAL	DIM. L	DIM. E	DIM. D	DIM. C	DIM. B	DIM. A	POS.	HOUSING COLOR	MIN. GOLD THICKNESS	PART NUMBER		
8.7	GEN II & GEN III	PA9T	2.30	71.35	70	73.15	89	71.65	164	BLACK	15u"	4-1734774-8		
5.45				38.35	37	40.15	56	38.65	98	WHITE	15u"	4-1734774-7		
3.85				21.35	20	23.15	39	21.65	64	BLACK	15u"	4-1734774-6		
2.55				7.35	6	9.15	25	7.65	36	WHITE	15u"	4-1734774-5		
8.7				71.35	70	73.15	89	71.65	164	BLACK	15u"	4-1734774-4		
5.45				38.35	37	40.15	56	38.65	98	WHITE	15u"	4-1734774-3		
3.85			21.35	20	23.15	39	21.65	64	BLACK	15u"	4-1734774-2			
2.55			7.35	6	9.15	25	7.65	36	WHITE	15u"	4-1734774-1			
8.7			3.10	PA9T	2.30	71.35	70	73.15	89	71.65	164	BLACK	G/F	3-1734774-9
5.45						38.35	37	40.15	56	38.65	98	WHITE	G/F	3-1734774-8
3.85					21.35	20	23.15	39	21.65	64	BLACK	G/F	3-1734774-7	
2.55					7.35	6	9.15	25	7.65	36	WHITE	G/F	3-1734774-6	
8.7	3.10	PA9T			2.30	71.35	70	73.15	89	71.65	164	BLACK	15u"	3-1734774-6
5.45						38.35	37	40.15	56	38.65	98	WHITE	15u"	3-1734774-5
3.85	21.35	20	23.15	39	21.65	64	BLACK	15u"	3-1734774-4					
2.55	7.35	6	9.15	25	7.65	36	WHITE	15u"	3-1734774-3					
8.7	3.10	PA9T	2.30	71.35	70	73.15	89	71.65	164	BLACK	G/F	3-1734774-6		
5.45				38.35	37	40.15	56	38.65	98	WHITE	G/F	3-1734774-5		
3.85			21.35	20	23.15	39	21.65	64	BLACK	G/F	3-1734774-4			
2.55			7.35	6	9.15	25	7.65	36	WHITE	G/F	3-1734774-3			
8.7			3.10	PA9T	2.30	71.35	70	73.15	89	71.65	164	BLACK	15u"	3-1734774-6
5.45						38.35	37	40.15	56	38.65	98	WHITE	15u"	3-1734774-5
3.85	21.35	20	23.15	39	21.65	64	BLACK	15u"	3-1734774-4					
2.55	7.35	6	9.15	25	7.65	36	WHITE	15u"	3-1734774-3					

WEIGHT(g)	PCI-E COMPLIANCE	HOUSING MATERIAL	DIM. L	DIM. E	DIM. D	DIM. C	DIM. B	DIM. A	POS.	HOUSING COLOR	MIN. GOLD THICKNESS	PART NUMBER		
8.8	GEN II	PA46	2.30	71.35	70	73.15	89	71.65	164	BLACK	15u"	9-1734774-7		
5.5				38.35	37	40.15	56	38.65	98	WHITE	15u"	9-1734774-6		
3.9				21.35	20	23.15	39	21.65	64	BLACK	15u"	9-1734774-5		
2.55				7.35	6	9.15	25	7.65	36	WHITE	15u"	9-1734774-4		
8.8				71.35	70	73.15	89	71.65	164	BLACK	15u"	9-1734774-3		
5.5				38.35	37	40.15	56	38.65	98	WHITE	15u"	9-1734774-2		
3.9			21.35	20	23.15	39	21.65	64	BLACK	15u"	9-1734774-1			
2.55			7.35	6	9.15	25	7.65	36	WHITE	15u"	9-1734774-0			
8.8			3.10	PA46	2.30	71.35	70	73.15	89	71.65	164	BLACK	G/F	8-1734774-9
5.5						38.35	37	40.15	56	38.65	98	WHITE	G/F	8-1734774-8
3.9					21.35	20	23.15	39	21.65	64	BLACK	G/F	8-1734774-7	
2.55					7.35	6	9.15	25	7.65	36	WHITE	G/F	8-1734774-6	
8.8	3.10	PA46			2.30	71.35	70	73.15	89	71.65	164	BLACK	15u"	8-1734774-5
5.5						38.35	37	40.15	56	38.65	98	WHITE	15u"	8-1734774-4
3.9	21.35	20	23.15	39	21.65	64	BLACK	15u"	8-1734774-3					
2.55	7.35	6	9.15	25	7.65	36	WHITE	15u"	8-1734774-2					
8.8	3.10	PA46	2.30	71.35	70	73.15	89	71.65	164	BLACK	G/F	8-1734774-9		
5.5				38.35	37	40.15	56	38.65	98	WHITE	G/F	8-1734774-8		
3.9			21.35	20	23.15	39	21.65	64	BLACK	G/F	8-1734774-7			
2.55			7.35	6	9.15	25	7.65	36	WHITE	G/F	8-1734774-6			
8.8			3.10	PA46	2.30	71.35	70	73.15	89	71.65	164	BLACK	15u"	8-1734774-5
5.5						38.35	37	40.15	56	38.65	98	WHITE	15u"	8-1734774-4
3.9	21.35	20	23.15	39	21.65	64	BLACK	15u"	8-1734774-3					
2.55	7.35	6	9.15	25	7.65	36	WHITE	15u"	8-1734774-2					

THIS DRAWING IS A CONTROLLED DOCUMENT.		DWN	B. HSING	15JUL2009	 TE Connectivity
DIMENSIONS: MM		CHK	S. CHIEN	15JUL2009	
		APVD	W. KODAMA	15JUL2009	
TOLERANCES UNLESS OTHERWISE SPECIFIED:		PRODUCT SPEC		NAME	
0 PLC ± - 1 PLC ± 0.3 2 PLC ± 0.2 3 PLC ± 0.15 4 PLC ± - ANGLES ± 3'		APPLICATION SPEC		PCI EXPRESS CARD EDGE CONNECTOR VERTICAL, DIP TYPE, 3GIO	
MATERIAL		WEIGHT		108-57871 A3 00779 C=1734774	RESTRICTED TO
CUSTOMER DRAWING		SCALE		SHEET	1 OF 5
				REV	G

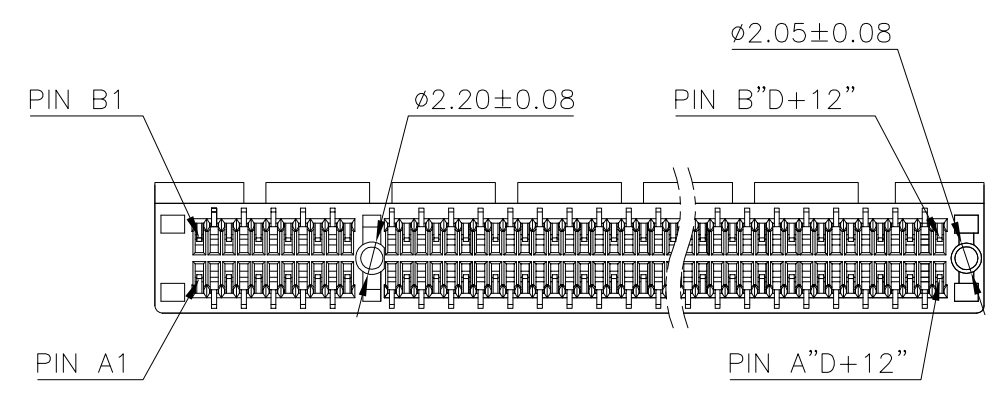
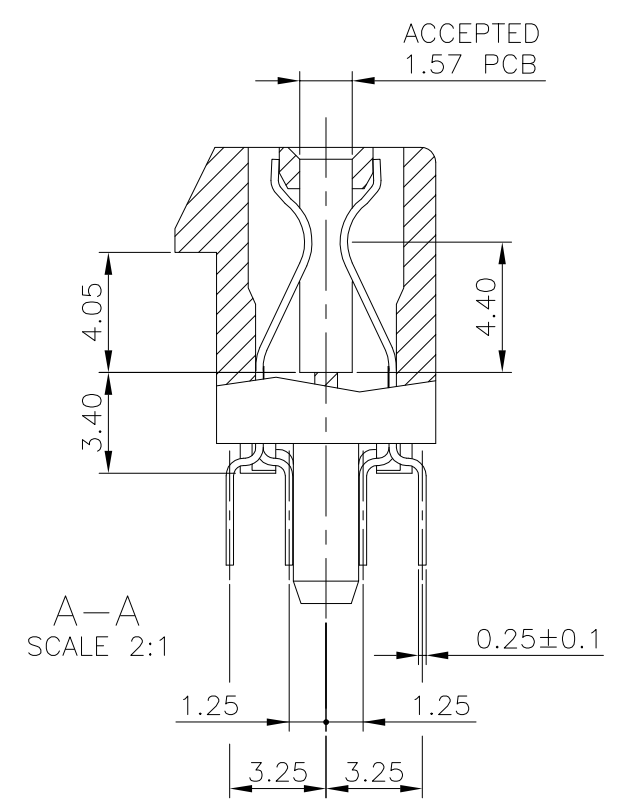
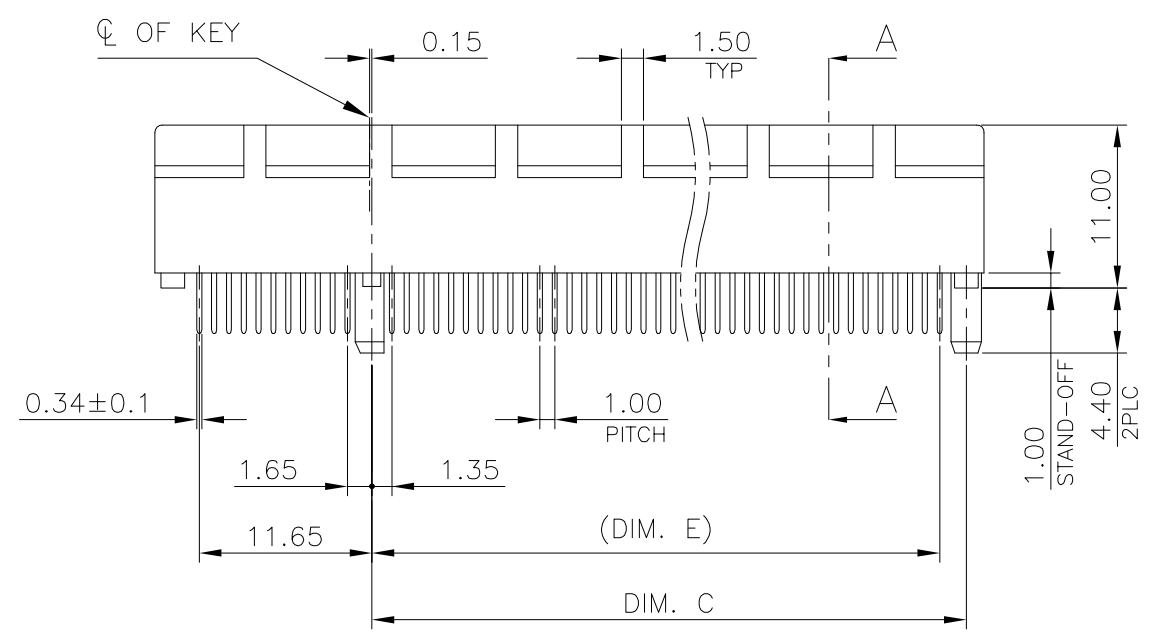
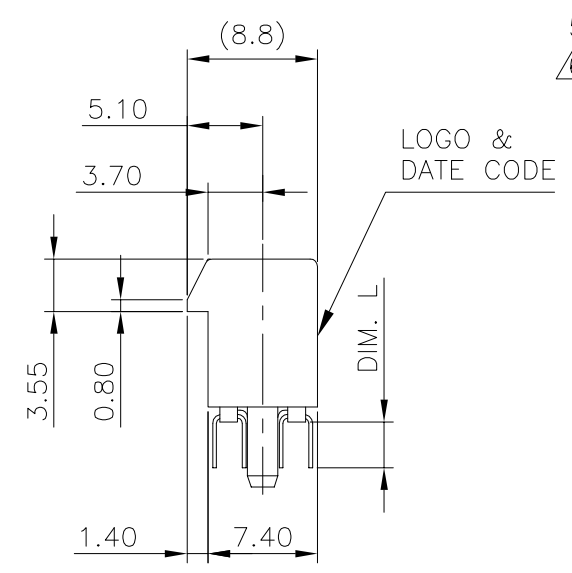
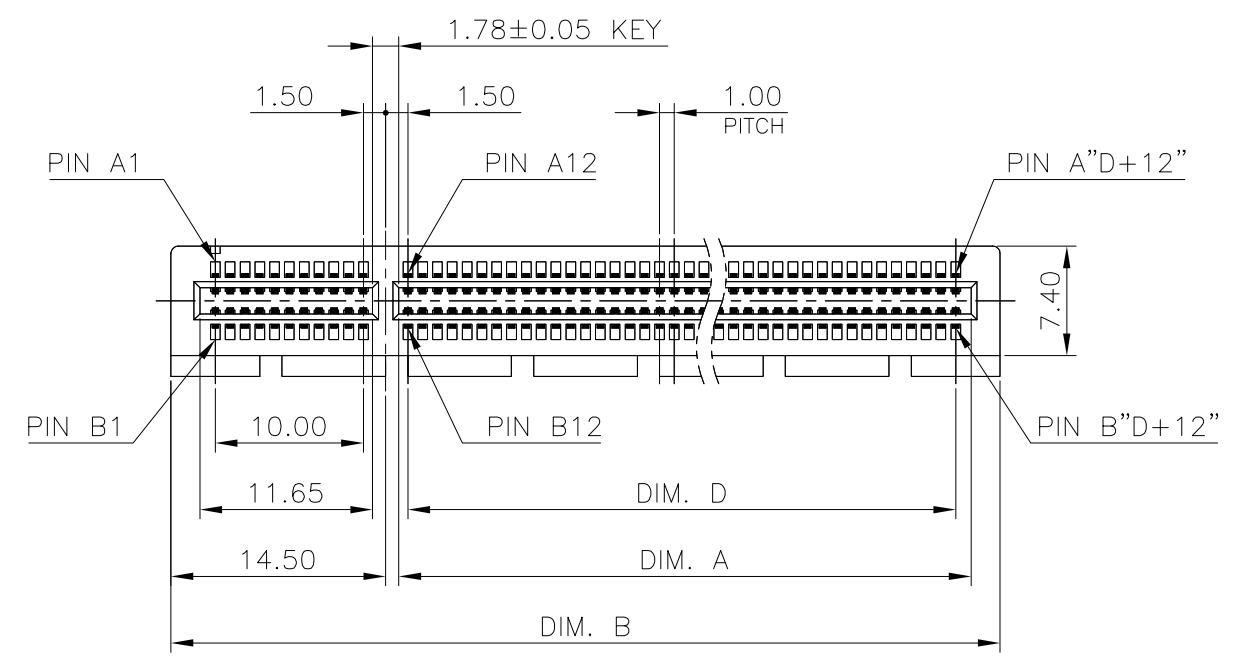
THIS DRAWING IS UNPUBLISHED. RELEASED FOR PUBLICATION AUG ,2006.
 © COPYRIGHT BY TYCO ELECTRONICS CORPORATION. ALL RIGHTS RESERVED.

LOC	DIST	REVISIONS					
		P	LTR	DESCRIPTION	DATE	DWN	APVD
DW		-	-	SEE SHEET 1	-	-	-

- NOTES:
- MATERIAL:
 - HOUSING: 1.PA46 WITH 40% G.F, UL94 V-0, COLOR: SEE TABLE.
2.PA9T WITH 30% GF, UL94 V-0, COLOR: SEE TABLE.
 - CONTACT: PHOSPHOR BRONZE
 - FINISH:

CONTACT: (SEE TABLE) GOLD PLATING ON CONTACT AREA.
2.54um [100u"] MIN. MATTE-TIN PALTING ON SOLDER TAIL AREA.
1.27um [50u"] MIN. NICKEL UNDERPLATING OVERALL.
 - CONNECTOR HAS MET THE REQUIREMENTS PER PCI EXPRESS GEN 2 TECHNICAL DOCUMENT.
 - WEIGHT:

36 POS.: 2.55 GRAMS; 64 POS.: 3.90 GRAMS
98 POS.: 5.50 GRAMS; 164 POS.: 8.80 GRAMS
 - WAVE SOLDER CAPABLE TO 265°C PER TEST SPEC. 109-202 CONDITION B.
 ⚠️ REFLOW SOLDER CAPABLE TO 260°C PER TEST SPEC. 109-201 CONDITION B.
 (REFLOW SOLDERING PLEASE USE PN : 1734774-1 TO 4-1734774-8)



THIS DRAWING IS A CONTROLLED DOCUMENT.		DWN	TE Connectivity		
DIMENSIONS: MM		CHK	NAME		
TOLERANCES UNLESS OTHERWISE SPECIFIED:		APVD	PCI EXPRESS CARD EDGE CONNECTOR VERTICAL, DIP TYPE, 3GIO		
0 PLC ± -		PRODUCT SPEC	SIZE	CAGE CODE	DRAWING NO
1 PLC ± 0.3		APPLICATION SPEC	A3	00779	1734774
2 PLC ± 0.2			RESTRICTED TO		
3 PLC ± 0.15		WEIGHT	G		
4 PLC ± -		SEE NOTE 4	SCALE		
ANGLES ± 3'		SEE NOTE	SHEET 2 OF 5		
MATERIAL	FINISH	CUSTOMER DRAWING	REV G		
SEE NOTE	SEE NOTE				

4

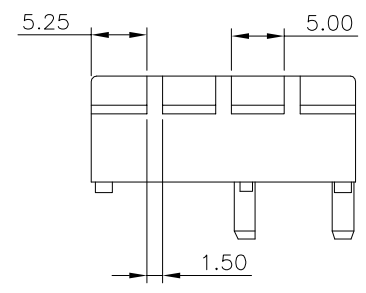
3

2

1

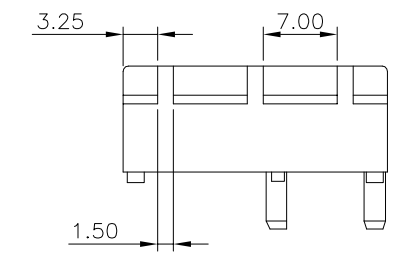
THIS DRAWING IS UNPUBLISHED. RELEASED FOR PUBLICATION AUG ,2006.
 © COPYRIGHT BY TYCO ELECTRONICS CORPORATION. ALL RIGHTS RESERVED.

LOC	DIST	REVISIONS			
P	LTR	DESCRIPTION	DATE	DWN	APVD
		SEE SHEET 1.			

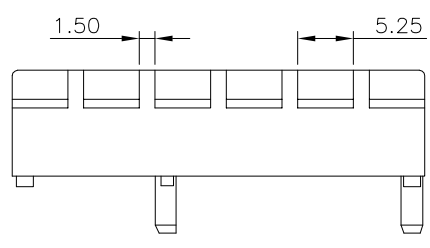


PN X-1 TO 4-X-8
(PA9T TYPE)

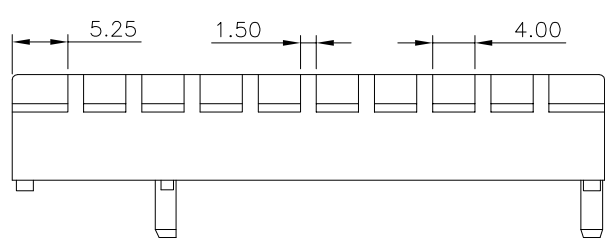
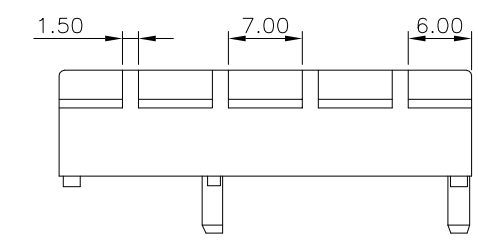
36 POS.



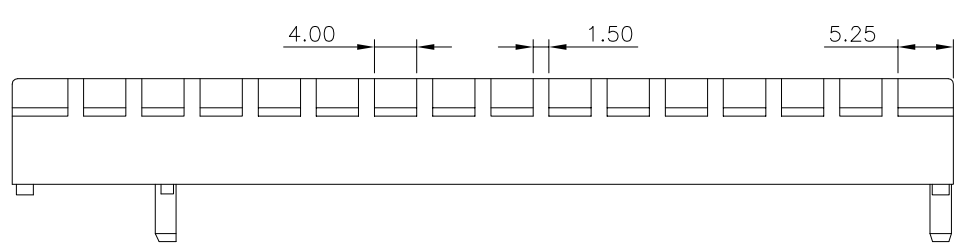
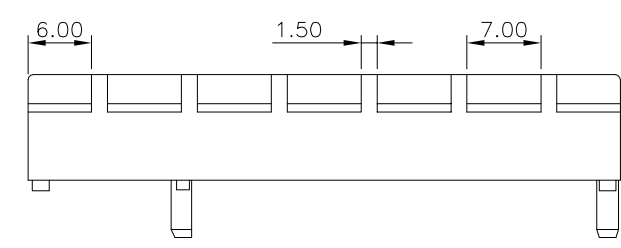
PN 5-X-0 TO 9-X-7
(PA46 TYPE)



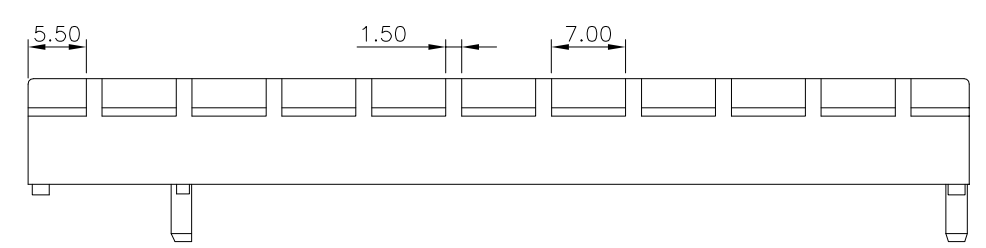
64 POS.



98 POS.



164 POS.



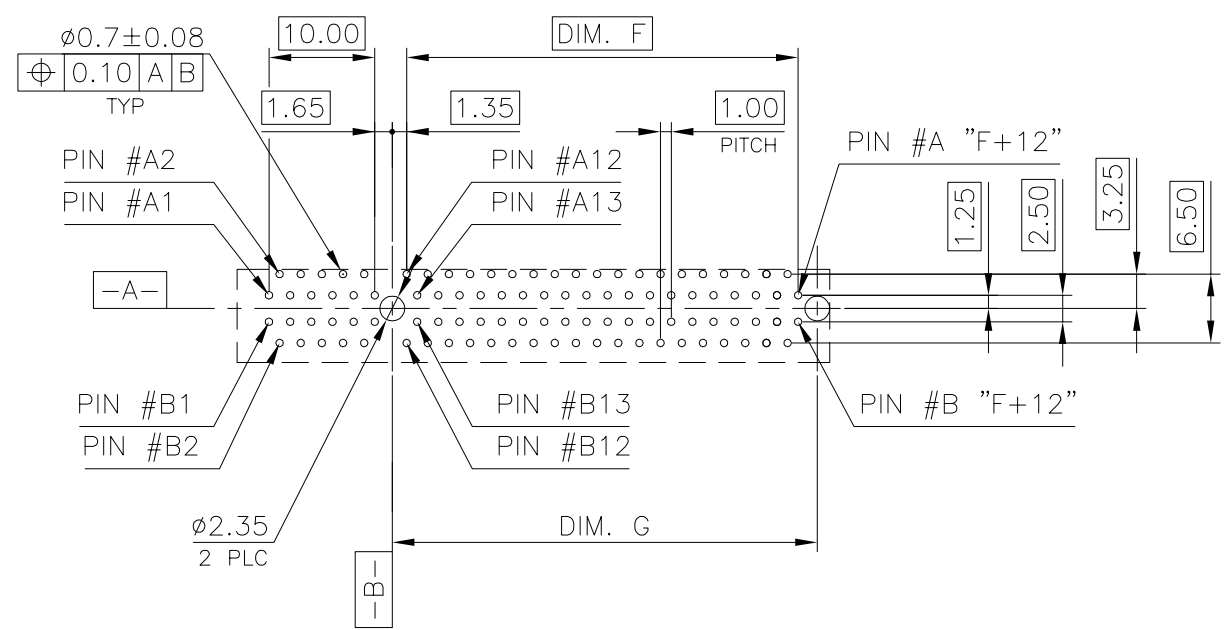
THIS DRAWING IS A CONTROLLED DOCUMENT.		DWN	TE Connectivity NAME PCI EXPRESS CARD EDGE CONNECTOR VERTICAL, DIP TYPE, 3GIO		
DIMENSIONS: MM		CHK			
TOLERANCES UNLESS OTHERWISE SPECIFIED:		APVD			
0 PLC ± - 1 PLC ± 0.25 2 PLC ± 0.25 3 PLC ± 0.25 4 PLC ± - ANGLES ± -		PRODUCT SPEC			
MATERIAL		FINISH	APPLICATION SPEC	SIZE	RESTRICTED TO
			WEIGHT	A3	
			CUSTOMER DRAWING	CAGE CODE	
				DRAWING NO	
				00779	
				1734774	
				SCALE	
				SHEET	
				3 OF 5	
				REV	
				G	

THIS DRAWING IS UNPUBLISHED. RELEASED FOR PUBLICATION AUG ,2006.
 © COPYRIGHT BY TYCO ELECTRONICS CORPORATION. ALL RIGHTS RESERVED.

LOC	DIST	REVISIONS			
P	LTR	DESCRIPTION	DATE	DWN	APVD
DW	/	SEE SHEET 1.			

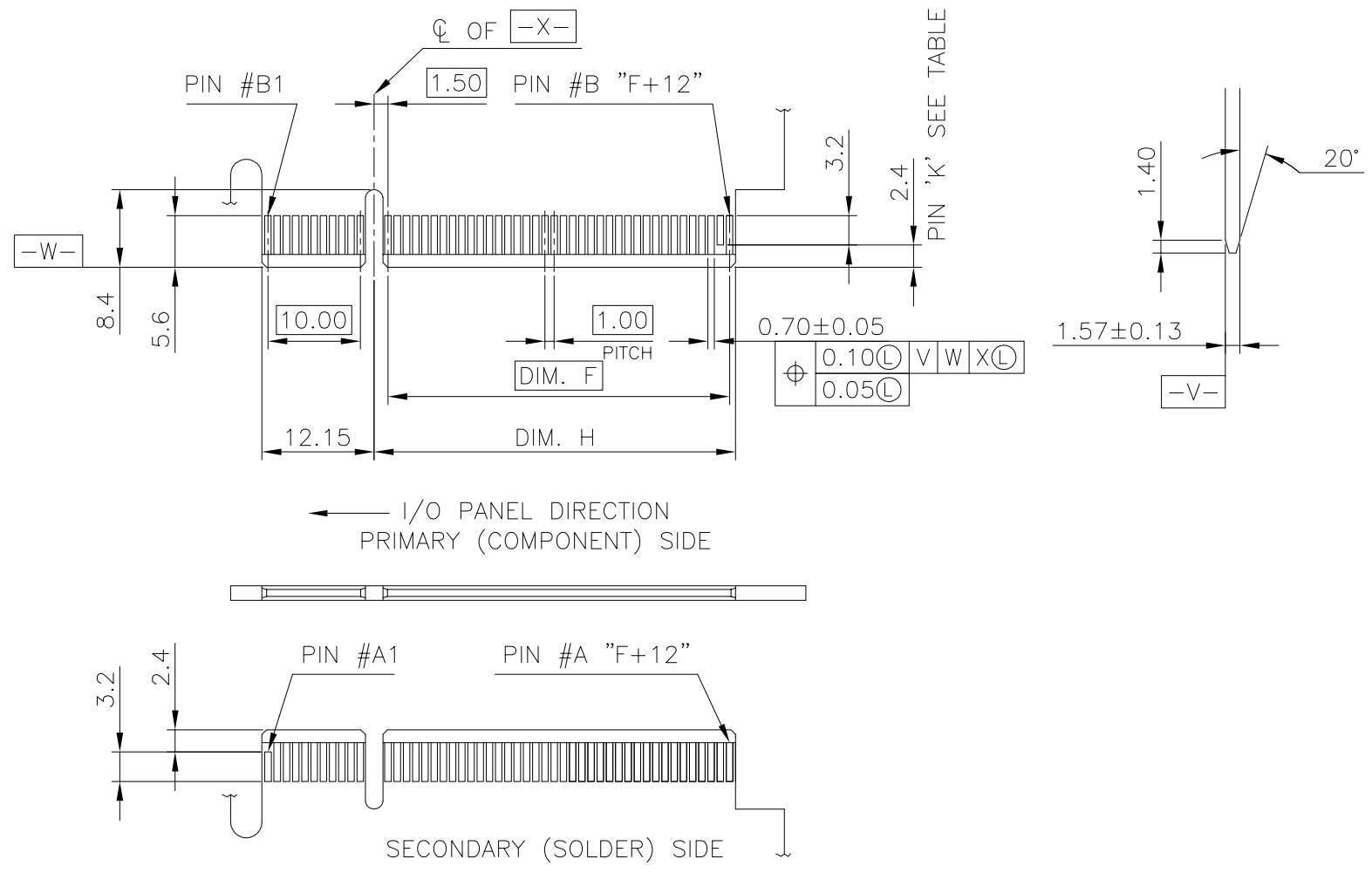
ADD-IN CARD EDGE-FINGER DIMENSIONS

NOTES:
 CHAMFER EDGE MUST BE FREE OF CUTTING BURRS



RECOMMENDED PCB LAYOUT

TOLERANCE: ±0.05
 FOR DIM.L=3.1mm PCB THICKNESS: 2.4mm
 FOR DIM.L=2.3mm PCB THICKNESS: 1.6mm

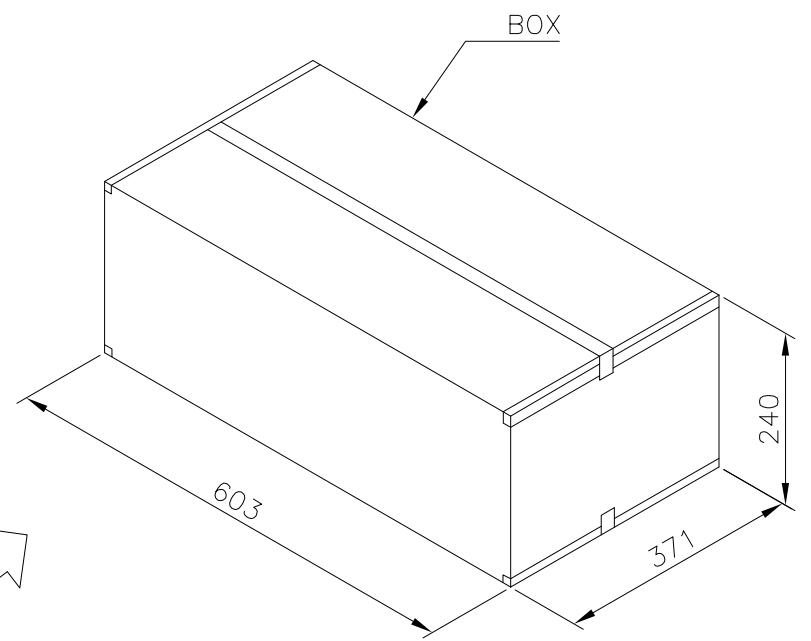
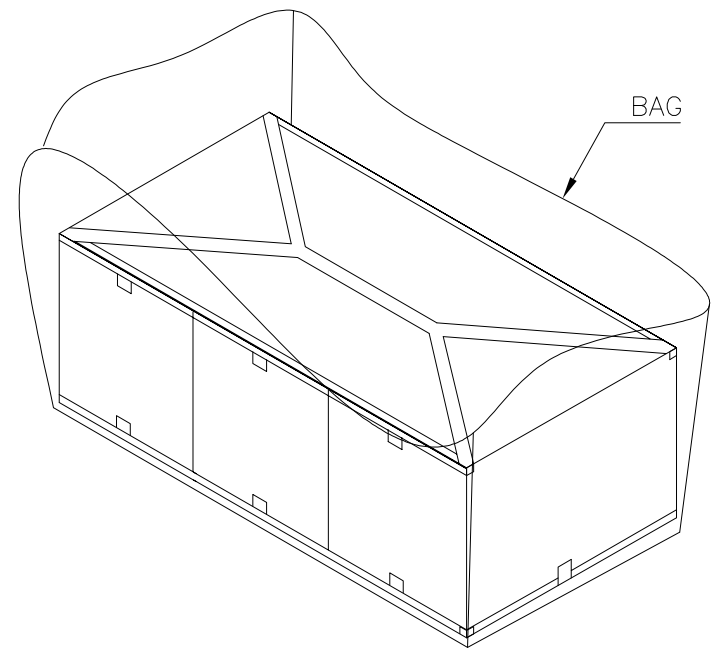
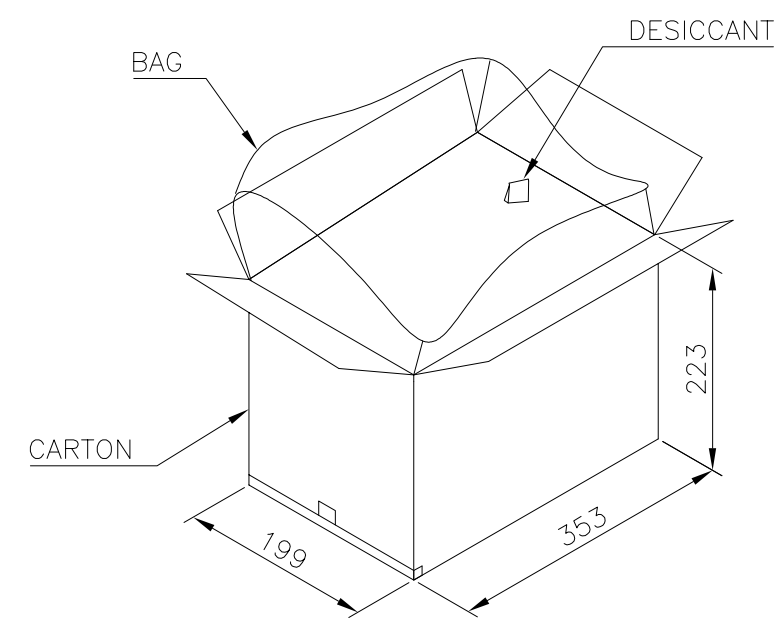
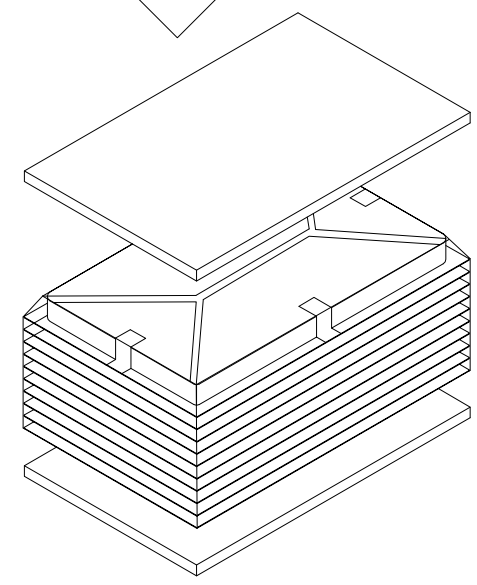
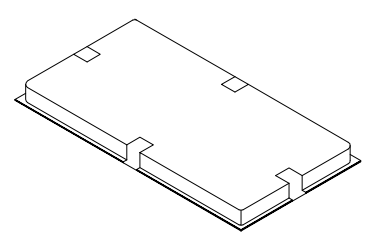
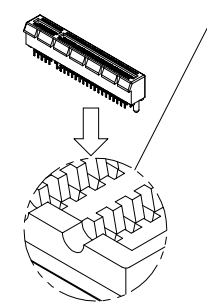
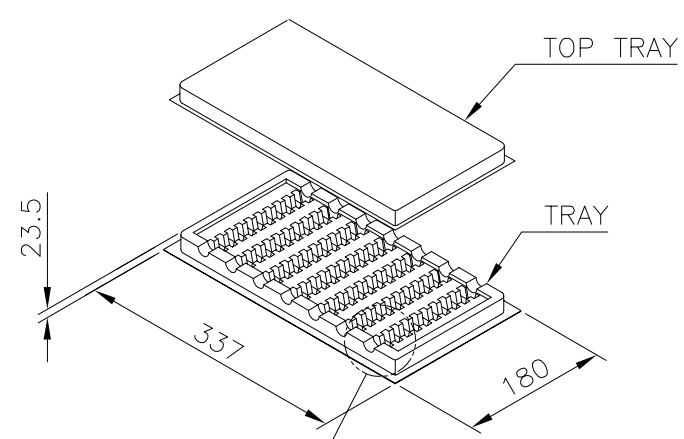


POS.	DIM. F	DIM. G	DIM. H	"K"
164	70.0	73.15	72.15	A1, B17, B31, B48, B81
98	37.0	40.15	39.15	A1, B17, B31, B48
64	20.0	23.15	22.15	A1, B17, B31
36	6.0	9.15	8.15	A1, B17

THIS DRAWING IS A CONTROLLED DOCUMENT.		DWN			
DIMENSIONS: MM		CHK			
TOLERANCES UNLESS OTHERWISE SPECIFIED:		APVD		NAME	
0 PLC ± - 1 PLC ± - 2 PLC ± - 3 PLC ± - 4 PLC ± - ANGLES ± -		PRODUCT SPEC		PCI EXPRESS CARD EDGE CONNECTOR VERTICAL, DIP TYPE, 3GIO	
MATERIAL		FINISH		SIZE CAGE CODE DRAWING NO RESTRICTED TO	
				A3 00779 C=1734774	
		WEIGHT		SCALE SHEET 4 of 5 REV G	
		CUSTOMER DRAWING			

THIS DRAWING IS UNPUBLISHED. RELEASED FOR PUBLICATION AUG ,2006.
 © COPYRIGHT BY TYCO ELECTRONICS CORPORATION. ALL RIGHTS RESERVED.

LOC	DIST	REVISIONS					
DW		P	LTR	DESCRIPTION	DATE	DWN	APVD
				SEE SHEET 1.			



- NOTES :
- MATERIAL :
 TRAY : PVC, COLOR: TRANSPARENT.
 CARTON: CORRUGATED FIBER
 BOX: CORRUGATED FIBER
 - DIMENSION :
 TRAY: SEE DRAWING
 CARTON: SEE DRAWING
 BOX : SEE DRAWING
 - QUANTITY : SEE TABLE
 - WEIGHT : SEE TABLE

10.2 Kg	8.2 Kg	30	10	3	900	164
9.0 Kg	7.0 Kg	40	10	3	1200	98
8.5 Kg	6.5 Kg	60	10	3	1800	64
7.6 Kg	5.6 Kg	70	10	3	2100	36
GROSS WEIGHT	NET WEIGHT	PCS/ TRAY	TRAY/ CARTON	CARTON/ BOX	PCS/ BOX	POS.

THIS DRAWING IS A CONTROLLED DOCUMENT.		DWN	TE Connectivity			
DIMENSIONS: MM		CHK				
TOLERANCES UNLESS OTHERWISE SPECIFIED:		APVD	NAME			
0 PLC ± -		PRODUCT SPEC	PCI EXPRESS CARD EDGE CONNECTOR VERTICAL, DIP TYPE, 3GIO			
1 PLC ± -		APPLICATION SPEC	SIZE	CAGE CODE	DRAWING NO	RESTRICTED TO
2 PLC ± -		WEIGHT	A3	00779	C=1734774	
3 PLC ± -		CUSTOMER DRAWING	SCALE	SHEET	REV	
4 PLC ± -				5 of 5	G	
ANGLES ± -						
MATERIAL						
FINISH						



Стандарт Электрон Связь

Мы молодая и активно развивающаяся компания в области поставок электронных компонентов. Мы поставляем электронные компоненты отечественного и импортного производства напрямую от производителей и с крупнейших складов мира.

Благодаря сотрудничеству с мировыми поставщиками мы осуществляем комплексные и плановые поставки широчайшего спектра электронных компонентов.

Собственная эффективная логистика и склад в обеспечивает надежную поставку продукции в точно указанные сроки по всей России.

Мы осуществляем техническую поддержку нашим клиентам и предпродажную проверку качества продукции. На все поставляемые продукты мы предоставляем гарантию .

Осуществляем поставки продукции под контролем ВП МО РФ на предприятия военно-промышленного комплекса России , а также работаем в рамках 275 ФЗ с открытием отдельных счетов в уполномоченном банке. Система менеджмента качества компании соответствует требованиям ГОСТ ISO 9001.

Минимальные сроки поставки, гибкие цены, неограниченный ассортимент и индивидуальный подход к клиентам являются основой для выстраивания долгосрочного и эффективного сотрудничества с предприятиями радиоэлектронной промышленности, предприятиями ВПК и научно-исследовательскими институтами России.

С нами вы становитесь еще успешнее!

Наши контакты:

Телефон: +7 812 627 14 35

Электронная почта: sales@st-electron.ru

Адрес: 198099, Санкт-Петербург,
Промышленная ул, дом № 19, литера Н,
помещение 100-Н Офис 331