



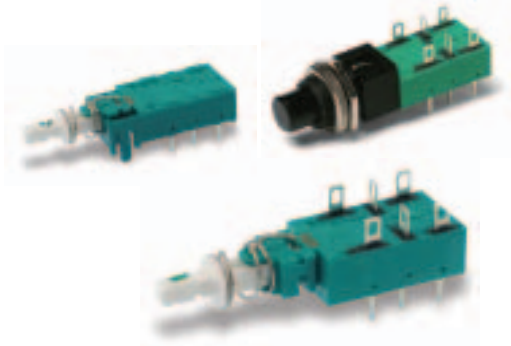
# NE-18 Series Mains / Power Switches

### Features/Benefits

- Chassis or panel mount
- Various buttons
- Various contact configurations
- RoHS compliant

### Typical Applications

- Mains/power switching
- Consumer electronics
- Audio equipment
- Digital products



### Specifications

#### POWER CONTACT:

SWITCHING POWER MAX. AC/DC: NE18: 1500/100 W, NE18CTII: 1000/100 W; AC (Inductive  $\cos \phi = 0.6$ ): NE18: 900W, NE18CTII: 600W.

SWITCHING VOLTAGE MAX. AC/DC: 250/100V

SWITCHING CURRENT MAX. AC/DC  
AC (Inductive  $\cos \phi = 0.6$ ): NE18:  $6 A^2$ /1 A, NE18CTII:  $4 A^2$ /1 A

INRUSH CURRENT MAX. AC<sup>1</sup>): NE18: 36 A, NE18CTII: 64 A

DIELECTRIC STRENGTH (50 Hz, 1 min.): 2000 V

OPERATING LIFE AT MAX. LOAD AND AT MAX. INRUSH CURRENT:  $\sim 10^4$  operations<sup>5</sup>)

CONTACT RESISTANCE: Initial: 50m $\Omega$ ; After  $10^4$  operations: 70m $\Omega$ .

INSULATION RESISTANCE:  $\sim 10^{12}$   $\Omega$ chassis – nearest contact;  $\sim 10^{12}$   $\Omega$ mains contact – mains contact;  $\sim 10^{12}$   $\Omega$ mains contact – mains contact after  $10^4$  operations.

#### LOW VOLTAGE CONTACT:

SWITCHING POWER MAX.: 12W

SWITCHING VOLTAGE MAX.: 24V

SWITCHING CURRENT MAX.: 0.5A

TOTAL TRAVEL: 4.7mm (.185 inch)

LATCHING TRAVEL: 3.3mm (.130 inch)

OPERATING FORCE: Without auxiliary low voltage contacts:

NE18: 7N (700 grams); NE18CTII: 9.5N (950 grams).

With auxiliary low voltage contacts: NE18: 8N (800 grams);

NE18CTII: 11N (1100 grams).

SEALING: Dust proof.

### Materials

HOUSING, ACTUATOR & TERMINAL BOARD: Thermoplastic polyester (UL 94V-0).

MOVABLE CONTACT: Silver nickel alloy, silver plated.

FIXED CONTACTS: Silver nickel alloy, silver plated.

COMMON CONTACTS & TERMINALS: Copper alloy, silver plated.

RETURN SPRING: Music wire.

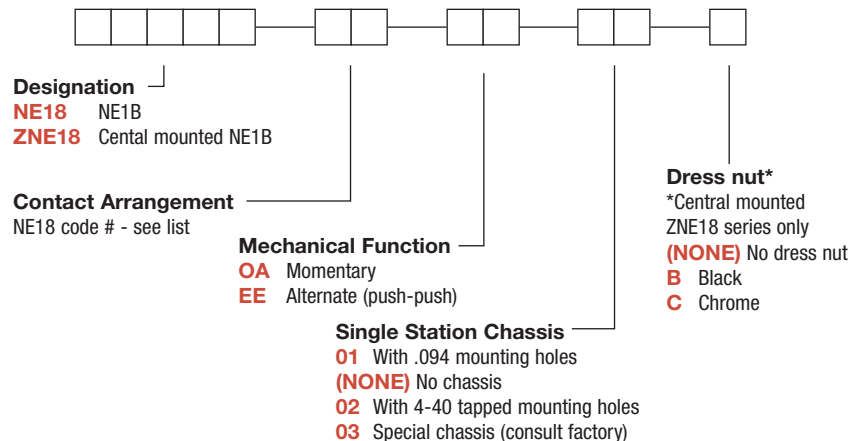
**NOTE:** All models are RoHS compliant and compatible.

**NOTE:** Specifications and materials listed above are for switches with standard options. For information on specific and custom switches, consult Customer Service Center.

### Build-A-Switch

To order, simply select desired option from each category and place in the appropriate box. Available options are shown and described on pages A-99 thru A-106. For additional options not shown in catalog, consult Customer Service Center.

If requesting only a switch, select the switch as noted below. Buttons are sold separately.



# NE-18 Series Mains / Power Switches



A

Pushbutton

## Order Code - Buttons

### Solid Buttons



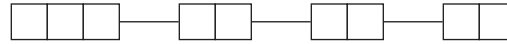
#### Style

- F01** FMR
- F02** FG\*
- F12** FSC
- F13** FSD
- F14** FU12
- F15** FSB
- F16** FE
- F19** FA
- F21** F001

#### Button Color

- 01** Black
- 02** White
- 03** Red
- 04** Light gray

### Mechanical Indicator Buttons



#### Style

- F01** FA100
- F02** FA101
- F07** FA120
- F08** FA201
- F11** FA200\*

#### Shell Color

- 01** Black

#### Out Position Color

- 01** Black

#### In Position Color

- 02** White
- 06** Yellow
- 07** Blue
- 08** Green
- 12** Orange

\*Button options for central mounting configurations, use 'FG' for central mount with chrome dress nut, use 'FA200' for central mount with black dress nut.

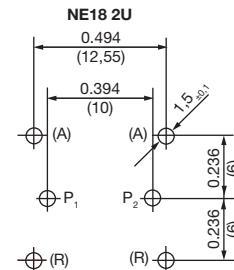
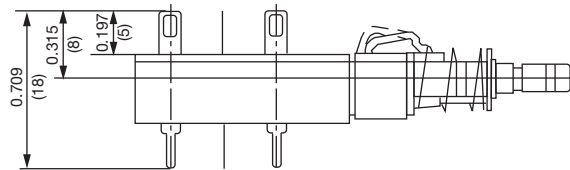
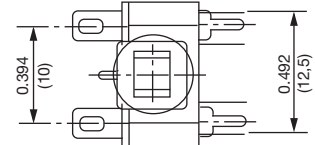
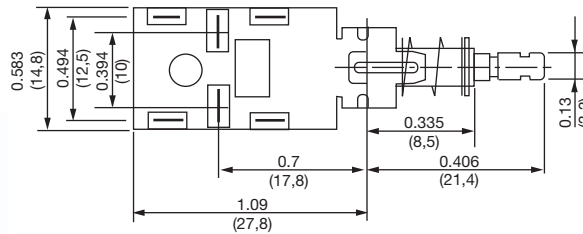
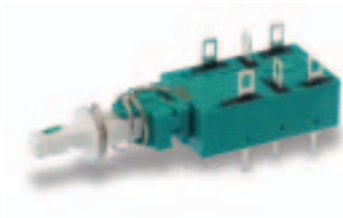
## BUTTON REMOVAL

A button of a push-push switch should only be removed in the "OFF" non-latching position.

## DESIGNATION & SWITCHES WITH STANDARD OPTIONS



### NE1838EE



Dimensions are shown: Inches (mm)  
Specifications and dimensions subject to change



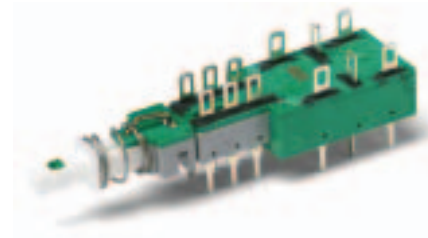
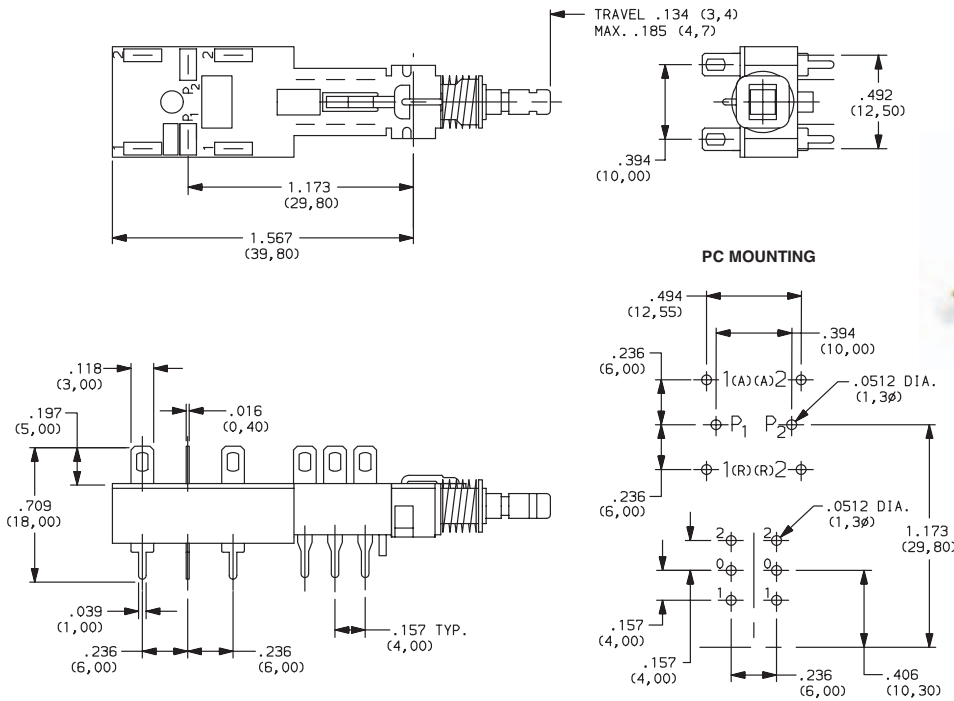
# NE-18 Series Mains / Power Switches

## DESIGNATION & SWITCHES WITH STANDARD OPTIONS

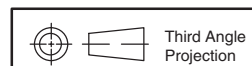
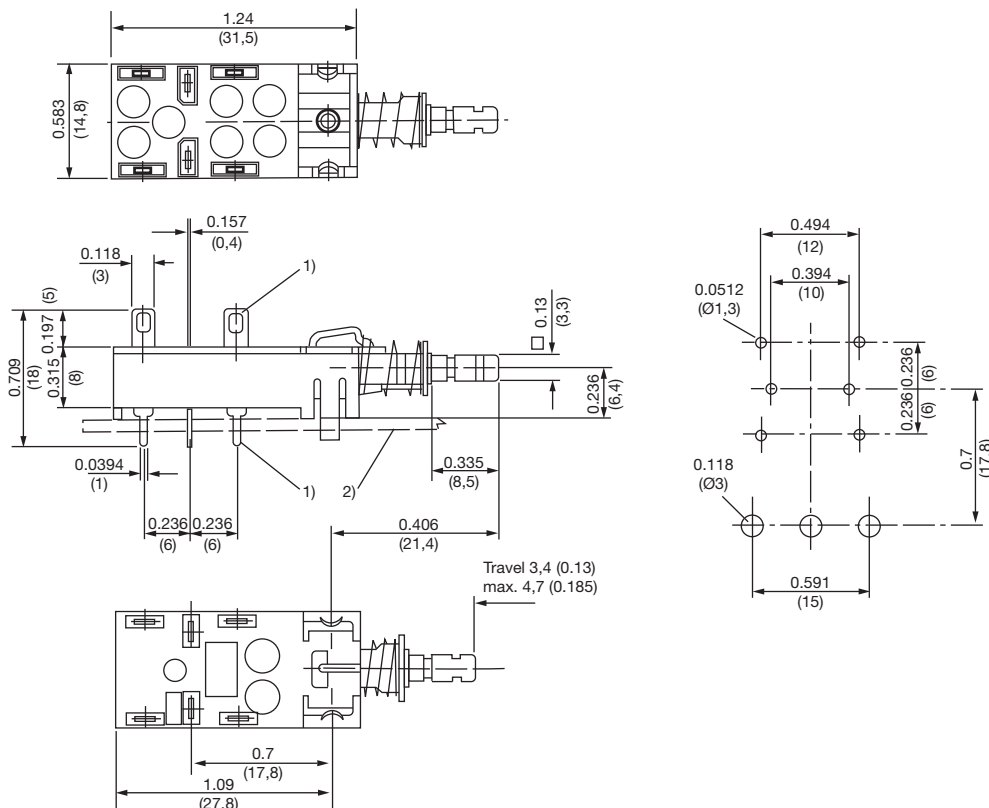


Pushbutton  
A

### NE1839EE



### NE1848EE



Dimensions are shown: Inches (mm)  
Specifications and dimensions subject to change







# NE-18 Series Mains / Power Switches

Pushbutton  
A

## CONTACT ARRANGEMENT



| OPTION CODE<br>Contact capacity<br>and availability | STYLE           | ELECTRICAL<br>CIRCUIT |
|---|-----------------|-----------------------|
| <b>37</b>   | NE18 – 2AX      | DPST                  |
| <b>38</b>   | NE18 – 2UX      | DPDT                  |
| <b>51</b>   | 2U + NE18 – 2AX | DPST*                 |
| <b>52 (4A/64)</b>                                   | NE18CTII – 2AX  | DPST                  |
| <b>39</b>   | 2U + NE18 – 2UX | DPDT*                 |
| <b>41</b>   | NE18 – 2AP      | DPST                  |
| <b>42</b>   | NE18 – 2UP      | DPDT                  |
| <b>43</b>   | NE18 – 2AW      | DPST                  |
| <b>44</b>   | NE18 – 2UW      | DPDT                  |
| <b>45</b>   | NE18 – 2ASX     | DPST                  |

| OPTION CODE<br>Contact capacity<br>and availability | STYLE               | ELECTRICAL<br>CIRCUIT |
|---|---------------------|-----------------------|
| <b>46</b>   | NE18 – 2USX         | DPDT                  |
| <b>47</b>   | NE18 – 2ASP         | DPST                  |
| <b>48</b>   | NE18 – 2USP         | DPDT                  |
| <b>49</b>   | NE18 – 2ASW         | DPST                  |
| <b>50</b>   | NE18 – 2USW         | DPDT                  |
| <b>53 (4A/64)</b>                                   | 2U + NE18CTII – 2AX | DPST                  |
| <b>54</b>   | 2U + NE18 – 2AW     | DPST                  |
| <b>55</b>   | 2U + NE18 – 2AP     | DPST                  |
| <b>56</b>   | 2U + NE18 – 2UW     | DPDT                  |
| <b>57</b>   | 2U + NE18 – 2UP     | DPDT                  |

\* 2U + Denotes auxiliary set of low current contacts DPDT  
 2A = DPST  
 2U = DPDT  
 S = Snap-in mounting  
 X = Solder lug/PC pins  
 W = Solder lugs only  
 P = PC pins only

NOTES  
 1. Contact plating is silver on all Power Switches.  
 2. The electrical function is Break Before Make (BBM) on all Power Switches.  
 3. The terminals will be epoxy sealed.

| TYPE     | POSSIBLE CONTACT ARRANGEMENT |                    | CONTACT SPACING          | PROTECTION CLASS<br>(CEE 24) | APPROVALS |
|----------|------------------------------|--------------------|--------------------------|------------------------------|-----------|
|          | POWER CONTACTS <sup>1</sup>  | AUXILIARY CONTACTS |                          |                              |           |
| NE18     | 2A <sup>2</sup>              | 2U                 | > 3mm<br>(.118 inch)     | II                           | VDE, UL   |
| NE18     | 2A <sup>2</sup><br>2U        | 2U                 | > 3mm (m)<br>(.118 inch) | I                            | VDE, UL   |
| NE18CTII | 2A <sup>2</sup>              | 2U                 | > 3mm<br>(.118 inch)     | II                           | VDE, UL   |

1) A = make contact, R = break contact, U = changeover contact, m = VDE sign for switches with a contact spacing (air gap) < 3mm (.118 inch) according to VDE 0630/CEE 24.  
 2) With 2A mains contacts: Mounting only by PC pins is not sufficient.  
 3) BSI only for 2U mains contacts.

## MECHANICAL FUNCTION



| OPTION CODE | FUNCTION              |
|-------------|-----------------------|
| <b>OA</b>   | Momentary             |
| <b>EE</b>   | Alternate (push-push) |



Dimensions are shown: Inches (mm)  
 Specifications and dimensions subject to change

# NE-18 Series Mains / Power Switches



A

Pushbutton

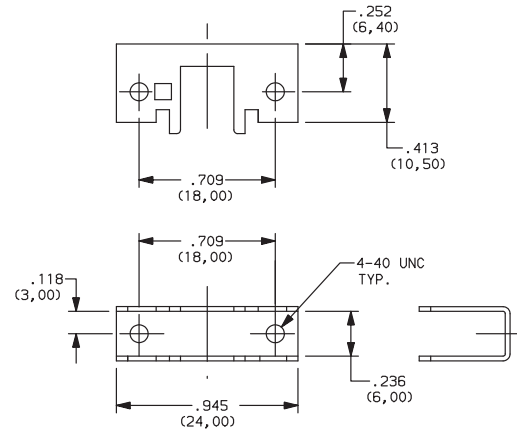
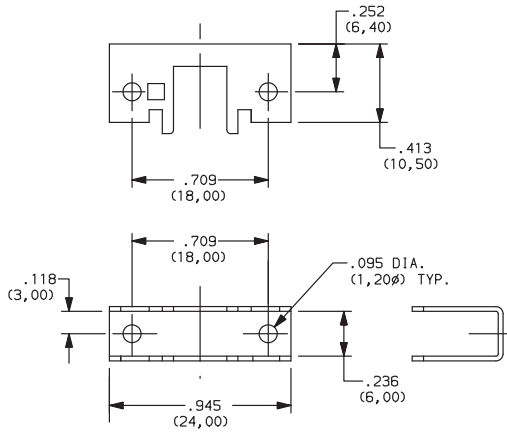
## SINGLE STATION CHASSIS



**01** WITH .094 MOUNTING HOLES

**(NONE)** NO CHASSIS

**02** WITH 4-40 TAPPED MOUNTING HOLES



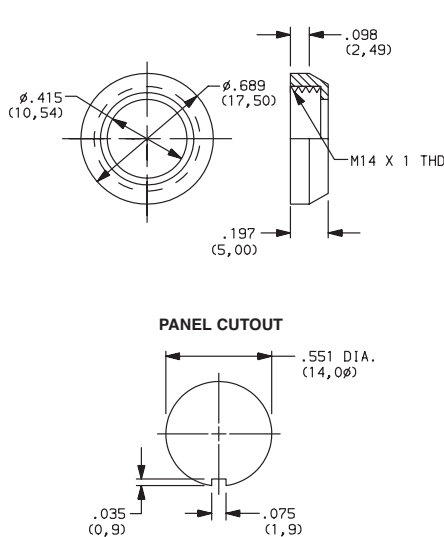
**03** SPECIAL CHASSIS (CONSULT FACTORY)

## DRESS NUT



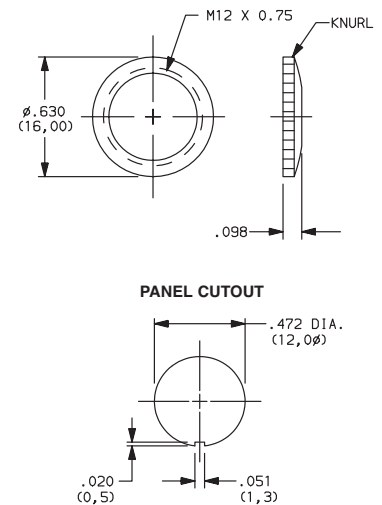
**(NONE)** NO DRESS NUT

**B** BLACK



**NOTE:** Available with ZNE18 designation and FA200 buttons.

**C** CHROME



**NOTE:** Available with ZNE18 designation and FG button.



Dimensions are shown: Inches (mm)  
Specifications and dimensions subject to change



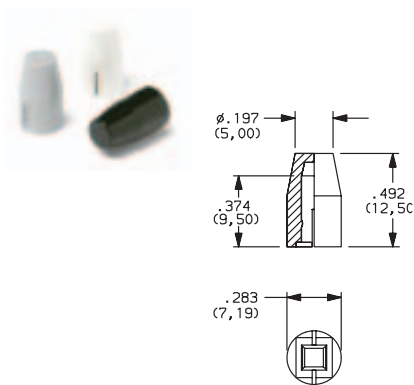
# NE-18 Series Mains / Power Switches

## SOLID BUTTON

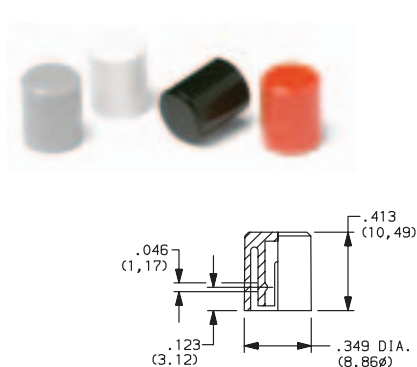
Pushbutton  
A

### STYLE

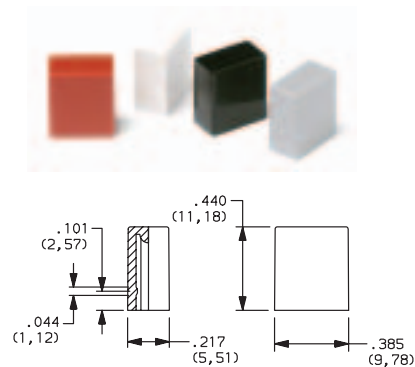
**F01** FMR



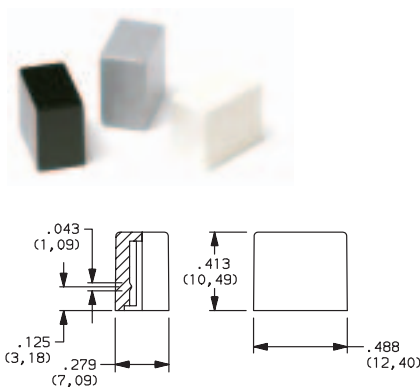
**F02** FG



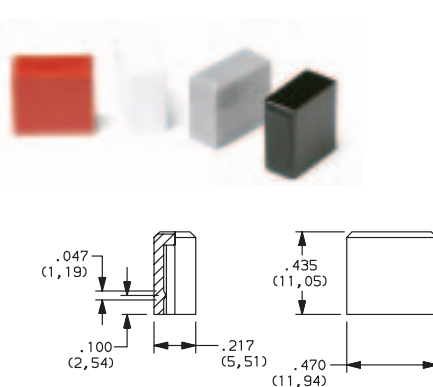
**F12** FSC



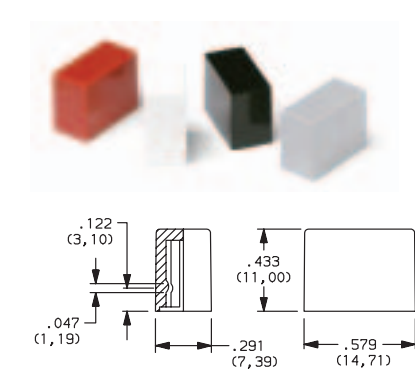
**F13** FSD



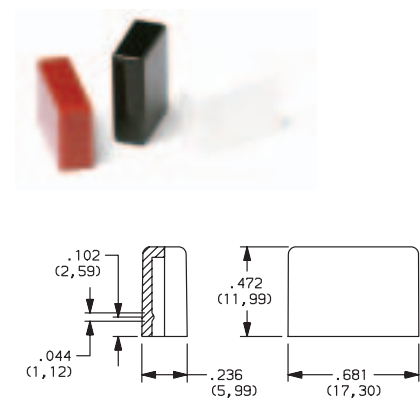
**F14** FU12



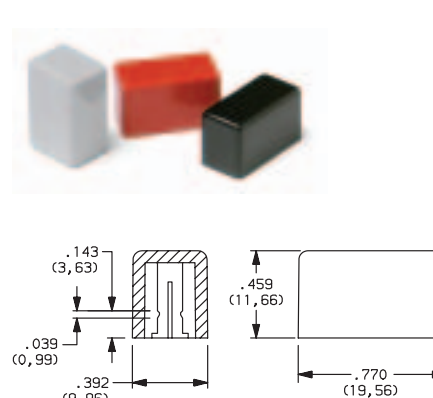
**F15** FSB



**F16** FE



**F19** FA



| OPTION CODE | COLOR    |
|-------------|----------|
| <b>01</b>   | BLACK    |
| <b>02</b>   | WHITE    |
| <b>03</b>   | RED      |
| <b>04</b>   | LT. GRAY |



Third Angle  
Projection

Dimensions are shown: Inches (mm)  
Specifications and dimensions subject to change



# NE-18 Series Mains / Power Switches



A

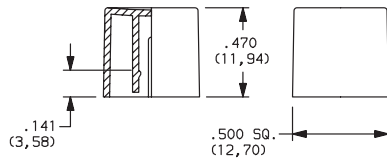
Pushbutton

## SOLID BUTTON



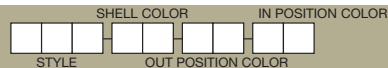
### STYLE

**F21** F001



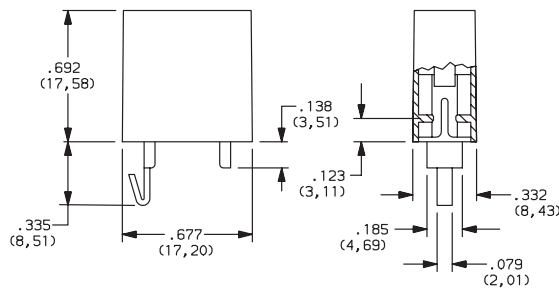
| OPTION CODE | COLOR   |
|-------------|---|
| <b>01</b>   | BLACK   |
| <b>02</b>   | WHITE   |
| <b>03</b>   | RED   |
| <b>04</b>   | LT. GRAY                                      |
| <b>09</b>   | BLACK/CHROME<br>(F03, F06 & F07 buttons only) |

## MECHANICAL BUTTON

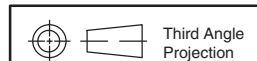
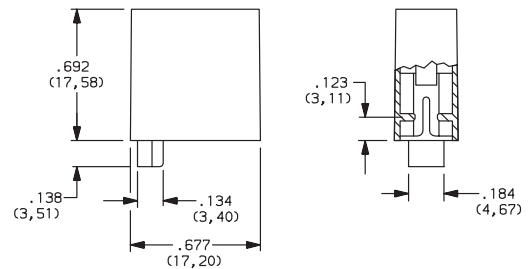


### STYLE

**F01** FA100



**F02** FA101



Dimensions are shown: Inches (mm)  
Specifications and dimensions subject to change

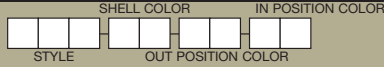




# NE-18 Series Mains / Power Switches

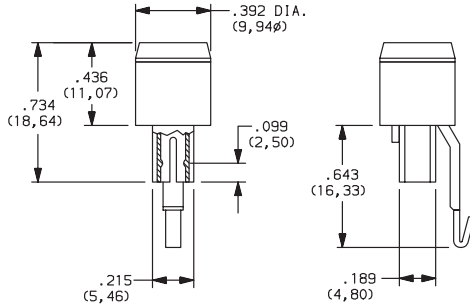
Pushbutton  
A

## MECHANICAL BUTTON

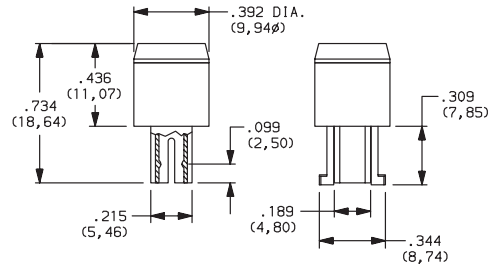


### STYLE

**F08** FA201



**F11** FA200



### SHELL COLOR

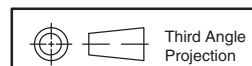
**01** BLACK

### OUT POSITION COLOR

**01** BLACK

### IN POSITION COLOR

| OPTION CODE | COLOR  |
|-------------|--------|
| <b>02</b>   | WHITE  |
| <b>06</b>   | YELLOW |
| <b>07</b>   | BLUE   |
| <b>08</b>   | GREEN  |
| <b>12</b>   | ORANGE |



Dimensions are shown: Inches (mm)  
Specifications and dimensions subject to change



## Стандарт Электрон Связь

Мы молодая и активно развивающаяся компания в области поставок электронных компонентов. Мы поставляем электронные компоненты отечественного и импортного производства напрямую от производителей и с крупнейших складов мира.

Благодаря сотрудничеству с мировыми поставщиками мы осуществляем комплексные и плановые поставки широчайшего спектра электронных компонентов.

Собственная эффективная логистика и склад в обеспечивает надежную поставку продукции в точно указанные сроки по всей России.

Мы осуществляем техническую поддержку нашим клиентам и предпродажную проверку качества продукции. На все поставляемые продукты мы предоставляем гарантию .

Осуществляем поставки продукции под контролем ВП МО РФ на предприятия военно-промышленного комплекса России , а также работаем в рамках 275 ФЗ с открытием отдельных счетов в уполномоченном банке. Система менеджмента качества компании соответствует требованиям ГОСТ ISO 9001.

Минимальные сроки поставки, гибкие цены, неограниченный ассортимент и индивидуальный подход к клиентам являются основой для выстраивания долгосрочного и эффективного сотрудничества с предприятиями радиоэлектронной промышленности, предприятиями ВПК и научно-исследовательскими институтами России.

С нами вы становитесь еще успешнее!

### Наши контакты:

**Телефон:** +7 812 627 14 35

**Электронная почта:** [sales@st-electron.ru](mailto:sales@st-electron.ru)

**Адрес:** 198099, Санкт-Петербург,  
Промышленная ул, дом № 19, литера Н,  
помещение 100-Н Офис 331