

32-Channel Vacuum-Fluorescent Display Driver

Features

- ▶ 32 output lines
- ▶ 90V output swing
- ▶ Active pull-down
- ▶ Latches on all outputs
- ▶ Up to 6MHz @ $V_{DD} = 5.0V$
- ▶ $-40^{\circ}C$ to $+85^{\circ}C$ operation

Applications

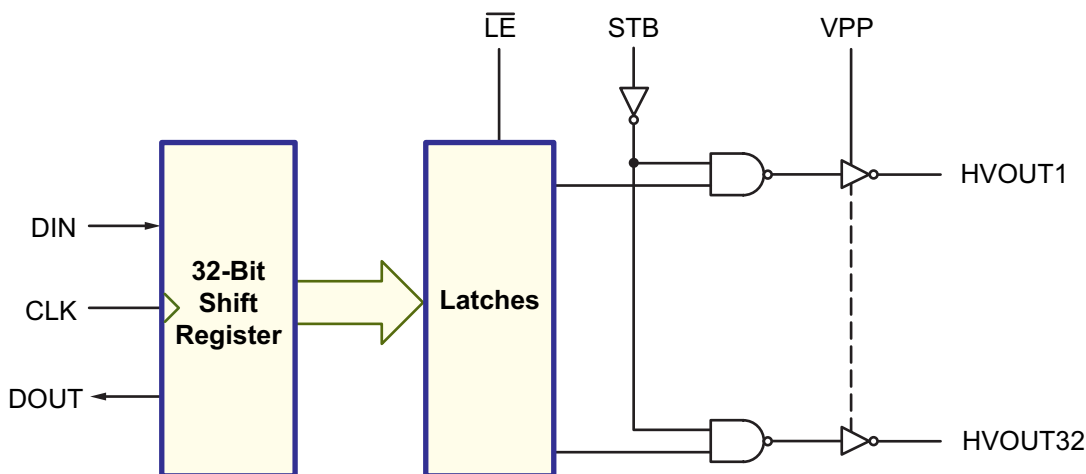
- ▶ Vacuum fluorescent displays
- ▶ DC plasma displays

General Description

The HV518 is designed for vacuum fluorescent or DC plasma applications, where it can serve as a segment, digit or matrix display driver. Each device has 32 outputs, 32 latches and a 32-bit cascadable shift register.

Serial data enters the shift register on the LOW-to-HIGH transition of the clock input. With latch enable (\overline{LE}) HIGH, parallel data is transferred to the output buffers through a 32-bit latch. When \overline{LE} is low the data is stored in the latch. When STROBE is LOW, all outputs are enabled; if STROBE is HIGH, all outputs are LOW.

Block Diagram



Ordering Information

Device	Package Options	
	40-Lead PDIP	44-Lead PLCC
HV518	HV518P-G	HV518PJ-G

-G indicates package is RoHS compliant ("Green")



Absolute Maximum Ratings

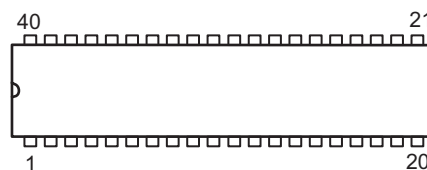
Parameter	Value
Supply voltage, V_{DD}	-0.5V to +6.0V
Supply voltage, V_{PP}	-0.5V to +90V
Logic input levels	-0.5V to $V_{DD}+0.5V$
Continuous total power dissipation ^(1,2)	1200mW
Operating temperature	-40°C to +85°C
Storage temperature	-65°C to +150°C
Soldering temperature ⁽³⁾	260°C

Absolute Maximum Ratings are those values beyond which damage to the device may occur. Functional operation under these conditions is not implied. Continuous operation of the device at the absolute rating level may affect device reliability. All voltages are referenced to GND.

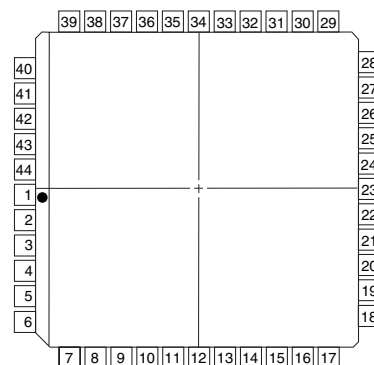
Notes:

- (1) Duty cycle is limited by the total power dissipated in the package.
- (2) For operation above 25°C ambient, derate linearly to 85°C at 20mW/°C.
- (3) Distance of 1.6mm from case for 10 seconds.

Pin Configurations



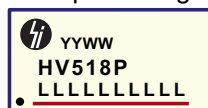
40-Lead PDIP (P)
(top view)



44-Lead PLCC (PJ)
(top view)

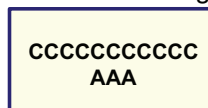
Product Markings

Top Marking



Y = Last Digit of Year Sealed
 WW = Week Sealed
 L = Lot Number
 C = Country of Origin*
 A = Assembler ID*
 — = "Green" Packaging

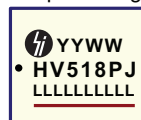
Bottom Marking



*May be part of top marking

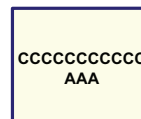
40-Lead PDIP (P)

Top Marking



YY = Year Sealed
 WW = Week Sealed
 L = Lot Number
 C = Country of Origin*
 A = Assembler ID*
 — = "Green" Packaging

Bottom Marking



*May be part of top marking

44-Lead PLCC (PJ)

Recommended Operating Conditions ($T_A = 25^\circ\text{C}$, unless otherwise noted)

Sym	Parameter	Min	Max	Unit	Conditions
V_{DD}	Logic supply voltage	4.5	5.5	V	---
V_{PP}	High voltage supply	8.0	80	V	---
V_{IH}	High-level input voltage	3.5	-	V	$V_{DD} = 4.5\text{V}$, See Figure 3
V_{IL}	Low-level input voltage	-	1.0	V	$V_{DD} = 4.5\text{V}$, See Figure 3
I_{OH}	High-level output current	-25	-	mA	---
I_{OL}	Low-level output current	-	2.0	mA	---
f_{CLK}	Clock frequency	-	6.0	MHz	$V_{DD} = 4.5\text{V}$, See Figure 3
$t_{w(CKH)}$	Pulse duration, clock high	83	-	ns	$V_{DD} = 4.5\text{V}$
$t_{w(CKL)}$	Pulse duration, clock low	83	-	ns	$V_{DD} = 4.5\text{V}$
t_{su}	Setup time, data before clock	75	-	ns	$V_{DD} = 4.5\text{V}$
t_h	Hold time, data after clock	75	-	ns	$V_{DD} = 4.5\text{V}$
T_A	Operating free-air temperature	-40	85	$^\circ\text{C}$	---

Electrical Characteristics

(over recommended ranges of operating free-air temperature and V_{DD} . Unless otherwise noted, $V_{PP} = 80\text{V}$)

Sym	Parameter	Min	Typ	Max	Units	Conditions
I_{DD}	Supply current	-	-	10	mA	$V_{DD} = 5.0\text{V}$, $f_{CH} = 6.0\text{ MHz}$
I_{DDQ}	Quiescent supply current	-	-	0.5	mA	$V_{DD} = 5.5\text{V}$, $V_{IN} = 0\text{V}$
I_{PPQ}	Quiescent supply current	-	-	100	μA	---
V_{OH}	HV _{IN} operating current	HV output	70	-	-	V $I_{OH} = -25\text{mA}$ $V_{DD} = 5.0\text{V}$, $I_{OH} = -20\mu\text{A}$
		Serial output	4.5	4.9	5.0	
V_{OL}	LV _{IN} operating current	HV output	-	-	5.0	V $I_{OL} = 1.0\text{mA}$ $I_{OL} = 20\mu\text{A}$
		Serial output	-	0.06	0.8	
I_{IH}	Logic input current high	-	0.1	1.0	μA	$V_{IH} = V_{DD}$
I_{IL}	Logic input current low	-	-0.1	-1.0	μA	$V_{IL} = 0\text{V}$

Note: The total number of ON outputs times the duty cycle must not exceed the allowable package power dissipation.

Switching Characteristics ($V_{PP} = 80\text{V}$, $C_L = 50\text{pF}$, $T_A = 25^\circ\text{C}$, unless otherwise noted)

Sym	Parameter	Max	Unit	Conditions
t_d	Delay time, clock to data output	600	ns	$V_{DD} = 4.5\text{V}$, $C_L = 15\text{pF}$, See Figure 1
t_{DHL}	Turn-on time when high voltage is enabled	from latch enable	1.5	μs $V_{DD} = 4.5\text{V}$, See Figure 2
		from strobe	1.0	
t_{DLH}	Delay time, high-to-low-level, HV output	from latch enable	1.5	μs $V_{DD} = 4.5\text{V}$, See Figure 2
		from strobe	1.0	
t_{THL}	Transition time, high-to-low-level, HV output	3.0	μs	$V_{DD} = 4.5\text{V}$, See Figure 3
t_{TLH}	Transition time, low-to-high-level, HV output	2.5	μs	$V_{DD} = 4.5\text{V}$, See Figure 3

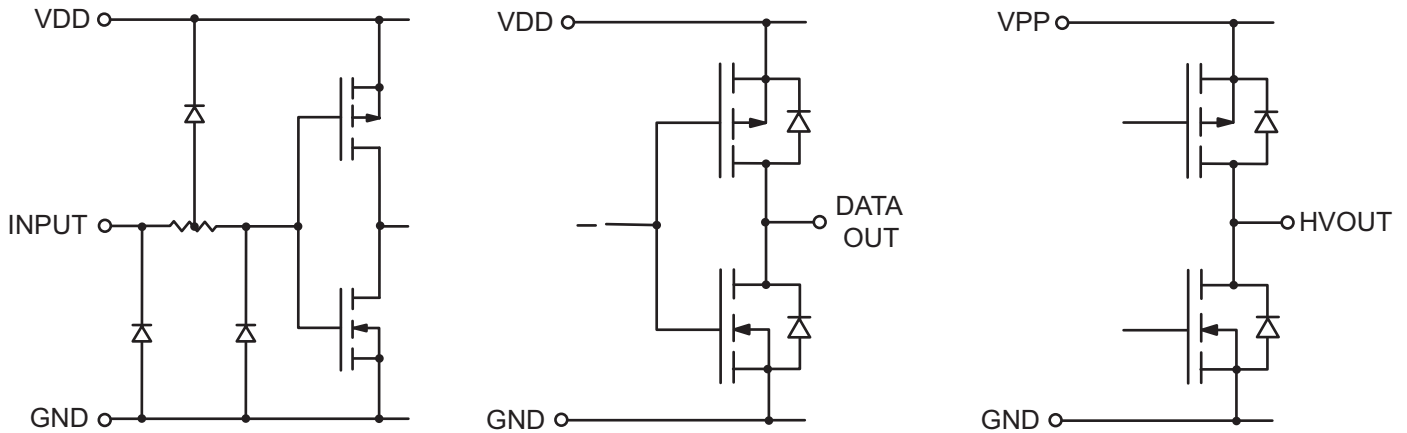
Power-Up/ Power-Down Sequences

Power-up sequence should be the following:

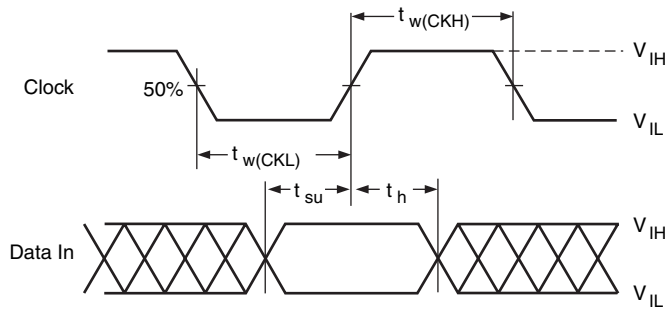
1. Connect ground.
2. Apply V_{DD} .
3. Set all inputs (Data, CLK, Enable, etc.) to a known state.
4. Apply V_{PP} .
5. The V_{PP} should not drop below V_{DD} or float during operation.

Power-down sequence should be the reverse of the above.

Input and Output Equivalent Circuits



Parameter Measurement Information



Input Timing Voltage Waveforms

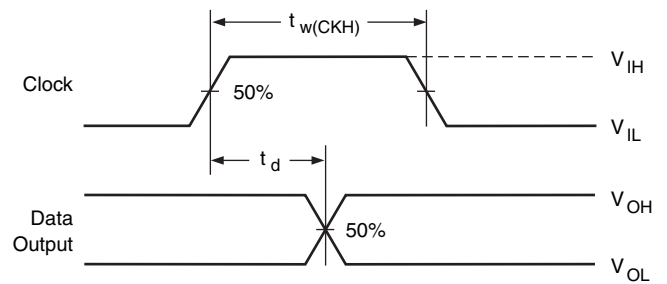


Figure 1

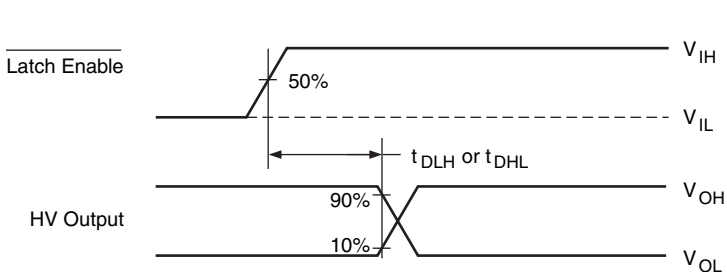


Figure 2

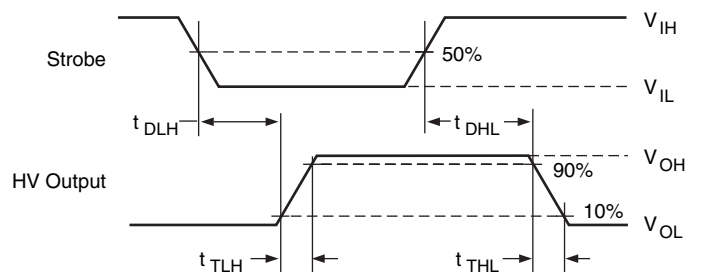


Figure 3: Input Timing Voltage Waveforms

Note: For testing purposes, all input pulses have maximum rise and fall times of 30 nsec.

Truth Tables

Input

Data In	CLK	Data Out
H		H
L		L
X	No Change	*

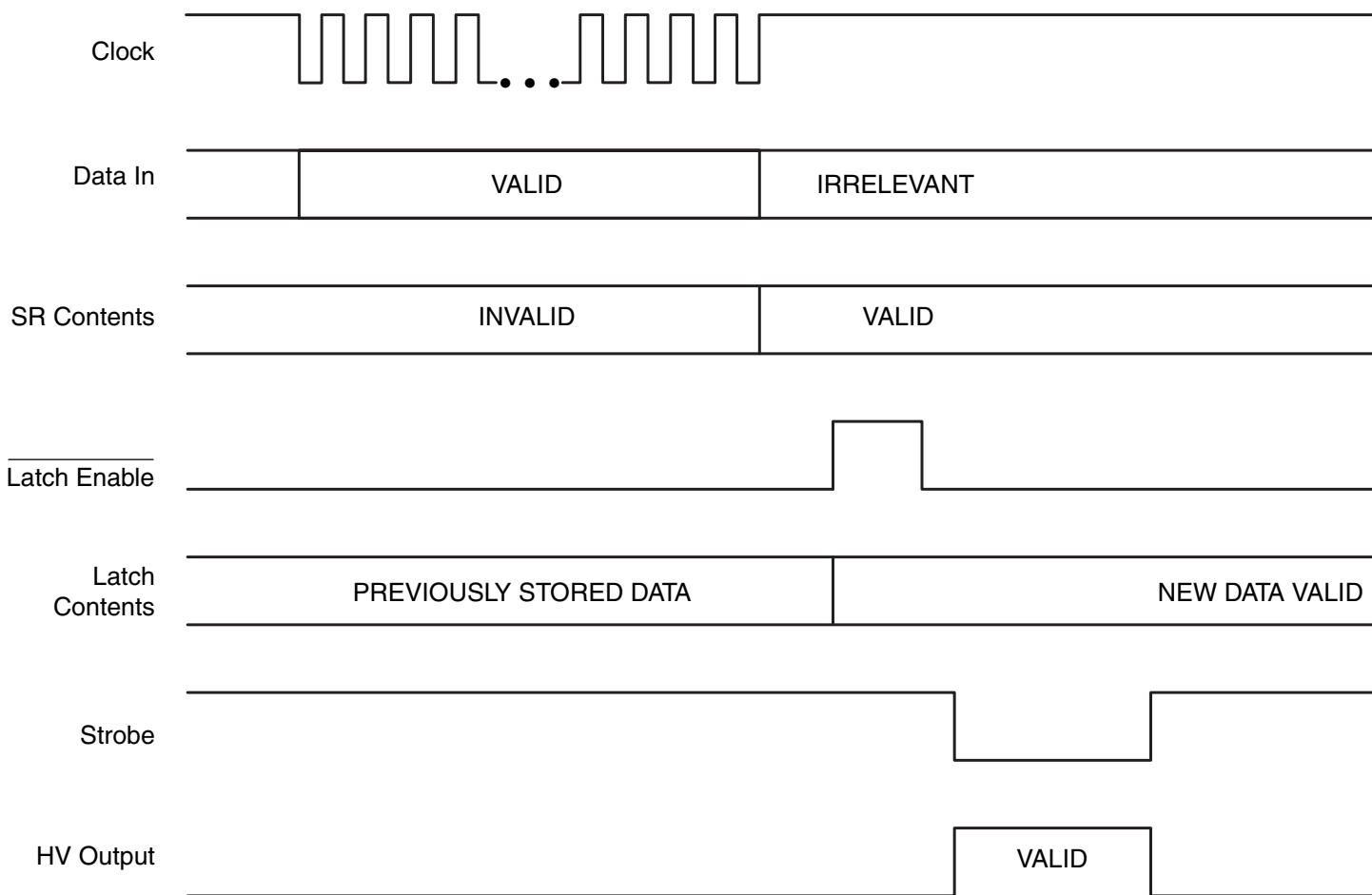
* Previous state.

Output

Data In	\overline{LE}	STB	HV Outputs
X	X	H	All Low
H	H	L	High
L	H	L	Low
X	L	L	*

* Previous state.

Typical Operating Sequence



Pin Descriptions

40-Lead PDIP (P)

Pin	Function
1	VPP
2	Serial Out
3	HVOUT32
4	HVOUT31
5	HVOUT30
6	HVOUT29
7	HVOUT28
8	HVOUT27
9	HVOUT26
10	HVOUT25
11	HVOUT24
12	HVOUT23
13	HVOUT22
14	HVOUT21

Pin	Function
15	HVOUT20
16	HVOUT19
17	HVOUT18
18	HVOUT17
19	Strobe
20	GND
21	Clock
22	$\overline{\text{LE}}$
23	HVOUT16
24	HVOUT15
25	HVOUT14
26	HVOUT13
27	HVOUT12
28	HVOUT11

Pin	Function
29	HVOUT10
30	HVOUT9
31	HVOUT8
32	HVOUT7
33	HVOUT6
34	HVOUT5
35	HVOUT4
36	HVOUT3
37	HVOUT2
38	HVOUT1
39	Data In
40	VDD

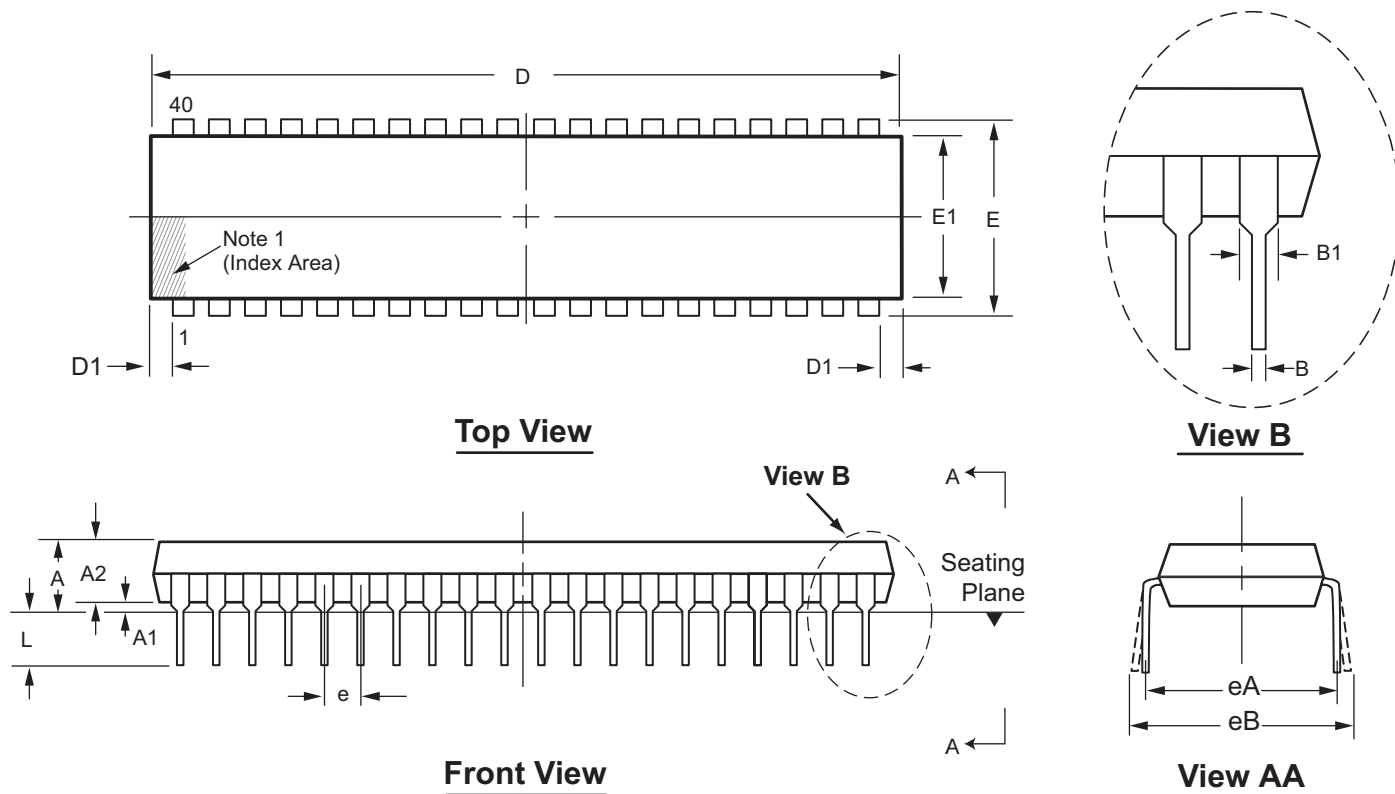
44-Lead PLCC (PJ)

Pin	Function
1	VPP
2	Serial Out
3	HVOUT32
4	HVOUT31
5	HVOUT30
6	NC
7	HVOUT29
8	HVOUT28
9	HVOUT27
10	HVOUT26
11	HVOUT25
12	HVOUT24
13	HVOUT23
14	HVOUT22
15	HVOUT21

Pin	Function
16	HVOUT20
17	HVOUT19
18	N/C
19	HVOUT18
20	HVOUT17
21	Strobe
22	GND
23	Clock
24	$\overline{\text{LE}}$
25	HVOUT16
26	HVOUT15
27	HVOUT14
28	N/C
29	N/C
30	HVOUT13

Pin	Function
31	HVOUT12
32	HVOUT11
33	HVOUT10
34	HVOUT9
35	HVOUT8
36	HVOUT7
37	HVOUT6
38	HVOUT5
39	HVOUT4
40	HVOUT3
41	HVOUT2
42	HVOUT1
43	Data In
44	VDD

40-Lead PDIP (.600in Row Spacing) Package Outline (P)



Note 1:

A Pin 1 identifier must be located in the index area indicated. The Pin 1 identifier may be either a mold, or an embedded metal or marked feature.

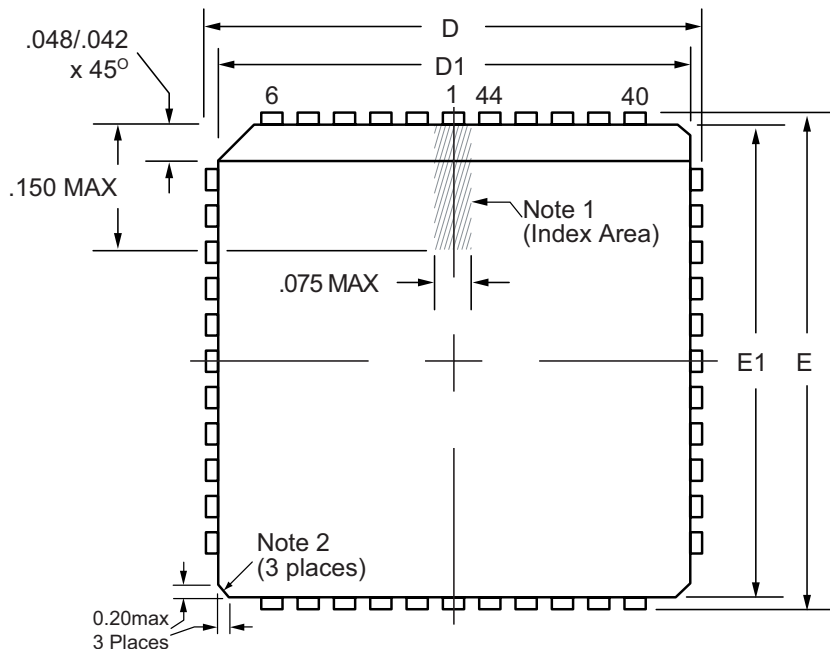
Symbol	A	A1	A2	eA	B	B1	eB	D	D1	E	E1	e	L		
Dimension (inches)	MIN	.140	.015	.125	.600 BSC	.014	.030	.600	1.980	.005	.600	0.485	.100 BSC	.115	
	NOM	-	-	-		-	-	-	-	-	-	-		-	-
	MAX	.250	.125	.195		.022	.070	.700	2.095	.625	.625	0.580		.200	

JEDEC Registration MS-011, Variation AC, Issue B, June, 1988.

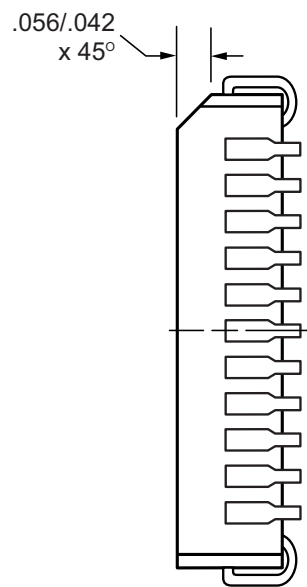
Drawings not to scale.

44-Lead PLCC Package Outline (PJ)

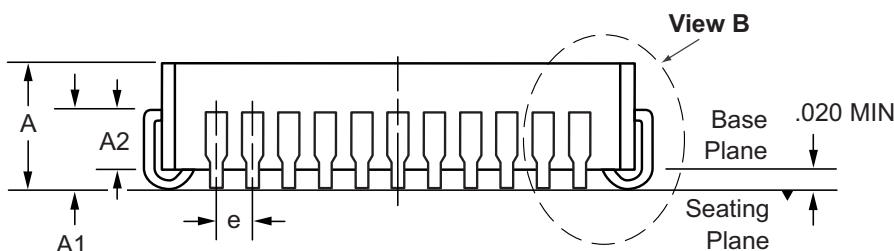
.653x.653in body, .180in height (max.), .050in pitch



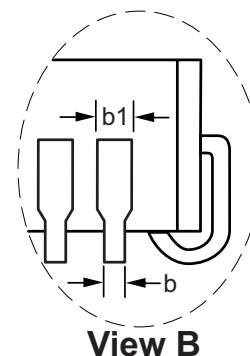
Top View



Side View



Side View



View B

- Note:**
1. A Pin 1 identifier must be located in the index area indicated. The Pin 1 identifier may be either a mold, or an embedded metal or marked feature.
 2. Exact shape of this feature is optional.

Symbol		A	A1	A2	b	b1	D	D1	E	E1	e
Dimension (inches)	MIN	.165	.090	.062	.013	.026	.685	.650	.685	.650	.050 BSC
	NOM	.172	.105	-	-	-	.690	.653	.690	.653	
	MAX	.180	.120	.083	.021	.036	.695	.656	.695	.656	

JEDEC Registration MS-018, Variation AC, Issue A, June, 1993.
 Drawings are not to scale.

(The package drawing(s) in this data sheet may not reflect the most current specifications. For the latest package outline information go to <http://www.supertex.com/packaging.html>.)

Supertex inc. does not recommend the use of its products in life support applications, and will not knowingly sell its products for use in such applications, unless it receives an adequate "product liability indemnification insurance agreement". **Supertex** does not assume responsibility for use of devices described and limits its liability to the replacement of the devices determined defective due to workmanship. No responsibility is assumed for possible omissions or inaccuracies. Circuitry and specifications are subject to change without notice. For the latest product specifications, refer to the **Supertex** website: <http://www.supertex.com>.



Стандарт Электрон Связь

Мы молодая и активно развивающаяся компания в области поставок электронных компонентов. Мы поставляем электронные компоненты отечественного и импортного производства напрямую от производителей и с крупнейших складов мира.

Благодаря сотрудничеству с мировыми поставщиками мы осуществляем комплексные и плановые поставки широчайшего спектра электронных компонентов.

Собственная эффективная логистика и склад в обеспечивает надежную поставку продукции в точно указанные сроки по всей России.

Мы осуществляем техническую поддержку нашим клиентам и предпродажную проверку качества продукции. На все поставляемые продукты мы предоставляем гарантию .

Осуществляем поставки продукции под контролем ВП МО РФ на предприятия военно-промышленного комплекса России , а также работаем в рамках 275 ФЗ с открытием отдельных счетов в уполномоченном банке. Система менеджмента качества компании соответствует требованиям ГОСТ ISO 9001.

Минимальные сроки поставки, гибкие цены, неограниченный ассортимент и индивидуальный подход к клиентам являются основой для выстраивания долгосрочного и эффективного сотрудничества с предприятиями радиоэлектронной промышленности, предприятиями ВПК и научно-исследовательскими институтами России.

С нами вы становитесь еще успешнее!

Наши контакты:

Телефон: +7 812 627 14 35

Электронная почта: sales@st-electron.ru

Адрес: 198099, Санкт-Петербург,
Промышленная ул, дом № 19, литера Н,
помещение 100-Н Офис 331