

Modem - PSI-MODEM-SHDSL/PB - 2313656

Please be informed that the data shown in this PDF Document is generated from our Online Catalog. Please find the complete data in the user's documentation. Our General Terms of Use for Downloads are valid (<http://phoenixcontact.com/download>)



Industrial PROFIBUS extender, for point-to-point connections, linear structures, and mixed operation with repeaters and fiber optic converters. Distances of up to 20 km, PROFIBUS data rates of up to 1.5 Mbps via simple copper wires, such as in-house phone lines.

Product Features

- Distances up to 20 km
- Robust modulation method (SHDSL)
- Mixed operation of copper cables and fiber optics
- The free software calculates the PROFIBUS data rate and the slot time
- For in-house cables
- Linear structure up to 500 kbps
- Point-to-point connection up to 1.5 Mbps



Key commercial data

| | |
|--------------------------------------|-----------|
| Packing unit | 1 pc |
| Weight per Piece (excluding packing) | 340.0 GRM |
| Custom tariff number | 85176200 |
| Country of origin | Germany |

Technical data

Note

| | |
|-------------------------|---|
| Utilization restriction | EMC: class A product, see manufacturer's declaration in the download area |
|-------------------------|---|

Dimensions

| | |
|--------|----------|
| Width | 35 mm |
| Height | 99 mm |
| Depth | 114.5 mm |

Modem - PSI-MODEM-SHDSL/PB - 2313656

Technical data

Ambient conditions

| | |
|--|--|
| Ambient temperature (operation) | -20 °C ... 60 °C (for derating, see technical documentation) |
| Ambient temperature (storage/transport) | -40 °C ... 85 °C |
| Permissible humidity (operation) | 10 % ... 95 % (non-condensing) |
| Permissible humidity (storage/transport) | 10 % ... 95 % (non-condensing) |
| Altitude | 5000 m (For restrictions see manufacturer's declaration) |
| Degree of protection | IP20 |

General

| | |
|--|---|
| Electrical isolation | DIN EN 50178 (VCC // PROFIBUS // DSL (A) // DSL (B)) |
| Test voltage data interface/power supply | 1.5 kV _{rms} (50 Hz, 1 min.) |
| Electromagnetic compatibility | Conformance with EMC Directive 2004/108/EC |
| Net weight | 183 g |
| Housing material | PA 6.6-FR |
| Color | green |
| MTBF | 1004 Years (Telcordia standard, 25°C temperature, 21% operating cycle (5 days a week, 8 hours a day)) 199 Years (Telcordia standard, 40°C temperature, 34.25% operating cycle (5 days a week, 12 hours a day)) |
| MTTF | 800 Years (SN 29500 standard, temperature 25°C, operating cycle 21 % (5 days a week, 8 hours a day)) 346 Years (SN 29500 standard, temperature 40 °C, operating cycle 34.25 % (5 days a week, 12 hours a day)) 140 Years (SN 29500 standard, temperature 40°C, operating cycle 100 % (7 days a week, 24 hours a day)) |
| Conformance | CE-compliant |
| ATEX | # II 3 G Ex nA IIC T4 Gc X (Please follow the special installation instructions in the documentation!) |
| UL, USA / Canada | cULus listed UL 508 |

Power supply

| | |
|-----------------------------|--|
| Nominal supply voltage | 24 V DC ±5 % (as an alternative or redundant, via backplane bus contact and system current supply) 5 V DC (configuration only, via mini-USB type B) |
| Supply voltage range | 18 V DC ... 30 V DC |
| Typical current consumption | < 180 mA (24 V DC) |
| Connection method | COMBICON plug-in screw terminal block |

Serial interface

| | |
|-------------------|---|
| Interface 1 | PROFIBUS acc. to IEC 61158, RS-485 2-wire, half duplex, automatic control |
| Operating mode | Semi-duplex |
| Connection method | D-SUB-9 female connector |

Modem - PSI-MODEM-SHDSL/PB - 2313656

Technical data

Serial interface

| | |
|--|--|
| File format/coding | UART (11 Bit, NRZ) |
| Data direction switching | Automatic control |
| Transmission length | max. 1200 m (depending on the data rate, with shielded, twisted pair data cable) |
| Conductor cross section solid min. | 0.2 mm ² |
| Conductor cross section solid max. | 2.5 mm ² |
| Conductor cross section stranded min. | 0.2 mm ² |
| Conductor cross section stranded max. | 2.5 mm ² |
| Conductor cross section AWG/kcmil min. | 24 |
| Conductor cross section AWG/kcmil max | 13 |
| Serial transmission speed | 9.6/19.2/45.45/93.75/187.5/500/1500 kbps, set via configuration software |
| Interface 2 | SHDSL interface according to ITU-T G.991.2.bis |
| Connection method | 2 x 2-pos. COMBICON plug-in screw terminal blocks |
| Transmission length | up to 20 km (Depending on data rate and cable cross section) |
| Serial transmission speed | 4-wire operation: 64 kbps ... 30 Mbps |
| | 2-wire operation: 32 kbps ... 15.3 Mbps |
| Interface 3 | USB 2.0 |
| Connection method | Mini-USB type B, 5-pos. |
| Transmission length | max. 5 m (only for configuration and diagnostics) |

Function

| | |
|----------------------------------|---|
| Management | User-friendly software: Guided configuration, plausibility checks, diagnostic functions, log book |
| Status and diagnostic indicators | LEDs: VCC (supply voltage), RD/TD (PROFIBUS data traffic), ERR (errors) 2 x LINK / 2 x STAT (DSL data traffic port A and port B), DIAG (diagnostic messages) |

Digital outputs

| | |
|-------------------------|---|
| Output name | Digital output |
| Number of outputs | 2 |
| Voltage output signal | depending on the operating voltage |
| Current output signal | ≤ 150 mA (Short-circuit-proof) |
| Behavior of the outputs | Deactivated for device supply via T-BUS |

Classifications

eCl@ss

| | |
|------------|----------|
| eCl@ss 4.0 | 27240490 |
| eCl@ss 4.1 | 27240490 |

Modem - PSI-MODEM-SHDSL/PB - 2313656

Classifications

eCl@ss

| | |
|------------|----------|
| eCl@ss 5.0 | 27242208 |
| eCl@ss 5.1 | 27242208 |
| eCl@ss 6.0 | 27242208 |
| eCl@ss 7.0 | 27242208 |
| eCl@ss 8.0 | 19060501 |

ETIM

| | |
|----------|----------|
| ETIM 2.0 | EC000310 |
| ETIM 3.0 | EC000740 |
| ETIM 4.0 | EC000740 |
| ETIM 5.0 | EC000740 |

UNSPSC

| | |
|---------------|----------|
| UNSPSC 6.01 | 30211506 |
| UNSPSC 7.0901 | 39121008 |
| UNSPSC 11 | 39121008 |
| UNSPSC 12.01 | 39121008 |
| UNSPSC 13.2 | 43201553 |

Approvals

Approvals

Approvals

UL Listed / cUL Listed / UL Listed / cUL Listed / cULus Listed

Ex Approvals

ATEX / ATEX

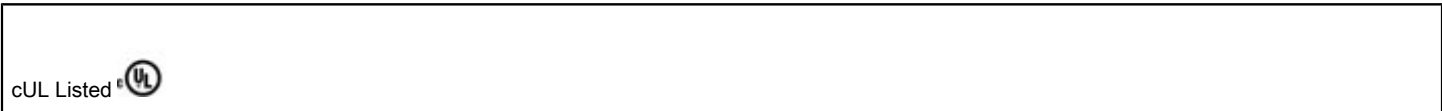
Approvals submitted

Approval details

| |
|-----------|
| UL Listed |
|-----------|

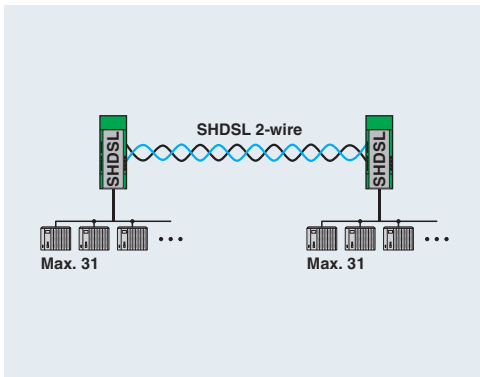
Modem - PSI-MODEM-SHDSL/PB - 2313656

Approvals



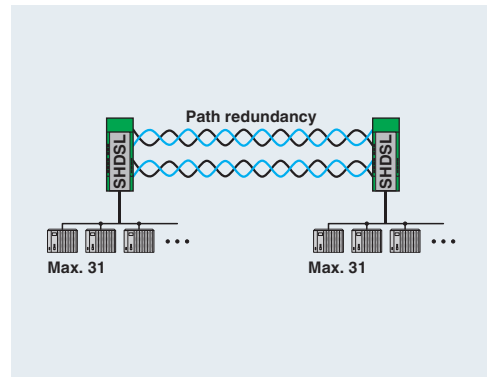
Drawings

Application drawing



Point-to-point connection (2-wire)

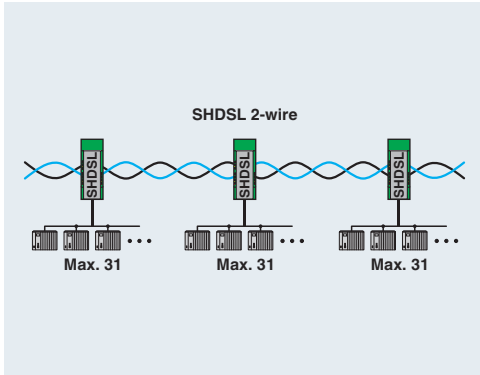
Application drawing



Point-to-point connection (4-wire)

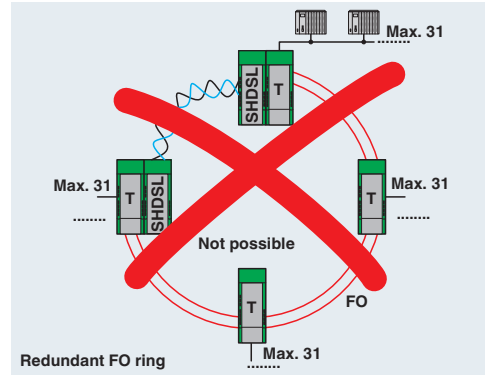
Modem - PSI-MODEM-SHDSL/PB - 2313656

Application drawing



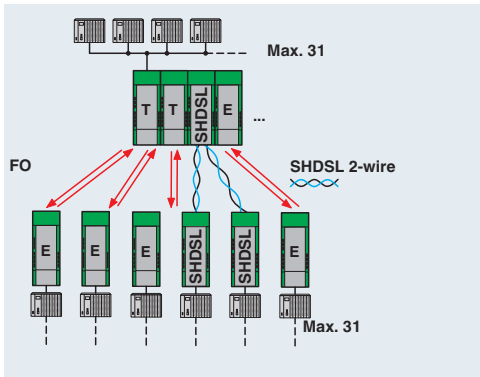
Linear structure (2-wire)

Application drawing



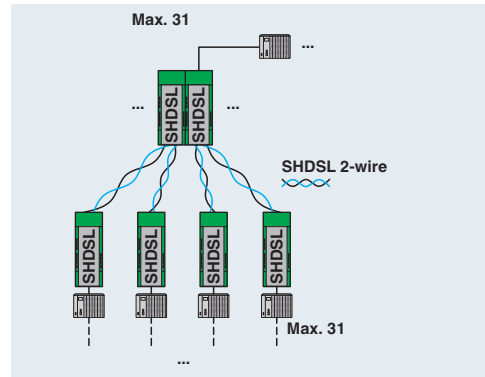
SHDSL subsection in fiber optic ring not supported

Application drawing



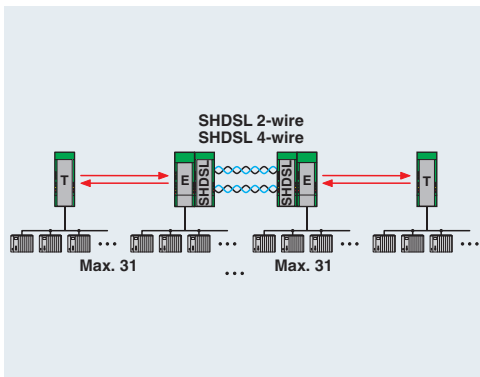
Star structure: mixed operation with repeaters and FO converters

Application drawing



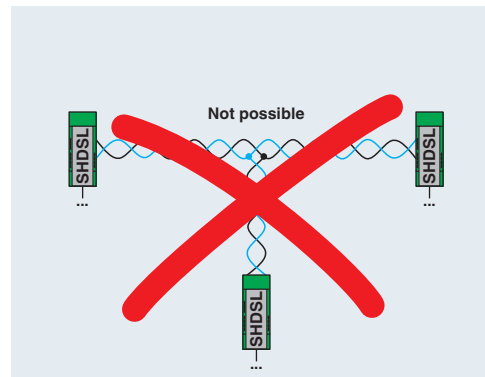
Star structure via DIN rail connector

Application drawing



Linear structure: mixed operation with repeaters and FO converters

Application drawing



Multipoint communication via SHDSL not supported



Стандарт Электрон Связь

Мы молодая и активно развивающаяся компания в области поставок электронных компонентов. Мы поставляем электронные компоненты отечественного и импортного производства напрямую от производителей и с крупнейших складов мира.

Благодаря сотрудничеству с мировыми поставщиками мы осуществляем комплексные и плановые поставки широчайшего спектра электронных компонентов.

Собственная эффективная логистика и склад в обеспечивает надежную поставку продукции в точно указанные сроки по всей России.

Мы осуществляем техническую поддержку нашим клиентам и предпродажную проверку качества продукции. На все поставляемые продукты мы предоставляем гарантию .

Осуществляем поставки продукции под контролем ВП МО РФ на предприятия военно-промышленного комплекса России , а также работаем в рамках 275 ФЗ с открытием отдельных счетов в уполномоченном банке. Система менеджмента качества компании соответствует требованиям ГОСТ ISO 9001.

Минимальные сроки поставки, гибкие цены, неограниченный ассортимент и индивидуальный подход к клиентам являются основой для выстраивания долгосрочного и эффективного сотрудничества с предприятиями радиоэлектронной промышленности, предприятиями ВПК и научно-исследовательскими институтами России.

С нами вы становитесь еще успешнее!

Наши контакты:

Телефон: +7 812 627 14 35

Электронная почта: sales@st-electron.ru

Адрес: 198099, Санкт-Петербург,
Промышленная ул, дом № 19, литера Н,
помещение 100-Н Офис 331