

Description

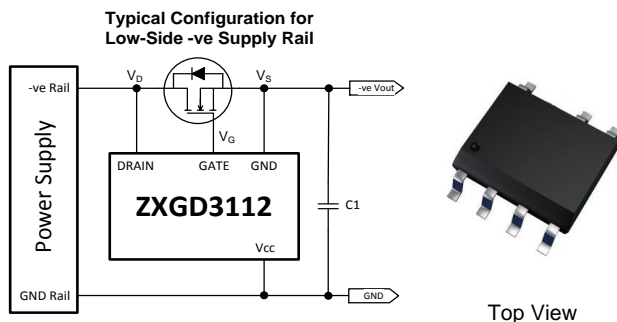
ZXGD3112N7 is a 400V Active OR-ing MOSFET controller designed for driving a very low $R_{DS(ON)}$ power MOSFET as an ideal diode. This replaces the standard rectifier to reduce the forward voltage drop and overall increase the power transfer efficiency.

The ZXGD3112N7 can be used on both high-side and low-side power supply units (PSU) with rails up to $\pm 400V$. It enables very low $R_{DS(ON)}$ MOSFETs to operate as ideal diodes as the turn-off threshold is only $-3mV$ with $\pm 2mV$ tolerance. In the typical 48V configuration, the standby power consumption is $<50mW$ as the low quiescent supply current is $<1mA$. During PSU fault condition, the OR-ing Controller detects the power reduction and rapidly turns off the MOSFET in $<600ns$ to block reverse current flow and avoid the common bus voltage drooping.

Applications

Active OR-ing Controller in:

- (N + 1) Redundant Power Supplies
- Telecom and Networking
- Data Centers and Servers



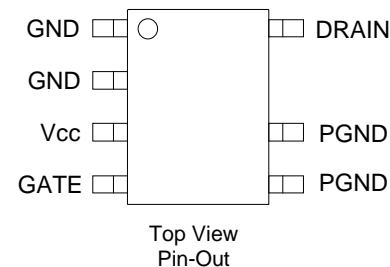
Features

- Active OR-ing MOSFET Controller for High- or Low-Side PSU
- Ideal Diode to Reduce Forward Voltage Drop
- $-3mV$ Typical Turn-Off Threshold with $\pm 2mV$ Tolerance
- 400V Drain Voltage Rating
- 25V V_{CC} Rating
- $<50mW$ Standby Power with Quiescent Supply Current $<1mA$
- $<600ns$ Turn-Off Time to Minimize Reverse Current
- **Totally Lead-Free & Fully RoHS compliant (Notes 1 & 2)**
- **Halogen and Antimony free. "Green" Device (Note 3)**

Mechanical Data

- Case: SO-7
- Case material: Molded Plastic. "Green" Molding Compound
UL Flammability Rating 94V-0
- Moisture Sensitivity: Level 1 per J-STD-020
- Terminals: Finish - Matte Tin Plated Leads, Solderable per MIL-STD-202, Method 208
- Weight: 0.074 grams (Approximate)

SO-7



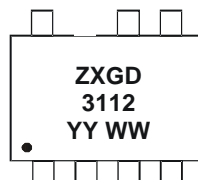
Pin Name	Pin Function
GND	Ground
Vcc	Power Supply
GATE	Gate Drive
PGND	Power Ground
DRAIN	Drain Sense

Ordering Information (Note 4)

Product	Marking	Reel Size (inches)	Tape Width (mm)	Quantity per Reel
ZXGD3112N7TC	ZXGD3112	13	12	2,500

- Notes:
1. No purposely added lead. Fully EU Directive 2002/95/EC (RoHS) & 2011/65/EU (RoHS 2) compliant.
 2. See http://www.diodes.com/quality/lead_free.html for more information about Diodes Incorporated's definitions of Halogen- and Antimony-free, "Green" and Lead-free.
 3. Halogen- and Antimony-free "Green" products are defined as those which contain $<900ppm$ bromine, $<900ppm$ chlorine ($<1500ppm$ total Br + Cl) and $<1000ppm$ antimony compounds.
 4. For packaging details, go to our website at <http://www.diodes.com/products/packages.html>.

Marking Information



ZXGD = Product Type Marking Code, Line 1
 3112 = Product Type Marking Code, Line 2
 YY = Year (ex: 15 = 2015)
 WW = Week (01 - 53)

Absolute Maximum Ratings (Voltage relative to GND, @ $T_A = +25^\circ\text{C}$, unless otherwise specified.)

Characteristic	Symbol	Value	Unit
Supply Voltage	V_{CC}	25	V
Drain Pin Voltage	V_D	-3 to 400	V
Gate Output Voltage**	V_G	-3 to $V_{CC} + 3$	V
Gate Driver Peak Source Current	I_{SOURCE}	2	A
Gate Driver Peak Sink Current	I_{SINK}	5	A

**Gate voltage is clamped to 12V

Thermal Characteristics

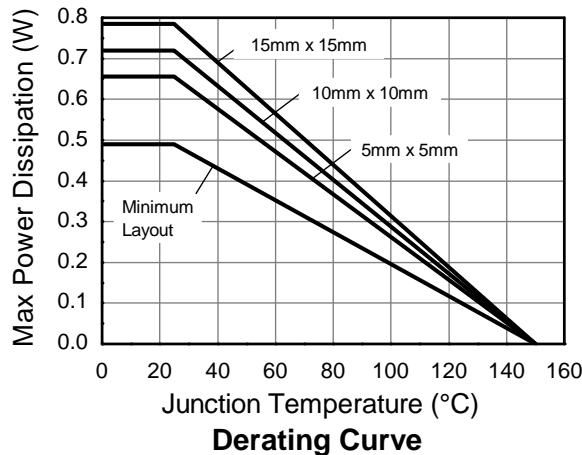
Characteristic	Symbol	Value	Unit
Power Dissipation Linear Derating Factor	P_D	490	mW mW/°C
		3.92	
		655	
		5.24	
		720	
Thermal Resistance, Junction to Ambient	$R_{\theta JA}$	5.76	°C/W
		785	
		6.28	
		255	
Thermal Resistance, Junction to Ambient	$R_{\theta JA}$	191	°C/W
		173	
		159	
		135	
Thermal Resistance, Junction to Lead	$R_{\theta JL}$	135	°C/W
Operating and Storage Temperature Range	T_J, T_{STG}	-50 to +150	°C

ESD Ratings (Note 10)

Characteristic	Symbol	Value	Unit	JEDEC Class
Electrostatic Discharge - Human Body Model	ESD HBM	2,000	V	3A
Electrostatic Discharge - Machine Model	ESD MM	200	V	B

- Notes:
5. For a device surface mounted on minimum recommended pad layout FR4 PCB with high coverage of single sided 1oz copper, in still air conditions; the device is measured when operating in a steady-state condition.
 6. Same as Note 5, except pin 3 (V_{CC}) and pins 5 & 6 (PGND) are both connected to separate 5mm x 5mm 1oz copper heat-sinks.
 7. Same as Note 6, except both heat-sinks are 10mm x 10mm.
 8. Same as Note 6, except both heat-sinks are 15mm x 15mm.
 9. Thermal resistance from junction to solder-point at the end of each lead on pins 2 & 3 (GND) and pins 5 & 6 (V_{CC}).
 10. Refer to JEDEC specification JESD22-A114 and JESD22-A11

Thermal Derating Curve



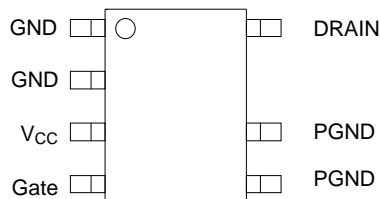
Electrical Characteristics (@ $V_{CC} = 12V$, $T_A = +25^\circ C$, unless otherwise specified.)

Characteristic	Symbol	Min	Typ	Max	Unit	Test Condition
Input Supply						
Operating Supply Voltage	V_{CC}	4	—	20	V	
Quiescent Current	I_Q	—	260	400	μA	$-0.6V \leq V_{DRAIN} \leq 400V$
Drain Low Input current	I_{DL}	-100	-15	—	nA	$V_D = -0.1V$
Drain High Input current	I_{DH}	—	0.85	10	μA	$V_D = 400V$
Gate Driver						
Gate Peak Source Current	I_{SOURCE}	—	0.66	—	A	$C_L = 47nF$
Gate Peak Sink Current	I_{SINK}	—	3.3	—		
Gate Peak Source Current (Note 11)	I_{SOURCE}	1	—	—	A	$V_{GATE} = 5V$ & $V_{DRAIN} = -1V$
Gate Peak Sink Current (Note 11)	I_{SINK}	1.8	—	—	A	$V_{GATE} = 5V$ & $V_{DRAIN} = 1V$
Detector Under DC Condition						
Turn-off Threshold Voltage	V_T	-5	-3	-1	mV	$V_G \leq 1V$
Gate Output Voltage	$V_{G(OFF)}$	—	0.1	0.3	V	$V_{DRAIN} \geq 0mV$ & $V_{CC} = 12V$
	V_G	10.5	10.85			$V_{DRAIN} = -8mV$ & $V_{CC} = 12V$
	$V_{G(OFF)}$	—	0.1	0.3		$V_{DRAIN} \geq 0mV$ & $V_{CC} = 4V$
	V_G	2.5	2.85	—		$V_{DRAIN} = -8mV$ & $V_{CC} = 4V$
	$V_{G(OFF)}$	—	0.1	0.3		$V_{DRAIN} \geq 0mV$ & $V_{CC} = 20V$
	V_G	10.5	11.2	—		$V_{DRAIN} = -8mV$ & $V_{CC} = 20V$
Switching Performance						
Turn-On Propagation Delay	$t_{D(RISE)}$	—	400	—	nS	$C_L = 47nF$ Rise and Fall Measured 10% to 90% Refer to Application Test Circuit Below
Gate Rise Time	t_R	—	695	—		
Turn-Off Propagation Delay	$t_{D(FALL)}$	—	400	—		
Gate Fall Time	t_F	—	131	—		

Note: 11. Measured under pulsed conditions. Pulse width = 300 μs . Duty cycle \leq 2%.

Pin Functions

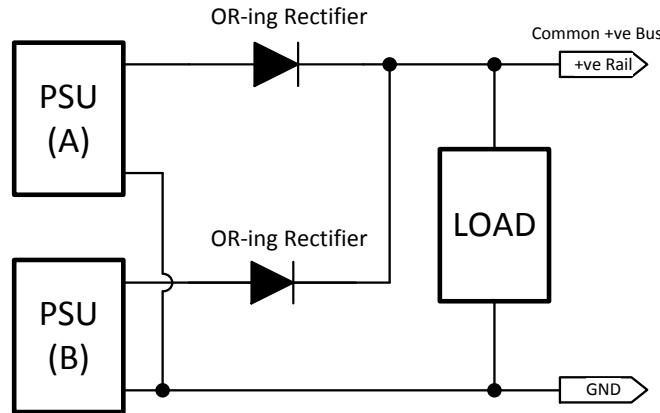
Pin Number	Pin Name	Pin Function and Description
1, 2	GND	Ground Connect this pin to the MOSFET source terminal and ground reference point.
3	V _{CC}	Power Supply This supply pin should be closely decoupled to ground with a X7R type capacitor.
4	GATE	Gate Drive This pin sources (I_{SOURCE}) and sinks (I_{SINK}) current into the MOSFET gate. If $V_{CC} > 12V$, then the GATE-to-GND will clamp at 12V. The turn on time of the MOSFET can be programmed through an external gate resistor (R_G).
5, 6	PGND	Power Ground Connect this pin to the MOSFET source terminal and ground reference point.
7	DRAIN	Drain Sense Connect this pin to the MOSFET drain terminal to detect the change in drain-source voltage.



Layout Considerations

The GATE pin should be close to the MOSFET gate to minimize trace resistance and inductance to maximize switching performance. Whilst the V_{CC} to GND pin needs an X7R type capacitor closely decoupling the supply. Trace widths should be maximized in the high current paths through the MOSFET and ground return in order to minimize the effects of circuit resistance and inductance; also, the ground return loop should be as short as possible. For thermal consideration, the main heat path is from pin 3 (V_{CC}) and pins 5 & 6 (PGND). For best thermal performance, the copper area connected to pin 3 (V_{CC}) and pins 5 & 6 (PGND) should be maximized.

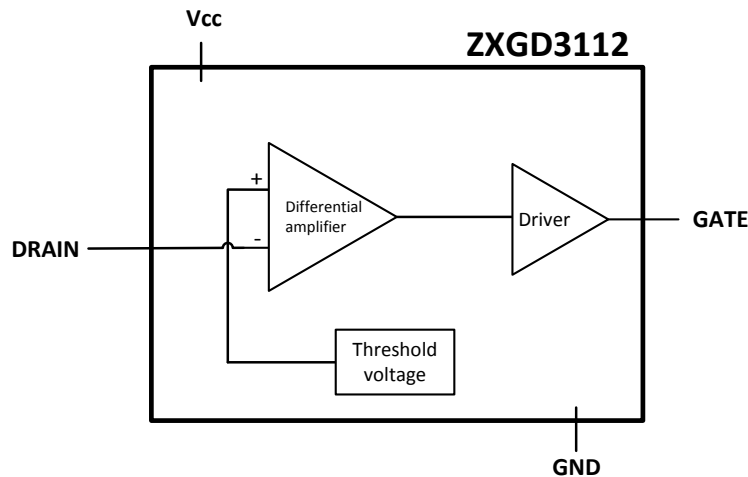
Active OR-ing or (N+1) Redundancy Application



Critical systems require fault-tolerant power supply that can be achieved by paralleling two or more PSUs into (N+1) redundancy configuration. During normal operation, usually all PSUs equally share the load for maximum reliability. If one of the PSU is unplugged or fails, then the other PSUs fully support the load. To avoid the faulty PSU from affecting the common bus, then an OR-ing rectifier blocks the reverse current flow into the faulty PSU. Likewise during hot-swapping, the OR-ing rectifiers isolate a PSU's discharged output capacitors from the common bus.

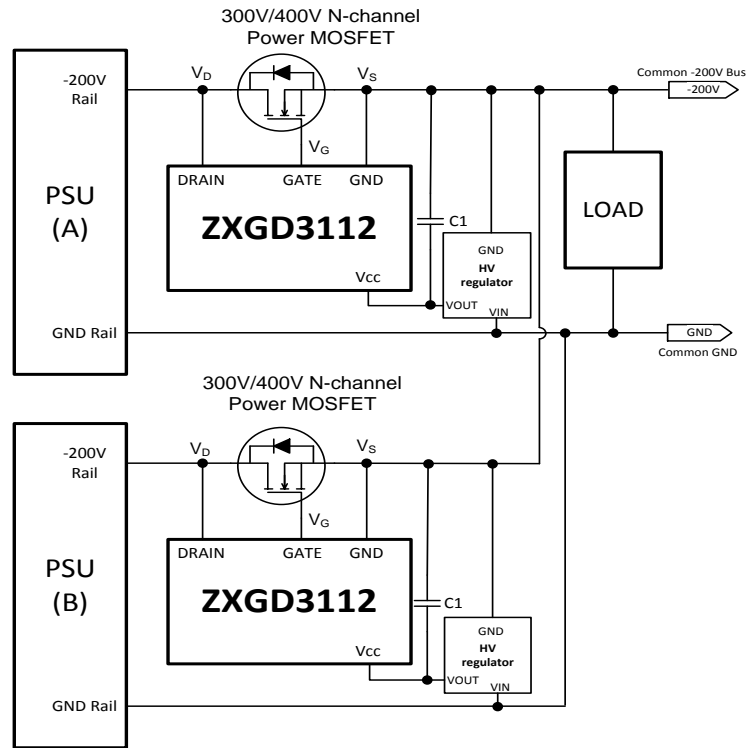
As the load current is in the tens of amps then a standard rectifier has a significant forward voltage drop. This both wastes power and significantly drops the potential on low voltage rails. Hence, very low $R_{DS(ON)}$ power MOSFETs can replace the standard rectifiers and the ZXGD3112 controls the MOSFET as an ideal diode.

Functional Block Diagram

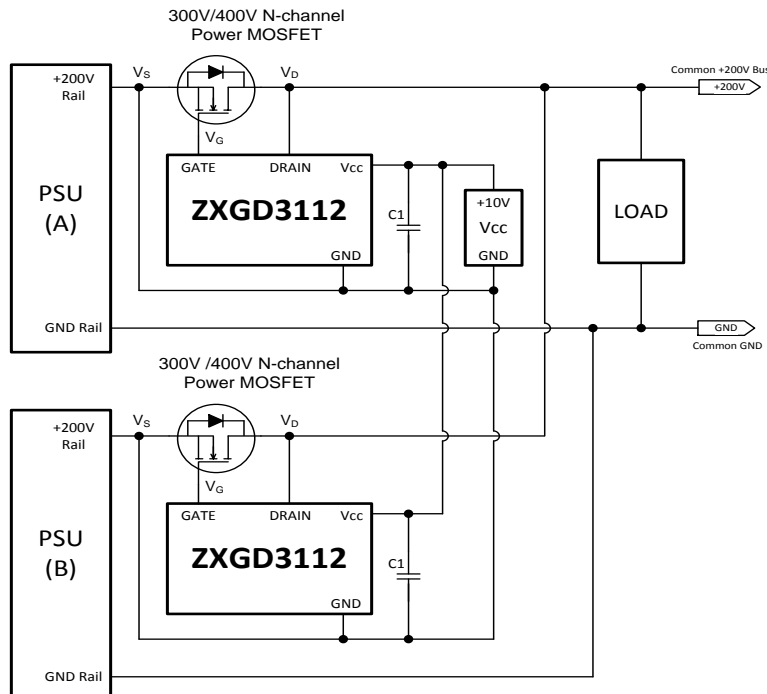


The device is comprised of a differential amplifier and high current driver. The differential amplifier acts as a detector and monitors the DRAIN-to-GND pin voltage difference. When this difference is less than the threshold voltage (V_T) then a positive output voltage approaching V_{CC} is given on the GATE pin. If $V_{CC} > 12V$, then the GATE-to-GND will clamp at 12V. Conversely, when the DRAIN-to-GND pin voltage difference is greater than V_T , then GATE pin voltage is rapidly reduced towards the GND voltage.

Typical Application Circuits



The focus application of the ZXGD3112 OR-ing Controller is for Redundant Low-Side -200V Power Supply Rail. HV to 12V regulator or a potential divider is suggested to power the V_{CC} of ZXGD3112 from high voltage lines.

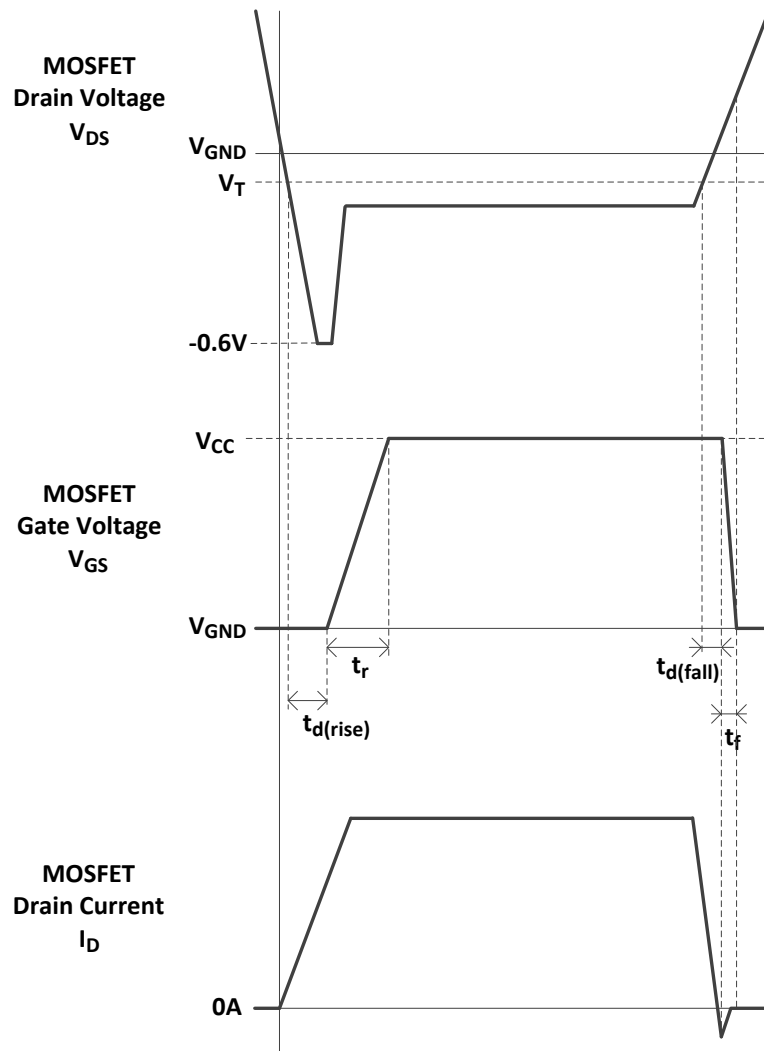


Example of the ZXGD3112 OR-ing Controller in a Redundant High-Side +200V Power Supply Rail using an additional V_{CC} supply.

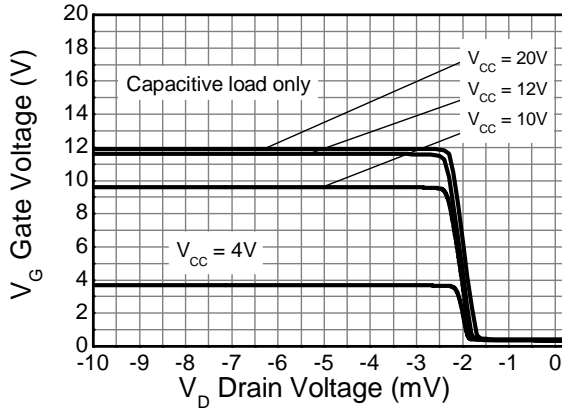
Operation in Typical Application

The ZXGD3112 operation is described step-by-step with reference to the typical application circuits and the timing diagram below:

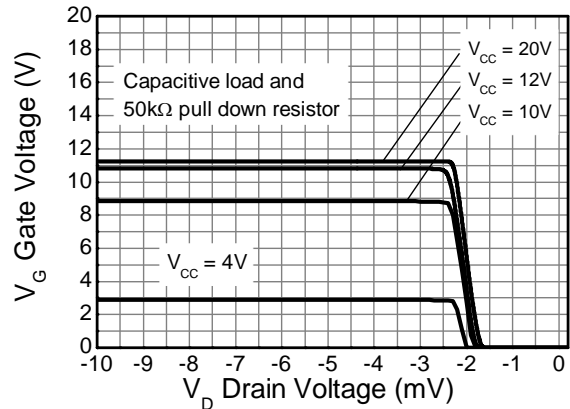
1. The ZXGD3112 differential amplifier monitors the MOSFET's drain-source voltage (V_{DS}).
2. At system start up, the MOSFET body diode is forced to conduct current from the input PSU to the load and V_{DS} is approximately $-0.6V$ as measured by the differential amplifier between DRAIN-to-GND pins.
3. As $V_{DS} < V_T$ (threshold voltage), then the differential amplifier outputs a positive voltage approaching V_{CC} with respect to GND. This feeds the driver stage from which the GATE pin voltage rises towards V_{CC} . If $V_{CC} > 12V$, then the GATE-to-GND will clamp at $12V$.
4. The sourcing current out of the GATE pin drives the MOSFET gate to enhance the channel and turn it on.
5. If a short condition occurs on the input PSU, it causes the MOSFET V_{DS} to increase.
6. When $V_{DS} > V_T$, then the differential amplifier's output goes to GND and the driver stage rapidly pulls the GATE pin voltage to GND, turning off the MOSFET channel. This prevents high reverse current flow from the load to the PSU which could pull down the common bus voltage causing catastrophic system failure.



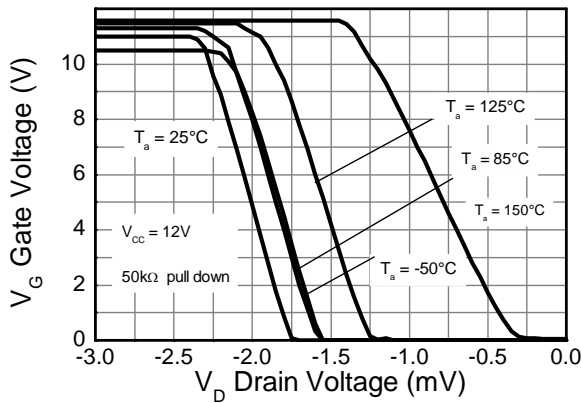
Typical Electrical Characteristics



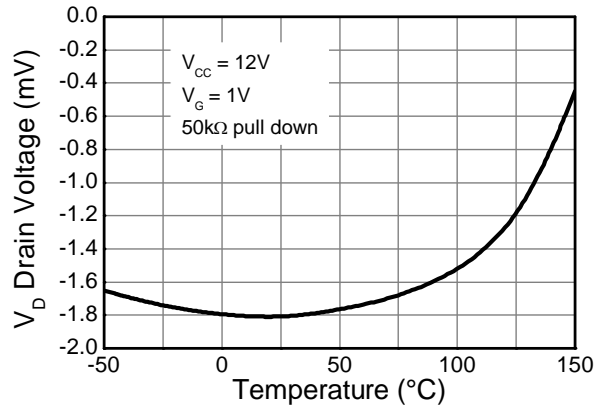
Transfer Characteristic



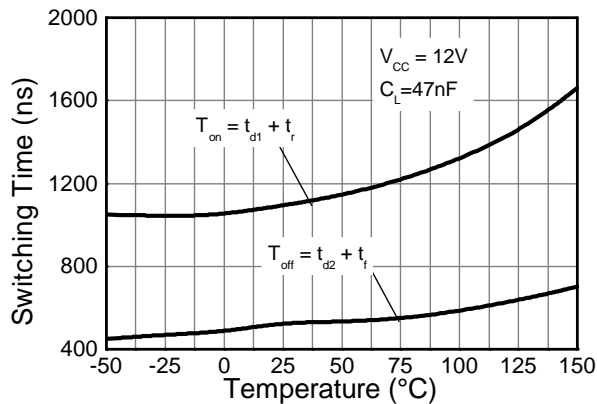
Transfer Characteristic



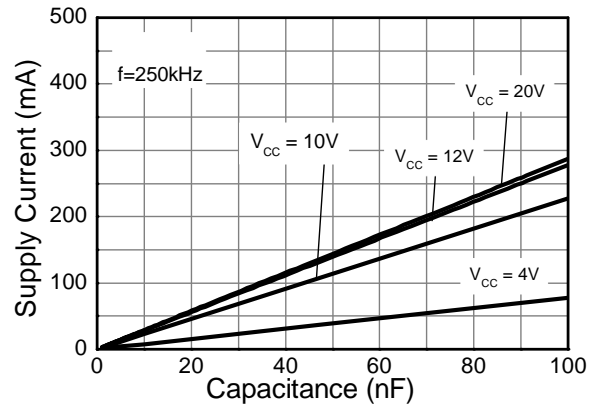
Transfer Characteristic



Drain Sense Voltage vs Temperature

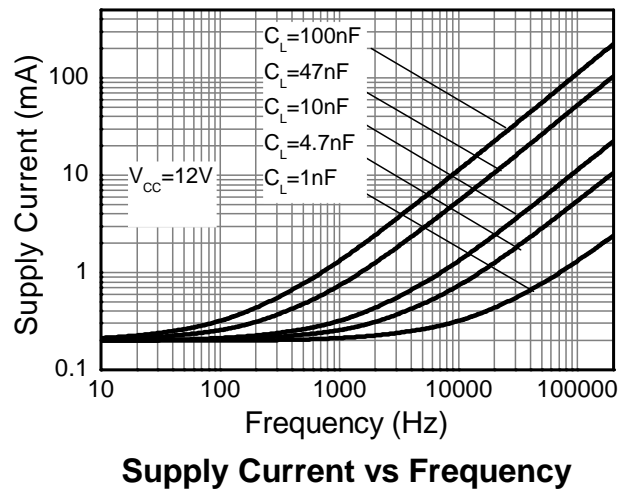
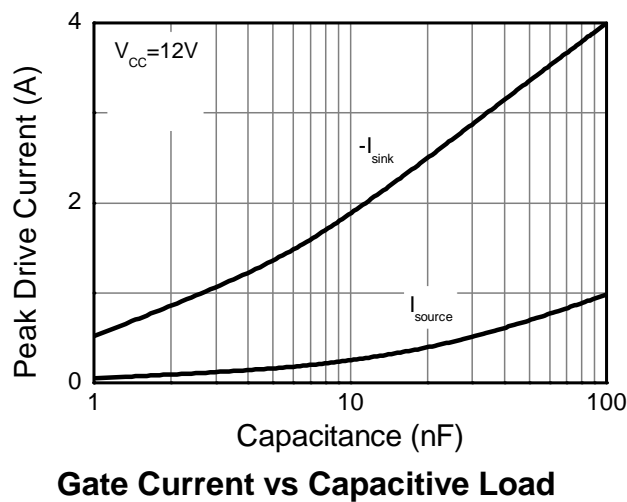
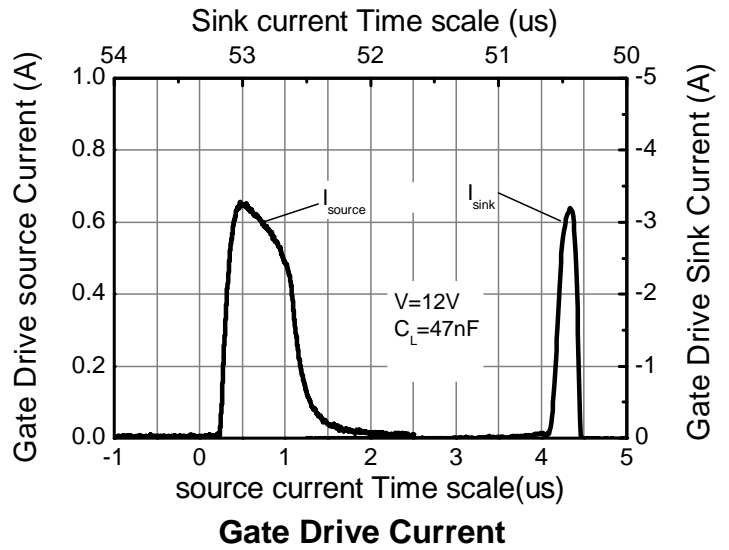
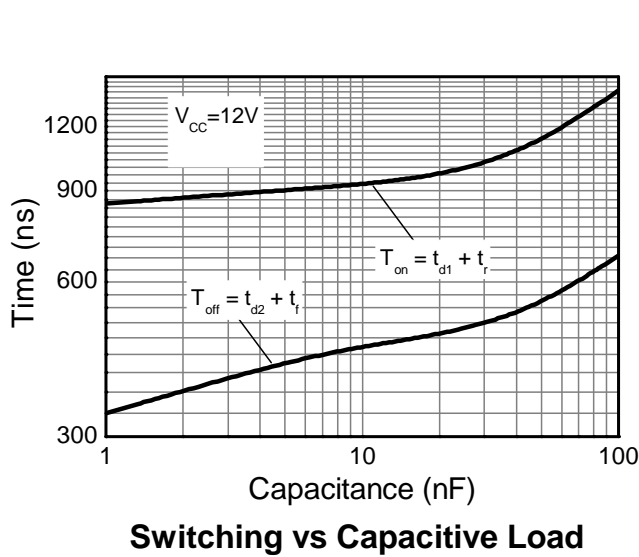
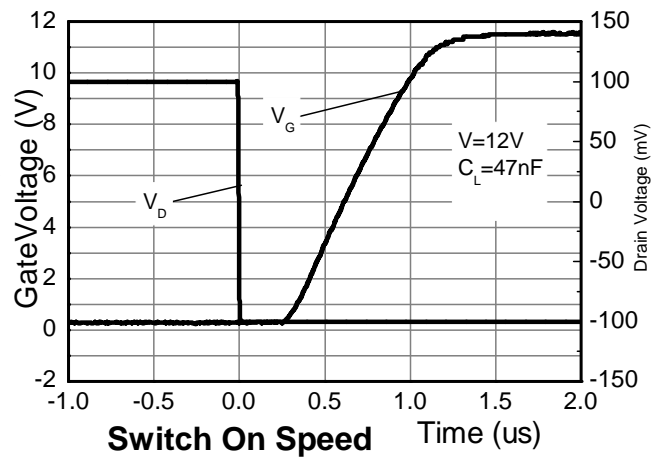
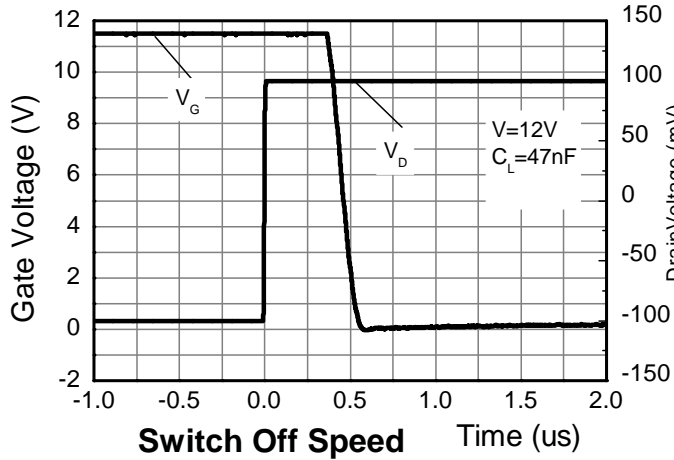


Switching vs Temperature



Supply Current vs Capacitive Load

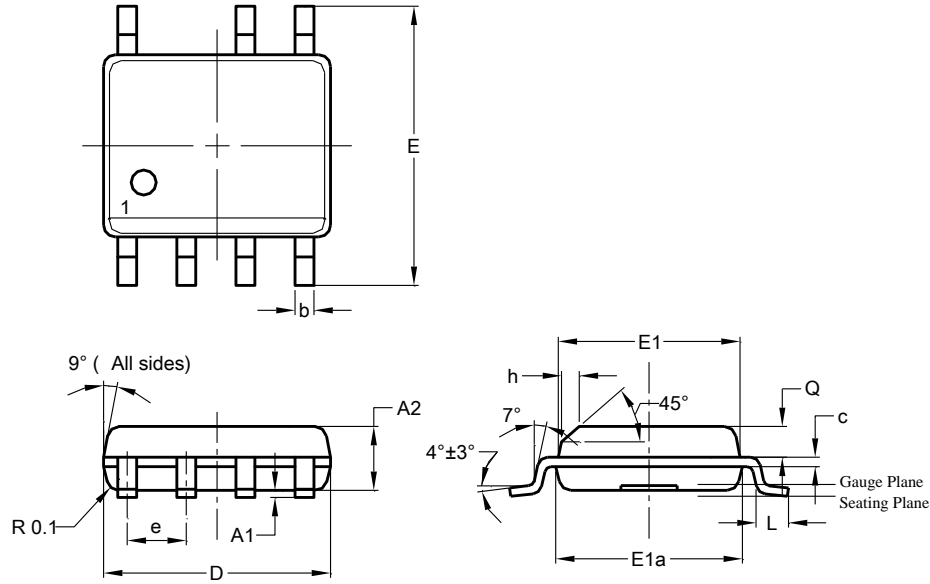
Typical Electrical Characteristics (Continued)



Package Outline Dimensions

Please see AP02001 at <http://www.diodes.com/datasheets/ap02001.pdf> for the latest version.

SO-7

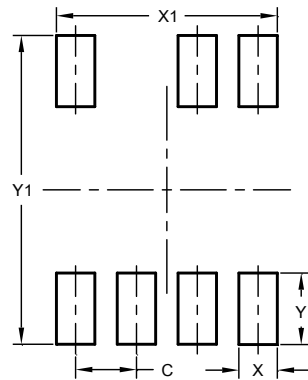


SO-7			
Dim	Min	Max	Typ
A2	1.40	1.50	1.45
A1	0.10	0.20	0.15
b	0.30	0.50	0.40
c	0.15	0.25	0.20
D	4.85	4.95	4.90
E	5.90	6.10	6.00
E1	3.80	3.90	3.85
E1a	3.85	3.95	3.90
e	-	-	1.27
h	-	-	0.35
L	0.62	0.82	0.72
Q	0.60	0.70	0.65
All Dimensions in mm			

Suggested Pad Layout

Please see AP02001 at <http://www.diodes.com/datasheets/ap02001.pdf> for the latest version.

SO-7



Dimensions	Value (in mm)
C	1.270
X	0.802
X1	4.612
Y	1.505
Y1	6.500

IMPORTANT NOTICE

DIODES INCORPORATED MAKES NO WARRANTY OF ANY KIND, EXPRESS OR IMPLIED, WITH REGARDS TO THIS DOCUMENT, INCLUDING, BUT NOT LIMITED TO, THE IMPLIED WARRANTIES OF MERCHANTABILITY AND FITNESS FOR A PARTICULAR PURPOSE (AND THEIR EQUIVALENTS UNDER THE LAWS OF ANY JURISDICTION).

Diodes Incorporated and its subsidiaries reserve the right to make modifications, enhancements, improvements, corrections or other changes without further notice to this document and any product described herein. Diodes Incorporated does not assume any liability arising out of the application or use of this document or any product described herein; neither does Diodes Incorporated convey any license under its patent or trademark rights, nor the rights of others. Any Customer or user of this document or products described herein in such applications shall assume all risks of such use and will agree to hold Diodes Incorporated and all the companies whose products are represented on Diodes Incorporated website, harmless against all damages.

Diodes Incorporated does not warrant or accept any liability whatsoever in respect of any products purchased through unauthorized sales channel. Should Customers purchase or use Diodes Incorporated products for any unintended or unauthorized application, Customers shall indemnify and hold Diodes Incorporated and its representatives harmless against all claims, damages, expenses, and attorney fees arising out of, directly or indirectly, any claim of personal injury or death associated with such unintended or unauthorized application.

Products described herein may be covered by one or more United States, international or foreign patents pending. Product names and markings noted herein may also be covered by one or more United States, international or foreign trademarks.

This document is written in English but may be translated into multiple languages for reference. Only the English version of this document is the final and determinative format released by Diodes Incorporated.

LIFE SUPPORT

Diodes Incorporated products are specifically not authorized for use as critical components in life support devices or systems without the express written approval of the Chief Executive Officer of Diodes Incorporated. As used herein:

A. Life support devices or systems are devices or systems which:

1. are intended to implant into the body, or
2. support or sustain life and whose failure to perform when properly used in accordance with instructions for use provided in the labeling can be reasonably expected to result in significant injury to the user.

B. A critical component is any component in a life support device or system whose failure to perform can be reasonably expected to cause the failure of the life support device or to affect its safety or effectiveness.

Customers represent that they have all necessary expertise in the safety and regulatory ramifications of their life support devices or systems, and acknowledge and agree that they are solely responsible for all legal, regulatory and safety-related requirements concerning their products and any use of Diodes Incorporated products in such safety-critical, life support devices or systems, notwithstanding any devices- or systems-related information or support that may be provided by Diodes Incorporated. Further, Customers must fully indemnify Diodes Incorporated and its representatives against any damages arising out of the use of Diodes Incorporated products in such safety-critical, life support devices or systems.

Copyright © 2015, Diodes Incorporated

www.diodes.com



Стандарт Электрон Связь

Мы молодая и активно развивающаяся компания в области поставок электронных компонентов. Мы поставляем электронные компоненты отечественного и импортного производства напрямую от производителей и с крупнейших складов мира.

Благодаря сотрудничеству с мировыми поставщиками мы осуществляем комплексные и плановые поставки широчайшего спектра электронных компонентов.

Собственная эффективная логистика и склад в обеспечивает надежную поставку продукции в точно указанные сроки по всей России.

Мы осуществляем техническую поддержку нашим клиентам и предпродажную проверку качества продукции. На все поставляемые продукты мы предоставляем гарантию .

Осуществляем поставки продукции под контролем ВП МО РФ на предприятия военно-промышленного комплекса России , а также работаем в рамках 275 ФЗ с открытием отдельных счетов в уполномоченном банке. Система менеджмента качества компании соответствует требованиям ГОСТ ISO 9001.

Минимальные сроки поставки, гибкие цены, неограниченный ассортимент и индивидуальный подход к клиентам являются основой для выстраивания долгосрочного и эффективного сотрудничества с предприятиями радиоэлектронной промышленности, предприятиями ВПК и научно-исследовательскими институтами России.

С нами вы становитесь еще успешнее!

Наши контакты:

Телефон: +7 812 627 14 35

Электронная почта: sales@st-electron.ru

Адрес: 198099, Санкт-Петербург,
Промышленная ул, дом № 19, литера Н,
помещение 100-Н Офис 331