

ISL32600E, ISL32601E, ISL32602E, ISL32603E

1.8V to 3.3V, Micro-Power, ±15kV ESD, +125 °C, Slew Rate Limited  
RS-485/RS-422 Transceivers

FN7967  
Rev.2.00  
Jan 31, 2019

The [ISL32600E](#), [ISL32601E](#), [ISL32602E](#), and [ISL32603E](#) are ±15kV IEC61000 ESD protected, micro-power, wide supply range transceivers for differential communication. The ISL32600E and ISL32601E operate with  $V_{CC} \geq 2.7V$  and have maximum supply currents as low as 100µA with both the transmitter (Tx) and receiver (Rx) enabled. The ISL32602E and ISL32603E operate with supply voltages as low as 1.8V. These transceivers have very low bus currents, so they present less than a 1/8 unit load to the bus. This allows more than 256 transmitters on the network without violating the RS-485 specification's 32 unit load maximum.

The Rx inputs feature symmetrical switching thresholds and up to 65mV of hysteresis to improve noise immunity and to reduce duty cycle distortion in the presence of slow moving input signals (see [Figure 39 on page 18](#)). The Rx input common-mode range is the full -7V to +12V RS-485 range for supply voltages  $\geq 3V$ .

Hot plug circuitry ensures that the Tx and Rx outputs remain in a high impedance state while the power supply stabilizes.

This transceiver family uses slew rate limited drivers, which reduce EMI, and minimize reflections from improperly terminated transmission lines or from unterminated stubs in multidrop and multipoint applications.

The ISL32600E and ISL32602E are configured for full duplex (separate Rx input and Tx output pins) applications. The ISL32601E and ISL32603E are half duplex versions that multiplex the Rx inputs and Tx outputs to allow transceivers with output disable functions in 8 Ld packages. [Table 1 on page 3](#) provides a summary of each device's features.

**Related Literature**

For a full list of related documents, visit our website:

- [ISL32600E](#), [ISL32601E](#), [ISL32602E](#), and [ISL32603E](#) device pages

**Features**

- Single 1.8V, 3V, or 3.3V supply
- Low supply currents
  - ISL32601E ..... 100µA (maximum) at 3V
  - ISL32603E ..... 150µA (maximum) at 1.8V
- Ultra low shutdown supply current. .... 10nA
- IEC61000 ESD protection on RS-485 I/O pins. .... ±15kV
  - Class 3 ESD levels on all other pins. .... >8kV HBM
- Symmetrical switching thresholds for less duty cycle distortion (see [Figure 39 on page 18](#))
- Up to 65mV hysteresis for improved noise immunity
- Data rates from 128kbps to 460kbps
- Specified for +125 °C operation
- 1/8 unit load allows up to 256 devices on the bus
- -7V to +12V common-mode input/output voltage range ( $V_{CC} \geq 3V$ )
- Half and full duplex pinouts; three state Rx and Tx outputs
- 5V tolerant logic inputs
- Tiny MSOP packages consume 50% less board space

**Applications**

- Differential sensor interfaces
- Process control networks
- Security camera networks
- Building environmental control/lighting systems



FIGURE 1. THE ISL32600E AND ISL32601E HAVE A 9.6kbps OPERATING  $I_{CC}$  LOWER THAN THE STATIC  $I_{CC}$  OF MANY EXISTING 3V TRANSCEIVERS



FIGURE 2. THE ISL32602E AND ISL32603E WITH  $V_{CC} = 1.8V$  REDUCE OPERATING  $I_{CC}$  BY A FACTOR OF 25 TO 40, COMPARED WITH  $I_{CC}$  AT  $V_{CC} = 3.3V$

## Typical Operating Circuits

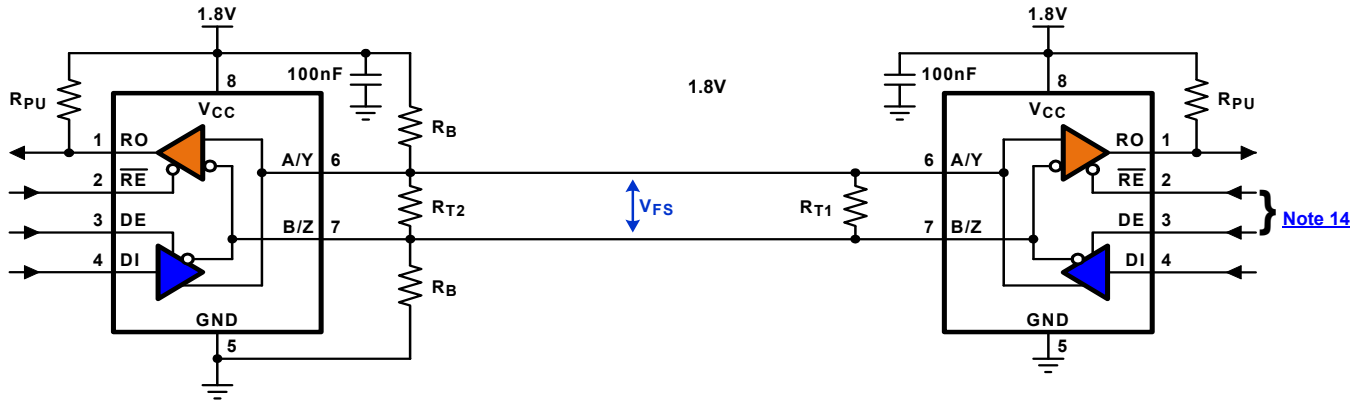


FIGURE 3. HALF DUPLEX NETWORK USING ISL32603E



FIGURE 4. FULL DUPLEX NETWORK USING ISL32600E

NOTE: For calculating the resistor values see [TB509](#), "Detecting Bus Signals Correctly with Failsafe Biased RS-485 Receivers".

## Ordering Information

| PART NUMBER<br>(Notes 2, 3) | PART MARKING | TEMP. RANGE<br>(°C) | TAPE AND REEL<br>(Units) (Note 1) | PACKAGE<br>(RoHS Compliant) | PKG.<br>DWG. # |
|-----------------------------|--------------|---------------------|-----------------------------------|-----------------------------|----------------|
| ISL32600EFBZ                | 32600EFBZ    | -40 to +125         | -                                 | 14 Ld SOIC                  | M14.15         |
| ISL32600EFBZ-T              | 32600EFBZ    | -40 to +125         | 2.5k                              | 14 Ld SOIC                  | M14.15         |
| ISL32600EFBZ-T7A            | 32600EFBZ    | -40 to +125         | 250                               | 14 Ld SOIC                  | M14.15         |
| ISL32600EFUZ                | 32600        | -40 to +125         | -                                 | 10 Ld MSOP                  | M10.118        |
| ISL32600EFUZ-T              | 32600        | -40 to +125         | 2.5k                              | 10 Ld MSOP                  | M10.118        |
| ISL32600EFUZ-T7A            | 32600        | -40 to +125         | 250                               | 10 Ld MSOP                  | M10.118        |
| ISL32601EFBZ                | 32601 EFBZ   | -40 to +125         | -                                 | 8 Ld SOIC                   | M8.15          |
| ISL32601EFBZ-T              | 32601 EFBZ   | -40 to +125         | 2.5k                              | 8 Ld SOIC                   | M8.15          |
| ISL32601EFBZ-T7A            | 32601 EFBZ   | -40 to +125         | 250                               | 8 Ld SOIC                   | M8.15          |
| ISL32601EFUZ                | 32601        | -40 to +125         | -                                 | 8 Ld MSOP                   | M8.118         |
| ISL32601EFUZ-T              | 32601        | -40 to +125         | 2.5k                              | 8 Ld MSOP                   | M8.118         |
| ISL32601EFUZ-T7A            | 32601        | -40 to +125         | 250                               | 8 Ld MSOP                   | M8.118         |
| ISL32602EFBZ                | 32602EFBZ    | -40 to +125         | -                                 | 14 Ld SOIC                  | M14.15         |
| ISL32602EFBZ-T              | 32602EFBZ    | -40 to +125         | 2.5k                              | 14 Ld SOIC                  | M14.15         |
| ISL32602EFBZ-T7A            | 32602EFBZ    | -40 to +125         | 250                               | 14 Ld SOIC                  | M14.15         |
| ISL32602EFUZ                | 32602        | -40 to +125         | -                                 | 10 Ld MSOP                  | M10.118        |
| ISL32602EFUZ-T              | 32602        | -40 to +125         | 2.5k                              | 10 Ld MSOP                  | M10.118        |
| ISL32602EFUZ-T7A            | 32602        | -40 to +125         | 250                               | 10 Ld MSOP                  | M10.118        |
| ISL32603EFBZ                | 32603 EFBZ   | -40 to +125         | -                                 | 8 Ld SOIC                   | M8.15          |
| ISL32603EFBZ-T              | 32603 EFBZ   | -40 to +125         | 2.5k                              | 8 Ld SOIC                   | M8.15          |
| ISL32603EFBZ-T7A            | 32603 EFBZ   | -40 to +125         | 250                               | 8 Ld SOIC                   | M8.15          |
| ISL32603EFUZ                | 32603        | -40 to +125         | -                                 | 8 Ld MSOP                   | M8.118         |
| ISL32603EFUZ-T              | 32603        | -40 to +125         | 2.5k                              | 8 Ld MSOP                   | M8.118         |
| ISL32603EFUZ-T7A            | 32603        | -40 to +125         | 250                               | 8 Ld MSOP                   | M8.118         |

## NOTES:

- See [TB347](#) for details about reel specifications.
- These Pb-free plastic packaged products employ special Pb-free material sets, molding compounds/die attach materials, and 100% matte tin plate plus anneal (e3 termination finish, which is RoHS compliant and compatible with both SnPb and Pb-free soldering operations). Pb-free products are MSL classified at Pb-free peak reflow temperatures that meet or exceed the Pb-free requirements of IPC/JEDEC J STD-020.
- For Moisture Sensitivity Level (MSL), see the [ISL32600E](#), [ISL32601E](#), [ISL32602E](#), and [ISL32603E](#) device information pages. For more information about MSL, see [TB363](#).

TABLE 1. SUMMARY OF FEATURES

| PART NUMBER | SUPPLY RANGE (V) | HALF/FULL DUPLEX | DATA RATE (kbps) | SLEW-RATE LIMITED? | HOT PLUG? | # DEVICES ON BUS | RX/TX ENABLE? | QUIESCENT I <sub>CC</sub> (μA) | LOW POWER SHUTDOWN? | PIN COUNT |
|-------------|------------------|------------------|------------------|--------------------|-----------|------------------|---------------|--------------------------------|---------------------|-----------|
| ISL32600E   | 2.7 to 3.6       | FULL             | 128 - 256        | YES                | YES       | 256              | YES           | 60 at 3V                       | YES                 | 10, 14    |
| ISL32601E   | 2.7 to 3.6       | HALF             | 128 - 256        | YES                | YES       | 256              | YES           | 60 at 3V                       | YES                 | 8         |
| ISL32602E   | 1.8 to 3.6       | FULL             | 256 - 460        | YES                | YES       | 256              | YES           | 105 at 1.8V                    | YES                 | 10, 14    |
| ISL32603E   | 1.8 to 3.6       | HALF             | 256 - 460        | YES                | YES       | 256              | YES           | 105 at 1.8V                    | YES                 | 8         |

## Pin Configurations

ISL32601E, ISL32603E  
(8 LD MSOP, SOIC)  
TOP VIEW



ISL32600E, ISL32602E  
(10 LD MSOP)  
TOP VIEW



ISL32600E, ISL32602E  
(14 LD SOIC)  
TOP VIEW



## Pin Descriptions

| PIN                    | 8 LD PACKAGE | 10 LD PACKAGE | 14 LD PACKAGE | FUNCTION   |
|------------------------|--------------|---------------|---------------|--|
| RO                     | 1            | 1             | 2             | Receiver output: If $A-B \geq 200\text{mV}$ , RO is high; if $A-B \leq -200\text{mV}$ , RO is low; if A and B are unconnected (floating), RO = high.   |
| $\overline{\text{RE}}$ | 2            | 2             | 3             | Receiver output enable. RO is enabled when $\overline{\text{RE}}$ is low; RO is high impedance when $\overline{\text{RE}}$ is high. If the Rx enable function is not required, connect $\overline{\text{RE}}$ directly to GND. |
| DE                     | 3            | 3             | 4             | Driver output enable. The driver outputs, Y and Z, are enabled by bringing DE high, and are high impedance when DE is low. If the Tx enable function is not required, connect DE to $V_{\text{CC}}$ .                          |
| DI                     | 4            | 4             | 5             | Driver input. A low on DI forces output Y low and output Z high. Similarly, a high on DI forces output Y high and output Z low.  |
| GND                    | 5            | 5             | 6, 7          | Ground connection.   |
| A/Y                    | 6            | -             | -             | $\pm 15\text{kV}$ IEC61000 ESD protected RS-485/422 level, noninverting receiver input and noninverting driver output. Pin is an input if DE = 0; pin is an output if DE = 1.  |
| B/Z                    | 7            | -             | -             | $\pm 15\text{kV}$ IEC61000 ESD protected RS-485/422 level, inverting receiver input and inverting driver output. Pin is an input if DE = 0; pin is an output if DE = 1.  |
| A                      | -            | 9             | 12            | $\pm 15\text{kV}$ IEC61000 ESD protected RS-485/422 level, noninverting receiver input.  |
| B                      | -            | 8             | 11            | $\pm 15\text{kV}$ IEC61000 ESD protected RS-485/422 level, inverting receiver input.   |
| Y                      | -            | 6             | 9             | $\pm 15\text{kV}$ IEC61000 ESD protected RS-485/422 level, noninverting driver output.   |
| Z                      | -            | 7             | 10            | $\pm 15\text{kV}$ IEC61000 ESD protected RS-485/422 level, inverting driver output.  |
| $V_{\text{CC}}$        | 8            | 10            | 14            | System power supply input (2.7V to 3.6V for the ISL32600E and ISL32601E; 1.8V to 3.6V for the ISL32602E and ISL32603E).  |
| NC                     | -            | -             | 1, 8, 13      | No internal connection.  |

## Truth Tables

| TRANSMITTING    |    |    |          |          |
|-----------------|----|----|----------|----------|
| INPUTS          |    |    | OUTPUTS  |          |
| $\overline{RE}$ | DE | DI | Z        | Y        |
| X               | 1  | 1  | 0        | 1        |
| X               | 1  | 0  | 1        | 0        |
| 0               | 0  | X  | High-Z   | High-Z   |
| 1               | 0  | X  | High-Z * | High-Z * |

NOTE: \*Shutdown Mode (See [Note 11](#)).

## Truth Tables (continued)

| RECEIVING       |                   |                   |                         |              |
|-----------------|-------------------|-------------------|-------------------------|--------------|
| INPUTS          |                   |                   |                         | OUTPUT       |
| $\overline{RE}$ | DE<br>Half Duplex | DE<br>Full Duplex | A-B                     | RO           |
| 0               | 0                 | X                 | $V_{AB} \geq 0.2V$      | 1            |
| 0               | 0                 | X                 | $0.2V > V_{AB} > -0.2V$ | Undetermined |
| 0               | 0                 | X                 | $V_{AB} \leq -0.2V$     | 0            |
| 0               | 0                 | X                 | Inputs Open             | 1            |
| 1               | 0                 | 0                 | X                       | High-Z *     |
| 1               | 1                 | 1                 | X                       | High-Z       |

NOTE: \*Shutdown Mode (See [Note 11](#)).

### Absolute Maximum Ratings

|   |                                  |
|---|----------------------------------|
| V <sub>CC</sub> to GND                        | 7V                               |
| Input Voltages                                |                                  |
| DI, DE, RE                                    | -0.3V to 7V                      |
| Input/Output Voltages                         |                                  |
| A, B,   | -8V to +13V                      |
| A/Y, B/Z, Y, Z (V <sub>CC</sub> = 0V or ≥ 3V) | -8V to +13V                      |
| A/Y, B/Z, Y, Z (1.8V ≤ V <sub>CC</sub> < 3V)  | -8V to +11V                      |
| RO  | -0.3V to (V <sub>CC</sub> +0.3V) |
| Short-Circuit Duration                        |                                  |
| Y, Z,   | Indeterminate                    |
| ESD Rating                                    | See Specification Table          |
| Latch-Up (per JESD78, Level 2, Class A)       | +125 °C                          |

### Thermal Information

|   |                           |                        |
|---|---------------------------|------------------------|
| Thermal Resistance (Typical, <a href="#">Notes 4, 5</a> ) | θ <sub>JA</sub> (°C/W)    | θ <sub>JC</sub> (°C/W) |
| 8 Ld SOIC Package   | 105                       | 47                     |
| 8 Ld MSOP Package   | 140                       | 40                     |
| 10 Ld MSOP Package  | 160                       | 59                     |
| 14 Ld SOIC Package  | 128                       | 39                     |
| Maximum Junction Temperature (Plastic Package)            | +150 °C                   |                        |
| Maximum Storage Temperature Range                         | -65 °C to +150 °C         |                        |
| Pb-Free Reflow Profile                                    | see <a href="#">TB493</a> |                        |

### Recommended Operating Conditions

|                              |                             |
|------------------------------|-----------------------------|
| Supply Voltage Range         |                             |
| ISL32600E, ISL32601E         | 3V to 3.3V                  |
| ISL32602E, ISL32603E         | 1.8V to 3.3V                |
| Differential Load Resistance |                             |
| ISL32600E, ISL32601E         | 60Ω or 120Ω                 |
| ISL32602E, ISL32603E         | ≥10kΩ at 1.8V; 120Ω at 3.3V |
| Common-Mode Range            |                             |
| ISL32600E, ISL32601E         | -7V to +12V                 |
| ISL32602E, ISL32603E         |                             |
| V <sub>CC</sub> = 1.8V       | -2V to +2V                  |
| V <sub>CC</sub> = 3.3V       | -7V to +12V                 |
| Temperature Range            | -40 °C to +125 °C           |

**CAUTION:** Do not operate at or near the maximum ratings listed for extended periods of time. Exposure to such conditions can adversely impact product reliability and result in failures not covered by warranty.

**NOTES:**

- θ<sub>JA</sub> is measured with the component mounted on a high-effective thermal conductivity test board in free air. See [TB379](#) for details.
- For θ<sub>JC</sub>, the “case temp” location is taken at the package top center.

**ISL32600E, ISL32601E Electrical Specifications** Test Conditions: V<sub>CC</sub> = 2.7V to 3.6V; typical values are at V<sub>CC</sub> = 3V, T<sub>A</sub> = +25 °C; unless otherwise specified. **Boldface limits apply across the operating temperature range.** ([Note 6](#))

| PARAMETER   | SYMBOL           | TEST CONDITIONS   | TEMP (°C)                                      | MIN ( <a href="#">Note 15</a> ) | TYP        | MAX ( <a href="#">Note 15</a> ) | UNIT            |    |
|---|------------------|---|--|---------------------------------|------------|---------------------------------|-----------------|----|
| <b>DC CHARACTERISTICS</b>   |                  |   |  |                                 |            |                                 |                 |    |
| Driver Differential V <sub>OUT</sub>  | V <sub>OD</sub>  | R <sub>L</sub> = 100Ω (RS-422) ( <a href="#">Figure 5A</a> , V <sub>CC</sub> ≥ 3.15V)                 | Full   | <b>1.95</b>                     | 2.1        | -                               | V               |    |
|   |                  | R <sub>L</sub> = 54Ω (RS-485) ( <a href="#">Figure 5A</a> )   | V <sub>CC</sub> = 2.7V                         | Full                            | <b>1.2</b> | 1.5                             | V <sub>CC</sub> | V  |
|   |                  |   | V <sub>CC</sub> ≥ 3V                           | Full                            | <b>1.4</b> | 1.7                             | V <sub>CC</sub> | V  |
|   |                  | No Load   | Full   | -                               | -          | V <sub>CC</sub>                 | V               |    |
|   |                  | R <sub>L</sub> = 60Ω, -7V ≤ V <sub>CM</sub> ≤ 12V ( <a href="#">Figure 5B</a> , V <sub>CC</sub> ≥ 3V) | Full   | <b>1.3</b>                      | -          | -                               | V               |    |
| Change in Magnitude of Driver Differential V <sub>OUT</sub> for Complementary Output States | ΔV <sub>OD</sub> | R <sub>L</sub> = 54Ω or 100Ω ( <a href="#">Figure 5A</a> )  | Full   | -                               | 0.01       | <b>0.2</b>                      | V               |    |
| Driver Common-Mode V <sub>OUT</sub>   | V <sub>OC</sub>  | R <sub>L</sub> = 54Ω or 100Ω ( <a href="#">Figure 5A</a> )  | Full   | -                               | -          | <b>3</b>                        | V               |    |
| Change in Magnitude of Driver Common-Mode V <sub>OUT</sub> for Complementary Output States  | ΔV <sub>OC</sub> | R <sub>L</sub> = 54Ω or 100Ω ( <a href="#">Figure 5A</a> )  | Full   | -                               | 0.01       | <b>0.2</b>                      | V               |    |
| Output Leakage Current (Y, Z) (Full Duplex Versions Only)                                   | I <sub>OZD</sub> | DE = 0V, V <sub>CC</sub> = 0V (-7V ≤ V <sub>IN</sub> ≤ 12V) or 2.7V ≤ V <sub>CC</sub> ≤ 3.6V          | V <sub>IN</sub> = 12V (V <sub>CC</sub> ≥ 3V)   | Full                            | -          | 3                               | <b>60</b>       | μA |
|   |                  |   | V <sub>IN</sub> = 10V (V <sub>CC</sub> = 2.7V) | Full                            | -          | 3                               | <b>60</b>       | μA |
|   |                  |   | V <sub>IN</sub> = -7V                          | Full                            | <b>-30</b> | -10                             | -               | μA |
| Driver Short-Circuit Current, V <sub>O</sub> = High or Low                                  | I <sub>OSD</sub> | DE = V <sub>CC</sub> , -7V ≤ V <sub>Y</sub> or V <sub>Z</sub> ≤ 12V ( <a href="#">Note 8</a> )        | Full   | -                               | -          | <b>±250</b>                     | mA              |    |
| Logic Input High Voltage  | V <sub>IH</sub>  | DI, DE, RE  | Full   | <b>2</b>                        | -          | -                               | V               |    |
| Logic Input Low Voltage   | V <sub>IL</sub>  | DI, DE, RE  | Full   | -                               | -          | <b>0.7</b>                      | V               |    |

**ISL32600E, ISL32601E Electrical Specifications** Test Conditions:  $V_{CC} = 2.7V$  to  $3.6V$ ; typical values are at  $V_{CC} = 3V$ ,  $T_A = +25^\circ C$ ; unless otherwise specified. **Boldface limits apply across the operating temperature range.** (Note 6) (Continued)

| PARAMETER  | SYMBOL          | TEST CONDITIONS   | TEMP<br>(°C)                                    | MIN<br>(Note 15) | TYP         | MAX<br>(Note 15)           | UNIT       |         |
|--|-----------------|---|---|------------------|-------------|----------------------------|------------|---------|
| Logic Input Current                                  | $I_{IN1}$       | $DI = DE = \overline{RE} = 0V$ or $V_{CC}$ (Note 14)                                      | Full  | <b>-1</b>        | -           | <b>1</b>                   | $\mu A$    |         |
| Input Current (A, B, A/Y, B/Z)                       | $I_{IN2}$       | $DE = 0V, V_{CC} = 0V$<br>$(-7V \leq V_{IN} \leq 12V)$ or<br>$2.7V \leq V_{CC} \leq 3.6V$ | $V_{IN} = 12V (V_{CC} \geq 2.7V$<br>for A, B)   | Full             | -           | 80                         | <b>125</b> | $\mu A$ |
|  |                 |   | $V_{IN} = 12V (V_{CC} \geq 3V$<br>for A/Y, B/Z) | Full             | -           | 80                         | <b>125</b> | $\mu A$ |
|  |                 |   | $V_{IN} = 10V (V_{CC} = 2.7V$<br>for A/Y, B/Z)  | Full             | -           | 80                         | <b>125</b> | $\mu A$ |
|  |                 |   | $V_{IN} = -7V$                                  | Full             | <b>-100</b> | -50                        | -          | $\mu A$ |
| Receiver Differential Threshold Voltage              | $V_{TH}$        | $-7V \leq V_{CM} \leq 12V$  | Full  | <b>-200</b>      | 0           | <b>200</b>                 | mV         |         |
| Receiver Input Hysteresis                            | $\Delta V_{TH}$ | $-7V \leq V_{CM} \leq 12V$  | Full  | -                | 40          | -                          | mV         |         |
| Receiver Output High Voltage                         | $V_{OH}$        | $I_O = -4mA, V_{ID} = 200mV$  | Full  | $V_{CC} - 0.5$   | -           | -                          | V          |         |
| Receiver Output Low Voltage                          | $V_{OL}$        | $I_O = 4mA, V_{ID} = -200mV$  | Full  | -                | -           | <b>0.4</b>                 | V          |         |
| Three-State (High Impedance) Receiver Output Current | $I_{OZR}$       | $0V \leq V_O \leq V_{CC}, \overline{RE} = V_{CC}$   | Full  | <b>-1</b>        | -           | <b>1</b>                   | $\mu A$    |         |
| Receiver Short-Circuit Current                       | $I_{OSR}$       | $0V \leq V_O \leq V_{CC}$   | Full  | -                | 30          | <b><math>\pm 60</math></b> | mA         |         |
| <b>SUPPLY CURRENT</b>                                |                 |   |   |                  |             |                            |            |         |
| No-Load Supply Current (Note 7)                      | $I_{CC}$        | $DI = 0V$ or $V_{CC},$<br>$DE = V_{CC}, \overline{RE} = 0V$ or<br>$V_{CC}$                | $V_{CC} = 3V$                                   | Full             | -           | 60                         | <b>100</b> | $\mu A$ |
|  |                 |   | $V_{CC} = 3.6V$                                 | Full             | -           | 70                         | <b>120</b> | $\mu A$ |
|  |                 | $DI = 0V$ or $V_{CC},$ Rx Only<br>( $DE = 0V, \overline{RE} = 0V$ )                       | $V_{CC} = 3V$                                   | Full             | -           | 42                         | <b>65</b>  | $\mu A$ |
|  |                 |   | $V_{CC} = 3.6V$                                 | Full             | -           | 46                         | <b>80</b>  | $\mu A$ |
| Shutdown Supply Current                              | $I_{SHDN}$      | $DE = 0V, \overline{RE} = V_{CC}, DI = 0V$ or $V_{CC}$                                    | Full  | -                | 0.01        | <b>1</b>                   | $\mu A$    |         |
| <b>ESD PERFORMANCE</b>                               |                 |   |   |                  |             |                            |            |         |
| RS-485 Pins (A, Y, B, Z, A/Y, B/Z)                   |                 | IEC61000-4-2, Air-Gap Discharge Method  | 25  | -                | $\pm 15$    | -                          | kV         |         |
|  |                 | IEC61000-4-2, Contact Discharge Method  | 25  | -                | $\pm 8$     | -                          | kV         |         |
|  |                 | Human Body Model, from Bus Pins to GND  | 25  | -                | $\pm 15$    | -                          | kV         |         |
| All Pins   |                 | HBM, per MIL-STD-883 Method 3015  | 25  | -                | $\pm 8$     | -                          | kV         |         |
|  |                 | Machine Model   | 25  | -                | 400         | -                          | V          |         |
| <b>SWITCHING CHARACTERISTICS</b>                     |                 |   |   |                  |             |                            |            |         |
| Maximum Data Rate                                    | $f_{MAX}$       | $R_{DIFF} = 54\Omega,$<br>(Figures 8, 9)  | $V_{CC} = 2.7V$                                 | Full             | <b>128</b>  | -                          | -          | kbps    |
|  |                 |   | $V_{CC} \geq 3V$                                | Full             | <b>256</b>  | -                          | -          | kbps    |
| Driver Differential Output Delay                     | $t_{DD}$        | $R_{DIFF} = 54\Omega, C_D = 50pF$ (Figure 6)  | Full  | -                | 340         | <b>600</b>                 | ns         |         |
| Driver Differential Output Skew                      | $t_{SKEW}$      | $R_{DIFF} = 54\Omega, C_D = 50pF$ (Figure 6)  | Full  | -                | <b>1</b>    | <b>30</b>                  | ns         |         |
| Driver Differential Rise or Fall Time                | $t_R, t_F$      | $R_{DIFF} = 54\Omega, C_D = 50pF$ (Figure 6)  | Full  | <b>200</b>       | 400         | <b>1000</b>                | ns         |         |
| Driver Enable to Output High                         | $t_{ZH}$        | $R_L = 1k\Omega, C_L = 50pF, SW = GND$ (Figure 7),<br>(Note 9)                            | Full  | -                | -           | <b>1000</b>                | ns         |         |
| Driver Enable to Output Low                          | $t_{ZL}$        | $R_L = 1k\Omega, C_L = 50pF, SW = V_{CC}$ (Figure 7),<br>(Note 9)                         | Full  | -                | -           | <b>1000</b>                | ns         |         |
| Driver Disable from Output High                      | $t_{HZ}$        | $R_L = 1k\Omega, C_L = 50pF, SW = GND$ (Figure 7)   | Full  | -                | -           | <b>150</b>                 | ns         |         |
| Driver Disable from Output Low                       | $t_{LZ}$        | $R_L = 1k\Omega, C_L = 50pF, SW = V_{CC}$ (Figure 7)                                      | Full  | -                | -           | <b>150</b>                 | ns         |         |
| Driver Enable from Shutdown to Output High           | $t_{ZH(SHDN)}$  | $R_L = 1k\Omega, C_L = 50pF, SW = GND$ (Figure 7),<br>(Notes 11, 12)                      | Full  | -                | -           | <b>10</b>                  | $\mu s$    |         |

**ISL32600E, ISL32601E Electrical Specifications** Test Conditions:  $V_{CC} = 2.7V$  to  $3.6V$ ; typical values are at  $V_{CC} = 3V$ ,  $T_A = +25^\circ C$ ; unless otherwise specified. **Boldface limits apply across the operating temperature range.** (Note 6) (Continued)

| PARAMETER                                    | SYMBOL                | TEST CONDITIONS   | TEMP<br>(°C) | MIN<br>(Note 15) | TYP | MAX<br>(Note 15) | UNIT    |
|--|-----------------------|---|--------------|------------------|-----|------------------|---------|
| Driver Enable from Shutdown to Output Low    | $t_{ZL(SHDN)}$        | $R_L = 1k\Omega$ , $C_L = 50pF$ , $SW = V_{CC}$ (Figure 7), (Notes 11, 12)  | Full         | -                | -   | <b>10</b>        | $\mu s$ |
| Time to Shutdown                             | $t_{SHDN}$            | (Note 11)   | Full         | <b>50</b>        | -   | <b>600</b>       | ns      |
| Receiver Input to Output Delay               | $t_{PLH}$ , $t_{PHL}$ | (Figure 9)  | Full         | -                | 750 | <b>1300</b>      | ns      |
| Receiver Skew   $t_{PLH} - t_{PHL}$          | $t_{SKD}$             | (Figure 9)  | Full         | -                | 115 | <b>300</b>       | ns      |
| Receiver Enable to Output High               | $t_{ZH}$              | $R_L = 1k\Omega$ , $C_L = 15pF$ , $SW = GND$ (Figure 10), (Note 10)         | Full         | -                | -   | <b>50</b>        | ns      |
| Receiver Enable to Output Low                | $t_{ZL}$              | $R_L = 1k\Omega$ , $C_L = 15pF$ , $SW = V_{CC}$ (Figure 10), (Note 10)      | Full         | -                | -   | <b>50</b>        | ns      |
| Receiver Disable from Output High            | $t_{HZ}$              | $R_L = 1k\Omega$ , $C_L = 15pF$ , $SW = GND$ (Figure 10)                    | Full         | -                | 12  | <b>50</b>        | ns      |
| Receiver Disable from Output Low             | $t_{LZ}$              | $R_L = 1k\Omega$ , $C_L = 15pF$ , $SW = V_{CC}$ (Figure 10)                 | Full         | -                | 13  | <b>50</b>        | ns      |
| Receiver Enable from Shutdown to Output High | $t_{ZH(SHDN)}$        | $R_L = 1k\Omega$ , $C_L = 15pF$ , $SW = GND$ (Figure 10), (Notes 11, 13)    | Full         | -                | -   | <b>12</b>        | $\mu s$ |
| Receiver Enable from Shutdown to Output Low  | $t_{ZL(SHDN)}$        | $R_L = 1k\Omega$ , $C_L = 15pF$ , $SW = V_{CC}$ (Figure 10), (Notes 11, 13) | Full         | -                | -   | <b>12</b>        | $\mu s$ |

**ISL32602E, ISL32603E Electrical Specifications** Test Conditions:  $V_{CC} = 1.8V$  to  $3.6V$ ; Typical values are at  $V_{CC} = 1.8V$ ,  $T_A = +25^\circ C$ ; unless otherwise specified. **Boldface limits apply across the operating temperature range.** (Note 6)

| PARAMETER  | SYMBOL          | TEST CONDITIONS  | TEMP<br>(°C)                         | MIN<br>(Note 15) | TYP         | MAX<br>(Note 15) | UNIT                        |         |
|--|-----------------|--|--------------------------------------|------------------|-------------|------------------|-----------------------------|---------|
| <b>DC CHARACTERISTICS</b>  |                 |  |                                      |                  |             |                  |                             |         |
| Driver Differential $V_{OUT}$  | $V_{OD}$        | $R_L = 100\Omega$ (RS-422) (Figure 5A)   | $V_{CC} = 1.8V$                      | Full             | <b>0.8</b>  | 0.9              | -                           | V       |
|  |                 |  | $V_{CC} \geq 3.15V$                  | Full             | <b>1.95</b> | 2.25             | -                           | V       |
|  |                 | No Load, $V_{CC} = 1.8V$   |                                      | Full             | <b>1.1</b>  | 1.4              | $V_{CC}$                    |         |
|  |                 | $R_L = 54\Omega$ (RS-485) (Figure 5A, $V_{CC} \geq 3V$ )   |                                      | Full             | <b>1.5</b>  | 1.95             | -                           | V       |
|  |                 | $R_L = 60\Omega$ , $-7V \leq V_{CM} \leq 12V$ (Figure 5B, $V_{CC} \geq 3V$ )   |                                      | Full             | <b>1.3</b>  | -                | -                           | V       |
| Change in Magnitude of Driver Differential $V_{OUT}$ for Complementary Output States | $\Delta V_{OD}$ | $R_L = 100\Omega$ (Figure 5A)  |                                      | Full             | -           | 0.01             | <b>0.2</b>                  | V       |
| Driver Common-Mode $V_{OUT}$   | $V_{OC}$        | $R_L = 100\Omega$ (Figure 5A)  |                                      | Full             | -           | -                | <b>3</b>                    | V       |
| Change in Magnitude of Driver Common-Mode $V_{OUT}$ for Complementary Output States  | $\Delta V_{OC}$ | $R_L = 100\Omega$ (Figure 5A)  |                                      | Full             | -           | 0.01             | <b>0.2</b>                  | V       |
| Output Leakage Current (Y, Z) (Full Duplex Versions Only)                            | $I_{OZD}$       | DE = 0V, $V_{CC} = 0V$ ( $-7V \leq V_{IN} \leq 12V$ ) or 1.8V or $3V \leq V_{CC} \leq 3.6V$  | $V_{OUT} = 12V$ ( $V_{CC} \geq 3V$ ) | Full             | -           | <b>1</b>         | <b>60</b>                   | $\mu A$ |
|  |                 |  | $V_{OUT} = 10V$ ( $V_{CC} = 1.8V$ )  | Full             | -           | <b>1</b>         | <b>60</b>                   | $\mu A$ |
|  |                 |  | $V_{OUT} = -7V$                      | Full             | <b>-30</b>  | -10              | -                           | $\mu A$ |
| Driver Short-Circuit Current, $V_O =$ High or Low                                    | $I_{OSD}$       | DE = $V_{CC}$ , $-7V \leq V_Y$ or $V_Z \leq 12V$ ( $3.0V \leq V_{CC} \leq 3.6V$ ) or $-7V \leq V_Y$ or $V_Z \leq 10V$ ( $V_{CC} = 1.8V$ ) (Note 8) |                                      | Full             | -           | -                | <b><math>\pm 250</math></b> | mA      |
| Logic Input High Voltage   | $V_{IH}$        | DI, DE, $\overline{RE}$  | $V_{CC} \geq 1.8V$                   | Full             | <b>1.26</b> | -                | -                           | V       |
|  |                 |  | $V_{CC} \geq 3V$                     | Full             | <b>2</b>    | -                | -                           | V       |
| Logic Input Low Voltage  | $V_{IL}$        | DI, DE, $\overline{RE}$  | $V_{CC} \geq 1.8V$                   | Full             | -           | -                | <b>0.4</b>                  | V       |
|  |                 |  | $V_{CC} \geq 3V$                     | Full             | -           | -                | <b>0.8</b>                  | V       |
| Logic Input Current  | $I_{IN1}$       | DI = DE = $\overline{RE} = 0V$ or $V_{CC}$ (Note 14)   |                                      | Full             | <b>-1</b>   | -                | <b>1</b>                    | $\mu A$ |



**ISL32602E, ISL32603E Electrical Specifications** Test Conditions:  $V_{CC} = 1.8V$  to  $3.6V$ ; Typical values are at  $V_{CC} = 1.8V$ ,  $T_A = +25^\circ C$ ; unless otherwise specified. **Boldface limits apply across the operating temperature range.** (Note 6) (Continued)

| PARAMETER   | SYMBOL          | TEST CONDITIONS   |  | TEMP<br>(°C)                     | MIN<br>(Note 15) | TYP                        | MAX<br>(Note 15) | UNIT       |         |
|---|-----------------|---|--|----------------------------------|------------------|----------------------------|------------------|------------|---------|
| Input Current (A, B, A/Y, B/Z)                          | $I_{IN2}$       | DE = 0V, $V_{CC} = 0V$<br>( $-7V \leq V_{IN} \leq 12V$ ) or<br>1.8V or<br>$3V \leq V_{CC} \leq 3.6V$          | $V_{IN} = 12V$ (A, B Only)   | Full                             | -                | 80                         | <b>125</b>       | $\mu A$    |         |
|   |                 |   | $V_{IN} = 12V$ ( $V_{CC} \geq 3V$ for A/Y,<br>B/Z)                   | Full                             | -                | 80                         | <b>125</b>       | $\mu A$    |         |
|   |                 |   | $V_{IN} = 10V$ ( $V_{CC} = 1.8V$ for<br>A/Y, B/Z)                    | Full                             | -                | 80                         | <b>125</b>       | $\mu A$    |         |
|   |                 |   | $V_{IN} = -7V$   | Full                             | <b>-100</b>      | -50                        | -                | $\mu A$    |         |
| Receiver Differential Threshold Voltage                 | $V_{TH}$        | $-7V \leq V_Y$ or $V_Z \leq 2V$ at $V_{CC} = 1.8V$ or $-7V \leq V_Y$ or<br>$V_Z \leq 12V$ at $V_{CC} \geq 3V$ | Full   | <b>-200</b>                      | 0                | <b>200</b>                 | mV               |            |         |
| Receiver Input Hysteresis                               | $\Delta V_{TH}$ | $-7V \leq V_Y$ or $V_Z \leq 2V$ at $V_{CC} = 1.8V$ or $-7V \leq V_Y$ or<br>$V_Z \leq 12V$ at $V_{CC} \geq 3V$ | Full   | -                                | 65               | -                          | mV               |            |         |
| Receiver Output High Voltage                            | $V_{OH}$        | $I_O = -1mA$ , $V_{ID} = 200mV$   | Full   | <b><math>V_{CC} - 0.4</math></b> | -                | -                          | V                |            |         |
| Receiver Output Low Voltage                             | $V_{OL}$        | $I_O = 2.2mA$ , $V_{ID} = -200mV$   | Full   | -                                | -                | <b>0.4</b>                 | V                |            |         |
| Three-State (High Impedance)<br>Receiver Output Current | $I_{OZR}$       | $0V \leq V_O \leq V_{CC}$ , $\overline{RE} = V_{CC}$  | Full   | <b>-1</b>                        | -                | <b>1</b>                   | $\mu A$          |            |         |
| Receiver Short-Circuit Current                          | $I_{OSR}$       | $0V \leq V_O \leq V_{CC}$   | Full   | -                                | -                | <b><math>\pm 60</math></b> | mA               |            |         |
| <b>SUPPLY CURRENT</b>                                   |                 |   |  |                                  |                  |                            |                  |            |         |
| No-Load Supply Current (Note 7)                         | $I_{CC}$        | DI = 0V or $V_{CC}$ ,<br>DE = $V_{CC}$ , $\overline{RE} = 0V$ or<br>$V_{CC}$                                  | $V_{CC} = 1.8V$  | Full                             | -                | 105                        | <b>150</b>       | $\mu A$    |         |
|   |                 |   | $V_{CC} = 3.6V$  | Full                             | -                | 150                        | <b>350</b>       | $\mu A$    |         |
|   |                 |   | DI = 0V or $V_{CC}$ , Rx Only<br>(DE = 0V,<br>$\overline{RE} = 0V$ ) | $V_{CC} = 1.8V$                  | Full             | -                          | 90               | <b>115</b> | $\mu A$ |
|   |                 |   | $V_{CC} = 3.6V$  | Full                             | -                | 125                        | <b>260</b>       | $\mu A$    |         |
| Shutdown Supply Current                                 | $I_{SHDN}$      | DE = 0V, $\overline{RE} = V_{CC}$ , DI = 0V or $V_{CC}$   | Full   | -                                | -                | <b>1</b>                   | $\mu A$          |            |         |
| <b>ESD PERFORMANCE</b>                                  |                 |   |  |                                  |                  |                            |                  |            |         |
| RS-485 Pins (A, Y, B, Z, A/Y, B/Z)                      |                 | IEC61000-4-2, Air-Gap Discharge Method  |  | 25                               | -                | $\pm 15$                   | -                | kV         |         |
|   |                 | IEC61000-4-2, Contact Discharge Method  |  | 25                               | -                | $\pm 8$                    | -                | kV         |         |
|   |                 | Human Body Model, from Bus Pins to GND  |  | 25                               | -                | $\pm 15$                   | -                | kV         |         |
| All Pins  |                 | HBM, per MIL-STD-883 Method 3015  |  | 25                               | -                | $\pm 8$                    | -                | kV         |         |
|   |                 | Machine Model   |  | 25                               | -                | 400                        | -                | V          |         |
| <b>SWITCHING CHARACTERISTICS</b>                        |                 |   |  |                                  |                  |                            |                  |            |         |
| Maximum Data Rate                                       | $f_{MAX}$       | (Figure 8, 9)   | $V_{CC} = 1.8V$ , $R_{DIFF} = \infty$                                | Full                             | <b>256</b>       | -                          | -                | kbps       |         |
|   |                 |   | $V_{CC} \geq 3V$ , $R_{DIFF} = 54\Omega$                             | Full                             | <b>460</b>       | -                          | -                | kbps       |         |
| Driver Differential Output Delay                        | $t_{DD}$        | $C_D = 50pF$ (Figure 6)   | $V_{CC} = 1.8V$ , $R_{DIFF} = \infty$                                | Full                             | -                | 750                        | <b>2600</b>      | ns         |         |
|   |                 |   | $V_{CC} \geq 3V$ , $R_{DIFF} = 54\Omega$                             | Full                             | -                | 350                        | <b>1500</b>      | ns         |         |
| Driver Differential Output Skew                         | $t_{SKEW}$      | $C_D = 50pF$ (Figure 6)   | $V_{CC} = 1.8V$ , $R_{DIFF} = \infty$                                | Full                             | -                | 120                        | <b>220</b>       | ns         |         |
|   |                 |   | $V_{CC} \geq 3V$ , $R_{DIFF} = 54\Omega$                             | Full                             | -                | 2                          | <b>100</b>       | ns         |         |
| Driver Differential Rise or Fall Time                   | $t_R, t_F$      | $C_D = 50pF$ (Figure 6)   | $V_{CC} = 1.8V$ , $R_{DIFF} = \infty$                                | Full                             | <b>150</b>       | 1700                       | <b>4500</b>      | ns         |         |
|   |                 |   | $V_{CC} \geq 3V$ , $R_{DIFF} = 54\Omega$                             | Full                             | <b>200</b>       | 400                        | <b>900</b>       | ns         |         |
| Driver Enable to Output High                            | $t_{ZH}$        | $R_L = 1k\Omega$ , $C_L = 50pF$ , SW = GND (Figure 7), (Note 9)   | Full   | -                                | -                | <b>3000</b>                | ns               |            |         |
| Driver Enable to Output Low                             | $t_{ZL}$        | $R_L = 1k\Omega$ , $C_L = 50pF$ , SW = $V_{CC}$ (Figure 7), (Note 9)  | Full   | -                                | -                | <b>3000</b>                | ns               |            |         |
| Driver Disable from Output High                         | $t_{HZ}$        | $R_L = 1k\Omega$ , $C_L = 50pF$ , SW = GND (Figure 7)   | Full   | -                                | -                | <b>250</b>                 | ns               |            |         |
| Driver Disable from Output Low                          | $t_{LZ}$        | $R_L = 1k\Omega$ , $C_L = 50pF$ , SW = $V_{CC}$ (Figure 7)  | Full   | -                                | -                | <b>250</b>                 | ns               |            |         |

**ISL32602E, ISL32603E Electrical Specifications** Test Conditions:  $V_{CC} = 1.8V$  to  $3.6V$ ; Typical values are at  $V_{CC} = 1.8V$ ,  $T_A = +25^\circ C$ ; unless otherwise specified. **Boldface limits apply across the operating temperature range.** (Note 6) (Continued)

| PARAMETER                                    | SYMBOL                | TEST CONDITIONS   | TEMP (°C) | MIN (Note 15) | TYP | MAX (Note 15) | UNIT |
|--|-----------------------|---|-----------|---------------|-----|---------------|------|
| Driver Enable from Shutdown to Output High   | $t_{ZH(SHDN)}$        | $R_L = 1k\Omega$ , $C_L = 50pF$ , SW = GND (Figure 7), (Notes 11, 12)       | Full      | -             | -   | <b>3000</b>   | ns   |
| Driver Enable from Shutdown to Output Low    | $t_{ZL(SHDN)}$        | $R_L = 1k\Omega$ , $C_L = 50pF$ , SW = $V_{CC}$ (Figure 7), (Notes 11, 12)  | Full      | -             | -   | <b>3000</b>   | ns   |
| Time to Shutdown                             | $t_{SHDN}$            | (Note 11)   | Full      | <b>50</b>     | 500 | <b>1200</b>   | ns   |
| Receiver Input to Output Delay               | $t_{PLH}$ , $t_{PHL}$ | (Figure 9)  | Full      | -             | 180 | <b>1000</b>   | ns   |
| Receiver Skew   $t_{PLH} - t_{PHL}$          | $t_{SKD}$             | (Figure 9)  | Full      | -             | 35  | <b>250</b>    | ns   |
| Receiver Enable to Output High               | $t_{ZH}$              | $R_L = 1k\Omega$ , $C_L = 15pF$ , SW = GND (Figure 10), (Note 10)           | Full      | -             | -   | <b>100</b>    | ns   |
| Receiver Enable to Output Low                | $t_{ZL}$              | $R_L = 1k\Omega$ , $C_L = 15pF$ , SW = $V_{CC}$ (Figure 10), (Note 10)      | Full      | -             | -   | <b>100</b>    | ns   |
| Receiver Disable from Output High            | $t_{HZ}$              | $R_L = 1k\Omega$ , $C_L = 15pF$ , SW = GND (Figure 10)                      | Full      | -             | -   | <b>75</b>     | ns   |
| Receiver Disable from Output Low             | $t_{LZ}$              | $R_L = 1k\Omega$ , $C_L = 15pF$ , SW = $V_{CC}$ (Figure 10)                 | Full      | -             | -   | <b>75</b>     | ns   |
| Receiver Enable from Shutdown to Output High | $t_{ZH(SHDN)}$        | $R_L = 1k\Omega$ , $C_L = 15pF$ , SW = GND (Figure 10), (Notes 11, 13)      | Full      | -             | -   | <b>5500</b>   | ns   |
| Receiver Enable from Shutdown to Output Low  | $t_{ZL(SHDN)}$        | $R_L = 1k\Omega$ , $C_L = 15pF$ , SW = $V_{CC}$ (Figure 10), (Notes 11, 13) | Full      | -             | -   | <b>5500</b>   | ns   |

## NOTES:

- All currents into device pins are positive; all currents out of device pins are negative. All voltages are referenced to device ground unless otherwise specified.
- Supply current specification is valid for loaded drivers when  $DE = 0V$ .
- Applies to peak current. See "Typical Performance Curves" starting on page 13 for more information.
- When testing this parameter, keep  $\overline{RE} = 0$  to prevent the device from entering SHDN.
- When testing this parameter, the  $\overline{RE}$  signal high time must be short enough (typically <100ns) to prevent the device from entering SHDN.
- Devices are put into shutdown by bringing  $\overline{RE}$  high and DE low. If the inputs are in this state for less than 50ns, the parts are assured not to enter shutdown. If the inputs are in this state for at least 600ns (1200ns if  $V_{CC} = 1.8V$ ), the parts are assured to have entered shutdown. See "Low Power Shutdown Mode" on page 19.
- Keep  $\overline{RE} = V_{CC}$ , and set the DE signal low time >600ns (1200ns if  $V_{CC} = 1.8V$ ) to ensure that the device enters SHDN.
- Set the  $\overline{RE}$  signal high time >600ns (1200ns if  $V_{CC} = 1.8V$ ) to ensure that the device enters SHDN.
- If the Tx or Rx enable function is not needed, connect the enable pin to the appropriate supply (see "Pin Descriptions" on page 4).
- Compliance to datasheet limits is assured by one or more methods: production test, characterization, and/or design.

## Test Circuits and Waveforms



FIGURE 5A.  $V_{OD}$  AND  $V_{OC}$

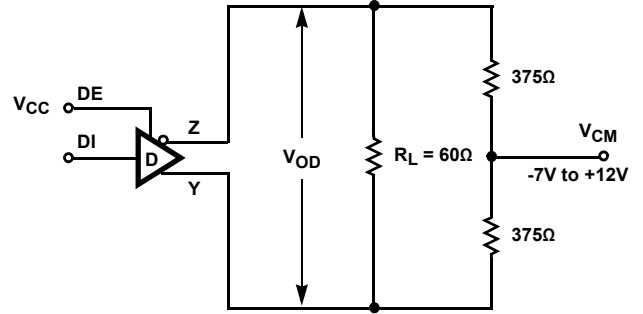


FIGURE 5B.  $V_{OD}$  WITH COMMON MODE LOAD

FIGURE 5. DC DRIVER TEST CIRCUITS



FIGURE 6A. TEST CIRCUIT

FIGURE 6. DRIVER PROPAGATION DELAY AND DIFFERENTIAL TRANSITION TIMES

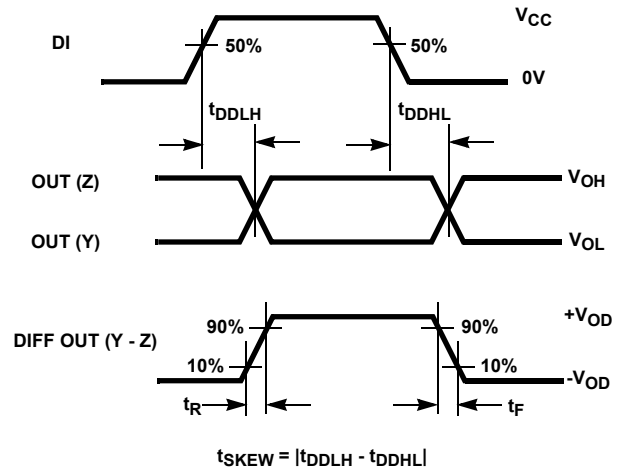


FIGURE 6B. MEASUREMENT POINTS



FIGURE 7A. TEST CIRCUIT

| PARAMETER      | OUTPUT | $\overline{RE}$ | DI  | SW       |
|----------------|--------|-----------------|-----|----------|
| $t_{HZ}$       | Y/Z    | X               | 1/0 | GND      |
| $t_{LZ}$       | Y/Z    | X               | 0/1 | $V_{CC}$ |
| $t_{ZH}$       | Y/Z    | 0 (Note 9)      | 1/0 | GND      |
| $t_{ZL}$       | Y/Z    | 0 (Note 9)      | 0/1 | $V_{CC}$ |
| $t_{ZH(SHDN)}$ | Y/Z    | 1 (Note 12)     | 1/0 | GND      |
| $t_{ZL(SHDN)}$ | Y/Z    | 1 (Note 12)     | 0/1 | $V_{CC}$ |

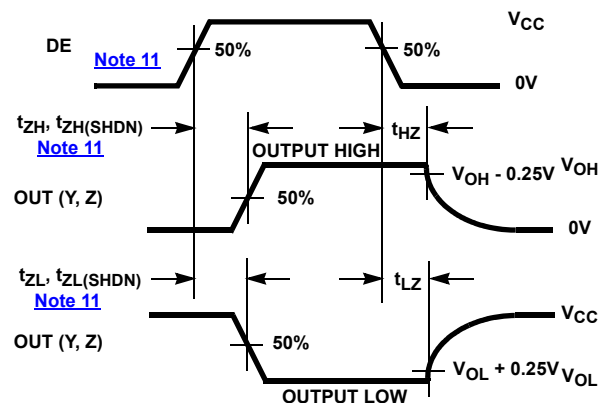


FIGURE 7B. MEASUREMENT POINTS

FIGURE 7. DRIVER ENABLE AND DISABLE TIMES

## Test Circuits and Waveforms (Continued)



FIGURE 8A. TEST CIRCUIT



FIGURE 8B. MEASUREMENT POINTS

FIGURE 8. DRIVER DATA RATE



FIGURE 9A. TEST CIRCUIT



FIGURE 9B. MEASUREMENT POINTS

FIGURE 9. RECEIVER PROPAGATION DELAY AND DATA RATE



FIGURE 10A. TEST CIRCUIT

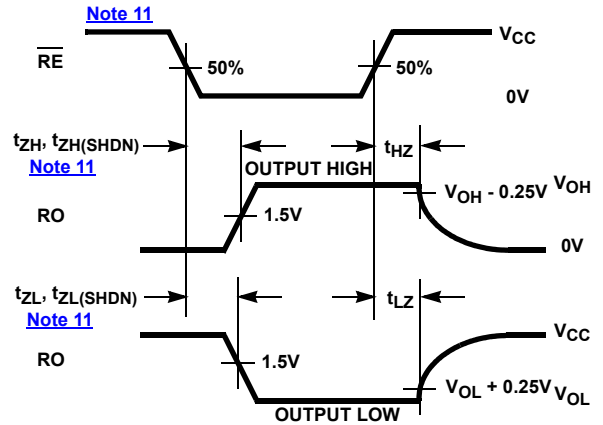


FIGURE 10B. MEASUREMENT POINTS

FIGURE 10. RECEIVER ENABLE AND DISABLE TIMES

| PARAMETER                | DE | A     | SW       |
|--------------------------|----|-------|----------|
| $t_{HZ}$                 | X  | +1.5V | GND      |
| $t_{LZ}$                 | X  | -1.5V | $V_{CC}$ |
| $t_{ZH}$ (Note 10)       | 0  | +1.5V | GND      |
| $t_{ZL}$ (Note 10)       | 0  | -1.5V | $V_{CC}$ |
| $t_{ZH(SHDN)}$ (Note 13) | 0  | +1.5V | GND      |
| $t_{ZL(SHDN)}$ (Note 11) | 0  | -1.5V | $V_{CC}$ |

## Typical Performance Curves

$V_{CC} = 3V$  (ISL32600E, ISL32601E) or  $1.8V$  (ISL32602E, ISL32603E),  $T_A = +25^\circ C$ ; unless otherwise specified



FIGURE 11. ISL32600E, ISL32601E DRIVER DIFFERENTIAL OUTPUT VOLTAGE vs TEMPERATURE

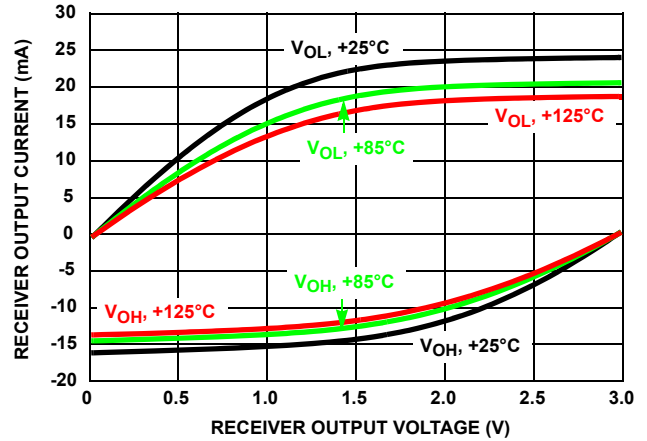


FIGURE 12. ISL32600E, ISL32601E RECEIVER OUTPUT CURRENT vs RECEIVER OUTPUT VOLTAGE



FIGURE 13. ISL32600E, ISL32601E STATIC SUPPLY CURRENT vs TEMPERATURE



FIGURE 14. ISL32600E, ISL32601E DYNAMIC SUPPLY CURRENT vs SUPPLY VOLTAGE AT DIFFERENT DATA RATES



FIGURE 15. ISL32600E, ISL32601E PERFORMANCE WITH  $V_{CC} = 3V$ , 256kbps, 3000ft (915m) CAT 5 CABLE

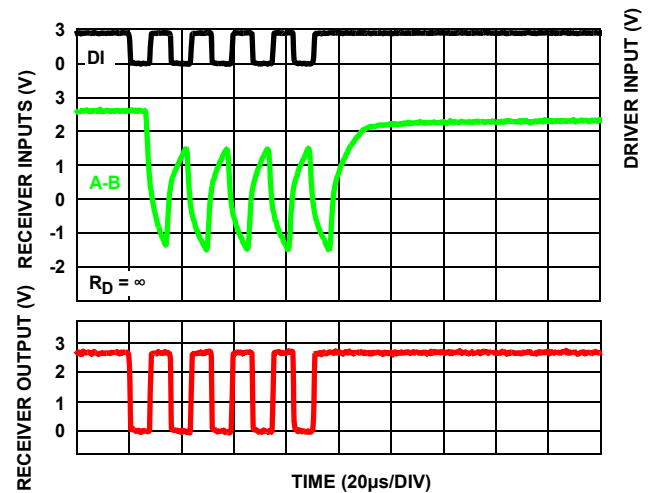


FIGURE 16. ISL32600E, ISL32601E PERFORMANCE WITH  $V_{CC} = 2.7V$ , 128kbps, 4000ft (1220m) CAT 5 CABLE

# Typical Performance Curves

$V_{CC} = 3V$  (ISL32600E, ISL32601E) or  $1.8V$  (ISL32602E, ISL32603E),  $T_A = +25^\circ C$ ; unless otherwise specified (Continued)



FIGURE 17. ISL32600E, ISL32601E DRIVER DIFFERENTIAL PROPAGATION DELAY vs TEMPERATURE



FIGURE 18. ISL32600E, ISL32601E DRIVER DIFFERENTIAL SKEW vs TEMPERATURE



FIGURE 19. ISL32600E, ISL32601E RECEIVER PROPAGATION DELAY vs TEMPERATURE



FIGURE 20. ISL32600E, ISL32601E RECEIVER SKEW vs TEMPERATURE



FIGURE 21. ISL32600E, ISL32601E DRIVER AND RECEIVER WAVEFORMS, LOW TO HIGH



FIGURE 22. ISL32600E, ISL32601E DRIVER AND RECEIVER WAVEFORMS, HIGH TO LOW

## Typical Performance Curves

$V_{CC} = 3V$  (ISL32600E, ISL32601E) or  $1.8V$  (ISL32602E, ISL32603E),  $T_A = +25^\circ C$ ; unless otherwise specified (Continued)

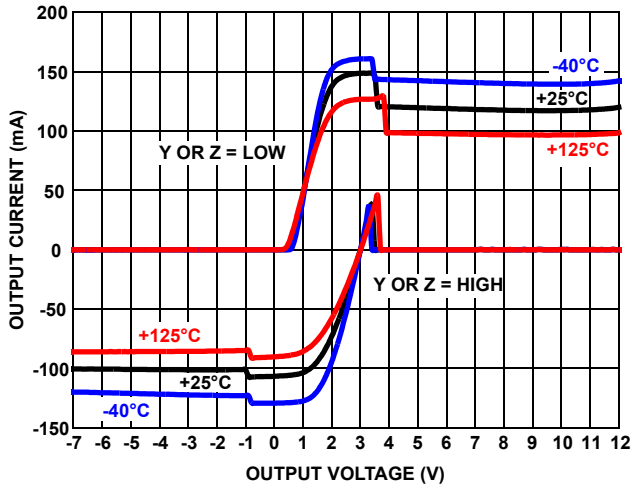


FIGURE 23. ISL32600E, ISL32601E DRIVER OUTPUT CURRENT vs SHORT-CIRCUIT VOLTAGE

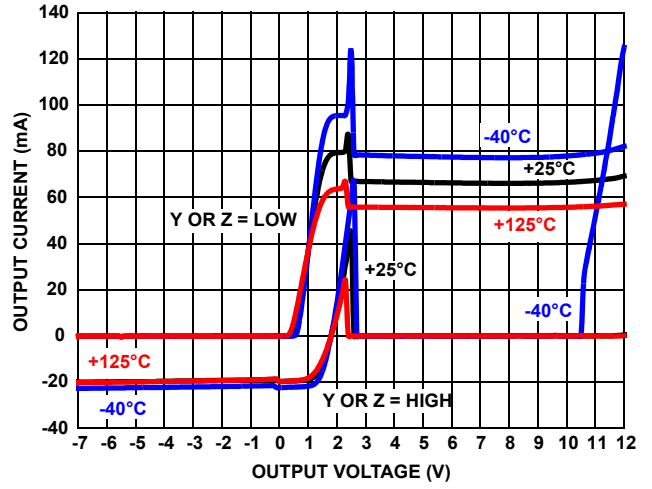


FIGURE 24. ISL32602E, ISL32603E DRIVER OUTPUT CURRENT vs SHORT-CIRCUIT VOLTAGE

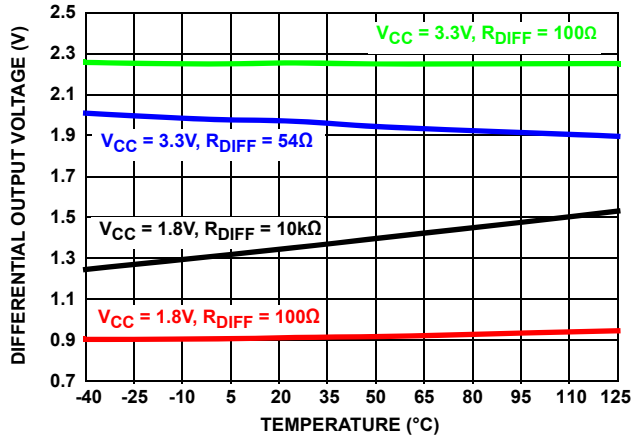


FIGURE 25. ISL32602E, ISL32603E DRIVER DIFFERENTIAL OUTPUT VOLTAGE vs TEMPERATURE

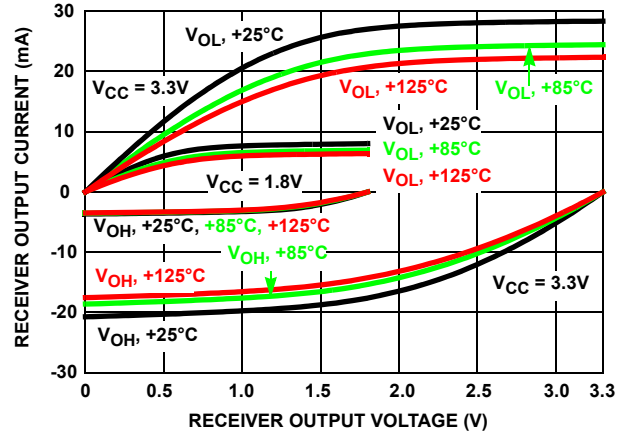


FIGURE 26. ISL32602E, ISL32603E RECEIVER OUTPUT CURRENT vs RECEIVER OUTPUT VOLTAGE

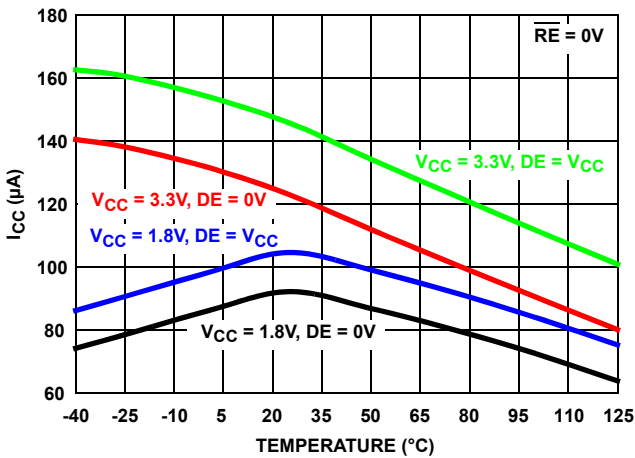


FIGURE 27. ISL32602E, ISL32603E STATIC SUPPLY CURRENT vs TEMPERATURE

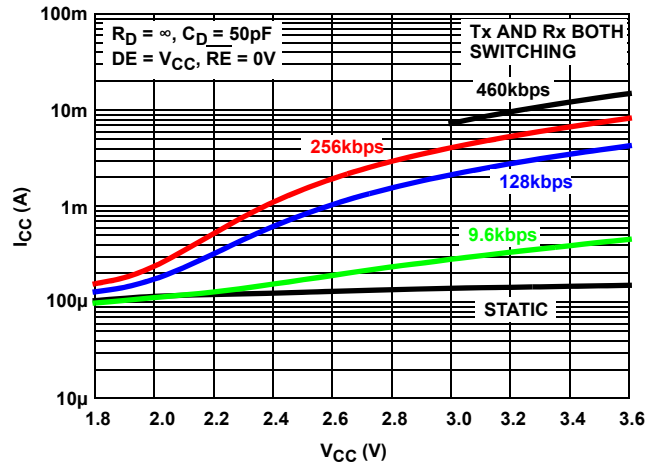


FIGURE 28. ISL32602E, ISL32603E DYNAMIC SUPPLY CURRENT vs SUPPLY VOLTAGE AT DIFFERENT DATA RATES

## Typical Performance Curves

$V_{CC} = 3V$  (ISL32600E, ISL32601E) or  $1.8V$  (ISL32602E, ISL32603E),  $T_A = +25^\circ C$ ; unless otherwise specified (Continued)



FIGURE 29. ISL32602E, ISL32603E PERFORMANCE WITH  $V_{CC} = 1.8V$ , 256kbps, 1000ft (305m) CAT 5 CABLE

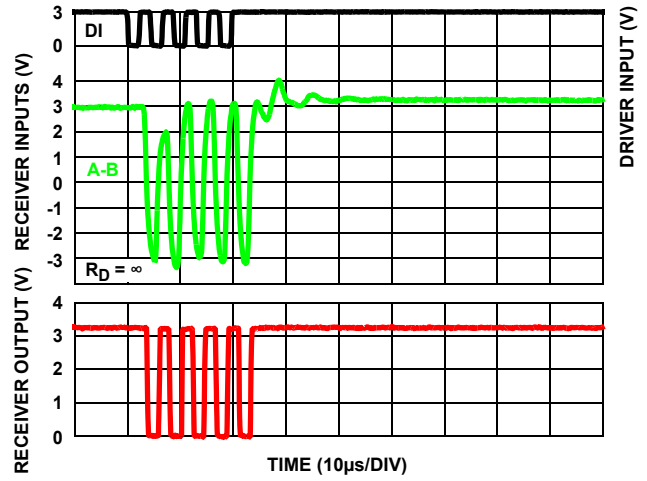


FIGURE 30. ISL32602E, ISL32603E PERFORMANCE WITH  $V_{CC} = 3.3V$ , 460kbps, 2000ft (610m) CAT 5 CABLE



FIGURE 31. ISL32602E, ISL32603E DRIVER DIFFERENTIAL PROPAGATION DELAY vs TEMPERATURE



FIGURE 32. ISL32602E, ISL32603E DRIVER DIFFERENTIAL SKEW vs TEMPERATURE

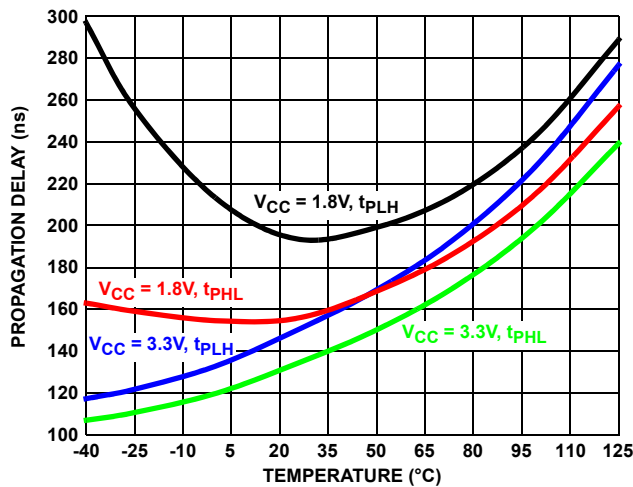


FIGURE 33. ISL32602E, ISL32603E RECEIVER PROPAGATION DELAY vs TEMPERATURE

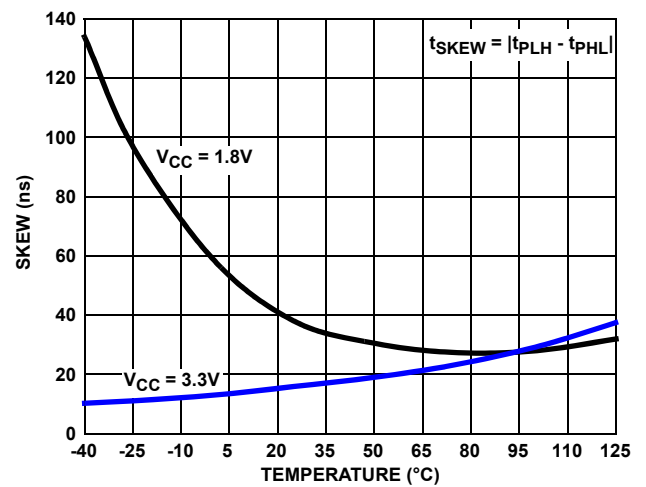


FIGURE 34. ISL32602E, ISL32603E RECEIVER SKEW vs TEMPERATURE



## Typical Performance Curves

$V_{CC} = 3V$  (ISL32600E, ISL32601E) or  $1.8V$  (ISL32602E, ISL32603E),  $T_A = +25^\circ C$ ; unless otherwise specified (Continued)



FIGURE 35. ISL32602E, ISL32603E DRIVER AND RECEIVER WAVEFORMS, LOW TO HIGH



FIGURE 36. ISL32602E, ISL32603E DRIVER AND RECEIVER WAVEFORMS, HIGH TO LOW



FIGURE 37. ISL32602E, ISL32603E DRIVER AND RECEIVER WAVEFORMS, LOW TO HIGH



FIGURE 38. ISL32602E, ISL32603E DRIVER AND RECEIVER WAVEFORMS, HIGH TO LOW

## Die Characteristics

### SUBSTRATE POTENTIAL (POWERED UP):

GND

### PROCESS:

Si Gate BiCMOS

## Application Information

RS-485 and RS-422 are differential (balanced) data transmission standards for use in long haul or noisy environments. RS-422 is a subset of RS-485, so RS-485 transceivers are also RS-422 compliant. RS-422 is a point-to-multipoint (multidrop) standard, which allows only one driver and up to 10 receivers on each bus, assuming one unit load devices. RS-485 is a true multipoint standard, which allows up to 32 one-unit load devices (any combination of drivers and receivers) on each bus. To allow for multipoint operation, the RS-485 specification requires that drivers must handle bus contention without sustaining any damage.

Another important advantage of RS-485 is the extended Common-Mode Range (CMR), which specifies that the driver outputs and receiver inputs withstand signals that range from -7V to +12V. RS-422 and RS-485 are intended for runs as long as 4000ft, so the wide CMR is necessary to handle ground potential differences and voltages induced in the cable by external fields.

## Receiver Features

The ISL3260xE devices use a differential input receiver for maximum noise immunity and common-mode rejection. Input sensitivity is greater than  $\pm 200\text{mV}$ , as required by the RS-422 and RS-485 specifications. The symmetrical  $\pm 200\text{mV}$  switching thresholds eliminate the duty cycle distortion that occurs on receivers with Full Fail Safe (FFS) functionality and with slowly transitioning input signals (see Figure 39). FFS receiver switching points have a negative offset, so the RO high time is naturally longer than the low time. The ISL3260xE's larger receiver input sensitivity range enables an increase of the receiver input hysteresis. The 40mV to 65mV receiver hysteresis increases the noise immunity, which is an advantage for noisy networks or networks with slow bus transitions.



FIGURE 39. COMPARED WITH A FULL-FAILSAFE ISL3172E RECEIVER, THE SYMMETRICAL RX THRESHOLDS OF THE ISL3260xE DELIVER LESS OUTPUT DUTY CYCLE DISTORTION WHEN DRIVEN WITH SLOW INPUT SIGNALS

The receiver input resistance of 96k $\Omega$  surpasses the RS-422 specification of 4k $\Omega$  and is eight times the RS-485 Unit Load (UL) requirement of 12k $\Omega$  minimum. Therefore, these products are known as “one-eighth UL” transceivers and there can be up to 256 of these devices on a network while still complying with the RS-485 loading specification.

Receiver inputs function with common-mode voltages as great as +9V/-7V outside the power supplies (that is, +12V and -7V) at  $V_{CC} = 3\text{V}$ , making them ideal for long networks where induced voltages and ground potential differences are realistic concerns. The positive CMR is limited to +2V when the ISL32602E or ISL32603E is operated with  $V_{CC} = 1.8\text{V}$ .

All the receivers include a “fail-safe if open” function that assures a high level receiver output if the receiver inputs are unconnected (floating). Because the Rx is not FFS, terminated networks may require bus biasing resistors (pull-up on noninverting input,

pull-down on inverting input) to preserve the bus idle state when the bus is not actively driven.

Receivers operate at data rates from 128kbps to 460kbps depending on the supply voltage, and all receiver outputs are tri-statable using the active low  $\overline{RE}$  input. There are no parasitic diodes nor ESD diodes to  $V_{CC}$  on the  $\overline{RE}$  input, so  $\overline{RE}$  is tolerant of input voltages up to 5.5V, even with the ISL3260xE powered down ( $V_{CC} = 0\text{V}$ ).

## Driver Features

The ISL3260xE drivers are differential output devices that deliver at least 1.4V with  $V_{CC} \geq 3\text{V}$  across a 54 $\Omega$  load (RS-485) and at least 1.95V with  $V_{CC} \geq 3.15\text{V}$  across a 100 $\Omega$  load (RS-422). The 1.8V transmitters deliver a 1.1V unloaded, differential level. Drivers operate at data rates from 128kbps to 460kbps depending on the supply voltage, and they feature low propagation delay skews to maximize bit width. Driver outputs are slew rate limited to minimize EMI and to reduce reflections in unterminated or improperly terminated networks.

All drivers are tri-statable using the active high DE input. There are no parasitic diodes nor ESD diodes to  $V_{CC}$  on the DI and DE inputs, so these inputs are tolerant of input voltages up to 5.5V, even with the ISL3260xE powered down ( $V_{CC} = 0\text{V}$ ).

## 1.8V Operation

The ISL32602E and ISL32603E are specifically designed to operate with supply voltages as low as 1.8V. Avoid termination resistors at this operating condition, and the unterminated driver is assured to deliver a healthy 1.1V differential output voltage. This low supply voltage limits the +CMR to +2V, but the CMR increases as  $V_{CC}$  increases.

For proper 1.8V operation, the ISL32602E and ISL32603E must run at a higher operating current. Therefore, their  $I_{CC}$  with  $V_{CC} = 3.3\text{V}$  is considerably higher than the  $I_{CC}$  of the ISL32600E and ISL32601E, which are optimized for low  $I_{CC}$  at 3.3V (see Figures 1 and 2).

## Hot Plug Function

When a piece of equipment powers up, a period of time when the processor or ASIC driving the RS-485 control lines (DE,  $\overline{RE}$ ) is unable to ensure that the RS-485 Tx and Rx outputs are kept disabled. If the equipment is connected to the bus, a driver activating prematurely during power-up may crash the bus. To avoid this scenario, the ISL3260xE devices incorporate a hot plug function. During power-up, circuitry monitoring  $V_{CC}$  ensures that the Tx and Rx outputs remain disabled for a period of time, regardless of the state of DE and  $\overline{RE}$ . This gives the processor/ASIC a chance to stabilize and drive the RS-485 control lines to the proper states.

## ESD Protection

All pins on the ISL3260xE devices include Class 3 (>8kV) Human Body Model (HBM) ESD protection structures, but the RS-485 pins (driver outputs and receiver inputs) incorporate advanced structures allowing them to survive ESD events in excess of  $\pm 15\text{kV}$  HBM and  $\pm 15\text{kV}$  IEC61000. The RS-485 pins are particularly vulnerable to ESD damage because they typically connect to an exposed port on the exterior of the finished product. Touching the port pins, or connecting a cable, can cause an ESD event that can destroy unprotected ICs. The new ESD structures protect the device

whether or not it is powered up without degrading the transceiver's CMR. The built-in ESD protection eliminates the need for board level protection structures such as transient suppression diodes and the associated undesirable capacitive load they present.

## IEC61000-4-2 Testing

The IEC61000 test method applies to finished equipment, rather than to an individual IC. Therefore, the pins most likely to suffer an ESD event are those that are exposed to the outside world (the RS-485 pins in this case), the IC is tested in its typical application configuration (power applied) rather than testing each pin-to-pin combination. The lower current limiting resistor coupled with the larger charge storage capacitor yields a test that is much more severe than the HBM test. The extra ESD protection built into this device's RS-485 pins allows the design of equipment meeting Level 4 criteria without the need for additional board level protection on the RS-485 port.

## AIR-GAP DISCHARGE TEST METHOD

For the air-gap discharge test method, a charged probe tip moves toward the IC pin until the voltage arcs to it. The current waveform delivered to the IC pin depends on approach speed, humidity, temperature, etc. so it is difficult to obtain repeatable results. The ISL3260xE RS-485 pins withstand  $\pm 15\text{kV}$  air-gap discharges.

## CONTACT DISCHARGE TEST METHOD

During the contact discharge test, the probe contacts the tested pin before the probe tip is energized, and eliminates the variables associated with the air-gap discharge. The result is a more repeatable and predictable test, but equipment limits prevent testing devices at voltages higher than  $\pm 8\text{kV}$ . The ISL3260xE devices survive  $\pm 8\text{kV}$  contact discharges on the RS-485 pins.

## Data Rate, Cables, and Terminations

RS-485/422 are intended for network lengths up to 4000ft (1220m), but the maximum system data rate decreases as the transmission length increases. The ISL32600E and ISL32601E operate at data rates up to 128kbps at the maximum (4000ft) distance, or at data rates of 256kbps for cable lengths less than 3000ft (915m). The ISL32602E and ISL32603E, with  $V_{CC} = 1.8\text{V}$ , are limited to 1000ft (305m) at 256kbps, or 2000ft (610m) at 128kbps. With  $V_{CC} = 3.3\text{V}$ , the ISL32602E and ISL32603E deliver 460kbps over 2000ft, 256kbps over 3000ft, or 128kbps over 4000ft cables.

Twisted pair is the cable of choice for RS-485 and RS-422 networks. Twisted pair cables tend to pick up noise and other electromagnetically induced voltages as common-mode signals that are effectively rejected by the differential receivers in these ICs.

Short networks using these transceivers need not be terminated, but terminations are recommended for 2.7V to 3.6V powered networks unless power dissipation is an overriding concern. Terminations are not recommended for 1.8V applications due to the low drive available from those transmitters.

In point-to-point, or point-to-multipoint (single driver on bus) networks, terminate the main cable in its characteristic impedance (typically  $120\Omega$ ) at the end farthest from the driver. In

multi-receiver applications, keep stubs connecting receivers to the main cable as short as possible. Multipoint (multi-driver) systems require that the main cable be terminated in its characteristic impedance at both ends. Keep stubs connecting a transceiver to the main cable as short as possible.

Terminated networks using the ISL3260xE may require bus biasing resistors (pull-up on noninverting input, pull-down on inverting input) to preserve the bus idle state when the bus is not actively driven. Without bus biasing, the termination resistor collapses the undriven, differential bus voltage to 0V, which is an undefined level to the ISL3260xE Rx. Bus biasing forces a few hundred mV positive differential voltage on the undriven bus, which all RS-485 and RS-422 Rx interpret as a valid logic high.

## Built-In Driver Overload Protection

As stated previously, the RS-485 specification requires that drivers survive worst case bus contentions undamaged. These devices meet this requirement using driver output short-circuit current limits and on-chip thermal shutdown circuitry.

The driver output stages incorporate short-circuit current limiting circuitry that ensures that the output current never exceeds the RS-485 specification, even at the common-mode voltage range extremes. Additionally, these devices use a foldback circuit which reduces the short-circuit current, and thus the power dissipation, whenever the contending voltage exceeds either supply.

In the event of a major short-circuit condition, the ISL3260xE's thermal shutdown feature disables the drivers whenever the die temperature becomes excessive. Thermal shutdown eliminates the power dissipation, allowing the die to cool. The drivers automatically re-enable after the die temperature drops by about  $20^\circ\text{C}$ . If the condition persists, the thermal shutdown/re-enable cycle repeats until the fault is cleared. Receivers remain operational during thermal shutdown.

## Low Power Shutdown Mode

These micro-power transceivers all use a fraction of the power required by their counterparts, but they also include a shutdown feature that reduces the already low quiescent  $I_{CC}$  to a 10nA trickle. These devices enter shutdown whenever the receiver and driver are *simultaneously* disabled ( $\overline{RE} = V_{CC}$  and  $DE = \text{GND}$ ) for a period of at least 600ns (1200ns at  $V_{CC} = 1.8\text{V}$ ). Disabling both the driver and the receiver for fewer than 50ns assures that the transceiver does not enter shutdown.

Note that most receiver and driver enable times increase when the transceiver enables from shutdown. See [Notes 9](#) through [13](#) on [page 10](#) for more information.

---

**Revision History** The revision history provided is for informational purposes only and is believed to be accurate, but not warranted. Please visit our website to make sure you have the latest revision.

| DATE          | REVISION | CHANGE   |
|---------------|----------|--|
| Jan 31, 2019  | FN7967.2 | Updated Figures 3 and 4.<br>Updated ordering information table by adding all tape and reel parts and information and updating notes.<br>Updated links throughout document.<br>Removed About Intersil section.<br>Updated disclaimer. |
| Oct 20, 2017  | FN7967.1 | Added the Related Literature section.<br>Updated the Truth Table on page 3.<br>Applied Intersil A Renesas Company template.  |
| June 22, 2012 | FN7967.0 | Initial Release.   |

# Package Outline Drawings

For the most recent package outline drawing, see [M8.118](#).

## M8.118

8 LEAD MINI SMALL OUTLINE PLASTIC PACKAGE

Rev 4, 7/11



**NOTES:**

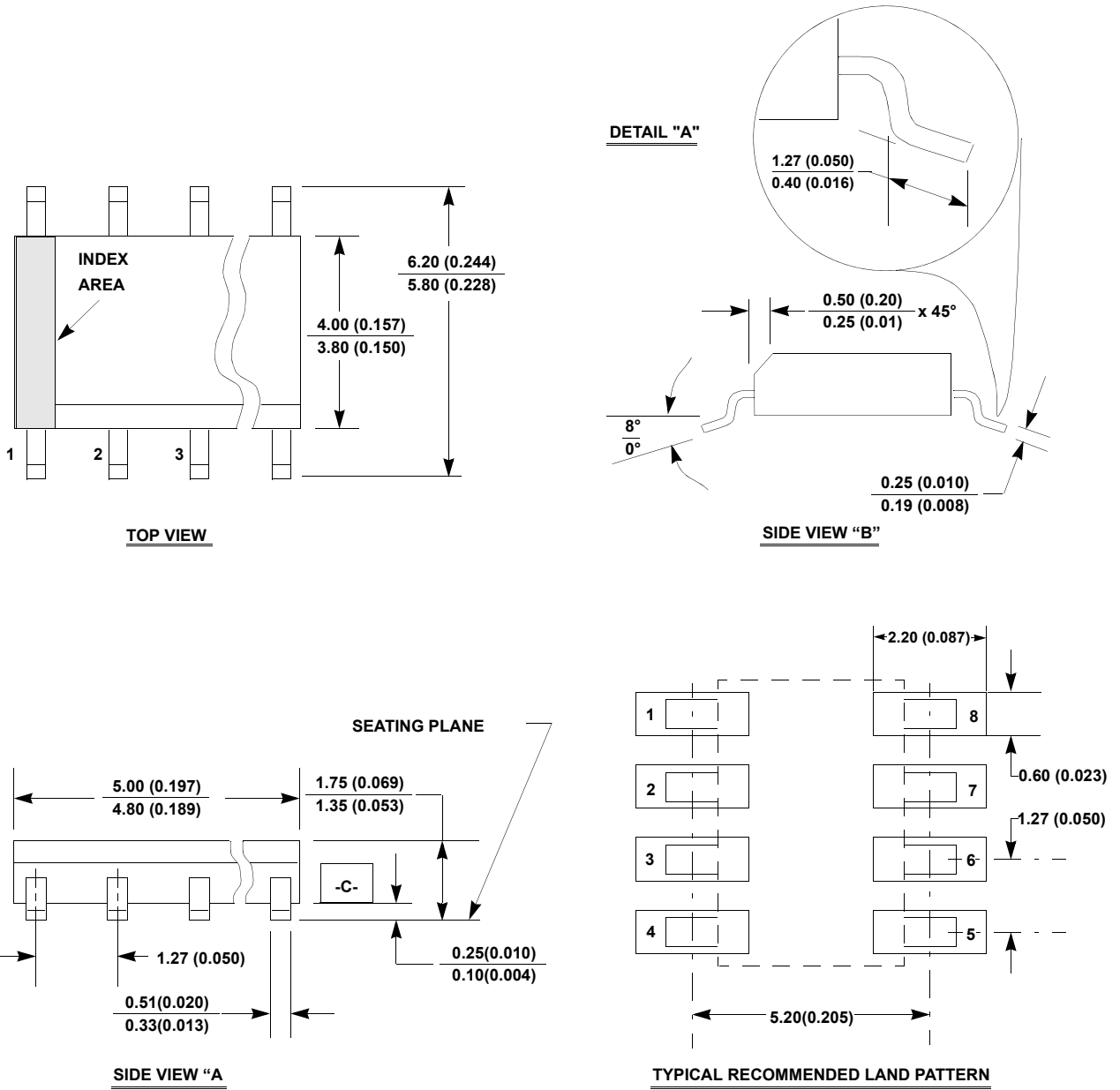
1. Dimensions are in millimeters.
2. Dimensioning and tolerancing conform to JEDEC MO-187-AA and AMSEY14.5m-1994.
3. Plastic or metal protrusions of 0.15mm max per side are not included.
4. Plastic interlead protrusions of 0.15mm max per side are not included.
5. Dimensions are measured at Datum Plane "H".
6. Dimensions in ( ) are for reference only.

**M8.15**

**8 LEAD NARROW BODY SMALL OUTLINE PLASTIC PACKAGE**

Rev 4, 1/12

For the most recent package outline drawing, see [M8.15](#).



**NOTES:**

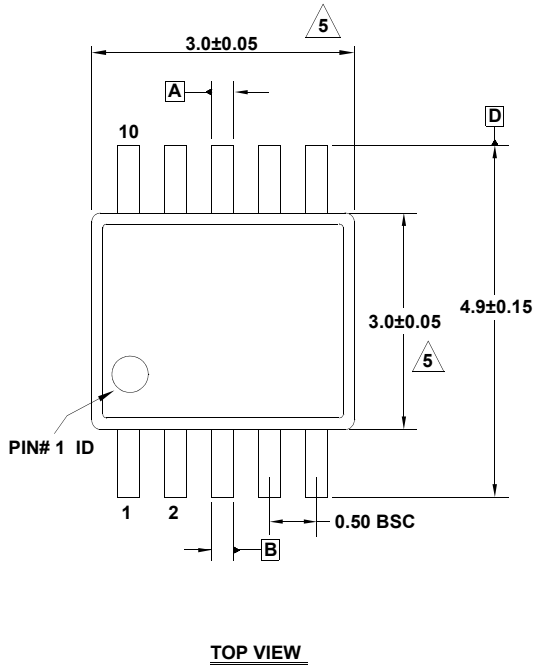
1. Dimensioning and tolerancing per ANSI Y14.5M-1994.
2. Package length does not include mold flash, protrusions or gate burrs. Mold flash, protrusion and gate burrs shall not exceed 0.15mm (0.006 inch) per side.
3. Package width does not include interlead flash or protrusions. Interlead flash and protrusions shall not exceed 0.25mm (0.010 inch) per side.
4. The chamfer on the body is optional. If it is not present, a visual index feature must be located within the crosshatched area.
5. Terminal numbers are shown for reference only.
6. The lead width as measured 0.36mm (0.014 inch) or greater above the seating plane, shall not exceed a maximum value of 0.61mm (0.024 inch).
7. Controlling dimension: MILLIMETER. Converted inch dimensions are not necessarily exact.
8. This outline conforms to JEDEC publication MS-012-AA ISSUE C.

**M10.118**

For the most recent package outline drawing, see [M10.118](#).

**10 LEAD MINI SMALL OUTLINE PLASTIC PACKAGE**

Rev 1, 4/12



**NOTES:**

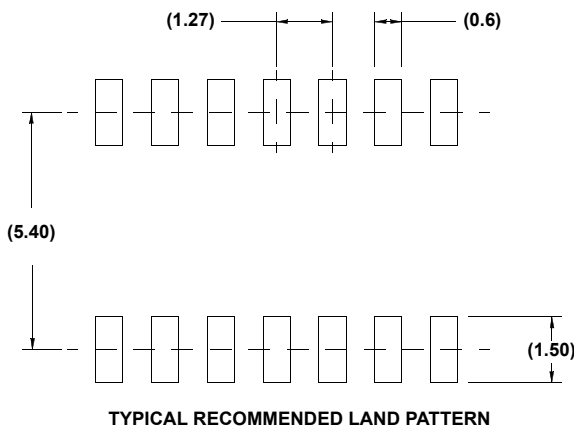
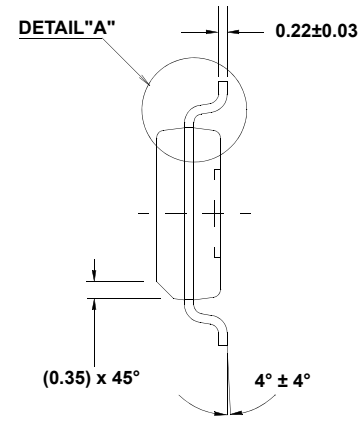
1. Dimensions are in millimeters.
2. Dimensioning and tolerancing conform to JEDEC MO-187-BA and AMSEY14.5m-1994.
3. Plastic or metal protrusions of 0.15mm max per side are not included.
4. Plastic interlead protrusions of 0.15mm max per side are not included.
5. Dimensions are measured at Datum Plane "H".
6. Dimensions in ( ) are for reference only.

**M14.15**

**14 LEAD NARROW BODY SMALL OUTLINE PLASTIC PACKAGE**

Rev 1, 10/09

For the most recent package outline drawing, see [M14.15](#).



**NOTES:**

1. Dimensions are in millimeters.  
Dimensions in ( ) for Reference Only.
2. Dimensioning and tolerancing conform to AMSEY14.5m-1994.
3. Datums A and B to be determined at Datum H.
4. Dimension does not include interlead flash or protrusions.  
Interlead flash or protrusions shall not exceed 0.25mm per side.
5. The pin #1 identifier may be either a mold or mark feature.
6. Does not include dambar protrusion. Allowable dambar protrusion shall be 0.10mm total in excess of lead width at maximum condition.
7. Reference to JEDEC MS-012-AB.



## Notice

1. Descriptions of circuits, software and other related information in this document are provided only to illustrate the operation of semiconductor products and application examples. You are fully responsible for the incorporation or any other use of the circuits, software, and information in the design of your product or system. Renesas Electronics disclaims any and all liability for any losses and damages incurred by you or third parties arising from the use of these circuits, software, or information.
  2. Renesas Electronics hereby expressly disclaims any warranties against and liability for infringement or any other claims involving patents, copyrights, or other intellectual property rights of third parties, by or arising from the use of Renesas Electronics products or technical information described in this document, including but not limited to, the product data, drawings, charts, programs, algorithms, and application examples.
  3. No license, express, implied or otherwise, is granted hereby under any patents, copyrights or other intellectual property rights of Renesas Electronics or others.
  4. You shall not alter, modify, copy, or reverse engineer any Renesas Electronics product, whether in whole or in part. Renesas Electronics disclaims any and all liability for any losses or damages incurred by you or third parties arising from such alteration, modification, copying or reverse engineering.
  5. Renesas Electronics products are classified according to the following two quality grades: "Standard" and "High Quality". The intended applications for each Renesas Electronics product depends on the product's quality grade, as indicated below.
    - "Standard": Computers; office equipment; communications equipment; test and measurement equipment; audio and visual equipment; home electronic appliances; machine tools; personal electronic equipment; industrial robots; etc.
    - "High Quality": Transportation equipment (automobiles, trains, ships, etc.); traffic control (traffic lights); large-scale communication equipment; key financial terminal systems; safety control equipment; etc.Unless expressly designated as a high reliability product or a product for harsh environments in a Renesas Electronics data sheet or other Renesas Electronics document, Renesas Electronics products are not intended or authorized for use in products or systems that may pose a direct threat to human life or bodily injury (artificial life support devices or systems; surgical implantations; etc.), or may cause serious property damage (space system; undersea repeaters; nuclear power control systems; aircraft control systems; key plant systems; military equipment; etc.). Renesas Electronics disclaims any and all liability for any damages or losses incurred by you or any third parties arising from the use of any Renesas Electronics product that is inconsistent with any Renesas Electronics data sheet, user's manual or other Renesas Electronics document.
  6. When using Renesas Electronics products, refer to the latest product information (data sheets, user's manuals, application notes, "General Notes for Handling and Using Semiconductor Devices" in the reliability handbook, etc.), and ensure that usage conditions are within the ranges specified by Renesas Electronics with respect to maximum ratings, operating power supply voltage range, heat dissipation characteristics, installation, etc. Renesas Electronics disclaims any and all liability for any malfunctions, failure or accident arising out of the use of Renesas Electronics products outside of such specified ranges.
  7. Although Renesas Electronics endeavors to improve the quality and reliability of Renesas Electronics products, semiconductor products have specific characteristics, such as the occurrence of failure at a certain rate and malfunctions under certain use conditions. Unless designated as a high reliability product or a product for harsh environments in a Renesas Electronics data sheet or other Renesas Electronics document, Renesas Electronics products are not subject to radiation resistance design. You are responsible for implementing safety measures to guard against the possibility of bodily injury, injury or damage caused by fire, and/or danger to the public in the event of a failure or malfunction of Renesas Electronics products, such as safety design for hardware and software, including but not limited to redundancy, fire control and malfunction prevention, appropriate treatment for aging degradation or any other appropriate measures. Because the evaluation of microcomputer software alone is very difficult and impractical, you are responsible for evaluating the safety of the final products or systems manufactured by you.
  8. Please contact a Renesas Electronics sales office for details as to environmental matters such as the environmental compatibility of each Renesas Electronics product. You are responsible for carefully and sufficiently investigating applicable laws and regulations that regulate the inclusion or use of controlled substances, including without limitation, the EU RoHS Directive, and using Renesas Electronics products in compliance with all these applicable laws and regulations. Renesas Electronics disclaims any and all liability for damages or losses occurring as a result of your noncompliance with applicable laws and regulations.
  9. Renesas Electronics products and technologies shall not be used for or incorporated into any products or systems whose manufacture, use, or sale is prohibited under any applicable domestic or foreign laws or regulations. You shall comply with any applicable export control laws and regulations promulgated and administered by the governments of any countries asserting jurisdiction over the parties or transactions.
  10. It is the responsibility of the buyer or distributor of Renesas Electronics products, or any other party who distributes, disposes of, or otherwise sells or transfers the product to a third party, to notify such third party in advance of the contents and conditions set forth in this document.
  11. This document shall not be reprinted, reproduced or duplicated in any form, in whole or in part, without prior written consent of Renesas Electronics.
  12. Please contact a Renesas Electronics sales office if you have any questions regarding the information contained in this document or Renesas Electronics products.
- (Note1) "Renesas Electronics" as used in this document means Renesas Electronics Corporation and also includes its directly or indirectly controlled subsidiaries.
- (Note2) "Renesas Electronics product(s)" means any product developed or manufactured by or for Renesas Electronics.

(Rev.4.0-1 November 2017)

## Corporate Headquarters

TOYOSU FORESIA, 3-2-24 Toyosu,  
Koto-ku, Tokyo 135-0061, Japan  
[www.renesas.com](http://www.renesas.com)

## Contact Information

For further information on a product, technology, the most up-to-date version of a document, or your nearest sales office, please visit:  
[www.renesas.com/contact/](http://www.renesas.com/contact/)

## Trademarks

Renesas and the Renesas logo are trademarks of Renesas Electronics Corporation. All trademarks and registered trademarks are the property of their respective owners.



## Стандарт Электрон Связь

Мы молодая и активно развивающаяся компания в области поставок электронных компонентов. Мы поставляем электронные компоненты отечественного и импортного производства напрямую от производителей и с крупнейших складов мира.

Благодаря сотрудничеству с мировыми поставщиками мы осуществляем комплексные и плановые поставки широчайшего спектра электронных компонентов.

Собственная эффективная логистика и склад в обеспечивает надежную поставку продукции в точно указанные сроки по всей России.

Мы осуществляем техническую поддержку нашим клиентам и предпродажную проверку качества продукции. На все поставляемые продукты мы предоставляем гарантию .

Осуществляем поставки продукции под контролем ВП МО РФ на предприятия военно-промышленного комплекса России , а также работаем в рамках 275 ФЗ с открытием отдельных счетов в уполномоченном банке. Система менеджмента качества компании соответствует требованиям ГОСТ ISO 9001.

Минимальные сроки поставки, гибкие цены, неограниченный ассортимент и индивидуальный подход к клиентам являются основой для выстраивания долгосрочного и эффективного сотрудничества с предприятиями радиоэлектронной промышленности, предприятиями ВПК и научно-исследовательскими институтами России.

С нами вы становитесь еще успешнее!

### Наши контакты:

**Телефон:** +7 812 627 14 35

**Электронная почта:** [sales@st-electron.ru](mailto:sales@st-electron.ru)

**Адрес:** 198099, Санкт-Петербург,  
Промышленная ул, дом № 19, литера Н,  
помещение 100-Н Офис 331