

**PLEASE CHECK WWW.MOLEX.COM FOR LATEST PART INFORMATION**

**Part Number:** [0740611022](#)  
**Status:** **Active**  
**Overview:** [vhdm](#)  
**Description:** 2.00mm (.079") Pitch VHDM® Board-to-Board Backplane Header, Vertical, 8-Row, Guide Pin Signal Module, Pin End Version, 80 Circuits, Pin Length 6.25mm (.246")

**Documents:**

[3D Model](#) [RoHS Certificate of Compliance \(PDF\)](#)  
[Drawing \(PDF\)](#)

**General**

|                               |   |
|-------------------------------|---|
| Product Family                | Backplane Connectors  |
| Series                        | <a href="#">74061</a>   |
| Application                   | Backplane   |
| Application Tooling Documents | <a href="http://www.molex.com/pdm_docs/ats/TM-622010999.pdf">http://www.molex.com/pdm_docs/ats/TM-622010999.pdf</a> >Tooling Manual</a> |
| Comments                      | Keying Position B   |
| Component Type                | PCB Header  |
| Overview                      | <a href="#">vhdm</a>  |
| Product Name                  | VHDM®   |
| Style                         | N/A   |

**Physical**

|                                |   |
|--------------------------------|---|
| Circuits (Loaded)              | 80  |
| Circuits (maximum)             | 80  |
| Color - Resin                  | Black   |
| Durability (mating cycles max) | 200   |
| First Mate / Last Break        | No  |
| Guide to Mating Part           | Yes   |
| Keying to Mating Part          | Yes   |
| Material - Metal               | Beryllium Copper, High Performance Alloy (HPA), Stainless Steel |
| Material - Plating Mating      | Gold  |
| Material - Plating Termination | Tin-Lead  |
| Material - Resin               | High Temperature Thermoplastic                                  |
| Number of Columns              | N/A   |
| Number of Pairs                | Open Pin Field  |
| Number of Rows                 | 8   |
| Orientation                    | Vertical  |
| PC Tail Length (in)            | 0.098 In  |
| PC Tail Length (mm)            | 2.50 mm   |
| PCB Locator                    | No  |
| PCB Retention                  | None  |
| PCB Thickness Recommended (in) | 0.070 In  |
| PCB Thickness Recommended (mm) | 1.80 mm   |
| Packaging Type                 | Tube  |
| Pitch - Mating Interface (in)  | 0.079 In  |
| Pitch - Mating Interface (mm)  | 2.00 mm   |
| Pitch - Term. Interface (in)   | 0.079 In  |
| Pitch - Term. Interface (mm)   | 2.00 mm   |
| Plating min: Mating (µin)      | 30  |
| Plating min: Mating (µm)       | 0.75  |
| Plating min: Termination (µin) | 30  |
| Plating min: Termination (µm)  | 0.75  |
| Polarized to PCB               | Yes   |
| Stackable                      | No  |

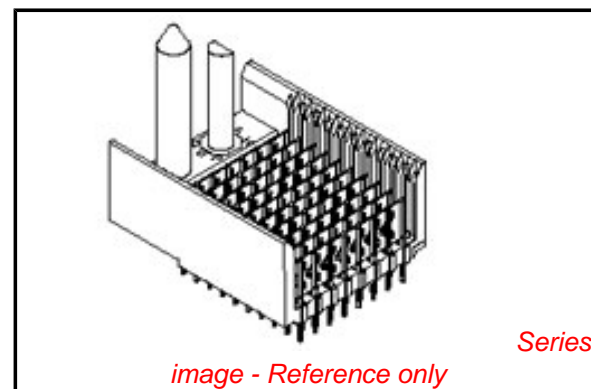


image - Reference only

**EU RoHS**

**RoHS Compliant by Exemption**

**REACH SVHC**

**Contains SVHC: No**

**Halogen-Free**

**Status**

**Halogen-Free**

**China RoHS**



Pb

**Need more information on product environmental compliance?**

Email [productcompliance@molex.com](mailto:productcompliance@molex.com)  
 For a multiple part number RoHS Certificate of Compliance, [click here](#)

Please visit the [Contact Us](#) section for any non-product compliance questions.

**Search Parts in this Series**

[74061Series](#)

**Mates With**

[74040 VHDM® Board-to-Board Daughtercard Receptacle](#)

**Application Tooling | FAQ**

*Tooling specifications and manuals are found by selecting the products below. Crimp Height Specifications are then contained in the Application Tooling Specification document.*

**Global**

| Description                           | Product #                  |
|---------------------------------------|----------------------------|
| VHDM® Signal Pin Inserter Repair Tool | <a href="#">0622015700</a> |
| VHDM® 8 Row and Shield Repair Tool    | <a href="#">0622015900</a> |
| VHDM® 8 Row Shield Extraction Tool    | <a href="#">0622016100</a> |

Surface Mount Compatible (SMC) Yes  
Temperature Range - Operating 105°C max  
Termination Interface: Style Through Hole - Compliant Pin

### Electrical

Current - Maximum per Contact 1A  
Data Rate 3.125 Gbps  
Real Signals (per 25mm) 100  
Shield Type Ground Plane Shield  
Shielded Yes  
Voltage - Maximum 120V AC (RMS)/DC

### Material Info

### Reference - Drawing Numbers

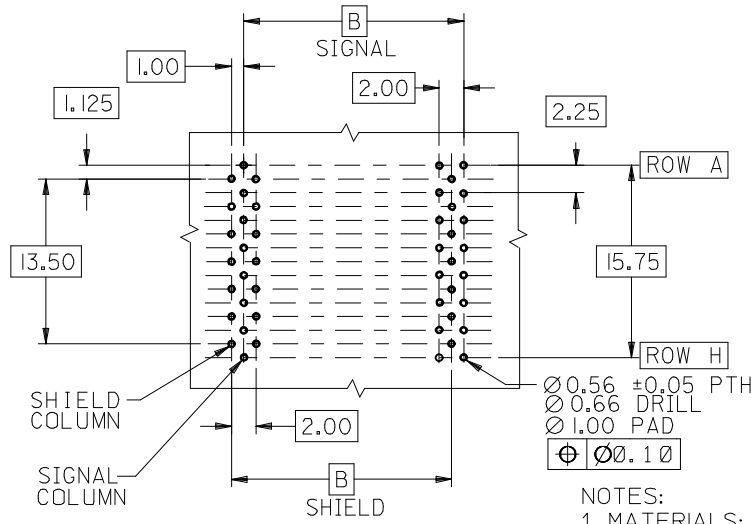
Sales Drawing SD-74061-002

VHDM and Very High Density Metric are trademarks of Amphenol Corporation

VHDM® Insertion [0622020205](#)  
Module for Advanced  
Mate Signal Header,  
8 Row by 10 Wide,  
20.00mm (.787")  
VHDM® Insertion [0622020209](#)  
Module for Standard  
Shield Signal  
Header, 8 Row by  
10 Wide, 20.00mm  
(.787")  
Flat Rock Tooling for [0622013700](#)  
Pneumatic Press

This document was generated on 06/01/2010

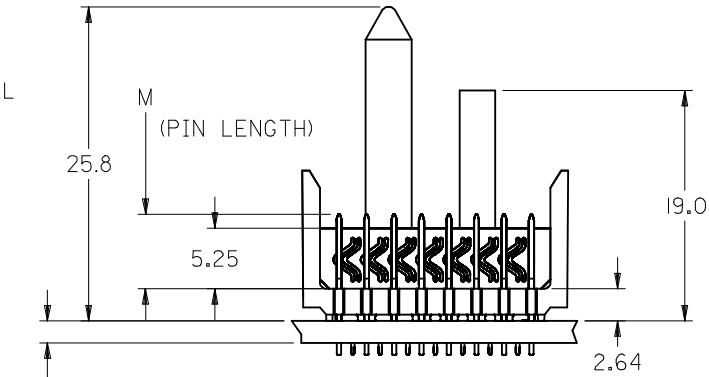
**PLEASE CHECK [WWW.MOLEX.COM](http://WWW.MOLEX.COM) FOR LATEST PART INFORMATION**



**BACKPLANE HOLE PATTERN**  
RECOMMENDED DIMENSION

- NOTES:
- MATERIALS:  
HOUSING - LIQUID CRYSTAL POLYMER (LCP),  
GLASS-FILLED, UL 94V-0, COLOR: BLACK  
SIGNAL PIN & SHIELD - COPPER ALLOY
  - FINISHES:  
CONTACT AREA: SELECTIVE GOLD (Au)  
PCB TAILS: SELECTIVE TIN/LEAD (Sn/Pb)  
OR SELECTIVE MATTE TIN (Sn)  
NICKEL (Ni) OVERALL.
  - THIS PART CONFORMS TO MOLEX PRODUCT SPECIFICATION PS-74031-999
  - FOR MIXED CONTACT LENGTHS CONSULT MOLEX FOR AVAILABILITY
  - FOR SPECIFIC MATERIAL NUMBERS & MATING INFORMATION REFER TO SHEET 2
  - PACKAGE PER PK-74061-003
  - EITHER MARK PART WITH PART NUMBER & DATE CODE APPROXIMATELY WHERE SHOWN OR PLACE LABEL ON THE TUBE.

0.26 MAX OVERALL PROTRUSION



1.8 MIN PCB

|   |                    |   |   |                              |                     |              |  |       |
|---|--------------------|---|---|------------------------------|---------------------|--------------|--|-------|
| CORRECTED DIMS<br>EC NO: UCP2008-0329<br>DRAWN: J JONIAK 2007/08/28<br>CHKD: J JONIAK 2007/08/28<br>APPR: C BIXLER 2007/08/28 | DESCRIPTION<br>REV | QUALITY SYMBOLS   | GENERAL TOLERANCES (UNLESS SPECIFIED)   | DIMENSION STYLE              | SCALE               | DESIGN UNITS | THIRD ANGLE PROJECTION   |       |
|   |                    | $\nabla=0$<br>$\nabla=0$  | mm INCH<br>4 PLACES ± --- ± ---<br>3 PLACES ± --- ± ---<br>2 PLACES ± --- ± ---<br>1 PLACE ± --- ± ---<br>ANGULAR ±1/2° | MM ONLY                      | 2.5:1               | METRIC       | DRAWN BY DATE<br>MWANG 1998/11/09<br>CHECKED BY DATE<br>JLAURX 1998/11/09<br>APPROVED BY DATE<br>C BIXLER 1998/11/09 | TITLE |
|   |                    | DRAFT WHERE APPLICABLE<br>MUST REMAIN<br>WITHIN DIMENSIONS  | MATERIAL NO.<br>SEE SHEET 2<br>SIZE B   | DOCUMENT NO.<br>SD-74061-002 | SHEET NO.<br>1 OF 3 |              |  |       |
|   |                    | THIS DRAWING CONTAINS INFORMATION THAT IS PROPRIETARY TO MOLEX INCORPORATED AND SHOULD NOT BE USED WITHOUT WRITTEN PERMISSION |   |                              |                     |              |  |       |

VHDM 8 ROW  
SIGNAL END BACKPLANE  
SALES ASSEMBLY

**MOLEX INCORPORATED**

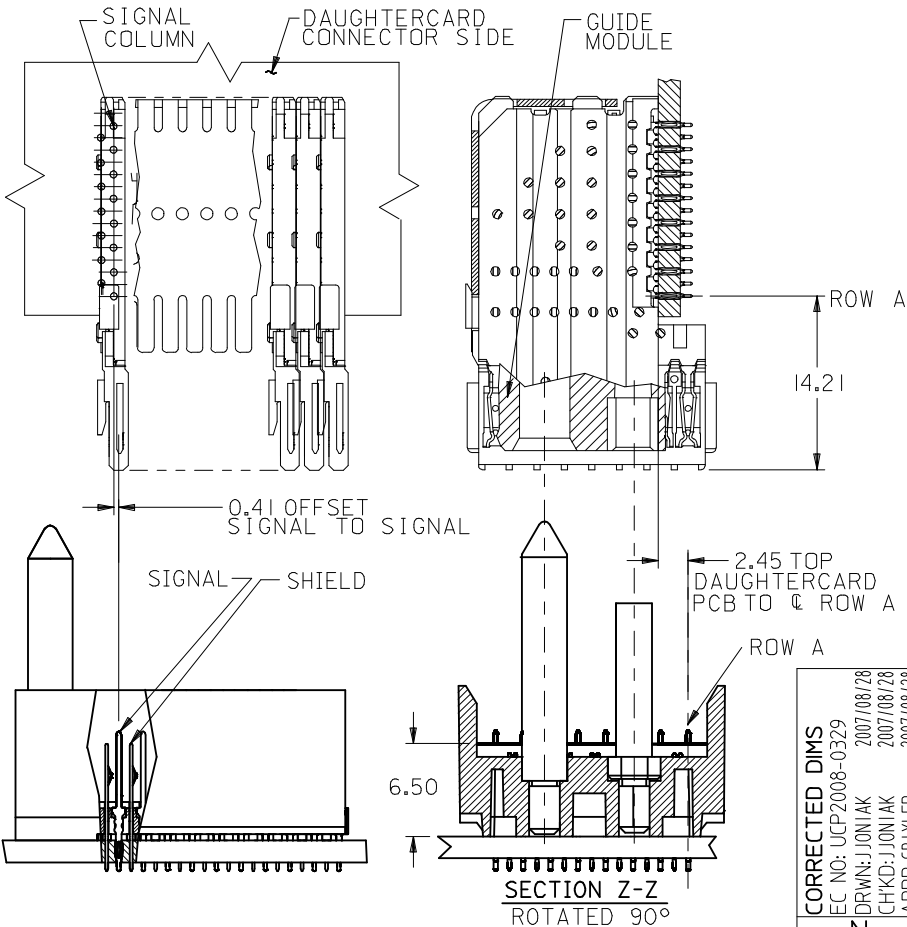
|                           |       |       |       |       |       |       |       |       |       |
|---------------------------|-------|-------|-------|-------|-------|-------|-------|-------|-------|
| M/N<br>74061-( )          | -**0* | -**1* | -**2* | -**3* | -**4* | -**5* | -**6* | -**7* | -**8* |
| KEYING PIN<br>ORIENTATION | O     | A     | B     | C     | D     | E     | F     | G     | H     |

74061 - \* \* \* \*

NUMBER OF COLUMNS/PLATING  
 10 = 10 COLUMN TIN/LEAD  
 12 = 12 COLUMN TIN/LEAD\*  
 25 = 25 COLUMN TIN/LEAD  
 90 = 10 COLUMN MATTE TIN  
 92 = 12 COLUMN MATTE TIN\*  
 85 = 25 COLUMN MATTE TIN

CONTACT LOAD  
 (PIN LENGTH)  
 1 & 6 = 4.75  
 2 & 7 = 6.25  
 3 & 8 = 4.25  
 4 & 9 = 5.15

\*12 COLUMN P/N'S ON SHEET 3



| PART NUMBER | COLUMN | NUMBER OF SIGNAL PIN | NUMBER OF SHIELD | A     | B     | M    | Au (um) THICKNESS | Sn (um) THICKNESS |
|-------------|--------|----------------------|------------------|-------|-------|------|-------------------|-------------------|
| 74061-*0*1  | 10     | 80                   | 10               | 27.00 | 18.00 | 4.75 | 0.76              | 0.76-1.52         |
| 74061-*0*6  |        |                      |                  |       |       |      | 1.27              |                   |
| 74061-*5*1  | 25     | 200                  | 25               | 57.00 | 48.00 | 6.25 | 0.76              |                   |
| 74061-*5*6  |        |                      |                  |       |       |      | 1.27              |                   |
| 74061-*0*2  | 10     | 80                   | 10               | 27.00 | 18.00 | 6.25 | 0.76              |                   |
| 74061-*0*7  |        |                      |                  |       |       |      | 1.27              |                   |
| 74061-*5*2  | 25     | 200                  | 25               | 57.00 | 48.00 | 4.25 | 0.76              |                   |
| 74061-*5*7  |        |                      |                  |       |       |      | 1.27              |                   |
| 74061-*0*3  | 10     | 80                   | 10               | 27.00 | 18.00 | 4.25 | 0.76              |                   |
| 74061-*0*8  |        |                      |                  |       |       |      | 1.27              |                   |
| 74061-*5*3  | 25     | 200                  | 25               | 57.00 | 48.00 | 5.15 | 0.76              |                   |
| 74061-*5*8  |        |                      |                  |       |       |      | 1.27              |                   |
| 74061-*0*4  | 10     | 80                   | 10               | 27.00 | 18.00 | 5.15 | 0.76              |                   |
| 74061-*0*9  |        |                      |                  |       |       |      | 1.27              |                   |
| 74061-*5*4  | 25     | 200                  | 25               | 57.00 | 48.00 | 5.15 | 0.76              |                   |
| 74061-*5*9  |        |                      |                  |       |       |      | 1.27              |                   |

|  |   |  |   |   |  |                     |
|--|---|--|---|---|--|---------------------|
| <b>CORRECTED DIMS</b><br>EC NO: UCP2008-0329<br>DRAWN: J JONIAK 2007/08/28<br>CHKD: J JONIAK 2007/08/28<br>APPR: CBIXLER 2007/08/28<br>N | QUALITY SYMBOLS<br>▽=0<br>▽=0   | GENERAL TOLERANCES (UNLESS SPECIFIED)<br>mm INCH<br>4 PLACES ± --- ± ---<br>3 PLACES ± --- ± ---<br>2 PLACES ± --- ± ---<br>1 PLACE ± --- ± ---<br>ANGULAR ±1/2° | DIMENSION STYLE<br>MM ONLY<br>DRAWN BY DATE<br>MWANG 1998/11/09<br>CHECKED BY DATE<br>JLAURX 1998/11/09<br>APPROVED BY DATE<br>CBIXLER 1998/11/09 | SCALE<br>2.5:1<br>TITLE<br>VHD8 8 ROW<br>SIGNAL END BACKPLANE<br>SALES ASSEMBLY | DESIGN UNITS<br>METRIC<br>THIRD ANGLE PROJECTION |                     |
|  | DRAFT WHERE APPLICABLE<br>MUST REMAIN<br>WITHIN DIMENSIONS  |  |   | MATERIAL NO.<br>SEE CHART   | DOCUMENT NO.<br>SD-74061-002                     | SHEET NO.<br>2 OF 3 |
|  | MOLEX INCORPORATED  |  |   |   |  |                     |
|  | THIS DRAWING CONTAINS INFORMATION THAT IS PROPRIETARY TO MOLEX INCORPORATED AND SHOULD NOT BE USED WITHOUT WRITTEN PERMISSION |  |   |   |  |                     |



## Стандарт Электрон Связь

Мы молодая и активно развивающаяся компания в области поставок электронных компонентов. Мы поставляем электронные компоненты отечественного и импортного производства напрямую от производителей и с крупнейших складов мира.

Благодаря сотрудничеству с мировыми поставщиками мы осуществляем комплексные и плановые поставки широчайшего спектра электронных компонентов.

Собственная эффективная логистика и склад в обеспечивает надежную поставку продукции в точно указанные сроки по всей России.

Мы осуществляем техническую поддержку нашим клиентам и предпродажную проверку качества продукции. На все поставляемые продукты мы предоставляем гарантию .

Осуществляем поставки продукции под контролем ВП МО РФ на предприятия военно-промышленного комплекса России , а также работаем в рамках 275 ФЗ с открытием отдельных счетов в уполномоченном банке. Система менеджмента качества компании соответствует требованиям ГОСТ ISO 9001.

Минимальные сроки поставки, гибкие цены, неограниченный ассортимент и индивидуальный подход к клиентам являются основой для выстраивания долгосрочного и эффективного сотрудничества с предприятиями радиоэлектронной промышленности, предприятиями ВПК и научно-исследовательскими институтами России.

С нами вы становитесь еще успешнее!

### Наши контакты:

**Телефон:** +7 812 627 14 35

**Электронная почта:** [sales@st-electron.ru](mailto:sales@st-electron.ru)

**Адрес:** 198099, Санкт-Петербург,  
Промышленная ул, дом № 19, литера Н,  
помещение 100-Н Офис 331