

# NCN49599

## Product Preview

# Power Line Communication Modem

The NCN49599 is a powerful spread frequency shift keying (S-FSK) communication system-on-chip (SoC) designed for communication in hostile environments.

It combines a low power ARM Cortex M0 processor with a high precision analogue front end and a robust line driver. Based on 4800 baud S-FSK dual-channel technology, it offers an ideal compromise between speed and robustness.

It is functionally compatible with the NCN49597 and NCS5651 chip set, offering frequencies to cover all CENELEC bands for use in applications such as e-metering, home automation and street lighting. The NCN49599 benefits for more than 10 years of field experience in e-metering and delivers innovative features such as a smart synchronization and in-band statistics.

Fully reprogrammable, the modem firmware can be updated in the field. Multiple royalty-free firmware options are available from ON Semiconductor; refer to the separate datasheets for details. The configurable GPIOs allow connecting peripherals such as LCDs or metering ICs.

### Features

- Power Line Communication (PLC) Modem for 50 Hz, 60 Hz and DC Mains
- Embedded Highly Linear 2-stage Power Amplifier with Current Limitation, Thermal Protection, Enable/Shutdown Control, Rail-to-rail Drop of only  $\pm 1$  V at  $I_{out} = 1.5$  A
- Embedded ARM Cortex M0 Processor
- 8 General-purpose IOs Controllable by Software
- Embedded 32 kB RAM; Embedded 2 kB ROM
- Hardware Compliant with CENELEC EN 50065-1 and EN 50065-7
- Half Duplex S-FSK Channel, Data Rate Selectable:
  - 300 – 600 – 1200 – 2400 – 4800 baud (@ 50 Hz);
  - 360 – 720 – 1440 – 2880 – 5760 baud (@ 60 Hz)
- Programmable Carrier Frequencies in CENELEC A, B, C and D Band
- UART for Interfacing with an Application Microcontroller
- Power Supply 3.3 V and 12 V
- Wide Junction Temperature Range:  $-40^{\circ}\text{C}$  to  $+125^{\circ}\text{C}$

### Available Firmware Options

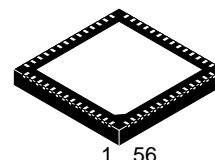
- IEC – Fully IEC61334-5-1, IEC 61334-4-32 and Linky Compliant
- ON PL110 – Mesh Networking with Collision Avoidance and Error Correction

This document contains information on a product under development. ON Semiconductor reserves the right to change or discontinue this product without notice.



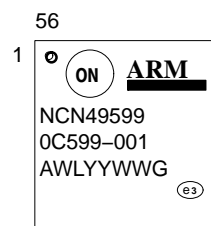
ON Semiconductor®

[www.onsemi.com](http://www.onsemi.com)



QFN56 8x8, 0.5P  
CASE 485CN

### MARKING DIAGRAMS



- A = Assembly Location
- WL = Wafer Lot Traceability
- YYWW = Date Code
- G = Green Designator

### ORDERING INFORMATION

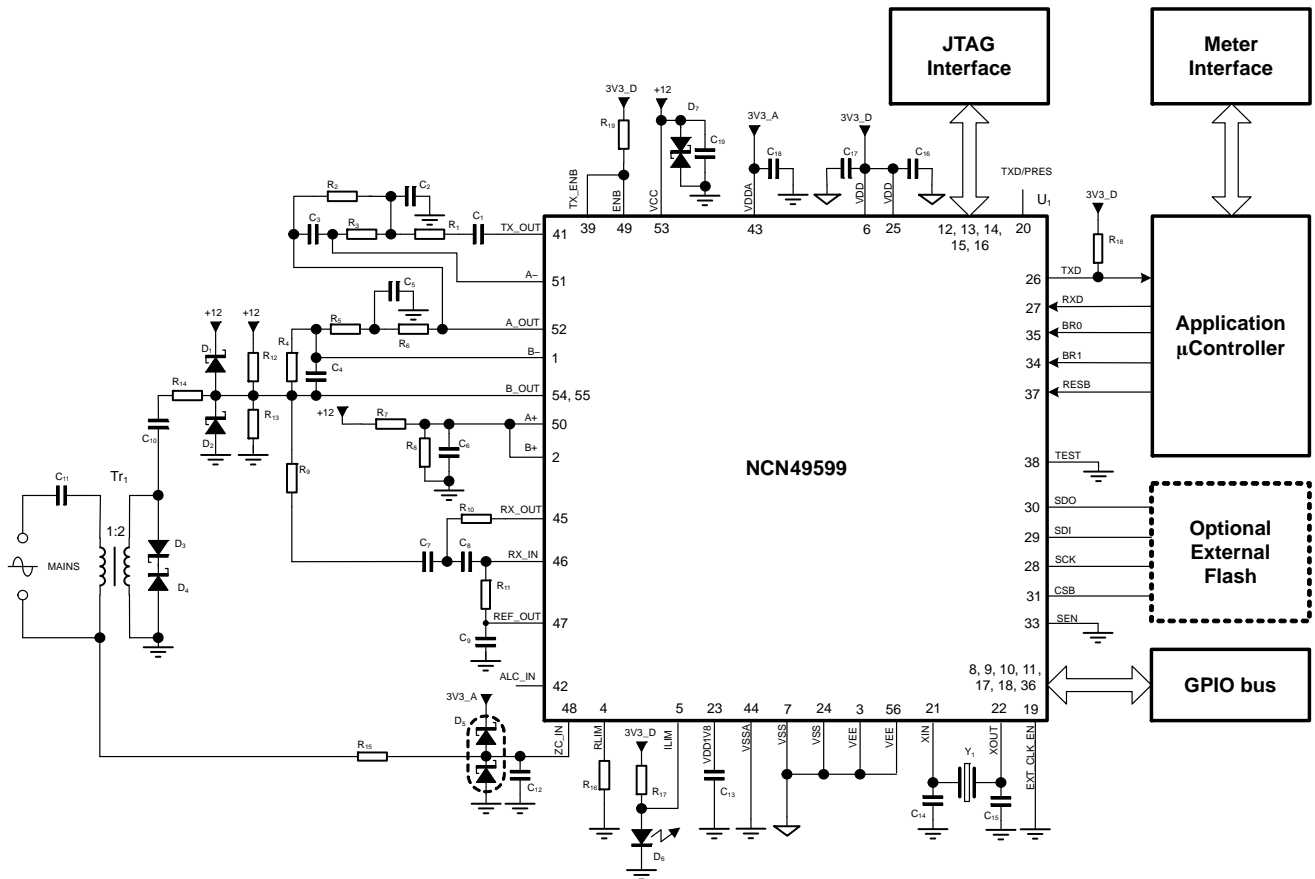
See detailed ordering and shipping information in the package dimensions section on page 33 of this data sheet.

- Complete Handling of Protocol Layers (physical, MAC, LLC)
- Repetition Boosting Robustness and Range of the Communication (IEC firmware)

### Typical Applications

- AMR: Remote Automated Meter Reading
- Building Automation
- Solar Power Control and Monitoring
- Street Light Control and Monitoring
- Transmission of Alerts (fire, gas leak, water leak)

### Application Example



**Figure 1. Typical Application for the NCN49599 S-FSK Modem**

Figure 1 shows an S-FSK PLC modem built around the NCN49599. The design is a good starting point for a CENELEC EN 50065-1-compliant system; for further information refer to the design manual in [1].

This design is not galvanically isolated; safety must be considered when interfacing to a microcontroller or a PC.

For synchronization the mains is coupled in via a 1 MΩ resistor; the Schottky diode pair D<sub>3</sub> clamps the voltage within the input range of the zero crossing detector.

In the receive path a 2<sup>nd</sup> order high pass filter blocks the mains frequency. The corner point – defined by C<sub>7</sub>, C<sub>8</sub>, R<sub>10</sub> and R<sub>11</sub> – is designed at 10 kHz. In the transmit path a 3<sup>rd</sup>

order low pass filter built around the internal power operational amplifier suppresses the 2<sup>nd</sup> and 3<sup>rd</sup> harmonics to be in line with the CENELEC EN50065-1 specification. The filter components are tuned for a space and mark frequency of 63.3 and 74 kHz respectively, typically for e-metering in the CENELEC A-band. The output of the amplifier is coupled via a DC blocking capacitor C<sub>10</sub> to a 2:1 transformer Tr1. The high-voltage capacitor C<sub>11</sub> couples the secondary of this transformer to the mains. High-energetic transients from the mains are clamped by the protection diode combination D<sub>3</sub>, D<sub>4</sub>, together with D<sub>1</sub>, D<sub>2</sub>.

Table 1. EXTERNAL COMPONENTS LIST AND DESCRIPTION

Component	Function and Remarks	Value	Tolerance	Unit
C <sub>1</sub>	TX_OUT signal coupling	470	±20%	nF
C <sub>2</sub>	Low pass transmit filter	470	±10%	pF
C <sub>3</sub>	Low pass transmit filter	68	±10%	pF
C <sub>4</sub>	Low pass transmit filter	3	±10%	pF
C <sub>5</sub>	Low pass transmit filter	2.7	±10%	nF
C <sub>6</sub> , C <sub>16</sub> , C <sub>17</sub> , C <sub>18</sub> , C <sub>19</sub>	Supply decoupling	100	-20 +80%	nF
C <sub>7</sub> , C <sub>8</sub>	High pass receive filter	1	±10%	nF
C <sub>9</sub> , C <sub>13</sub>	Internal 1.8 V supply decoupling; ceramic	10	-20 +80%	μF
C <sub>10</sub>	Transmission signal coupling; 1 A rms ripple @ 70 kHz	10	±20%	μF
C <sub>11</sub>	High Voltage coupling; 630 VDC	220	±20%	nF
C <sub>12</sub>	Zero Cross noise suppression	100	±20%	pF
C <sub>14</sub> , C <sub>15</sub>	Crystal load capacitor	36	±20%	pF
R <sub>1</sub>	Low pass receive filter	3.3	±1%	kΩ
R <sub>2</sub>	Low pass receive filter	8.2	±1%	kΩ
R <sub>3</sub> , R <sub>9</sub> ,	Low pass transmit and high pass receive filter;	10	±1%	kΩ
R <sub>7</sub> , R <sub>8</sub>	Amplifier bias	10	±1%	kΩ
R <sub>12</sub> , R <sub>13</sub>	Receive mode input bias	10	±1%	kΩ
R <sub>18</sub> , R <sub>19</sub>	Pull up	10	±1%	kΩ
R <sub>4</sub>	Low pass transmit filter	3	±1%	kΩ
R <sub>5</sub>	Low pass transmit filter	1	±1%	kΩ
R <sub>6</sub>	Low pass transmit filter	1.6	±1%	kΩ
R <sub>10</sub>	High pass receive filter	15	±1%	kΩ
R <sub>11</sub>	High pass receive filter	30	±1%	kΩ
R <sub>14</sub>	Line transients protection; 0.5 W	0.47	±1%	Ω
R <sub>15</sub>	Zero crossing coupling	1	±5%	MΩ
R <sub>16</sub>	Current protection	5	±1%	kΩ
R <sub>17</sub>	ILIM LED bias	3.3	±5%	kΩ
D <sub>1</sub> , D <sub>2</sub>	High-current Schottky clamp diodes	MBRA430		
D <sub>3</sub> , D <sub>4</sub>	Unidirectional TVS	P6SMB6.8AT3G		
D <sub>5</sub>	Dual low-current Schottky clamp diode	BAS70-04		
D <sub>6</sub>	ILIM LED indication (optional)	LED		
D <sub>7</sub>	TVS	1SMA12CA		
Y <sub>1</sub>	Crystall	48 MHz	50 ppm	
Tr <sub>1</sub>	2:1 signal transformer			
U <sub>1</sub>	PLC modem	NCN49599		

**Table 2. ABSOLUTE MAXIMUM RATINGS**

Rating	Symbol	Min	Max	Unit
<b>POWER SUPPLY PINS VCC, VDD, VDD2, VDDA, VSS, VSSA</b>				
Absolute maximum power amplifier supply	$V_{CC\_ABSM}$	$V_{EE} - 0.3$	13.2	V
Absolute maximum digital amplifier power supply	$V_{DD\_ABSM}$	$V_{SS} - 0.3$	3.9	V
Absolute maximum digital modem power supply	$V_{DD\_ABSM}$	$V_{SS} - 0.3$	3.9	V
Absolute maximum analog power supply	$V_{DDA\_ABSM}$	$V_{SSA} - 0.3$	3.9	V
Absolute maximum difference between digital and analog power supply	$V_{DD} - V_{DDA\_ABSM}$	-0.1	0.1	V
Absolute maximum difference between digital and analog ground	$V_{SS} - V_{SSA\_ABSM}$	-0.1	0.1	V
Absolute maximum difference between digital and power ground	$V_{SS} - V_{EE\_ABSM}$	-0.5	0.5	V
<b>CLOCK PINS XIN, XOUT</b>				
Absolute maximum input for the clock input pin (Note 1)	$V_{XIN\_ABSM18}$	$V_{SS} - 0.2$	$V_{DD18} + 0.2$	V
Absolute maximum voltage at the clock output pin (Note 1)	$V_{XOUT\_ABSM18}$	$V_{SS} - 0.2$	$V_{DD18} + 0.2$	V
<b>NON 5 V SAFE PINS: TX_OUT, ALC_IN, RX_IN, RX_OUT, REF_OUT, ZC_IN, TDO, SCK, SDO, SCB</b>				
Absolute maximum input for normal digital inputs and analog inputs	$V_{N5VSIN\_ABSM}$	$V_{SS} - 0.3$	$V_{DD} + 0.3$	V
Absolute maximum voltage at any output pin	$V_{N5VSOUT\_ABSM}$	$V_{SS} - 0.3$	$V_{DD} + 0.3$	V
Maximum peak input current at the zerocrossing input pin	$I_{mpZC\_IN}$	-20	20	mA
Maximum average input current at the zerocrossing input pin (1 ms)	$I_{mavgZC\_IN}$	-2	2	mA
<b>5 V SAFE PINS: TX_ENB, TXD, RXD, BR0, BR1, IO0..IO9, RESB, TDI, TCK, TMS, TRSTB, TEST, SDI</b>				
Absolute maximum input for digital 5 V safe pins configured as input (Note 2)	$V_{5VSIN\_ABSM}$	$V_{SS} - 0.3$	5.5	V
Absolute maximum voltage at 5V safe pin configured as output (Note 2)	$V_{5VSOUT\_ABSM}$	$V_{SS} - 0.3$	$V_{DD} + 0.3$	V
<b>AMPLIFIER PINS A+, A-, B+, B-, BOUT1, BOUT2, VWARN, XOUT</b>				
Absolute maximum voltage at the analog amplifier pins	$V_{AMPA\_ABSM}$	$V_{SS} - 0.3$	$V_{DD18} + 0.3$	V
Absolute maximum voltage at the amplifier control pins	$V_{AMPC\_ABSM}$	$V_{SS} - 0.3$	$V_{CC} + 0.3$	V

Stresses exceeding those listed in the Maximum Ratings table may damage the device. If any of these limits are exceeded, device functionality should not be assumed, damage may occur and reliability may be affected.

1. The upper maximum voltage rating on the clock pins XIN and XOUT is specified with respect to the output voltage of the internal core voltage regulator. The tolerance of this voltage regulator must be taken into account. In case an external clock is used, care must be taken not to damage the XIN pin.
2. The direction (input or output) of configurable pins (IO0...IO9) depends on the firmware.

**Normal Operating Conditions**

Operating ranges define the limits for functional operation and parametric characteristics of the device as described in the Electrical Characteristics section and for the reliability specifications.

Total cumulative dwell time outside the normal power supply voltage range or the ambient temperature under bias, must be less than 0.1 percent of the useful life.

**Table 3. OPERATING RANGES**

Rating	Symbol	Min	Max	Unit
Power supply voltage range (VDDA and VDD pins)	$V_{DD}, V_{DDA}$	3.0	3.6	V
Power supply voltage range (VCC pin)	$V_{CC}$	6.0	12.0	V
Junction Temperature Range	$T_J$	-40	125	°C
Ambient Temperature Range	$T_A$	-40	85	°C

Functional operation above the stresses listed in the Recommended Operating Ranges is not implied. Extended exposure to stresses beyond the Recommended Operating Ranges limits may affect device reliability.

# NCN49599

## Pin Description – QFN Package

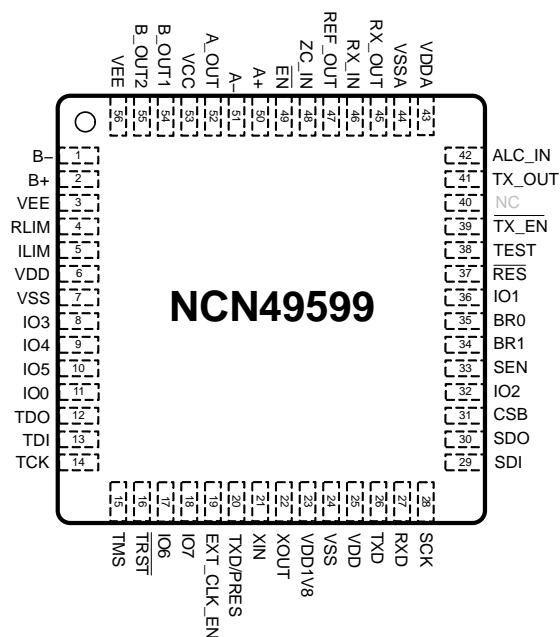


Figure 2. QFN Pin-out of NCN49599 (top view)

Table 4. NCN49599 QFN PIN FUNCTION DESCRIPTION

Pin Number	Pin Name	I/O	Type	Description
1	B-	In	A	Inverting input of operational amplifier B
2	B+	In	A	Non-inverting input of operational amplifier B
3, 56	VEE		P	Negative power supply amplifiers
4	RLIM	In	A	Amplifier B current limit set resistor pin
5	ILIM	In	A	Current limit flag
6, 25	VDD		P	3.3 V digital supply
7, 24	VSS	In	P	Digital ground
8..10, 17, 18	IO3...IO7	In/Out	D, 5VS, ST	General-purpose I/O's (Note 3)
11, 36	IO0, IO1	In/Out	D, 5VS, ST	General-purpose I/O's (Notes 3 and 4)
12	TDO	Out	D	JTAG test data output (Note 5)
13	TDI	In	D, 5VS, PD, ST	JTAG test data input (Note 5)
14	TCK	In	D, 5VS, PD	JTAG test clock (Note 5)
15	TMS	In	D, 5VS, PD	JTAG test mode select (Note 5)
16	TRSTB	In	D, 5VS, PD, ST	JTAG test reset (active low)
19	EXT_CLK_EN	In	D, 5VS, PD, ST	External clock enable input
20	TXD/PRES	Out	D, 5VS	Output of transmitted data (TXD) or PRE_SLOT signal (PRES)
21	XIN	In	A, 1.8V	Crystal oscillator input
22	XOUT	Out	A, 1.8V	Crystal oscillator output (output must be left floating when XIN is driven by external clock)

- The direction and function of the general-purpose I/O's is controlled by the firmware. Depending on the firmware behavior, a general-purpose IO (GPIO) used as an output may appear as an open-drain, push-pull or open-source pin. Refer to the firmware documentation for details.
- During boot (i.e., before firmware has been uploaded) this pin is an output and indicates the status of the boot loader. Once firmware has been loaded, the pin is available as a GPIO.
- During normal operation, this pin must be tied to ground (recommended) or left open.
- If the modem is not loading the firmware from an external SPI memory, it is recommended that this pin is tied to ground or Vdd.
- During normal operation, it is recommended that this pin is tied to ground.
- During normal operation, this pin must be tied to Vdd.
- If a general purpose IO is configured as an output, the pull-down resistor is disconnected.

**Table 4. NCN49599 QFN PIN FUNCTION DESCRIPTION**

Pin Number	Pin Name	I/O	Type	Description
23	VDD1V8		P	1.8 V regulator output. A decoupling capacitor of at least 1 $\mu$ F is required for stability
26	TXD	Out	D, 5VS, OD	UART transmit output
27	RXD	In	D, 5VS	UART receive input
28	SCK	Out	D, 5VS	SPI interface to external Flash: clock
29	SDI	In	D, 5VS, ST	SPI interface to external Flash: serial data input
30	SDO	Out	D, 5VS	SPI interface to external Flash: serial data output
31	CSB	In	D, 5VS	SPI interface to external Flash: chip select
32	IO2	In/Out	D, 5VS, ST	Must be kept low while firmware is loaded over the serial interface; available as a normal GPIO afterwards (Note 3)
33	SEN	In	D, 5VS, PD, ST	Boot mode selection (refer to Boot Loader section)
34	BR1	In	D, 5VS	UART baud rate selection
35	BR0	In	D, 5VS	UART baud rate selection
37	RESB	In	D, 5VS, ST	Reset (active low)
38	TEST	In	D, 5VS, ST, PD	Production hardware test enable (Note 5)
39	TX_ENB	Out	D, 5VS, OD	Transmit enable (active low)
40	NC	This pin is not connected and must be connected to ground (recommended) or left open		
41	TX_OUT	Out	A	Transmitter output
42	ALC_IN	In	A	Automatic level control input
43	VDDA		P	3.3 V analog supply
44	VSSA		P	Analog ground
45	RX_OUT	Out	A	Output of receiver operational amplifier
46	RX_IN	In	A	Non-inverting input of receiver operational amplifier
47	REF_OUT	Out	A	Internal voltage reference. A decoupling capacitor of at least 1 $\mu$ F is required for stability
48	ZC_IN	In	A	50/60 Hz input for mains zero crossing detection
49	ENB	In	D	Enable / shutdown power amplifier (active low)
50	A+	In	A	Non-inverting input of operational amplifier A
51	A-	In	A	Inverting input of operational amplifier A
52	A_OUT	Out	A	Output of operational amplifier A
53	VCC		P	Positive supply for power amplifiers A and B
54	B_OUT1	Out	A	Output of operational amplifier B
55	B_OUT2	Out	A	Output of operational amplifier B

3. The direction and function of the general-purpose I/O's is controlled by the firmware. Depending on the firmware behavior, a general-purpose IO (GPIO) used as an output may appear as an open-drain, push-pull or open-source pin. Refer to the firmware documentation for details.
4. During boot (i.e., before firmware has been uploaded) this pin is an output and indicates the status of the boot loader. Once firmware has been loaded, the pin is available as a GPIO.
5. During normal operation, this pin must be tied to ground (recommended) or left open.
6. If the modem is not loading the firmware from an external SPI memory, it is recommended that this pin is tied to ground or Vdd.
7. During normal operation, it is recommended that this pin is tied to ground.
8. During normal operation, this pin must be tied to Vdd.
9. If a general purpose IO is configured as an output, the pull-down resistor is disconnected.

P: Power pin  
 A: Analogue pin  
 D: Digital pin  
 PD: Internal Pull Down resistor (Note 9)  
 OD: Open Drain Output

5VS: 5 V safe; pin that supports the presence of 5 V if used as input or as open-drain output  
 Out: Output signal  
 In: Input signal

**ELECTRICAL CHARACTERISTICS**

All parameters are valid for  $T_J = -40^{\circ}\text{C}$  to  $125^{\circ}\text{C}$ ,  $V_{DD} = 3.3\text{ V}$ ,  $V_{CC} = 12\text{ V}$ ,  $V_{EE} = 0\text{ V}$ ,  $f_{CLK} = 48\text{ MHz} \pm 50\text{ ppm}$  unless otherwise specified.

**Internal voltage regulator: pin VDD1V8**

**Table 5. POWER SUPPLY AND VOLTAGE REFERENCE**

Parameter	Test Conditions	Symbol	Min	Typ	Max	Unit
Internal voltage regulator output		$V_{DD18}$	1.62	1.80	1.98	V
$V_{DD}$ and $V_{DDA}$ current consumption	During reception (Note 10)	$I_{RX}$		40	60	mA
	During transmission (Note 10)	$I_{TX}$		40	60	mA
	RESB = 0	$I_{RESET}$			4	mA
$V_{CC}$ quiescent current consumption	ENB = 0; no load	$I_{Q\_EN}$		20	40	mA
	ENB = 1	$I_{Q\_HiZ}$		120	150	$\mu\text{A}$

10. With typical firmware. The exact value depends on the firmware variant loaded and the firmware configuration.

**Oscillator: pin XIN, XOUT**

In production the actual oscillation of the oscillator and duty cycle will not be tested. The production test will be based on the static parameters and the inversion from XIN to XOUT in order to guarantee the functionality of the oscillator.

**Table 6. OSCILLATOR**

Parameter	Test Conditions	Symbol	Min	Typ	Max	Unit
Duty cycle with quartz connected			35		65	%
Start-up time		$T_{startup}$			15	ms
Load capacitance external crystal		$C_L$			18	pF
Series resistance external crystal		$R_S$	1	6	60	$\Omega$
Maximum Capacitive load on XOUT	XIN used as clock input	$CL_{XOUT}$			15	pF
Low input threshold voltage	XIN used as clock input	$V_{IL_{XOUT}}$	$0.3 V_{DD18}$			V
High input threshold voltage	XIN used as clock input	$V_{IH_{XOUT}}$			$0.7 V_{DD18}$	V
Low output voltage	XIN used as clock input, XOUT = 2 mA	$V_{OL_{XOUT}}$			0.3	V
High input voltage	XIN used as clock input	$V_{OH_{XOUT}}$			$V_{DD18} - 0.3$	V
Rise and fall time on XIN	XIN used as clock input	$t_{rXIN\_EXT}$			1.5	ns

**Zero Crossing detector and 50/60 Hz PLL: pin ZC\_IN**

**Table 7. ZERO CROSSING DETECTOR AND 50/60 HZ PLL**

Parameter	Test Conditions	Symbol	Min	Typ	Max	Unit
Mains voltage input range	With protection resistor at ZC_IN (Note 11)	$V_{MAINS}$	90		550	$V_{PK}$
Rising threshold level		$V_{IR_{ZC\_IN}}$			1.9	V
Falling threshold level		$V_{IF_{ZC\_IN}}$	0.85			V
Hysteresis		$V_{HY_{ZC\_IN}}$	0.4			V
Lock range (Note 12)	R_CONF[0] = 0 (50 Hz)	Flock <sub>50Hz</sub>	45		55	Hz
	R_CONF[0] = 1 (60 Hz)	Flock <sub>60Hz</sub>	54		66	Hz
Lock time (Note 12)	R_CONF[0] = 0 (50 Hz)	Tlock <sub>50Hz</sub>			15	s
	R_CONF[0] = 1 (60 Hz)	Tlock <sub>60Hz</sub>			20	s

11. This parameter is not tested in production.

12. These parameters will not be measured in production as the performance is determined by a digital circuit. Correct operation of this circuit will be guaranteed by the digital test patterns.

**Table 7. ZERO CROSSING DETECTOR AND 50/60 HZ PLL**

Parameter	Test Conditions	Symbol	Min	Typ	Max	Unit
Frequency variation without going out of lock (Note 12)	R_CONF[0] = 0 (50 Hz)	DF <sub>60Hz</sub>			0.1	Hz/s
Frequency variation without going out of lock (Note 12)	R_CONF[0] = 1 (60 Hz)	DF <sub>50Hz</sub>			0.1	Hz/s
Jitter of CHIP_CLK (Note 12)		Jitter <sub>CHIP_CLK</sub>			25	μs

11. This parameter is not tested in production.

12. These parameters will not be measured in production as the performance is determined by a digital circuit. Correct operation of this circuit will be guaranteed by the digital test patterns.

**Transmitter External Parameters: pin TX\_OUT, ALC\_IN, TX\_ENB**

**Table 8. TRANSMITTER EXTERNAL PARAMETERS**

Parameter	Test Conditions	Symbol	Min	Typ	Max	Unit
AC output level	f <sub>TX_OUT</sub> = 23 – 75 kHz (Note 13) f <sub>TX_OUT</sub> = 148.5 kHz (Note 13)	V <sub>TX_OUT</sub>	0.85 0.76		1.15 1.22	V <sub>PK</sub> V <sub>PK</sub>
DC output level		V <sub>TX_OUT</sub>		1.65		V
Second order harmonic distortion	f <sub>TX_OUT</sub> = 148.5 kHz (Note 13)	HD2			-55	dB
Third order harmonic distortion	f <sub>TX_OUT</sub> = 148.5 kHz (Note 13)	HD3			-57	dB
Transmitted carrier frequency resolution		Rf <sub>TX_OUT</sub>	11.44		11.44	Hz
Transmitted carrier frequency accuracy	(Note 14)	Df <sub>TX_OUT</sub>			30	Hz
Capacitive output load at pin TX_OUT	(Note 14)	CL <sub>TX_OUT</sub>			20	pF
Resistive output load at pin TX_OUT		RL <sub>TX_OUT</sub>	5		5	kΩ
Turn off delay of TX_ENB output		T <sub>dTX_ENB</sub>	0.25		0.5	ms
Automatic level control attenuation step		ALC <sub>step</sub>	2.9		3.1	dB
Maximum attenuation		ALC <sub>range</sub>	20.3		21.7	dB
Low threshold level on ALC_IN	With DC bias equal to V <sub>REF_OUT</sub>	V <sub>TLALC_IN</sub>	0.34		0.46	V <sub>PK</sub>
High threshold level on ALC_IN	With DC bias equal to V <sub>REF_OUT</sub>	V <sub>THALC_IN</sub>	0.54		0.72	V <sub>PK</sub>
Input impedance of ALC_IN pin		R <sub>ALC_IN</sub>	111		189	kΩ
Power supply rejection ratio of the transmitter section	f = 50 Hz (Note 15) f = 10 kHz (Note 15)	PSRR <sub>TX_OUT</sub>	32 10			dB
Transmit cascade gain (Note 16)	f = 10 kHz f = 148.5 kHz f = 195 kHz f = 245 kHz f = 500 kHz f = 1 MHz f = 2 MHz	V <sub>TX_PPF_10kHz</sub> V <sub>TX_LPF_148kHz5</sub> V <sub>TX_LPF_195kHz</sub> V <sub>TX_LPF_245kHz</sub> V <sub>TX_LPF_500kHz</sub> V <sub>TX_LPF_1000kHz</sub> V <sub>TX_LPF_2000kHz</sub>	-0.5 -1.3 -4.5		0.5 0.5 -1.5 -3 -18	dB

13. With the level control register set for maximal output amplitude. Tested with low pass filter tuned for CENELEC D-band.

14. This parameter will not be tested in production.

15. A sinusoidal signal of 100 mVpp is injected between VDDA and VSSA while the digital AD converter generates an idle pattern. The signal level at TX\_OUT is measured to determine the parameter.

16. The cascade of the digital-to-analog converter (DAC), low-pass filter (LPF), and transmission amplifier is production tested and must have a frequency characteristic between the limits listed. The level is specified relative to the level at DC; the absolute output level will depend on the operating condition.

This test is done with the low-pass filter (LPF) tuned to include the CENELEC D-band. In production the measurement will be done for relative to DC with a signal amplitude of 100 mV.



Power amplifier parameters: Pin A+, A-, A\_OUT, B+, B-, BOUT1&2, VSS, VEE, ENB, ILIM, RLIM

**Table 9. POWER AMPLIFIER GENERAL PARAMETERS**

Parameter	Test Conditions	Symbol	Min	Typ	Max	Unit
Output shutdown time	ENB 0 → 1			60		ns
Output enable time	ENB 1 → 0			5	10	μs
Junction temperature shutdown threshold	(Note 17)		+150	+160		°C
Junction temperature shutdown recovery threshold	(Note 17)			+135		°C
ENB input level high		V <sub>IH,EN</sub>	2			V
ENB input level low		V <sub>IL,EN</sub>			0.8	V
ENB input current	V <sub>ENB</sub> = 3.3 V			10		μA
	V <sub>ENB</sub> = 0 V			0.1		μA
ILIM flag output high level		V <sub>IH,EN</sub>			2	V
ILIM flag output low level		V <sub>IL,EN</sub>	0.8			V

17. Characterization data only. Not tested in production.

**Table 10. POWER AMPLIFIER EXTERNAL PARAMETERS OP AMP A**

Parameter	Test Conditions	Symbol	Min	Typ	Max	Unit
Input offset voltage		V <sub>OS,A</sub>		±3	±10	mV
Offset vs power supply	V <sub>CC</sub> = +6 V, V <sub>EE</sub> = -6 V	PSRR <sub>A</sub>		25	150	μV/V
Input bias current	(Note 18)	I <sub>B,A</sub>			1	nA
Input voltage noise density	f = 1 kHz, V <sub>IN</sub> = GND, BW = 131 kHz (Note 18)	e <sub>n,A</sub>		250		nV/√Hz
Common-mode voltage range		V <sub>CM,A</sub>	V <sub>EE</sub> - 0.1		V <sub>CC</sub> - 3	V
Common-mode rejection ratio	V <sub>EE</sub> - 0.1 ≤ V <sub>CM</sub> ≤ V <sub>CC</sub> - 3	CMRR <sub>A</sub>	70	85		dB
Differential input impedance		Z <sub>IDM,A</sub>		0.2   1.5		GΩ   pF
Common-mode input impedance		Z <sub>ICM,A</sub>		0.2   3		GΩ   pF
Open-loop gain	R <sub>L</sub> = 500 Ω (Note 18)	A <sub>OL,A</sub>	80	100		dB
Gain bandwidth product		GBW <sub>A</sub>		80		MHz
Full power bandwidth	G = +5, V <sub>out</sub> = 11 V <sub>PP</sub> (Note 18)		0.2	1.5		MHz
Slew rate		SR <sub>A</sub>		60		V/μs
Total harmonic distortion and noise	G = +1, R <sub>L</sub> = 500 Ω, V <sub>O</sub> = 8 V <sub>PP</sub> , f = 1 kHz, C <sub>IN</sub> = 220 μF, C <sub>OUT</sub> = 330 μF	THD+N <sub>A</sub>		0.015		%
	G = +1, R <sub>L</sub> = 50 Ω, V <sub>O</sub> = 8 V <sub>PP</sub> , f = 100 kHz, C <sub>IN</sub> = 220 μF, C <sub>OUT</sub> = 330 μF	THD+N <sub>A</sub>		0.023		%
Voltage output swing from rail	V <sub>CC</sub> = +12 V, V <sub>EE</sub> = 0 V					
From positive rail	I <sub>L</sub> = -12 mA	V <sub>OH,A</sub>		0.3	1	V
From negative rail	I <sub>L</sub> = +12 mA	V <sub>OL,A</sub>		0.3	1	V
Short-circuit current		I <sub>SC,A</sub>		280		mA
Output impedance	Closed Loop G = +4, f = 100 kHz	Z <sub>O,A</sub>		0.25		Ω
Capacitive load drive		C <sub>LOAD,A</sub>		100		pF

18. Characterization data only. Not tested in production.

**Table 11. POWER AMPLIFIER EXTERNAL PARAMETERS OP AMP B**

Parameter	Test Conditions	Symbol	Min	Typ	Max	Unit
Input offset voltage		$V_{OS,B}$		±3	±10	mV
Offset vs power supply		$PSRR_B$		25	150	μV/V
Input bias current	(Note 19)	$I_{B,B}$			1	nA
Input voltage noise density	$f = 1 \text{ kHz}, V_{IN} = \text{GND},$ $BW = 131 \text{ kHz}$	$e_{n,B}$		125		nV/√Hz
Common-mode voltage range		$V_{CM,B}$	$V_{EE} - 0.1$		$V_{CC} - 3$	V
Common-mode rejection ratio	$V_{EE} - 0.1 \leq V_{CM} \leq V_{CC} - 3$	$CMRR_B$	70	85		dB
Differential input impedance		$Z_{IDM,B}$		0.2   11		GΩ   pF
Common-mode input impedance		$Z_{ICM,B}$		0.2   22		GΩ   pF
Open-loop gain	$R_L = 5 \Omega$ (Note 19)	$A_{OL,B}$	80	100		dB
Gain bandwidth product		$GBW_B$		60		MHz
Full power bandwidth	$G = +2, V_{out} = 11 V_{PP}$ (Note 19)		200	400		kHz
Slew rate		$SR_B$		70		V/μs
Total harmonic distortion and noise	$G = +1, R_L = 50 \Omega, V_O = 8 V_{PP},$ $f = 1 \text{ kHz}$	THD+N <sub>B</sub>		0.015		%
	$G = +1, R_L = 50 \Omega, V_O = 8 V_{PP},$ $f = 100 \text{ kHz}$	THD+N <sub>B</sub>		0.067		%
Voltage output swing from positive rail	$I_{OUT} = -1.5 \text{ A @ } T_J = 25^\circ\text{C}$	$V_{OH,B}$		0.7	1	V
	$I_{OUT} = -1.0 \text{ A @ } T_J = 125^\circ\text{C}$	$V_{OH,B}$		0.7	1	V
Voltage output swing from negative rail	$I_{OUT} = +1.5 \text{ A @ } T_J = 25^\circ\text{C}$	$V_{OH,B}$		0.4	1	V
	$I_{OUT} = +1.0 \text{ A @ } T_J = 125^\circ\text{C}$	$V_{OH,B}$		0.4	1	V
Short-circuit current	$R_{LIM} = 5 \text{ k}\Omega$	$I_{SC,B}$	1.2			A
Output impedance	Closed Loop $G = +1,$ $f = 100 \text{ kHz}$					
	ENB = 0 (enabled)	$Z_{O,B}$		0.065		Ω
	ENB = 1 (shutdown)	$Z_{O,B}$		12		MΩ
Capacitive load drive		$C_{LOAD,B}$		500		nF

19. Characterization data only. Not tested in production.

**Receiver External Parameters: Pin RX\_IN, RX\_OUT, REF\_OUT**

**Table 12. RECEIVER EXTERNAL PARAMETERS**

Parameter	Test Conditions	Symbol	Min	Typ	Max	Unit
Input offset voltage	AGC gain = 42 dB	$V_{OFFS\_RX\_IN}$			5	mV
	AGC gain = 0 dB	$V_{OFFS\_RX\_IN}$			50	mV
Max. peak input voltage (corresponding to 62.5% of the ADC full scale)	AGC gain = 0 dB (Note 20)	$V_{MAX\_RX\_IN}$	0.85		1.15	$V_{PK}$
Input referred noise of the analog receiver path	AGC gain = 42 dB (Notes 20 and 21)	$NF_{RX\_IN}$			150	nV/√Hz
Input leakage current of receiver input		$I_{LE\_RX\_IN}$	-1		1	μA

20. Input at RX\_IN, no other external components.

21. Characterization data only. Not tested in production.

22. A sinusoidal signal of 100 mVpp is injected between VDDA and VSSA. The signal level at the differential LPF\_OUT and REF\_OUT output is measured to determine the parameter. The AGC gain is fixed at 42 dB.

23. These parameters will be tested in production with an input signal of 95 kHz and 1  $V_{PK}$  by reading out the digital samples at the output of the ADC. The AGC gain is switched to 0 dB.

24. The cascade of the receive low-pass filter (LPF), AGC and low noise amplifier is production tested and must have a frequency characteristic between the limits listed. The level is specified relative to the level at DC; the absolute output level will depend on the operating condition. This test is done with the low-pass filter (LPF) tuned to include the CENELEC D-band.

**Table 12. RECEIVER EXTERNAL PARAMETERS**

Parameter	Test Conditions	Symbol	Min	Typ	Max	Unit
Max. current delivered by REF_OUT		$I_{Max\_REF\_OUT}$	-300		300	$\mu A$
Power supply rejection ratio of the receiver input section	f = 50 Hz (Note 22)	PSRR <sub>LPF_OUT</sub>	35			dB
	f = 10 kHz (Note 22)		10			dB
AGC gain step		AGC <sub>step</sub>	5.3		6.7	dB
AGC range		AGC <sub>range</sub>	39.9		44.1	dB
Analog ground reference output voltage	Load current $\pm 300 \mu A$	V <sub>REF_OUT</sub>	1.52	1.65	1.78	V
Signal to noise ratio	Signal amplitude of 62.5% of the full scale of the ADC (Notes 20 and 23)	SN <sub>AD_OUT</sub>	54			dB
Clipping level at the output of the gain stage (RX_OUT)		V <sub>CLIP_AGC_IN</sub>	1.05		1.65	V <sub>PK</sub>
Receive cascade gain (Note 24)	f = 10 kHz, A = 250 mVpk	V <sub>RX_LPF_10kHz</sub>	-0.5	0	0.5	dB
	f = 148.5 kHz, A = 250 mVpk	V <sub>RX_LPF_148.5kHz</sub>	-1.3		0.5	
	f = 195 kHz, A = 250 mVpk	V <sub>RX_LPF_195kHz</sub>	-4.5		-1	
	f = 245 kHz, A = 250 mVpk	V <sub>RX_LPF_245kHz</sub>			-3	
	f = 500 kHz, A = 250 mVpk	V <sub>RX_LPF_500kHz</sub>			-18	
	f = 1 MHz	V <sub>RX_LPF_1000kHz</sub>		-36		
	f = 2 MHz	V <sub>RX_LPF_2000kHz</sub>		-50		

20. Input at RX\_IN, no other external components.

21. Characterization data only. Not tested in production.

22. A sinusoidal signal of 100 mVpp is injected between VDDA and VSSA. The signal level at the differential LPF\_OUT and REF\_OUT output is measured to determine the parameter. The AGC gain is fixed at 42 dB.

23. These parameters will be tested in production with an input signal of 95 kHz and 1 V<sub>PK</sub> by reading out the digital samples at the output of the ADC. The AGC gain is switched to 0 dB.

24. The cascade of the receive low-pass filter (LPF), AGC and low noise amplifier is production tested and must have a frequency characteristic between the limits listed. The level is specified relative to the level at DC; the absolute output level will depend on the operating condition. This test is done with the low-pass filter (LPF) tuned to include the CENELEC D-band.

**Power-on-Reset (POR)**

**Table 13. POWER-ON-RESET**

Parameter	Test Conditions	Symbol	Min	Typ	Max	Unit
POR threshold (Note 25)	V <sub>DD</sub> and V <sub>DDA</sub> rising	V <sub>PORH</sub>			2.7	V
	V <sub>DD</sub> and V <sub>DDA</sub> falling	V <sub>PORL</sub>	2.1			
Power supply rise time	0 to 3 V on both VDD and VDDA	T <sub>RPOR</sub>	1			ms

25. The nominal voltage on the pins VDD and VDDA (the digital and analog power supply) must be equal; both supply rails must be switched together.

**Digital Outputs: TDO, SCK, SDO, CSB, IO0..IO7**

**Table 14. DIGITAL OUTPUTS: TDO, SCK, SDO, CSB, IO0..IO7**

Parameter	Test Conditions	Symbol	Min	Typ	Max	Unit
Low output voltage (Note 26)	I <sub>XOUT</sub> = 4 mA	V <sub>OL</sub>			0.4	V
High output voltage (Note 26)	I <sub>XOUT</sub> = -4 mA	V <sub>OH</sub>	0.85 V <sub>DD</sub>			V

26. For IO0..IO7, this parameter only applies if the pin is configured as output pin by the firmware.

Digital Outputs with Open Drain: TX\_ENB, TXD, DATA/PRES

Table 15. DIGITAL OUTPUTS WITH OPEN DRAIN: TX\_ENB, TXD, DATA/PRES

Parameter	Test Conditions	Symbol	Min	Typ	Max	Unit
Low output voltage	$I_{XOUT} = 4 \text{ mA}$	$V_{OL}$			0.4	V

Digital Inputs: BR0, BR1

Table 16. DIGITAL INPUTS: BR0, BR1

Parameter	Test Conditions	Symbol	Min	Typ	Max	Unit
Low input level		$V_{IL}$			$0.2 V_{DD}$	V
High input level	0 to 3 V	$V_{IH}$	$0.8 V_{DD}$			V
Input leakage current		$I_{LEAK}$	-2		2	$\mu\text{A}$

Digital Inputs with Pull-down: TDI, TMS, TCK, TRSTB, TEST, SEN

Table 17. DIGITAL INPUTS WITH PULL-DOWN: TDI, TMS, TCK, TRSTB, TEST, SEN

Parameter	Test Conditions	Symbol	Min	Typ	Max	Unit
Low input level		$V_{IL}$			$0.2 V_{DD}$	V
High input level		$V_{IH}$	$0.8 V_{DD}$			V
Pull-down resistor	Measured at $V_{pin} = V_{DD} / 2$	$R_{PU}$	35	100	170	$k\Omega$

Digital Schmitt Trigger Inputs: RXD, RESB, IO0..IO7, SDI

Table 18. DIGITAL SCHMITT TRIGGER INPUTS: RXD, RESB, IO0..IO7, SDI

Parameter	Test Conditions	Symbol	Min	Typ	Max	Unit
Rising threshold level (Note 27)		$V_{T+}$			$0.80 V_{DD}$	V
Falling threshold level (Note 27)		$V_{T-}$	$0.2 V_{DD}$			V
Input leakage current (Note 27)		$I_{LEAK}$	-2		2	$\mu\text{A}$

27. For IO0...IO7, this parameter only applies if the pin is configured as input pin by the firmware.

Boat Loader Timing

NOTE: The timing constraints shown in Table 19 governing the boot loader when uploading firmware over the serial interface are illustrated in Figure 3.

Parameters are valid for a baud rate of 115'200.

Table 19. BOOT LOADER TIMING

Parameter	Test Conditions	Symbol	Min	Typ	Max	Unit
IO2 setup time to falling edge of RESB	(Note 28)	$t_{2s}$	5			$\mu\text{s}$
Boot loader startup time	(Notes 28 and 29)	$t_{stx}$		135	200	ms
Inter-byte timeout sent to modem	(Note 28)	$t_{IB}$			20	ms
Boot loader acknowledgement after last byte correctly received	(Note 28)	$t_{ACK}$		3.6	12	ms
IO2 hold time after start of acknowledgement byte transmission	(Note 28)	$t_{2h}$	36			$\mu\text{s}$

28. These parameters will not be measured in production as the performance is determined by a digital circuit.

29. This parameter is specified with the oscillator stable. Refer to Tstartup for oscillator startup information.

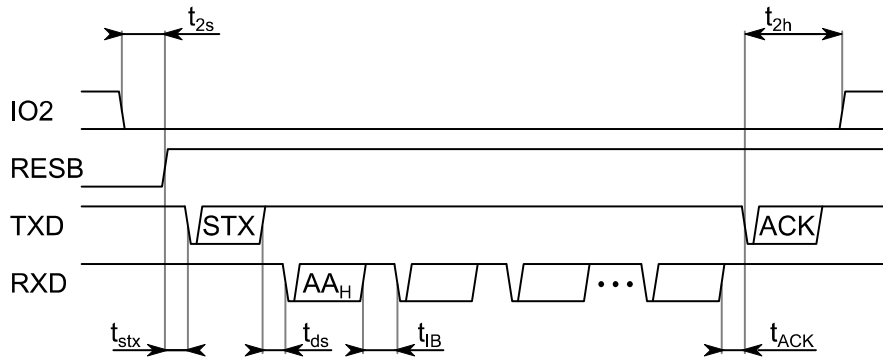


Figure 3. Timing constraints for uploading the firmware over the serial communication interface (SCI)

TYPICAL CHARACTERISTICS

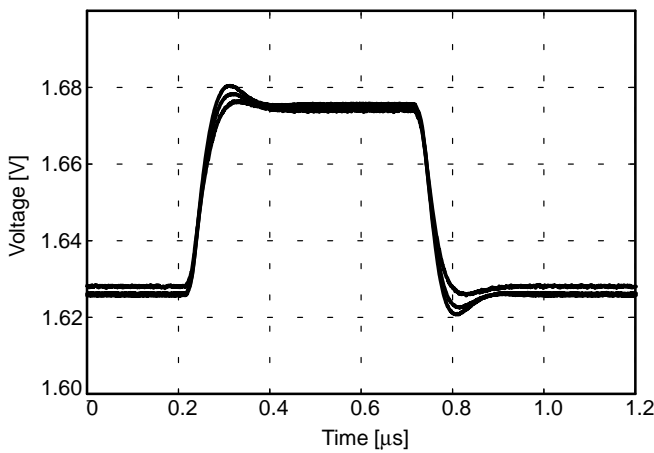


Figure 4. Receiver opamp – Small signal transient response for (top to centre) no load, 10 kΩ load, 3.6 kΩ load

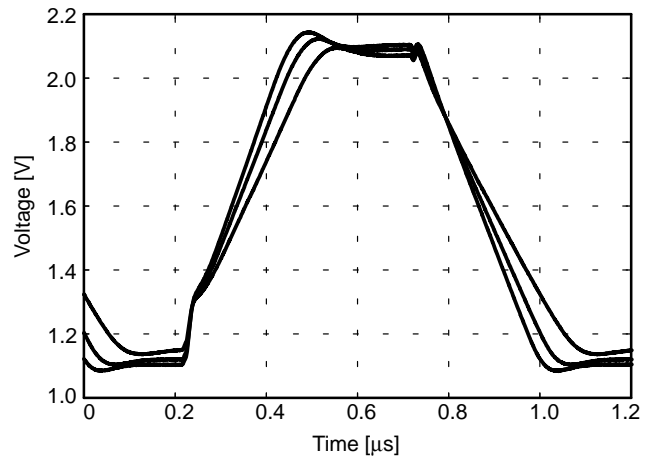


Figure 5. Receiver opamp – Large signal transient response for (top to centre) no load, 10 kΩ load, 3.6 kΩ load

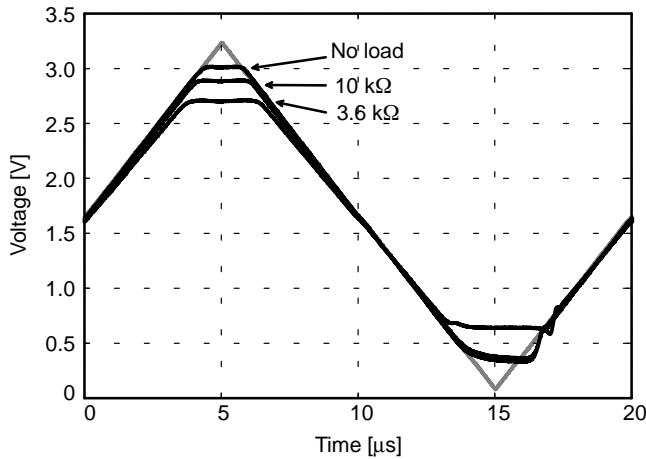


Figure 6. Receiver opamp – Output overdrive recovery behaviour. The input signal is shown in grey.

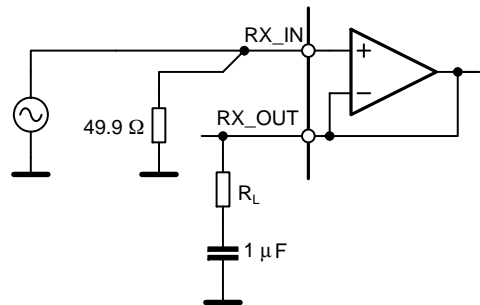


Figure 7. Test Circuit for Figures 4–6

TYPICAL CHARACTERISTICS

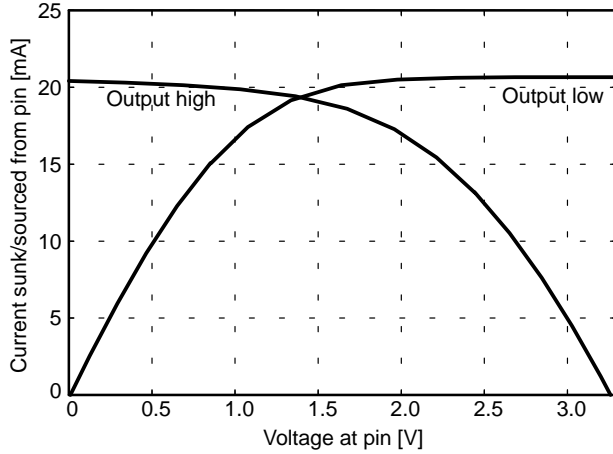


Figure 8. GPIO current sourcing and sinking capability

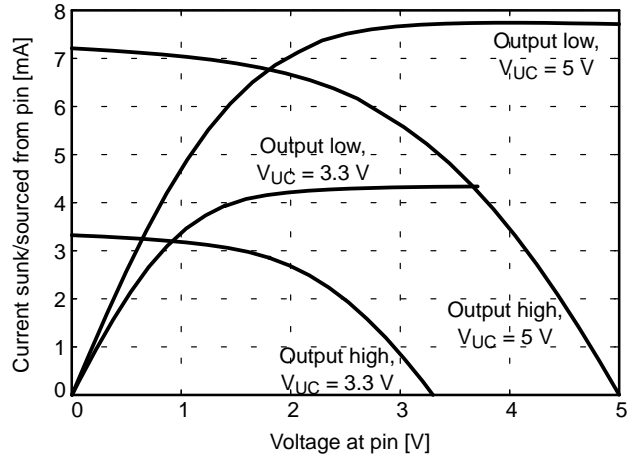


Figure 9. Overcurrent flag pin (ILIM) current sourcing and sinking capability

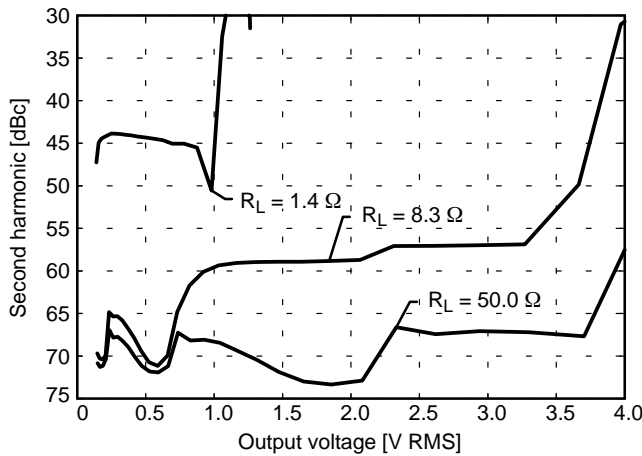


Figure 10. Second harmonic distortion of the output opamp vs. output amplitude, for  $f = 100$  kHz and  $R_L$  (top to bottom) =  $1.4 \Omega$ ,  $8.3 \Omega$ ,  $50 \Omega$

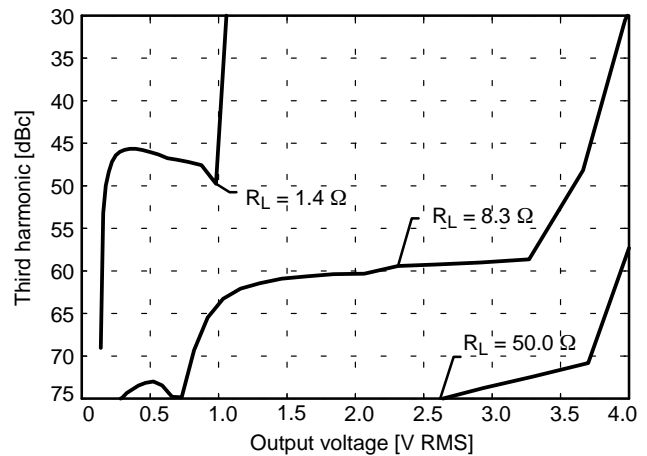


Figure 11. Third harmonic distortion of the output opamp vs. output amplitude, for  $f = 100$  kHz and  $R_L$  (top to bottom) =  $1.4 \Omega$ ,  $8.3 \Omega$ ,  $50 \Omega$

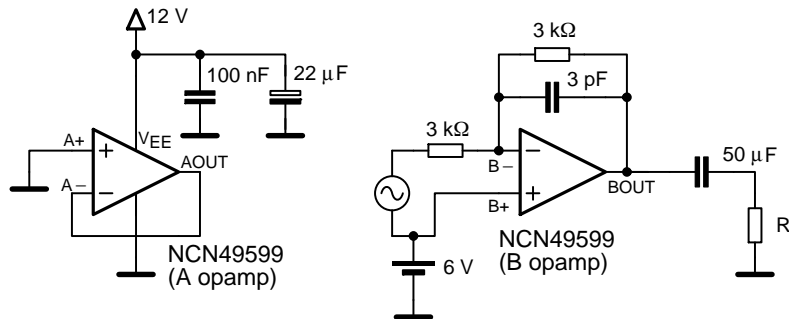


Figure 12. Test Circuit for Figures 10 and 11

GENERAL DESCRIPTION

The NCN49599 is a single-chip half duplex S-FSK modem with an integrated line driver. It is designed for hostile communication environments with very low signal-to-noise ratio (SNR) and high interference. It is particularly suited for power line carrier (PLC) data transmission on low-or medium-voltage power lines. Together with firmware, the device handles of the lower layers of communication protocols. Firmware solutions are provided by ON Semiconductor royalty-free for the two most popular standards: the IEC 61334-5-1 standard primarily intended for automatic meter reading (AMR) and the ON PL110 protocol primarily intended for building and process automation. Both variants handle the physical, Media Access Control (MAC) and Logical Link Control (LLC) layers on-chip. For more information, refer to the dedicated software datasheets.

Because the lower layers are handled on-chip, the NCN49599 provides an innovative architectural split. The user benefits from a higher level abstraction. Compared to a low-level interface, the NCN49599 allows faster

development of applications: the user just needs to send the raw data to the NCN49599 and no longer has to take care of the details of the transmission over the specific medium. The latter part easily represents half of the software development cost.

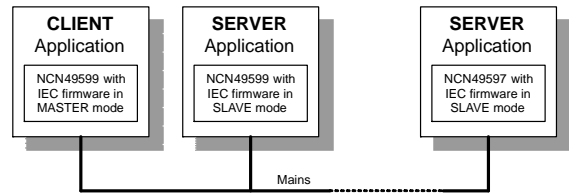


Figure 13. Application example: a network topology for a three-node IEC 61334-5-1 network

A typical system-level application is show in Figure 13. Here, two NCN49599 modems and an NCN49597 modem in combination with the IEC 61334-5-1 firmware connect equipment using power line communication.

Figure 14 shows the building blocks of the NCN49599. Refer to the sections below for a detailed description.

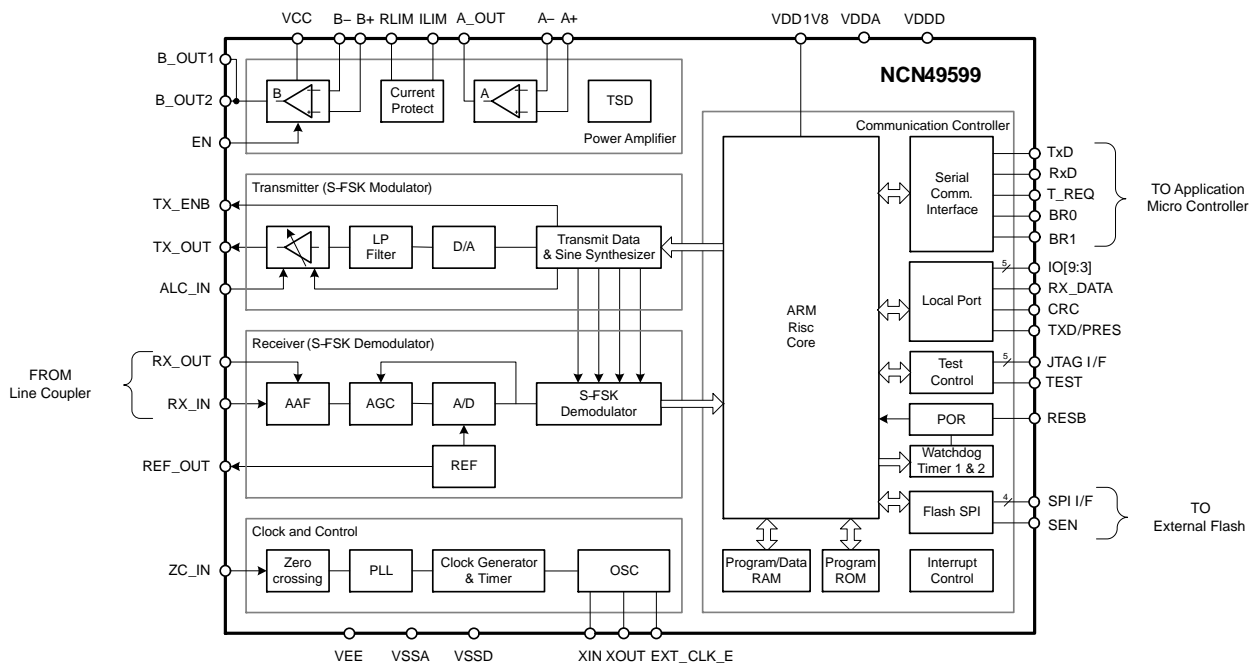


Figure 14. Block Diagram of the NCN49599 S-FSK Modem

NCN49599 complies with the CENELEC EN 50065-1, EN 50065-7 and the IEC 61334-5-1 standards. It operates from a single 3.3 V power supply and is interfaced to the power line by an external line driver and transformer. An internal PLL is locked to the mains frequency and is used to synchronize the data transmission at data rates of 300, 600, 1200, 2400 and 4800 baud for a 50 Hz mains frequency, or 360, 720, 1440, 2880 and 5760 baud for a 60 Hz mains frequency. In both cases this corresponds to 3, 6, 12 or 24 data bits per half cycle of the mains period.

S-FSK is a modulation and demodulation technique that combines some of the advantages of a classical spread spectrum system (e.g. immunity against narrow band interferers) with the advantages of the classical FSK system (low complexity). The transmitter assigns the space frequency  $f_s$  to “data 0” and the mark frequency  $f_m$  to “data 1”. In contrast to classical FSK, the modulation carriers  $f_s$  and  $f_m$  used in S-FSK are placed well apart. As interference and signal attenuation seen at the carrier frequencies are now less correlated, this results in making their transmission

quality independent from each other. Thus, more robust communication is possible in interference-prone environments. The frequency pairs supported by the NCN49599 are in the range of 9–150 kHz with a typical separation of 10 kHz.

The NCN49599 incorporates a line driver for transmission, enabling communication over low-impedance lines. The line driver is described in detail in the Power Amplifier section.

The conditioning and conversion of the signal is performed at the analogue front-end of the circuit. All further processing of the signal and the handling of the protocol is fully digital. The digital processing of the signal is partitioned between hardwired blocks and a microprocessor block. Where timing is most critical, the functions are implemented with dedicated hardware. For the functions where the timing is less critical – typically the higher level functions – the circuit makes use of an integrated ARM microprocessor core. An internal

random-access memory (RAM) stores the firmware and the working data.

After the modem has been reset, the user must upload the firmware into the modem memory. This may be done over the asynchronous serial interface (discussed below); alternatively, the modem can autonomously retrieve the firmware from an attached SPI memory. For details, refer to Boot Loader section.

The modem communicates to the application microcontroller over a Serial Communication Interface (SCI), a standard asynchronous serial link, which allows interfacing with any microcontroller with a free UART. The SCI works on two wires: TXD and RXD. The baud rate is programmed by setting two pins (BR0, BR1). The NCN49599 is functionally equivalent to the combination of an NCN49597 modem and an NCS5651 line driver. Thus, the same user software works equally well with the NCN49597 as with the NCN49599.

## DETAILED HARDWARE DESCRIPTION

### Clock and Control

The clock and control block (Figure 15) provides the modem with the clock and synchronization signals required for correct data transmission and reception. It is composed of the zero-crossing detector section, phase locked loop (PLL) section, oscillator section and clock generator section.

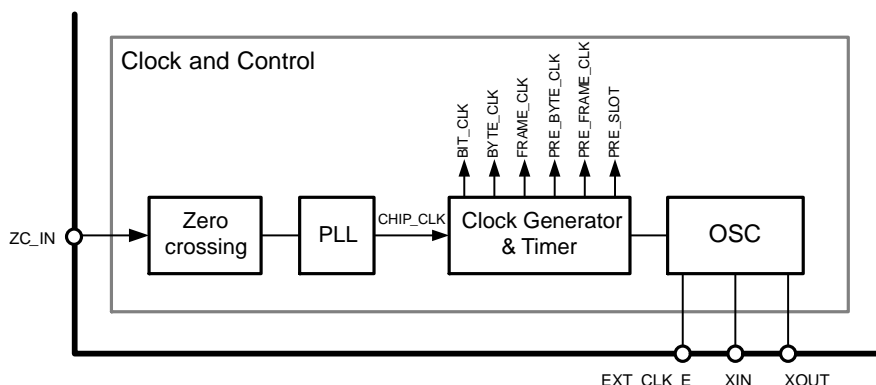


Figure 15. Clock and Control Block

### Oscillator

The NCN49599 may be clocked from a crystal with the built-in oscillator or from an external clock. XIN is the input to the oscillator inverter gain stage; XOUT the output. XOUT cannot be used directly as a clock output as no additional loading is allowed on the pin due to the limited voltage swing. This applies both to operation with a crystal and an external oscillator.

If an external clock of 48 MHz is to be used, the pin EXT\_CLK\_E must be pulled to  $V_{DD}$  and the clock signal connected to XIN. Note that the high level on XIN must not exceed the voltage of the internal voltage regulator ( $V_{DD18}$ , or about 1.8 V). The output must be floating.

If a crystal is to be used, the pin EXT\_CLK\_E should be strapped to  $V_{SSA}$  and the circuit illustrated in Figure 16 should be employed.

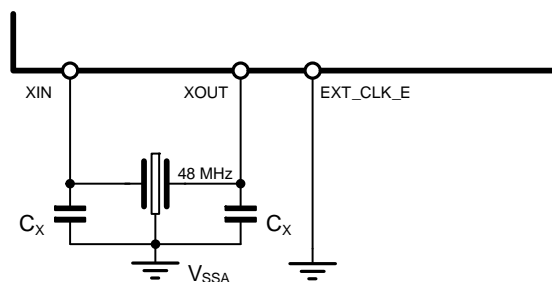


Figure 16. Clocking the NCN49599 with a Crystal



Correct operation is only possible with a parallel resonance crystal of 48 MHz. A crystal with a load capacitance  $C_L$  of 18 pF is recommended.

The load capacitance is the circuit capacitance appearing between the crystal terminals; it must be within the range specified by the crystal manufacturer for correct operation at the desired frequency.  $C_L$  is determined by the external capacitors  $C_X$  and stray capacitance ( $C_{STRAY}$ ):

$$C_L = \frac{C_X}{2} + C_{STRAY}$$

Stray capacitance typically ranges from 2 to 5 pF. This results in a typical  $C_X$  value of 33pF.

The printed circuit board should be designed to minimise stray capacitance and capacitive coupling to other parts by keeping traces as short as possible. The quality of the ground plane below the oscillator components is critical.

To guarantee startup, the series loss resistance of the crystal must be smaller than 60  $\Omega$ .

The oscillator output  $f_{CLK}$  (48 MHz) is the base clock for the entire modem. The microcontroller clock,  $f_{ARM}$ , is taken

directly from  $f_{CLK}$ . The clock for the transmitter,  $f_{TX\_CLK}$ , is equal to  $f_{CLK} / 4$  or 12 MHz; the master receiver clock,  $f_{RX\_CLK}$ , equals  $f_{CLK} / 8$  or 6 MHz. All the internal clock signals of the transmitter and the receiver will be derived from  $f_{TX\_CLK}$  resp.  $f_{RX\_CLK}$ .

**Zero Crossing Detector**

Depending on the standard and the application, synchronization with the mains zero crossing may be required. Of particular note is IEC 61334-5-1 where data frames start at a zero crossing of the mains voltage.

In order to recover this timing information, a zero cross detection of the mains is performed.

Recommended circuits for the detection of the mains zero crossing appear in the Application note “Mains synchronization for PLC modems”. In case the modem is not isolated from the mains a series resistor of 1 M $\Omega$  in combination with two external Schottky clamp diodes is recommended (Figure 17). This will limit the current flowing through the internal protection diodes.

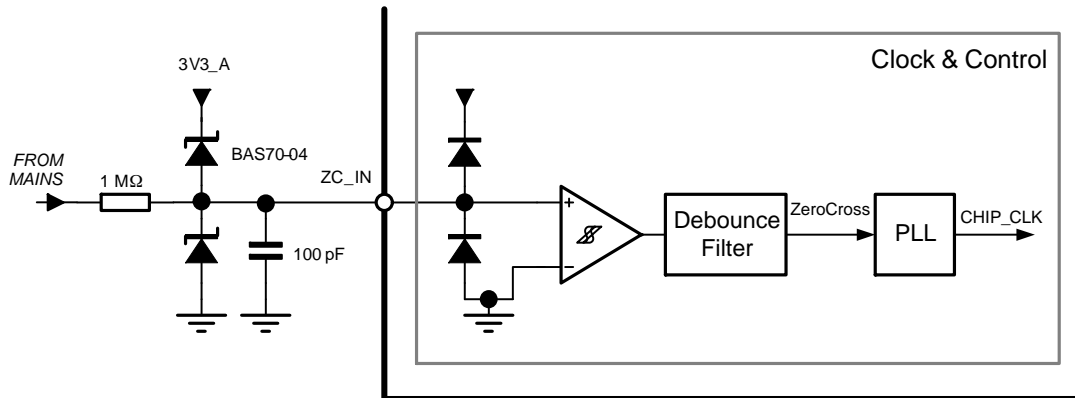


Figure 17. Zero Crossing Detector with Falling-edge De-bounce Filter

ZC\_IN is the mains frequency sense pin. A comparator with Schmitt trigger ensures a signal with edges, even in the presence of noise. In addition, the falling edges of the detector output are de-bounced with a delay of 0.5–1 ms. Rising edges are not de-bounced.

Because the detector threshold is not 0 V but slightly positive, the rising edge of the output is delayed compared to the actual rising mains zero crossing (Figure 18).

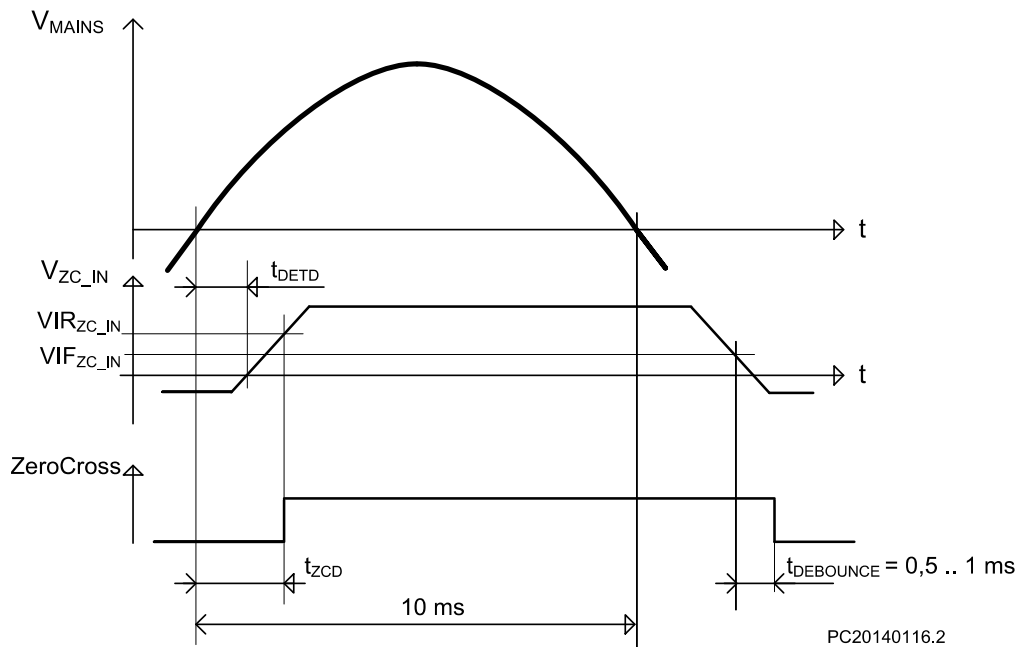


Figure 18. Zero Crossing Detector Signals and Timing (example for 50 Hz)

**Phase Locked Loop (PLL)**

A phase-locked loop (PLL) structure converts the signal at the ZC\_IN comparator output to the chip clock (CHIP\_CLK). This clock is used for modulation and demodulation and runs 8 times faster than the bit rate; as a result, the chip clock frequency depends on the mains frequency and the baud rate.

The filters of the PLL are dependent on the baud rate and the mains frequency. They must be correctly configured

using the register R\_CONF. The bit R\_CONF[0] specifies the mains frequency, with a cleared bit (0) corresponding to 50 Hz; a set bit (1) to 60 Hz. The bits R\_CONF[2:1] control the number of data bits per mains period. The values 00b, 01b, 10b and 11b correspond to 6, 12, 24 and 48 bits per mains period of 20 ms (50 Hz) or 16.7 ms (60 Hz).

Together this results in the baud rates and chip clock frequencies shown in Table 20.

Table 20. CHIP\_CLK IN FUNCTION OF SELECTED BAUD RATE AND MAINS FREQUENCY

R_CONF[0]	Mains Frequency	R_CONF[2:1]	Baudrate	CHIP_CLK
0	50 Hz	00b	300 bps	2400 Hz
		01b	600 bps	4800 Hz
		10b	1200 bps	9600 Hz
		11b	2400 bps	19200 Hz
1	60 Hz	00b	360 bps	2880 Hz
		01b	720 bps	5760 Hz
		10b	1440 bps	11520 Hz
		11b	2880 bps	23040 Hz

The PLL significantly reduces the clock jitter. This makes the modem less sensitive to timing variations; as a result, a cheaper zero crossing detector circuit may be used.

The PLL input is only sensitive to rising edges. If no zero crossings are detected, the PLL freezes its internal timers in order to maintain the CHIP\_CLK timing.

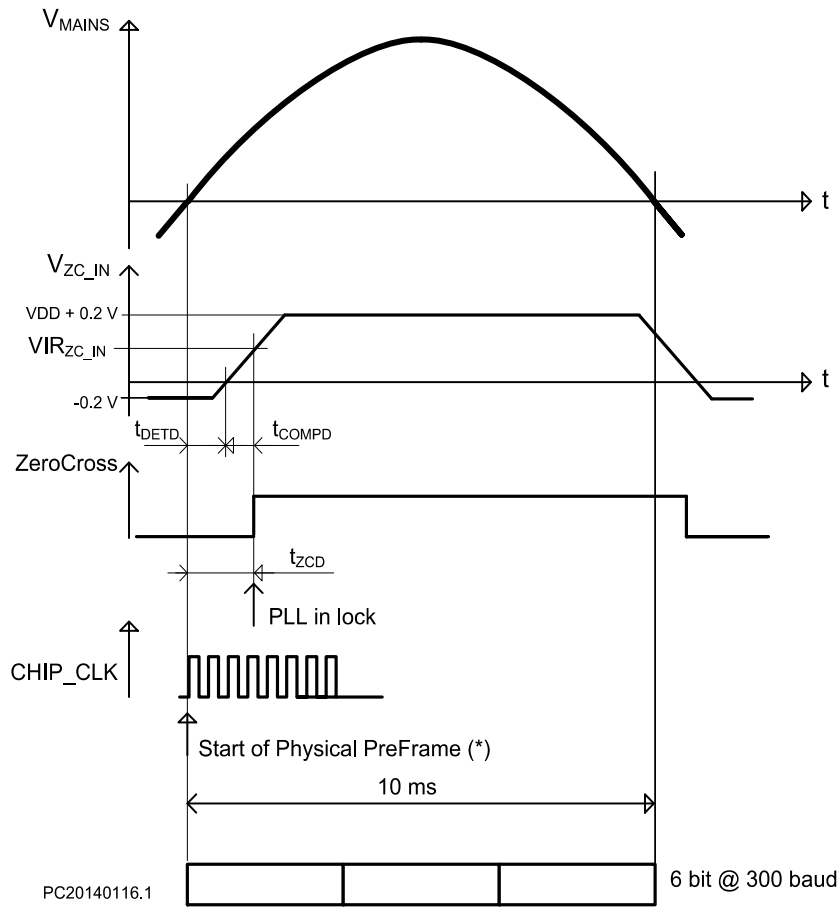


Figure 19. Using the ZC\_ADJUST register to compensate for zero crossing delay (example for 50 Hz)

The PLL ensures the generated chip clock is in phase with the rising edge of comparator output. However, these edges are not precisely in phase with the mains.

Inevitably, the external zero crossing detector circuit suffers from a delay  $t_{DETD}$  (e.g. caused by an optocoupler). In addition, the comparator threshold is not zero ( $V_{IRZC\_IN} = 1.9$  V); this results in a further delay,  $t_{COMP0}$  between the rising edge of the signal on pin ZC\_IN and the rising edge on the comparator output (as noted before, the PLL takes only the rising edge into account).

The combination of these delays would cause the modem to emit and receive data frames too late.

Therefore, the PLL allows tuning the phase difference between its input and the chip clock. The CHIP\_CLK may be brought forward by setting the register R\_ZC\_ADJUST. The adjustment period or granularity is 13  $\mu$ s, with a maximum adjustment of  $255 \cdot 13 \mu\text{s} = 3,3$  ms, corresponding with a sixth of the 50 Hz mains sine period.

This is illustrated in Figure 9. The “physical frame” (i.e., the modulated signal appearing on the mains) starts earlier with R\_ZC\_ADJUST[7:0]  $\cdot 13 \mu\text{s}$  to compensate for the zero cross delay.

The delay corresponding with the value of R\_ZC\_ADJUST is also listed in Table 21.

Table 21. ZERO CROSSING DELAY COMPENSATION

R_ZC_ADJUST[7:0]	Compensation
0000 0000	0 $\mu$ s (reset value)
0000 0001	13 $\mu$ s
0000 0010	26 $\mu$ s
0000 0011	39 $\mu$ s
...	...
1111 1111	3315 $\mu$ s

**Clock Generator and Timer**

The timing generator (Figure 15, centre) is responsible for all synchronization signals and interrupts related to S-FSK communication.

The timing is derived from the chip clock (CHIP\_CLK, generated by the PLL) and the main oscillator clock  $f_{CLK}$ . The timing has a fixed repetition rate, corresponding to the length of a physical subframe (see reference [1]).

When the NCN49599 switches between receive and transmit mode, the chip clock counter value is maintained. As a result, the same timing is maintained for reception and transmission. Seven timing signals are defined:

- **CHIP\_CLK** is the output of the PLL and the input of the timing generator. It runs 8 times faster than the bit rate on the physical interface.
- **BIT\_CLK** is only active at chip clock counter values that are multiples of 8 (0, 8, ..., 2872). It indicates the start of the transmission of a new bit.
- **BYTE\_CLK** is only active at chip clock counter values that are multiples of 64 (0, 64, ..., 2816). It indicates the start of the transmission of a new byte.
- **FRAME\_CLK** is only active at counter value 0; it indicates the transmission or reception of a new frame.
- **PRE\_BYTE\_CLK** follows the same pattern as **BYTE\_CLK**, but precedes it by 8 chip clocks. It can be used as an interrupt for the internal microcontroller and

- indicates that a new byte for transmission must be generated.
- **PRE\_FRAME\_CLK** follows the same pattern at **FRAME\_CLK**, but precedes it by 8 chip clocks. It can be used as an interrupt for the internal microcontroller and indicates that a new frame will start at the next **FRAME\_CLK**.
- **PRE\_SLOT** is active between the rising edge of **PRE\_FRAME\_CLK** and the rising edge of **FRAME\_CLK**. This signal can be provided at the digital output pin **DATA/PRES** when **R\_CONF[7] = 0**. Thus, the external host controller may synchronize its software with the internal **FRAME\_CLK** of the NCN49599. Refer to the SCI section and Table 26 for details.

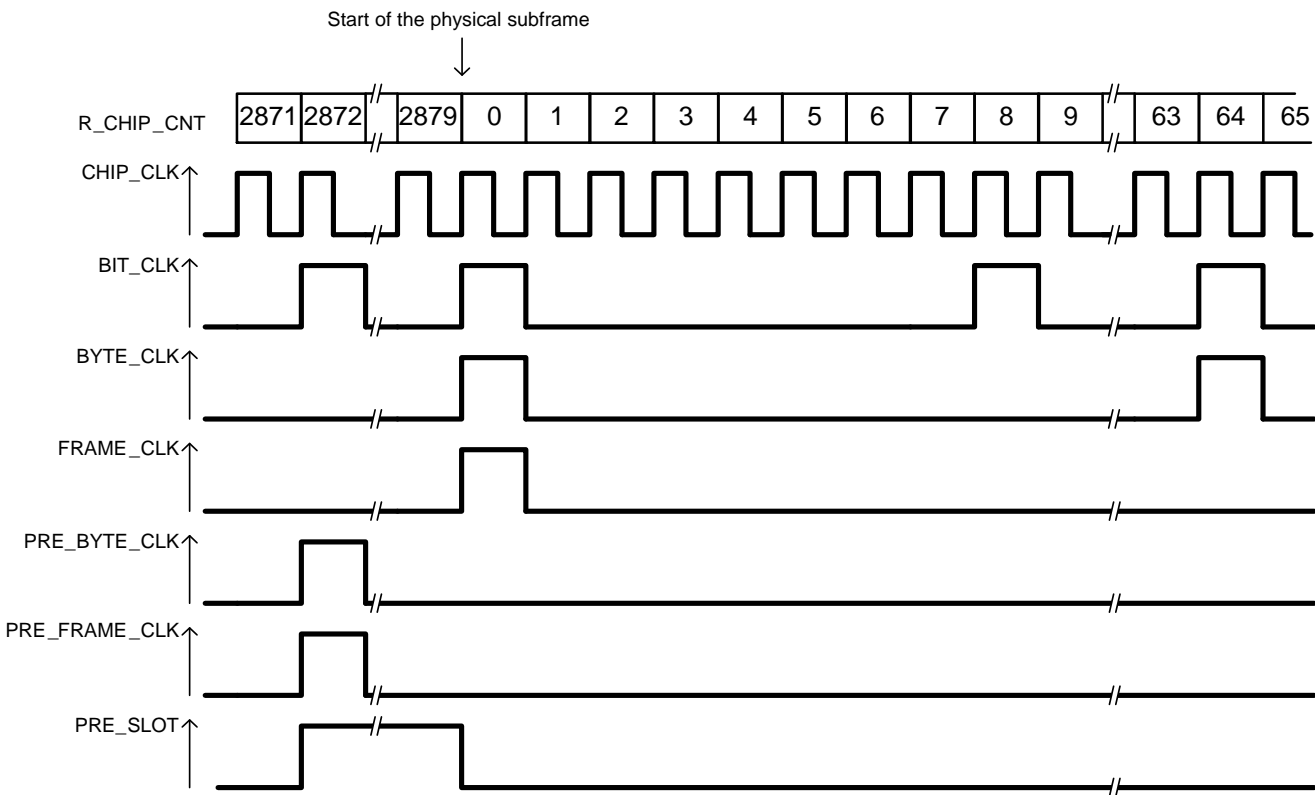


Figure 20. Timing Signals

**Transmitter Path Description (S-FSK Modulator)**

The NCN49599 transmitter block (Figure 21) generates the signal to be sent on the transmission channel. Most commonly, the output is connected to a power amplifier which injects the output signal on the mains through a line-coupler.

As the NCN49599 is a half-duplex modem, this block is not active when the modem is receiving.

The transmitter block is controlled by the microcontroller core, which provided the bit sequence to be transmitted. Direct digital synthesis (DDS) is employed to synthesize the modulated signal (the Sine Wave Generator section); after a conditioning step, this signal is converted to an analogue voltage (the DA Converter section). Finally, an amplifier with variable gain buffers the signal (the Amplifier with ALC section) and outputs it on pin **TX\_OUT**.

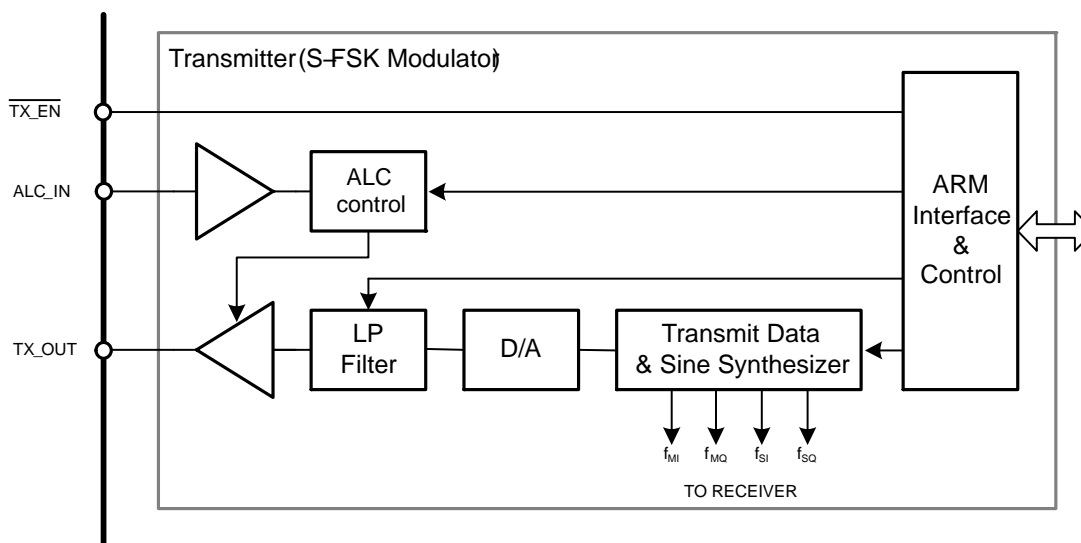


Figure 21. Transmitter Block Diagram

### Microcontroller Interface & Control

The interface with the internal ARM microcontroller consists of an 8-bit data register R\_TX\_DATA, 2 control registers R\_TX\_CTRL and R\_ALC\_CTRL, a flag TX\_RXB defining the operating mode (a high level corresponding to transmit mode; low to receive) and the frequency control registers. All these registers are memory mapped; most can be accessed through the firmware: refer to the specific firmware documentation for details.

### Sine Wave Generator

The direct digital synthesizer (DDS) generates a sinusoidal signal alternating between the space frequency ( $f_S$ , data 0) and the mark frequency ( $f_M$ , data 1) as required to modulate the desired bit pattern. Two 16-bit wide frequency step registers, R\_FM and R\_FS, control the steps used by the DDS and thus the frequencies.

The space and mark frequency can be calculated using

$$f_S = R\_FS[15:0]_{dec} \cdot f_{DDS}/2^{18}$$

$$f_M = R\_FM[15:0]_{dec} \cdot f_{DDS}/2^{18}$$

Equivalently, values for R\_FS[15:0] and R\_FM[15:0] may be calculated from the desired carrier frequencies

$$R\_FS[15:0]_{dec} = [2^{18} \cdot f_S/f_{DDS}]$$

$$R\_FM[15:0]_{dec} = [2^{18} \cdot f_M/f_{DDS}]$$

With  $f_{DDS} = 3$  MHz the direct digital synthesizer clock frequency and  $[x]$  equal to  $x$  rounded to the nearest integer.

At the start of the transmission the DDS phase accumulator starts at 0, resulting in a 0 V output level. Switching between  $f_M$  and  $f_S$  is phase-continuous. Upon switching to receive mode the DDS completes the active sine period. These precautions minimize spurious emissions.

### DA Converter and Anti-aliasing Filter

A digital to analogue  $\Sigma\Delta$  converter converts the sine wave digital word to a pulse density modulated (PDM) signal. The PDM stream is converted to an analogue signal with a first order switched capacitor filter.

A 3<sup>rd</sup> order continuous time low pass filter in the transmit path filters the quantization noise and noise generated by the  $\Sigma\Delta$  DA converter.

The -3 dB frequency of this filter can be set to 130 kHz for applications using the CENELEC A band. In this configuration, the response of the filter is virtually flat up to 95 kHz. Alternatively a -3 dB frequency of 195 kHz can be selected yielding a flat response for the entire CENELEC A to D band (i.e., up to 148.5 kHz). Refer to the documentation of the firmware for more information.

The low pass filter is tuned automatically to compensate for process variation.

### Amplifier with Automatic Level Control (ALC)

The analogue output of the low-pass filter is buffered by a variable gain amplifier; 8 attenuation steps from 0 to -21 dB (typical) with steps of 3 dB are provided.

The attenuation can be fixed by setting the bit R\_ALC\_CTRL[3]. The embedded microcontroller can then set the attenuation using register ALC\_CTRL[2:0]. This register is usually made available by the firmware to the application microcontroller. The attenuations corresponding to R\_ALC\_CTRL[2:0] values are given in Table 34.

Table 22. FIXED TRANSMITTER OUTPUT ATTENUATION

ALC_CTRL[2:0]	Attenuation
000	0 dB
001	-3 dB
010	-6 dB
011	-9 dB
100	-12 dB
101	-15 dB
110	-18 dB
111	-21 dB

Alternatively, automatic level control (ALC) may be used by clearing the bit R\_ALC\_CTRL[3].

In this mode, the signal on the analogue input pin ALC\_IN controls the transmitter output level. First, peak detection is performed. The peak value is then compared to two threshold levels  $V_{TL\_ALC\_IN}$  and  $V_{TH\_ALC\_IN}$ . Depending on the value of the measured peak level on ALC\_IN the attenuation is updated using

$V_{PALC\_IN} < V_{TL\_ALC}$ :  
increase the level with one 3 dB step

$V_{TL\_ALC} \leq V_{PALC\_IN} \leq V_{TH\_ALC}$ :  
do not change the attenuation

$V_{PALC\_IN} > V_{TH\_ALC}$ :  
decrease the level with one 3 dB step

The gain changes in the next chip clock. Therefore, an evaluation phase and a level adjustment phase take two CHIP\_CLK periods. ALC operation is enabled only during the first 16 CHIP\_CLK cycles after switching to transmit mode.

Following reset, the level is set at minimum level (maximum attenuation). When switching to reception mode

the last level is kept in memory. As a result the next transmit frame starts with the old level.

Note that the DC level on the ALC\_IN pin is fixed internally to 1.65 V. As a result, a coupling capacitor is usually required.

If the automatic level control feature is not used, the pin ALC\_IN may be left floating (not recommended) or tied to ground.

**Transmitter Output TX\_OUT**

The transmitter output is DC coupled to the TX\_OUT pin. Because the entire analogue part of the NCN49599 is referenced to the analogue reference voltage REF\_OUT (about 1.65 V), a decoupling capacitor ( $C_1$  in Figure 22) is usually required.

To suppress the second and third order harmonic of the generated S-FSK signal it is recommended to use a low pass filter. Figure 22 illustrates an MFB topology of a 2<sup>nd</sup> order filter.

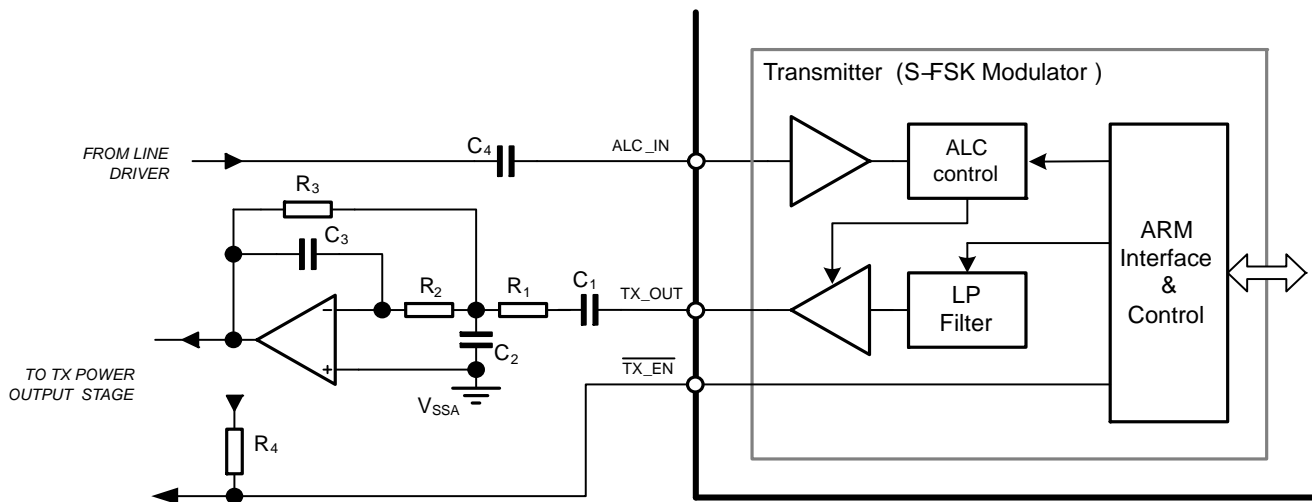


Figure 22. TX\_OUT Filter

The modem indicates whether it is transmitting or receiving on the digital output pin TX\_ENB. This is driven low when the transmitter is activated. The signal can be used to turn on an external line driver.

TX\_ENB is a 5 V safe with open drain output; an external pull-up resistor must be added (Figure 22, R4).

When the modem switches from transmit to receive mode, TX\_ENB is kept active (i.e., low) for a short period  $t_{dTX\_ENB}$  (Figure 13).

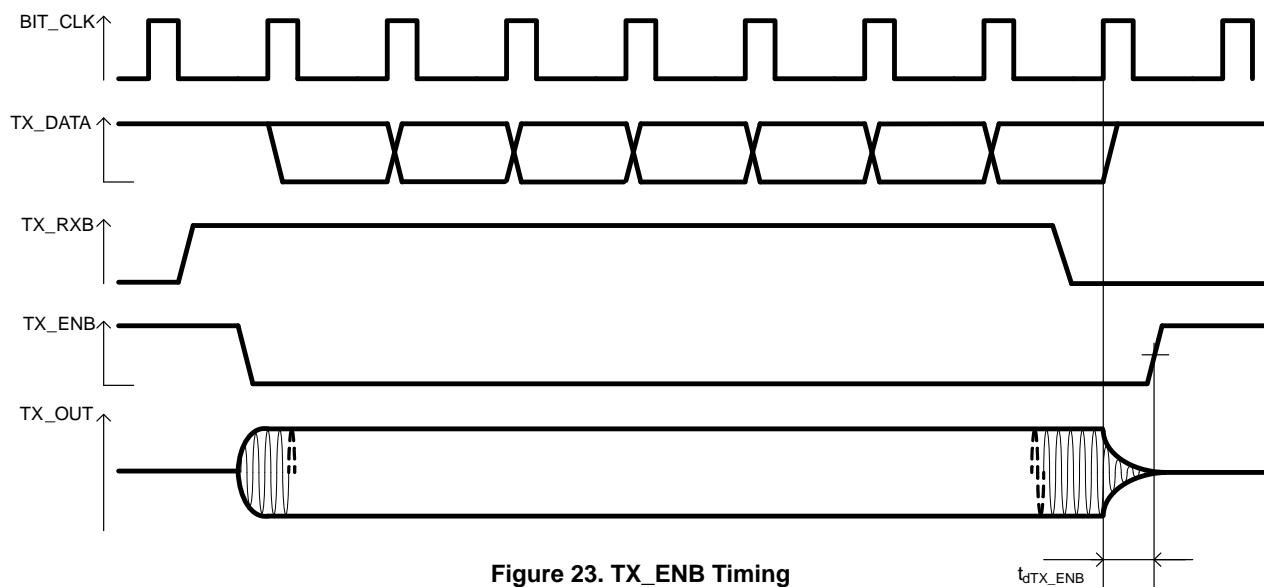


Figure 23. TX\_ENB Timing

**Power Amplifier**

The NCN49599 integrates a high efficiency, Class A/B, low distortion power line driver. It is optimized to accept a signal from the modem part of the chip. The driver consists of two operational amplifiers (opamps).

The output opamp is designed to drive up to 1.2 A peak into an isolation transformer or simple coil coupling to the mains. At an output current of 1.5 A, the output voltage is guaranteed to swing within 1 V or less of either rail giving the user improved SNR.

In addition to the output amplifier, a small-signal opamp is provided which can be configured as a unity gain follower buffer or can provide the first stage of a 4-pole low pass filter.

The line driver offers a current limit, programmable with a single resistor, R-Limit, together with a current limit flag. The device has a thermal shutdown with hysteresis, triggered when the internal junction temperature exceeds 150°C.

The line driver has a power supply voltage range of 6–12 V. It can be shut down, leaving the outputs highly impedant.

Optimal stability and noise rejection, sufficient supply decoupling is required. Refer to the Supplies and Decoupling section for more information.

**Coupling and Filtering**

A typical coupling and filtering circuit is shown in Figure 24.

The power amplifier is enabled when ENB is low. In most applications TX\_ENB is looped to ENB; an external pull up resistor is required.

Because the DC level on the TX\_OUT pin equals the voltage on REF\_OUT (nominally 1.65 V), a decoupling capacitor C<sub>1</sub> is needed when connecting it to the power amplifier.

To suppress the second and third order harmonic of the generated S-FSK signal it is recommended to use a 2<sup>nd</sup> or 3<sup>rd</sup> order low pass filter. Figure 24 shows an MFB topology of a 3<sup>rd</sup> order filter, designed for compliance with the European CENELEC EN 50056–1 standard for signaling on low-voltage electrical installations in the frequency range 3 kHz to 148.5 kHz.

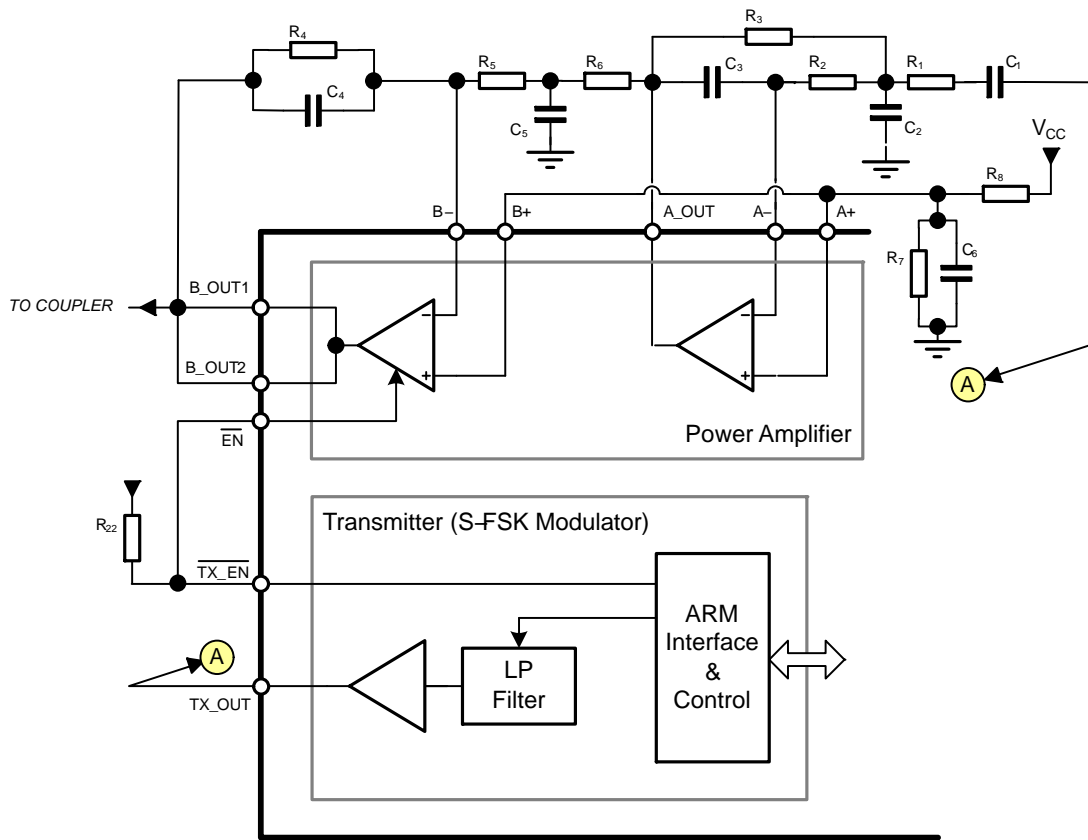


Figure 24. Power Amplifier Coupling and Filtering Current Protection

The maximal output current of the line driver in the NCN49599 can be programmed by the simple addition of a resistor ( $R_{LIM}$ ) from RLIM (pin 4) to  $V_{EE}$  (Figure 25). Figure 26 shows the limiting value for given resistance, with a tolerance of  $\pm 50$  mA. Unlike traditional power amplifiers, the line driver in the NCN49599 current limit functions both while sourcing and sinking current. To calculate the resistance required to program a desired current limit the following equation can be used:

For correct operation in typical applications it is strongly recommended to set  $R_{LIM}$  to 5 k $\Omega$ . This ensures the current will not exceed 1.2 A causing damage. Refer also to the paragraph Safe operating area.

If the load current reaches the set current limit, the ILIM flag will go logic high. As an example, the user may act on this by reducing the signal amplitude.

When the current output recovers, the ILIM flag will return low.

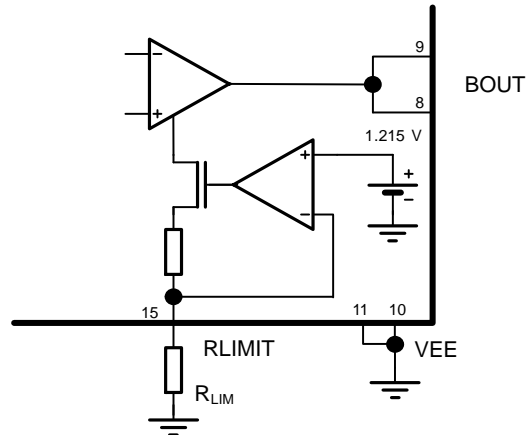


Figure 25. Programming the Current Limit

Figure 26 illustrates the required resistance to program the current limit.



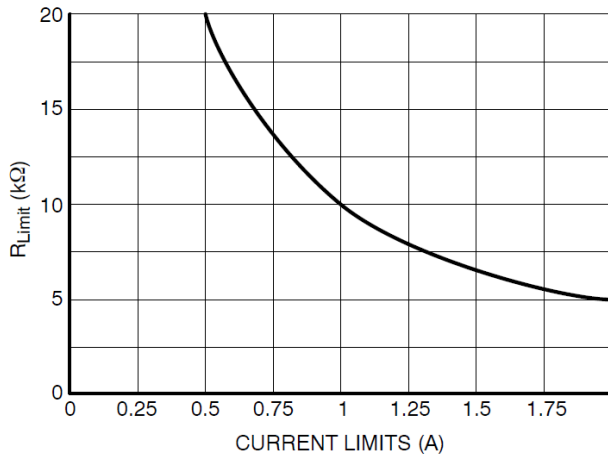


Figure 26.  $R_{LIM}$  in Function of the  $I_{LIM}$

**Thermal Protection**

Excessive dissipation inside the amplifier, for instance during overload conditions, can result in damaging junction temperatures. A thermal shutdown protection monitors the junction temperature to protect against this.

When the internal junction temperature reaches approximately 160°C, the amplifier is disabled and placed in a high-impedance state. The amplifier will be re-enabled – assuming the Enable input is still active – when the junction temperature cools back down to approximately 135°C.

**Safe Operating Area**

The safe operating area (SOA) of an amplifier is the collection of output currents  $I_L$  and the output voltages  $V_L$  that will result in normal operation with risk of destruction due to overcurrent or overheating.

In a normal application only the output amplifier of the line driver must be considered; the load on the small-signal amplifier is usually negligible.

The output amplifier SOA depends on the thermal resistance from junction to ambient  $R_{thj-a}$ , which in turn strongly depends on board design.  $R_{thj-a} = 50$  K/W in free air is a typical value, which may be used even if the host printed circuit board (PCB) is mounted in a small closed box, provided the transmission of frames are infrequent and widely spread in time.

This typical value is also used in the generation of the curves plotted in Figures 27 and 28.

Figure 27 shows the SOA in function of output current  $I_L$  and output voltage  $V_L$  with the ambient temperature as independent parameter. The maximum allowed current is 800 mA RMS. For that reason it is recommended to limit the output current by using  $R_{LIM} = 5$  kΩ. This current limitation is plotted as a horizontal line. The maximal output voltage is limited by  $V_{CC,max}$ ,  $V_{OH}$  and  $V_{OL}$ . This results in the straight line on the right hand side of the  $V_L-I_L$  plot. The area below and left from these limitations is considered as safe. The relation between output voltage and current is the impedance as seen at the output of the power operational amplifier. Constant impedance lines are represented by canted lines.

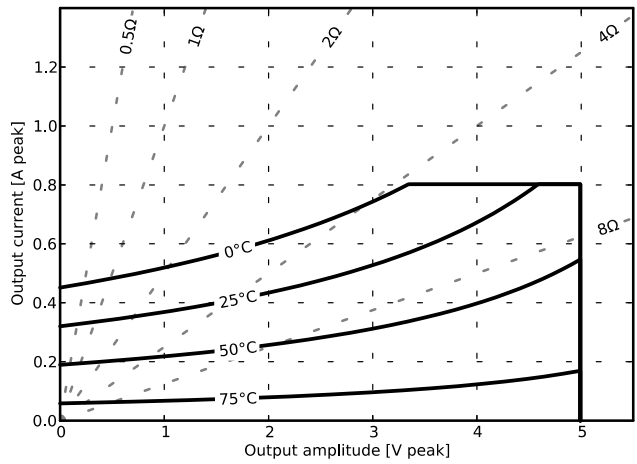


Figure 27. Example SOA in  $V_L-I_L$  space (bottom left corner is safe) with  $R_{thj-a} = 50$  K/W

Although voltage-versus-current is the normal representation of safe operating area, a PLC line driver can only control one of these variables: voltage and current are linked through the mains impedance. Figure 28 displays exactly the same information as Figure 27 but might be easier to work with. Constant current values are now represented as canted lines.

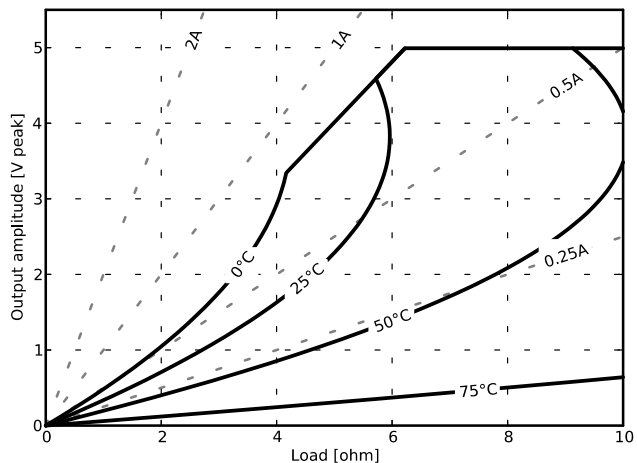


Figure 28. Example SOA in  $Z_L-V_L$  space (bottom right corner is safe)

Again, the safe operating area depends on PCB layout. Thus, the designer must verify the performance of her particular design [1].

**Receiver Path Description**

The receiver demodulates the signal on the communication channel. Typically, an external line coupling circuit is required to filter out the frequencies of interest on the communication channel.

The receiver block (Figure 29 and Figure 32) filters, digitalizes and partially demodulates the output signal of the coupling circuit. Subsequently, the embedded microcontroller core will demodulate the resulting digital stream. The demodulation is described in the fact sheets of the various firmware solutions.

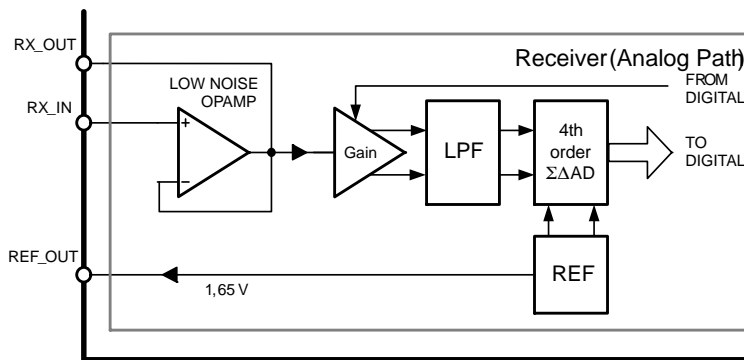


Figure 29. Analogue Path of the Receiver Block

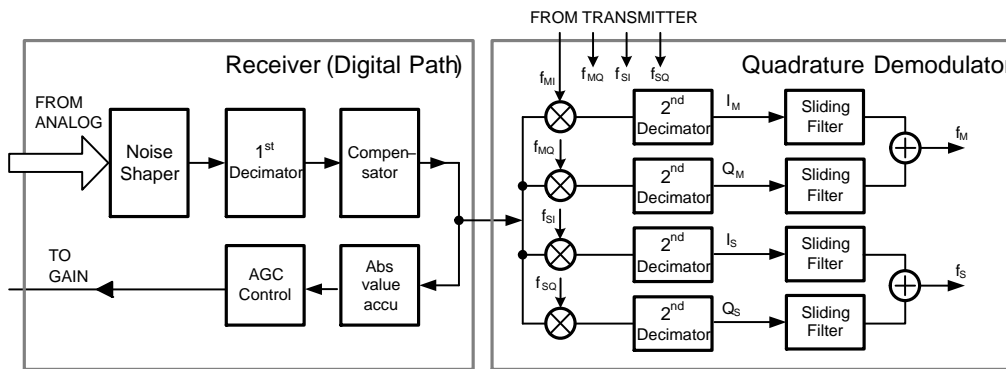


Figure 30. Digital Path of the Receiver Block

**50/60 Hz Suppression Filter**

The line coupler – external to the modem and not described in this document – couples the communication channel to the low-voltage signal input of the modem. Ideally the signal produced by the line coupler would only contain the frequency band used by the S-FSK modulation. For the common case of communication over an AC power line, a substantial 50 or 60 Hz residue is still present after the line coupler. This residue – typically much larger than the received signal – can easily overload the modem.

To improve communication performance, the NCN49599 provides a low-noise operational amplifier in a unity-gain configuration which can be used to make a 50/60 Hz suppression filter with only four external passive components. Pin RX\_IN is the non-inverting input and RX\_OUT is the output of the amplifier.

The internal reference voltage (described below) of 1.65 V is provided on REF\_OUT and can be used for this purpose. The current drawn from this pin should be limited to 300 μA; in addition, adding a ceramic decoupling capacitor of at least 1 μF is recommended.

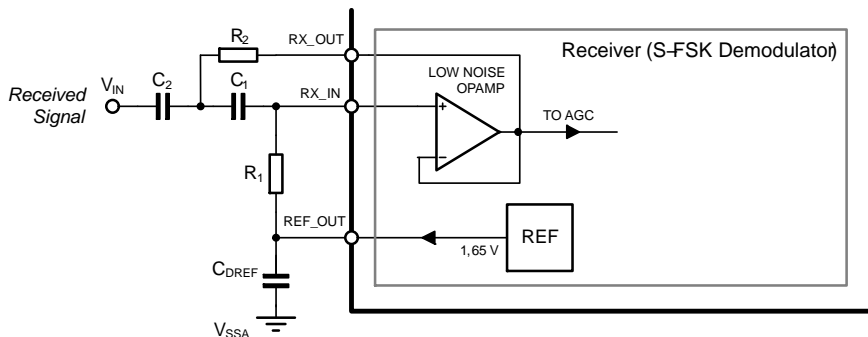


Figure 31. External Component Connection for 50/60 Hz Suppression Filter

The recommended topology is shown in Figure 20 and realizes a second order filter. The filter characteristics are

determined by external capacitors and resistors. Typical values are given in Table 24 for carrier frequencies of 63.3

and 74.5 kHz; the resulting frequency response is shown in Figure 32. With a good layout, suppressing the residual

mains voltage (50 or 60 Hz) with 60 dB is feasible. To design a filter for other frequencies, consult the design manual.

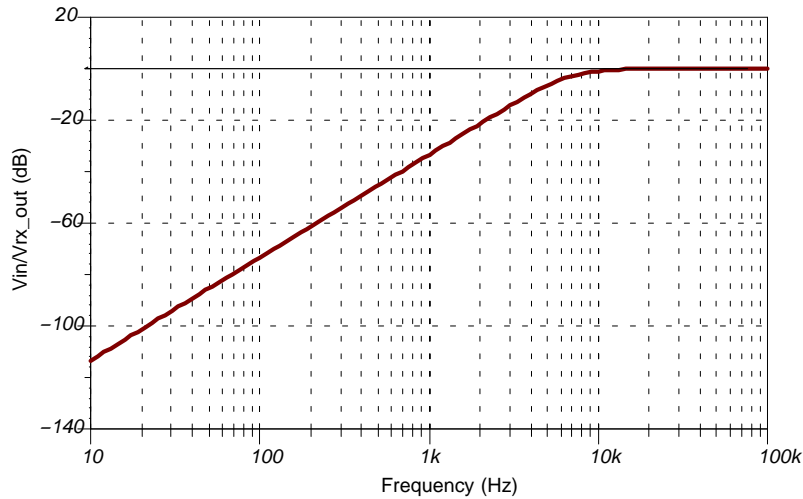


Figure 32. Transfer function of the 50 Hz suppression circuit shown in Figure 17

Table 23. VALUE OF THE RESISTORS AND CAPACITORS

Component	Value	Unit
C <sub>1</sub>	1,5	nF
C <sub>2</sub>	1,5	nF
C <sub>DREF</sub>	1	μF
R <sub>1</sub>	22	kΩ
R <sub>2</sub>	11	kΩ

It is important to note that the analog part of NCN49599 is referenced to the internal analogue reference voltage REF\_OUT, with a nominal value of 1.65 V. As a result, the DC voltage on pin RX\_IN must be 1.65 V for optimal dynamic range. If the external signal has a substantially different reference level capacitive coupling must be used.

**Automatic Gain Control (AGC)**

In order to extend the range of the analogue-to-digital convertor, the receiver path contains a variable gain amplifier. The gain can be changed in 8 steps from 0 to -42 dB.

This amplifier can be used in an automatic gain control (AGC) loop. The loop is implemented in digital hardware. It measures the signal level after analogue-to-digital conversion. The amplifier gain is changed until the average digital signal is contained in a window around a percentage of the full scale. An AGC cycle takes two chip clocks: a measurement cycle at the rising edge of the CHIP\_CLK and an update cycle starting at the next chip clock.

**Low Noise Anti-aliasing Filter and ADC**

The receiver has a 3<sup>rd</sup> order continuous time low pass filter in the signal path. This filter is in fact the same block as in

the transmit path which can be shared because NCN49599 works in half duplex mode. As described in the Low Noise Anti-aliasing Filter section, the same choice of -3 dB frequency can be selected between 130 kHz (virtually flat up to 95 kHz) or 195 kHz (flat up to 148.5 kHz).

The output of the low pass filter is input for an analog 4<sup>th</sup> order sigma-delta converter. The DAC reference levels are supplied from the reference block. The digital output of the converter is fed into a noise shaping circuit blocking the quantization noise from the band of interest, followed by decimation and a compensation step.

**Quadrature Demodulator**

The quadrature demodulation block mixes the digital output of the ADC with the local oscillators. Mixing is done with the in-phase and quadrature phase of both the f<sub>S</sub> and f<sub>M</sub> carrier frequencies. Thus, four down-mixed (baseband) signals are obtained.

After low-pass filtering, the in-phase and quadrature components of each carrier are combined. The resulting two signals are a measure of the energy at each carrier frequency.

These energy levels are further processed in the firmware. The firmware will demodulate the value of the bit (i.e., decide between a 0 or 1 bit) by weighing the energy over a period of 8 chip clocks. Refer to the firmware data sheets for details.

**Communication Controller**

The Communication Controller block includes the micro-processor and its peripherals (refer to Figure 33 for an overview).

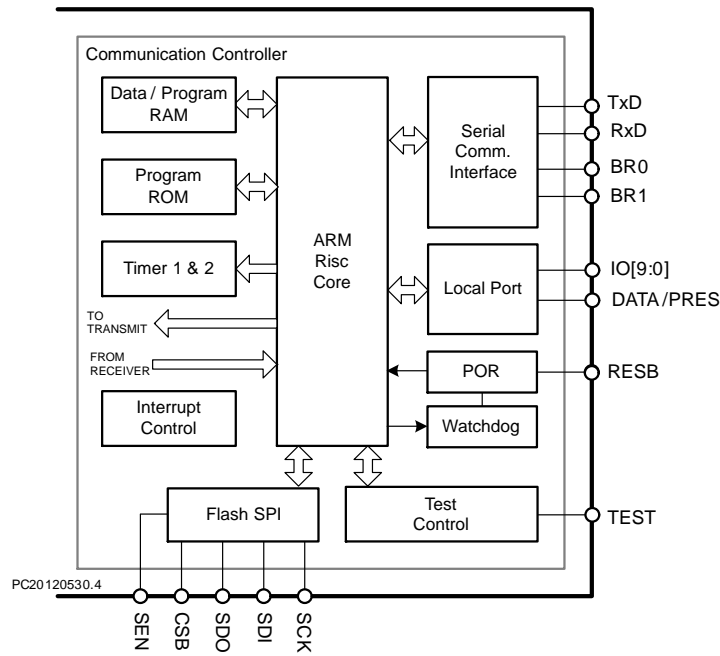


Figure 33. The communication controller is based on a standard ARM Cortex M0 core

The processor is an ARM Cortex M0 32-bit core with a reduced instruction set computer (RISC) architecture, optimized for IO handling. Most instructions complete in a single clock cycle, including byte multiplication. The peripherals include a watchdog, test and debug control, RAM, ROM containing the boot loader, UART, two timers, an SPI interface to optional external memory, I/O ports and the power-on reset. The microcontroller implements interrupts.

The 32 kB RAM contains the necessary space to store the firmware and the working data. A full-duplex serial communication block (the SCI section) allows interfacing to the application microcontroller.

**Local Port**

Ten bidirectional general purpose input/output (GPIO) pins (IO0..IO9) are provided. All general purpose IO pins can be configured as an input or an output. In addition, the firmware can emulate open-drain or open-source pins. All pins are 5 V tolerant.

When the modem is booting, IO2 is configured as an input and must be pulled low to enable uploading firmware over the serial interface. At the same time, IO0 and IO1 are configured as outputs and show the status of the boot loader. A LED may be connected to IO0 to help with debugging. After the firmware has been loaded successfully, IO0..IO2 become available as normal IOs.

Typically, the firmware provides status indication on some IO pins; other IO pins remain available to the application microcontroller as IO extensions.

The application microcontroller has also low-level access to internal timing of the modem through the digital output

DATA/PRES pin. The function of this pin depends on the register bit R\_CONF[7].

If the bit is cleared (0), the preslot synchronization signal (PRE\_SLOT) appears on the pin.

If the bit is set (1), the modem outputs the baseband, unmodulated, data. Thus, DATA/PRES is driven high when a space symbol is being transmitted (i.e., the space frequency  $f_s$  appears on pin TX\_OUT); it is driven low when a mask symbol is transmitted ( $f_M$  on TX\_OUT).

**Testing**

A JTAG debug interface is provided for development, debugging and production test. An internal pull-down resistor is provided on the input pins (TDI, TCK, TMS, and TRSTB).

In practice, the end user of the modem will not need this interface; this input pins may be tied to ground (recommended) or left floating; TDO should be left floating.

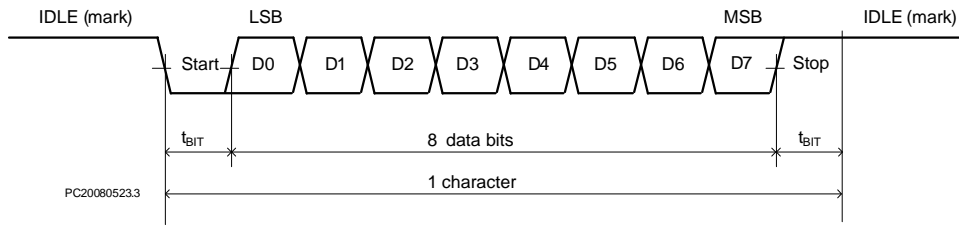
The pin TEST enables the internal hardware test mode when driven high. During normal operation, it should be tied to ground (recommended) or left floating.

**Serial Communication Interface (SCI)**

The Serial Communication Interface allows asynchronous communication with any device incorporating a standard Universal Asynchronous Receiver Transmitter (UART).

The serial interface is full-duplex and uses the standard NRZ format with a single start bit, eight data bits and one stop bit (Figure 34). The baud rate is programmable from 9600 to 115200 baud through the BR0 and BR1 pins.

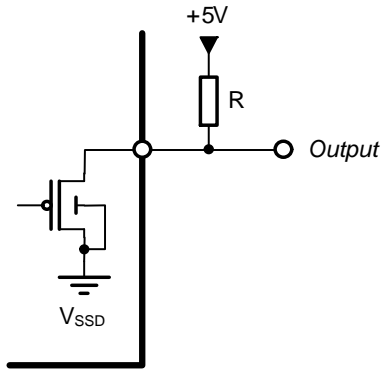
# NCN49599



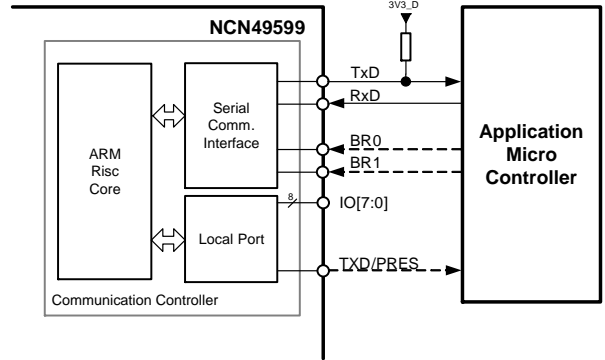
**Figure 34. Data Format of the Serial Interface**

Serial data is sent from the NCN49599 to the application microcontroller on pin TxD; data is received on pin RxD. Both pins are 5 V tolerant, allowing communication with both 3.3 V- and 5 V-powered devices.

On the open-drain output pin TxD an external pull-up resistor must be provided to define the logic high level (Figure 35). A value of 10 kΩ is recommended. Depending on the application, an external pull-up resistor on RxD may be required to avoid a floating input.



**Figure 35. Interfacing to 5 V logic using a 5 V safe output and a pull-up resistor**



**Figure 36. Connection to the Application Microcontroller**

The baud rate of the serial communication is controlled by the pins BR0 and BR1. After reset, the logic level on these pins is read and latched; as a result, modification of the baud rate during operation is not possible. The baud rate derived from BR0 and BR1 is shown in Table 24.

**Table 24. BR1, BR0 BAUD RATES**

BR1	BR0	SCI Baud rate
0	0	115200
0	1	9600
1	0	19200
1	1	38400

BR0 and BR1 are 5 V safe, allowing direct connection to 5 V-powered logic.

## NCN49599

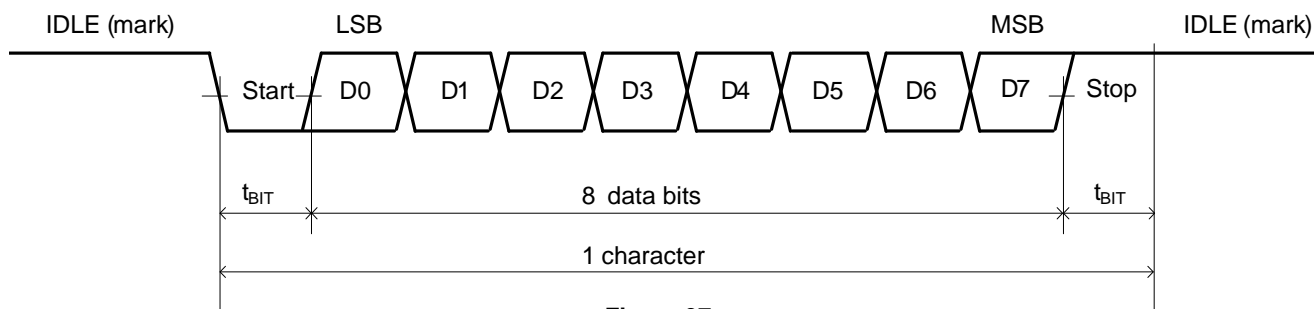


Figure 37.

### Watchdog

A watchdog supervises the ARM microcontroller. In case the firmware does not periodically signal the watchdog it is alive, it is assumed an error has occurred and a hard reset is generated.

### Configuration Registers

The behavior of the modem is controlled by configuration registers. Some registers can be accessed by the user through the firmware. Table 25 gives an overview of some commonly exposed registers.

**Table 25. NCN49599 CONFIGURATION REGISTERS**

Register	Reset Value	Function
R_CONF[7]	0	Pin DATA/PRES mode selection
R_CONF[2:1]	00b	Baud rate selection
R_CONF[0]	0	Mains frequency
R_FS[15:0]	0000h	Step register for the space frequency $f_S$
R_FM[15:0]	0000h	Step register for the mark frequency $f_M$
R_ZC_ADJUST[7:0]	02h	Fine tuning of phase difference between CHIP_CLK and rising edge of mains zero crossing
R_ALC_CTRL[3]	0	Automatic level control (ALC) enable
R_ALC_CTRL[2:0]	000b	Automatic level control attenuation

### Reset and Low Power

NCN49599 has two reset modes: hard reset and soft reset.

The hard reset reinitializes the complete IC (hardware and ARM) excluding the data RAM for the ARM. This guarantees correct start-up of the hardware and the RAM. A hard reset is active when pin RESB = 0 or when the power supply  $V_{DD} < V_{POR}$  (See Table 13). When switching on the power supply the output of the crystal oscillator is disabled until a few 1000 clock pulses have been detected, this to enable the oscillator to start up.

The concept of NCN49599 has a number of provisions to have low power consumption. When working in transmit mode the analogue receiver path and most of the digital receive parts are disabled. When working in receive mode the analog transmitter and most of the digital transmit parts, except for the sine generation, are disabled.

When the pin RESB = 0 the power consumption is minimal. Only a limited power is necessary to maintain the bias of a minimum number of analog functions and the oscillator cell.

## BOOT LOADER

During operation, the modem firmware is stored in the internal random access memory (RAM). As this memory is volatile, the firmware must be uploaded after reset.

The NCN49599 provides two mechanisms to achieve this: the firmware may be stored in an external SPI memory (Booting from External Memory section) or it may be uploaded over the serial communication interface (the Firmware Upload section).

### Booting from External Memory

During reset, the boot loader module in the modem can retrieve the firmware from an attached memory.

To enable this mode, the boot control pin SEN must be driven high and IO2 must be driven low; subsequently the modem must be reset.

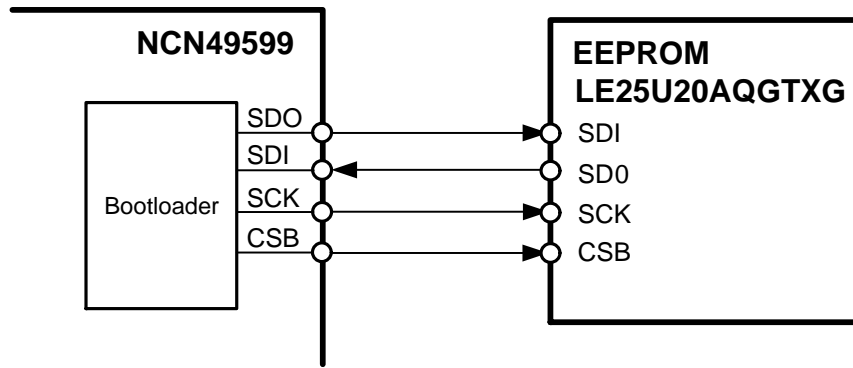


Figure 38. Connecting an External SPI Memory to the Modem

The memory must be connected to the pins of the dedicated serial peripheral interface (SPI), as shown in Figure 38. Connecting an external SPI memory to the modem. Figure 38. Any non-volatile memory with the standard command set and three bytes addressing is supported; is recommended.

The user must program the firmware into the external memory starting from address 0. Four bytes must be added at the end of the lowest 256-byte sector that can fit them, i.e. either the sector containing the last byte of the firmware or the next sector. These four bytes contain the checksum, the number of sectors used, and the magical numbers A5<sub>H</sub> and 5A<sub>H</sub>. The checksum must be computed over the entire binary.

Between the four metadata bytes and the firmware, zero-padding must be written.

This is illustrated in Table 26.

Table 26. Required contents of an external bootable SPI memory for a binary firmware file of length N bytes

Address	Content
0	Firmware binary
...	
N	
N + 1	Zero padding, if required
...	
100 <sub>H</sub> • S + FB <sub>H</sub>	
100 <sub>H</sub> • S + FC <sub>H</sub>	Checksum
100 <sub>H</sub> • S + FD <sub>H</sub>	S, the number of sectors used
100 <sub>H</sub> • S + FE <sub>H</sub>	Magical number: A5 <sub>H</sub>
100 <sub>H</sub> • S + FF <sub>H</sub>	Magical number: 5A <sub>H</sub>
Where S is the number of sectors used:	

The tool PlcEepromGenerator.exe, provided by ON Semiconductor, may be used to convert a binary firmware file into a file that follows these requirements. The latter can be written directly in the external memory.

As an example, if the firmware binary size is 618 bytes, the first two 256-byte sector will be filled completely. The last 106 bytes of the firmware binary will be written to the third sector, followed by zero padding (256 – 106 – 4 = 146 bytes), followed by four bytes: checksum, 03<sub>H</sub>, A5<sub>H</sub> and 5A<sub>H</sub>.

Once the boot loader has finished copying the firmware to the internal memory, the checksum is calculated and compared to the stored checksum. If both match, the processor is released from reset and the firmware starts executing. IO2 subsequently becomes available as a normal GPIO.

#### Firmware Upload Over the Serial Communication Interface

During reset, the boot loader module in the modem can receive the firmware over the serial interface.

To enable this mode, the IO2 and the boot control pin SEN must be driven low; subsequently the modem must be reset. IO2 must remain low during the entire boot process; if driven high during boot the boot loader terminates immediately. To restart the boot loader, reset the modem.

As soon as the reset of the modem is released, the boot loader process starts. When it is ready to receive the firmware from the external microcontroller, the boot loader will send a 02<sub>H</sub> (STX) byte.

Upon receiving this byte the user must send the byte sequence specified in Table 27. The sequence contains a checksum to verify correctness of the received binary image. The CRC must be calculated over the firmware binary only (excluding the magical number and the size). The program crc.exe, provided by ON Semiconductor, can be used for this calculation.



**Table 27. Byte sequence to be transmitted by the application microcontroller during firmware upload**

Value	Description
[ CE <sub>H</sub> ]	Should only be sent to restart the boot loader process, in response to a NAK character received from the modem
AA <sub>H</sub>	Magical number
Size (LSB)	The size of the entire firmware binary, including the four bytes for the CRC at the end
Size (MSB)	
Binary, first byte	Contents of the firmware binary
...	
Binary, last byte	
CRC (LSB)	CRC, as calculated on the binary only
CRC (MSB)	

Data transmission must start only after receiving the STX byte. In addition, the first byte must be sent within 350 ms.

If these timing constraints are not satisfied the boot loader will send a 15<sub>H</sub> (NAK) character and will reject any data received until the application microprocessor stops sending bytes for at least 100ms. The pause will restart the boot loader, and a new STX character will be sent to the application microcontroller to indicate this.

Once transmission has started, the maximal delay between consecutive bytes is 20 ms. If this timing constraints is not met, or if the checksum is incorrect, the boot loader will send a 15<sub>H</sub> (NAK) character. This error also occurs when the user attempts to upload a binary exceeding the maximal size of 7F00<sub>H</sub> (32512) bytes. When the application microcontroller receives this NAK, it should transmit a CE<sub>H</sub> (mnemonic for "clear error") byte. This informs the boot loader that the application microcontroller understood the problem. Following the CE<sub>H</sub> byte, the microcontroller may restart.

The timing constraints are illustrated in Figure 3.

**APPLICATION INFORMATION**

For a system-level overview of power line communication, refer to [7]. For more information on how to design with the NCN49599 modem, refer to the design manual available from your sales representative [1]. This section gives a few hints.

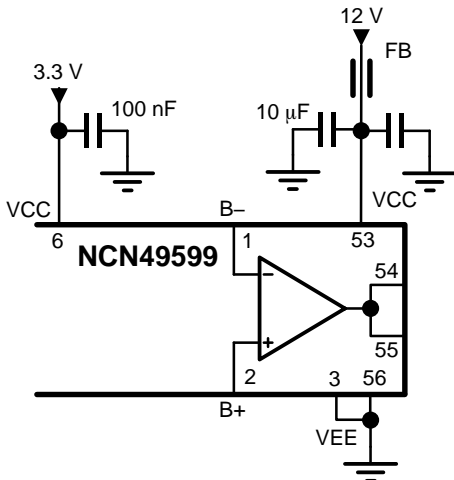
**Supplies and Decoupling**

For optimal stability and noise rejection, all power supplies must be decoupled as physically close to the device as possible.

The line driver is primarily powered through the pin VCC. Large currents are drawn from this supply rail if the amplifiers are loaded. Two ceramic capacitors of 10 μF and 100 nF to ground are recommended at this point (Figure 39). Of course, the 100 nF capacitor must be nearest to the device.

The analogue and digital blocks of the modem itself are powered through independent power supply pins (VDDA resp. VDD); the nominal supply voltage is 3.3 V. On both pins, decoupling must be provided with at least a ceramic capacitor of 100 nF between the pin and the corresponding ground (VSSA resp. VSS). The connection path of these capacitors on the printed circuit board (PCB) should be kept as short as possible in order to minimize the parasitic inductance.

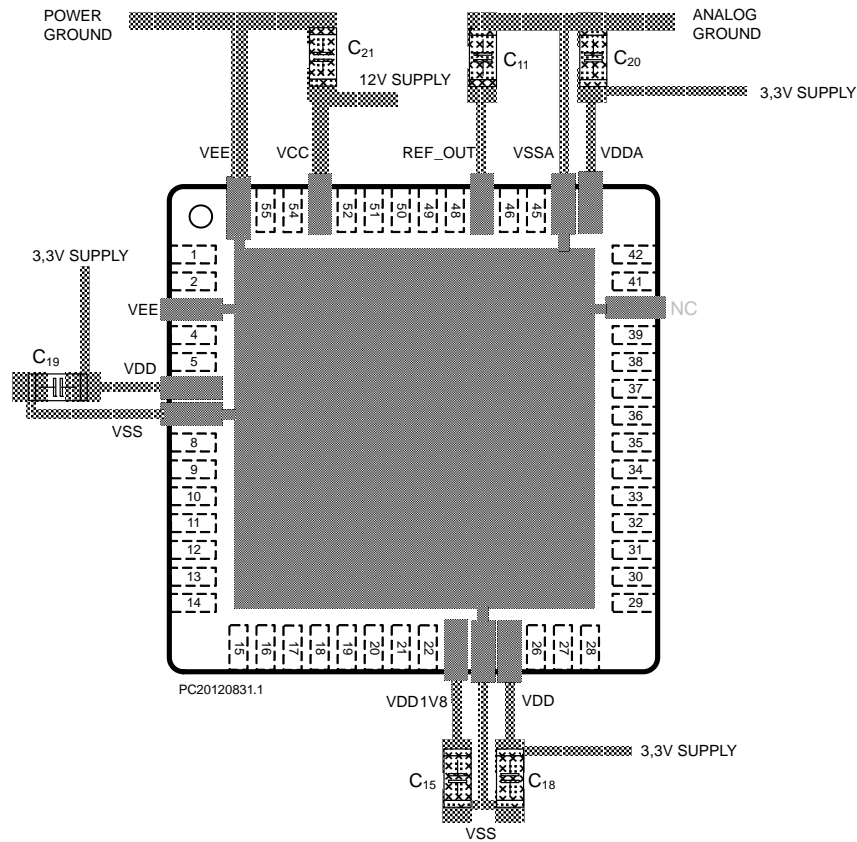
It is recommended to tie both analogue and digital ground pins to a single, uninterrupted ground plane.



**Figure 39. Decoupling Capacitors – Line Driver**



# NCN49599



**Figure 40. Recommended layout of the placement of decoupling capacitors (bottom ground plane not shown)**

### Internal Voltage Reference

REF\_OUT is the analogue output pin which provides the voltage reference used by the A/D converter. This pin must be decoupled to the analogue ground by a 1  $\mu\text{F}$  ceramic capacitance  $C_{DREF}$ . The connection path of this capacitor to the VSSA on the PCB should be kept as short as possible in order to minimize the serial inductance.

### Internal Voltage Regulator

An internal linear regulator provides the 1.8 V core voltage for the microcontroller. This voltage is connected to pin VDD1V8. A ceramic decoupling capacitor of 1  $\mu\text{F}$  to ground must be connected as close as possible to this pin (Figure 40).

The internal regulator should not be used to power other components.

### Exposed Thermal Pad

The line driver output amplifier in the NCN49599 is capable of delivering 1.5 A into a complex load.

Output signal swing should be kept as high as possible. This will minimize internal heat generation, reducing the internal junction temperature. The line driver in the NCN49599 can swing to within 1 V of either rail without adding distortion.

An exposed thermal pad is provided on the bottom of the device to facilitate heat dissipation. The printed circuit board and soldering process must be carefully designed to minimize the thermal resistance between the exposed pad and the ambient. Refer to [1,8] for more information.

**Table 28. DEVICE ORDERING INFORMATION**

Part Number	Temperature Range	Package Type	Shipping†
NCN49599MNG	-40°C – 125°C	QFN-56	Tube
NCN49599MNRG	-40°C – 125°C	QFN-56	Tape & Reel

†For information on tape and reel specifications, including part orientation and tape sizes, please refer to our Tape and Reel Packaging Specifications Brochure, BRD8011/D.

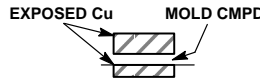
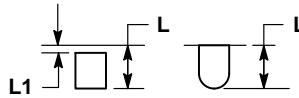
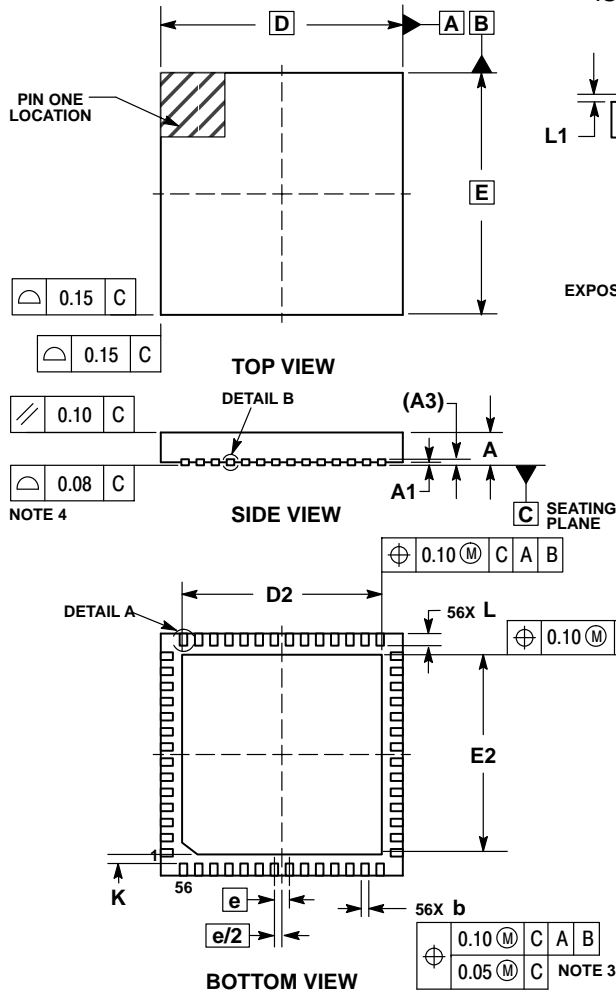
## REFERENCES

In this document references are made to:

1. ON Semiconductor, *Design Manual NCN49597/9*, December 2014. The latest version is available from your sales representative.
2. CENELEC. EN 50065-1: *Signaling on low-voltage electrical installations in the frequency range 3 kHz to 148,5 kHz*. 2011-04-22. Online at [http://www.cenelec.eu/dyn/www/f?p=104:110:1022556227334229:::FSP\\_ORG\\_ID,FSP\\_PROJECT,FSP\\_LANG\\_ID:821,22484,25](http://www.cenelec.eu/dyn/www/f?p=104:110:1022556227334229:::FSP_ORG_ID,FSP_PROJECT,FSP_LANG_ID:821,22484,25)
3. Électricité réseau distribution France (ERDF). *Linky PLC profile functional specification*. 2009-09-30. Online at <http://www.erdfdistribution.fr/medias/Linky/ERDF-CPT-Linky-SPEC-FONC-CPL.pdf>.
4. DLMS User Association. *DLMS/COSEM Architecture and Protocols* (“Green book”). 7<sup>th</sup> edition. Online at <http://www.dlms.com/documentation/dlmsuacolouredbookpasswordprotectedarea/index.html>
5. IEC. IEC 61334-5-1. *Distribution automation using distribution line carrier systems – Part 5-1: Lower layer profiles – The spread frequency shift keying (S-FSK) profile*. Online at [http://webstore.iec.ch/preview/info\\_iec61334-5-1%7Bed2.0%7Db.pdf](http://webstore.iec.ch/preview/info_iec61334-5-1%7Bed2.0%7Db.pdf)
6. ON Semiconductor. *Mains synchronisation for PLC modems (application note)*. 2013-03-01. The latest version is available from your sales representative.
7. ON Semiconductor. *AND9165/D. Getting started with power line communication (application note)*. 2014-11-01. Online at [http://www.onsemi.com/pub\\_link/Collateral/AND9165-D.PDF](http://www.onsemi.com/pub_link/Collateral/AND9165-D.PDF)
8. ON Semiconductor. *AND8402/D. Thermal Considerations for the NCS5651 (application note)*. 2014-08-01. Online at <http://www.onsemi.com/pub/Collateral/AND8402-D.PDF>

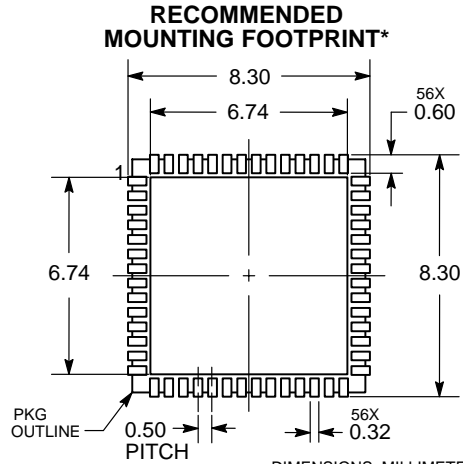
PACKAGE DIMENSIONS

QFN56 8x8, 0.5P  
CASE 485CN  
ISSUE O



- NOTES:
1. DIMENSIONING AND TOLERANCING PER ASME Y14.5M, 1994.
  2. CONTROLLING DIMENSIONS: MILLIMETERS.
  3. DIMENSION b APPLIES TO PLATED TERMINAL AND IS MEASURED BETWEEN 0.15 AND 0.25mm FROM THE TERMINAL TIP
  4. COPLANARITY APPLIES TO THE EXPOSED PAD AS WELL AS THE TERMINALS.

DIM	MILLIMETERS	
	MIN	MAX
A	0.80	1.00
A1	0.00	0.05
A3	0.20 REF	
b	0.20	0.30
D	8.00 BSC	
D2	6.50	6.70
E	8.00 BSC	
E2	6.50	6.70
e	0.50 BSC	
K	0.20	---
L	0.30	0.50
L1	0.05	0.15



\*For additional information on our Pb-Free strategy and soldering details, please download the ON Semiconductor Soldering and Mounting Techniques Reference Manual, SOLDERRM/D.

ON Semiconductor and the are registered trademarks of Semiconductor Components Industries, LLC (SCILLC) or its subsidiaries in the United States and/or other countries. SCILLC owns the rights to a number of patents, trademarks, copyrights, trade secrets, and other intellectual property. A listing of SCILLC's product/patent coverage may be accessed at [www.onsemi.com/site/pdf/Patent-Marketing.pdf](http://www.onsemi.com/site/pdf/Patent-Marketing.pdf). SCILLC reserves the right to make changes without further notice to any products herein. SCILLC makes no warranty, representation or guarantee regarding the suitability of its products for any particular purpose, nor does SCILLC assume any liability arising out of the application or use of any product or circuit, and specifically disclaims any and all liability, including without limitation special, consequential or incidental damages. "Typical" parameters which may be provided in SCILLC data sheets and/or specifications can and do vary in different applications and actual performance may vary over time. All operating parameters, including "Typicals" must be validated for each customer application by customer's technical experts. SCILLC does not convey any license under its patent rights nor the rights of others. SCILLC products are not designed, intended, or authorized for use as components in systems intended for surgical implant into the body, or other applications intended to support or sustain life, or for any other application in which the failure of the SCILLC product could create a situation where personal injury or death may occur. Should Buyer purchase or use SCILLC products for any such unintended or unauthorized application, Buyer shall indemnify and hold SCILLC and its officers, employees, subsidiaries, affiliates, and distributors harmless against all claims, costs, damages, and expenses, and reasonable attorney fees arising out of, directly or indirectly, any claim of personal injury or death associated with such unintended or unauthorized use, even if such claim alleges that SCILLC was negligent regarding the design or manufacture of the part. SCILLC is an Equal Opportunity/Affirmative Action Employer. This literature is subject to all applicable copyright laws and is not for resale in any manner.

PUBLICATION ORDERING INFORMATION

**LITERATURE FULFILLMENT:**  
Literature Distribution Center for ON Semiconductor  
P.O. Box 5163, Denver, Colorado 80217 USA  
Phone: 303-675-2175 or 800-344-3860 Toll Free USA/Canada  
Fax: 303-675-2176 or 800-344-3867 Toll Free USA/Canada  
Email: [orderlit@onsemi.com](mailto:orderlit@onsemi.com)

**N. American Technical Support:** 800-282-9855 Toll Free  
USA/Canada  
**Europe, Middle East and Africa Technical Support:**  
Phone: 421 33 790 2910  
**Japan Customer Focus Center**  
Phone: 81-3-5817-1050

**ON Semiconductor Website:** [www.onsemi.com](http://www.onsemi.com)  
**Order Literature:** <http://www.onsemi.com/orderlit>  
For additional information, please contact your local Sales Representative



## Стандарт Электрон Связь

Мы молодая и активно развивающаяся компания в области поставок электронных компонентов. Мы поставляем электронные компоненты отечественного и импортного производства напрямую от производителей и с крупнейших складов мира.

Благодаря сотрудничеству с мировыми поставщиками мы осуществляем комплексные и плановые поставки широчайшего спектра электронных компонентов.

Собственная эффективная логистика и склад в обеспечивает надежную поставку продукции в точно указанные сроки по всей России.

Мы осуществляем техническую поддержку нашим клиентам и предпродажную проверку качества продукции. На все поставляемые продукты мы предоставляем гарантию .

Осуществляем поставки продукции под контролем ВП МО РФ на предприятия военно-промышленного комплекса России , а также работаем в рамках 275 ФЗ с открытием отдельных счетов в уполномоченном банке. Система менеджмента качества компании соответствует требованиям ГОСТ ISO 9001.

Минимальные сроки поставки, гибкие цены, неограниченный ассортимент и индивидуальный подход к клиентам являются основой для выстраивания долгосрочного и эффективного сотрудничества с предприятиями радиоэлектронной промышленности, предприятиями ВПК и научно-исследовательскими институтами России.

С нами вы становитесь еще успешнее!

### Наши контакты:

**Телефон:** +7 812 627 14 35

**Электронная почта:** [sales@st-electron.ru](mailto:sales@st-electron.ru)

**Адрес:** 198099, Санкт-Петербург,  
Промышленная ул, дом № 19, литера Н,  
помещение 100-Н Офис 331