

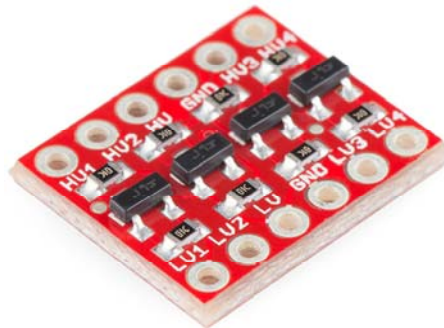


Bi-Directional Logic Level Converter Hookup Guide

Introduction

Do you have a 3.3V I²C or SPI sensor that might go up in smoke if connected to a 5V Arduino? Or a 5V device that needs a workaround to be compatible with your 3.3V Raspberry Pi, Arduino Due or pcDuino?

To get over this obstacle you need a device that can shift 3.3V up to 5V or 5V down to 3.3V. This is called logic level shifting. Level shifting is a dilemma so common we designed a simple PCB assembly to make interfacing devices a little easier: the Bi-Directional Logic Level Converter.



Though they're share the same shape and size, this bi-directional logic level converter shouldn't be confused with the more "uni-directional" version. This converter can pass data from high to low *and/or* low to high on **all channels**. It's perfect for level-shifting between devices that are sharing a data wire, like I²C or a one-wire interface.

Covered In This Tutorial

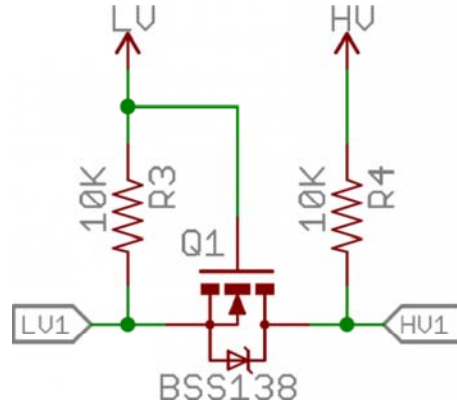
In this tutorial we'll take an in-depth look at the Bi-Directional Logic Level Converter. We'll examine the schematic and board layout – explaining what each pin on the board does. At the end we'll go over some hookup examples to show how you might hook the board up for various interfaces.

Suggested Reading

- Logic Levels
- How to Use a Breadboard
- What is an Arduino?
- How to Solder
- Working with Wire

Board Overview

If you take a peak at the board's schematic, you'd find that the bi-directional logic level converter (let's shorten that to BD-LLC) is actually a very simple device. There is basically one level-shifting circuit on the board, which is repeated four times to create four level-shifting channels. The circuit uses a single N-channel MOSFET and a couple pull-up resistors to realize bi-directional level shifting.

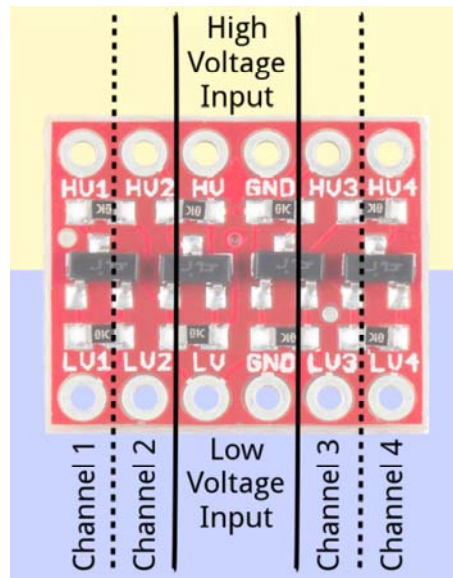


The bi-directional level-shifting circuit used on all four channels of the BD-LLC.

Through some semiconductor magic, this circuit can shift a low voltage signal to high *and/or* shift a high-voltage signal to a low voltage. A 0V signal on one end remains a 0V signal on the other. For a complete analysis of this circuit, check out this excellent Philips Application Note AN97055.

The Pinout

There are 12 total pins on the BD-LLC – two parallel rows of six headers. One row contains all of the high voltage (e.g. 5V) inputs and outputs, the other row has all things low voltage (e.g. 3.3V).



The pins are labeled on both the bottom and top sides of the board, and organized into groups. Let's look closer at some of the pin groups:

Voltage Inputs

The pins labeled **HV**, **LV**, and two **GND**'s provide high and low **voltage references** to the board. Supplying a steady, regulated voltage to both of these inputs is **required**.

The voltage supplied to the **HV** and **GND** inputs should be higher than that supplied to the **LV** side. For example, if you're interfacing from 5V to 3.3V, the voltage on the **HV** pin should be 5V, and the voltage on **LV** should be 3.3V.

Data Channels

There are four separate data channels on the BD-LLC, each capable of shifting data to and from high and low voltages. These pins are labeled **HV1**, **LV1**, **HV2**, **LV2**, **HV3**, **LV3**, **HV4**, and **LV4**. The number at the end of each label designates the channel of the pin, and the **HV** or **LV** prefix determines whether it's on the high or low side of the channel.

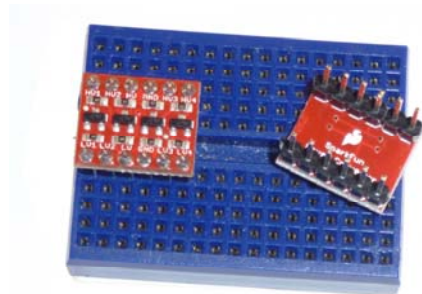
A low-voltage signal sent in to **LV1**, for example, will be shifted up to the higher voltage and sent out **HV1**. Something sent in **HV3** will be shifted down and sent out of **LV3**. Use as many of these channels as your project requires. You don't have to use every single one.

Keep in mind that these level shifters are **purely digital**. They can't map an analog voltage from one max voltage to another.

Hookup Examples

Assembly

Before you can plug the converter into your system, you'll need to solder something into it. There are a lot of options here. You could solder straight male headers in, and plug it right into a breadboard. Or perhaps you want to solder wires directly into it. Pick an assembly method that melds with how you intend to use the board.

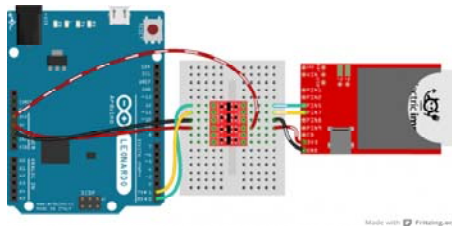


Once your BD-LLC is soldered up, it's time to hook it up. Your hookup will probably vary depending on which communication interface you're using. Below we'll show how to hook the level converter for three of the most common communication protocols.

Using the BD-LLC for Serial

Although you won't be taking advantage of the BD-LCC's bi-directional abilities, it's perfectly fine to use the board to shift serial communication. Serial usually requires two signal wires – **RX** (receive) and **TX** (transmit) – which both have a defined direction. These signals can be passed through any of the four channels on the BD-LLC.

Let's say, for example, you want to hookup an Electric Imp Breakout Board (which has a 3.6V maximum input voltage) to an Arduino Uno via their UARTs. Here's one possible hook up:

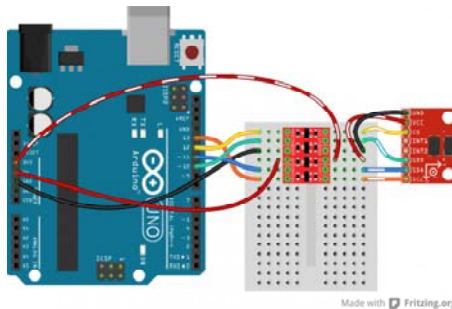


Make sure *LV* is powered at 3.3V, and *HV* is at 5V. Double-check that the channels match up, and a-shifting you will go! You've even got two extra channels to shift as you please.

Using the BD-LLC for SPI

The BD-LLC's four channels are a perfect match for most SPI communications. SPI usually requires four wires: MOSI (master out, slave in), MISO (master in, slave out), SCLK (serial clock), and CS (chip select). These four wires can each be routed through a channel on the BD-LLC.

For example, if you wanted to connect an Arduino to an ADXL345 Breakout Board, which has an operating range of 2.0-3.6V, here's how the BD-LLC could be spliced in:

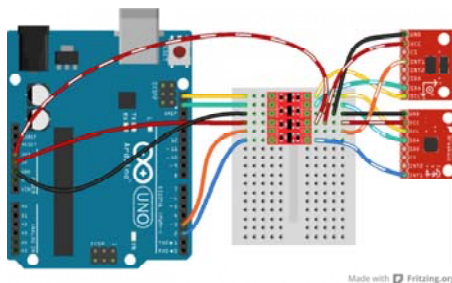


Since each of the channels on the BD-LLC are bi-directional any of the four SPI lines can go through any of the BD-LLC's four channels.

Using the BD-LLC for I²C

I²C is the communication standard where the BD-LLC really shines, because it requires that both data and clock signals – SDA and SCL – be bi-directional. Each of those lines can be passed through any of the BD-LLC's level-shifting channels.

For this example, let's keep using the ADXL345 breakout but instead swap over to the I²C interface. We can even add another I²C device...how about the L3G4200D Gyroscope Breakout. Since I²C is only a two-wire interface, we have room on the BD-LLC to fit in a couple of extra signals, like the interrupt outputs from each board



The two 3.3V I²C devices can both share the same level shifted SDA and SCL lines. Even more I²C device can be added, as long as they have unique addresses.

Resources & Going Further

Here are some resources related to the LLC and level-shifting in general:

- [Bi-Directional Logic Level Converter Schematic](#)
- [Bi-Directional Logic Level Converter Eagle Files](#)
- [Bi-Directional Logic Level Converter GitHub Repo](#)
- [Philips AN97055](#) – An awesome application note covering bi-directional level shifting circuits.

Going Further

If you're looking for a place to use the LLC, these tutorials might spark some ideas:

- [Electric Imp Breakout Hookup Guide](#) – The Electric Imp works at 3.3V max, so if you interface it with any 5V systems you may need an LLC.
- [Getting Started with pcDuino](#) – The pcDuino is another 3.3V-based system. This is a powerhouse compared to the Electric Imp, though. It can run Linux or Android, and has all sorts of awesome functionality.
- [Using the Arduino Pro Mini 3.3V](#) – If you want to stick with Arduino, and want to use 3.3V sensors, consider using an Arduino that runs at 3.3V. That way you won't even need to bother with an LLC!



Стандарт Электрон Связь

Мы молодая и активно развивающаяся компания в области поставок электронных компонентов. Мы поставляем электронные компоненты отечественного и импортного производства напрямую от производителей и с крупнейших складов мира.

Благодаря сотрудничеству с мировыми поставщиками мы осуществляем комплексные и плановые поставки широчайшего спектра электронных компонентов.

Собственная эффективная логистика и склад в обеспечивает надежную поставку продукции в точно указанные сроки по всей России.

Мы осуществляем техническую поддержку нашим клиентам и предпродажную проверку качества продукции. На все поставляемые продукты мы предоставляем гарантию .

Осуществляем поставки продукции под контролем ВП МО РФ на предприятия военно-промышленного комплекса России , а также работаем в рамках 275 ФЗ с открытием отдельных счетов в уполномоченном банке. Система менеджмента качества компании соответствует требованиям ГОСТ ISO 9001.

Минимальные сроки поставки, гибкие цены, неограниченный ассортимент и индивидуальный подход к клиентам являются основой для выстраивания долгосрочного и эффективного сотрудничества с предприятиями радиоэлектронной промышленности, предприятиями ВПК и научно-исследовательскими институтами России.

С нами вы становитесь еще успешнее!

Наши контакты:

Телефон: +7 812 627 14 35

Электронная почта: sales@st-electron.ru

Адрес: 198099, Санкт-Петербург,
Промышленная ул, дом № 19, литера Н,
помещение 100-Н Офис 331