

#### FEATURES

Complete 14-Bit I/O System, Comprising  
 14-Bit ADC with Track/Hold Amplifier  
 83 kHz Throughput Rate  
 14-Bit DAC with Output Amplifier  
 3.5  $\mu$ s Settling Time  
 On-Chip Voltage Reference  
 Operates from  $\pm 5$  V Supplies  
 Low Power—130 mW typ  
 Small 0.3" Wide DIP

#### APPLICATIONS

Digital Signal Processing  
 Speech Recognition and Synthesis  
 Spectrum Analysis  
 High Speed Modems  
 DSP Servo Control

#### GENERAL DESCRIPTION

The AD7869 is a complete 14-bit I/O system containing a DAC and an ADC. The ADC is a successive approximation type with a track-and-hold amplifier, having a combined throughput rate of 83 kHz. The DAC has an output buffer amplifier with a settling time of 4  $\mu$ s to 14 bits. Temperature compensated 3 V buried Zener references provide precision references for the DAC and ADC.

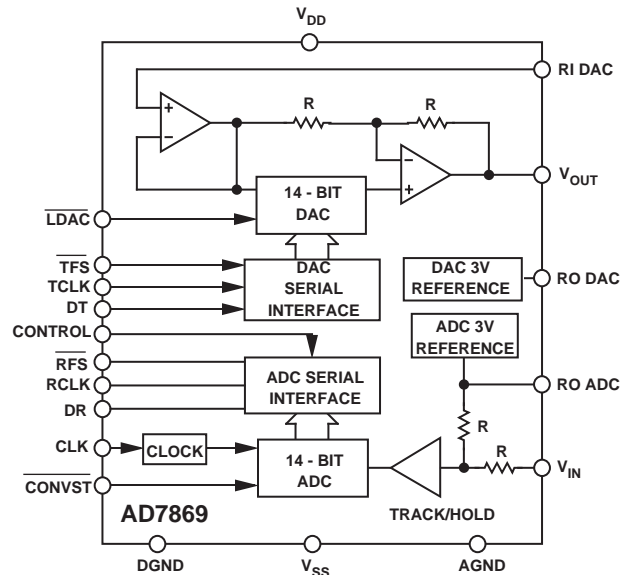
Interfacing to both the DAC and ADC is serial, minimizing pin count and giving a small 24-pin package size. Standard control signals allow serial interfacing to most DSP machines.

Asynchronous ADC conversion control and DAC updating is made possible with the  $\overline{\text{CONVST}}$  and  $\overline{\text{LDAC}}$  logic inputs.

The AD7869 operates from  $\pm 5$  V power supplies; the analog input/output range of the ADC/DAC is  $\pm 3$  V. The part is fully specified for dynamic parameters such as signal-to-noise ratio and harmonic distortion as well as traditional dc specifications.

The part is available in a 24-pin, 0.3 inch wide, plastic or hermetic dual-in-line package (DIP) and in a 28-pin, plastic SOIC package.

#### FUNCTIONAL BLOCK DIAGRAM



#### PRODUCT HIGHLIGHTS

- Complete 14-Bit I/O System.**  
 The AD7869 contains a 14-bit ADC with a track-and-hold amplifier and a 14-bit DAC with output amplifier. Also included are separate on-chip voltage references for the DAC and the ADC.
- Dynamic Specifications for DSP Users.**  
 In addition to traditional dc specifications, the AD7869 is specified for ac parameters, including signal-to-noise ratio and harmonic distortion. These parameters, along with important timing parameters, are tested on every device.
- Small Package.**  
 The AD7869 is available in a 24-pin DIP and a 28-pin SOIC package.

#### REV. B

Information furnished by Analog Devices is believed to be accurate and reliable. However, no responsibility is assumed by Analog Devices for its use, nor for any infringements of patents or other rights of third parties which may result from its use. No license is granted by implication or otherwise under any patent or patent rights of Analog Devices.

# AD7869–SPECIFICATIONS

**ADC SECTION** ( $V_{DD} = +5\text{ V} \pm 5\%$ ,  $V_{SS} = -5\text{ V} \pm 5\%$ ,  $AGND = DGND = 0\text{ V}$ ,  $f_{CLK} = 2.0\text{ MHz}$  external.  
All specifications  $T_{MIN}$  to  $T_{MAX}$  unless otherwise noted.)

Parameter	J Version <sup>1</sup>	A Version <sup>1</sup>	Units	Test Conditions/Comments
<b>DYNAMIC PERFORMANCE<sup>2</sup></b>				
Signal-to-Noise Ratio <sup>3,4</sup> (SNR) @ +25°C $T_{MIN}$ to $T_{MAX}$	78 78	78 77	dB min dB min	$V_{IN} = 10\text{ kHz}$ Sine Wave, $f_{SAMPLE} = 83\text{ kHz}$
Total Harmonic Distortion (THD)	-86	-86	dB typ	$V_{IN} = 10\text{ kHz}$ Sine Wave, $f_{SAMPLE} = 83\text{ kHz}$
Peak Harmonic or Spurious Noise Intermodulation Distortion (IMD)	-86	-86	dB typ	$V_{IN} = 10\text{ kHz}$ Sine Wave, $f_{SAMPLE} = 83\text{ kHz}$
Second Order Terms	-86	-86	dB typ	$f_a = 9\text{ kHz}$ , $f_b = 9.5\text{ kHz}$ , $f_{SAMPLE} = 50\text{ kHz}$
Third Order Terms	-88	-88	dB typ	$f_a = 9\text{ kHz}$ , $f_b = 9.5\text{ kHz}$ , $f_{SAMPLE} = 50\text{ kHz}$
Track/Hold Acquisition Time	2	2	$\mu\text{s}$ max	
<b>DC ACCURACY</b>				
Resolution	14	14	Bits	No Missing Codes Are Guaranteed
Minimum Resolution	14	14	Bits	
Integral Nonlinearity	$\pm 2$	$\pm 2$	LSB max	
Differential Nonlinearity	$\pm 1$	$\pm 1$	LSB max	
Bipolar Zero Error	$\pm 20$	$\pm 20$	LSB max	
Positive Gain Error <sup>5</sup>	$\pm 20$	$\pm 20$	LSB max	
Negative Gain Error <sup>5</sup>	$\pm 20$	$\pm 20$	LSB max	
<b>ANALOG INPUT</b>				
Input Voltage Range	$\pm 3$	$\pm 3$	Volts	
Input Current	$\pm 1$	$\pm 1$	mA max	
<b>REFERENCE OUTPUT<sup>6</sup></b>				
RO ADC @ +25°C	2.99/3.01	2.99/3.01	V min/ V max	
RO ADC TC	$\pm 25$	$\pm 25$	ppm/°C typ	
			$\pm$ ppm/°C max	
Reference Load Sensitivity ( $\Delta$ RO ADC vs. $\Delta$ I)	-1.5	-1.5	mV max	Reference Load Current Change (0–500 $\mu$ A), Reference Load Should Not Be Changed During Conversion
<b>LOGIC INPUTS (CONVST, CLK, CONTROL)</b>				
Input High Voltage, $V_{INH}$	2.4	2.4	V min	$V_{DD} = 5\text{ V} \pm 5\%$ $V_{DD} = 5\text{ V} \pm 5\%$ $V_{IN} = 0\text{ V}$ to $V_{DD}$ $V_{IN} = V_{SS}$ to DGND
Input Low Voltage, $V_{INL}$	0.8	0.8	V max	
Input Current, $I_{IN}$	$\pm 10$	$\pm 10$	$\mu$ A max	
Input Current <sup>7</sup> (CONTROL & CLK)	$\pm 10$	$\pm 10$	$\mu$ A max	
Input Capacitance, $C_{IN}$ <sup>8</sup>	10	10	pF max	
<b>LOGIC OUTPUTS</b>				
DR, $\overline{\text{RFS}}$ Outputs				$I_{SINK} = 1.6\text{ mA}$ , Pull-Up Resistor = 4.7 k $\Omega$
Output Low Voltage, $V_{OL}$	0.4	0.4	V max	
RCLK Output				$I_{SINK} = 2.6\text{ mA}$ , Pull-Up Resistor = 2 k $\Omega$
Output Low Voltage, $V_{OL}$	0.4	0.4	V max	
DR, $\overline{\text{RFS}}$ , RCLK Outputs				
Floating-State Leakage Current	$\pm 10$	$\pm 10$	$\mu$ A max	
Floating-State Output Capacitance <sup>8</sup>	15	15	pF max	
<b>CONVERSION TIME</b>				
External Clock	10	10	$\mu\text{s}$ max	The Internal Clock Has a Nominal Value of 2.0 MHz
Internal Clock	10	10	$\mu\text{s}$ max	
<b>POWER REQUIREMENTS</b>				
$V_{DD}$	+5	+5	V nom	For Both DAC and ADC $\pm 5\%$ for Specified Performance $\pm 5\%$ for Specified Performance Cumulative Current from the Two $V_{DD}$ Pins Cumulative Current from the Two $V_{SS}$ Pins Typically 130 mW
$V_{SS}$	-5	-5	V nom	
$I_{DD}$	22	22	mA max	
$I_{SS}$	12	12	mA max	
Total Power Dissipation	170	170	mW max	

## NOTES

<sup>1</sup>Temperature ranges are as follows: J Version, 0°C to +70°C; A Version, -40°C to +85°C.

<sup>2</sup> $V_{IN} = \pm 3\text{ V}$ .

<sup>3</sup>SNR calculation includes distortion and noise components.

<sup>4</sup>SNR degradation due to asynchronous DAC updating during conversion is 0.1 dB typ.

<sup>5</sup>Measured with respect to internal reference.

<sup>6</sup>For capacitive loads greater than 50 pF, a series resistor is required (see Internal Reference section).

<sup>7</sup>Tying the CONTROL input to  $V_{DD}$  places the device in a factory test mode where normal operation is not exhibited.

<sup>8</sup>Sample tested @ +25°C to ensure compliance.

Specifications subject to change without notice.

## DAC SECTION

( $V_{DD} = +5\text{ V} \pm 5\%$ ,  $V_{SS} = -5\text{ V} \pm 5\%$ ,  $AGND = DGND = 0\text{ V}$ ,  $RI\ DAC = +3\text{ V}$  and decoupled as shown in Figure 2,  $V_{OUT}$  Load to  $AGND_i = 2\text{ k}\Omega$ ,  $C_L = 100\text{ pF}$ . All specifications  $T_{MIN}$  to  $T_{MAX}$  unless otherwise noted.)

Parameter	J Versions <sup>1</sup>	A Version <sup>1</sup>	Units	Test Conditions/Comments
<b>DYNAMIC PERFORMANCE<sup>2</sup></b>				
Signal-to-Noise Ratio <sup>3</sup> (SNR) @ +25°C $T_{MIN}$ to $T_{MAX}$	78 78	78 77	dB min dB min	$V_{OUT} = 1\text{ kHz}$ Sine Wave, $f_{SAMPLE} = 83\text{ kHz}$ Typically 82 dB at +25°C for $0 < V_{OUT} < 20\text{ kHz}$ <sup>4</sup>
Total Harmonic Distortion (THD)	-86	-86	dB typ	$V_{OUT} = 1\text{ kHz}$ Sine Wave, $f_{SAMPLE} = 83\text{ kHz}$ Typically -84 dB at +25°C for $0 < V_{OUT} < 20\text{ kHz}$ <sup>4</sup>
Peak Harmonic or Spurious Noise	-86	-86	dB typ	$V_{OUT} = 1\text{ kHz}$ , $f_{SAMPLE} = 83\text{ kHz}$ Typically -84 dB at +25°C for $0 < V_{OUT} < 20\text{ kHz}$ <sup>4</sup>
<b>DC ACCURACY</b>				
Resolution	14	14	Bits	Guaranteed Monotonic
Integral Nonlinearity	±2	±2	LSB max	
Differential Nonlinearity	±1	±1	LSB max	
Bipolar Zero Error	±10	±10	LSB max	
Positive Full-Scale Error <sup>5</sup>	±10	±10	LSB max	
Negative Full-Scale Error <sup>5</sup>	±10	±10	LSB max	
<b>REFERENCE OUTPUT<sup>6</sup></b>				
RO DAC @ +25°C	2.99/3.01	2.99/3.01	V min/V max	Reference Load Current Change (0 µA–500 µA)
RO DAC TC	±25	±25 ±40	ppm/°C typ ppm/°C max	
Reference Load Change (ΔRO DAC vs. ΔI)	-1.5	-1.5	mV max	
<b>REFERENCE INPUT</b>				
RI DAC Input Range	2.85/3.15	2.85/3.15	V min/V max	3 V ± 5%
Input Current	1	1	µA max	
<b>LOGIC INPUTS</b> (LDAC, TFS, TCLK, DT)				
Input High Voltage, $V_{INH}$	2.4	2.4	V min	$V_{DD} = 5\text{ V} \pm 5\%$ $V_{DD} = 5\text{ V} \pm 5\%$ $V_{IN} = 0\text{ V}$ to $V_{DD}$
Input Low Voltage, $V_{INL}$	0.8	0.8	V max	
Input Current, $I_{IN}$	±10	±10	µA max	
Input Capacitance, $C_{IN}$ <sup>7</sup>	10	10	pF max	
<b>ANALOG OUTPUT</b>				
Output Voltage Range	±3	±3	V nom	
DC Output Impedance	0.3	0.3	Ω typ	
Short-Circuit Current	20	20	mA typ	
<b>AC CHARACTERISTICS<sup>7</sup></b>				
Voltage Output Settling-Time Positive Full-Scale Change	4	4	µs max	Settling Time to Within ±1/2 LSB of Final Value Typically 3 µs
Negative Full-Scale Change	4	4	µs max	
Digital-to-Analog Glitch Impulse	10	10	nV secs typ	DAC Code Change All 1s to All 0s
Digital Feedthrough	2	2	nV secs typ	
$V_{IN}$ to $V_{OUT}$ Isolation	100	100	dB typ	$V_{IN} = \pm 3\text{ V}$ , 41.5 kHz Sine Wave
<b>POWER REQUIREMENTS</b>		As per ADC Section		

## NOTES

<sup>1</sup>Temperature ranges are as follows: J Version, 0°C to +70°C; A Version, -40°C to +85°C.

<sup>2</sup> $V_{OUT}$  (p-p) = ±3 V.

<sup>3</sup>SNR calculation includes distortion and noise components.

<sup>4</sup>Using external sample and hold, see Figures 13 to 15.

<sup>5</sup>Measured with respect to REF IN and includes bipolar offset error.

<sup>6</sup>For capacitive loads greater than 50 pF a series resistor is required (see Internal Reference section).

<sup>7</sup>Sample tested @ +25°C to ensure compliance.

Specifications subject to change without notice

# AD7869

## TIMING SPECIFICATIONS<sup>1, 2</sup> ( $V_{DD} = +5 V \pm 5\%$ , $V_{SS} = -5 V \pm 5\%$ , $AGND = DGND = 0 V$ )

Parameter	Limit at $T_{MIN}$ , $T_{MAX}$ (All Versions)	Units	Conditions/Comments
<b>ADC TIMING</b>			
$t_1$	50	ns min	$\overline{CONVST}$ Pulse Width
$t_2^3$	440	ns min	RCLK Cycle Time, Internal Clock
$t_3$	100	ns min	$\overline{RFS}$ to RCLK Falling Edge Setup Time
$t_4$	20	ns min	RCLK Rising Edge to $\overline{RFS}$
	100	ns max	
$t_5^4$	155	ns max	RCLK to Valid Data Delay, $C_L = 35$ pF
$t_6$	4	ns min	Bus Relinquish Time after RCLK
	100	ns max	
$t_{13}^5$	2 RCLK + 200 to 3 RCLK + 200	ns typ	$\overline{CONVST}$ to $\overline{RFS}$ Delay
<b>DAC TIMING</b>			
$t_7$	50	ns min	$\overline{TFS}$ to TCLK Falling Edge
$t_8$	75	ns min	TCLK Falling Edge to $\overline{TFS}$
$t_9$	150	ns min	TCLK Cycle Time
$t_{10}$	30	ns min	Data Valid to TCLK Setup Time
$t_{11}$	75	ns min	Data Valid to TCLK Hold Time
$t_{12}$	40	ns min	$\overline{LDAC}$ Pulse Width

### NOTES

<sup>1</sup>Timing specifications are sample tested at +25°C to ensure compliance. All input signals are specified with  $t_r = t_f = 5$  ns (10% to 90% of 5 V) and timed from a voltage level of 1.6 V.

<sup>2</sup>Serial timing is measured with a 4.7 k $\Omega$  pull-up resistor on DR and  $\overline{RFS}$  and a 2 k $\Omega$  pull-up resistor on RCLK. The capacitance on all three outputs is 35 pF.

<sup>3</sup>When using internal clock, RCLK mark/space ratio (measured from a voltage level of 1.6 V) range is 40/60 to 60/40. For external clock, RCLK mark/space ratio = external clock mark/space ratio.

<sup>4</sup>DR will drive higher capacitance loads but this will add to  $t_5$  since it increases the external RC time constant ( $4.7$  k $\Omega/C_L$ ) and hence the time to reach 2.4 V.

<sup>5</sup>Time 2 RCLK to 3 RCLK depends on conversion start to ADC clock synchronization.

<sup>6</sup>TCLK mark/space ratio is 40/60 to 60/40.

### ABSOLUTE MAXIMUM RATINGS\*

( $T_A = +25^\circ\text{C}$  unless otherwise noted)

$V_{DD}$ to AGND	-0.3 V to +7 V
$V_{SS}$ to AGND	+0.3 V to -7 V
AGND to DGND	-0.3 V to $V_{DD} + 0.3$ V
$V_{OUT}$ to AGND	$V_{SS}$ to $V_{DD}$
$V_{IN}$ to AGND	$V_{SS} - 0.3$ V to $V_{DD} + 0.3$ V
RO ADC to AGND	-0.3 V to $V_{DD} + 0.3$ V
RO DAC to AGND	-0.3 V to $V_{DD} + 0.3$ V
RI DAC to AGND	-0.3 V to $V_{DD} + 0.3$ V
Digital Inputs to DGND	-0.3 V to $V_{DD} + 0.3$ V
Digital Outputs to DGND	-0.3 V to $V_{DD} + 0.3$ V

### Operating Temperature Range

J Version	0°C to +70°C
A Version	-40°C to +85°C
Storage Temperature Range	-65°C to +150°C
Lead Temperature (Soldering, 10 secs)	+300°C
Power Dissipation (Any Package) to +75°C	1000 mW
Derates above +75°C by	10 mW/°C

\*Stresses above those listed under "Absolute Maximum Ratings" may cause permanent damage to the device. This is a stress rating only; functional operation of the device at these or any other conditions above those listed in the operational sections of this specification is not implied. Exposure to absolute maximum rating conditions for extended periods may affect device reliability.

### CAUTION

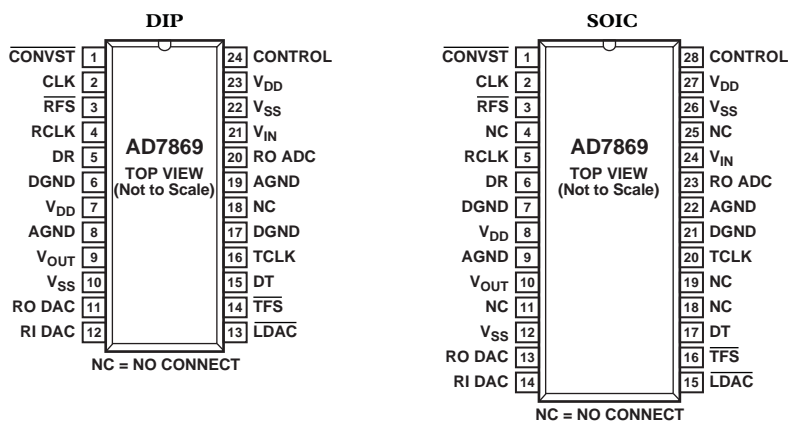
ESD (electrostatic discharge) sensitive device. Electrostatic charges as high as 4000 V readily accumulate on the human body and test equipment and can discharge without detection. Although the AD7869 features proprietary ESD protection circuitry, permanent damage may occur on devices subjected to high energy electrostatic discharges. Therefore, proper ESD precautions are recommended to avoid performance degradation or loss of functionality.



## AD7869 PIN FUNCTION DESCRIPTION

DIP Pin Number	Mnemonic	Function
<b>POWER SUPPLY</b>		
7 & 23	V <sub>DD</sub>	Positive Power Supply, 5 V ± 5%. Both V <sub>DD</sub> pins must be tied together.
10 & 22	V <sub>SS</sub>	Negative Power Supply, -5 V ± 5%. Both V <sub>SS</sub> pins must be tied together.
8 & 19	AGND	Analog Ground. Both AGND pins must be tied together.
6 & 17	DGND	Digital Ground. Both DGND pins must be tied together.
<b>ANALOG SIGNAL AND REFERENCE</b>		
21	V <sub>IN</sub>	ADC Analog Input. The ADC input range is ±3 V.
9	V <sub>OUT</sub>	Analog Output Voltage from DAC. This output comes from a buffer amplifier. The range is bipolar, ±3 V with RI DAC = +3 V.
20	RO ADC	Voltage Reference Output. The internal ADC 3 V reference is provided at this pin. This output may be used as a reference for the DAC by connecting it to the RI DAC input. The external load capability of this reference is 500 μA.
11	RO DAC	DAC Voltage Reference Output. This is one of two internal voltage references. To operate the DAC with this internal reference, RO DAC should be connected to RI DAC. The external load capability of the reference is 500 μA.
12	RI DAC	DAC Voltage Reference Input. The voltage reference for the DAC must be applied to this pin. It is internally buffered before being applied to the DAC. The nominal reference voltage for correct operation of the AD7869 is 3 V.
<b>ADC INTERFACE AND CONTROL</b>		
2	CLK	Clock Input. An external TTL-compatible clock may be applied to this input. Alternatively, tying this pin to V <sub>SS</sub> enables the internal laser-trimmed oscillator.
3	RFS	Receive Frame Synchronization, Logic Output. This is an active low open-drain output that provides a framing pulse for serial data. An external 4.7 kΩ pull-up resistor is required on RFS.
4	RCLK	Receive Clock, Logic Output. RCLK is the gated serial clock output that is derived from the internal or external ADC clock. If the CONTROL input is at V <sub>SS</sub> , the clock runs continuously. With the CONTROL input at DGND, the RCLK output is gated off (three-state) after serial transmission is complete. RCLK is an open-drain output and requires an external 2 kΩ pull-up resistor.
5	DR	Receive Data, Logic Output. This is an open-drain data output used in conjunction with RFS and RCLK to transmit data from the ADC. Serial data is valid on the falling edge of RCLK when RFS is low. An external 4.7 kΩ resistor is required on the DR output.
1	CONVST	Convert Start, Logic Input. A low to high transition on this input puts the track-and-hold amplifier into the hold mode and starts an ADC conversion. This input is asynchronous to the CLK input.
24	CONTROL	Control, Logic Input. With this pin at 0 V, the RCLK is noncontinuous. With this pin at -5 V, the RCLK is continuous. Note, tying this pin to V <sub>DD</sub> places the part in a factory test mode where normal operation is not exhibited.
<b>DAC INTERFACE AND CONTROL</b>		
14	TFS	Transmit Frame Synchronization, Logic Input. This is a frame or synchronization signal for the DAC with serial data expected after the falling edge of this signal.
15	DT	Transmit Data, Logic Input. This is the data input that is used in conjunction with TFS and TCLK to transfer serial data to the input latch.
16	TCLK	Transmit Clock, Logic Input. Serial data bits are latched on the falling edge of TCLK when TFS is low.
13	LDAC	Load DAC, Logic Input. A new word is transferred into the DAC latch from the input latch on the falling edge of this signal.
18	NC	No Connect.

## PIN CONFIGURATIONS



# AD7869

## CONVERTER DETAILS

The AD7869 is a complete 14-bit I/O port; the only external components required for normal operation are pull-up resistors for the ADC data outputs, and power supply decoupling capacitors. The AD7869 is comprised of a 14-bit successive approximation ADC with a track/hold amplifier, a 14-bit DAC with a buffered output and two 3 V buried Zener references, a clock oscillator and control logic.

## ADC CLOCK

The AD7869 has an internal clock oscillator that can be used for the ADC conversion procedure. The oscillator is enabled by tying the CLK input to  $V_{SS}$ . The oscillator is laser trimmed at the factory to give a maximum conversion time of 10  $\mu$ s. The mark/space ratio can vary from 40/60 to 60/40. Alternatively, an external TTL compatible clock may be applied to this input. The allowable mark/space ratio of an external clock is 40/60 to 60/40.

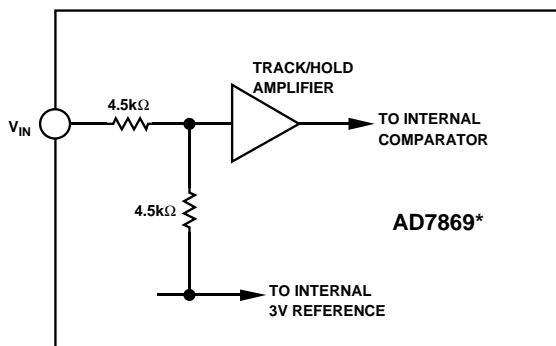
RCLK is a clock output, used for the serial interface. This output is derived directly from the ADC clock source and can be switched off at the end of conversion with the CONTROL input.

## ADC CONVERSION TIMING

The conversion time for both external clock and continuous internal clock can vary from 19 to 20 rising clock edges, depending on the conversion start to ADC clock synchronization. If a conversion is initiated within 30 ns prior to a rising edge of the ADC clock, the conversion time will consist of 20 rising clock edges, i.e., 9.5  $\mu$ s conversion time. For noncontinuous internal clock, the conversion time always consists of 19 rising clock edges.

## ADC TRACK-AND-HOLD AMPLIFIER

The track-and-hold amplifier on the analog input of the AD7869 allows the ADC to accurately convert an input sine wave of 6 V peak-peak amplitude to 14-bit accuracy. The input impedance is typically 9 k $\Omega$ ; an equivalent circuit is shown in Figure 1. The input bandwidth of the track/hold amplifier is much greater than the Nyquist rate of the ADC even when the ADC is operated at its maximum throughput rate. The 0.1 dB cutoff frequency occurs typically at 500 kHz. The track/hold amplifier acquires an input signal to 14-bit accuracy in less than 2  $\mu$ s. The overall throughput rate is equal to the conversion time plus the track/hold amplifier acquisition time. For a 2.0 MHz input clock, the throughput time is 12  $\mu$ s max.



\*ADDITIONAL PINS OMITTED FOR CLARITY

Figure 1. ADC Analog Input

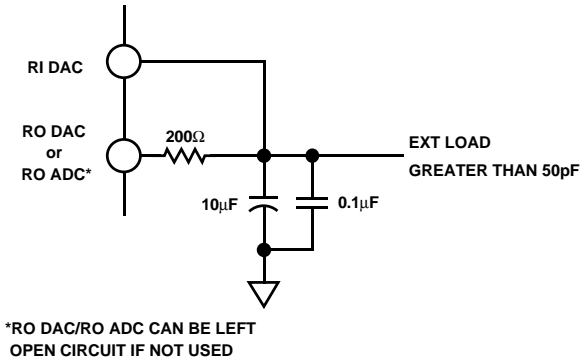
The operation of the track/hold amplifier is essentially transparent to the user. The track/hold amplifier goes from its track mode to its hold mode at the start of conversion on the rising edge of  $\overline{\text{CONVST}}$ .

## INTERNAL REFERENCES

The AD7869 has two on-chip temperature compensated buried Zener references that are factory trimmed to  $3 \text{ V} \pm 10 \text{ mV}$ . One reference provides the appropriate biasing for the ADC, while the other is available as a reference for the DAC. Both reference outputs are available (labelled RO DAC and RO ADC) and are capable of providing up to 500  $\mu$ A to an external load.

The DAC input reference (RI DAC) can be sourced externally or connected to any of the two on-chip references. Applications requiring good full-scale error matching between the DAC and the ADC should use the ADC reference as shown in Figure 4.

The maximum recommended capacitance on either of the reference output pins for normal operation is 50 pF. If either of the reference outputs is required to drive a capacitive load greater than 50 pF, then a 200  $\Omega$  resistor must be placed in series with the capacitive load. The addition of decoupling capacitors, 10  $\mu$ F in parallel with 0.1  $\mu$ F as shown in Figure 2, improves noise performance. The improvement in noise performance can be seen from the graph in Figure 3. Note: this applies for the DAC output only; reference decoupling components do not affect ADC performance. Consequently, a typical application will have just the DAC reference decoupled with the other one open circuited.



\*RO DAC/RO ADC CAN BE LEFT OPEN CIRCUIT IF NOT USED

Figure 2. Reference Decoupling Components

## DAC OUTPUT AMPLIFIER

The output from the voltage mode DAC is buffered by a non-inverting amplifier. The buffer amplifier is capable of developing  $\pm 3 \text{ V}$  across 2 k $\Omega$  and 100 pF load to ground and can produce 6 V peak-to-peak sine wave signals to a frequency of 20 kHz. The output is updated on the falling edge of the LDAC input. The output voltage settling time, to within 1/2 LSB of its final value, is typically less than 3.5  $\mu$ s.

The small signal (200 mV p-p) bandwidth of the output buffer amplifier is typically 1 MHz. The output noise from the amplifier is low with a figure of 30 nV/ $\sqrt{\text{Hz}}$  at a frequency of 1 kHz. The broadband noise from the amplifier exhibits a typical peak-to-peak figure of 150  $\mu$ V for a 1 MHz output bandwidth. Figure 3 shows a typical plot of noise spectral density versus frequency for the output buffer amplifier and for either of the on-chip references.

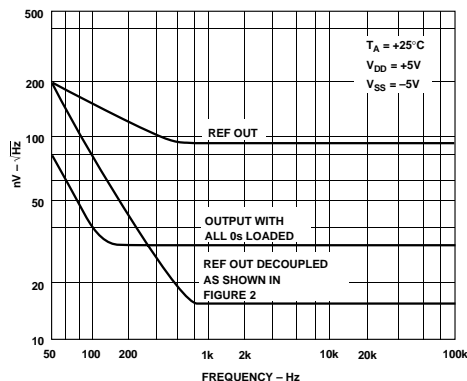


Figure 3. Noise Spectral Density vs. Frequency

**INPUT/OUTPUT TRANSFER FUNCTIONS**

A bipolar circuit for the AD7869 is shown in Figure 4.

The analog input/output voltage range of the AD7869 is  $\pm 3$  V. The designed code transitions for the ADC occur midway between successive integer LSB values (i.e., 1/2 LSB, 3/2 LSB, 5/2 LSB . . . FS - 3/2 LSBs). The input/output code is 2s Complement Binary with 1 LSB =  $FS/16384 = 366 \mu V$ . The ideal transfer function is shown in Figure 5.

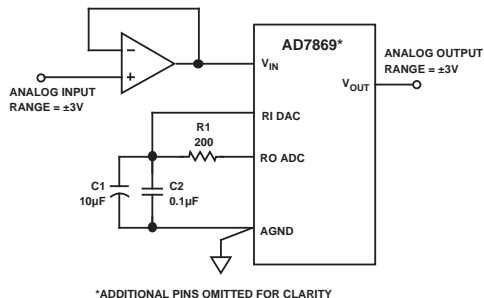


Figure 4. Basic Bipolar Operation

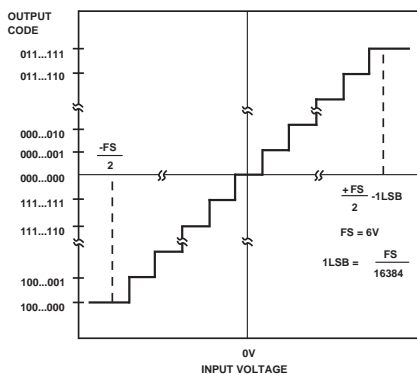


Figure 5. Input/Output Transfer Function

**OFFSET AND FULL SCALE ADJUSTMENT**

In most digital signal processing (DSP) applications, offset and full-scale errors have little or no effect on system performance. Offset error can always be eliminated in the analog domain by ac coupling. Full-scale errors do not cause problems as long as the input signal is within the full dynamic range of the ADC. For applications requiring that the input signal range match the full analog input dynamic range of the ADC, offset and full-scale errors have to be adjusted to zero.

**ADC ADJUSTMENT**

Figure 6 has signal conditioning at the input and output of the AD7869 for trimming the endpoints of the transfer functions of both the ADC and the DAC. Offset error must be adjusted before full-scale error. For the ADC, this is achieved by trimming the offset of A1 while the input voltage, V1, is 1/2 LSB below ground. The trim procedure is as follows: apply a voltage of  $-183 \mu V$  (-1/2 LSB) at V1 in Figure 6 and adjust the offset voltage of A1 until the ADC output code flickers between 11 1111 1111 1111 (3FFF HEX) and 00 0000 0000 0000 (0000 HEX).

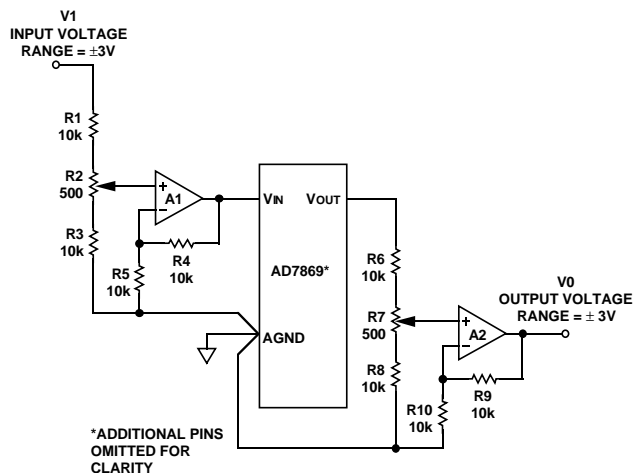


Figure 6. AD7869 with Input/Output Adjustment

ADC gain error can be adjusted at either the first code transition (ADC negative full scale) or the last code transition (ADC positive full scale). The trim procedures for both cases are as follows (see Figure 6).

**ADC Positive Full-Scale Adjustment**

Apply a voltage of 2.99945 V ( $FS/2 - 3/2$  LSBs) at V1. Adjust R2 until the ADC output code flickers between 01 1111 1111 1110 (1FFE HEX) and 01 1111 1111 1111 (1FFF HEX).

**ADC Negative Full-Scale Adjustment**

Apply a voltage of  $-2.99982$  V ( $-FS/2 + 1/2$  LSB) at V1 and adjust R2 until the ADC output code flickers between 10 0000 0000 0000 (2000 HEX) and 10 0000 0000 0001 (2001 HEX).

**DAC ADJUSTMENT**

Op amp A2 is included in Figure 6 for the DAC transfer function adjustment. Again, offset must be adjusted before full scale. To adjust offset, load the DAC with 00 0000 0000 0000 (0000 HEX) and trim the offset of A2 to 0 V. As with the ADC adjustment, gain error can be adjusted at either the first code transition (DAC negative full scale) or the last code transition (DAC positive full scale). The trim procedures for both cases are as follows:

**DAC Positive Full-Scale Adjustment**

Load the DAC with 01 1111 1111 1111 (1FFF HEX) and adjust R7 until the op amp output voltage is equal to 2.99963 V ( $FS/2 - 1$  LSB).

**DAC Negative Full-Scale Adjustment**

Load the DAC with 10 0000 0000 0000 (2000 HEX) and adjust R7 until the op amp output voltage is equal to  $-3$  V ( $-FS/2$ ).

# AD7869

## TIMING AND CONTROL

Communication with the AD7869 is managed by six dedicated pins. These consist of separate serial clocks, word framing or strobe pulses, and data signals for both receiving and transmitting data. Conversion starts and DAC updating are controlled by two digital inputs,  $\overline{\text{CONVST}}$  and  $\overline{\text{LDAC}}$ . These inputs can be asserted independently of the microprocessor by an external timer when precise sampling intervals are required. Alternatively, the  $\overline{\text{LDAC}}$  and  $\overline{\text{CONVST}}$  can be driven from a decoded address bus, allowing the microprocessor control over conversion start and DAC updating as well as data communication to the AD7869.

### ADC Timing

Conversion control is provided by the  $\overline{\text{CONVST}}$  input. A low to high transition on  $\overline{\text{CONVST}}$  input starts conversion and drives the track/hold amplifier into its hold mode. Serial data then becomes available while conversion is in progress. The corresponding timing diagram is shown in Figure 7. The word length is 16 bits, two leading zeros followed by the 14-bit conversion result starting with the MSB. The data is synchronized to the serial clock output (RCLK) and is framed by the serial strobe (RFS). Data is clocked out on a low to high transition of the serial clock and is valid on the falling edge of this clock while the  $\overline{\text{RFS}}$  output is low.  $\overline{\text{RFS}}$  goes low at the start of conversion, and the first serial data bit (which is the first leading zero) is valid on the first falling edge of RCLK. All the ADC serial lines are open-drain outputs and require external pull-up resistors.

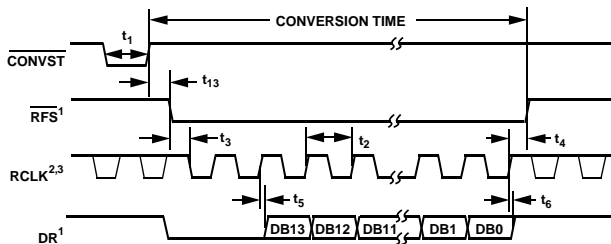


Figure 7. ADC Control Timing Diagram

The serial clock out is derived from the ADC master clock source, which may be internal or external. Normally, RCLK is required during the serial transmission only. In these cases, it can be shut down (i.e., placed into three-state) at the end of conversion to allow multiple ADCs to share a common serial bus. However, some serial systems (e.g., TMS32020) require a serial clock that runs continuously. Both options are available on the AD7869 ADC. With the CONTROL input at 0 V, RCLK is noncontinuous; when it is at -5 V, RCLK is continuous.

## DAC TIMING

The AD7869 DAC contains two latches, an input latch and a DAC latch. Data must be loaded to the input latch under the control of the  $\overline{\text{TCLK}}$ ,  $\overline{\text{TFS}}$  and DT serial logic inputs. Data is then transferred from the input latch to the DAC latch under the control of the  $\overline{\text{LDAC}}$  signal. Only the data in the DAC latch determines the analog output of the AD7869.

Data is loaded to the input latch under control of  $\overline{\text{TCLK}}$ ,  $\overline{\text{TFS}}$  and DT. The AD7869 DAC expects a 16-bit stream of serial data on its DT input. Data must be valid on the falling edge of  $\overline{\text{TCLK}}$ . The  $\overline{\text{TFS}}$  input provides the frame synchronization signal, which tells the AD7869 DAC that valid serial data will be available for the next 16 falling edges of  $\overline{\text{TCLK}}$ . Figure 8 shows the timing diagram for the serial data format.

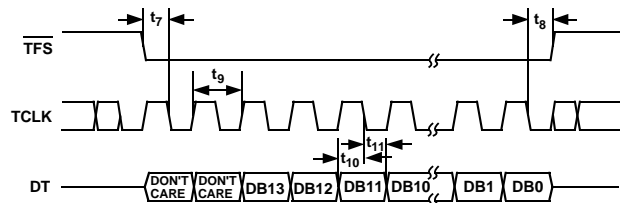


Figure 8. DAC Control Timing Diagram

Although 16 bits of data are clocked into the input latch, only 14 bits are transferred into the DAC latch. Therefore, two bits in the stream are don't cares since their value does not affect the DAC latch data. The bit positions are two don't cares, followed by the 14-bit DAC data starting with the MSB.

The  $\overline{\text{LDAC}}$  signal controls the transfer of data to the DAC latch. Normally, data is loaded to the DAC latch on the falling edge of  $\overline{\text{LDAC}}$ . However, if  $\overline{\text{LDAC}}$  is held low, then serial data is loaded to the DAC latch on the sixteenth falling edge of  $\overline{\text{TCLK}}$ . If  $\overline{\text{LDAC}}$  goes low during the loading of serial data to the input latch, no DAC latch update takes place on the falling edge of  $\overline{\text{LDAC}}$ . If  $\overline{\text{LDAC}}$  stays low until the serial transfer is completed, the update takes place on the sixteenth falling edge of  $\overline{\text{TCLK}}$ . If  $\overline{\text{LDAC}}$  returns high before the serial data transfer is completed, no DAC latch update takes place.



### AD7869 DYNAMIC SPECIFICATIONS

The AD7869 is specified and 100% tested for dynamic performance specifications as well as traditional dc specifications such as Integral and Differential Nonlinearity. These ac specifications are required for signal processing applications such as speech recognition, spectrum analysis and high speed modems. These applications require information on the converter's effect on the spectral content of the input signal. Hence, the parameters for which the AD7869 is specified include SNR, harmonic distortion and peak harmonics. These terms are discussed in more detail in the following sections.

#### Signal-to-Noise Ratio (SNR)

SNR is the measured signal-to-noise ratio at the output of the ADC or DAC. The signal is the rms magnitude of the fundamental. Noise is the rms sum of all the nonfundamental signals up to half the sampling frequency ( $f_{\text{SAMPLE}}/2$ ), excluding dc. SNR is dependent upon the number of levels used in the quantization process; the more levels, the smaller the quantization noise. The theoretical signal-to-noise ratio for a sine wave input is given by

$$\text{SNR} = (6.02N + 1.76) \text{ dB} \quad (1)$$

where  $N$  is the number of bits. Thus for an ideal 14-bit converter,  $\text{SNR} = 86 \text{ dB}$ .

#### Effective Number of Bits

The formula given in Equation (1) relates the SNR to the number of bits. Rewriting the formula, as in Equation (2), it is possible to obtain a measure of performance expressed in effective number of bits ( $N$ ).

$$N = \frac{\text{SNR} - 1.76}{6.02} \quad (2)$$

The effective number of bits for a device can be calculated directly from its measured SNR.

#### Harmonic Distortion

Harmonic Distortion is the ratio of the rms sum of harmonics to the fundamental. For the AD7869, total harmonic distortion (THD) is defined as:

$$\text{THD} = 20 \log \frac{\sqrt{V_2^2 + V_3^2 + V_4^2 + V_5^2 + V_6^2}}{V_1}$$

where  $V_1$  is the rms amplitude of the fundamental and  $V_2$ ,  $V_3$ ,  $V_4$ ,  $V_5$  and  $V_6$  are the rms amplitudes of the second through to the sixth harmonic. The THD is also derived from the FFT plot of the ADC or DAC output spectrum.

#### ADC Testing

The output spectrum from the ADC is evaluated by applying a sine wave signal of very low distortion to the  $V_{\text{IN}}$  input while reading multiple conversion results. A Fast Fourier Transform (FFT) plot is generated from which the SNR data can be obtained. Figure 9 shows a typical 2048 point FFT plot of the AD7869AQ ADC with an input signal of 10 kHz and a sampling frequency of 60 kHz. The SNR obtained from this graph is 80 dB. It should be noted that the harmonics are taken into account when calculating the SNR.

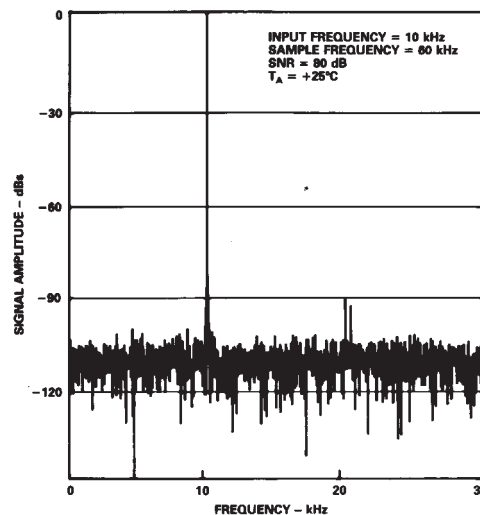


Figure 9. ADC FFT Plot

Figure 10 shows a typical plot of effective number of bits versus frequency for an AD7869AQ with a sampling frequency of 60 kHz. The effective number of bits typically falls between 12.7 and 13.1, corresponding to SNR figures of 79 dB and 80.4 dB.

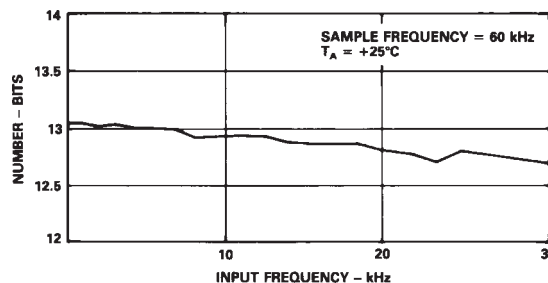


Figure 10. Effective Number of Bits vs. Frequency for the ADC

#### DAC Testing

A simplified diagram of the method used to test the dynamic performance specifications of the DAC is outlined in Figure 11. Data is loaded to the DAC under control of the microcontroller and associated logic. The output of the DAC is applied to a 9th order low pass filter whose cutoff frequency corresponds to the Nyquist limit. The output of the filter is, in turn, applied to a 16-bit accurate digitizer. This digitizes the signal and the microcontroller generates an FFT plot from which the dynamic performance of the DAC can be evaluated.

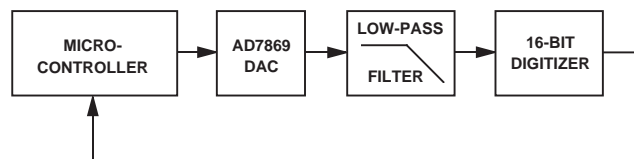


Figure 11. DAC Dynamic Performance Test Circuit

# AD7869

The digitizer sampling is synchronized with the DAC update rate to ease FFT calculations. The digitizer samples the DAC output after the output has settled to its new value. Therefore, if the digitizer were to directly sample the output, it would effectively be sampling a dc value each time. As a result, the dynamic performance of the DAC would not be measured correctly. Using the digitizer directly on the DAC output would give better results than the actual performance of the DAC. Using a filter between the DAC and the digitizer means that the digitizer samples a continuously moving signal, and the true dynamic performance of the AD7869 DAC output is measured.

Figure 12 shows a typical 2048 point Fast Fourier Transform plot for the AD7869 DAC with an update rate of 83 kHz and an output frequency of 1 kHz. The SNR obtained from the graph is 82 dBs.

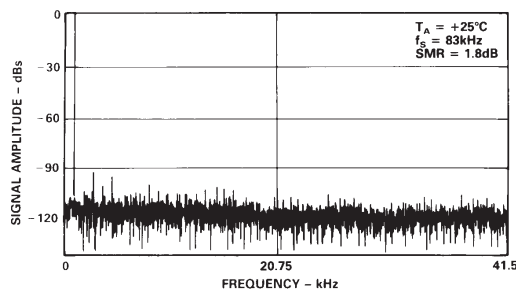


Figure 12. DAC FFT Plot

Some applications will require improved performance versus frequency from the AD7869 DAC. In these applications, a simple sample-and-hold circuit such as that outlined in Figure 13 will extend the very good performance of the DAC to 20 kHz. Other applications will already have an inherent sample-and-hold function following the AD7869 DAC output. An example of this type of application is driving a switched capacitor filter where the updating of the DAC is synchronized with the switched capacitor filter. This inherent sample-and-hold function also extends the frequency range performance.

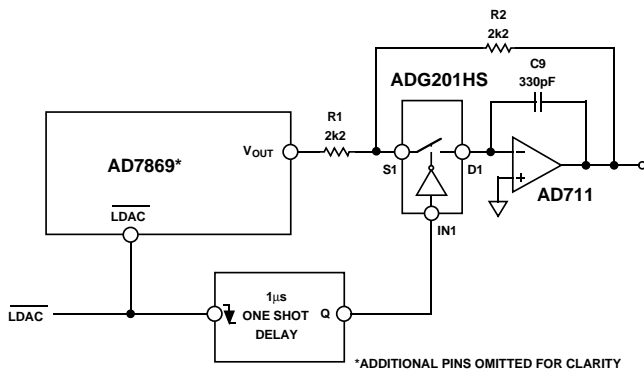


Figure 13. DAC Sample-and-Hold Circuit

## Performance versus Frequency

The typical performance plots of Figures 14 and 15 show the AD7869 DAC performance over a wide range of input frequencies at an update rate of 83 kHz. The plot of Figure 14 is without a sample-and-hold on the DAC output while the plot of Figure 15 is generated with a sample-and-hold on the output.

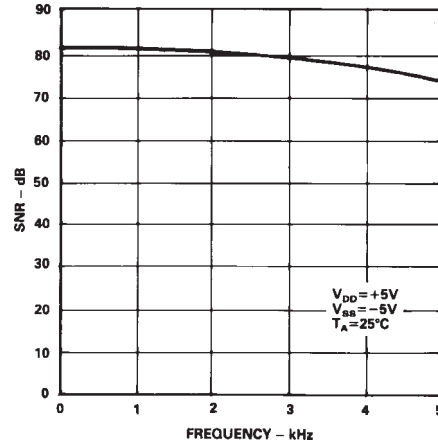


Figure 14. DAC Performance vs. Frequency (No Sample-and-Hold)

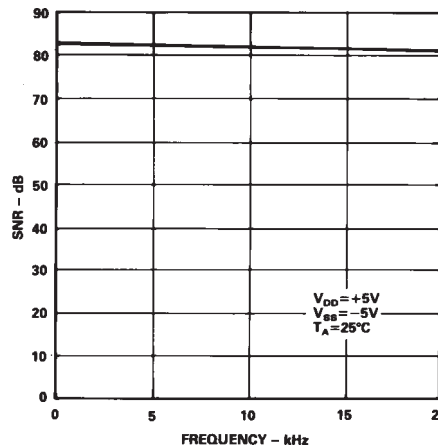


Figure 15. DAC Performance vs. Frequency (Sample-and-Hold)

## MICROPROCESSOR INTERFACING

Microprocessor interfacing to the AD7869 is via a serial bus that uses standard protocol compatible with DSP machines. The communication interface consists of separate transmit (DAC) and receive (ADC) sections whose operations can be either synchronous or asynchronous with respect to each other. Each section has a clock signal, a data signal and a frame or strobe pulse. Synchronous operation means that data is transmitted from the ADC and to the DAC at the same time. In this mode, only one interface clock is needed, and this has to be the ADC clock out; RCLK must be connected to TCLK. For asynchronous operation, DAC and ADC data transfers are independent of each other; the ADC provides the receive clock (RCLK) while the transmit clock (TCLK) may be provided by the processor or the ADC or some other external clock source.

Another option to be considered with serial interfacing is the use of a gated clock. A gated clock means that the device sending the data switches on the clock when data is ready to be transmitted and three states the clock output when transmission is complete. Only 16 clock pulses are transmitted with the first data bit being latched into the receiving device on the first falling clock edge. Ideally, there is no need for frame pulses, however the AD7869 DAC frame input (TFS) has to be driven high between data transmissions. The easiest method is to use RFS to drive  $\overline{TFS}$  and use only synchronous interfacing. This avoids the use of interconnects between the processor and AD7869 frame signals. Not all processors have a gated clock facility; Figure 16 shows an example with the DSP56000.

Table I below shows the number of interconnect lines between the processor and the AD7869 for the different interfacing options.

The AD7869 has the ability to use different clocks for transmitting and receiving data. This option, however, exists only on some processors and normally just one clock (ADC clock) is used for all communication with the AD7869. For simplicity, all the interface examples in this data sheet use synchronous interfacing and use the ADC clock (RCLK) as an input for the DAC clock (TCLK). For a better understanding of each of these interfaces, consult the relevant processor data sheet.

**Table I. Interconnect Lines for Different Interfacing Options**

Configuration	Number of Interconnects	Signals
Synchronous	4	RCLK, DR, DT and $\overline{RFS}$ (TCLK = RCLK, $\overline{TFS}$ = $\overline{RFS}$ )
Asynchronous*	5 or 6	RCLK, DR, $\overline{RFS}$ , DT, $\overline{TFS}$ (TCLK = RCLK or $\mu$ P serial CLK)
Synchronous Gated Clock	3	RCLK, DR and DT (TCLK = RCLK, $\overline{TFS}$ = $\overline{RFS}$ )

\*5 LINES OF INTERCONNECT WHEN TCLK = RCLK  
 6 LINES OF INTERCONNECT WHEN TCLK =  $\mu$ P SERIAL CLK

## AD7869-DSP56000 Interface

Figure 16 shows a typical interface between the AD7869 and DSP56000. The interface arrangement is synchronous with a gated clock requiring only three lines of interconnect. The DSP56000 internal serial control registers have to be configured for a 16-bit data word with valid data on the first falling clock edge. Conversion starts and DAC updating are controlled by an external timer. Data transfers, which occur during ADC conversions, are between the processor receive and transmit shift registers and the AD7869's ADC and DAC. At the end of each 16-bit transfer, the DSP56000 receives an internal interrupt indicating the transmit register is empty, and the receive register is full.

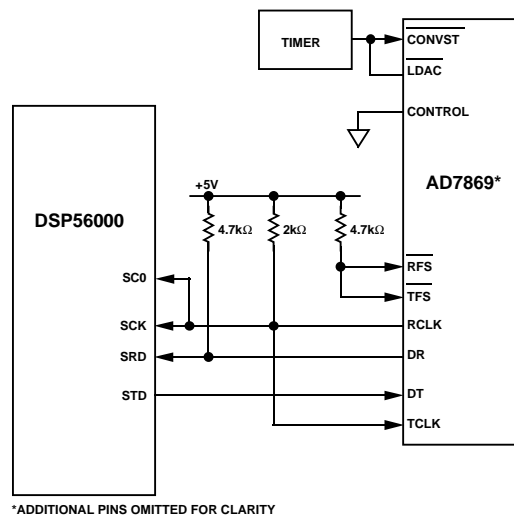


Figure 16. AD7869-DSP56000 Interface

## AD7869-ADSP-2101/2102 Interface

An interface that is suitable for the ADSP-2101 or the ADSP-2102 is shown in Figure 17. The interface is configured for synchronous, continuous clock operation. The  $\overline{LDAC}$  is tied low so the DAC gets updated on the sixteenth falling clock after  $\overline{TFS}$  goes low. Alternatively,  $\overline{LDAC}$  may be driven from a timer as shown in Figure 16. As with the previous interface, the processor receives an interrupt after reading or writing to the AD7869 and updates its own internal registers in preparation for the next data transfer.

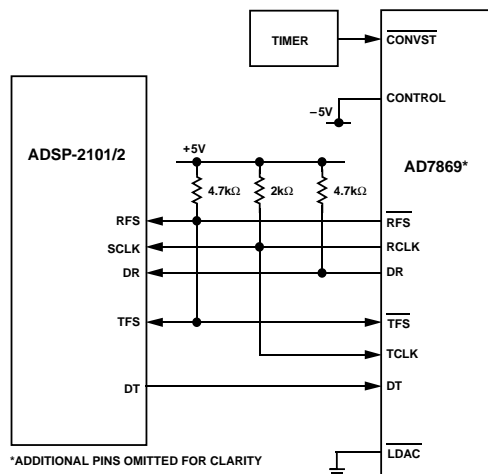


Figure 17. AD7869-ADSP-2101/ADSP-2102 Interface

# AD7869

## AD7869-TMS32020 Interface

Figure 18 shows an interface that is suitable for the TMS32020/TMS320C25 processors. This interface is configured for synchronous, continuous clock operation. Note the AD7869 will not correctly interface to these processors if the AD7869 is configured for a noncontinuous clock. Conversion starts and DAC updating are controlled by an external timer.

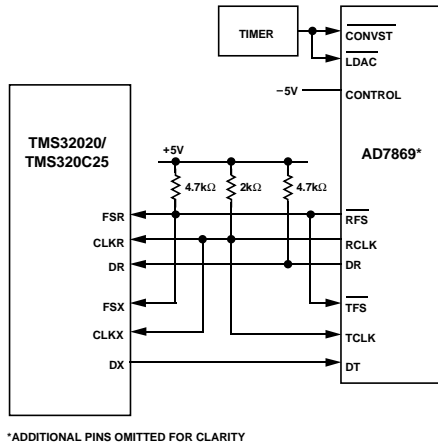


Figure 18. AD7869-TMS32020/TMS32025 Interface

## APPLICATION HINTS

Good printed circuit board (PCB) layout is as important as the circuit design itself in achieving high speed A/D performance. The AD7869's comparator is required to make bit decisions on an LSB size of 366  $\mu\text{V}$ . To achieve this, the designer has to be conscious of noise both in the ADC itself and in the preceding analog circuitry. Switching mode power supplies are not recommended as the switching spikes will feed through to the comparator causing noisy code transitions. Other causes of concern are ground loops and digital feedthrough from microprocessors. These are factors that influence any ADC, and a proper PCB layout that minimizes these effects is essential for best performance.

## LAYOUT HINTS

Ensure that the layout for the printed circuit board has the digital and analog signal lines separated as much as possible. Take care not to run any digital track alongside an analog signal track. Guard (screen) the analog input with AGND.

Establish a single point analog ground (star ground), separate from the logic system ground, as close as possible to the AD7869 AGND pins. Connect all other grounds and the AD7869 DGND to this single analog ground point. Do not connect any other digital grounds to this analog ground point.

Low impedance analog and digital power supply common returns are essential to low noise operation of the ADC, so make the foil width for these tracks as wide as possible. The use of ground planes minimizes impedance paths and also guards the analog circuitry from digital noise. The circuit layout of Figures 22 and 23 have both analog and digital ground planes that are kept separated and only joined together at the AD7869 AGND pins.

## NOISE

Keep the input signal leads to  $V_{\text{IN}}$  and signal return leads from AGND as short as possible to minimize input noise coupling. In applications where this is not possible, use a shielded cable be-

tween the source and the ADC. Reduce the ground circuit impedance as much as possible since any potential difference in grounds between the signal source and the ADC appears as an error voltage in series with the input signal.

## INPUT/OUTPUT BOARD

Figure 19 shows an analog I/O board based on the AD7869. The corresponding printed circuit (PC) board layout and silkscreen are shown in Figures 21 to 23.

The analog input to the AD7869 is buffered with an AD711 op amp. There is a component grid provided near the analog input on the PC board that may be used for an antialiasing filter for the ADC or a reconstruction filter for the DAC or any other conditioning circuitry. To facilitate this option, there are two wire links (labeled LK1 and LK2) required on the analog input and output tracks.

The board contains a SHA circuit that can be used on the output of the AD7869 DAC to extend the very good performance of the part over a wider frequency range. The increased performance from the SHA can be seen from Figures 14 and 15 of this data sheet. A wire link (labeled LK3) connects the board output to either the SHA output or directly to the AD7869 DAC output.

There are three  $\overline{\text{LDAC}}$  link options on the board;  $\overline{\text{LDAC}}$  can be driven from an external source independent of  $\overline{\text{CONVST}}$ ,  $\overline{\text{LDAC}}$  can be tied to  $\overline{\text{CONVST}}$  or  $\overline{\text{LDAC}}$  can be tied to GND. Choosing the latter option disables the SHA operation and places the SHA permanently in the track mode.

Microprocessor connections to the board are made by a 9-way D-type connector. The pinout is shown in Figure 20. The ADC's digital outputs are buffered with 74HC4050s. These buffers provide a higher current output capability for high capacitance loads or cables. Normally, these buffers are not required as the AD7869 will be sitting on the same board as the processor.

## POWER SUPPLY CONNECTIONS

The PC board requires two analog power supplies and one 5 V digital supply. Connections to the analog supply are made directly to the PC board as shown on the silkscreen in Figure 21. The connections are labeled  $V_{+}$  and  $V_{-}$ , and the range for both of these supplies is 12 V to 15 V. Connections to the 5 V digital supply are made through the D-type connector SKT6. The  $\pm 5$  V analog supply required by the AD7869 is generated from two voltage regulators on the  $V_{+}$  and  $V_{-}$  supplies.

## WIRE LINK OPTIONS

### LK1, Analog Input Link

LK1 connects the analog input to a component grid or to a buffer amplifier which drives the ADC input.

### LK2, Analog Output Link

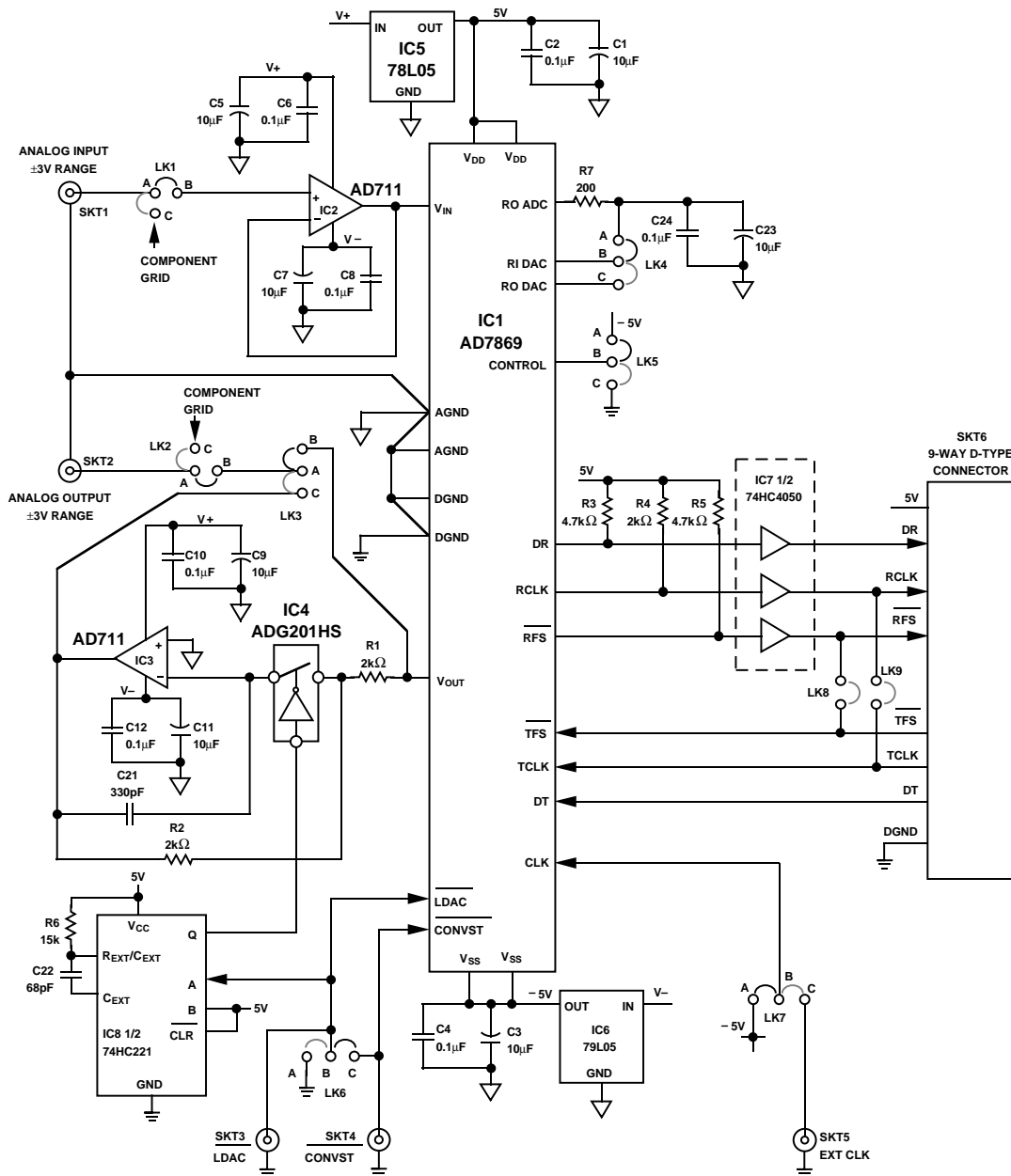
LK2 connects the analog output to the component grid or to either the SHA or DAC output (see LK3).

### LK3, SHA or DAC Select

The analog output may be taken directly from the DAC or from a SHA at the output of the DAC.

### LK4, DAC Reference Selection

The DAC reference may be connected to either the ADC reference output (RO ADC) or to the DAC reference (RO DAC).



**LK5, ADC Internal Clock Selection**

This link configures the ADC for continuous or noncontinuous internal clock operation.

**LK6, DAC Updating**

The DAC,  $\overline{\text{LDAC}}$  input may asserted independently of the ADC  $\overline{\text{CONVST}}$  signal or it may be tied to  $\overline{\text{CONVST}}$  or it may be tied to GND.

**LK7, ADC Clock Source**

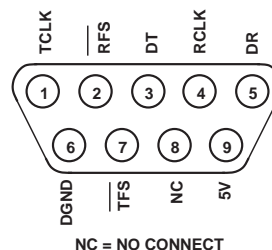
This link provides the option for the ADC to use its own internal clock oscillator or an external TTL compatible clock.

**LK8 Frame Synchronous Option**

LK8 provides the option of tying the ADC  $\overline{\text{RFS}}$  output to the DAC  $\overline{\text{TFS}}$  input.

**LK9 Transmit/Receive Clock Option**

LK9 provides the option to connect the ADC RCLK to the DAC TCLK.



# AD7869

## COMPONENT LIST

IC1	AD7869
IC2, IC3	2X AD711
IC4,	ADG201HS
IC5,	MC78L05
IC6,	MC79L05
IC7,	74HC4050
IC8,	74HC221
C1, C3, C5, C7	
C9, C11, C13, C15	10 $\mu$ F Capacitor
C17, C19, C23	
C2, C4, C6, C8	
C10, C12, C14, C16	0.1 $\mu$ F Capacitor
C18, C20, C24	

C21	330 pF Capacitor
C22	68 pF Capacitor
R1, R2, R4	2 k $\Omega$ Resistor
R3, R5	4.7 k $\Omega$ Resistor
R6	15 k $\Omega$ Resistor
R7	200 $\Omega$ Resistor
LK1, LK2, LK3, LK4, LK5, LK6, LK7, LK8, LK9	Shorting Plugs
SKT1, SKT2, SKT3, SKT4, SKT5	BNC Sockets
SKT6	9-Contact D-Type Connector

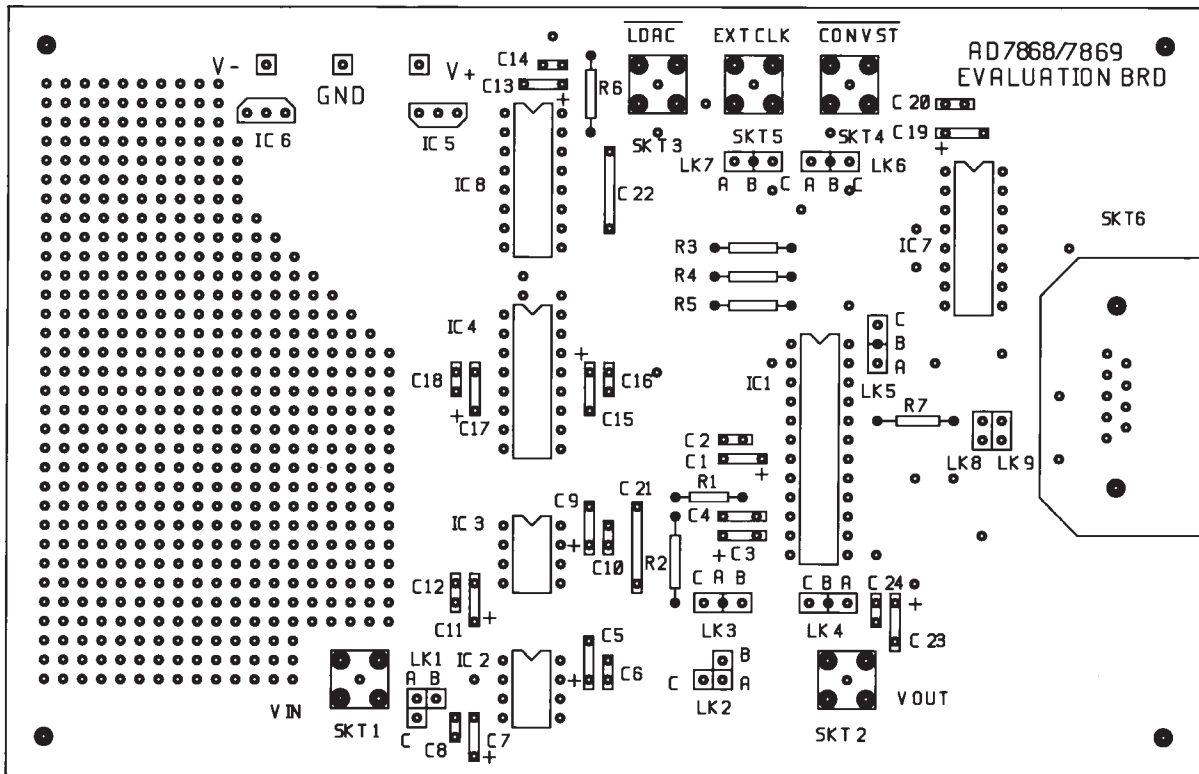


Figure 21. Silkscreen for the Circuit Diagram of Figure 19

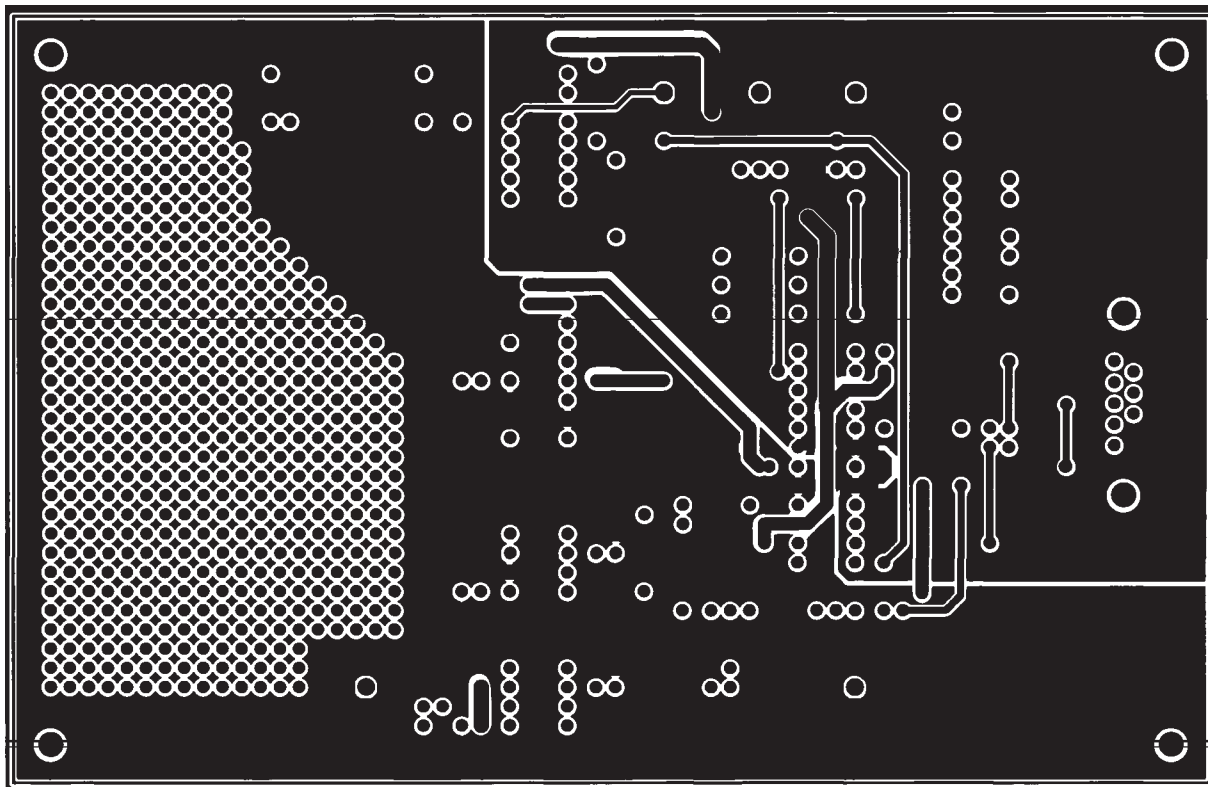


Figure 22. Component Side Layout for the Circuit Diagram of Figure 19

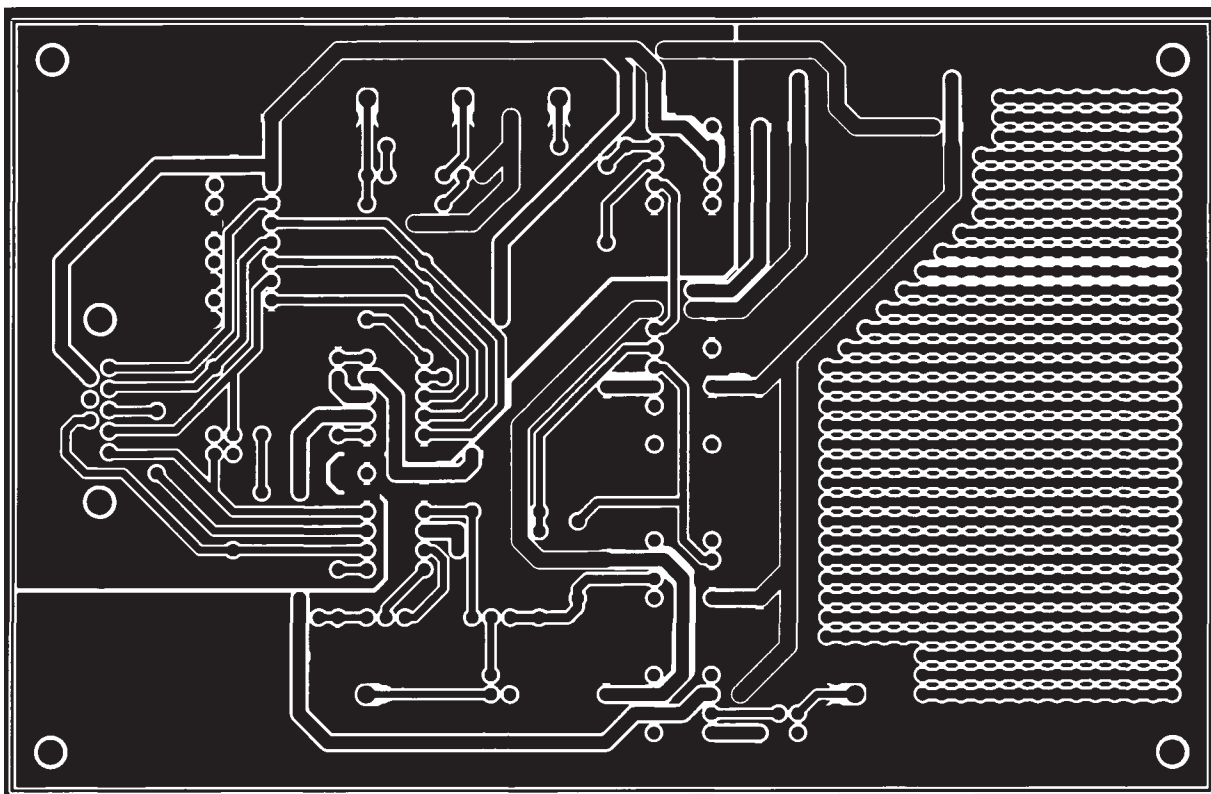
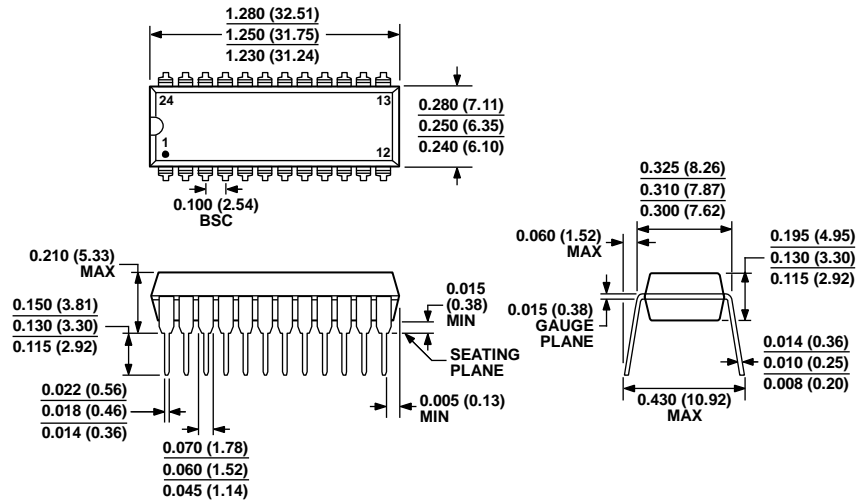


Figure 23. Solder Side Layout for the Circuit Diagram of Figure 19

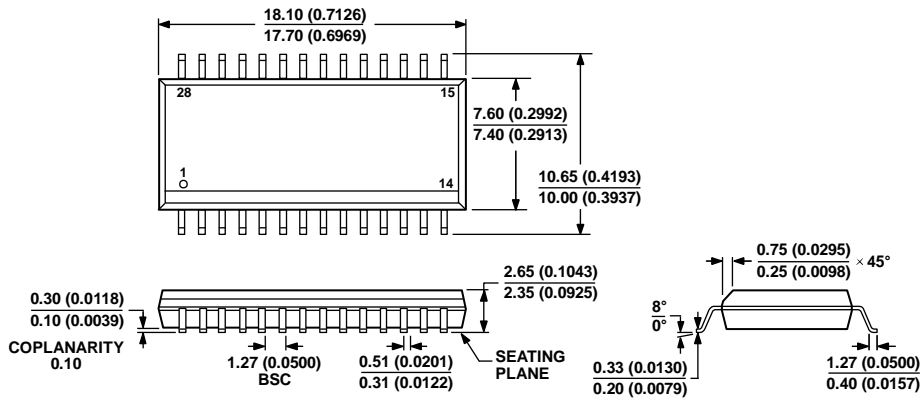
Outline Dimensions



COMPLIANT TO JEDEC STANDARDS MS-001  
 CONTROLLING DIMENSIONS ARE IN INCHES; MILLIMETER DIMENSIONS (IN PARENTHESES) ARE ROUNDED-OFF INCH EQUIVALENTS FOR REFERENCE ONLY AND ARE NOT APPROPRIATE FOR USE IN DESIGN. CORNER LEADS MAY BE CONFIGURED AS WHOLE OR HALF LEADS.

Figure 24. 24-Lead Plastic Dual In-Line Package [PDIP] Narrow Body (N-24-1)

07106E-A



COMPLIANT TO JEDEC STANDARDS MS-013-AE  
 CONTROLLING DIMENSIONS ARE IN MILLIMETERS; INCH DIMENSIONS (IN PARENTHESES) ARE ROUNDED-OFF MILLIMETER EQUIVALENTS FOR REFERENCE ONLY AND ARE NOT APPROPRIATE FOR USE IN DESIGN.

Figure 25. 28-Lead Standard Small Outline Package [SOIC\_W] Wide Body (RW-28)

080706-A

ORDERING GUIDE

Model <sup>1</sup>	Temperature Range	Signal-to-Noise Ratio (SNR)	Relative Accuracy	Package Description	Package Option
AD7869JNZ	0°C to +70°C	78 dB	±2 LSB max	24-Lead PDIP	N-24-1
AD7869JRZ	0°C to +70°C	78 dB	±2 LSB max	28-Lead SOIC_W	RW-28

<sup>1</sup> Z = RoHS Compliant Part.

REVISION HISTORY

10/10—Rev. A to Rev. B

Added SOIC Pin Configuration.....5





## Стандарт Электрон Связь

Мы молодая и активно развивающаяся компания в области поставок электронных компонентов. Мы поставляем электронные компоненты отечественного и импортного производства напрямую от производителей и с крупнейших складов мира.

Благодаря сотрудничеству с мировыми поставщиками мы осуществляем комплексные и плановые поставки широчайшего спектра электронных компонентов.

Собственная эффективная логистика и склад в обеспечивает надежную поставку продукции в точно указанные сроки по всей России.

Мы осуществляем техническую поддержку нашим клиентам и предпродажную проверку качества продукции. На все поставляемые продукты мы предоставляем гарантию .

Осуществляем поставки продукции под контролем ВП МО РФ на предприятия военно-промышленного комплекса России , а также работаем в рамках 275 ФЗ с открытием отдельных счетов в уполномоченном банке. Система менеджмента качества компании соответствует требованиям ГОСТ ISO 9001.

Минимальные сроки поставки, гибкие цены, неограниченный ассортимент и индивидуальный подход к клиентам являются основой для выстраивания долгосрочного и эффективного сотрудничества с предприятиями радиоэлектронной промышленности, предприятиями ВПК и научно-исследовательскими институтами России.

С нами вы становитесь еще успешнее!

### Наши контакты:

**Телефон:** +7 812 627 14 35

**Электронная почта:** [sales@st-electron.ru](mailto:sales@st-electron.ru)

**Адрес:** 198099, Санкт-Петербург,  
Промышленная ул, дом № 19, литера Н,  
помещение 100-Н Офис 331