

DESCRIPTION

Demonstration circuit 1309 features the LT3474-1 36V step-down 1A LED driver. The demonstration circuit is designed to drive a string of 1A LEDs from a high input voltage. The high switching frequency scheme permits the use of small inductors and ceramic capacitors to save space and cost. The current mode control scheme provides fast transient response and cycle-by-cycle current limiting. Frequency foldback and thermal shutdown provide additional protection. The external clamp provides open LED protection. The LT3474-1 can be dimmed with an analog CTRL pin or with a PWM dimming input. The typical efficiency of the LT3474-1 DC1309 is 90.4% with 32VIN and an 8-LED string of 23V driven at 1A.

A few simple modifications can be made to DC1309 in order to add PWM dimming to the circuit. The LED string cathode can be connected to LED- and one of the PWM dimming MOSFETs can be stuffed in Q1 or Q2 location for the PWM dimming function. Without PWM dimming, the cathode of the LED string should be connected to GND as shown in the setup drawing below.

The overvoltage protection clamp level is set to about 24V on DC1309A. The level of the clamp can be changed by replacing the zener diode (D4) with a different zener diode.

The LT3474-1 differs from the LT3474 in the output voltage capabilities. The LT3474 has a 13V clamp that does not allow the use of an LED string of greater than 13V on the output. However, LT3474-1 does not have this clamp and it can power LEDs up to 26V as long as the external clamp is adjusted correctly. High output power can result in excessive heating of the IC. Please read the datasheet for thermal details.

The LT3474-1 datasheet gives a complete description of the part, operation and applications information. The datasheet must be read in conjunction with this Quick Start Guide for DC1309. The LT3474-1 is assembled in a 16-lead plastic TSSOP FE package with a thermally enhanced ground pad. Proper board layout is essential for maximum thermal performance. See the datasheet section 'Layout Hints'.

Design files for this circuit board are available. Call the LTC factory.

LT is a registered trademark of Linear Technology Corporation

QUICK START PROCEDURE

DC1309 is easily set up for evaluating the LT3474-1 step-down 1A LED driver circuit. Follow the test procedure outlined below and see Figure1.

1. Setup DC1309 as shown in Figure 1 with hand-held multimeters, a high-voltage LED string, and a bench supply (power turned off) with voltage greater than the LED string and less than 36V.
2. Turn on the bench power supply and observe a constant 1A through the string of LEDs and high efficiency operation.
3. Use the /SHDN terminal to turn the LEDs on and off by respectively floating or ground the terminal.

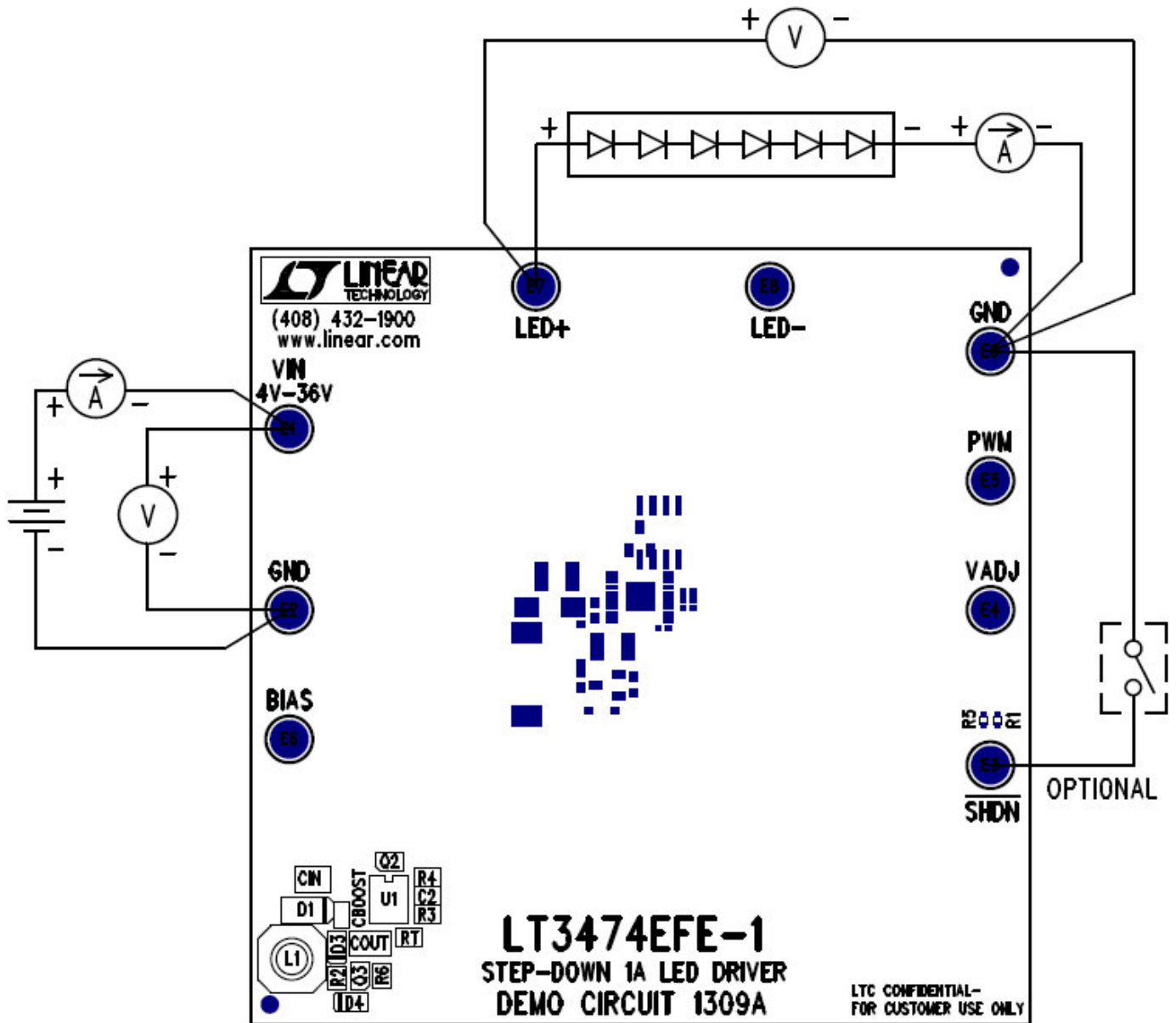
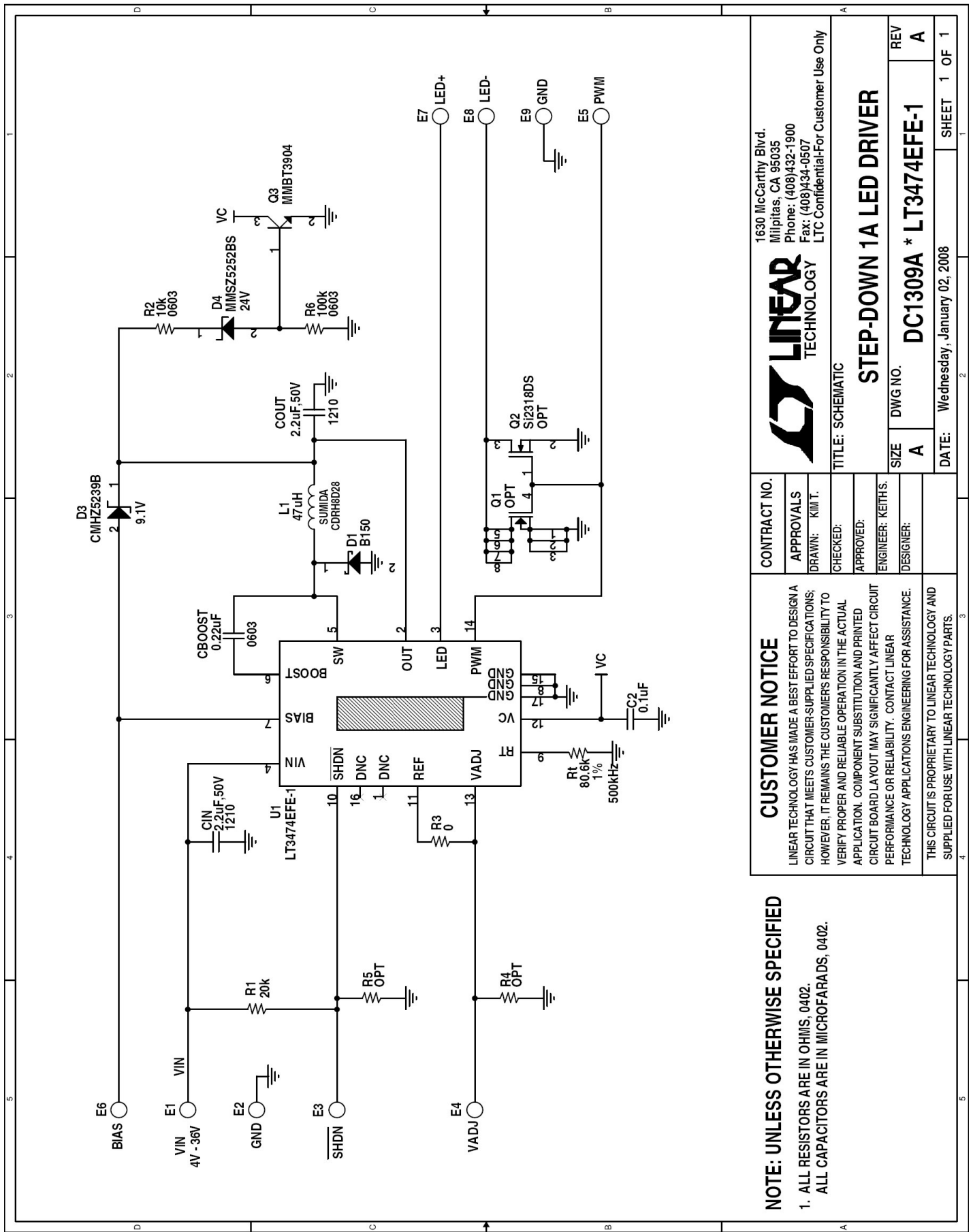


Figure 1. Proper Measurement Equipment Setup

QUICK START GUIDE FOR DEMONSTRATION CIRCUIT 1309

STEP-DOWN 1A LED DRIVER



NOTE: UNLESS OTHERWISE SPECIFIED

1. ALL RESISTORS ARE IN OHMS, 0402.
ALL CAPACITORS ARE IN MICROFARADS, 0402.

CUSTOMER NOTICE

LINEAR TECHNOLOGY HAS MADE A BEST EFFORT TO DESIGN A CIRCUIT THAT MEETS CUSTOMER-SUPPLIED SPECIFICATIONS; HOWEVER, IT REMAINS THE CUSTOMER'S RESPONSIBILITY TO VERIFY PROPER AND RELIABLE OPERATION IN THE ACTUAL APPLICATION. COMPONENT SUBSTITUTION AND PRINTED CIRCUIT BOARD LAYOUT MAY SIGNIFICANTLY AFFECT CIRCUIT PERFORMANCE OR RELIABILITY. CONTACT LINEAR TECHNOLOGY APPLICATIONS ENGINEERING FOR ASSISTANCE.

THIS CIRCUIT IS PROPRIETARY TO LINEAR TECHNOLOGY AND SUPPLIED FOR USE WITH LINEAR TECHNOLOGY PARTS.

CONTRACT NO.

APPROVALS
DRAWN: KIM T.

CHECKED:

APPROVED:

ENGINEER: KEITH S.

DESIGNER:

1630 McCarthy Blvd.
Milpitas, CA 95035
Phone: (408)432-1900
Fax: (408)434-0507
LTC Confidential-For Customer Use Only



TITLE: SCHEMATIC

STEP-DOWN 1A LED DRIVER

SIZE DWG NO. DC1309A * LT3474EFE-1

REV A

DATE: Wednesday, January 02, 2008

SHEET 1 OF 1



**Стандарт
Электрон
Связь**

Мы молодая и активно развивающаяся компания в области поставок электронных компонентов. Мы поставляем электронные компоненты отечественного и импортного производства напрямую от производителей и с крупнейших складов мира.

Благодаря сотрудничеству с мировыми поставщиками мы осуществляем комплексные и плановые поставки широчайшего спектра электронных компонентов.

Собственная эффективная логистика и склад в обеспечивает надежную поставку продукции в точно указанные сроки по всей России.

Мы осуществляем техническую поддержку нашим клиентам и предпродажную проверку качества продукции. На все поставляемые продукты мы предоставляем гарантию .

Осуществляем поставки продукции под контролем ВП МО РФ на предприятия военно-промышленного комплекса России , а также работаем в рамках 275 ФЗ с открытием отдельных счетов в уполномоченном банке. Система менеджмента качества компании соответствует требованиям ГОСТ ISO 9001.

Минимальные сроки поставки, гибкие цены, неограниченный ассортимент и индивидуальный подход к клиентам являются основой для выстраивания долгосрочного и эффективного сотрудничества с предприятиями радиоэлектронной промышленности, предприятиями ВПК и научно-исследовательскими институтами России.

С нами вы становитесь еще успешнее!

Наши контакты:

Телефон: +7 812 627 14 35

Электронная почта: sales@st-electron.ru

Адрес: 198099, Санкт-Петербург,
Промышленная ул, дом № 19, литера Н,
помещение 100-Н Офис 331