



# Intel® Solid-State Drive Pro 2500 Series (M.2)

## Product Specification

- Capacities: 180GB, 240GB, 360GB
- Form Factors:
  - 80mm (single-sided) 2280-S2-B-M (180GB) and (double-sided) 2280-D2-B-M (240GB and 360GB)
  - 60mm (double-sided) 2260-D2-B-M (180GB and 240GB)
- Thickness: up to 3.58 mm
- Weight: <10 grams
- SATA 6Gb/s Bandwidth Performance<sup>1</sup> (IOMeter\* Queue Depth 32)
  - Sustained Sequential Read: up to 540MB/s
  - Sustained Sequential Write: up to 490MB/s
- Read and Write IOPS<sup>1</sup> (IOMeter Queue Depth 32)
  - Random 4KB Reads: up to 45,000 IOPS
  - Random 4KB Writes: up to 80,000 IOPS<sup>2</sup>
- Data Compression
- Intel® Stable Image Platform Program (SIPP)
- Security and Manageability Compatibility
  - Intel® Core® vPro® Processor
  - Intel® Setup and Configuration Software (Intel® SCS)
  - AES 256-bit Encryption
  - Trusted Computing Group\* (TCG\*) Opal Security Subsystem Class (SSC) Specification Version 2.0 features
  - Windows eDrive\*
- Additional Compatibility
  - Intel® SSD Toolbox with Intel® SSD Optimizer
  - Intel® Data Migration Software
  - Intel® Rapid Storage Technology
  - SATA Revision 3.2
  - ACS-3 (ATA/ATAPI Command Set 3)
  - SSD Enhanced SMART ATA feature set
  - Intel® Dynamic Platform Thermal Framework (Intel® DPTF)
- End-to-End Data Protection
- Power Management
  - 3.3 V SATA Supply Rail
  - SATA Link Power Management (LPM)
  - Advanced Power Management (APM)
  - Device Sleep (DevSleep)
- Power
  - Active (BAPCo MobileMark\* 2007 Workload): 140 mW
  - Idle<sup>3</sup>: 55 mW
  - DevSleep: 200 µW
- Temperature
  - Operating<sup>4</sup>: 0° C to 70° C
  - Non-Operating: -55° C to 95° C
- Reliability
  - Uncorrectable Bit Error Rate (UBER): <1 sector per 10<sup>16</sup> bits read
  - Mean Time Between Failure (MTBF): 1.2 million hours
  - Shock (operating and non-operating): 1,000 G/0.5 ms
- Vibration
  - Operating: 2.17 G<sub>RMS</sub> (5-700Hz)
  - Non-operating: 3.13 G<sub>RMS</sub> (5-800Hz)
- Certifications and Declarations:
  - UL\*
  - CE\*
  - C-Tick\*
  - BSMI\*
  - KCC\*
  - Microsoft\* WHCK
  - VCCI\*
  - SATA-IO\*
- Product Ecological Compliance
  - RoHS\*

### NOTES:

1. Performance values vary by capacity.
2. Random 4KB writes measured using out-of-box SSD.
3. Non-DevSleep idle power with SATA Link Power Management (LPM) enabled.
4. As measured by temperature sensor, SMART Attribute BEh. Active airflow is recommended within the system for maintaining proper device operating temperatures on heavier workloads.



## Ordering Information

Contact your local Intel sales representative for ordering information.

INFORMATION IN THIS DOCUMENT IS PROVIDED IN CONNECTION WITH INTEL PRODUCTS. NO LICENSE, EXPRESS OR IMPLIED, BY ESTOPPEL OR OTHERWISE, TO ANY INTELLECTUAL PROPERTY RIGHTS IS GRANTED BY THIS DOCUMENT. EXCEPT AS PROVIDED IN INTEL'S TERMS AND CONDITIONS OF SALE FOR SUCH PRODUCTS, INTEL ASSUMES NO LIABILITY WHATSOEVER AND INTEL DISCLAIMS ANY EXPRESS OR IMPLIED WARRANTY, RELATING TO SALE AND/OR USE OF INTEL PRODUCTS INCLUDING LIABILITY OR WARRANTIES RELATING TO FITNESS FOR A PARTICULAR PURPOSE, MERCHANTABILITY, OR INFRINGEMENT OF ANY PATENT, COPYRIGHT OR OTHER INTELLECTUAL PROPERTY RIGHT.

A "Mission Critical Application" is any application in which failure of the Intel Product could result, directly or indirectly, in personal injury or death. SHOULD YOU PURCHASE OR USE INTEL'S PRODUCTS FOR ANY SUCH MISSION CRITICAL APPLICATION, YOU SHALL INDEMNIFY AND HOLD INTEL AND ITS SUBSIDIARIES, SUBCONTRACTORS AND AFFILIATES, AND THE DIRECTORS, OFFICERS, AND EMPLOYEES OF EACH, HARMLESS AGAINST ALL CLAIMS COSTS, DAMAGES, AND EXPENSES AND REASONABLE ATTORNEYS' FEES ARISING OUT OF, DIRECTLY OR INDIRECTLY, ANY CLAIM OF PRODUCT LIABILITY, PERSONAL INJURY, OR DEATH ARISING IN ANY WAY OUT OF SUCH MISSION CRITICAL APPLICATION, WHETHER OR NOT INTEL OR ITS SUBCONTRACTOR WAS NEGLIGENT IN THE DESIGN, MANUFACTURE, OR WARNING OF THE INTEL PRODUCT OR ANY OF ITS PARTS.

Intel may make changes to specifications and product descriptions at any time, without notice. Designers must not rely on the absence or characteristics of any features or instructions marked "reserved" or "undefined." Intel reserves these for future definition and shall have no responsibility whatsoever for conflicts or incompatibilities arising from future changes to them. The information here is subject to change without notice. Do not finalize a design with this information.

The products described in this document may contain design defects or errors known as errata which may cause the product to deviate from published specifications. Current characterized errata are available on request.

Contact your local Intel sales office or your distributor to obtain the latest specifications and before placing your product order.

Copies of documents which have an order number and are referenced in this document, or other Intel literature, may be obtained by calling 1-800-548-4725, or go to: <http://www.intel.com/design/literature.html>

Low Halogen applies only to brominated and chlorinated flame retardants (BFRs/CFRs) and PVC in the final product. Intel components as well as purchased components on the finished assembly meet JS-709 requirements, and the PCB/substrate meet IEC 61249-2-21 requirements. The replacement of halogenated flame retardants and/or PVC may not be better for the environment.

No computer system can provide absolute security under all conditions. Built-in security features available on select Intel® Solid State Drives may require additional software, hardware, services and/or an Internet connection. Software and workloads used in performance tests may have been optimized for performance only on Intel microprocessors. Performance tests are measured using specific computer systems, components, software, operations and functions. Any change to any of those factors may cause the results to vary. You should consult other information and performance tests to assist you in fully evaluating your contemplated purchases, including the performance of that product when combined with other products. Consult your system manufacturer for more details.

Intel and the Intel logo are trademarks of Intel Corporation in the U.S. and other countries.

\*Other names and brands may be claimed as the property of others.

Copyright © 2014 Intel Corporation. All rights reserved.



# Contents

---

<b>1</b>	<b>Introduction .....</b>	<b>5</b>
1.1	Revision History .....	6
1.2	Terminology .....	6
1.3	Reference Documents.....	7
<b>2</b>	<b>Product Specifications .....</b>	<b>8</b>
2.1	Capacity.....	8
2.2	Performance .....	8
2.3	Electrical Characteristics .....	9
2.4	Environmental Conditions.....	10
	2.4.1 Temperature, Shock, Vibration .....	10
	2.4.2 Altitude.....	10
2.5	Product Regulatory Compliance .....	11
2.6	Reliability .....	12
<b>3</b>	<b>Mechanical Information.....</b>	<b>13</b>
<b>4</b>	<b>Pin and Signal Descriptions .....</b>	<b>16</b>
4.1	Pin Locations .....	16
4.2	Signal Descriptions .....	17
4.3	Device Sleep Feature .....	18
<b>5</b>	<b>Supported Command and Feature Sets .....</b>	<b>19</b>
5.1	Supported ATA General Feature Command Set.....	19
5.2	Advanced Power Management (APM) .....	21
5.3	Security .....	22
	5.3.1 Sanitization Methods .....	22
	5.3.2 TCG Opal SSC Support .....	22
	5.3.3 Windows eDrive* .....	23
5.4	Device Statistics .....	23
5.5	Software Settings Preservation.....	24
5.6	DevSleep .....	24
5.7	SMART Command Transport .....	25
5.8	SMART Attributes .....	25
5.9	SMART Logs.....	28
<b>6</b>	<b>Certifications and Declarations .....</b>	<b>29</b>
<b>7</b>	<b>Appendix.....</b>	<b>30</b>
7.1	Identify Device.....	30
7.2	Models .....	34



## Tables

Table 1:	Terminology.....	6
Table 2:	Standard References.....	7
Table 3:	User Addressable Sectors .....	8
Table 4:	Compressible Performance .....	8
Table 5:	Incompressible Performance.....	8
Table 6:	Latency .....	9
Table 7:	Operating Voltage and Power Consumption.....	9
Table 8:	Temperature, Shock, Vibration .....	10
Table 9:	Product Regulatory Compliance Specifications.....	11
Table 10:	Reliability Specifications .....	12
Table 11:	M.2 Serial ATA Power Pin Definitions .....	17
Table 12:	Supported ATA Commands and Feature Sets.....	19
Table 13:	APM Subcommand Codes for Power Management and Definitions.....	21
Table 14:	APM Subcommand Codes for Thermal Power Management and Definitions.....	22
Table 15:	Supported Secure Erase Modes and Definitions .....	22
Table 16:	Supported Sanitize Device Modes and Definitions .....	22
Table 17:	ID Device Changes with Opal Activation.....	23
Table 18:	Device Statistics Log .....	23
Table 19:	Preserved Software Settings.....	24
Table 20:	DevSleep Control Parameters .....	25
Table 21:	SMART Attributes .....	25
Table 22:	SMART Attribute Status Flags .....	28
Table 23:	Device Certifications and Declarations.....	29
Table 24:	Identify Device Returned Sector Data.....	30
Table 25:	Available Models.....	34

## Figures

Figure 1:	Dimensions for 80 mm single-sided M.2 Form Factor Drives (2280-S2-B-M) 180GB.....	13
Figure 2:	Dimensions for 80 mm double-sided M.2 Form Factor Drives (2280-D2-B-M) 240GB and 360GB.....	14
Figure 3:	Dimensions for 60 mm double-sided M.2 Form Factor Drives (2260-D2-B-M) 180GB.....	15
Figure 4:	Layout of Signal and Power Segment Pins.....	16



# 1 Introduction

---

This document describes the specifications and capabilities of the Intel® Solid-State Drive Pro 2500 Series (Intel® SSD Pro 2500 Series).

The Intel SSD Pro 2500 Series delivers the next generation of Professional storage solution with enhanced security and manageability features, power-efficient performance, and lower total cost of ownership. The latest generation of the Intel® SSD Professional Family supports Trusted Computing Group\* (TCG\*) Opal version 2.0 features and is Microsoft eDrive\* capable, although "off" is the eDrive factory default out-of-box setting. In addition, Intel's proven reliability and low power consumption provide an enhanced mobile experience.

Intel SSD Pro 2500 Series also offers the following additional key features:

- **Security and Manageability Features**

Intel SSD Pro 2500 Series is a hardware-based self-encrypting drive (SED) enhanced with Opal 2.0\* security features. The TCG Opal specification describes a secure boot capability (pre-boot authentication), protection for user data, and administrative capabilities, improving security of critical data at rest. Manageability options are expanded when the Intel SSD Pro 2500 Series is coupled with the latest Intel® Core™ vPro™ processor systems and software such as Intel® Set-up & Configuration Service (Intel® SCS) with the Intel® SSD Pro Plug-in. Offering unique manageability options, IT Administrators can proactively manage the Intel® Solid-State Drive Professional Family and reduce deployment costs while keeping their PCs running smoothly.

- **Quality and Reliability Capabilities**

Quality and reliability are the cornerstones of Intel® SSD Products and the Intel SSD Pro 2500 is no different. Limiting employee down-time is critical; the reliability of the Intel SSD Pro 2500 Series is key for Low Total Cost of Ownership (TCO).

- **Power-Efficient Performance**

The new advanced low power modes enable longer battery life and greater mobility. In addition, the Intel SSD Pro 2500 Series provides higher performance throughput for the most demanding workloads.

- **Stability**

Intel SSD Pro 2500 Series is part of the Intel® Stable Image Platform Program (Intel® SIPP). Intel SIPP aligns key Intel platform components, enabling a predictable transition from one technology generation to the next with minimal compatibility issues. Enhancing software and hardware stability, Intel SIPP aligns with key Intel platform components and drivers and is currently available for at least 15 months post platform Intel SIPP availability.

- **Tools**

Intel SSD Pro 2500 Series is aligned with the latest version of the Intel® SSD Toolbox for consumers and the Intel® SSD Pro Administrator Tool for business and IT professionals. Intel tools provide key capabilities to maximize your Intel SSD experience. (Visit [www.intel.com/ssd](http://www.intel.com/ssd) to access the Tools panel for download.)



## 1.1 Revision History

Revision Number	Description	Revision Date
001	Initial release	July 2014
002	Corrections to Temperature and Notes following Table 8.	October 2014

## 1.2 Terminology

Table 1: Terminology

Term	Description
AHCI*	Advanced Host Controller Interface
APM	Advanced Power Management
ATA	Advanced Technology Attachment
DAS	Device Activity Signal
DevSleep	Device Sleep
DIPM	Device Initiated Power Management
DMA	Direct Memory Access
DPTF	Dynamic Platform Thermal Framework
eDrive	Microsoft* specification for a drive that complies to the TCG Opal 2.0 and IEEE 1667* standards
EXT	Extended
FPDMA	First Party Direct Memory Access
GB	Gigabyte (1,000,000,000 bytes) Note: The total usable capacity of the SSD may be less than the total physical capacity because a small portion of the capacity is used for NAND flash management and maintenance purposes.
HDD	Hard Disk Drive
HIPM	Host Initiated Power Management
I/O	Input/Output
IOPS	Input/Output Operations Per Second
KB	Kilobyte (1,024 bytes)
LBA	Logical Block Address
Locking SP	Locking Security Provider
LPM	Link Power Management
MB	Megabyte (1,000,000 bytes)
MLC	Multi-level Cell
MTBF	Mean Time Between Failures
NCQ	Native Command Queuing
NOP	No Operation



Term	Description
Opal	A Trusted Computing Group (TCG) standard that defines an interface for managing a Self-Encrypting Drive (SED).
PIO	Programmed Input/Output
PSID	Physical presence Security ID
RDT	Reliability Demonstration Test
RMS	Root Mean Squared
SATA	Serial Advanced Technology Attachment
SED	Self-Encrypting Drive
SMART	Self-Monitoring, Analysis and Reporting Technology
SSD	Solid-State Drive
TCG	Trusted Computing Group
TYP	Typical
UBER	Uncorrectable Bit Error Rate

### 1.3 Reference Documents

Table 2: Standard References

Date or Rev. #	Title	Location
Sept 2008	IEC 55022 Information Technology Equipment — Radio disturbance Characteristics— Limits and methods of measurement CISPR22:2008 (Modified)	<a href="http://www.iec.ch/">http://www.iec.ch/</a>
Dec 2008	VCCI	<a href="http://www.vcci.jp/vcci_e/">http://www.vcci.jp/vcci_e/</a>
June 2009	RoHS	<a href="http://qdms.intel.com/">http://qdms.intel.com/</a> Click <i>Search MDDS Database</i> and search for material description datasheet
August 2010	IEC 55024 Information Technology Equipment — Immunity characteristics— Limits and methods of measurement CISPR24:2010	<a href="http://www.iec.ch/">http://www.iec.ch/</a>
Sept 2010	Solid-State Drive (SSD) Requirements and Endurance Test Method (JESD218)	<a href="http://www.jedec.org/standards-documents/docs/jesd218/">http://www.jedec.org/standards-documents/docs/jesd218/</a>
February 2012	TCG Opal Specification Version 2.0 rev 1.0	<a href="http://www.trustedcomputinggroup.com/">http://www.trustedcomputinggroup.com/</a>
August 2013	Serial ATA Revision 3.2	<a href="http://www.sata-io.org/">http://www.sata-io.org/</a>
October 2013	ACS-3 Specification	<a href="http://www.t13.org/">http://www.t13.org/</a>



## 2 Product Specifications

### 2.1 Capacity

Table 3: User Addressable Sectors

Capacity	Unformatted Capacity (Total User Addressable Sectors in LBA mode)
180GB	351,651,888
240GB	468,862,128
360GB	703,282,608

### 2.2 Performance

Table 4: Compressible Performance

Type	Capacity	Specification				
		Random 4KB Read (up to) <sup>1</sup>	Random 4KB Write (up to) <sup>2</sup>	Random 4KB Write (TYP) <sup>1</sup>	Sequential 128KB Read <sup>1</sup>	Sequential 128KB Write <sup>1</sup>
		IOPS	IOPS	IOPS	MB/s	MB/s
2280	180GB	41,000	80,000	49,000	540	490
	240GB	41,000	80,000	49,000	540	490
	360GB	45,000	33,000	28,500	540	490
2260	180GB	41,000	80,000	49,000	540	490
	240GB	41,000	80,000	49,000	540	490

**Note:**

1. Performance measured using IOMeter \* with Queue Depth 32. Measurements are performed on 8 GB of Logical Block Address (LBA) range on a full SSD.
2. Random 4 KB writes measured using out-of-box SSD.

Table 5: Incompressible Performance

Type	Capacity	Specification			
		Random 4KB Read (up to) <sup>1</sup>	Random 4KB Write (up to) <sup>1</sup>	Sequential 128KB Read <sup>1</sup>	Sequential 128KB Write <sup>1</sup>
		IOPS	IOPS	MB/s	MB/s
2280	180GB	37,500	17,000	455	165
	240GB	37,500	23,000	510	225
	360GB	37,500	10,000	525	230
2260	180GB	37,500	17,000	540	165
	240GB	37,500	23,000	510	225

**Note:**

1. Performance measured using IOMeter \* with Queue Depth 32





**Table 6: Latency**

Specification	Intel® SSD Pro 2500 Series Type 2280			Type 2260	
	180GB	240GB	360GB	180GB	240GB
Read <sup>1</sup>	80 μs (TYP)				
Write <sup>1</sup>	85 μs (TYP)				
Power On To Ready <sup>2</sup>	500 ms (TYP)				
Max Power On To Ready <sup>3</sup>	<10 s				

**Note:**

1. Based on sequential 4KB using IOMeter with Queue Depth 1 workload with compressible (non-random) data pattern. Write Cache enabled.
2. Power On To Ready time assumes safe shutdown
3. Max Power On To Ready time assumes unsafe shutdown. Based on statistical measurement of 95% quality of service.

## 2.3 Electrical Characteristics

**Table 7: Operating Voltage and Power Consumption**

Electrical Characteristics	Intel® SSD Pro 2500 Series Type 2280			Type 2260	
	180GB	240GB	360GB	180GB	240GB
Operating Voltage for 3.3 V (±5%)					
Min	3.14 V				
Max	3.47 V				
Rise Time (Max/Min)	100 ms / 0.1 ms				
Fall Time (Max/Min)	5 s / 1 ms				
Noise Tolerance	70 mV pp (10 Hz – 30 MHz)				
Min Off Time <sup>1</sup>	1 s				
Power Consumption (TYP)					
Active <sup>2</sup>	140 mW				
Idle <sup>3</sup>	55 mW				
DevSleep <sup>4</sup>	200 μW				
Thermal Power <sup>5</sup>	3.8 W	4.5 W	4.5 W	3.8 W	4.5 W
Regulator Power <sup>6</sup>	4.1 W	4.9 W	5.5 W	4.1 W	4.9 W

**Note:**

1. Minimum time from when power removed from drive (Vcc < 100 mV) to when power can be reapplied to drive.
2. Active power measured during execution of MobileMark\* 2007 with SATA Link Power Management (LPM) enabled.
3. Non-DevSleep idle power with SATA Link Power Management (LPM) enabled.
4. Power consumption during DevSleep state.
5. Power measured during 128kB sequential writes with Queue Depth 32 workload using 100 ms sample period. This represents power that would be thermal load on system during heavy workloads.
6. Power measured during 128kB sequential writes with Queue Depth 32 workload using 500 us sample period. This represents power that system power supply would have to regulate for proper device operation.



## 2.4 Environmental Conditions

### 2.4.1 Temperature, Shock, Vibration

Table 8: Temperature, Shock, Vibration

Electrical Characteristics	Range
Module Temperature Operating <sup>1</sup> Non-operating <sup>2</sup>	0° C – 70° C -55° C – 95° C
Temperature Gradient <sup>3</sup> Operating Non-operating	30 (TYP)° C/hr 30 (TYP)° C/hr
Humidity Operating Non-operating	5 – 95 % 5 – 95 %
Shock and Vibration	Range
Shock <sup>4</sup> Operating Non-operating	1,000 G (Max) at 0.5 msec 1,000 G (Max) at 0.5 msec
Vibration <sup>5</sup> Operating Non-operating	2.17 GRMS (5-700 Hz) Max 3.13 GRMS (5-800 Hz) Max

**Note:**

1. As measured by temperature sensor, SMART Attribute BEh. Active airflow is recommended within the system for maintaining proper device operating temperature on heavier workloads.
2. Please contact your Intel representative for details on the non-operating temperature range.
3. Temperature gradient measured without condensation.
4. Shock specifications assume SSD is mounted securely with the input vibration applied to the drive-mounting screws. Stimulus may be applied in the X, Y or Z axis. Shock specification is measured using peak acceleration and pulse width value.
5. Vibration specifications assume the SSD is mounted securely with the input vibration applied to the drive-mounting screws. Stimulus may be applied in the X, Y or Z axis. Vibration specification is measured using G Root Mean Squared (GRMS) value.

#### 2.13.1 Altitude

The drive is not sensitive to changes in atmospheric pressure because it has no moving parts. Drive tested under non-operational conditions to pressures representative of -1 K and +40 K feet.



## 2.14 Product Regulatory Compliance

The Intel SSD Pro 2500 Series meets or exceeds the regulatory or certification requirements in the table below.

**Table 9: Product Regulatory Compliance Specifications**

Title	Description	Region For Which Conformity Declared
TITLE 47-Telecommunications CHAPTER 1— FEDERAL COMMUNICATIONS COMMISSION PART 15 — RADIO FREQUENCY DEVICES  ICES-003, Issue 4 Interference-Causing Equipment Standard Digital Apparatus	FCC Part 15B Class B  CAN/CSA – CEI/IEC CISPR 22-10 (Ref. CISPR 22:2008)	USA  Canada
IEC 55024 Information Technology Equipment — Immunity characteristics— Limits and methods of measurement CISPR24:2010	EN-55024: 2010 and its amendments	European Union
IEC 55022 Information Technology Equipment — Radio disturbance Characteristics— Limits and methods of measurement CISPR22:2008 (Modified)	EN-55022: 2010 and its amendments	European Union
EN-60950-1 2 <sup>nd</sup> Edition	Information Technology Equipment — Safety — Part 1: General Requirements	USA/Canada
UL/CSA EN-60950-1 2 <sup>nd</sup> Edition	Information Technology Equipment — Safety — Part 1: General Requirements	USA/Canada



## 2.15 Reliability

The Intel SSD Pro 2500 Series meets or exceeds SSD endurance and data retention requirements as specified in the JESD218 specification.

**Table 10: Reliability Specifications**

Parameter	Value
<b>Uncorrectable Bit Error Rate (UBER)</b> Uncorrectable bit error rate will not exceed one sector in the specified number of bits read. In the unlikely event of a non-recoverable read error, the SSD will report it as a read failure to the host; the sector in error is considered corrupt and is not returned to the host.	< 1 sector per 10 <sup>16</sup> bits read
<b>Mean Time Between Failures (MTBF)</b> Mean Time Between Failures is estimated based on Telcordia* methodology and demonstrated through Reliability Demonstration Test (RDT).	≥ 1.2 million hours
<b>Minimum Useful Life/Endurance Rating</b> The SSD will have a minimum of five years of useful life under typical client workloads with up to 20 GB of host writes per day.	5 years
<b>Insertion Cycles</b> Maximum insertion/removal cycles on M.2 port	250 insertion/removal cycles

### 3 Mechanical Information

The figure below shows the mechanical information for the 80 mm and 60 mm height, M.2 Intel® SSD Pro 2500 Series. All dimensions are in millimeters.

**Figure 1: Dimensions for 80 mm single-sided M.2 Form Factor Drives (2280-S2-B-M) 180GB**

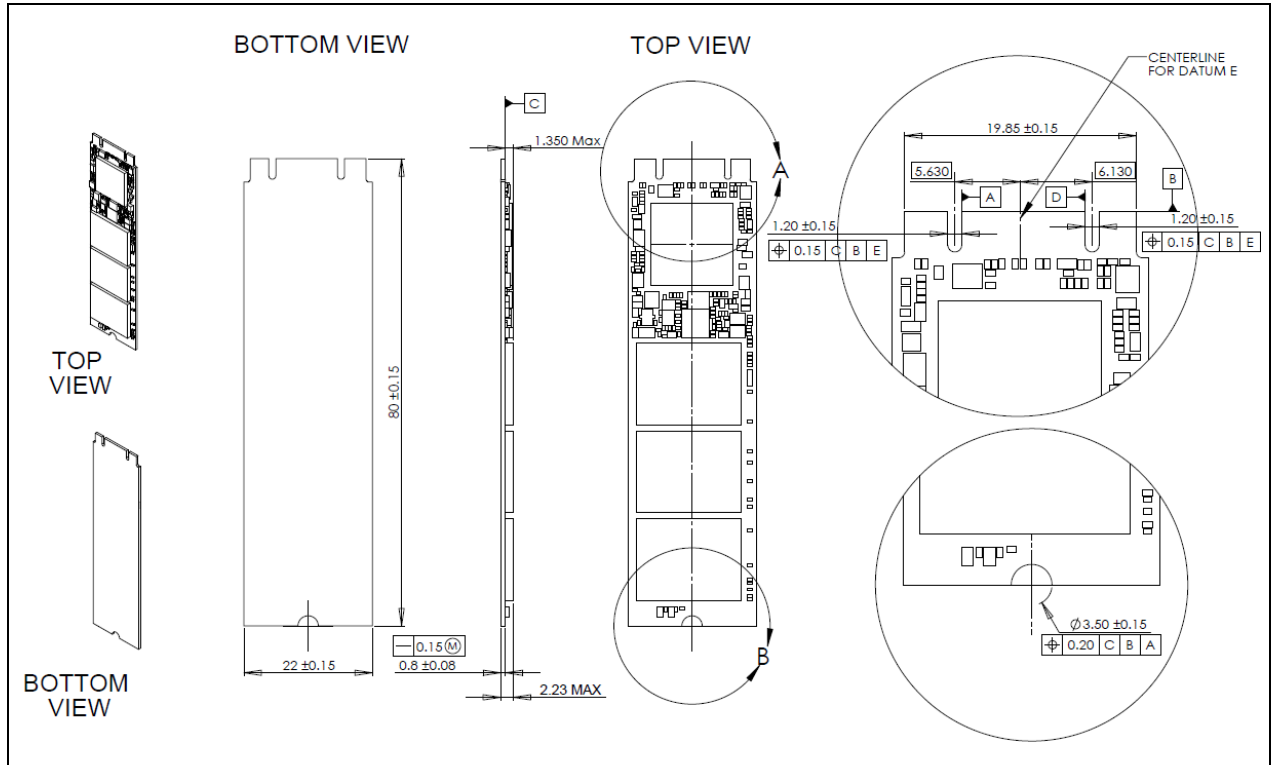


Figure 2: Dimensions for 80 mm double-sided M.2 Form Factor Drives (2280-D2-B-M) 240GB and 360GB

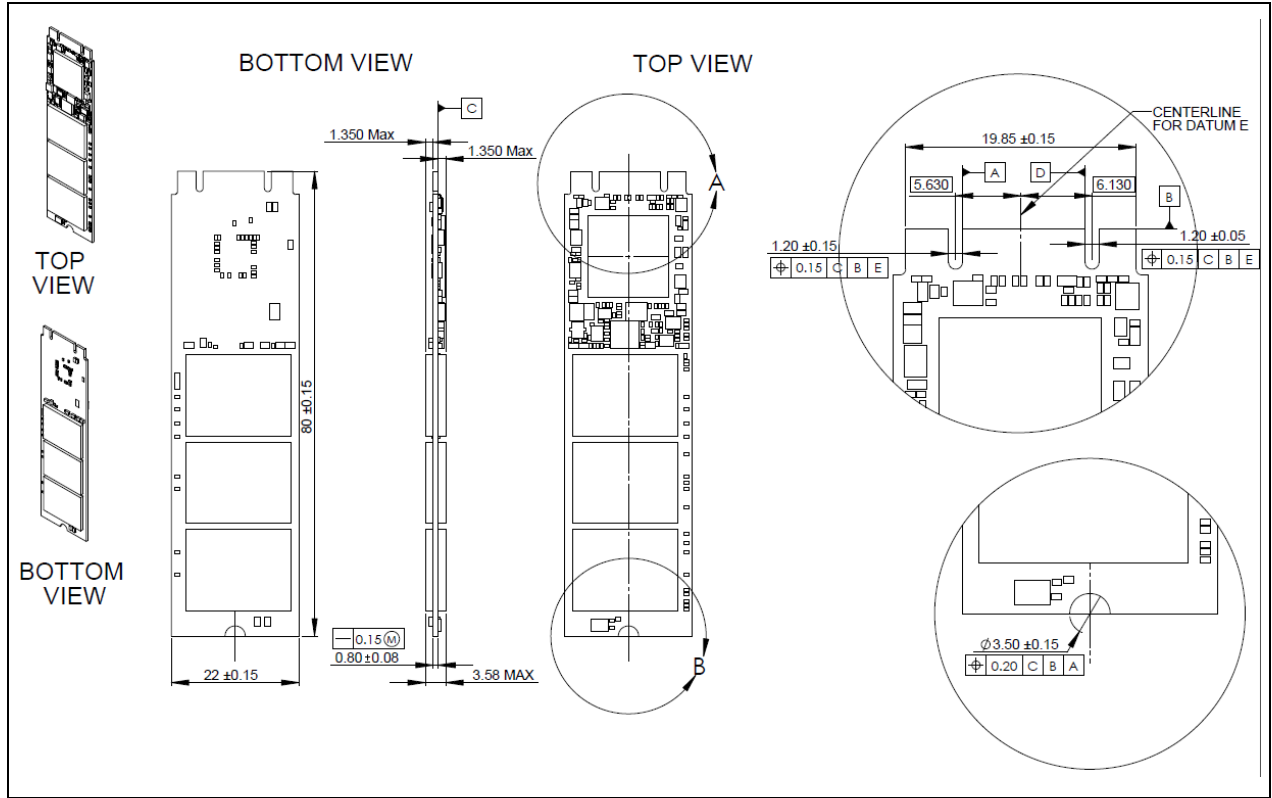
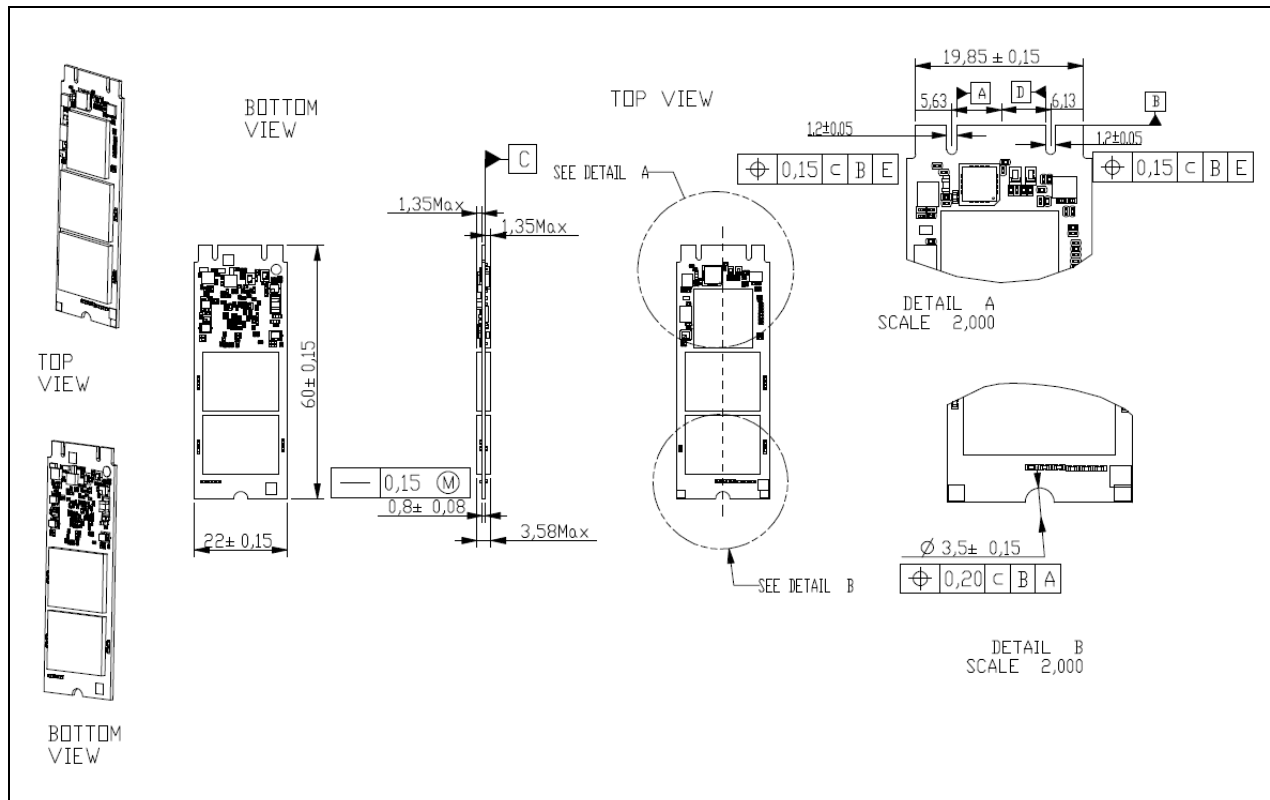


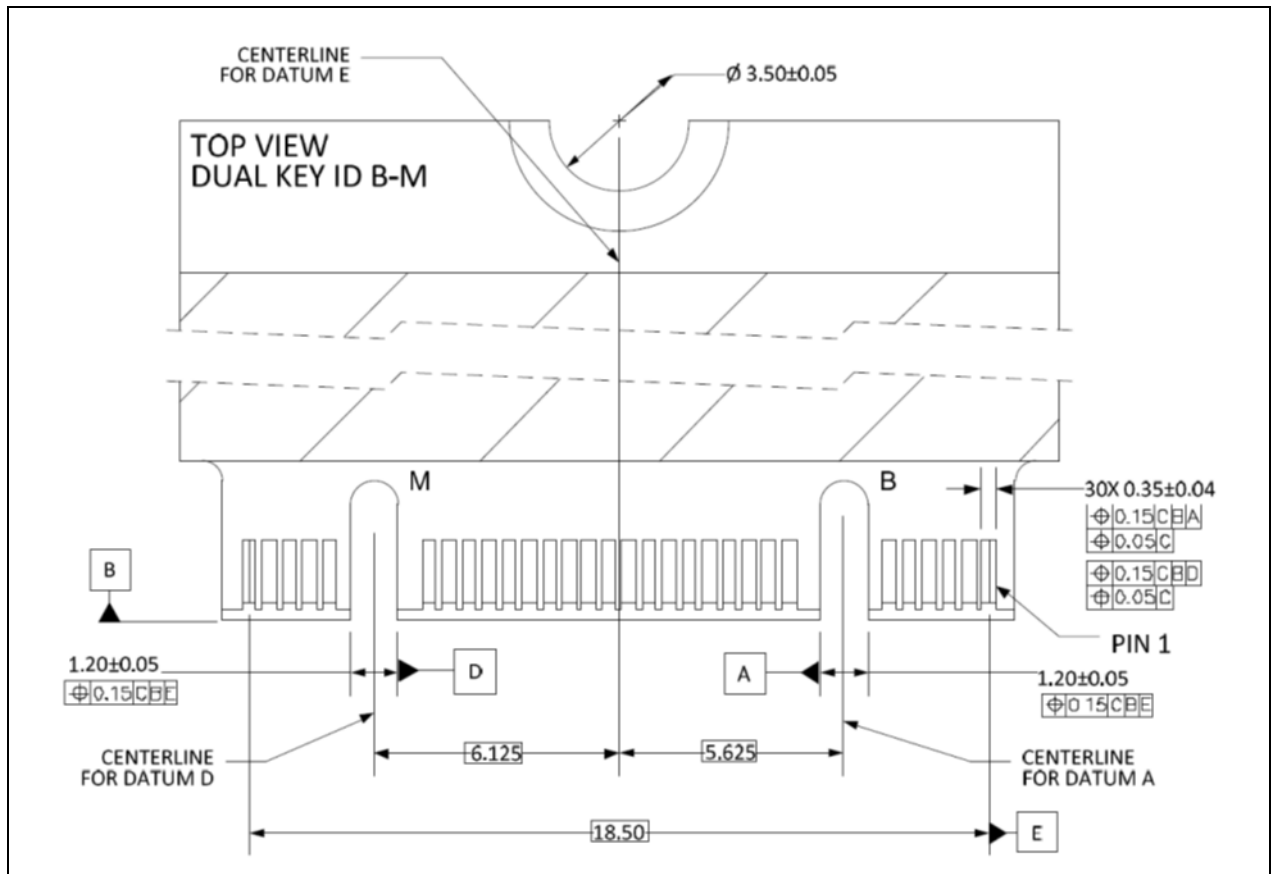
Figure 3: Dimensions for 60 mm double-sided M.2 Form Factor Drives (2260-D2-B-M) 180GB and 240GB



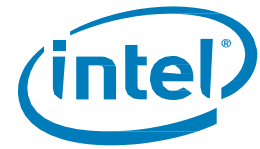
# 4 Pin and Signal Descriptions

## 4.1 Pin Locations

Figure 4: Layout of Signal and Power Segment Pins







## 4.2 Signal Descriptions

**Table 11: M.2 Serial ATA Power Pin Definitions**

Pin	Function	Definition
P1	CONFIG_3	Ground
P2	+3.3 V	3.3 V Source
P3	GND	Ground
P4	+3.3 V	3.3 V Source
P5	Reserved	No Connect
P6	Reserved	No Connect
P7	Reserved	No Connect
P8	Reserved	No Connect
P9	Reserved	No Connect
P10	DAS/DSS#	Device Activity Signal / Disable Staggered Spin-up
P11	Reserved	No Connect
P12	Notch	No Connect
P13	Notch	No Connect
P14	Notch	No Connect
P15	Notch	No Connect
P16	Notch	No Connect
P17	Notch	No Connect
P18	Notch	No Connect
P19	Notch	No Connect
P20	Reserved	No Connect
P21	CONFIG_0	Ground
P22	Reserved	No Connect
P23	Reserved	No Connect
P24	Reserved	No Connect
P25	Reserved	No Connect
P26	Reserved	No Connect
P27	GND	Ground
P28	Reserved	No Connect
P29	Reserved	No Connect
P30	Reserved	No Connect
P31	Reserved	No Connect
P32	Reserved	No Connect
P33	GND	Ground
P34	Reserved	No Connect
P35	Reserved	No Connect
P36	Reserved	No Connect
P37	Reserved	No Connect
P38	DEVSLP	DevSleep Pin
P39	GND	Ground
P40	Reserved	No Connect
P41	+B	Host Receiver Differential Signal Pair (This is an output of the SSD)
P42	Reserved	No Connect
P43	-B	Host Receiver Differential Signal Pair (This is an output of the SSD)
P44	Reserved	No Connect
P45	GND	Ground
P46	Reserved	No Connect
P47	-A	Host Transmitter Differential Signal Pair (This is an input of the SSD)
P48	Reserved	No Connect



Pin	Function	Definition
P49	+A	Host Transmitter Differential Signal Pair (This is an input of the SSD)
P50	Reserved	No Connect
P51	GND	Ground
P52	Reserved	No Connect
P53	Reserved	No Connect
P54	Reserved	No Connect
P55	Reserved	No Connect
P56	Two Wire Interface	Two Wire Interface Clock
P57	GND	Ground
P58	Two Wire Interface	Two Wire Interface Data
P59	Notch	No Connect
P60	Notch	No Connect
P61	Notch	No Connect
P62	Notch	No Connect
P63	Notch	No Connect
P64	Notch	No Connect
P65	Notch	No Connect
P66	Notch	No Connect
P67	Reserved	No Connect
P68	Reserved	No Connect
P69	CONFIG_1	Ground
P70	+3.3 V	3.3 V Source
P71	GND	Ground
P72	+3.3 V	3.3 V Source
P73	GND	Ground
P74	+3.3 V	3.3 V Source
P75	CONFIG_2	Ground

### 4.3 Device Sleep Feature

Device Sleep (or DevSleep/DEVSLP) is the latest feature aligned with Intel® 4th Generation Core™-based Ultrabook™. Ultrabook™ has stringent power requirements for SSDs and as such requires an ability to put the drive in a low power state. Although Link Power Management allows some control over power consumption, both methods still require the SATA link to remain online. The DevSleep pin is an “Enable” (High) pin which is pulled up by the drive.



## 5 Supported Command and Feature Sets

The Intel SSD Pro 2500 Series supports all mandatory Advanced Technology Attachment (ATA) and Serial ATA (SATA) commands defined in the ACS-3 and SATA Revision 3.2 specifications. The mandatory and optional commands are defined in this section.

### 5.1 Supported ATA General Feature Command Set

Below are mandatory and optional ATA feature sets supported by Intel SSD Pro 2500 Series.

- 48-Bit Address
- Advanced Power Management (APM)
- General
- General Purpose Logging (GPL)
- Native Command Queuing (NCQ)
- Power Management
- Sanitize Device
- Security
- SMART
- Software Settings Preservation (SSP)
- Trusted Computing

Below are mandatory and optional ATA commands supported by Intel SSD Pro 2500 Series.

**Table 12: Supported ATA Commands and Feature Sets**

Commands	Feature Set
BLOCK ERASE EXT	Sanitize Device <sup>3</sup>
CHECK POWER MODE	Power Management
CRYPTO SCRAMBLE EXT	Sanitize Device <sup>3</sup>
DATA SET MANAGEMENT	ATA General Feature
DOWNLOAD MICROCODE	ATA General Feature
EXECUTE DEVICE DIAGNOSTIC	ATA General Feature
FLUSH CACHE	ATA General Feature
FLUSH CACHE EXT	48-Bit Address
IDENTIFY DEVICE <sup>1</sup>	ATA General Feature
IDLE	Power Management
IDLE IMMEDIATE	Power Management
NOP	ATA General Feature
READ BUFFER	ATA General Feature
READ DMA	ATA General Feature
READ DMA EXT	48-Bit Address



Commands	Feature Set
READ FPDMA QUEUED	Native Command Queuing
READ LOG DMA EXT	General Purpose Logging
READ LOG EXT	General Purpose Logging
READ MULTIPLE	ATA General Feature
READ MULTIPLE EXT	48-Bit Address
READ NATIVE MAX ADDRESS	48-Bit Address
READ NATIVE MAX ADDRESS EXT	48-Bit Address
READ SECTOR(S)	ATA General Feature
READ SECTOR(S) EXT	48-Bit Address
READ VERIFY SECTOR(S)	ATA General Feature
READ VERIFY SECTOR(S) EXT	48-Bit Address
SANITIZE FREEZE LOCK EXT	Sanitize Device <sup>3</sup>
SANITIZE STATUS EXT	Sanitize Device <sup>3</sup>
SECURITY DISABLE PASSWORD	ATA Security <sup>2</sup>
SECURITY ERASE PREPARE	ATA Security <sup>2</sup>
SECURITY ERASE UNIT	ATA Security <sup>2</sup>
SECURITY FREEZE LOCK	ATA Security <sup>2</sup>
SECURITY SET PASSWORD	ATA Security <sup>2</sup>
SECURITY UNLOCK	ATA Security <sup>2</sup>
SEEK	ATA General Feature
SET FEATURES	ATA General Feature
SET MAX ADDRESS EXT	48-Bit Address
SET MULTIPLE MODE	ATA General Feature
SLEEP	Power Management
SMART DISABLE OPERATIONS	SMART
SMART ENABLE OPERATIONS	SMART
SMART ENABLE/DISABLE ATTRIBUTE AUTOSAVE	SMART
SMART EXECUTE OFF-LINE IMMEDIATE	SMART
SMART READ DATA	SMART
SMART READ ATTRIBUTE THRESHOLDS	SMART
SMART READ LOG	SMART
SMART READ LOG SECTOR	SMART
SMART RETURN STATUS	SMART



Commands	Feature Set
SMART SAVE ATTRIBUTE VALUES	SMART
SMART WRITE LOG SECTOR	SMART
STANDBY	Power Management
STANDBY IMMEDIATE	Power Management
TRUSTED RECEIVE	Trusted Computing
TRUSTED RECEIVE DMA	Trusted Computing
TRUSTED SEND	Trusted Computing
TRUSTED SEND DMA	Trusted Computing
WRITE BUFFER	ATA General Feature
WRITE DMA	ATA General Feature
WRITE DMA EXT	48-Bit Address
WRITE DMA FUA EXT	48-Bit Address
WRITE FPDMA QUEUED	Native Command Queuing
WRITE LOG DMA EXT	General Purpose Logging
WRITE LOG EXT	General Purpose Logging
WRITE MULTIPLE	ATA General Feature
WRITE MULTIPLE EXT	48-Bit Address
WRITE MULTIPLE FUA EXT	48-Bit Address
WRITE SECTOR(S)	ATA General Feature
WRITE SECTOR(S) EXT	48-Bit Address
WRITE UNCORRECTABLE EXT	ATA General Feature

**Note:**

1. See the Appendix for details on the sector data returned after issuing an IDENTIFY DEVICE command.
2. Security features disabled and not supported if Opal activated
3. Sanitize Device features not supported if Opal activated

## 5.2 Advanced Power Management (APM)

The Advanced Power Management can be enabled or disabled using the SET FEATURES command.

**Table 13: APM Subcommand Codes for Power Management and Definitions**

Subcommand Codes	Definition
10h	Power optimized for connected standby power
40h	Power optimized for lid up
80h	Balanced power/performance for non-connected standby
FEh	Optimized for high performance (Default)



**Table 14: APM Subcommand Codes for Thermal Power Management and Definitions**

Subcommand Codes	Definition
60h	Most aggressive thermal setting
6Fh	Light thermal setting

## 5.3 Security

### 5.3.1 Sanitization Methods

Sanitization refers to a process to render data inaccessible. Various sanitization methods are listed below.

#### 5.3.1.1 Secure Erase

Secure Erase runs the SECURITY ERASE UNIT command

**Table 15: Supported Secure Erase Modes and Definitions**

Secure Erase Mode	Definition
Normal Mode	Full NAND erase of user available space and spare area
Enhanced Mode	Cryptographically erase data

**Note:** Secure Erase Modes are not supported if drive is in an Opal Activated state.

#### 5.3.1.2 Sanitize Device

**Table 16: Supported Sanitize Device Modes and Definitions**

Mode	Definition
Block Erase	Block erase method, all user data areas including user data not currently allocated, irretrievable
Crypto Scramble Ext	Changes the internal encryption keys

**Note:** Sanitize Device Modes are not supported if drive is in an Opal Activated state.

### 5.3.2 TCG Opal SSC Support

The Intel SSD Pro 2500 Series drive is a Self-Encrypting Drive (SED) that supports the TCG Opal SSC Specification Version 2.0 rev 1.0 mandatory commands along with the following features:

- PSID (Physical presence Security ID) Revert for SSD Repurposing
- AES mode: XTS-AES 256-bit
- FIPS 197 certified

Once Opal is activated by user (Locking SP in “Manufactured” state), per Opal specification, ATA Security Features are not supported by the drive. Word 82, bit 1 and Word 128, bit 0 will indicate no support (bit = 0). Host should not attempt any ATA Security Features when Opal is activated.



The following table indicates changes in ID Device word values when Opal is activated.

Table 17: ID Device Changes with Opal Activation

Word	Description	Value (Opal Deactivated)	Value (Opal Activated)
82	Features/Command Sets Support(Bit 1 Security Support)	746Bh	7469h
89	SECURITY ERASE UNIT Time	0002h	0000h
90	ENHANCED SECURITY ERASE UNIT Time	0001h	0000h
92	Master Password Revision Code	FFFEh	0000h
128	Security Status	0021h	0000h

### 5.3.3 Windows eDrive\*

The Intel SSD Pro 2500 Series allows up to 4 independent user locking ranges with hardware-based 256-bit AES encryption. If additional locking ranges are needed, Windows eDrive\* will support additional ranges enabled with Windows BitLocker\* software encryption.

**Note:** Microsoft\* eDrive support is disabled as Out-of-box factory default setting. Use the Intel® SSD Pro Administrator Tool to enable eDrive support. (Visit [www.intel.com/ssd](http://www.intel.com/ssd) to access the Tools panel for download.)

## 5.4 Device Statistics

In addition to the SMART attribute structure, statistics pertaining to the operation and health of the Intel® SSD Pro 2500 Series can be reported to the host on request through the Device Statistics log as defined in the ATA specification.

The Device Statistics log is a read-only GPL/SMART log located at read log address 0x04 and is accessible using READ LOG EXT, READ LOG DMA EXT or SMART READ LOG commands.

The following table lists the Device Statistics supported by the Intel SSD Pro 2500 Series.

Table 18: Device Statistics Log

Page	Offset	Description	Equivalent SMART attribute if applicable
0x00	-	List of Supported Pages	-
0x01 - General Statistics	0x08	Power Cycle Count	0Ch
	0x10	Power-On Hours	09h
	0x18	Logical Sectors Written	E1h
	0x28	Logical Sectors Read	F2h
0x04 - General Errors Statistics	0x08	Num Reported Uncorrectable Errors	BBh
	0x10	Num Resets Between Command Acceptance and Completion	-
0x06 - Transport Statistics	0x08	Num Hardware Resets	-
	0x10	Num ASR Events	-
	0x18	Num Interface CRC Errors	-



Page	Offset	Description	Equivalent SMART attribute if applicable
0x07 - Solid State Device Statistics	0x08	Percentage Used Endurance Indicator	E9h This statistic counts up from 0 rather than down from 100, and may go beyond 100 for drives that exceed their expected lifetime.

## 5.5 Software Settings Preservation

Intel® SSD Pro 2500 Series supports the SET FEATURES parameter to enable/disable the preservation of software settings. The following table lists the software setting that will be preserved across a COMRESET.

**Table 19: Preserved Software Settings**

Feature	Preserved Settings
Advanced Power Management	Enabled or Disabled
Multiple Mode	Block size from the last set multiple mode
NCQ Streaming commands processing	WDNC bit and RDNC bit states
Password Attempt Counter	Password Attempt Counter value
Read look-ahead	Enabled or Disabled
Read/Write Stream Error Logs	Log contents
Reverting to defaults mode	Enabled or disabled
Sanitize Device	Whether device is in the Sanitize Frozen state
Security	Current Security state
Standby Timer	Standby Timer setting
Transfer Mode	DMA and UDMA transfer mode settings
Volatile Write Cache	Enabled or Disabled
Write-Read Verify	Write-Read-Verify feature set settings. Device shall not return to factory default Write-Read-Verify settings after a COMRESET

## 5.6 DevSleep

Intel® SSD Pro 2500 Series supports the DevSleep feature. DevSleep must be enabled on the device by the host system through the SET FEATURES command. If DevSleep is enabled by the host, the host must drive the DevSleep signal to proper assert/de-assert voltage levels according to the SATA specification. Entry into DevSleep must be preceded by LPM slumber entry by host and device. The Intel SSD Pro 2500 Series also supports DevSleep\_to\_ReducedPwrState which allows the host to wake the drive using normal LPM COMWAKE out-of-band signaling.

For the Intel SSD Pro 2500 Series, the recommended total time to DevSleep for system active state is 6 sec. The AHCI\* controller has 4 parameters used to define proper DevSleep operation between the host and drive. The following table provides those recommended values for the Intel SSD Pro 2500 Series drive.





Table 20: DevSleep Control Parameters

Parameter	Definition	Control	Recommended Settings
<b>DITO</b>	DevSleep Idle Time Out – number of milliseconds prior to host asserting DevSleep	Set by Host	Active (lid-up): 375
<b>DM</b>	DITO Multiplier – set once at boot-up	Set by Host	15
<b>MDAT</b>	Minimum DevSleep Assertion Time – minimum time in milliseconds for host to assert DevSleep	Reported by Drive	10
<b>DETO</b>	DevSleep Exit Time Out – max time in milliseconds from when DevSleep is negated to when device ready to detect OOB	Reported by Drive	20

**Total time to DevSleep entry = DITO \* (DM+1)**

## 5.7 SMART Command Transport

With SMART Command Transport (SCT), a host can send commands and data to an SSD and receive status and data from an SSD using standard write/read commands to manipulate two SMART Logs:

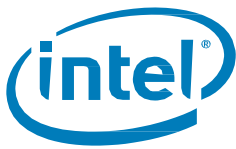
- Log Address E0h ("SCT Command/Status") — used to send commands and retrieve status
- Log Address E1h ("SCT Data Transfer") — used to transport data

## 5.8 SMART Attributes

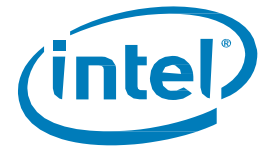
The following two tables list the SMART attributes supported by the Intel® SSD Pro 2500 Series, and the corresponding status flags and threshold settings.

Table 21: SMART Attributes

ID	Attribute	Status Flags						Threshold
		SP	EC	ER	PE	OC	PW	
05h	Re-allocated Sector Count The raw value of this attribute shows the number of retired blocks since leaving the factory (grown defect count).	1	1	0	0	1	0	0 (none)
09h	Power-On Hours Count The raw value reports two values: the first 4 bytes report the cumulative number of power-on hours over the life of the device, the remaining bytes report the number of milliseconds since the last hour increment. The On/Off status of the Device Initiated Power Management (DIPM) feature will affect the number of hours reported. If DIPM is turned On, the recorded value for power-on hours does not include the time that the device is in a "slumber" state. If DIPM is turned Off, the recorded value for	1	1	0	0	1	0	0 (none)



ID	Attribute	Status Flags						Threshold
		SP	EC	ER	PE	OC	PW	
	power-on hours should match the clock time, as all three device states are counted: active, idle and slumber.							
0Ch	Power Cycle Count The raw value of this attribute reports the cumulative number of power cycle events over the life of the device.	1	1	0	0	1	0	0 (none)
AAh	Available Reserved Space	1	1	0	0	1	1	10
ABh	Program Fail Count The raw value of this attribute shows total count of program fails and the normalized value, beginning at 100, shows the percent remaining of allowable program fails.	1	1	0	0	1	0	0 (none)
ACh	Erase Fail Count The raw value of this attribute shows total count of erase fails and the normalized value, beginning at 100, shows the percent remaining of allowable erase fails.	1	1	0	0	1	0	0 (none)
AEh	Unexpected Power Loss The raw value of this attribute reports the cumulative number of unsafe (unclean) shutdown events over the life of the device. An unsafe shutdown occurs whenever the device is powered off without STANDBY IMMEDIATE being the last command	1	1	0	0	1	0	0 (none)
B7h	SATA Downshift Count The count of the number of times SATA interface selected lower signaling rate due to error.	1	1	0	0	1	0	0
B8h	End-to-End Error Detection Count Reports number of errors encountered during end-to-end error detection within the SSD data path.	1	1	0	0	1	1	90
BBh	Uncorrectable Error Count The raw value shows the count of errors that could not be recovered using Error Correction Code (ECC).	1	1	0	0	1	0	0 (none)
BEh	Temperature Reports real-time temperature of drive as	1	1	0	0	1	0	0 (none)



Intel® Solid-State Drive Pro 2500 Series (M.2)

ID	Attribute	Status Flags						Threshold
		SP	EC	ER	PE	OC	PW	
	measured by temperature sensor on drive PCB. The normalized value reports the current temperature value. The raw value shows current, lifetime highest and lifetime lowest temperatures. Byte 1:0 = current temp Celsius; Byte 3:2 = lifetime highest temp Celsius; Byte 5:4 = lifetime lowest temp Celsius.							
C0h	Power-Off Retract Count (Unsafe Shutdown Count) The raw value of this attribute reports the cumulative number of unsafe (unclean) shutdown events over the life of the device. An unsafe shutdown occurs whenever the device is powered off without STANDBY IMMEDIATE being the last command.	1	1	0	0	1	0	0 (none)
C7h	CRC Error Count The total number of encountered SATA interface cyclic redundancy check (CRC) errors.	1	1	0	0	1	0	0 (none)
E1h	Host Writes The raw value of this attribute reports the total number of sectors written by the host system. The raw value is increased by 1 for every 65,536 sectors (32MB) written by the host.	1	1	0	0	1	0	0 (none)
E2h	Timed Workload Media Wear Measures the wear seen by the SSD (since reset of the workload timer, attribute E4h), as a percentage of the maximum rated cycles.	1	1	0	0	1	0	0 (none)
E3h	Timed Workload Host Read/Write Ratio Shows the percentage of I/O operations that are read operations (since reset of the workload timer, attribute E4h).	1	1	0	0	1	0	0 (none)
E4h	Timed Workload Timer Measures the elapsed time (number of minutes since starting this workload timer).	1	1	0	0	1	0	0 (none)
E8h	Available Reserved Space This attribute reports the number of reserve blocks remaining. The normalized value begins at 100 (64h), which corresponds to 100 percent availability of the reserved space. The threshold value for this attribute is 10 percent availability.	1	1	0	0	1	1	10
E9h	Media Wearout Indicator This attribute reports the number of cycles the NAND media has undergone. The normalized value declines linearly from 100 to 1 as the average erase cycle count increases from 0 to the maximum rated cycles. Once the normalized value reaches 1, the number will not decrease, although it is likely that significant additional wear can be put on the device	1	1	0	0	1	0	0 (none)
F1h	Total LBAs Written The raw value of this attribute reports the total number of sectors written by the host system. The raw value is increased by 1 for every 65,536 sectors (32MB) written by the host.	1	1	0	0	1	0	0 (none)
F2h	Total LBAs Read The raw value of this attribute reports the total	1	1	0	0	1	0	0 (none)



ID	Attribute	Status Flags						Threshold
		SP	EC	ER	PE	OC	PW	
	number of sectors read by the host system. The raw value is increased by 1 for every 65,536 sectors (32MB) read by the host.							
F9h	Total NAND Writes Raw value reports the number of writes to NAND in 1 GB increments.	1	1	0	0	1	0	0 (none)

**Table 22: SMART Attribute Status Flags**

Status Flag	Description	Value = 0	Value = 1
SP	Self-preserving attribute	Not a self-preserving attribute	Self-preserving attribute
EC	Event count attribute	Not an event count attribute	Event count attribute
ER	Error rate attribute	Not an error rate attribute	Error rate attribute
PE	Performance attribute	Not a performance attribute	Performance attribute
OC	Online collection attribute	Collected only during offline activity	Collected during both offline and online activity
PW	Pre-fail warranty attribute	Advisory	Pre-fail

## 5.9 SMART Logs

Intel® SSD Pro 2500 Series implements the following Log Addresses: 00h, 02h, 03h, 06h, and 07h.

The Intel SSD Pro 2500 Series implements host vendor specific logs (addresses 80h-9Fh) as read and write scratchpads, where the default value is zero (0). Intel SSD Pro 2500 Series does not write any specific values to these logs unless directed by the host through the appropriate commands.

The Intel SSD Pro 2500 Series also implements a device vendor specific log at address A9h as a read-only log area with a default value of zero (0).



## 6 Certifications and Declarations

The following table describes the Device Certifications supported by the Intel® SSD Pro 2500 Series.

**Table 23: Device Certifications and Declarations**

Certification	Description
CE* Compliant	European Economic Area (EEA): Compliance with the essential requirements of EC Council Directives Low Voltage Directive (LVD) 2006/95/EC, EMC Directive 2004/108/EC and Directive 2011/65/EU.
UL* Certified	Certified Underwriters Laboratories, Inc. Bi-National Component Recognition; UL 60950-1, 2nd Edition, 2007-03-27 (Information Technology Equipment - Safety - Part 1: General Requirements) CSA C22.2 No. 60950-1-07, 2nd Edition, 2007-03 (Information Technology Equipment - Safety - Part 1: General Requirements)
C-Tick* Compliant	Compliance with the Australia/New Zealand Standard AS/NZS3548 and Electromagnetic Compatibility (EMC) Framework requirements of the Australian Communication Authority (ACA).
BSMI* Compliant	Compliance to the Taiwan EMC standard CNS 13438: Information technology equipment - Radio disturbance Characteristics - limits and methods of measurement, as amended on June 1, 2006, is harmonized with CISPR 22: 2005.04.
KCC*	Compliance with paragraph 1 of Article 11 of the Electromagnetic Compatibility Control Regulation and meets the Electromagnetic Compatibility (EMC) Framework requirements of the Radio Research Laboratory (RRL) Ministry of Information and Communication Republic of Korea.
Microsoft WHCK*	Microsoft Windows Hardware Certification Kit
RoHS* Compliant	Restriction of Hazardous Substance Directive
VCCI*	Voluntary Control Council for Interface to cope with disturbance problems caused by personal computers or facsimile.
SATA-IO*	Indicates certified logo program from Serial ATA International Organization.
Low Halogen	Applies only to brominated and chlorinated flame retardants (BFRs/CFRs) and PVC in the final product. Intel components as well as purchased components on the finished assembly meet JS-709 requirements, and the PCB/substrate meet IEC 61249-2-21 requirements. The replacement of halogenated flame retardants and/or PVC may not be better for the environment.



## 7 Appendix

### 7.1 Identify Device

The table below describes the sector data returned from an identify device command

**Table 24: Identify Device Returned Sector Data**

Word	F = Fixed V = Variable X = Both	Default Value	Description
0	F	0040h	General configuration bit-significant information
1	X	3FFFh	Obsolete - Number of logical cylinders (16,383)
2	V	C837h	Specific configuration
3	X	0010h	Obsolete - Number of logical heads (16)
4-5	X	0h	Retired
6	X	003Fh	Obsolete - Number of logical sectors per logical track (63)
7-8	V	0h	Reserved for assignment by the CompactFlash* Association (CFA)
9	X	0h	Retired
10-19	F	varies	Serial number (20 ASCII characters)
20-21	X	0h	Retired
22	X	0h	Obsolete
23-26	F	varies	Firmware revision (8 ASCII characters)
27-46	F	varies	Model number (Intel® Solid-State Drive)
47	F	8010h	7:0—Maximum number of sectors transferred per interrupt on multiple commands
48	F	4001h	Reserved
49	F	2F00h	Capabilities
50	F	4000h	Capabilities
51-52	X	0h	Obsolete
53	F	0007h	Words 88 and 70:64 valid
54	X	3FFFh	Obsolete - Number of logical cylinders (16,383)
55	X	0010h	Obsolete - Number of logical heads (16)
56	X	003Fh	Obsolete - Number of logical sectors per logical track (63)
57-58	X	00FBFC10h	Obsolete
59	V	B110h	Number of sectors transferred per interrupt on multiple commands



Intel® Solid-State Drive Pro 2500 Series (M.2)

Word	F = Fixed V = Variable X = Both	Default Value	Description
60-61	F	varies	Total number of user-addressable sectors
62	X	0h	Obsolete
63	F	0007h	Multi-word DMA modes supported/selected
64	F	0003h	PIO modes supported
65	F	0078h	Minimum multiword DMA transfer cycle time per word
66	F	0078h	Manufacturer's recommended multiword DMA transfer cycle time
67	F	0078h	Minimum PIO transfer cycle time without flow control
68	F	0078h	Minimum PIO transfer cycle time with IORDY flow control
69	F	4010h	Additional Supported
70	F	0h	Reserved
71-74	F	0h	Reserved for IDENTIFY PACKET DEVICE command
75	F	001Fh	Queue depth
76	F	070Eh	Serial ATA capabilities
77	F	0086h	Reserved for future Serial ATA definition
78	F	014Ch	Serial ATA features supported
79	V	0044h	Serial ATA features enabled
80	F	07FCh	Major version number
81	F	FFFFh	Minor version number
82	F	746Bh	Command set supported
83	F	7429h	Command sets supported
84	F	6163h	Command set/feature supported extension
85	V	7469h	Command set/feature enabled
86	V	B409h	Command set/feature enabled
87	V	6163h	Command set/feature default
88	V	407Fh	Ultra DMA Modes
89	F	0002h	Time required for security erase unit completion
90	F	0001h	Time required for enhanced security erase completion
91	V	00FEh	Current advanced power management value
92	V	FFFEh	Master Password Revision Code
93	F	0h	Hardware reset result: the contents of bits (12:0) of this word shall change only during the execution of a hardware reset



Word	F = Fixed V = Variable X = Both	Default Value	Description
94	V	0h	Vendor's recommended and actual acoustic management value
95	F	0h	Stream minimum request size
96	V	0h	Streaming transfer time - DMA
97	V	0h	Streaming access latency - DMA and PIO
98-99	F	0h	Streaming performance granularity
100-103	V	varies	Maximum user LBA for 48-bit address feature set
104	V	0h	Streaming transfer time - PIO
105	F	0001h	Reserved
106	F	4000h	Physical sector size / logical sector size
107	F	0h	Inter-seek delay for ISO-7779 acoustic testing in microseconds
108-111	F	varies	Unique ID
112-115	F	0h	Reserved for world wide name extension to 128 bits
116	V	0h	Reserved for technical report
117-118	F	0h	Words per logical sector
119	F	401Ch	Supported settings
120	F	401Ch	Command set/feature enabled/supported
121-126	F	0h	Reserved
127	F	0h	Removable Media Status Notification feature set support
128	V	0021h	Security status
129-159	X	varies	Vendor-specific
160	F	0h	CompactFlash Association (CFA) power mode 1
161-168	X	0h	Reserved for assignment by the CFA
169	X	0001h	Data set management Trim attribute support
170-173	F	0h	Additional Product Identifier
174-175	F	0h	Reserved
176-205	V	0h	Current media serial number
206	X	0025h	SCT Command Transport
207-208	X	0h	Reserved
209	X	4000h	Alignment of logical blocks within a physical block
210-211	X	0h	Write-Read-Verify Sector Count Mode 3 (DWord)





Intel® Solid-State Drive Pro 2500 Series (M.2)

Word	F = Fixed V = Variable X = Both	Default Value	Description
212-213	X	0h	Write-Read-Verify Sector Count Mode 2 (DWord)
214	X	0h	NV Cache Capabilities
215-216	X	0h	NV Cache Size in Logical Blocks (DWord)
217	X	0001h	Nominal media rotation rate
218	X	0h	Reserved
219	X	0h	NV Cache Options
220	X	0h	Write-Read-Verify feature set
221	X	0h	Reserved
222	X	10FFh	Transport major version number
223	X	0h	Transport minor version number
224-229	X	0h	Reserved
230-233	X	0h	Extended Number of User Addressable Sectors (QWord)
234	X	0002h	Minimum number of 512-byte data blocks per DOWNLOAD MICROCODE command for mode 03h
235	X	0400h	Maximum number of 512-byte data blocks per DOWNLOAD MICROCODE command for mode 03h
236-254	X	0h	Reserved
255	X	varies	Integrity word

**Note:**

**F = Fixed.** The content of the word is fixed and does not change. For removable media devices, these values may change when media is removed or changed.

**V = Variable.** The state of at least one bit in a word is variable and may change depending on the state of the device or the commands executed by the device.

**X = F or V.** The content of the word may be fixed or variable.



## 7.2 Models

The following table lists the available M.2 models of the Intel® SSD Pro 2500 Series.

**Table 25: Available Models**

Model String	Capacity	Type
SSDSCKJF180A5	180GB	2280
SSDSCKJF240A5	240GB	
SSDSCKJF360A5	360GB	
SSDSCJF180A5	180GB	2260
SSDSCJF240A5	240GB	

# Mouser Electronics

Authorized Distributor

Click to View Pricing, Inventory, Delivery & Lifecycle Information:

[Intel:](#)

[SSDSCKJF180H6](#) [SSDSCKJF180H601](#) [SSDSCKJF240H6](#) [SSDSCKJF240H601](#) [SSDSCKJF360H6](#)  
[SSDSCKJF360H601](#)



## Стандарт Электрон Связь

Мы молодая и активно развивающаяся компания в области поставок электронных компонентов. Мы поставляем электронные компоненты отечественного и импортного производства напрямую от производителей и с крупнейших складов мира.

Благодаря сотрудничеству с мировыми поставщиками мы осуществляем комплексные и плановые поставки широчайшего спектра электронных компонентов.

Собственная эффективная логистика и склад в обеспечивает надежную поставку продукции в точно указанные сроки по всей России.

Мы осуществляем техническую поддержку нашим клиентам и предпродажную проверку качества продукции. На все поставляемые продукты мы предоставляем гарантию .

Осуществляем поставки продукции под контролем ВП МО РФ на предприятия военно-промышленного комплекса России , а также работаем в рамках 275 ФЗ с открытием отдельных счетов в уполномоченном банке. Система менеджмента качества компании соответствует требованиям ГОСТ ISO 9001.

Минимальные сроки поставки, гибкие цены, неограниченный ассортимент и индивидуальный подход к клиентам являются основой для выстраивания долгосрочного и эффективного сотрудничества с предприятиями радиоэлектронной промышленности, предприятиями ВПК и научно-исследовательскими институтами России.

С нами вы становитесь еще успешнее!

### Наши контакты:

**Телефон:** +7 812 627 14 35

**Электронная почта:** [sales@st-electron.ru](mailto:sales@st-electron.ru)

**Адрес:** 198099, Санкт-Петербург,  
Промышленная ул, дом № 19, литера Н,  
помещение 100-Н Офис 331