



Transition Socket Specification

Note the following details of the code protection feature on Microchip devices:

- Microchip products meet the specification contained in their particular Microchip Data Sheet.
- Microchip believes that its family of products is one of the most secure families of its kind on the market today, when used in the intended manner and under normal conditions.
- There are dishonest and possibly illegal methods used to breach the code protection feature. All of these methods, to our knowledge, require using the Microchip products in a manner outside the operating specifications contained in Microchip's Data Sheets. Most likely, the person doing so is engaged in theft of intellectual property.
- Microchip is willing to work with the customer who is concerned about the integrity of their code.
- Neither Microchip nor any other semiconductor manufacturer can guarantee the security of their code. Code protection does not mean that we are guaranteeing the product as "unbreakable."

Code protection is constantly evolving. We at Microchip are committed to continuously improving the code protection features of our products. Attempts to break Microchip's code protection feature may be a violation of the Digital Millennium Copyright Act. If such acts allow unauthorized access to your software or other copyrighted work, you may have a right to sue for relief under that Act.

Information contained in this publication regarding device applications and the like is provided only for your convenience and may be superseded by updates. It is your responsibility to ensure that your application meets with your specifications. MICROCHIP MAKES NO REPRESENTATIONS OR WARRANTIES OF ANY KIND WHETHER EXPRESS OR IMPLIED, WRITTEN OR ORAL, STATUTORY OR OTHERWISE, RELATED TO THE INFORMATION, INCLUDING BUT NOT LIMITED TO ITS CONDITION, QUALITY, PERFORMANCE, MERCHANTABILITY OR FITNESS FOR PURPOSE. Microchip disclaims all liability arising from this information and its use. Use of Microchip devices in life support and/or safety applications is entirely at the buyer's risk, and the buyer agrees to defend, indemnify and hold harmless Microchip from any and all damages, claims, suits, or expenses resulting from such use. No licenses are conveyed, implicitly or otherwise, under any Microchip intellectual property rights.

Trademarks

The Microchip name and logo, the Microchip logo, dsPIC, KEELOQ, KEELOQ logo, MPLAB, PIC, PICmicro, PICSTART, PIC³² logo, rPIC and UNI/O are registered trademarks of Microchip Technology Incorporated in the U.S.A. and other countries.

FilterLab, Hampshire, HI-TECH C, Linear Active Thermistor, MXDEV, MXLAB, SEEVAL and The Embedded Control Solutions Company are registered trademarks of Microchip Technology Incorporated in the U.S.A.

Analog-for-the-Digital Age, Application Maestro, CodeGuard, dsPICDEM, dsPICDEM.net, dsPICworks, dsSPEAK, ECAN, ECONOMONITOR, FanSense, HI-TIDE, In-Circuit Serial Programming, ICSP, Mindi, MiWi, MPASM, MPLAB Certified logo, MPLIB, MPLINK, mTouch, Octopus, Omniscient Code Generation, PICC, PICC-18, PICDEM, PICDEM.net, PICKIT, PICtail, REAL ICE, rLAB, Select Mode, Total Endurance, TSHARC, UniWinDriver, WiperLock and ZENA are trademarks of Microchip Technology Incorporated in the U.S.A. and other countries.

SQTP is a service mark of Microchip Technology Incorporated in the U.S.A.

All other trademarks mentioned herein are property of their respective companies.

© 2010, Microchip Technology Incorporated, Printed in the U.S.A., All Rights Reserved.

 Printed on recycled paper.

ISBN: 978-1-60932-069-0

Microchip received ISO/TS-16949:2002 certification for its worldwide headquarters, design and wafer fabrication facilities in Chandler and Tempe, Arizona; Gresham, Oregon and design centers in California and India. The Company's quality system processes and procedures are for its PIC[®] MCUs and dsPIC[®] DSCs, KEELOQ[®] code hopping devices, Serial EEPROMs, microperipherals, nonvolatile memory and analog products. In addition, Microchip's quality system for the design and manufacture of development systems is ISO 9001:2000 certified.

**QUALITY MANAGEMENT SYSTEM
CERTIFIED BY DNV
== ISO/TS 16949:2002 ==**



Transition Socket Specification

INTRODUCTION

Transition sockets are products that allow header boards (for next generation in-circuit emulators or in-circuit debuggers) or device adapters (for the MPLAB ICE 2000 in-circuit emulator) to interface to sockets on target applications.

Typically, header boards or device adapters have connectors that match development cycle device formats, such as DIP or PLCC. However, target sockets will match compact production device formats, such as SOIC, SSOP, QFP, or QFN. The solution is transition sockets. A transition socket is specifically designed to provide compatibility between two differing types of IC package formats.

Transition sockets are typically composed of two parts: the adapter socket and the adapter header. The adapter socket is designed to plug into the header board or device adapter on one side, and the adapter header on the other. The adapter header is then soldered down to the target application.

WHY SHOULD I USE TRANSITION SOCKETS IN MY PRODUCT DESIGN?

There are two very significant advantages to using transition sockets:

1. Shorter product development cycle
2. Reduced expense in the design, layout and prototype testing

A typical product design cycle has two important phases: the prototype design phase and the production design phase. Traditionally, these phases were different simply because the prototype used a microcontroller with a different package type. However, with the availability of the transition sockets, the prototype design can be identical to the production design because a transition socket can be used to bridge microcontroller package differences.

WHAT TRANSITION SOCKETS ARE CURRENTLY AVAILABLE?

Microchip Technology currently offers the transition sockets listed in the "Table of Contents" following this introductory section.

Use the on-line Development Tools Selector (DTS) to find the transition sockets available for each header board or for each device adapter. For more on header boards or device adapters, see:

- *Header Board Specification (DS51292)*
- *MPLAB® ICE 2000 Processor Module and Device Adapter Specification (DS51140)*
- *MPLAB® ICE 4000 Processor Module and Device Adapter Specification (DS51298)*

Please see the Microchip web site (www.microchip.com) for the DTS and most current version of all documents.

HOW CAN I OBTAIN MAXIMUM BENEFIT FROM THE USE OF TRANSITION SOCKETS?

Attention to component placement should be considered to provide adequate clearance for the transition socket interface to the PCB footprint. This is especially true for any tall components such as connector headers, radial components or voltage regulators. Refer to the transition socket mechanical drawings for dimensions.

Transition Socket Specification

TRANSITION SOCKET APPLICATIONS – COMMENTS AND SUGGESTIONS

Attention to component placement should be considered in mating the adapter sockets to the SOIC/SSOP headers.

The placement of vias around the Surface Mount Technology (SMT) layout area should be examined. Vias immediately adjacent to the end of a SMT pad may inadvertently come into contact with the header leads. Vias should be placed along the center line of the SMT pad to lessen the chance of pin-to-pin shorts while soldering.

Care should be taken when soldering some transition sockets to target boards. See the related section for specific instructions.

For information on packaging dimensions, please refer to the *Packaging Specification* (DS00049).

GLOSSARY

Terms used in this document:

DFN – Dual Flat No lead

DIP – Dual In-line Package

MQFP – Metric Quad Flat Pack

PDIP – Plastic Dual In-line Package

PLCC – Plastic Leaded Chip Carrier

QFN – Quad Flat No lead

QFP – Quad Flat Pack

SOIC – Small Outline IC

SOT – Small Outline Transistor

SSOP – Shrink Small Outline Package

TQFP – Thin Quad Flat Pack



Table of Contents

Current Sockets

SOIC Transition Socket

XLT08SO-1	
8-lead DIP to 8-lead SOIC	9
XLT08SN-1	
8-lead DIP to 8-lead SOIC (Narrow)	10
XLT14SO-1	
14-lead DIP to 14-lead SOIC	10
XLT18SO-1	
18-lead DIP to 18-lead SOIC	11
XLT20SO1-1	
20-lead DIP to 20-lead SOIC	11
XLT28SO-1	
28-lead DIP to 28-lead SOIC	12

SSOP Transition Socket

XLT14SS-1	
14-lead DIP to 14-lead SSOP	13
XLT20SS-1	
18-lead DIP to 20-lead SSOP	14
XLT20SS1-1	
20-lead DIP to 20-lead SSOP	14
XLT28SS-1	
28-lead DIP to 28-lead SSOP	15
XLT28SS2-1	
28-lead DIP to 28-lead SSOP (PIC16X55/57)	15

PLCC Transition Socket

XLT44L2	
44-lead PLCC (0.050")	16

QFP Transition Socket

XLT44PT3	
44-lead QFP (0.8 mm)	18
XLT64PT5, XLT80PT3	
64/80-lead QFP (0.5 mm)	18
XLT80PT2	
80-lead QFP (0.65 mm)	19

SOT/DFN/QFN Transition Sockets

XLT06SOT	
14-lead DIP to 6-lead SOT-23	22
XLT08DFN2	
14-lead DIP to 8-lead DFN	22

Transition Socket Specification

XLT16QFN1, XLT28QFN3, XLT28QFN4, XLT44QFN2, XLT44QFN3, XLT44QFN4, XLT44QFN5	
Multi-lead DIP to Multi-lead QFN, Top View	23
Multi-lead DIP to Multi-lead QFN, Side View	23
Multi-lead DIP to Multi-lead QFN Cables	23
XLT20QFN-1	
20-lead DIP Adapter Socket	24
20-lead QFN Header (Surface Foot)	24
XLT20QFN-1 Soldering Suggestions	25

Transition Socket Specification

Discontinued Sockets

PDIP Transition Socket

XLT28XP (Discontinued)

28-lead DIP 0.300-inch Male to 0.600-inch Female 26

SOIC Transition Socket

XLT08SO (Discontinued – see XLT08SO-1 or XLT08SN-1)

8-lead DIP to 0.050-inch Adapter Socket 27

8-lead SOIC Header 27

XLT14SO (Discontinued – see XLT14SO-1)

14-lead DIP to 0.050-inch Adapter Socket 28

14-lead SOIC Header 28

XLT18SO (Discontinued – see XLT18SO-1)

18-lead DIP to 0.050-inch Adapter Socket 28

18-lead SOIC Header 28

XLT20SO1 (Discontinued – see XLT20SO1-1)

20-lead DIP to 0.050-inch Adapter Socket 29

20-lead SOIC Header 29

XLT28SO (Discontinued – see XLT28SO-1)

28-lead DIP to 0.050-inch Adapter Socket 29

28-lead SOIC Header 29

SSOP Transition Socket

XLT14SS (Discontinued – see XLT14SS-1)

14-lead DIP to 0.8 mm Adapter Socket 30

14-lead SSOP Header 30

XLT20SS (Discontinued – see XLT20SS-1)

18-lead DIP to 0.8 mm Adapter Socket 31

20-lead SSOP Header 31

XLT20SS1 (Discontinued – see XLT20SS1-1)

20-lead DIP to 0.8 mm Adapter Socket 31

20-lead SSOP Header 31

XLT28SS (Discontinued – see XLT28SS-1)

XLT28SS2 (Discontinued – see XLT28SS2-1)

28-lead DIP to 0.8 mm Adapter Socket 32

28-lead SSOP Header 32

PLCC Transition Socket

XLT68L1, XLT84L1 (Discontinued)

68/84-lead Adapter Socket 34

QFP Transition Socket

XLT44PT (Discontinued – see XLT44PT3)

44-lead QFP to 0.8 mm Adapter Socket 35

XLT64PT1 (Discontinued)

XLT64PT2 (Discontinued – see XLT64PT5)

XLT80PT (Discontinued – see XLT80PT3)

64/80-lead QFP to 0.5 mm Adapter Socket 36

XLT64PT3 (Discontinued – see XLT64PT5)

64-lead QFP to 0.8mm Adapter Socket 36

XLT64PT4 (Discontinued – see XLT64PT5)

64-lead QFP (0.8 mm) 37

Transition Socket Specification

SOT/DFN/QFN Transition Sockets

XLT08DFN (Discontinued – see XLT08DFN2)	
8-lead DIP to 0.025-inch Adapter Socket	39
XLT28QFN (Discontinued – see XLT28QFN4)	
28-lead DIP to 0.025-inch Adapter Socket	39
XLT28QFN2 (Discontinued – see XLT28QFN3)	
18-lead DIP to 0.025-inch Adapter Socket	40
XLT44QFN (Discontinued – see XLT44QFN2)	
40-lead DIP to 0.025-inch Adapter Socket	40
44-lead QFN Header	40

Transition Socket Specification

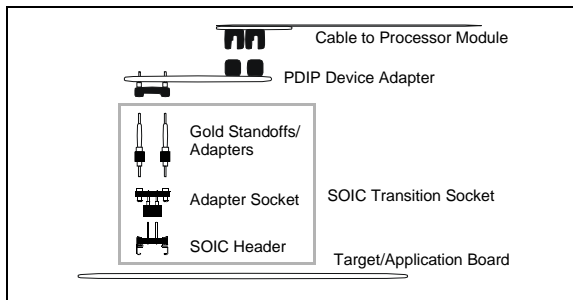
CURRENT SOCKETS

The transition sockets in this section are currently available from Microchip.

SOIC TRANSITION SOCKET

An SOIC transition socket and associated hardware is shown in Figure 1.

FIGURE 1: SOIC TRANSITION SOCKET



There are two components of the SOIC transition socket::

1. Adapter socket that connects to the DIP device adapter
2. SOIC header that is to be soldered down to the target application

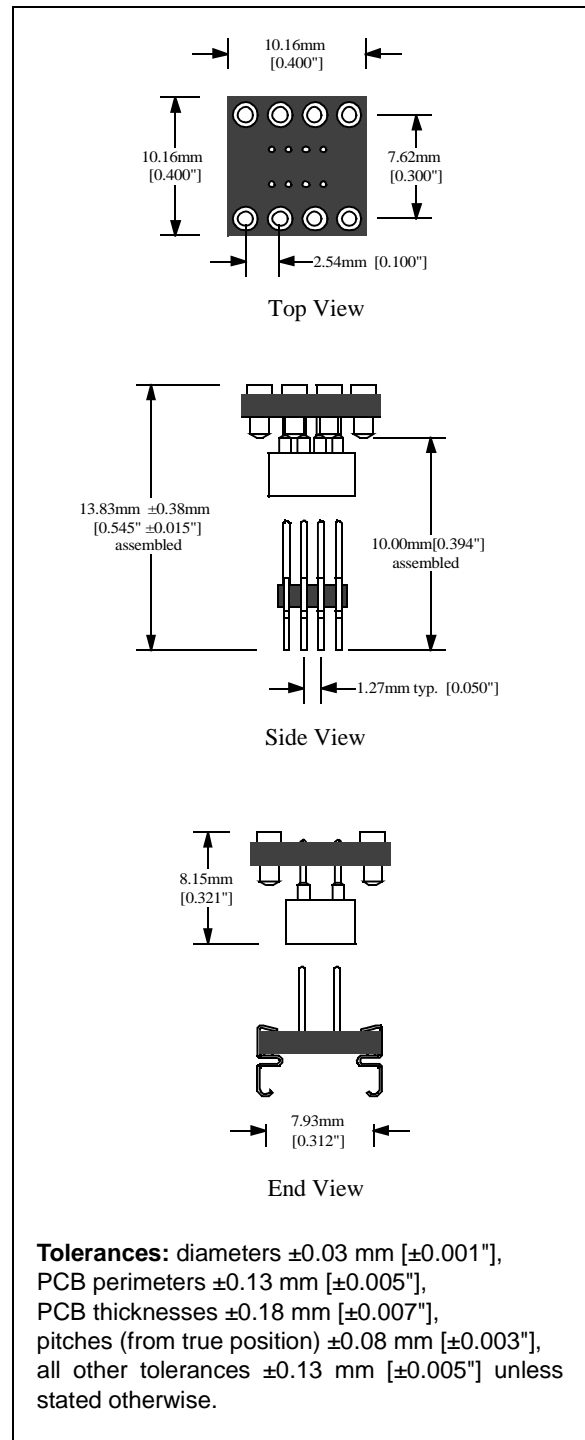
Microchip offers the following SOIC transition sockets:

- XLT08SO-1: One 8-lead adapter socket and one 8-lead SOIC header (5.28mm body size)
- XLT08SN-1: One 8-lead DIP adapter socket and one 8-lead SOIC header (3.9mm body size)
- XLT14SO-1: One 14-lead DIP adapter socket and one 14-lead SOIC header
- XLT18SO-1: One 18-lead DIP adapter socket and one 18-lead SOIC header
- XLT20SO1-1: One 20-lead DIP adapter socket and one 20-lead SOIC header
- XLT28SO-1: One 28-lead DIP adapter socket and one 28-lead SOIC header

See the drawings in this section for layout dimensions.

XLT08SO-1

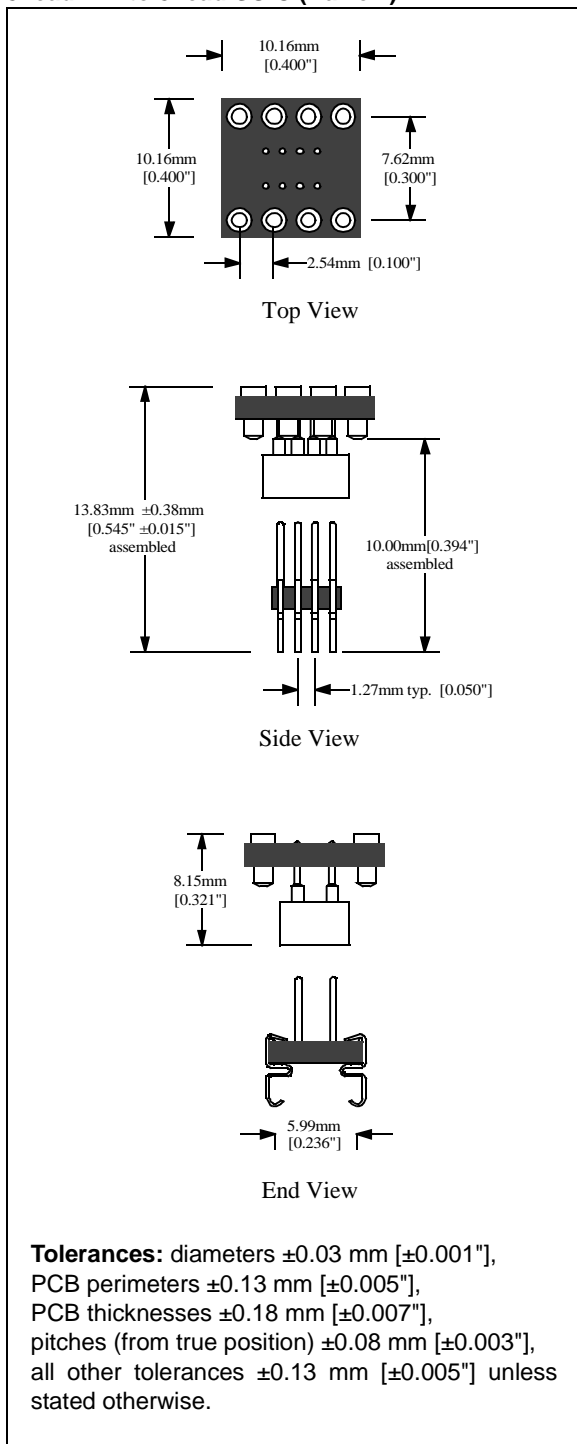
8-lead DIP to 8-lead SOIC



Transition Socket Specification

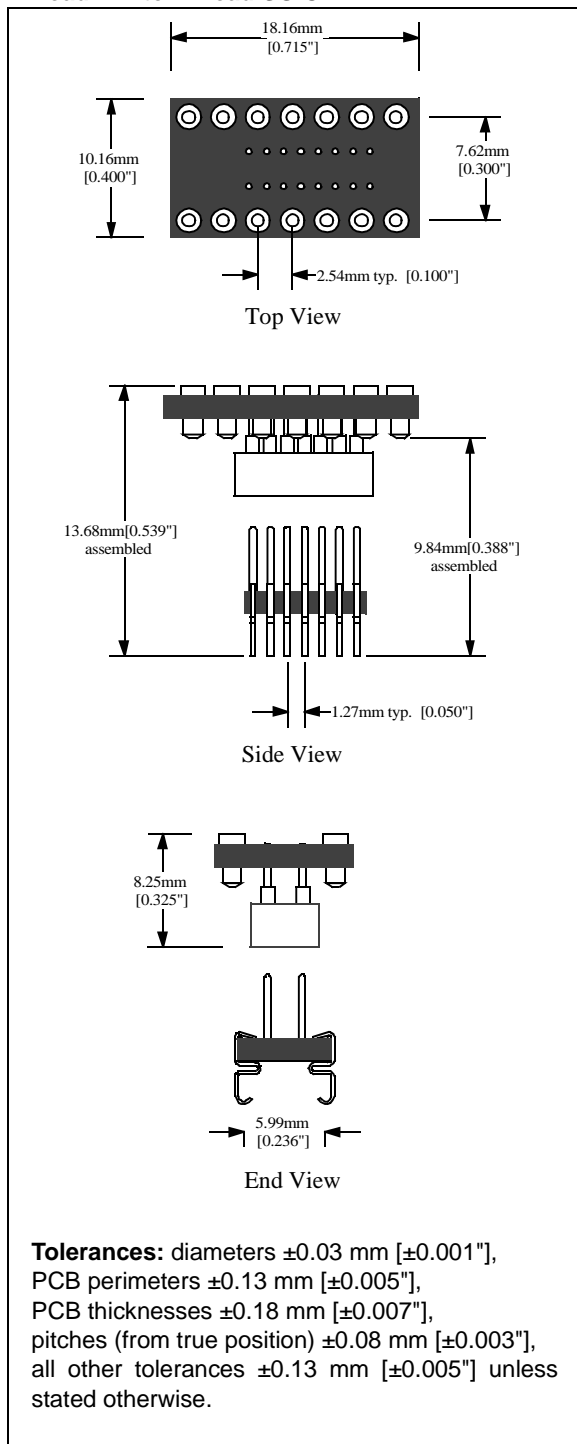
XLT08SN-1

8-lead DIP to 8-lead SOIC (Narrow)



XLT14SO-1

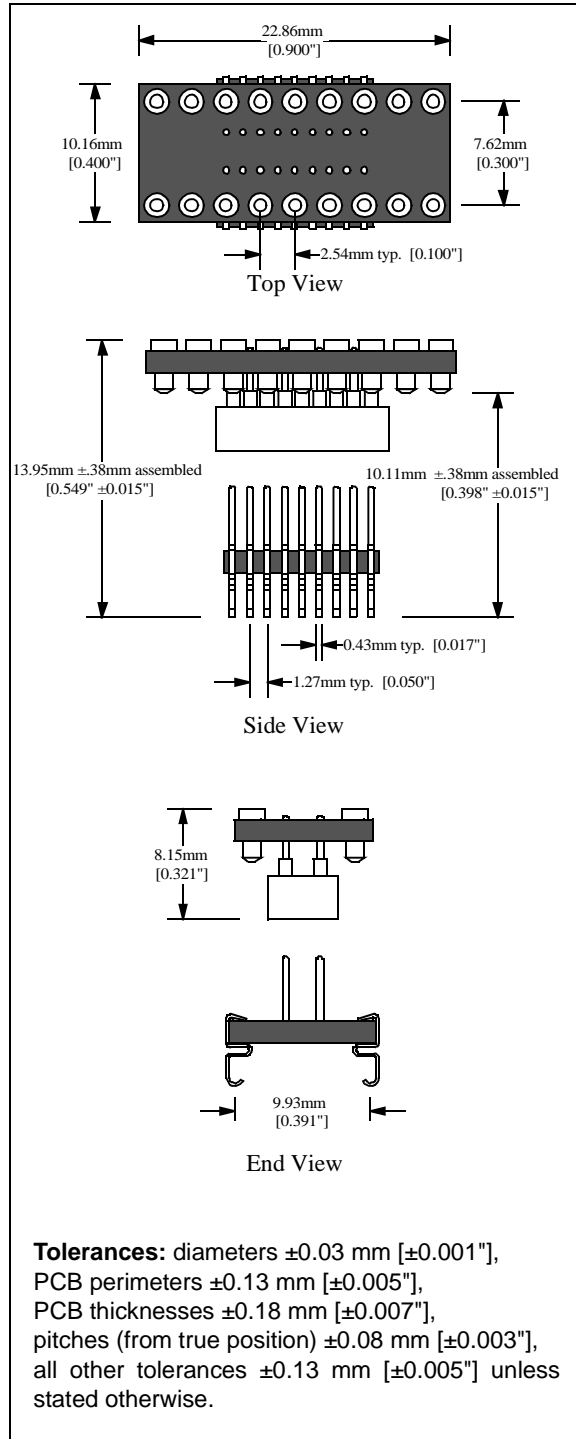
14-lead DIP to 14-lead SOIC



Transition Socket Specification

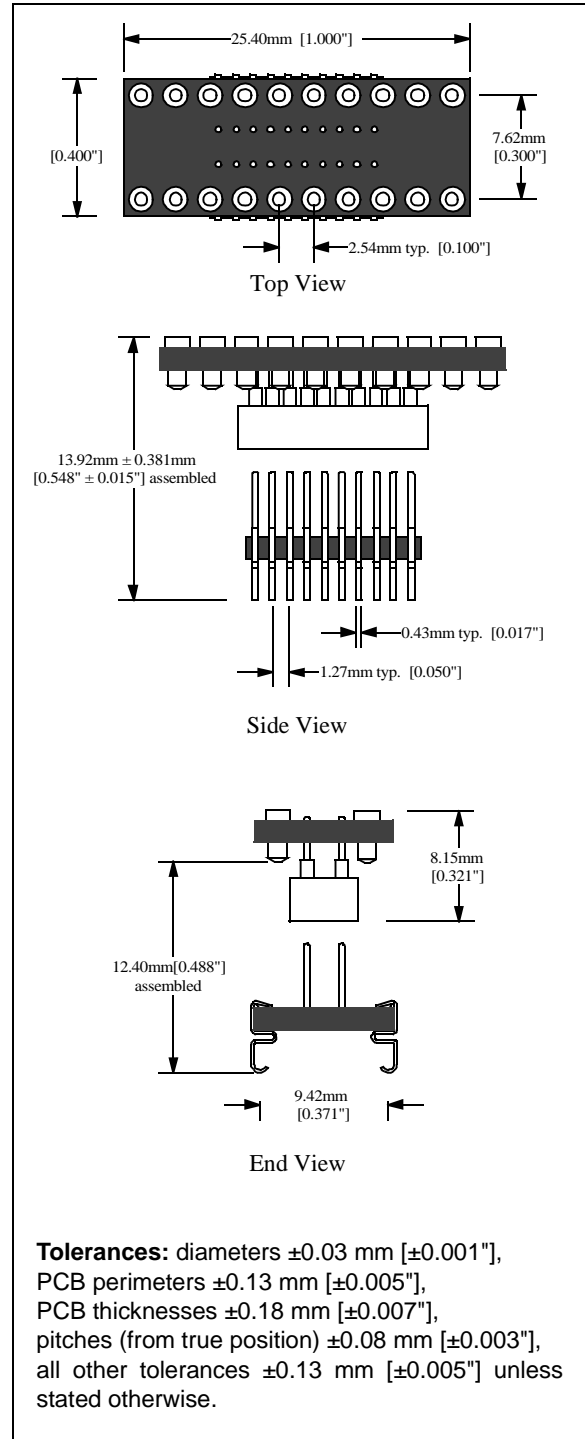
XLT18SO-1

18-lead DIP to 18-lead SOIC



XLT20SO1-1

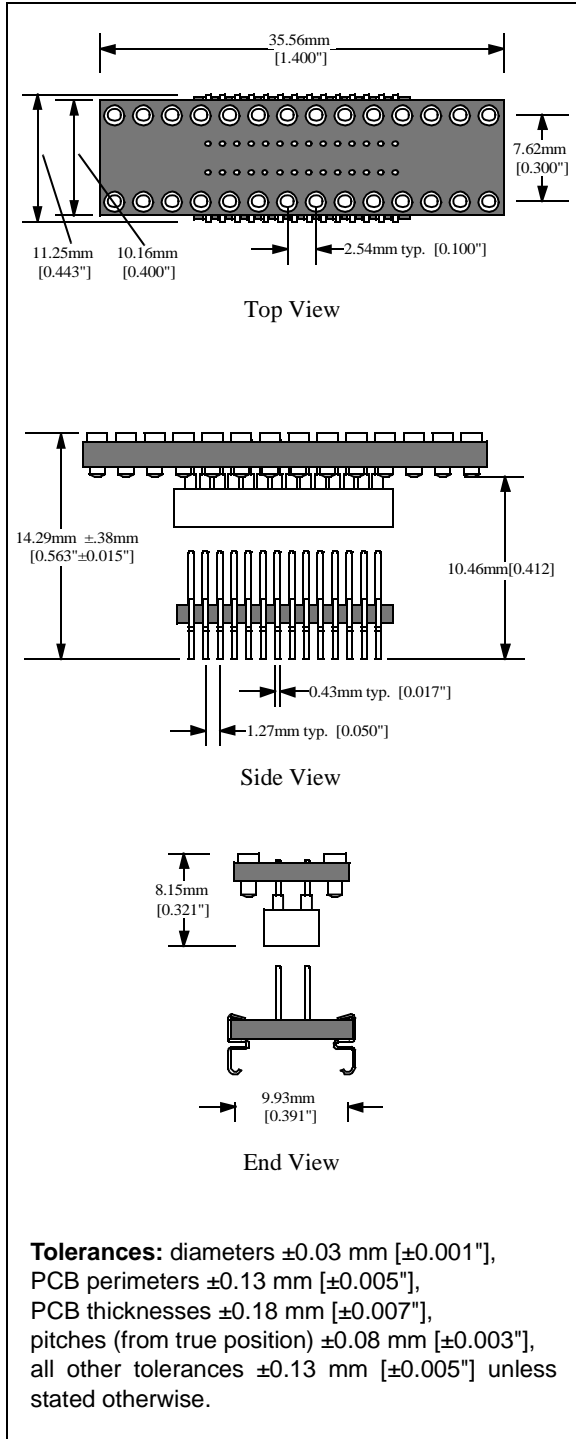
20-lead DIP to 20-lead SOIC



Transition Socket Specification

XLT28SO-1

28-lead DIP to 28-lead SOIC

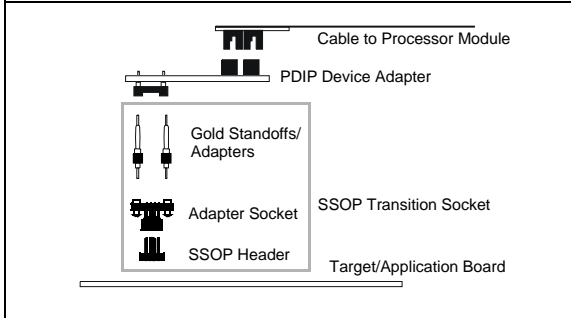


Transition Socket Specification

SSOP TRANSITION SOCKET

An SSOP transition socket and associated hardware is shown in Figure 2.

FIGURE 2: SSOP TRANSITION SOCKET



The SSOP transition sockets are similar to the SOIC transition sockets. There are two parts to the SSOP transition socket:

1. Adapter socket that connects to the DIP device adapter.
2. SSOP header that gets soldered down to the target application.

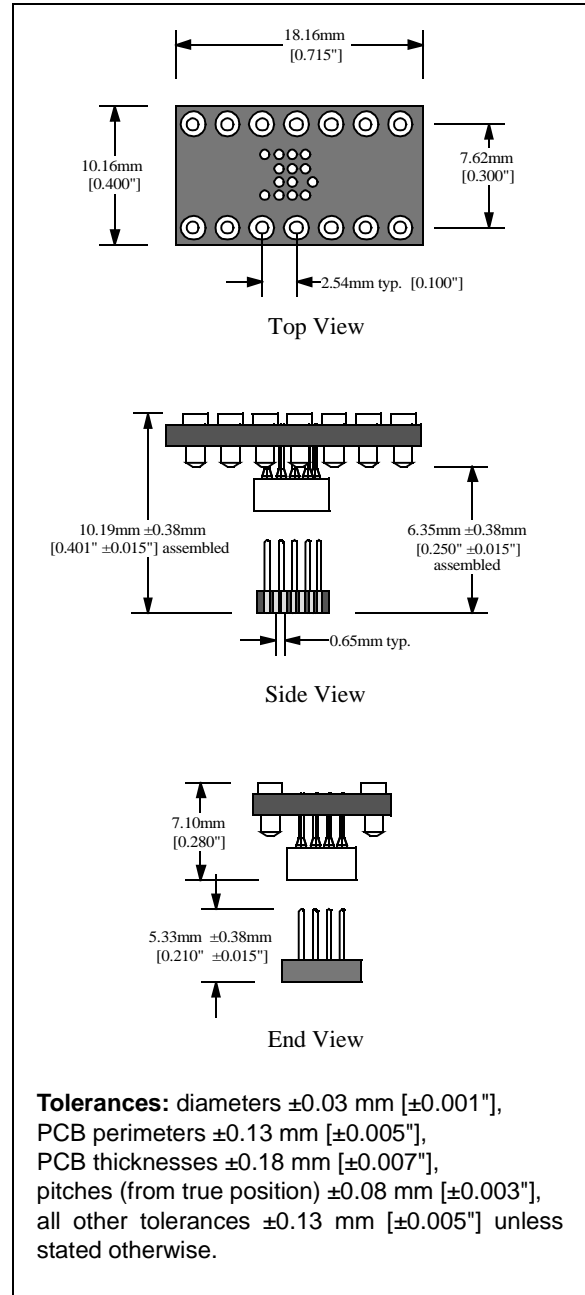
Microchip offers the following SSOP transition sockets:

- XLT14SS-1: One 14-lead DIP adapter socket and one 14-lead SSOP header
- XLT20SS-1: One 18-lead DIP adapter socket and one 20-lead SSOP header
- XLT20SS1-1: One 20-lead DIP adapter socket and one 20-lead SSOP header
- XLT28SS-1: One 28-lead DIP adapter socket and one 28-lead SSOP header
- XLT28SS2-1: One 28-lead DIP adapter socket and one 28-lead SSOP header (PIC16X55/57)

See the drawings in this section for layout dimensions and clearances for tall components.

XLT14SS-1

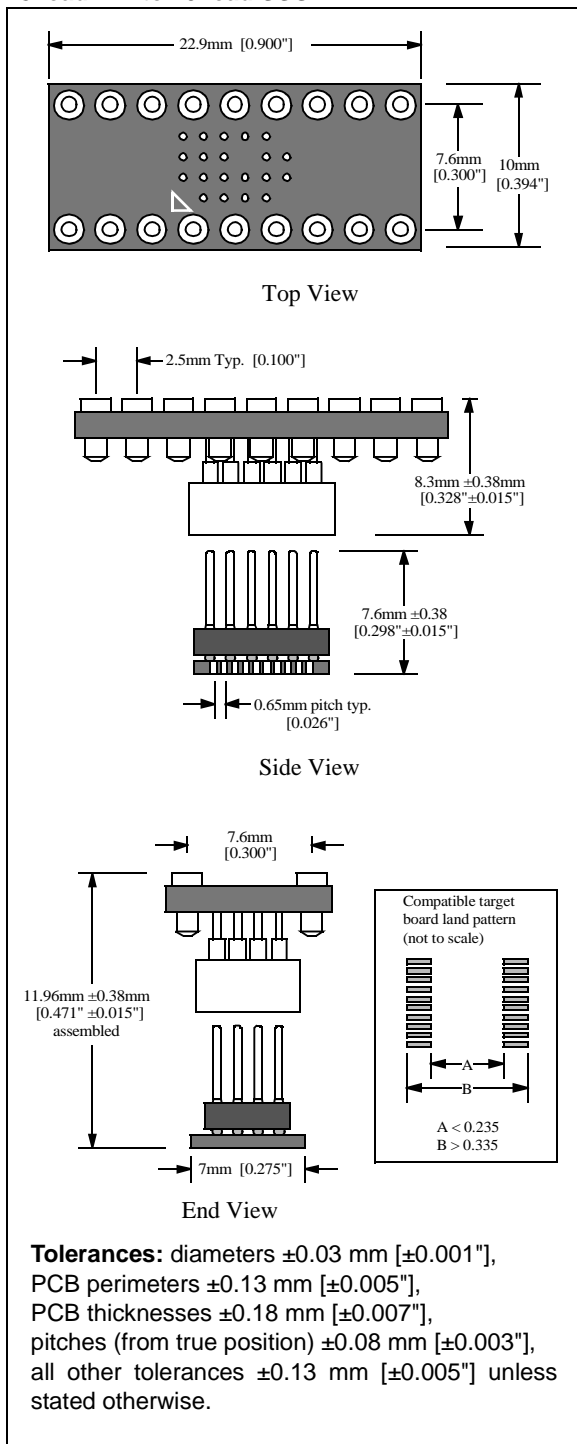
14-lead DIP to 14-lead SSOP



Transition Socket Specification

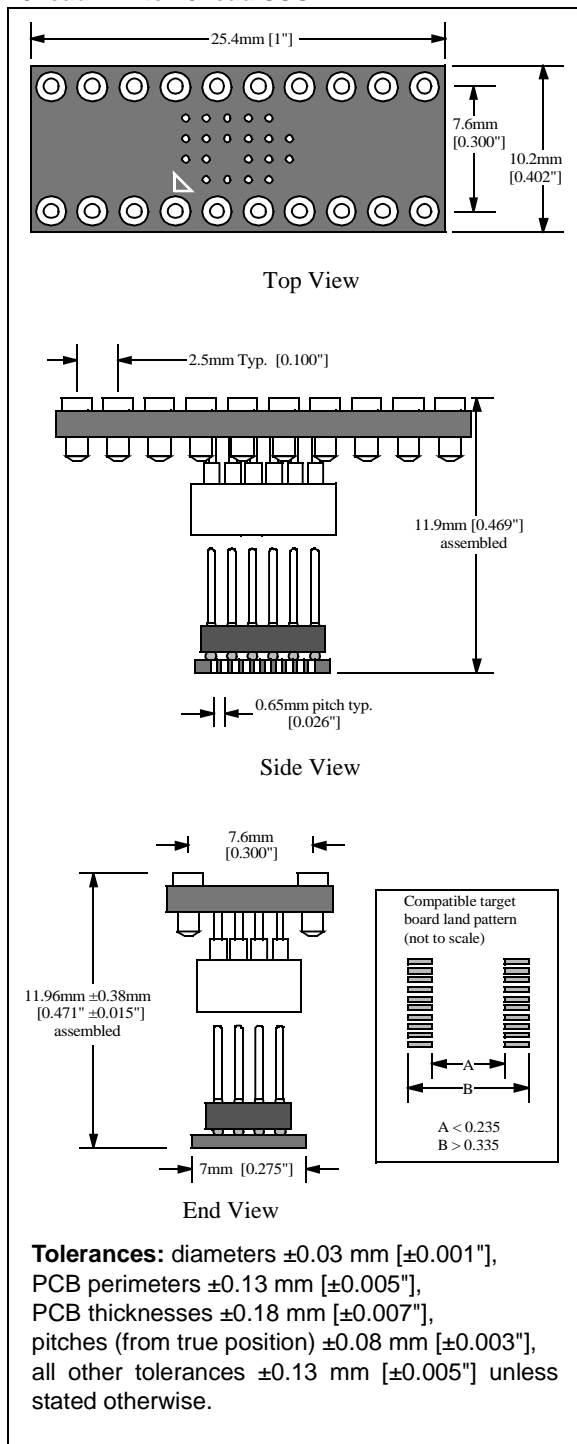
XLT20SS-1

18-lead DIP to 20-lead SSOP



XLT20SS1-1

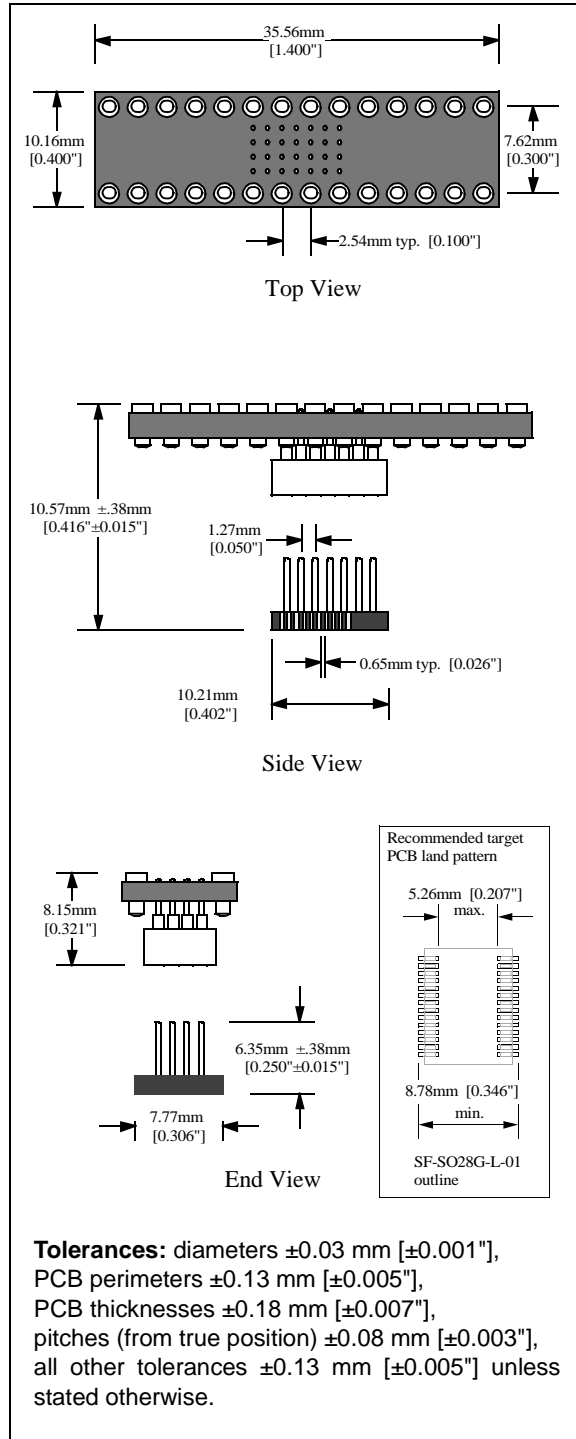
20-lead DIP to 20-lead SSOP



Transition Socket Specification

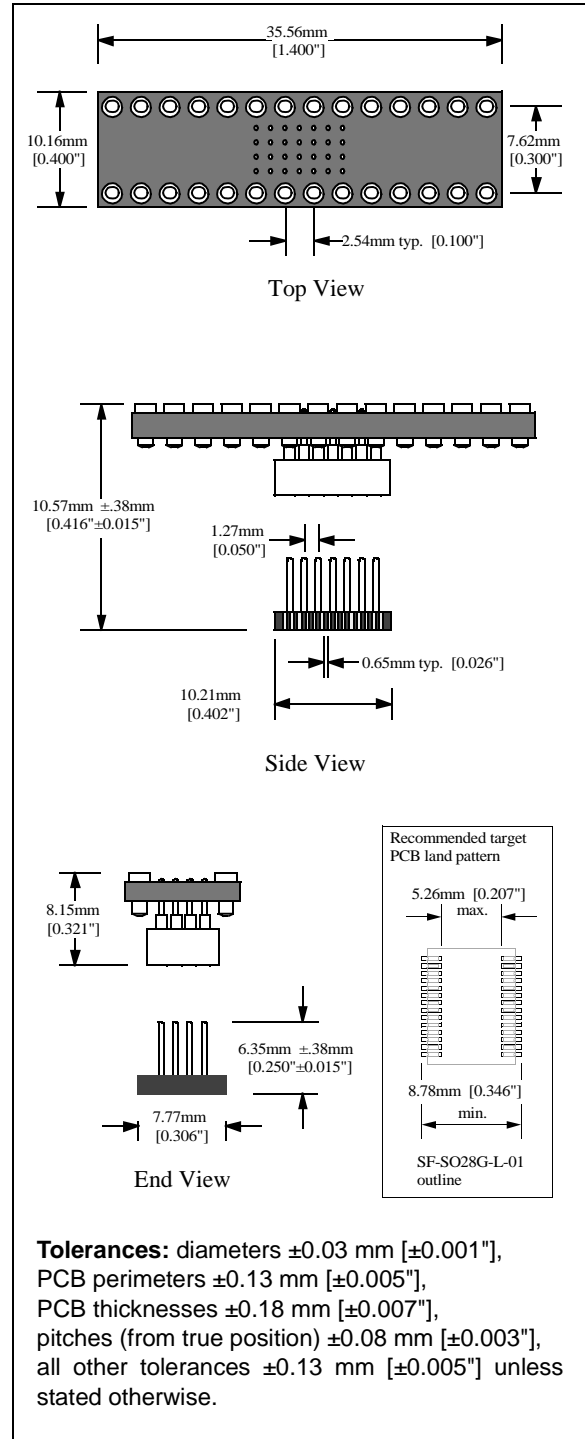
XLT28SS-1

28-lead DIP to 28-lead SSOP



XLT28SS2-1

28-lead DIP to 28-lead SSOP (PIC16X55/57)

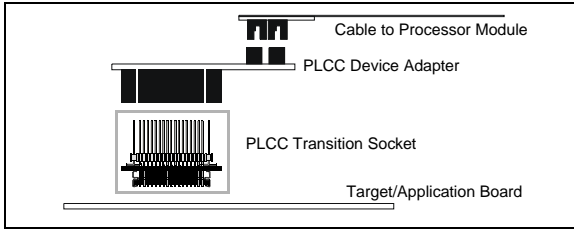


Transition Socket Specification

PLCC TRANSITION SOCKET

A PLCC transition socket and associated hardware is shown in Figure 3.

FIGURE 3: PLCC TRANSITION SOCKET



The PLCC transition socket is required for use along with the PLCC device adapters. The DAF18-1 device adapter is equipped with eight socket strips that interface with one of two transition sockets. The DAF18-3 device adapter is equipped with four socket strips that interface with one transition socket.

The PLCC transition sockets are designed with a threaded insert in the center of the footprint so that a 4/40 screw can securely fasten the transition socket to the device adapter.

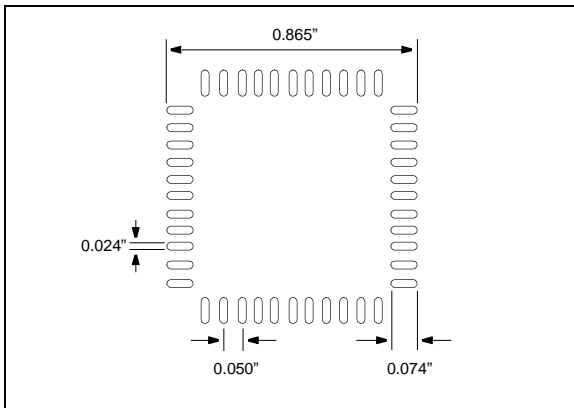
The PLCC transition sockets are designed to be soldered to the target PCB PLCC surface mount pattern or inserted into a PLCC socket on the target PCB.

Note: To avoid solder bridging, do not place vias within 0.025-inch of the PLCC footprint. Also, any vias near the PLCC should be directly on the centerline of the pad.

Microchip offers the following PLCC transition sockets:

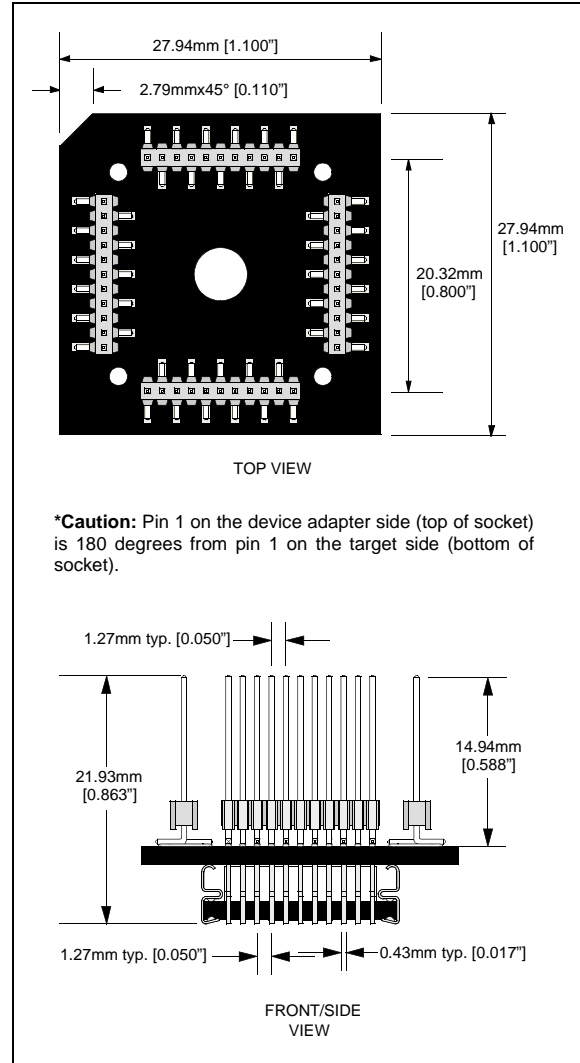
- XLT44L2: One 44-lead PLCC transition socket

RECOMMENDED PCB LAYOUT



XLT44L2

44-lead PLCC (0.050")

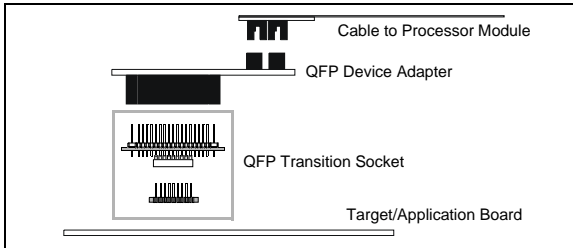


Transition Socket Specification

QFP TRANSITION SOCKET

QFP (MQFP, TQFP, PQFP) transition sockets and associated hardware are shown below.

FIGURE 4: QFP TRANSITION SOCKET



The QFP transition socket is required for use along with the QFP device adapter. The device adapter is equipped with four socket strips that interface with the transition socket.

Note: To avoid solder bridging, do not place vias within 0.025-inch of the QFP footprint. Also, any vias near the QFP should be directly on the centerline of the pad.

There are two parts to the QFP transition socket:

1. Adapter socket that connects to the QFP device adapter
2. QFP header that gets soldered down to the target application

Microchip offers the following QFP transition sockets:

- XLT44PT3: One 44-lead QFP adapter socket and one 44-lead QFP header (0.8 mm)
- XLT64PT5: One 64-lead QFP adapter socket and one 64-lead QFP header (0.5 mm)
- XLT80PT2: One 80-lead QFP adapter socket and one 80-lead QFP header (0.65 mm)
- XLT80PT3: One 80-lead QFP adapter socket and one 80-lead QFP header (0.5 mm)

See the drawings in this section for layout dimensions and clearances for tall components.

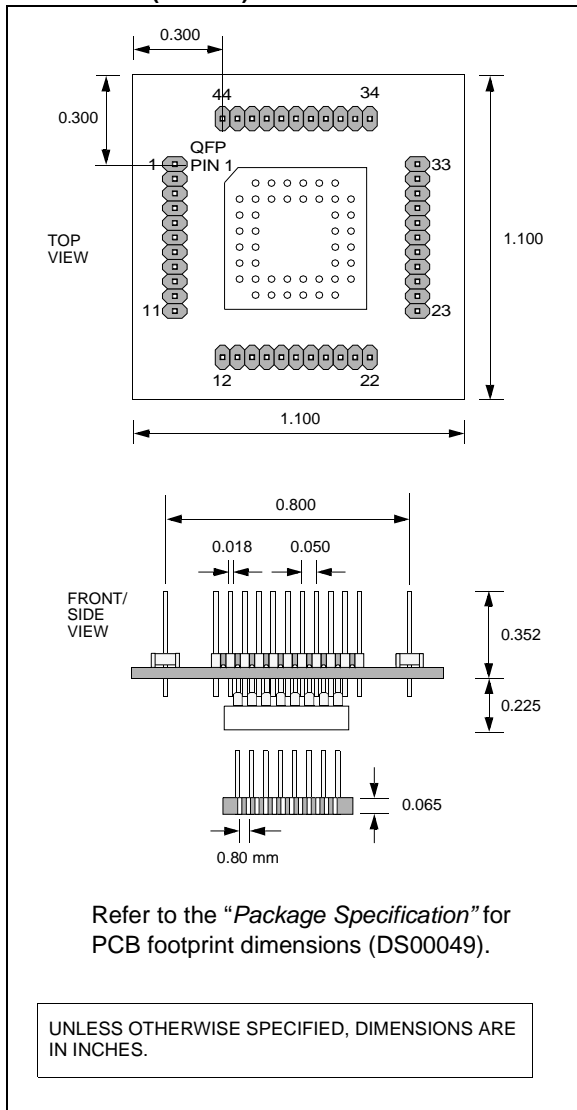
QFP TRANSITION SOCKET SOLDERING TIPS

- Use controlled soldering iron tip temperatures between 300°C and 325°C (570°F to 615°F)
- If possible, use a PACE mini wave soldering iron tip or an equivalent tip design.
- Plan to solder one (1 of 4) side first, then the opposite side, then the remaining two sides.
- Soldering iron tip movement should be in the direction of the leads (backward and forward), not across the leads; dragging the tip across the leads may cause lead damage.
- Use generous amounts of soldering flux to aid in the solder flow action.

Transition Socket Specification

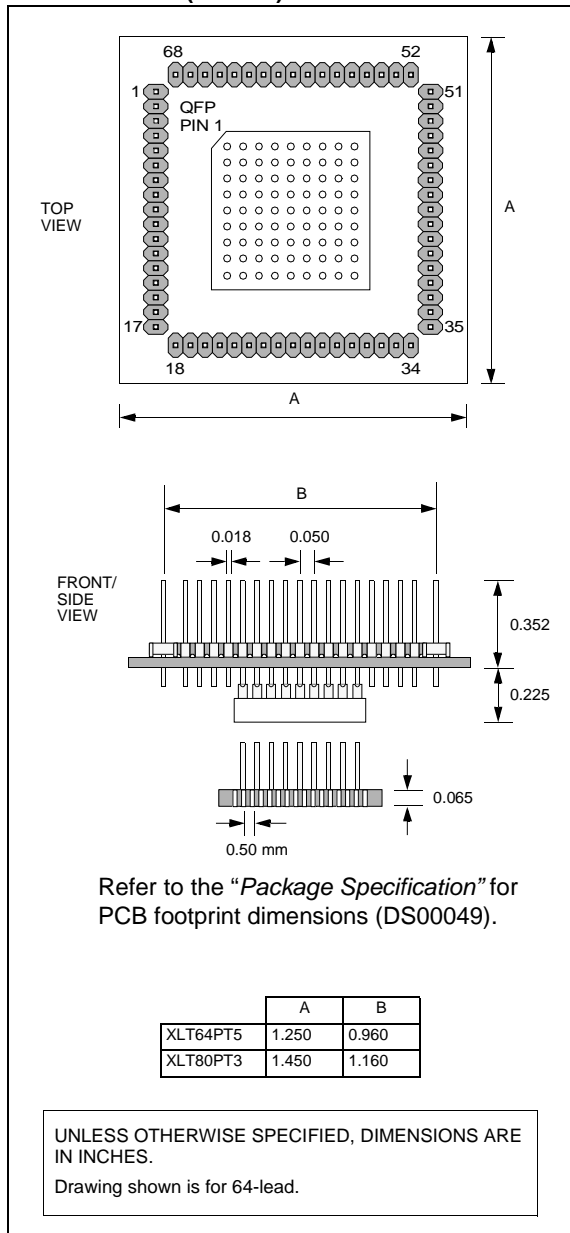
XLT44PT3

44-lead QFP (0.8 mm)



XLT64PT5, XLT80PT3

64/80-lead QFP (0.5 mm)



Transition Socket Specification

XLT80PT2

80-lead QFP (0.65 mm)

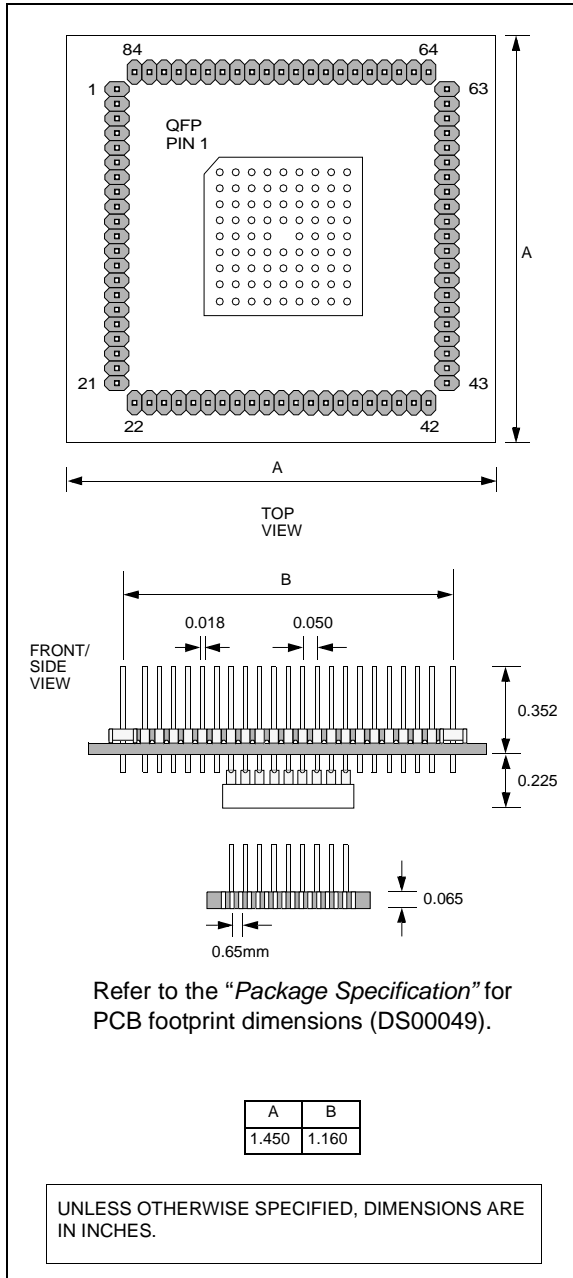


TABLE 1: DVA/DAF INTERFACE SPECIFICATION FOR QFP PACKAGES

Socket	Package Style*	DVA/DAF Interface Specification**
XLT44PT3	44PT TQFP 44PQ MQFP 44KW PQFP	DVA-44PL
XLT64PT5	64PT	DVA-68PL
XLT80PT2	80PF	DVA-84PL
XLT80PT3		

* Refer to the "Package Specification" for PCB footprint dimensions (DS00049).
 ** Refer to the processor module and device adapter specification for interface and dimensions to DVA/DAF (ICE 2000: "MPLAB[®] ICE 2000 Processor Module and Device Adapter Specification" (DS51140); ICE 4000: "MPLAB[®] ICE 4000 Processor Module and Device Adapter Specification" (DS51298)).

Transition Socket Specification

SOT/DFN/QFN TRANSITION SOCKETS

SOT/DFN/QFN transition sockets and associated hardware are shown below.

FIGURE 5: SOT TRANSITION SOCKET WITH CABLE

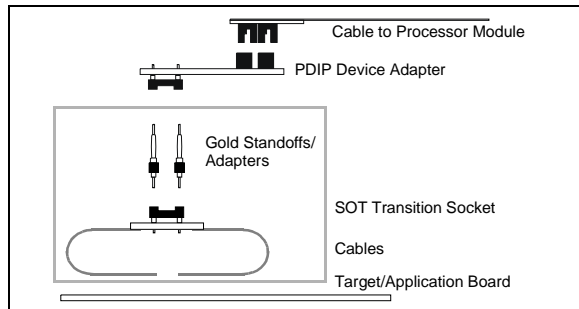


FIGURE 6: DFN TRANSITION SOCKET WITH CABLE

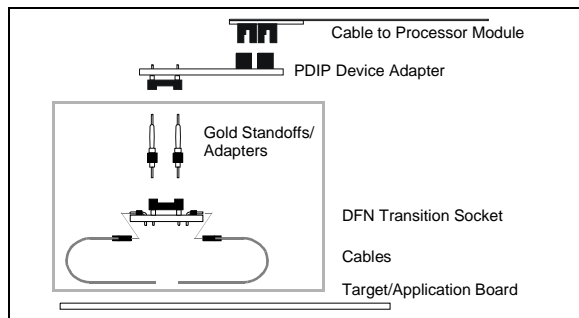


FIGURE 7: QFN TRANSITION SOCKET WITH CABLE

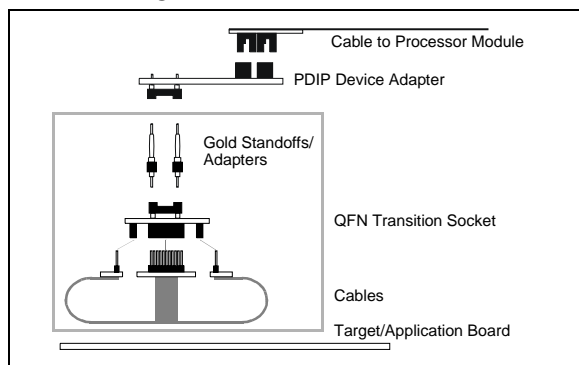
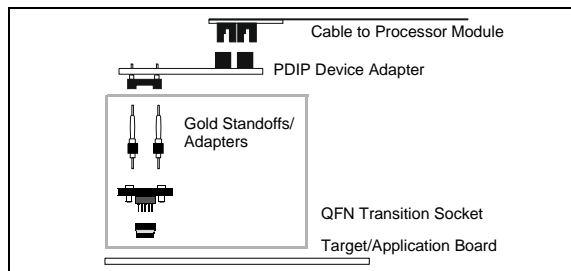


FIGURE 8: QFN TWO-PART TRANSITION SOCKET



Two-part transition sockets consist of:

1. Adapter socket that connects to the DIP device adapter
2. QFN header that is to be soldered down to the target application

Microchip offers the following SOT/DFN/QFN transition sockets:

- XLT06SOT: One 14-lead DIP to 6-lead SOT-23 transition socket with cable
- XLT08DFN2: One 14-lead DIP to 8-lead DFN transition socket with cable
- XLT16QFN1: One 14-lead DIP to 16-lead QFN transition socket with cable
- XLT20QFN-1: One 20-lead DIP adapter socket and one 20-lead QFN header
- XLT28QFN3: One 18-lead DIP to 28-lead QFN transition socket with cable
- XLT28QFN4: One 28-lead DIP to 28-lead QFN transition socket with cable
- XLT44QFN2: One 40-lead DIP to 44-lead QFN transition socket with cable
- XLT44QFN3: One 28-lead DIP to 44-lead QFN transition socket with cable
- XLT44QFN4: One 28-lead DIP to 44-lead QFN transition socket with cable
- XLT44QFN5: One 18-lead DIP to 44-lead QFN transition socket with cable

See the drawings in this section for layout dimensions.

Transition Socket Specification

RECOMMENDED INSTALLATION OF TRANSITION SOCKETS WITH CABLES

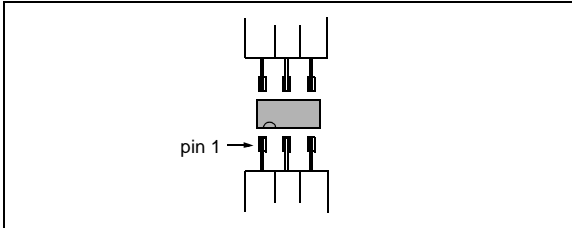
For transition sockets that use a cable, follow these instructions for installing your transition socket on the target board.

PCB Layout Considerations:

Make sure you leave enough room on the PCB to accommodate the cable, i.e., space your target pads for each device far enough apart so that the cable from one pad group will not interfere with another pad group.

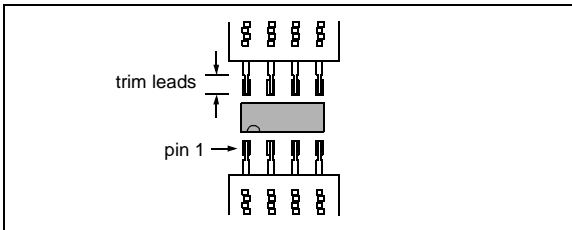
6-Pin SOT Solder Instructions:

1. Remove protective cable covering from end of cable.
2. Position cables on target board (see below). Tape down to prevent movement.
3. Solder each lead to target pad.
4. Remove tape and clean.



8-Pin DFN Solder Instructions:

1. Prepare leads by trimming narrowest portion to 0.10-inch maximum in length (see below).
2. Position cables on target board (see below). Tape down to prevent movement.
3. Solder each lead to target pad.
4. Remove tape and clean.



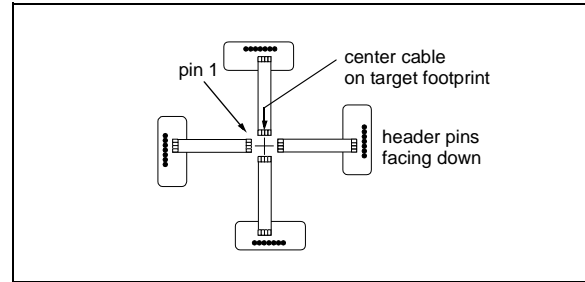
8-Pin DFN Assembly Instructions:

1. Start with cable associated with pin 1.
2. Fold cable up and over, forming a radius.
3. Mate with the header on the side of the transition socket assembly, making sure pin 1 mates with the pin labeled "DFN Pin 1".
4. Fold over and mate the other cable.

16-Pin QFN Solder Instructions:

1. Remove protective cable jacket from stripped end of cable.
2. Lay out the four cables in a "+" pattern (see below).

3. Center each cable on the footprint (see below). Tape down each cable to prevent movement.
4. Solder each lead to target pad.
5. Remove tape and clean

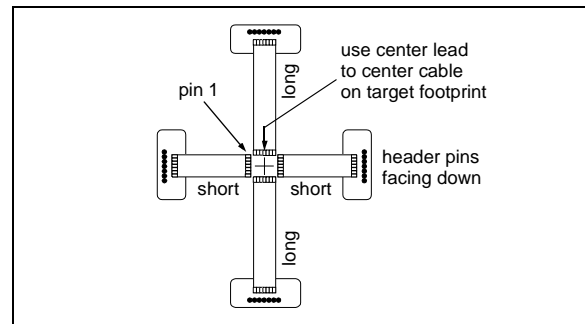


16-Pin QFN Assembly Instructions:

1. Start with cable associated with pin 1.
2. Fold cable up and over, forming a radius. Header pins will now be facing upwards.
3. Mate with the socket on the underside of the transition socket assembly, making sure pin 1 mates with the pin labeled "QFN Pin 1".
4. Fold over and mate the other cables.

28/44-Pin QFN Solder Instructions:

1. Remove protective cable jacket from stripped end of cable.
2. Lay out with long cables opposing each other and short cables opposing each other (see below).
3. Place center lead (6th lead for 44-pin, 4th lead for 28-pin) on center target pad to center each cable on the footprint (see below). Tape down each cable to prevent movement.
4. Solder each lead to target pad.
5. Remove tape and clean



28/44-Pin QFN Assembly Instructions:

1. Start with cable associated with pin 1.
2. Fold cable up and over, forming a radius. Header pins will now be facing upwards.
3. Mate with the socket on the underside of the transition socket assembly, making sure pin 1 mates with the pin labeled "QFN Pin 1".
4. Fold over and mate the other cables.

Transition Socket Specification

RECOMMENDED PCB LAYOUT

The recommended target board footprint layout for different pin-counts is shown here.

FIGURE 9: 6-PIN SOT, 8-PIN DFN

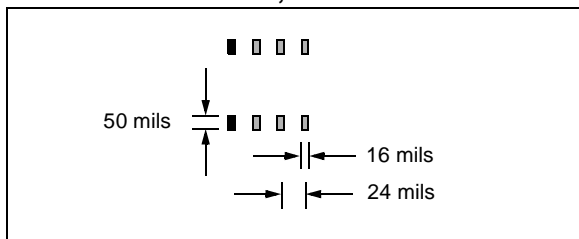


FIGURE 10: 16-PIN QFN

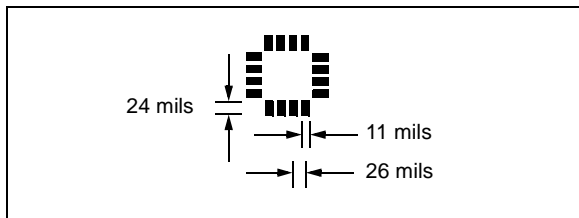


FIGURE 11: 20-PIN QFN

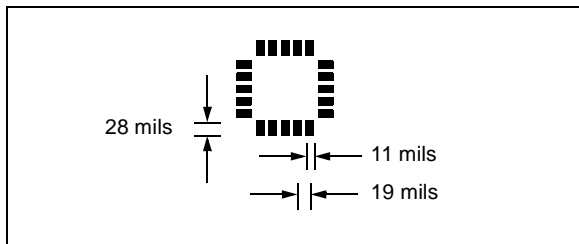


FIGURE 12: 28-PIN QFN

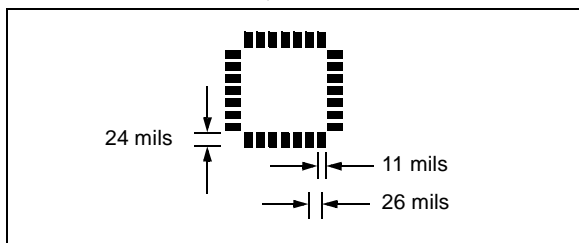
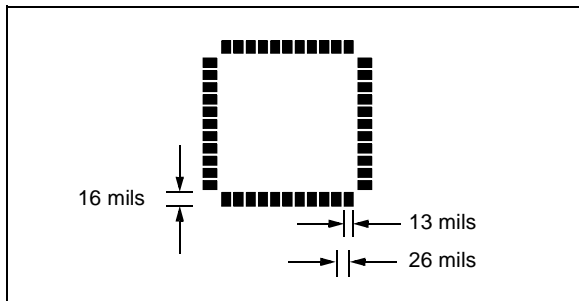
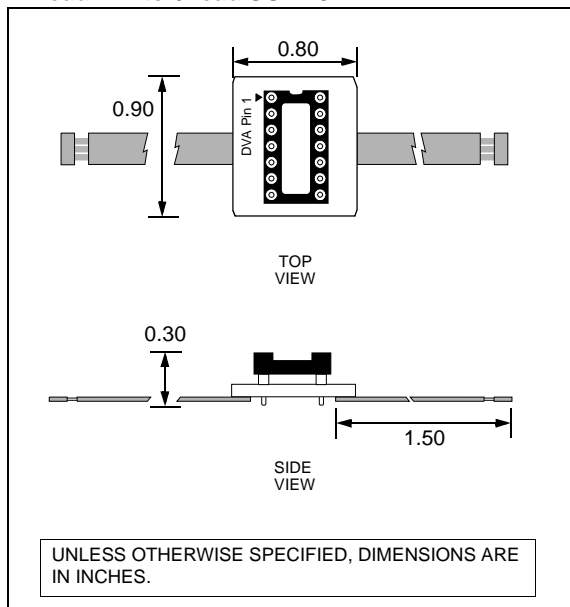


FIGURE 13: 44-PIN QFN



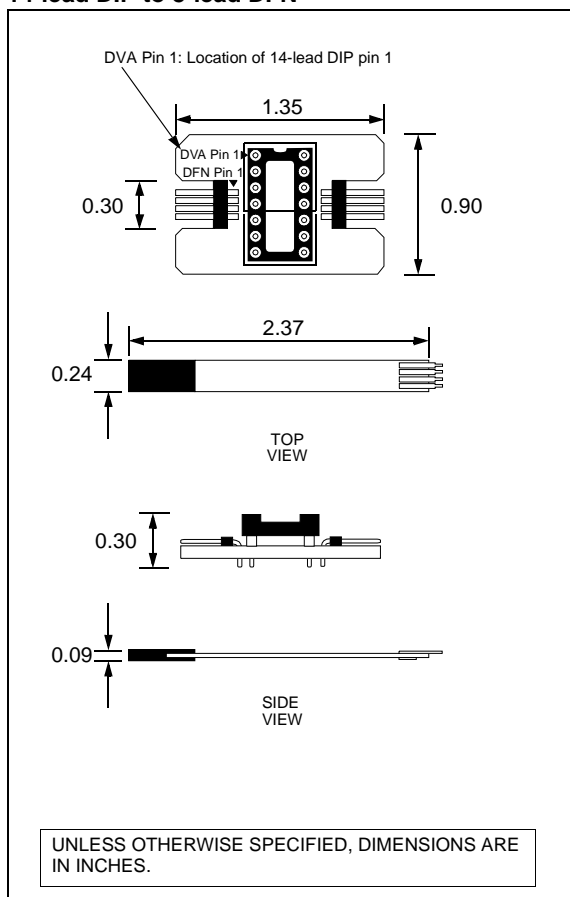
XLT06SOT

14-lead DIP to 6-lead SOT-23



XLT08DFN2

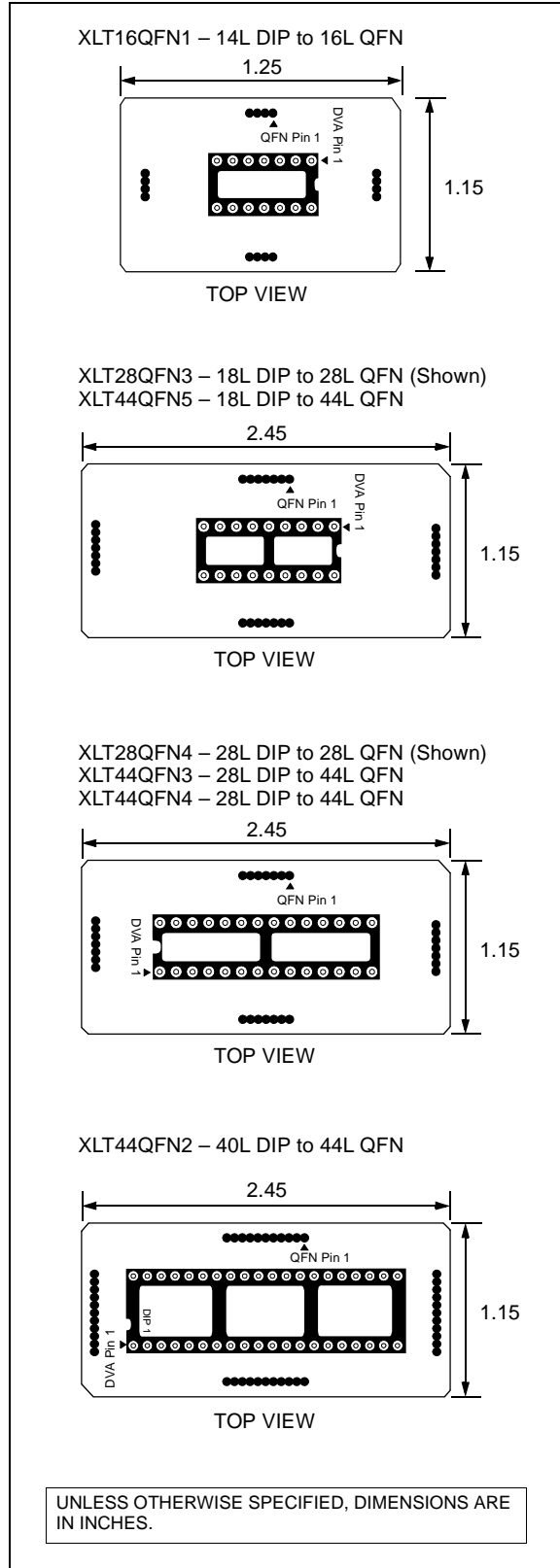
14-lead DIP to 8-lead DFN



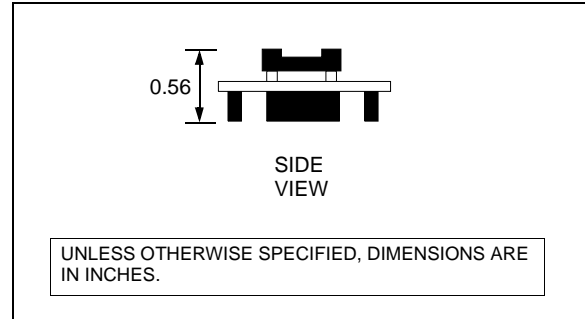
Transition Socket Specification

**XLT16QFN1, XLT28QFN3, XLT28QFN4,
XLT44QFN2, XLT44QFN3, XLT44QFN4,
XLT44QFN5**

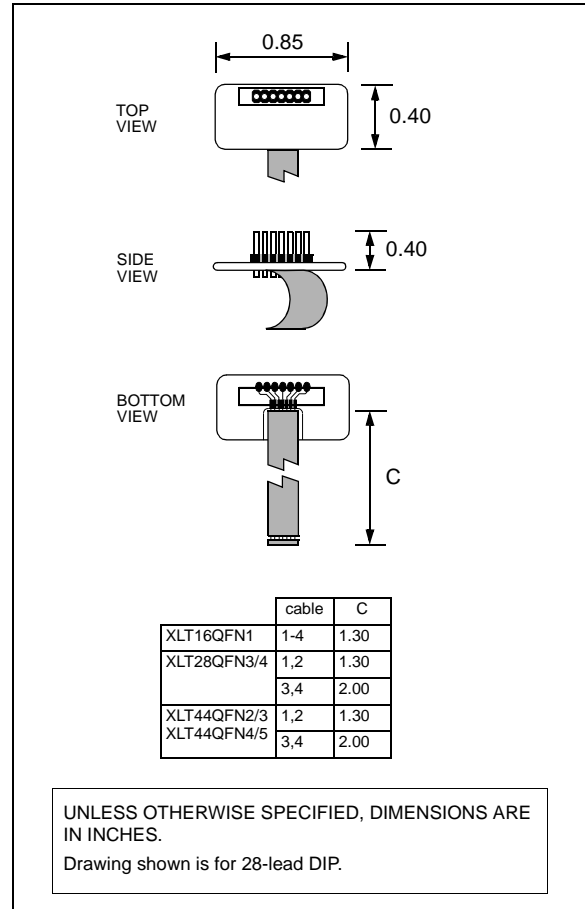
Multi-lead DIP to Multi-lead QFN, Top View



Multi-lead DIP to Multi-lead QFN, Side View



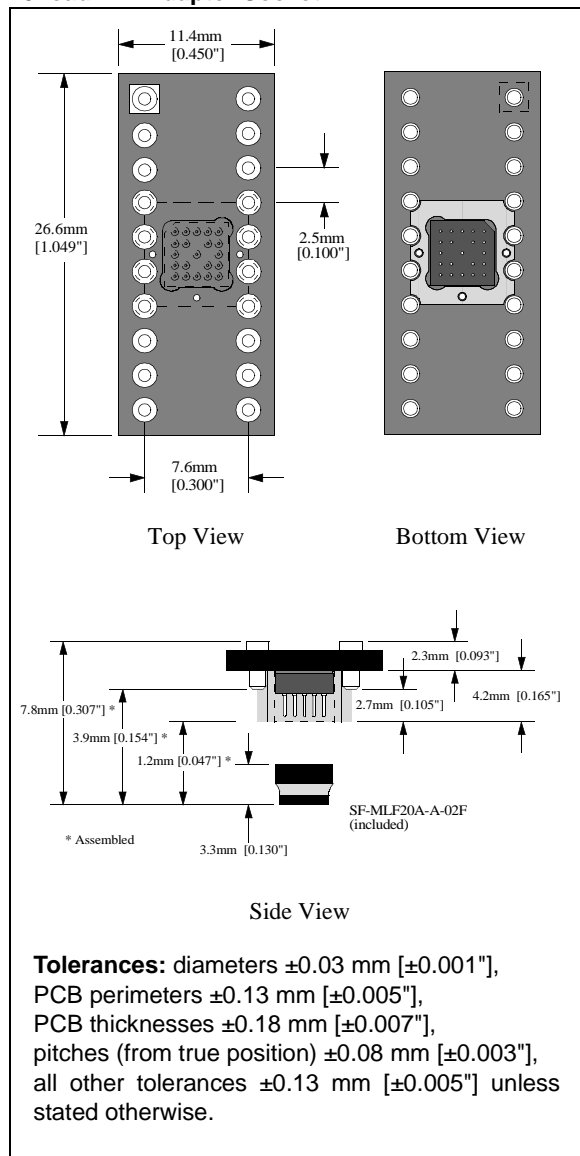
Multi-lead DIP to Multi-lead QFN Cables



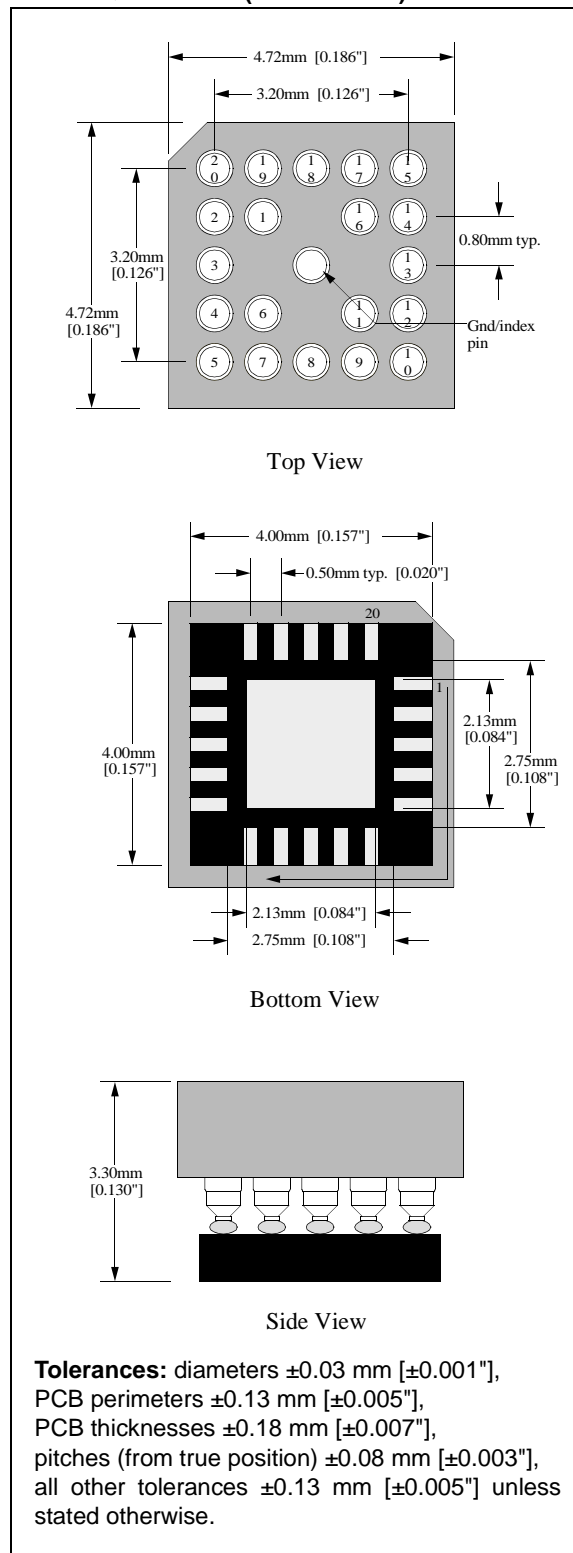
Transition Socket Specification

XLT20QFN-1

20-lead DIP Adapter Socket



20-lead QFN Header (Surface Foot)



Transition Socket Specification

XLT20QFN-1 Soldering Suggestions

This socket is difficult to solder since the device pins are not exposed, but embedded, into the socket's Surface Foot (SF).

1. To start, add tack flux to the target land pattern.
2. Visually align the QFN SF with the target land pattern. Then solder two opposite SF pins to the target lands so that the SF does not move around.
3. Finish soldering the rest of the SF pins.
4. If the SF has a middle ground pin, feed solder through the bottom side of the target board via holes. This will connect the center QFN SF pin to the target board.
5. Check each solder connection on the QFN SF pins.

You are now ready to attach the QFN header to the SF.

Transition Socket Specification

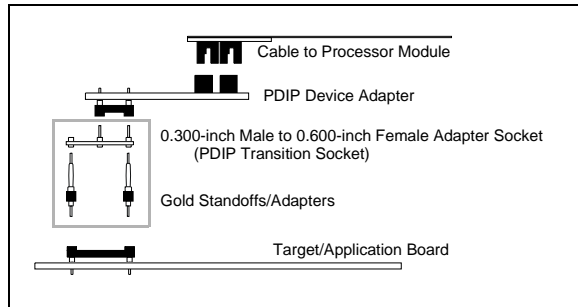
DISCONTINUED SOCKETS

The transition sockets in this section are discontinued and may no longer be ordered from Microchip. They are kept in this document as a reference for customers who still have these sockets.

PDIP TRANSITION SOCKET

A PDIP transition socket and associated hardware is shown in Figure 1.

FIGURE 1: PDIP TRANSITION SOCKET



The PDIP transition socket is a 0.300-inch Male to 0.600-inch Female adapter socket.

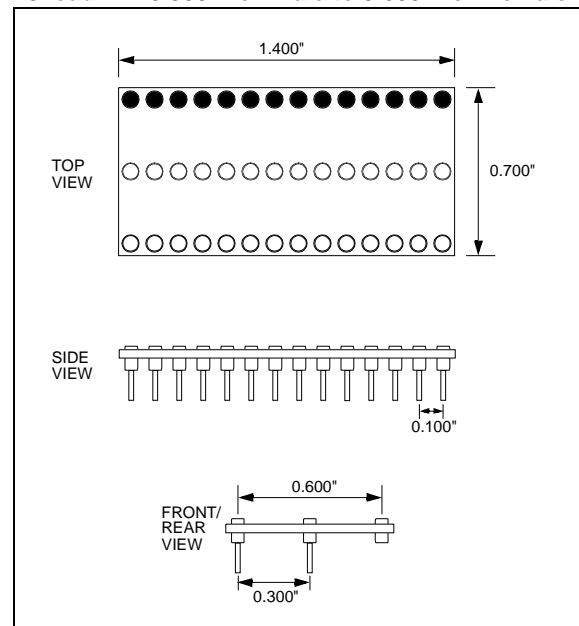
Microchip offers the following PDIP transition socket:

- XLT28XP: One 28-lead DIP transition socket and two 28-lead gold standoffs

See the drawings in this section for layout dimensions.

XLT28XP (Discontinued)

28-lead DIP 0.300-inch Male to 0.600-inch Female

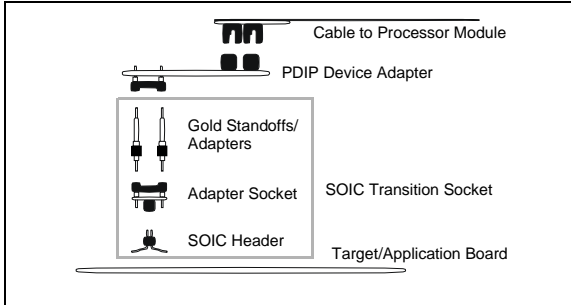


Transition Socket Specification

SOIC TRANSITION SOCKET

An SOIC transition socket and associated hardware is shown in Figure 2.

FIGURE 2: SOIC TRANSITION SOCKET



There are two components of the SOIC transition socket:

1. Adapter socket that connects to the PDIP device adapter
2. SOIC header that is to be soldered down to the target application

The following SOIC transition sockets have been discontinued:

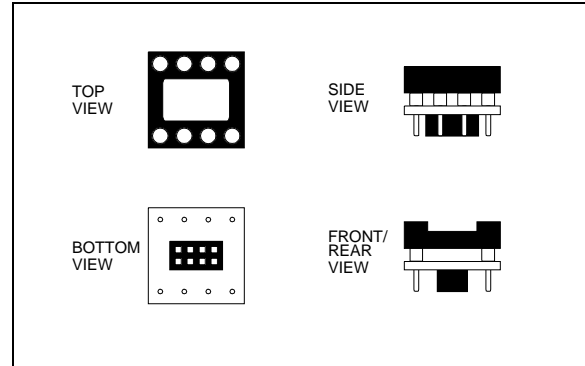
- XLT08SO: One adapter socket and three 8-lead SOIC headers
- XLT14SO: One adapter socket and three 14-lead SOIC headers
- XLT18SO: One adapter socket and three 18-lead SOIC headers
- XLT20SO1: One adapter socket and three 20-lead SOIC headers
- XLT28SO: One adapter socket and three 28-lead SOIC headers

See the drawings in this section for layout dimensions.

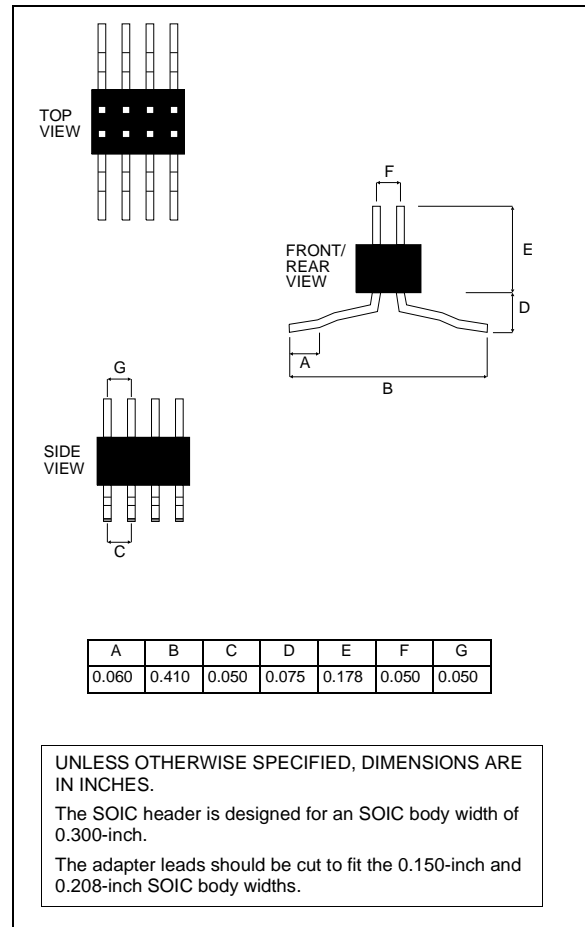
Note: The SOIC header is designed for SOIC body width of 0.300-inch. The adapter leads should be cut to fit the 0.150-inch and 0.208-inch SOIC body widths.

XLT08SO (Discontinued – see XLT08SO-1 or XLT08SN-1)

8-lead DIP to 0.050-inch Adapter Socket



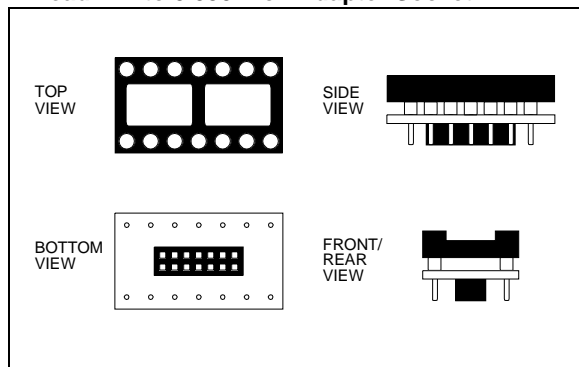
8-lead SOIC Header



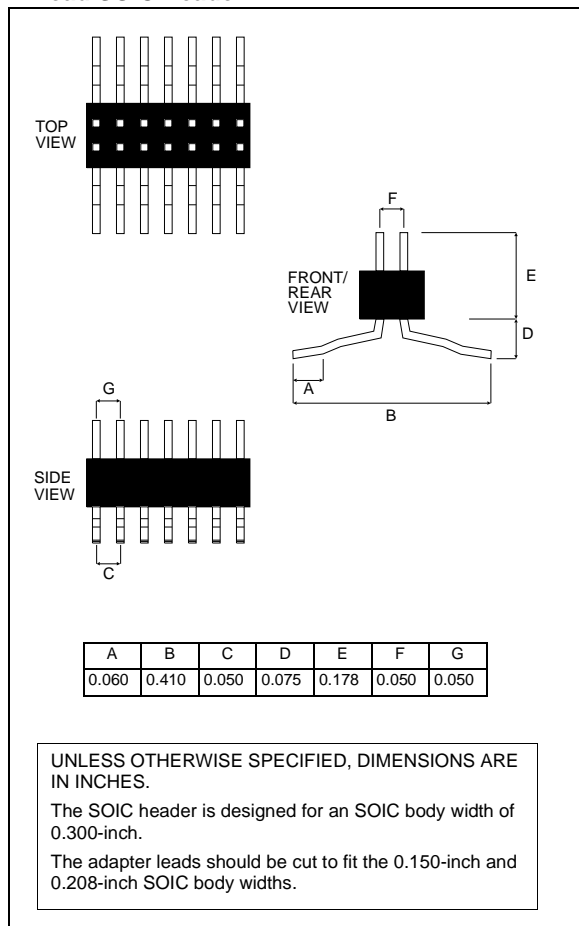
Transition Socket Specification

XLT14SO (Discontinued – see XLT14SO-1)

14-lead DIP to 0.050-inch Adapter Socket

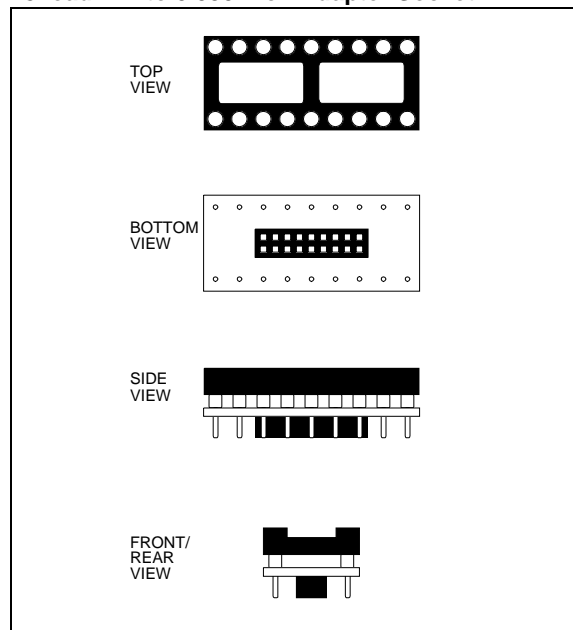


14-lead SOIC Header

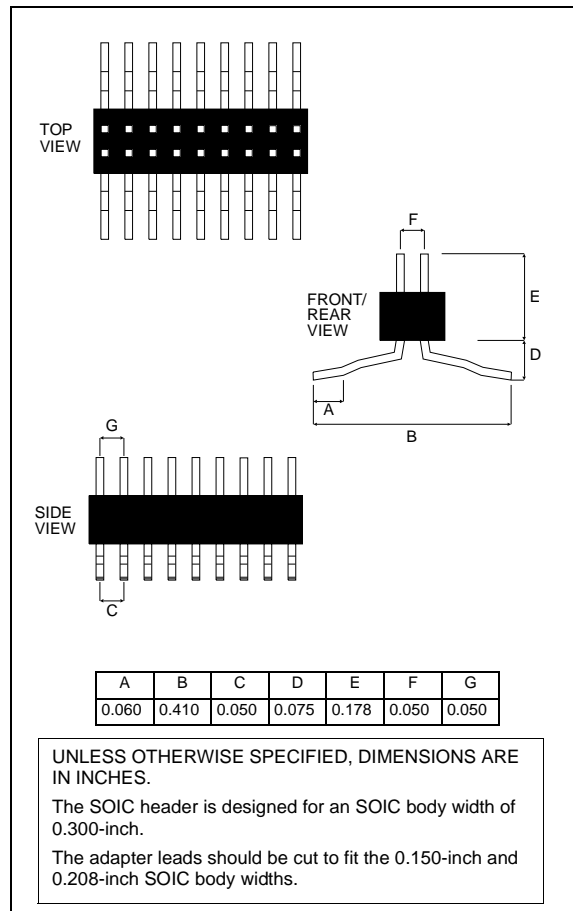


XLT18SO (Discontinued – see XLT18SO-1)

18-lead DIP to 0.050-inch Adapter Socket



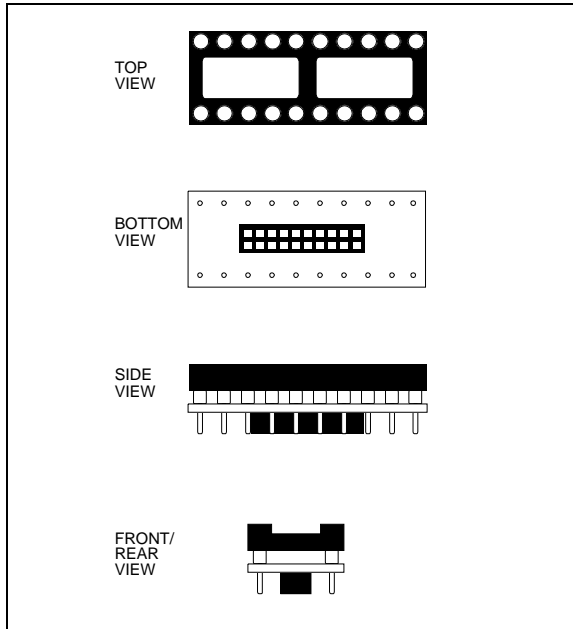
18-lead SOIC Header



Transition Socket Specification

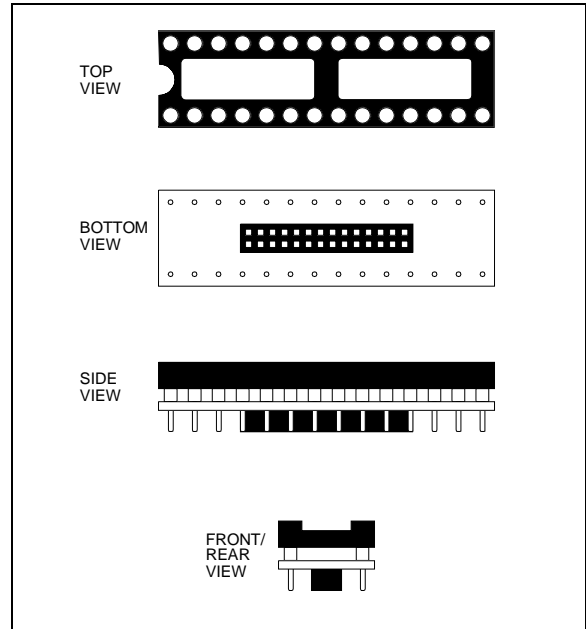
XLT20SO1 (Discontinued – see XLT20SO1-1)

20-lead DIP to 0.050-inch Adapter Socket

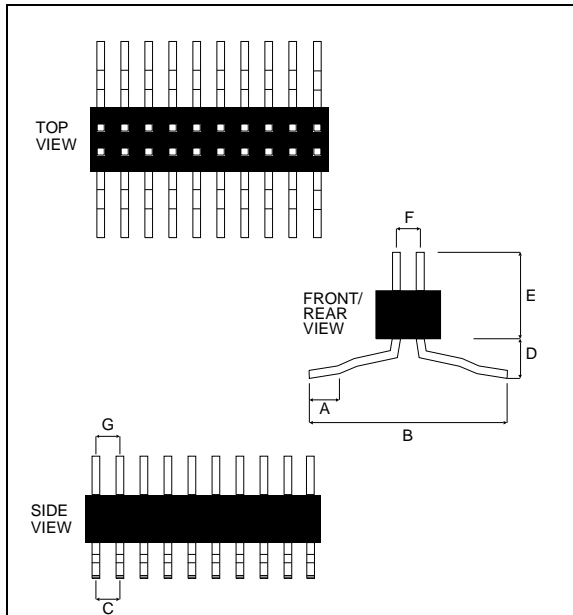


XLT28SO (Discontinued – see XLT28SO-1)

28-lead DIP to 0.050-inch Adapter Socket



20-lead SOIC Header



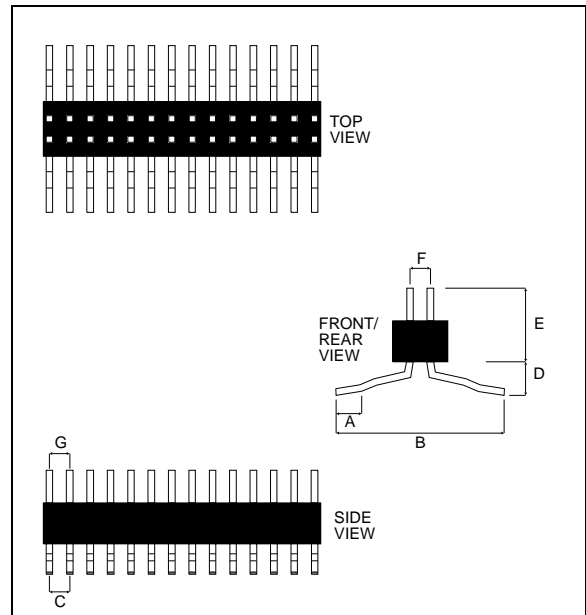
A	B	C	D	E	F	G
0.060	0.410	0.050	0.075	0.178	0.050	0.050

UNLESS OTHERWISE SPECIFIED, DIMENSIONS ARE IN INCHES.

The SOIC header is designed for an SOIC body width of 0.300-inch.

The adapter leads should be cut to fit the 0.150-inch and 0.208-inch SOIC body widths.

28-lead SOIC Header



A	B	C	D	E	F	G
0.060	0.410	0.050	0.075	0.178	0.050	0.050

UNLESS OTHERWISE SPECIFIED, DIMENSIONS ARE IN INCHES.

The SOIC header is designed for an SOIC body width of 0.300-inch.

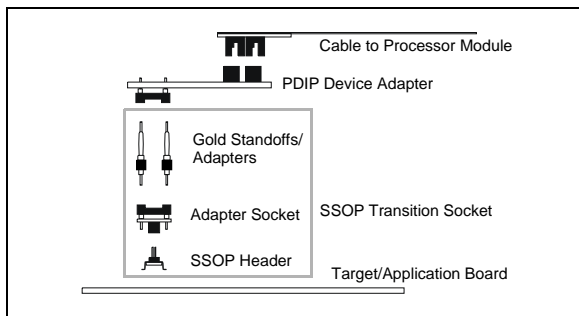
The adapter leads should be cut to fit the 0.150-inch and 0.208-inch SOIC body widths.

Transition Socket Specification

SSOP TRANSITION SOCKET

An SSOP transition socket and associated hardware is shown in Figure 3.

FIGURE 3: SSOP TRANSITION SOCKET



The SSOP transition sockets are similar to the SOIC transition sockets. There are two parts to the SSOP transition socket:

1. Adapter socket that connects to the PDIP device adapter.
2. SSOP header that gets soldered down to the target application.

Note: To keep the leads straight during assembly and shipping, the SSOP headers are shipped with break-away tabs attached to the leads. Please remove the break-away tabs before applying power to the target system. Be careful not to bend the leads prior to soldering to the target application.

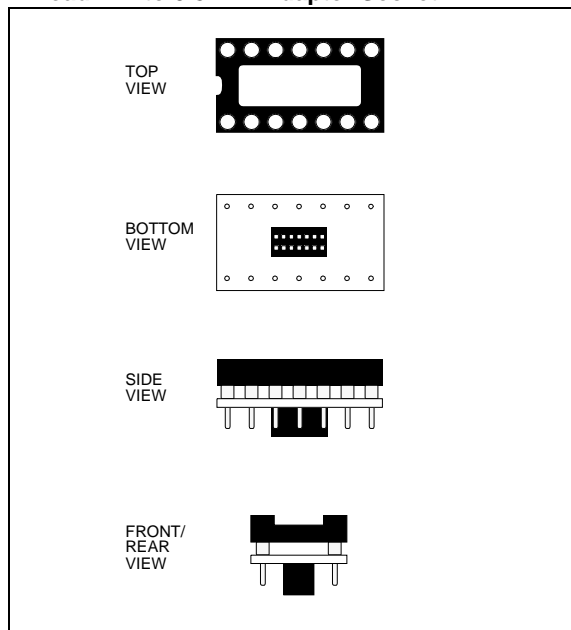
The following SSOP transition sockets have been discontinued:

- XLT14SS: One adapter socket and three 14-lead SSOP headers
- XLT20SS: One adapter socket and three 20-lead SSOP headers
- XLT20SS1: One adapter socket and three 20-lead SSOP headers
- XLT28SS: One adapter socket and three 28-lead SSOP headers
- XLT28SS2: One adapter socket and three 28-lead SSOP headers for PIC16C55/57

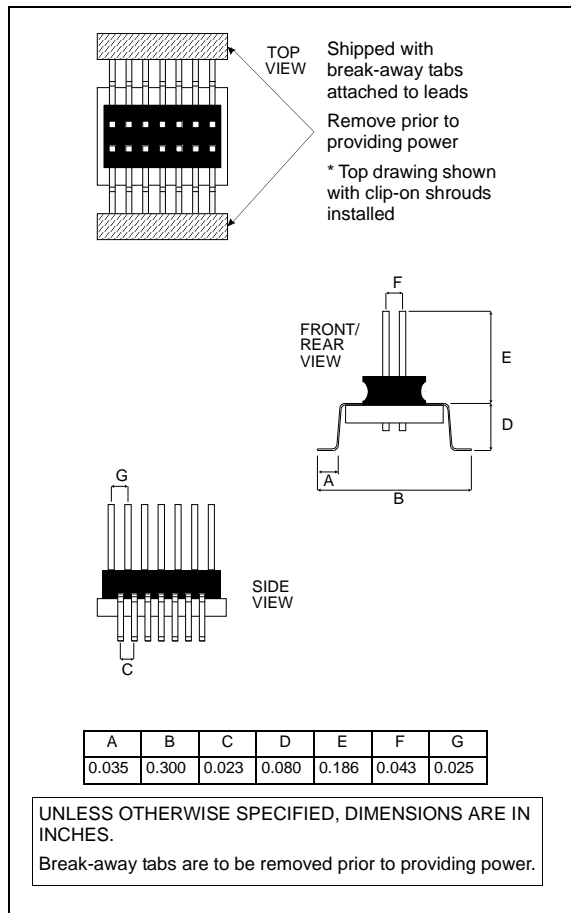
See the drawings in this section for layout dimensions and clearances for tall components.

XLT14SS (Discontinued – see XLT14SS-1)

14-lead DIP to 0.8 mm Adapter Socket



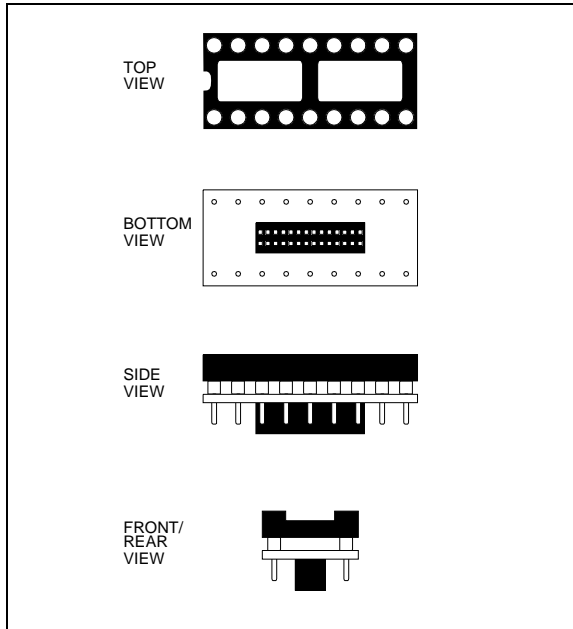
14-lead SSOP Header



Transition Socket Specification

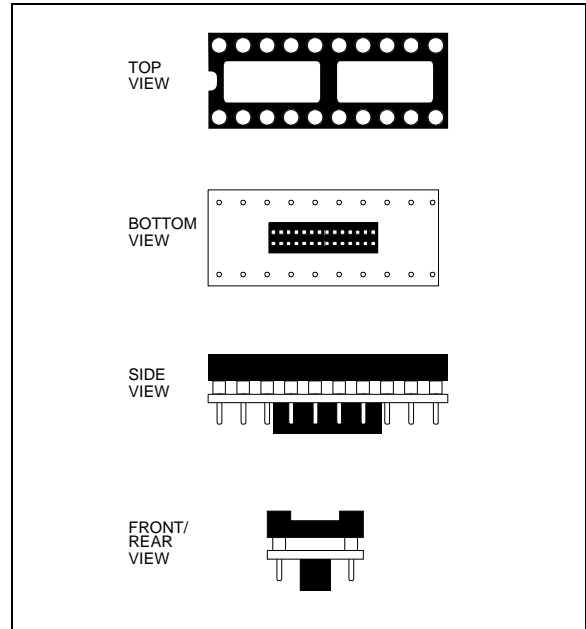
XLT20SS (Discontinued – see XLT20SS-1)

18-lead DIP to 0.8 mm Adapter Socket

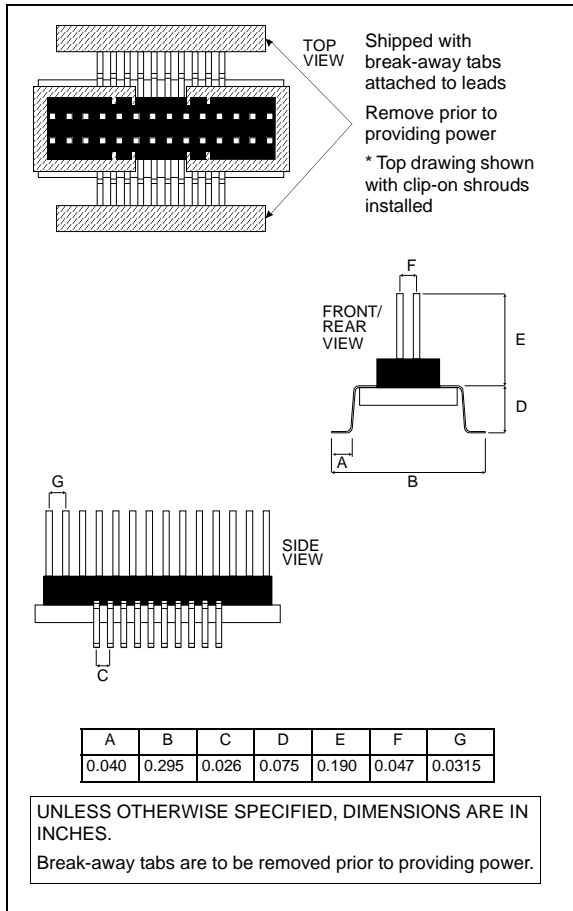


XLT20SS1 (Discontinued – see XLT20SS1-1)

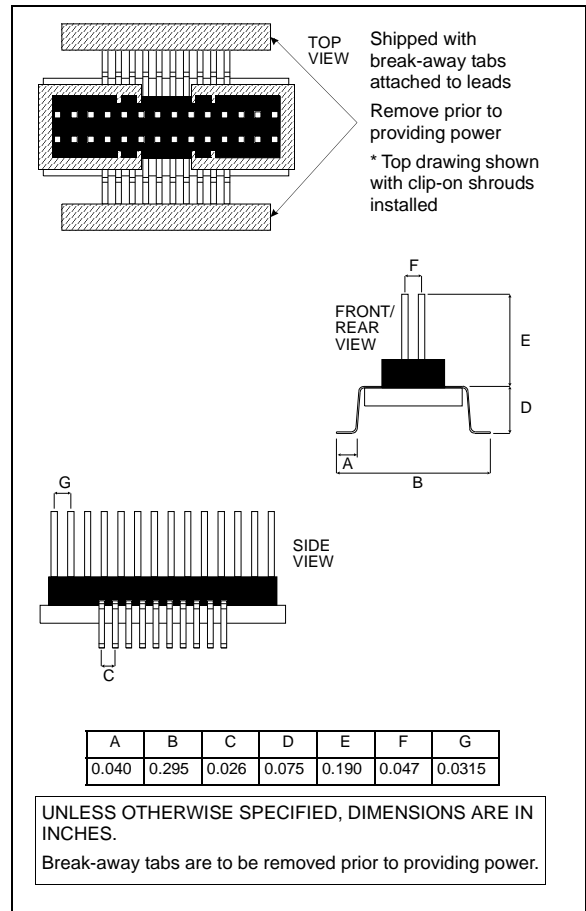
20-lead DIP to 0.8 mm Adapter Socket



20-lead SSOP Header



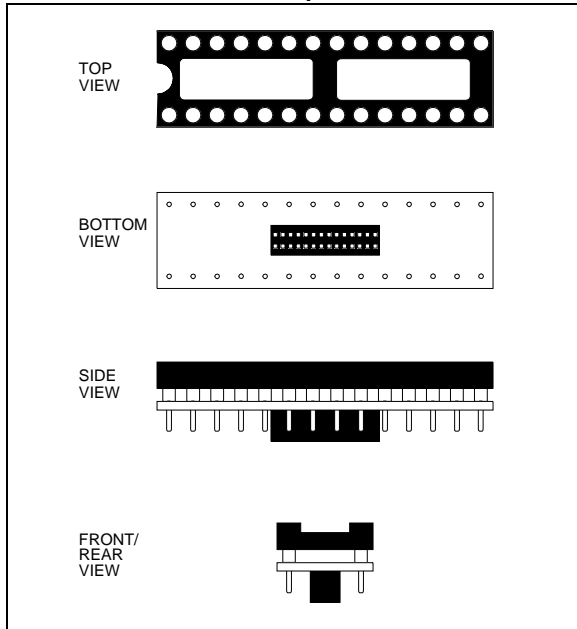
20-lead SSOP Header



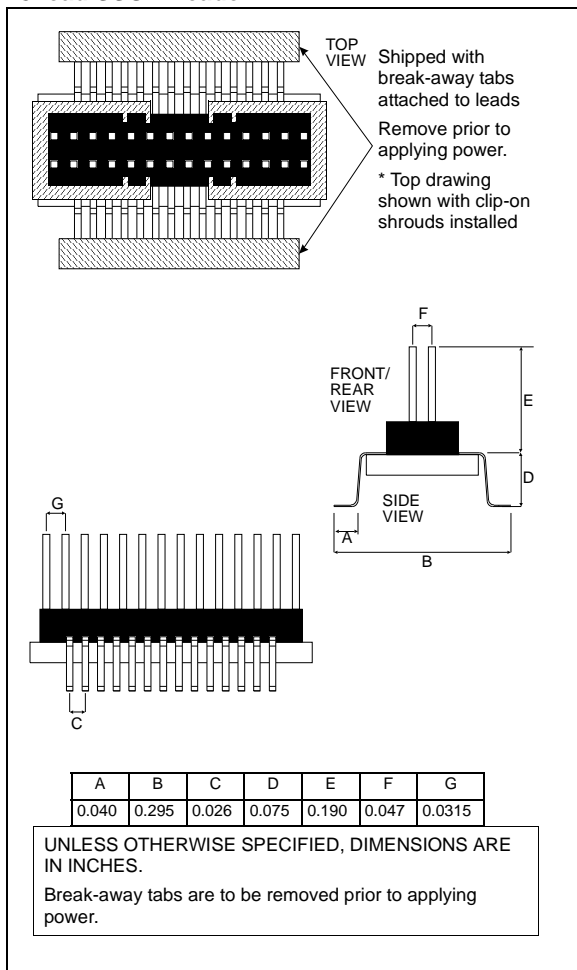
Transition Socket Specification

XLT28SS (Discontinued – see XLT28SS-1)
 XLT28SS2 (Discontinued – see XLT28SS2-1)

28-lead DIP to 0.8 mm Adapter Socket



28-lead SSOP Header

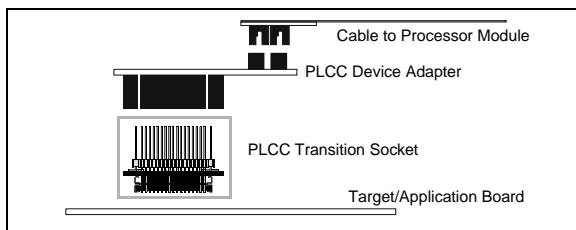


Transition Socket Specification

PLCC TRANSITION SOCKET

A PLCC transition socket and associated hardware is shown in Figure 4.

FIGURE 4: PLCC TRANSITION SOCKET



The PLCC transition socket is required for use along with the PLCC device adapters. The DAF18-1 device adapter is equipped with eight socket strips that interface with one of two transition sockets. The DAF18-3 device adapter is equipped with four socket strips that interface with one transition socket.

The PLCC transition sockets are designed with a threaded insert in the center of the footprint so that a 4/40 screw can securely fasten the transition socket to the device adapter.

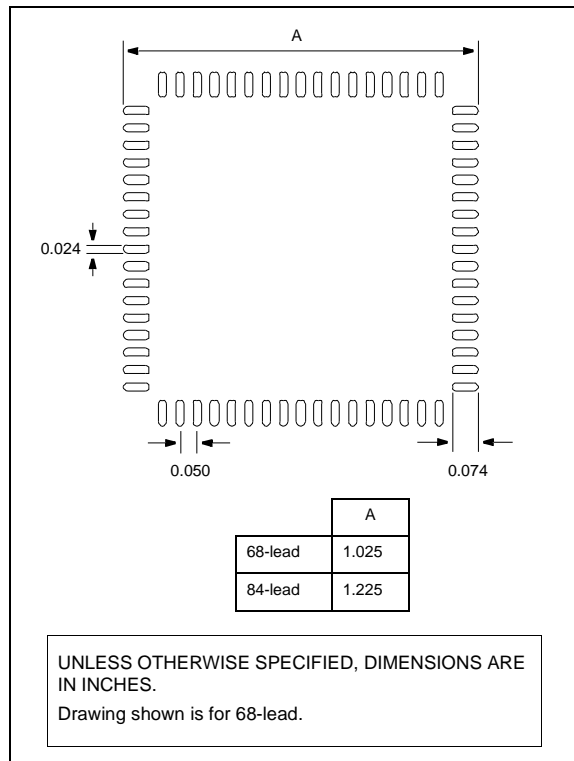
The PLCC transition sockets are designed to be soldered to the target PCB PLCC surface mount pattern or inserted into a PLCC socket on the target PCB.

Note: To avoid solder bridging, do not place vias within 0.025-inch of the PLCC footprint. Also, any vias near the PLCC should be directly on the centerline of the pad.

The following PLCC transition sockets have been discontinued:

- XLT68L1: One 68-lead PLCC transition socket
- XLT84L1: One 84-lead PLCC transition socket

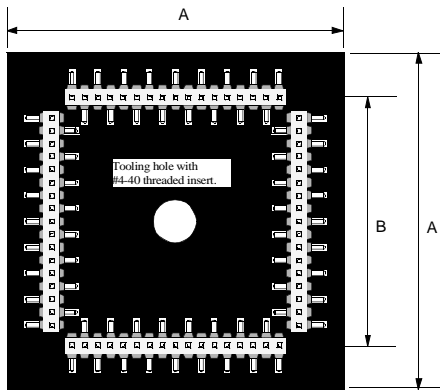
RECOMMENDED PCB LAYOUT



Transition Socket Specification

XLT68L1, XLT84L1 (Discontinued)

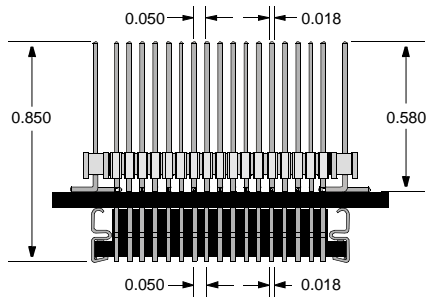
68/84-lead Adapter Socket



TOP VIEW

	A	B
68-lead	1.300	0.960
84-lead	1.400	1.160

***Caution:** Pin 1 on the device adapter side (top of socket) is 180 degrees from pin 1 on the target side (bottom of socket).



FRONT/
SIDE
VIEW

UNLESS OTHERWISE SPECIFIED, DIMENSIONS ARE IN INCHES.

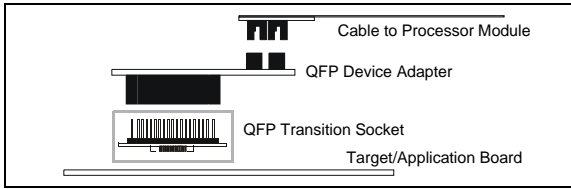
Drawing shown is for 68-lead.

Transition Socket Specification

QFP TRANSITION SOCKET

QFP (MQFP, TQFP, PQFP) transition sockets and associated hardware are shown below.

FIGURE 5: QFP TRANSITION SOCKET



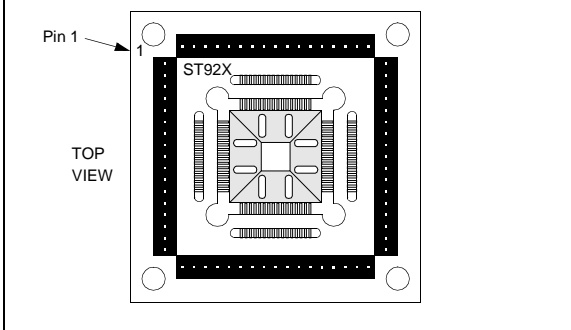
The QFP transition socket is required for use along with the QFP device adapter. The device adapter is equipped with four socket strips that interface with the transition socket.

Note: To avoid solder bridging, do not place vias within 0.025-inch of the QFP footprint. Also, any vias near the QFP should be directly on the centerline of the pad.

The following QFP transition sockets have been discontinued:

- XLT44PT: One 44-lead QFP transition socket, 0.80 mm
- XLT64PT1: One 64-lead QFP transition socket, 0.5 mm (PIC16C92X)

Note: The XLT64PT1 for the PIC16C92X is not symmetrical. Please note Pin 1 orientation prior to soldering to the target system.



- XLT64PT2: One 64-lead QFP transition socket, 0.5 mm (PIC17CXXX)
- XLT64PT3: One 64-lead QFP transition socket, 0.8 mm (dsPIC30F)
- XLT64PT4: One 64-lead QFP adapter socket and one 64-lead QFP header (0.8 mm)
- XLT80PT: One 80-lead QFP transition socket, 0.5 mm

QFP TRANSITION SOCKET SOLDERING TIPS

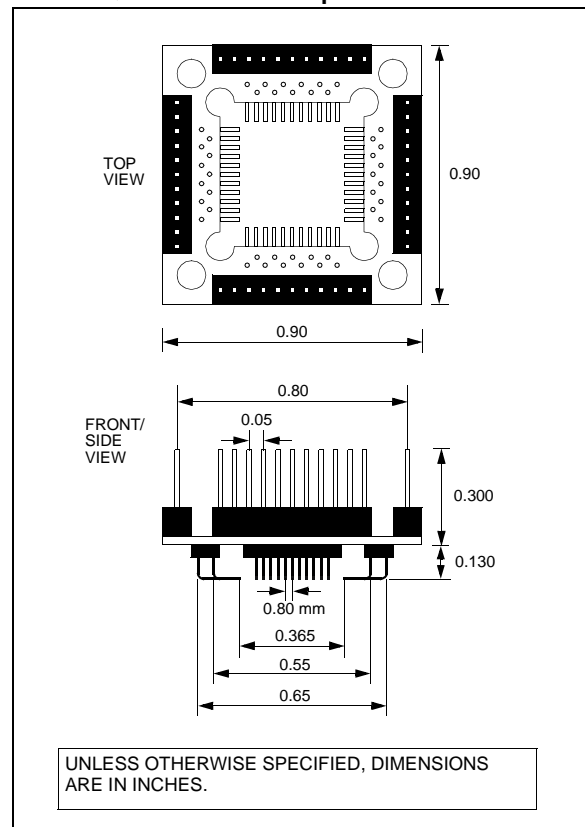
- Before soldering, consider keeping the break-away tabs in place during soldering.
- Use controlled soldering iron tip temperatures between 300°C and 325°C (570°F to 615°F)
- If possible, use a PACE mini wave soldering iron tip or an equivalent tip design.
- Plan to solder one (1 of 4) side first, then the opposite side, then the remaining two sides.
- Soldering iron tip movement should be in the direction of the leads (backward and forward), not across the leads; dragging the tip across the leads may cause lead damage.
- Use generous amounts of soldering flux to aid in the solder flow action.
- If the break-away tabs are removed after soldering (using a dental pick or equivalent), any solder bridging between leads can be repaired by simply gently touching the soldering tip to the lead tip.

CAUTION

The 64 and 80-pin QFP headers are very delicate and can be easily damaged!

XLT44PT (Discontinued – see XLT44PT3)

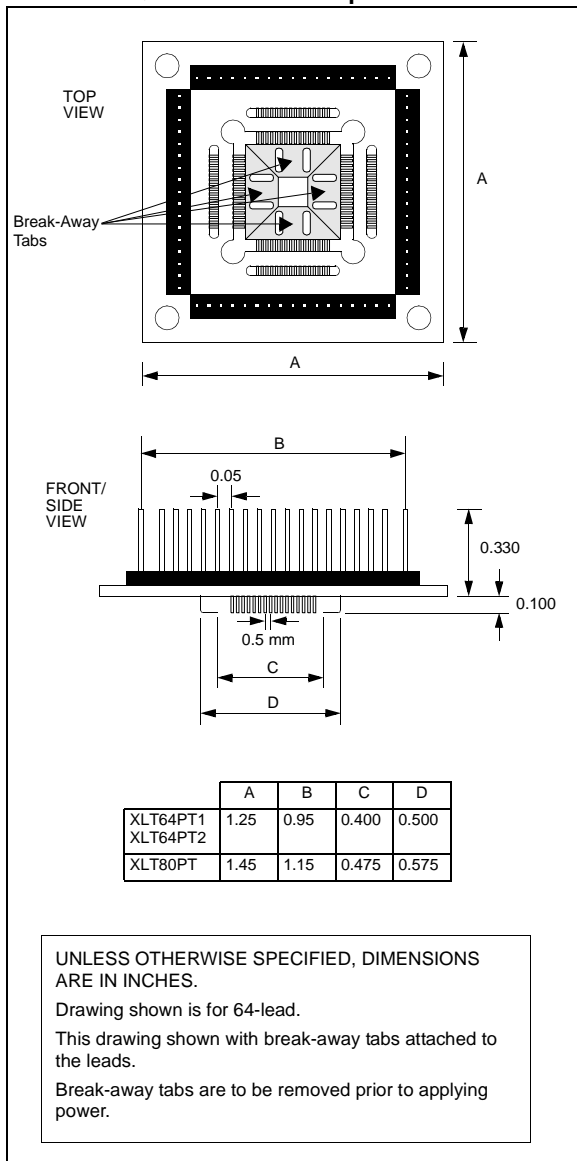
44-lead QFP to 0.8 mm Adapter Socket



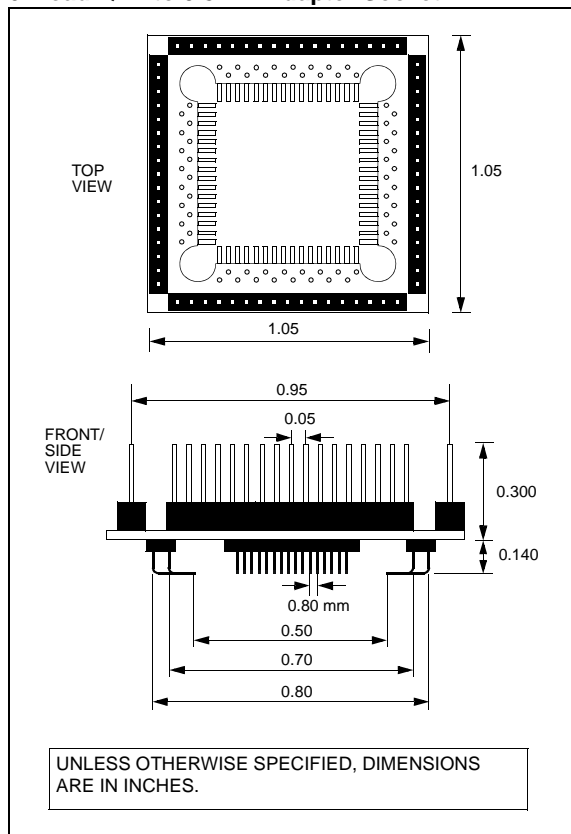
Transition Socket Specification

XLT64PT1 (Discontinued)
 XLT64PT2 (Discontinued – see XLT64PT5)
 XLT80PT (Discontinued – see XLT80PT3)

64/80-lead QFP to 0.5 mm Adapter Socket



XLT64PT3 (Discontinued – see XLT64PT5)
 64-lead QFP to 0.8mm Adapter Socket



Transition Socket Specification

XLT64PT4 (Discontinued – see XLT64PT5)

64-lead QFP (0.8 mm)

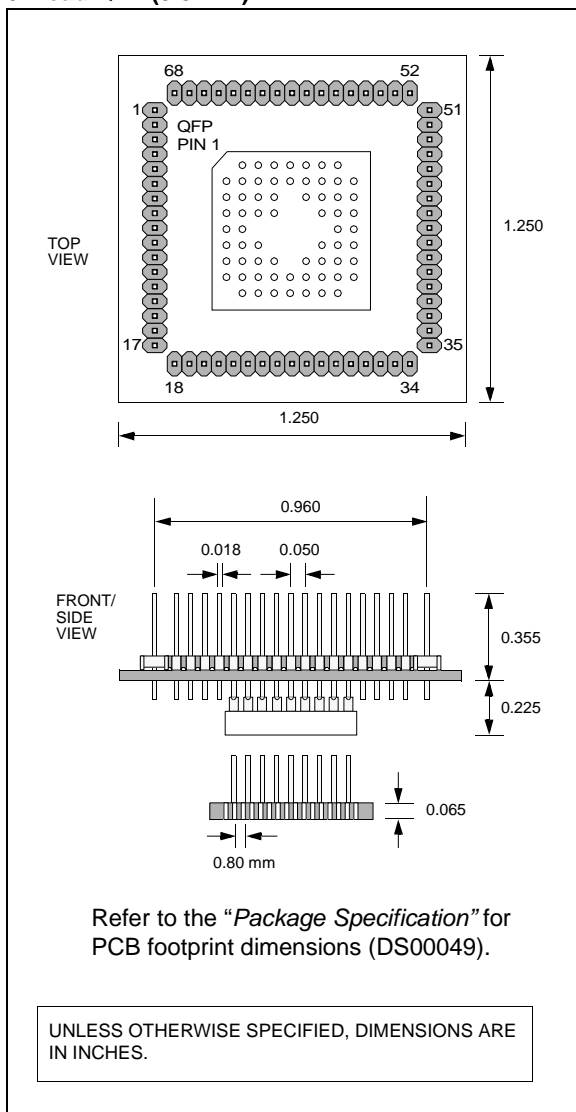


TABLE 1: DVA/DAF INTERFACE SPECIFICATION FOR QFP PACKAGES

Socket	Package Style*	DVA/DAF Interface Specification**
XLT44PT	44PT TQFP 44PQ MQFP 44KW PQFP	DVA-44PL
XLT64PT1	64PT special – PIC16C923/4, PIC16C925/6 only	DVA-68PL2
XLT64PT2	64PT	DVA-68PL
XLT64PT3		
XLT64PT4		
XLT80PT	80PT	DVA-84PL

* Refer to the "Package Specification" for PCB footprint dimensions (DS00049).
 ** Refer to the processor module and device adapter specification for interface and dimensions to DVA/DAF (ICE 2000: "MPLAB® ICE 2000 Processor Module and Device Adapter Specification" (DS51140); ICE 4000: "MPLAB® ICE 4000 Processor Module and Device Adapter Specification" (DS51298)).

Transition Socket Specification

SOT/DFN/QFN TRANSITION SOCKETS

SOT/DFN/QFN transition sockets and associated hardware are shown below.

FIGURE 6: DFN/QFN TWO-PART TRANSITION SOCKET

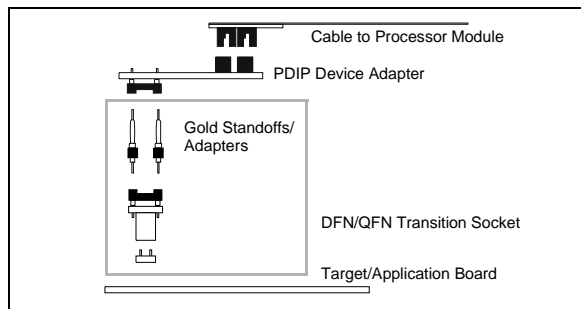
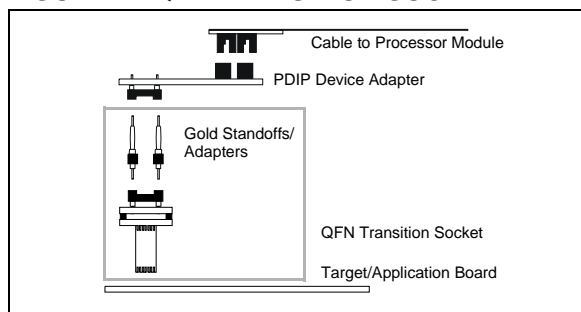


FIGURE 7: QFN TRANSITION SOCKET



The following SOT/DFN/QFN transition sockets have been discontinued:

- XLT08DFN: One 8-lead DFN transition socket. (Replaced by XLT08DFN2.)
- XLT28QFN: One 28-lead QFN transition socket. (Replaced by XLT28QFN4.)
- XLT28QFN2: One 28-lead QFN transition socket. (Replaced by XLT28QFN3.)
- XLT44QFN: One 44-lead QFN two-part transition socket. (Replaced by XLT44QFN2.)

See the drawings in this section for layout dimensions.

RECOMMENDED PCB LAYOUT

The recommended target board footprint layout for different pin-counts is shown here.

FIGURE 8: 8-PIN DFN

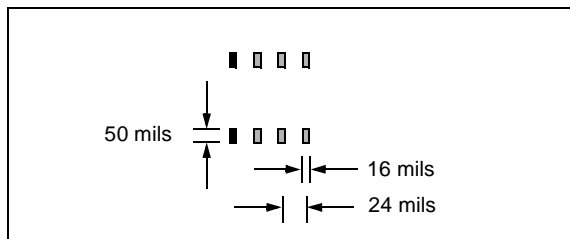


FIGURE 9: 28-PIN QFN

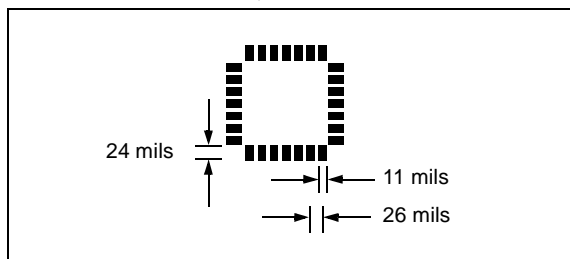
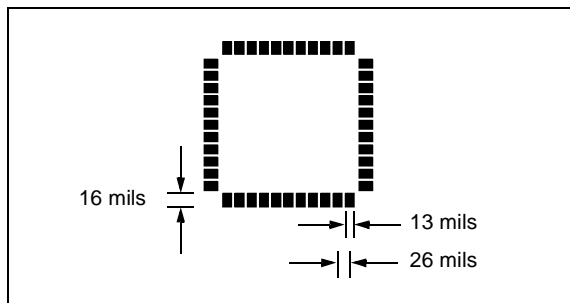


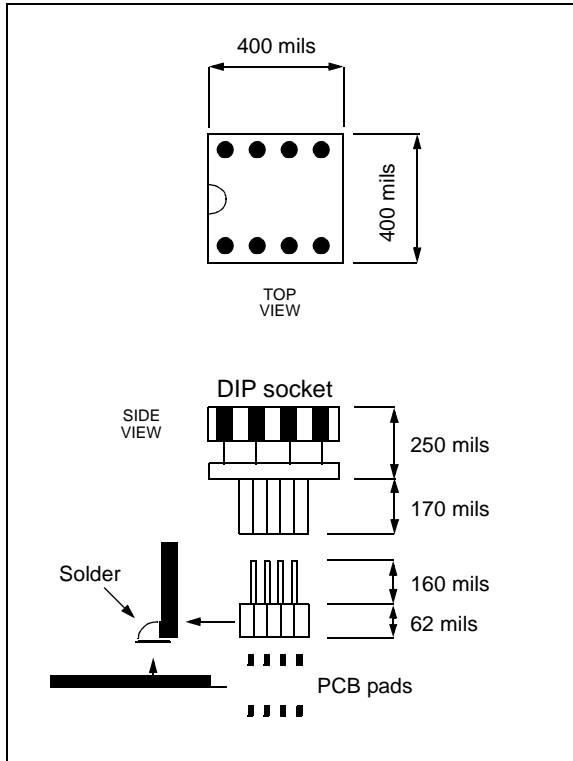
FIGURE 10: 44-PIN QFN



Transition Socket Specification

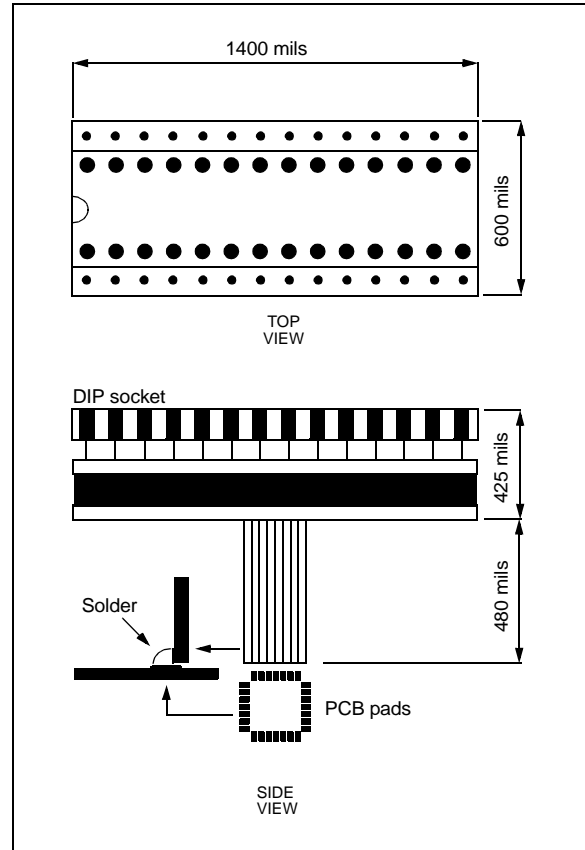
XLT08DFN (Discontinued – see XLT08DFN2)

8-lead DIP to 0.025-inch Adapter Socket



XLT28QFN (Discontinued – see XLT28QFN4)

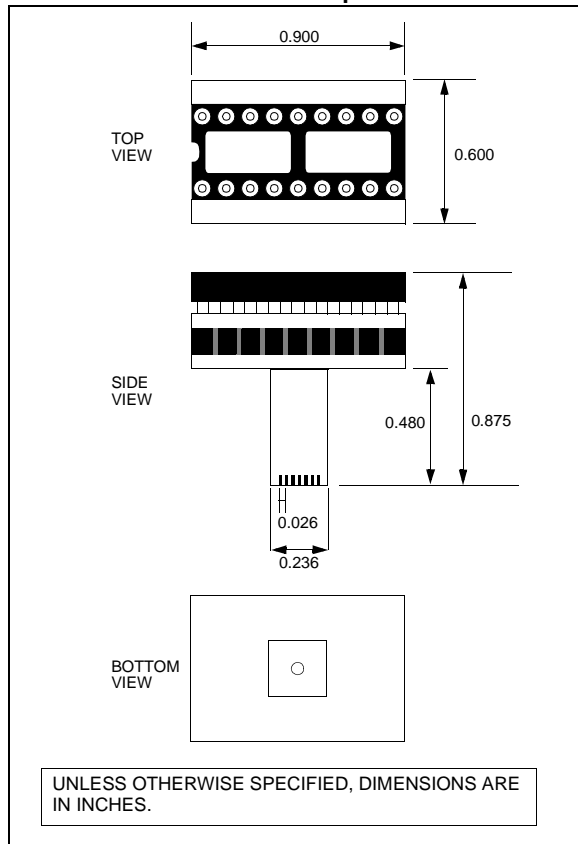
28-lead DIP to 0.025-inch Adapter Socket



Transition Socket Specification

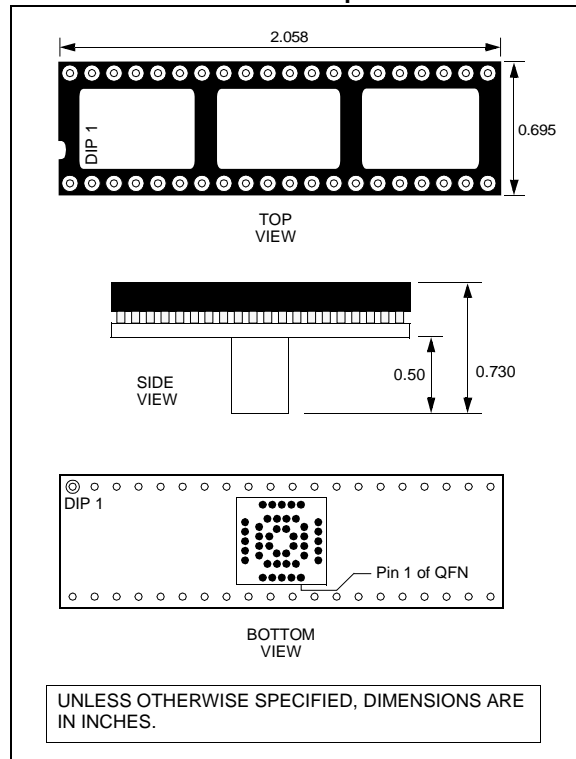
XLT28QFN2 (Discontinued – see XLT28QFN3)

18-lead DIP to 0.025-inch Adapter Socket

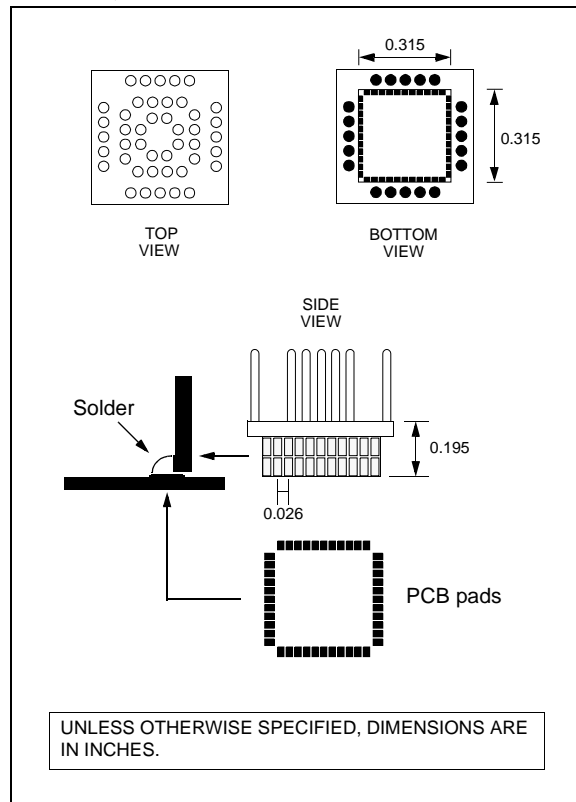


XLT44QFN (Discontinued – see XLT44QFN2)

40-lead DIP to 0.025-inch Adapter Socket



44-lead QFN Header



Transition Socket Specification

APPENDIX A: REVISION HISTORY

A.1 Revision N (February 2006)

The following is a list of modifications:

1. Added Appendix A: Revision History.
2. Removed "Preliminary" from the document's footer.
3. Added notes referring user to the "*Packaging Specification*" (DS00049) for PCB footprint dimensions in the "Two-Part QFP Sockets" section.

A.2 Revision P (September 2006)

The following is a list of modifications:

1. Removed "MPLAB ICE 2000/4000" from the name of the document. This document now applies to multiple tools, and the document title was renamed to reflect this.
2. Updated document to reflect support of 4 tools.
3. Updated document to include break-away tab information for XLT64PT1, XLT64PT2 and XLT80PT.

A.3 Revision Q (July 2008)

The following is a list of modifications:

1. Update for new SOIC, SSOP and QFN sockets.

A.4 Revision R (July 2009)

The following is a list of modifications:

1. Updated the first paragraph in the "**Introduction**" section.

A.5 Revision S (March 2010)

The following is a list of modifications:

1. Obsoleted XLT28XP and XLT64PT4
2. Added XLT44QFN4 and XLT44QFN5.



WORLDWIDE SALES AND SERVICE

AMERICAS

Corporate Office

2355 West Chandler Blvd.
Chandler, AZ 85224-6199
Tel: 480-792-7200
Fax: 480-792-7277
Technical Support:
<http://support.microchip.com>
Web Address:
www.microchip.com

Atlanta

Duluth, GA
Tel: 678-957-9614
Fax: 678-957-1455

Boston

Westborough, MA
Tel: 774-760-0087
Fax: 774-760-0088

Chicago

Itasca, IL
Tel: 630-285-0071
Fax: 630-285-0075

Cleveland

Independence, OH
Tel: 216-447-0464
Fax: 216-447-0643

Dallas

Addison, TX
Tel: 972-818-7423
Fax: 972-818-2924

Detroit

Farmington Hills, MI
Tel: 248-538-2250
Fax: 248-538-2260

Kokomo

Kokomo, IN
Tel: 765-864-8360
Fax: 765-864-8387

Los Angeles

Mission Viejo, CA
Tel: 949-462-9523
Fax: 949-462-9608

Santa Clara

Santa Clara, CA
Tel: 408-961-6444
Fax: 408-961-6445

Toronto

Mississauga, Ontario,
Canada
Tel: 905-673-0699
Fax: 905-673-6509

ASIA/PACIFIC

Asia Pacific Office

Suites 3707-14, 37th Floor
Tower 6, The Gateway
Harbour City, Kowloon
Hong Kong
Tel: 852-2401-1200
Fax: 852-2401-3431

Australia - Sydney

Tel: 61-2-9868-6733
Fax: 61-2-9868-6755

China - Beijing

Tel: 86-10-8528-2100
Fax: 86-10-8528-2104

China - Chengdu

Tel: 86-28-8665-5511
Fax: 86-28-8665-7889

China - Chongqing

Tel: 86-23-8980-9588
Fax: 86-23-8980-9500

China - Hong Kong SAR

Tel: 852-2401-1200
Fax: 852-2401-3431

China - Nanjing

Tel: 86-25-8473-2460
Fax: 86-25-8473-2470

China - Qingdao

Tel: 86-532-8502-7355
Fax: 86-532-8502-7205

China - Shanghai

Tel: 86-21-5407-5533
Fax: 86-21-5407-5066

China - Shenyang

Tel: 86-24-2334-2829
Fax: 86-24-2334-2393

China - Shenzhen

Tel: 86-755-8203-2660
Fax: 86-755-8203-1760

China - Wuhan

Tel: 86-27-5980-5300
Fax: 86-27-5980-5118

China - Xian

Tel: 86-29-8833-7252
Fax: 86-29-8833-7256

China - Xiamen

Tel: 86-592-2388138
Fax: 86-592-2388130

China - Zhuhai

Tel: 86-756-3210040
Fax: 86-756-3210049

ASIA/PACIFIC

India - Bangalore

Tel: 91-80-3090-4444
Fax: 91-80-3090-4123

India - New Delhi

Tel: 91-11-4160-8631
Fax: 91-11-4160-8632

India - Pune

Tel: 91-20-2566-1512
Fax: 91-20-2566-1513

Japan - Yokohama

Tel: 81-45-471- 6166
Fax: 81-45-471-6122

Korea - Daegu

Tel: 82-53-744-4301
Fax: 82-53-744-4302

Korea - Seoul

Tel: 82-2-554-7200
Fax: 82-2-558-5932 or
82-2-558-5934

Malaysia - Kuala Lumpur

Tel: 60-3-6201-9857
Fax: 60-3-6201-9859

Malaysia - Penang

Tel: 60-4-227-8870
Fax: 60-4-227-4068

Philippines - Manila

Tel: 63-2-634-9065
Fax: 63-2-634-9069

Singapore

Tel: 65-6334-8870
Fax: 65-6334-8850

Taiwan - Hsin Chu

Tel: 886-3-6578-300
Fax: 886-3-6578-370

Taiwan - Kaohsiung

Tel: 886-7-536-4818
Fax: 886-7-536-4803

Taiwan - Taipei

Tel: 886-2-2500-6610
Fax: 886-2-2508-0102

Thailand - Bangkok

Tel: 66-2-694-1351
Fax: 66-2-694-1350

EUROPE

Austria - Wels

Tel: 43-7242-2244-39
Fax: 43-7242-2244-393

Denmark - Copenhagen

Tel: 45-4450-2828
Fax: 45-4485-2829

France - Paris

Tel: 33-1-69-53-63-20
Fax: 33-1-69-30-90-79

Germany - Munich

Tel: 49-89-627-144-0
Fax: 49-89-627-144-44

Italy - Milan

Tel: 39-0331-742611
Fax: 39-0331-466781

Netherlands - Drunen

Tel: 31-416-690399
Fax: 31-416-690340

Spain - Madrid

Tel: 34-91-708-08-90
Fax: 34-91-708-08-91

UK - Wokingham

Tel: 44-118-921-5869
Fax: 44-118-921-5820

01/05/10



Стандарт Электрон Связь

Мы молодая и активно развивающаяся компания в области поставок электронных компонентов. Мы поставляем электронные компоненты отечественного и импортного производства напрямую от производителей и с крупнейших складов мира.

Благодаря сотрудничеству с мировыми поставщиками мы осуществляем комплексные и плановые поставки широчайшего спектра электронных компонентов.

Собственная эффективная логистика и склад в обеспечивает надежную поставку продукции в точно указанные сроки по всей России.

Мы осуществляем техническую поддержку нашим клиентам и предпродажную проверку качества продукции. На все поставляемые продукты мы предоставляем гарантию .

Осуществляем поставки продукции под контролем ВП МО РФ на предприятия военно-промышленного комплекса России , а также работаем в рамках 275 ФЗ с открытием отдельных счетов в уполномоченном банке. Система менеджмента качества компании соответствует требованиям ГОСТ ISO 9001.

Минимальные сроки поставки, гибкие цены, неограниченный ассортимент и индивидуальный подход к клиентам являются основой для выстраивания долгосрочного и эффективного сотрудничества с предприятиями радиоэлектронной промышленности, предприятиями ВПК и научно-исследовательскими институтами России.

С нами вы становитесь еще успешнее!

Наши контакты:

Телефон: +7 812 627 14 35

Электронная почта: sales@st-electron.ru

Адрес: 198099, Санкт-Петербург,
Промышленная ул, дом № 19, литера Н,
помещение 100-Н Офис 331