

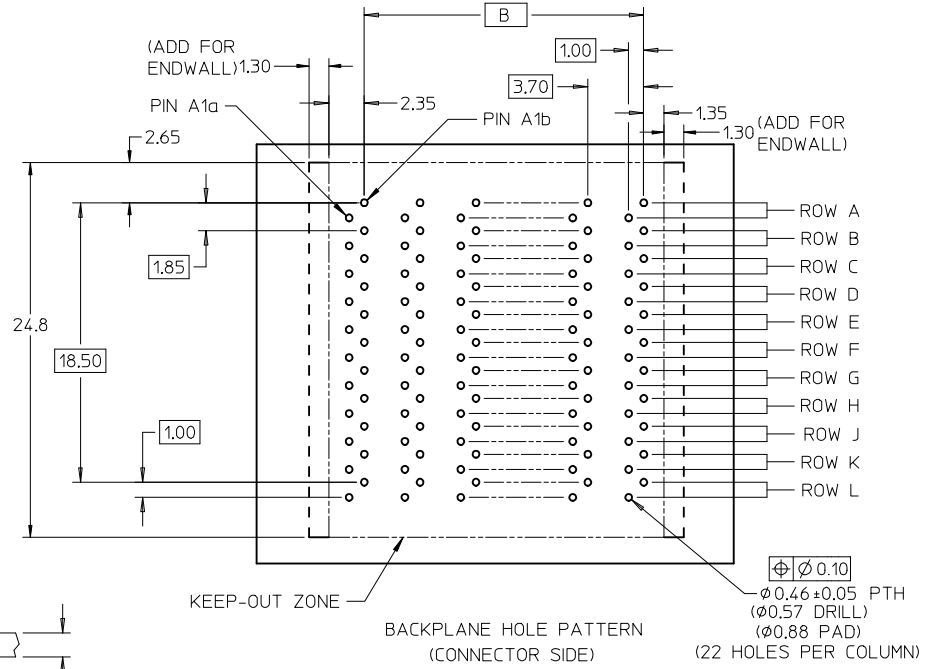
75705-\*\*\*\*

MODULE TYPE -- TAIL PLATING TYPE  
 UNGUIDED -- TIN ONLY = 0 (PREVIOUSLY TIN/LEAD)  
 UNGUIDED -- TIN ONLY = 1

# OF COLUMNS  
 5 = 5 COL  
 6 = 6 COL  
 8 = 8 COL  
 1 = 10 COL

PIN LENGTH (P)  
 2 = 3.90 - 30 GOLD  
 3 = 4.70 - 30 GOLD  
 4 = 5.70 - 30 GOLD  
 5 = 4.70 & 5.70 -30 GOLD STAGGERED  
 6 = 3.90 - 10 GOLD  
 7 = 4.70 - 10 GOLD  
 8 = 5.70 - 10 GOLD  
 9 = 4.70 & 5.70 - 10 GOLD STAGGERED

END WALL OPTIONS  
 0 = OPEN ENDS  
 1 = LEFT END WALL  
 2 = DUAL END WALL  
 3 = RIGHT END WALL



- NOTES:
- MATERIALS: HOUSING - LIQUID CRYSTAL POLYMER (LCP) GLASS-FILLED, UL94V-0  
 TERMINALS - HIGH PERFORMANCE COPPER ALLOY
  - FINISH: 10 MICROINCH MINIMUM GOLD OR 30 MICROINCH MINIMUM GOLD IN CONTACT AREA. SELECTIVE MATTE TIN ON PCB TAILS, NICKEL OVERALL.
  - REFER TO MOLEX PRODUCT SPECIFICATION PS-75710-999 FOR PERFORMANCE SPECIFICATIONS.
  - FOR MIXED CONTACT MATING LENGTHS, CONSULT MOLEX FOR AVAILABILITY.
  - THIS PART CONFORMS TO CLASS B REQUIREMENTS OF MOLEX COSMETIC SPEC PS-45499-002.
  - PACKAGE PER: PK-70873-587.
  - REFER TO PCB ROUTING GUIDE FOR ANTIPAD AND ROUTING RECOMMENDATIONS.

| REV | DESCRIPTION         | DATE       | APPROVED  |
|-----|---------------------|------------|-----------|
| 1   | LEADFREE CONVERTS.  | 2012/11/12 | JLAURX    |
| 2   | EC NO: UCP2013-1898 | 2012/11/12 | BPISZCZOR |
| 3   | DRWIN:POFF          | 2012/11/12 | CBIXLER   |
| 4   | CHKD:HWOLFE         | 2012/11/12 |           |
| 5   | APPR:SMILLER        | 2012/12/21 |           |

| GENERAL TOLERANCES (UNLESS SPECIFIED) |         |
|---------------------------------------|---------|
| mm                                    | INCH    |
| 4 PLACES ± .005                       | ± .0004 |
| 3 PLACES ± .008                       | ± .0003 |
| 2 PLACES ± 0.13                       | ± .005  |
| 1 PLACE ± 0.25                        | ± .010  |
| 0 PLACE ±                             | ±       |

ANGULAR ±1/2°

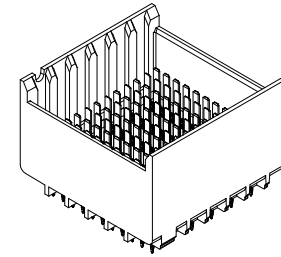
DRAFT WHERE APPLICABLE MUST REMAIN WITHIN DIMENSIONS

| DIMENSION STYLE |         |
|-----------------|---------|
| MM ONLY         |         |
| DRAWN BY        | DATE    |
| JLAURX          | 1/28/05 |
| CHECKED BY      | DATE    |
| BPISZCZOR       | 6/02/06 |
| APPROVED BY     | DATE    |
| CBIXLER         | 6/02/06 |

| SCALE  | DESIGN UNITS | THIRD ANGLE PROJECTION |
|--|--------------|------------------------|
| 4:1  | METRIC       | THIRD ANGLE PROJECTION |
| <b>I-TRAC BACKPLANE HEADER</b><br><b>UNGUIDED ASSEMBLY</b><br><b>SALES DRAWING</b> |              |                        |
|  |              |                        |
| DOCUMENT NO.   |              | SHEET NO.              |
| SEE TABLE  |              | SD-75705-001           |
|  |              | 1 OF 4                 |

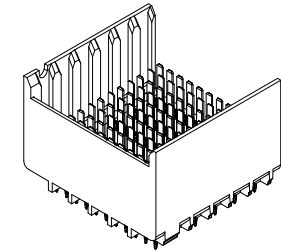
| MATERIAL NUMBER | # OF COLUMNS | DIM "A" | DIM "B" |
|-----------------|--------------|---------|---------|
| 75705-*52*      | 5            | 21.0    | 14.80   |
| 75705-*62*      | 6            | 24.7    | 18.50   |
| 75705-*82*      | 8            | 32.1    | 25.90   |
| 75705-*12*      | 10           | 39.5    | 33.30   |

DUAL END WALL STYLE



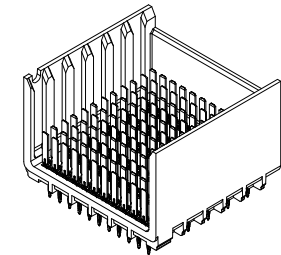
| MATERIAL NUMBER | # OF COLUMNS | DIM "A" | DIM "B" |
|-----------------|--------------|---------|---------|
| 75705-*51*      | 5            | 19.7    | 14.80   |
| 75705-*61*      | 6            | 23.4    | 18.50   |
| 75705-*81*      | 8            | 30.8    | 25.90   |
| 75705-*11*      | 10           | 38.2    | 33.30   |

LEFT END WALL STYLE



| MATERIAL NUMBER | # OF COLUMNS | DIM "A" | DIM "B" |
|-----------------|--------------|---------|---------|
| 75705-*53*      | 5            | 19.7    | 14.80   |
| 75705-*63*      | 6            | 23.4    | 18.50   |
| 75705-*83*      | 8            | 30.8    | 25.90   |
| 75705-*13*      | 10           | 38.2    | 33.30   |

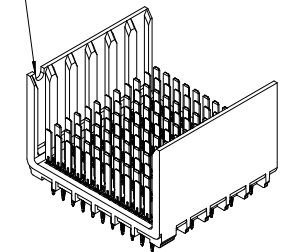
RIGHT END WALL STYLE



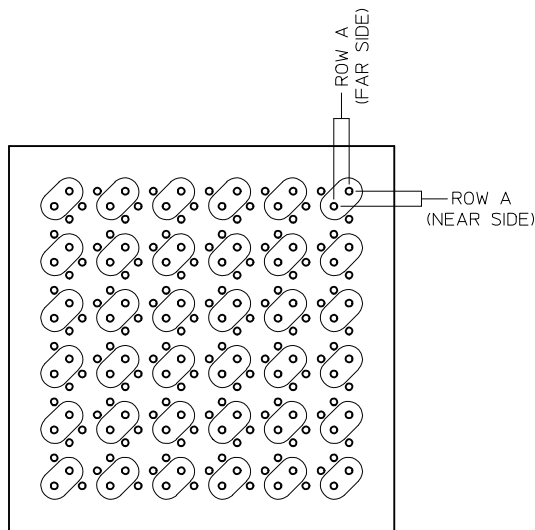
| MATERIAL NUMBER | # OF COLUMNS | DIM "A" | DIM "B" |
|-----------------|--------------|---------|---------|
| 75705-*50*      | 5            | 18.35   | 14.80   |
| 75705-*60*      | 6            | 22.05   | 18.50   |
| 75705-*80*      | 8            | 29.45   | 25.90   |
| 75705-*10*      | 10           | 36.85   | 33.30   |

OPEN STYLE

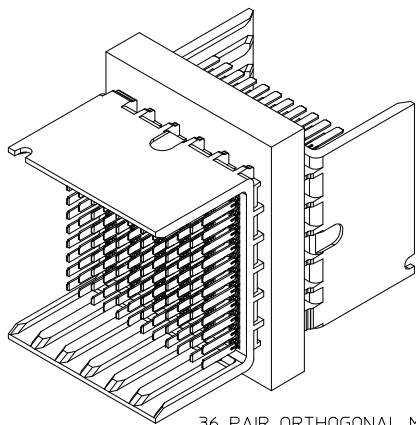
NOTCH DESIGNATES ROW A



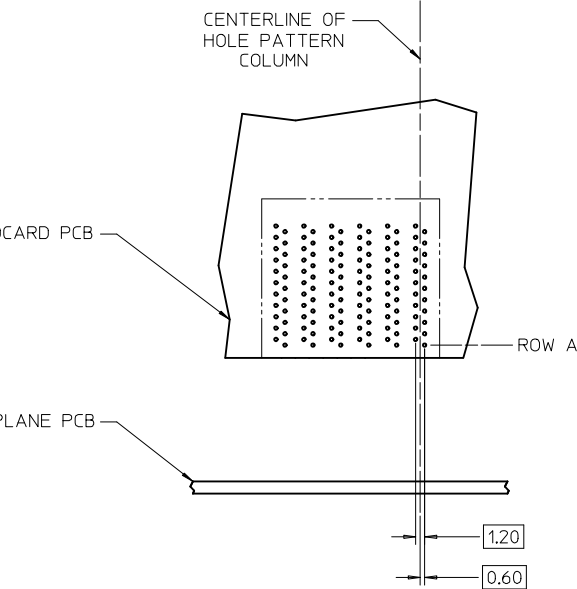
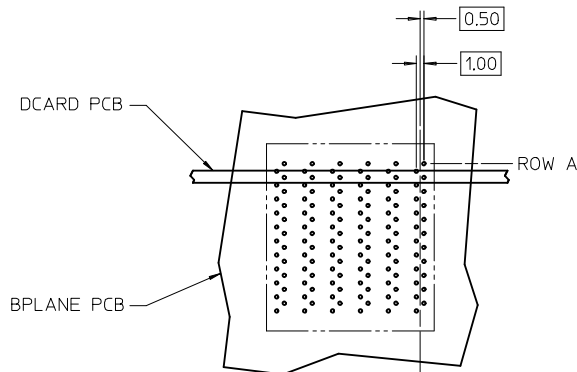
|   |                                  |                                       |  |                                   |  |                     |                               |                            |  |
|---|----------------------------------|---------------------------------------|--|-----------------------------------|--|---------------------|-------------------------------|----------------------------|--|
| <b>SEE SHEET 1</b><br>EC NO: UCP2013-1898<br>DRWIN:POFF 2012/11/12<br>CHKD:MWOLFE 2012/11/12<br>APPR:SMILLER 2012/12/21 | QUALITY SYMBOLS<br>              | GENERAL TOLERANCES (UNLESS SPECIFIED) |  | DIMENSION STYLE<br><b>MM ONLY</b> |  | SCALE<br><b>4:1</b> | DESIGN UNITS<br><b>METRIC</b> | THIRD ANGLE PROJECTION     |  |
|   |                                  | 4 PLACES ± --- ± ---                  | DRAWN BY<br>JLAURX   | DATE<br>1/28/05                   | TITLE<br><b>I-TRAC BACKPLANE HEADER<br/>         UNGUIDED ASSEMBLY<br/>         SALES DRAWING</b><br><br><br>DOCUMENT NO.<br><b>SD-75705-001</b> |                     |                               | SHEET NO.<br><b>2 OF 4</b> |  |
|   |                                  | 3 PLACES ± --- ± ---                  | CHECKED BY<br>BP1SZCZOR                                    | DATE<br>6/02/06                   |  |                     |                               |                            |  |
|   |                                  | 2 PLACES ± 0.13 ± ---                 | APPROVED BY<br>CBIXLER                                     | DATE<br>6/02/06                   |  |                     |                               |                            |  |
| 1 PLACE ± 0.25 ± ---  | MATERIAL NO.<br><b>SEE TABLE</b> |                                       |  |                                   |  |                     |                               |                            |  |
| 0 PLACE ± ±   | ANGULAR ±1/2°                    |                                       | DRAFT WHERE APPLICABLE<br>MUST REMAIN<br>WITHIN DIMENSIONS |                                   | THIS DRAWING CONTAINS INFORMATION THAT IS PROPRIETARY TO MOLEX<br>INCORPORATED AND SHOULD NOT BE USED WITHOUT WRITTEN PERMISSION                 |                     |                               |                            |  |



ORTHOGONAL MIDPLANE HOLE PATTERN  
(36 SIGNAL PAIRS SHARE VIAS)

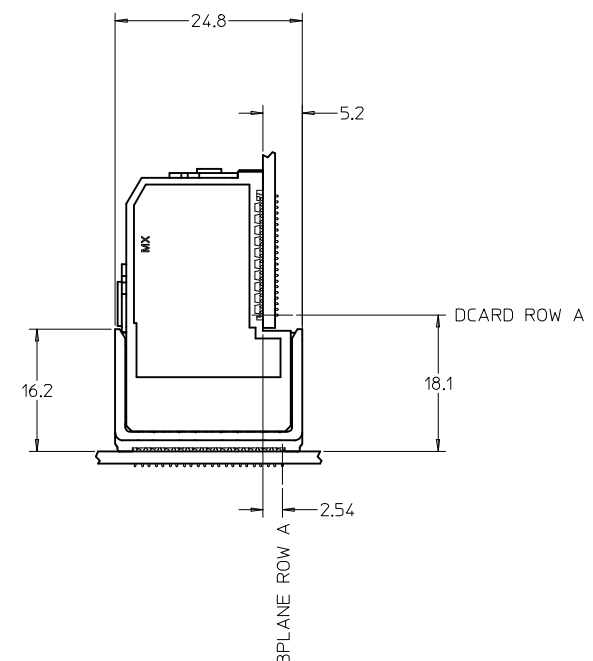


36 PAIR ORTHOGONAL MIDPLANE NODE  
(USES TWO 6 COLUMN I-TRAC HEADERS)

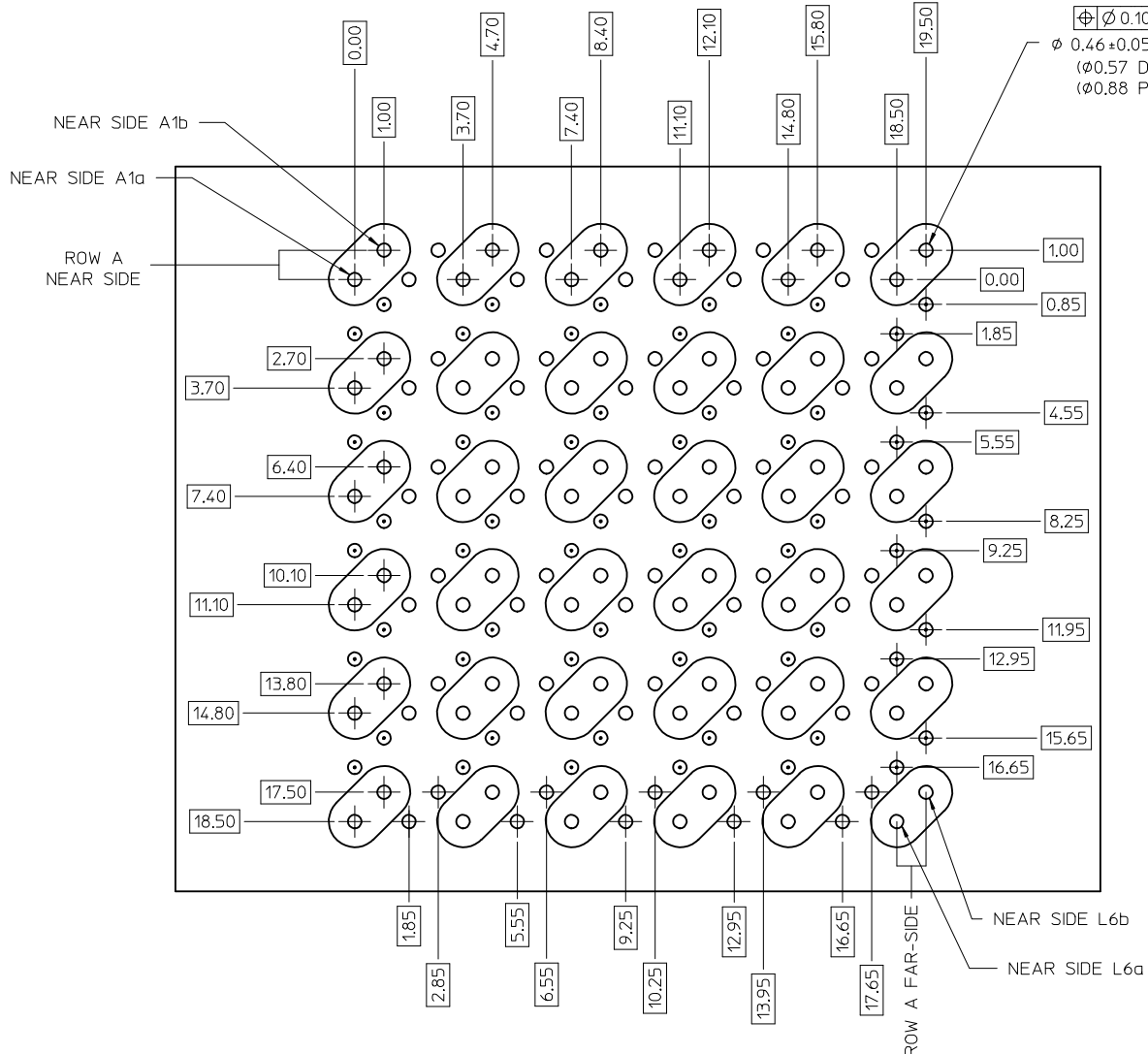


I-TRAC 11 ROW  
BOARD RELATIONSHIPS

SCALE 2:1



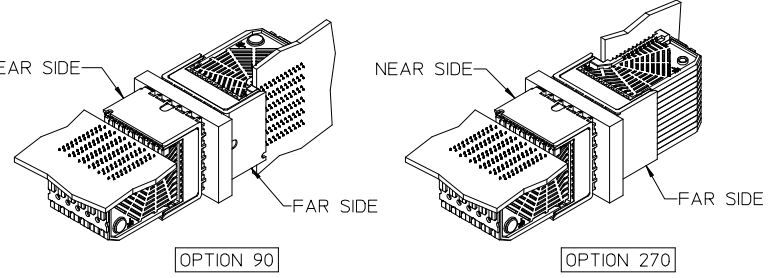
|   |  |  |  |  |   |
|---|--|--|--|--|---|
| SEE SHEET 1<br>EC NO: UCP2013-1898<br>DRW:MP0FF 2012/11/12<br>CHKD:MMOLFE 2012/11/12<br>APPR:SMILLER 2012/12/21 | QUALITY SYMBOLS<br>▽=0<br>▽=0<br>▽=0   | GENERAL TOLERANCES (UNLESS SPECIFIED)<br>mm INCH<br>4 PLACES ± --- ± ---<br>3 PLACES ± --- ± ---<br>2 PLACES ± 0.13 ± ---<br>1 PLACE ± 0.25 ± ---<br>0 PLACE ± ± | DIMENSION STYLE<br>MM ONLY<br>DRAWN BY DATE<br>JLAURX 1/28/05<br>CHECKED BY DATE<br>BPISZCZOR 6/02/06<br>APPROVED BY DATE<br>CBIXLER 6/02/06 | SCALE<br>4:1<br>DESIGN UNITS<br>METRIC<br>THIRD ANGLE PROJECTION | TITLE<br>I-TRAC BACKPLANE HEADER<br>UNGUIDED ASSEMBLY<br>SALES DRAWING<br>molex |
|   | REV<br>DESCRIPTION   | ANGULAR ±1/2°<br>DRAFT WHERE APPLICABLE<br>MUST REMAIN<br>WITHIN DIMENSIONS  | MATERIAL NO.<br>SEE TABLE  | DOCUMENT NO.<br>SD-75705-001                                     | SHEET NO.<br>3 OF 4   |
|   | THIS DRAWING CONTAINS INFORMATION THAT IS PROPRIETARY TO MOLEX<br>INCORPORATED AND SHOULD NOT BE USED WITHOUT WRITTEN PERMISSION |  |  |  |   |
|   | SIZE C   |  |  |  |   |



$\varnothing 0.10$   
 $\varnothing 0.46 \pm 0.05$  PTH  
 ( $\varnothing 0.57$  DRILL)  
 ( $\varnothing 0.88$  PAD)

| ORTHO PIN MAPPING                |         |         |         |         |         |
|----------------------------------|---------|---------|---------|---------|---------|
| OPTION 90 (NEAR SIDE - FAR SIDE) |         |         |         |         |         |
| A1b-L6b                          | A2b-J6b | A3b-G6b | A4b-E6b | A5b-C6b | A6b-A6b |
| A1a-L6a                          | A2a-J6a | A3a-G6a | A4a-E6a | A5a-C6a | A6a-A6a |
| C1b-L5b                          | C2b-J5b | C3b-G5b | C4b-E5b | C5b-C5b | C6b-A5b |
| C1a-L5a                          | C2a-J5a | C3a-G5a | C4a-E5a | C5a-C5a | C6a-A5a |
| E1b-L4b                          | E2b-J4b | E3b-G4b | E4b-E4b | E5b-C4b | E6b-A4b |
| E1a-L4a                          | E2a-J4a | E3a-G4a | E4a-E4a | E5a-C4a | E6a-A4a |
| G1b-L3b                          | G2b-J3b | G3b-G3b | G4b-E3b | G5b-C3b | G6b-A3b |
| G1a-L3a                          | G2a-J3a | G3a-G3a | G4a-E3a | G5a-C3a | G6a-A3a |
| J1b-L2b                          | J2b-J2b | J3b-G2b | J4b-E2b | J5b-C2b | J6b-A2b |
| J1a-L2a                          | J2a-J2a | J3a-G2a | J4a-E2a | J5a-C2a | J6a-A2a |
| L1b-L1b                          | L2b-J1b | L3b-G1b | L4b-E1b | L5b-C1b | L6b-A1b |
| L1a-L1a                          | L2a-J1a | L3a-G1a | L4a-E1a | L5a-C1a | L6a-A1a |

| ORTHO PIN MAPPING                 |         |         |         |         |         |
|-----------------------------------|---------|---------|---------|---------|---------|
| OPTION 270 (NEAR SIDE - FAR SIDE) |         |         |         |         |         |
| A1b-A1a                           | A2b-C1a | A3b-E1a | A4b-G1a | A5b-J1a | A6b-L1a |
| A1a-A1b                           | A2a-C1b | A3a-E1b | A4a-G1b | A5a-J1b | A6a-L1b |
| C1b-A2a                           | C2b-C2a | C3b-E2a | C4b-G2a | C5b-J2a | C6b-L2a |
| C1a-A2b                           | C2a-C2b | C3a-E2b | C4a-G2b | C5a-J2b | C6a-L2b |
| E1b-A3a                           | E2b-C3a | E3b-E3a | E4b-G3a | E5b-J3a | E6b-L3a |
| E1a-A3b                           | E2a-C3b | E3a-E3b | E4a-G3b | E5a-J3b | E6a-L3b |
| G1b-A4a                           | G2b-C4a | G3b-E4a | G4b-G4a | G5b-J4a | G6b-L4a |
| G1a-A4b                           | G2a-C4b | G3a-E4b | G4a-G4b | G5a-J4b | G6a-L4b |
| J1b-A5a                           | J2b-C5a | J3b-E5a | J4b-G5a | J5b-J5a | J6b-L5a |
| J1a-A5b                           | J2a-C5b | J3a-E5b | J4a-G5b | J5a-J5b | J6a-L5b |
| L1b-A6a                           | L2b-C6a | L3b-E6a | L4b-G6a | L5b-J6a | L6b-L6a |
| L1a-A6b                           | L2a-C6b | L3a-E6b | L4a-G6b | L5a-J6b | L6a-L6b |



- NOTES:
- SIGNAL PAIRS (SHARED VIAS)
  - NEAR SIDE GROUNDS
  - FAR SIDE GROUNDS

Orthogonal PCB Layout

| SEE SHEET 1<br>EC NO: UCP2013-1898<br>DRWIN:POFF 2012/11/12<br>CHKD:MWOLFE 2012/11/12<br>APPR:SMILLER 2012/12/21              | QUALITY SYMBOLS<br>$\nabla = \varnothing$<br>$\nabla = \varnothing$<br>$\nabla = \varnothing$ | GENERAL TOLERANCES (UNLESS SPECIFIED)<br><table border="1"> <thead> <tr> <th></th> <th>mm</th> <th>INCH</th> </tr> </thead> <tbody> <tr><td>4 PLACES</td><td><math>\pm</math> ---</td><td><math>\pm</math> ---</td></tr> <tr><td>3 PLACES</td><td><math>\pm</math> ---</td><td><math>\pm</math> ---</td></tr> <tr><td>2 PLACES</td><td><math>\pm</math> 0.13</td><td><math>\pm</math> ---</td></tr> <tr><td>1 PLACE</td><td><math>\pm</math> 0.25</td><td><math>\pm</math> ---</td></tr> <tr><td>0 PLACE</td><td><math>\pm</math></td><td><math>\pm</math></td></tr> </tbody> </table> |                                      | mm                   | INCH | 4 PLACES | $\pm$ --- | $\pm$ --- | 3 PLACES | $\pm$ --- | $\pm$ --- | 2 PLACES | $\pm$ 0.13 | $\pm$ --- | 1 PLACE | $\pm$ 0.25 | $\pm$ --- | 0 PLACE | $\pm$ | $\pm$ | DIMENSION STYLE<br><b>MM ONLY</b><br>DRAWN BY: JLAURX DATE: 1/28/05<br>CHECKED BY: BPI SZCZOR DATE: 6/02/06<br>APPROVED BY: CBIXLER DATE: 6/02/06 | SCALE: 4:1<br>DESIGN UNITS: METRIC<br>THIRD ANGLE PROJECTION |
|---|---|--|--------------------------------------|----------------------|------|----------|-----------|-----------|----------|-----------|-----------|----------|------------|-----------|---------|------------|-----------|---------|-------|-------|---|--|
|   |   | mm   | INCH                                 |                      |      |          |           |           |          |           |           |          |            |           |         |            |           |         |       |       |   |  |
|   | 4 PLACES  | $\pm$ ---  | $\pm$ ---                            |                      |      |          |           |           |          |           |           |          |            |           |         |            |           |         |       |       |   |  |
|   | 3 PLACES  | $\pm$ ---  | $\pm$ ---                            |                      |      |          |           |           |          |           |           |          |            |           |         |            |           |         |       |       |   |  |
|   | 2 PLACES  | $\pm$ 0.13   | $\pm$ ---                            |                      |      |          |           |           |          |           |           |          |            |           |         |            |           |         |       |       |   |  |
| 1 PLACE   | $\pm$ 0.25  | $\pm$ ---  |                                      |                      |      |          |           |           |          |           |           |          |            |           |         |            |           |         |       |       |   |  |
| 0 PLACE   | $\pm$   | $\pm$  |                                      |                      |      |          |           |           |          |           |           |          |            |           |         |            |           |         |       |       |   |  |
|   | ANGULAR $\pm 1/2^\circ$<br>DRAFT WHERE APPLICABLE MUST REMAIN WITHIN DIMENSIONS               | MATERIAL NO.:<br><b>SEE TABLE</b>  | DOCUMENT NO.:<br><b>SD-75705-001</b> | SHEET NO.:<br>4 OF 4 |      |          |           |           |          |           |           |          |            |           |         |            |           |         |       |       |   |  |
| THIS DRAWING CONTAINS INFORMATION THAT IS PROPRIETARY TO MOLEX INCORPORATED AND SHOULD NOT BE USED WITHOUT WRITTEN PERMISSION |   |  |                                      |                      |      |          |           |           |          |           |           |          |            |           |         |            |           |         |       |       |   |  |



## Стандарт Электрон Связь

Мы молодая и активно развивающаяся компания в области поставок электронных компонентов. Мы поставляем электронные компоненты отечественного и импортного производства напрямую от производителей и с крупнейших складов мира.

Благодаря сотрудничеству с мировыми поставщиками мы осуществляем комплексные и плановые поставки широчайшего спектра электронных компонентов.

Собственная эффективная логистика и склад в обеспечивает надежную поставку продукции в точно указанные сроки по всей России.

Мы осуществляем техническую поддержку нашим клиентам и предпродажную проверку качества продукции. На все поставляемые продукты мы предоставляем гарантию .

Осуществляем поставки продукции под контролем ВП МО РФ на предприятия военно-промышленного комплекса России , а также работаем в рамках 275 ФЗ с открытием отдельных счетов в уполномоченном банке. Система менеджмента качества компании соответствует требованиям ГОСТ ISO 9001.

Минимальные сроки поставки, гибкие цены, неограниченный ассортимент и индивидуальный подход к клиентам являются основой для выстраивания долгосрочного и эффективного сотрудничества с предприятиями радиоэлектронной промышленности, предприятиями ВПК и научно-исследовательскими институтами России.

С нами вы становитесь еще успешнее!

### Наши контакты:

**Телефон:** +7 812 627 14 35

**Электронная почта:** [sales@st-electron.ru](mailto:sales@st-electron.ru)

**Адрес:** 198099, Санкт-Петербург,  
Промышленная ул, дом № 19, литера Н,  
помещение 100-Н Офис 331