



PM/P/P Cores Halves/EP/TT/PR Cores

Series/Type: P 18 x 11

The following products presented in this data sheet are being withdrawn.

| Ordering Code | Substitute Product | Date of Withdrawal | Deadline Last Orders | Last Shipments |
|-----------------|--------------------|--------------------|----------------------|----------------|
| B65651D0000R026 | B65651D0000R048 | 2002-08-02 | 2002-12-31 | 2003-03-31 |
| B65652A50000000 | | 2004-10-18 | 2005-03-31 | 2005-09-30 |
| B65659F0001X101 | B65659F0001X023 | 2004-01-23 | | |

For further information please contact your nearest EPCOS sales office, which will also support you in selecting a suitable substitute. The addresses of our worldwide sales network are presented at www.epcos.com/sales.

P 18 × 11

Core

B65651

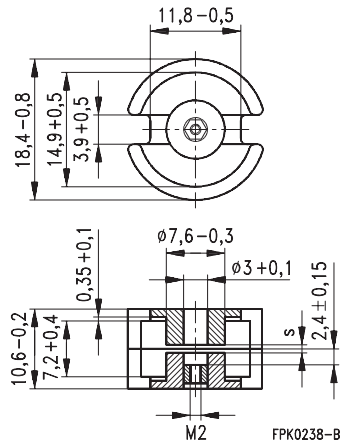
- In accordance with IEC 60133
- Pot cores are supplied in sets

Magnetic characteristics (per set)

| | with center hole | without center hole | |
|-------------|------------------|---------------------|------------------|
| $\Sigma//A$ | 0,6 | 0,57 | mm ⁻¹ |
| l_e | 25,9 | 26,6 | mm |
| A_e | 43 | 46,7 | mm ² |
| A_{min} | — | 33,9 | mm ² |
| V_e | 1 120 | 1 240 | mm ³ |

Approx. weight (per set)

| m | 6,0 | 6,6 | g |
|-----|-----|-----|---|
| | | | |



Gapped

| Material | A_L value nH | s approx. mm | μ_e | Ordering code ¹⁾ -D with center hole -T w. threaded sleeve |
|----------|-------------------|--------------------|---------|---|
| K1 | 40 ± 3 % | 1,60 | 19 | B65651-+40-A1 |
| M33 | 100 ± 3 % | 0,60 | 48 | B65651-+100-A33 |
| N48 | 160 ± 2 % | 0,32 | 77 | B65651-+160-G48 |
| | 250 ± 3 % | 0,20 | 120 | B65651-+250-A48 |
| | 315 ± 3 % | 0,15 | 151 | B65651-+315-A48 |
| | 400 ± 3 % | 0,10 | 192 | B65651-+400-A48 |
| | 500 ± 3 % | 0,07 | 240 | B65651-+500-A48 |
| | 630 ± 5 % | 0,05 | 302 | B65651-D630-J48 |

Ungapped

| Material | A_L value nH | μ_e | A_{L1min} nH | P_V W/set | Ordering code -D with center hole -W w/o center hole |
|----------|-------------------|---------|-------------------|-------------------------------------|--|
| N26 | 2900 + 30/- 20 % | 1380 | | | B65651-D-R26 |
| N30 | 5900 + 30/- 20 % | 2680 | | | B65651-W-R30 |
| T38 | 12600 + 40/- 30 % | 5710 | | | B65651-W-Y38 |
| N87 | 3600 + 30/- 20 % | 1630 | 2000 | < 0,46 (200 mT, 100 kHz, 100 °C) | B65651-W-R87 |

1) Replace the + by the code letter "D" or "T" for the required version.

Coil former

- Standard: to IEC 60133 and DIN 41 294
- Material: GFR polyterephthalate (UL 94 V-0, insulation class to IEC 60085: F \triangleq max. operating temperature 155 °C), color code black
- Winding: see "Processing Notes", page 155

Insulating washer 1 between core and coil former

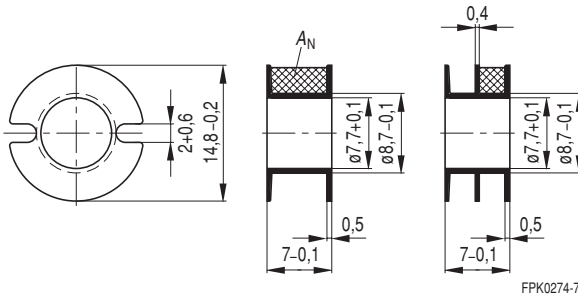
- For tolerance compensation and for insulation
- Polycarbonate spring washer (UL 94 V-0, insulation class to IEC 60085: E \triangleq 120 °C), 0,04 mm thick

Insulating washer 2 between core and terminal carrier

- For increased dielectric strength
- Made of polycarbonate (UL 94 V-0, insulation class to IEC 60085: E \triangleq 120 °C), 0,08 mm thick

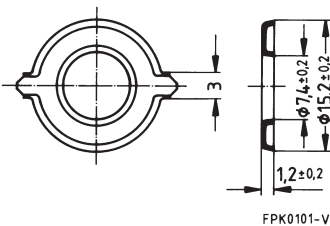
| Coil former | | | | Bestellnummer |
|---|--------------------------|-------------|----------------------------|---------------|
| Sections | A_N mm ² | l_N mm | A_R value $\mu\Omega$ | |
| 1 | 16 | 35,6 | 87 | B65652-B-T1 |
| 2 | 13 | 35,6 | 94 | B65652-B-T2 |
| Insulating washer 1 (reel packing, PU = 1 reel) | | | | B65652-A5000 |
| Insulating washer 2 (bulk) | | | | B65652-A5002 |

Coil former



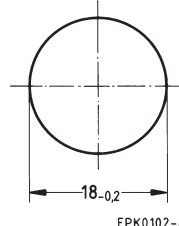
FPK0274-7

Insulating washer 1



FPK0101-V

Insulating washer 2



FPK0102-4

Mounting assembly for printed circuit boards

- The set comprises a terminal carrier and a yoke
- For snap-in connection

Terminal carrier

Material: GFR polyterephthalate (UL 94 V-0, insulation class to IEC 60085: F \triangleq max. operating temperature 155 °C), color code gray

Solderability: to IEC 60068-2-20, test Ta, method 1 (aging 3): 235 °C, 2 s

Resistance to soldering heat: to IEC 60068-2-20, test Tb, method 1B: 350 °C, 3,5 s

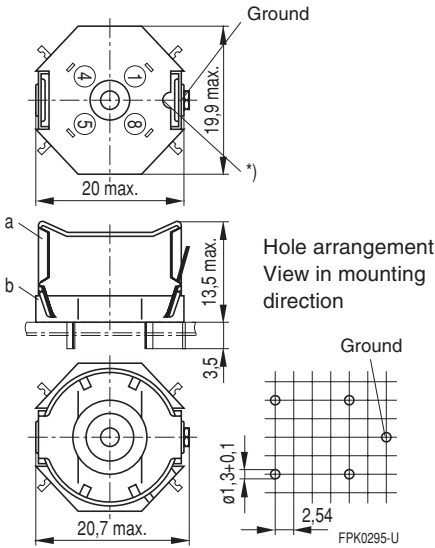
Yoke

Spring yoke, made of tinned nickel silver (0,3 mm), with ground terminal

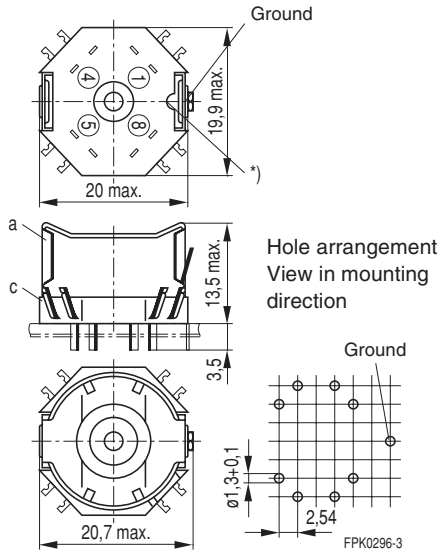
Complete mounting assembly
(4 solder terminals)
Ordering code: B65655-B9

Complete mounting assembly
(8 solder terminals)
Ordering code: B65655-B10

4 solder terminals



8 solder terminals



*) This recess must be on the side of the grounding pin to ensure that the yoke locks in position.

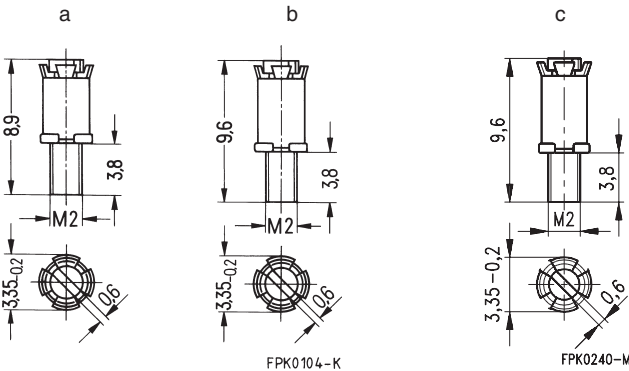
- a) Yoke
- b) Terminal carrier with 4 solder terminals
- c) Terminal carrier with 8 solder terminals

Adjusting screw

- Tube core with thread and core brake made of GFR polyterephthalate
- Plastic **adjusting screwdriver** (not shown)
- Plastic **handle** for adjusting screwdriver (not shown)

| Core P 18 × 11 | | Adjusting screw | | | | Min. adjusting range % | Ordering code |
|------------------------------|-------------------------|-----------------|---------------|----------|------------|------------------------|----------------|
| Material | A _L value nH | Fig. | ∅ × length mm | Material | Color code | | |
| K 1 | 40 | a | 2,62 × 3,6 | Si 1 | white | 13 | B65659-F1-X101 |
| M 33 | 100 | a | 2,62 × 3,6 | Si 1 | white | 10 | B65659-F1-X101 |
| N 48 | 160 | a | 2,62 × 3,6 | Si 1 | white | 7 | B65659-F1-X101 |
| | 250 | a | 2,62 × 3,6 | K 1 | green | 10 | B65659-F1-X1 |
| | 315 | b | 2,75 × 4,4 | N 22 | black | 16 | B65659-F3-X23 |
| | 400 | | | | | 12 | |
| | 400 | c | 2,82 × 4,4 | N 22 | yellow | 16 | B65659-F4-X23 |
| 500 | 13 | | | | | | |
| Adjusting screwdriver | | | | | | | B63399-B4 |
| Handle | | | | | | | B63399-B5 |

Adjusting screw



Herausgegeben von EPCOS AG

Marketing Kommunikation, Postfach 80 17 09, 81617 München, DEUTSCHLAND

© EPCOS AG 2000. Alle Rechte vorbehalten. Vervielfältigung, Veröffentlichung, Verbreitung und Verwertung dieser Broschüre und ihres Inhalts ohne ausdrückliche Genehmigung der EPCOS AG nicht gestattet.

Mit den Angaben in dieser Broschüre werden die Bauelemente spezifiziert, keine Eigenschaften zugesichert. Bestellungen unterliegen den vom ZVEI empfohlenen Allgemeinen Lieferbedingungen für Erzeugnisse und Leistungen der Elektroindustrie, soweit nichts anderes vereinbart wird.

Diese Broschüre ersetzt die vorige Ausgabe.

Fragen über Technik, Preise und Liefermöglichkeiten richten Sie bitte an den Ihnen nächstgelegenen Vertrieb der EPCOS AG oder an unsere Vertriebsgesellschaften im Ausland.

Bauelemente können aufgrund technischer Erfordernisse Gefahrstoffe enthalten. Auskünfte darüber bitten wir unter Angabe des betreffenden Typs ebenfalls über die zuständige Vertriebsgesellschaft einzuholen.

Published by EPCOS AG

Marketing Communications, P.O. Box 80 17 09, 81617 Munich, GERMANY

© EPCOS AG 2000. All Rights Reserved. Reproduction, publication and dissemination of this brochure and the information contained therein without EPCOS' prior express consent is prohibited.

The information contained in this brochure describes the type of component and shall not be considered as guaranteed characteristics. Purchase orders are subject to the General Conditions for the Supply of Products and Services of the Electrical and Electronics Industry recommended by the ZVEI (German Electrical and Electronic Manufacturers' Association), unless otherwise agreed.

This brochure replaces the previous edition.

For questions on technology, prices and delivery please contact the Sales Offices of EPCOS AG or the international Representatives.

Due to technical requirements components may contain dangerous substances. For information on the type in question please also contact one of our Sales Offices.



**Стандарт
Электрон
Связь**

Мы молодая и активно развивающаяся компания в области поставок электронных компонентов. Мы поставляем электронные компоненты отечественного и импортного производства напрямую от производителей и с крупнейших складов мира.

Благодаря сотрудничеству с мировыми поставщиками мы осуществляем комплексные и плановые поставки широчайшего спектра электронных компонентов.

Собственная эффективная логистика и склад в обеспечивает надежную поставку продукции в точно указанные сроки по всей России.

Мы осуществляем техническую поддержку нашим клиентам и предпродажную проверку качества продукции. На все поставляемые продукты мы предоставляем гарантию .

Осуществляем поставки продукции под контролем ВП МО РФ на предприятия военно-промышленного комплекса России , а также работаем в рамках 275 ФЗ с открытием отдельных счетов в уполномоченном банке. Система менеджмента качества компании соответствует требованиям ГОСТ ISO 9001.

Минимальные сроки поставки, гибкие цены, неограниченный ассортимент и индивидуальный подход к клиентам являются основой для выстраивания долгосрочного и эффективного сотрудничества с предприятиями радиоэлектронной промышленности, предприятиями ВПК и научно-исследовательскими институтами России.

С нами вы становитесь еще успешнее!

Наши контакты:

Телефон: +7 812 627 14 35

Электронная почта: sales@st-electron.ru

Адрес: 198099, Санкт-Петербург,
Промышленная ул, дом № 19, литера Н,
помещение 100-Н Офис 331