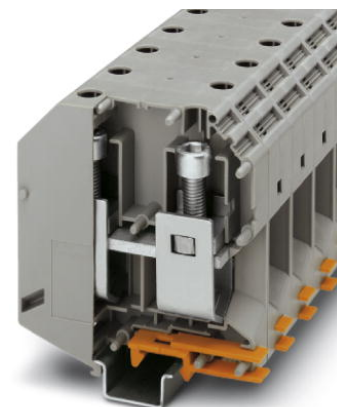


# UKH 150

Order No.: 3010110



<http://eshop.phoenixcontact.de/phoenix/treeViewClick.do?UID=3010110>

Feed-through modular terminal block, Type of connection: Screw connection, Screw connection, Cross section: 35 mm<sup>2</sup> - 150 mm<sup>2</sup>, AWG 2 - 300 kcmil, Width: 31 mm, Color: gray, Mounting type: NS 35/15, NS 32



## Commercial data

|                          |                   |
|--------------------------|-------------------|
| EAN                      | 4017918091842     |
| Pack                     | 10 pcs.           |
| Customs tariff           | 85369010          |
| Weight/Piece             | 0.36327 KG        |
| Catalog page information | Page 31 (CL-2009) |

## Product notes

WEEE/RoHS-compliant since: 09/01/2005



<http://www.download.phoenixcontact.com>  
Please note that the data given here has been taken from the online catalog. For comprehensive information and data, please refer to the user documentation. The General Terms and Conditions of Use apply to Internet downloads.

## Technical data

### General

|                       |      |
|-----------------------|------|
| Number of levels      | 1    |
| Number of connections | 2    |
| Color                 | gray |

|                                    |    |
|------------------------------------|----|
| Insulating material                | PA |
| Inflammability class acc. to UL 94 | V0 |

**Dimensions**

|                 |          |
|-----------------|----------|
| Width           | 31 mm    |
| Length          | 100 mm   |
| Height NS 35/15 | 118.5 mm |
| Height NS 32    | 116 mm   |

**Technical data**

|                                  |  |
|----------------------------------|--|
| Maximum load current             | 309 A (with 150 mm <sup>2</sup> conductor cross section) |
| Rated surge voltage              | 8 kV   |
| Pollution degree                 | 3  |
| Surge voltage category           | III  |
| Insulating material group        | I  |
| Connection in acc. with standard | IEC 60947-7-1  |
| Nominal current I <sub>N</sub>   | 309 A  |
| Nominal voltage U <sub>N</sub>   | 1000 V   |
| Open side panel                  | nein   |

**Connection data**

|  |                     |
|--|---------------------|
| Conductor cross section solid min.   | 35 mm <sup>2</sup>  |
| Conductor cross section solid max.   | 150 mm <sup>2</sup> |
| Conductor cross section stranded min.                                      | 50 mm <sup>2</sup>  |
| Conductor cross section stranded max.                                      | 150 mm <sup>2</sup> |
| Conductor cross section AWG/kcmil min.                                     | 2                   |
| Conductor cross section AWG/kcmil max                                      | 300 kcmil           |
| Conductor cross section stranded, with ferrule without plastic sleeve min. | 50 mm <sup>2</sup>  |
| Conductor cross section stranded, with ferrule without plastic sleeve max. | 150 mm <sup>2</sup> |
| Conductor cross section stranded, with ferrule with plastic sleeve min.    | 50 mm <sup>2</sup>  |
| Conductor cross section stranded, with ferrule with plastic sleeve max.    | 150 mm <sup>2</sup> |
| 2 conductors with same cross section, solid min.                           | 25 mm <sup>2</sup>  |
| 2 conductors with same cross section, solid max.                           | 50 mm <sup>2</sup>  |
| 2 conductors with same cross section, stranded min.                        | 35 mm <sup>2</sup>  |

|   |                     |
|---|---------------------|
| 2 conductors with same cross section, stranded max.                                   | 50 mm <sup>2</sup>  |
| 2 conductors with same cross section, stranded, ferrules without plastic sleeve, min. | 25 mm <sup>2</sup>  |
| 2 conductors with same cross section, stranded, ferrules without plastic sleeve, max. | 50 mm <sup>2</sup>  |
| Cross-section with insertion bridge, solid max.                                       | 150 mm <sup>2</sup> |
| Cross-section with insertion bridge, stranded max.                                    | 120 mm <sup>2</sup> |
| Type of connection  | Screw connection    |
| Stripping length  | 40 mm               |
| Screw thread  | M10                 |
| Tightening torque, min  | 25 Nm               |
| Tightening torque max   | 30 Nm               |

### Certificates / Approvals



Certification

BV, CSA, DNV, GOST, PRS, RS, UL

Certification Ex:

CUL-EX, FM, IECEx, KEMA-EX, UL-EX

#### CSA

|                                |       |
|--------------------------------|-------|
| Nominal voltage U <sub>N</sub> | 600 V |
| Nominal current I <sub>N</sub> | 275 A |
| AWG/kcmil                      | 2-300 |

#### UL

|                                |       |
|--------------------------------|-------|
| Nominal voltage U <sub>N</sub> | 600 V |
| Nominal current I <sub>N</sub> | 285 A |
| AWG/kcmil                      | 2-300 |

### Accessories

| Item            | Designation        | Description  |
|-----------------|--------------------|--|
| <b>Assembly</b> |                    |  |
| 3003554         | AGK 10-UKH 150/240 | Pick-off terminal block, Type of connection: Special and hybrid connection, Cross section: 0.5 mm <sup>2</sup> - 16 mm <sup>2</sup> , AWG 20 - 6, Width: 10.2 mm, Height: 34.7 mm, Color: gray |

|         |                               |   |
|---------|-------------------------------|---|
| 1201659 | E/AL-NS 32                    | End bracket, for end support of UKH 50 - UKH 240, is pushed onto DIN rail NS 32 and fixed with 2 screws, width: 10 mm, color: Aluminum  |
| 1201662 | E/AL-NS 35                    | End bracket, for end support of UKH 50 to UKH 240, is pushed onto DIN rail NS 35 and fixed with 2 screws, width: 10 mm, color: aluminum |
| 1201028 | NS 32 AL UNPERF 2000MM        | G rail 32 mm (NS 32)  |
| 1201280 | NS 32 CU/120QMM UNPERF 2000MM | G-profile DIN rail, deep-drawn, material: Copper, unperforated, height 15 mm, width 32 mm, length 2 m                                   |
| 1201358 | NS 32 CU/35QMM UNPERF 2000MM  | G-profile DIN rail, material: Copper, unperforated, height 15 mm, width 32 mm, length 2 m   |
| 1201002 | NS 32 PERF 2000MM             | G-profile DIN rail, material: Steel, perforated, height 15 mm, width 32 mm, length 2 m  |
| 1201015 | NS 32 UNPERF 2000MM           | G-profile DIN rail, material: Steel, unperforated, height 15 mm, width 32 mm, length 2 m  |
| 1201756 | NS 35/15 AL UNPERF 2000MM     | DIN rail, deep-drawn, high profile, unperforated, 1.5 mm thick, material: Aluminum, height 15 mm, width 35 mm, length 2 m               |
| 1201895 | NS 35/15 CU UNPERF 2000MM     | DIN rail, material: Copper, unperforated, 1.5 mm thick, height 15 mm, width 35 mm, length: 2 m  |
| 1201730 | NS 35/15 PERF 2000MM          | DIN rail, material: Steel, perforated, height 15 mm, width 35 mm, length: 2 m   |
| 1201714 | NS 35/15 UNPERF 2000MM        | DIN rail, material: Steel, unperforated, height 15 mm, width 35 mm, length: 2 m   |
| 1201798 | NS 35/15-2,3 UNPERF 2000MM    | DIN rail, material: Steel, unperforated, 2.3 mm thick, height 15 mm, width 35 mm, length: 2 m   |

**Bridges**

|         |             |   |
|---------|-------------|---|
| 0201388 | EB 2-31/UKH | Cross connector/bridge, Number of positions: 2, Color: gray |
| 0201391 | EB 3-31/UKH | Cross connector/bridge, Number of positions: 3, Color: gray |

**Marking**

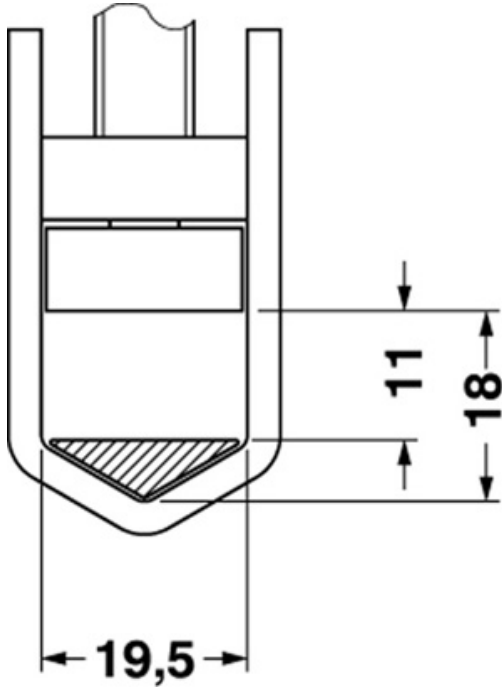
|         |             |   |
|---------|-------------|---|
| 1004513 | WS-2K       | Adhesive warning plate, self-adhesive, black print: lightning flash with mixed version - "Vorsicht Spannung - Attention Danger" size of label: 32 x 26 mm |
| 1050525 | ZB10:SO/CMS | Zack strip, 10-section, divisible, special printing, marking according to customer requirements   |

**Plug/Adapter**

|         |                |                   |
|---------|----------------|-------------------|
| 3009244 | UKH 150/240 EP | Insertion profile |
|---------|----------------|-------------------|

## Diagrams/Drawings

Dimensioned drawing



Circuit diagram



Approbationslogos (EX-Bereich)





**Address**

PHOENIX CONTACT Deutschland GmbH  
Flachmarktstr. 8  
32825 Blomberg, Germany  
Phone +49 5235 3 12000  
Fax +49 5235 3 41200  
<http://www.phoenixcontact.de>



© 2010 Phoenix Contact  
Technical modifications reserved;



## Стандарт Электрон Связь

Мы молодая и активно развивающаяся компания в области поставок электронных компонентов. Мы поставляем электронные компоненты отечественного и импортного производства напрямую от производителей и с крупнейших складов мира.

Благодаря сотрудничеству с мировыми поставщиками мы осуществляем комплексные и плановые поставки широчайшего спектра электронных компонентов.

Собственная эффективная логистика и склад в обеспечивает надежную поставку продукции в точно указанные сроки по всей России.

Мы осуществляем техническую поддержку нашим клиентам и предпродажную проверку качества продукции. На все поставляемые продукты мы предоставляем гарантию .

Осуществляем поставки продукции под контролем ВП МО РФ на предприятия военно-промышленного комплекса России , а также работаем в рамках 275 ФЗ с открытием отдельных счетов в уполномоченном банке. Система менеджмента качества компании соответствует требованиям ГОСТ ISO 9001.

Минимальные сроки поставки, гибкие цены, неограниченный ассортимент и индивидуальный подход к клиентам являются основой для выстраивания долгосрочного и эффективного сотрудничества с предприятиями радиоэлектронной промышленности, предприятиями ВПК и научно-исследовательскими институтами России.

С нами вы становитесь еще успешнее!

### Наши контакты:

**Телефон:** +7 812 627 14 35

**Электронная почта:** [sales@st-electron.ru](mailto:sales@st-electron.ru)

**Адрес:** 198099, Санкт-Петербург,  
Промышленная ул, дом № 19, литера Н,  
помещение 100-Н Офис 331