

Digital controllers for lighting and power conversion applications with up to 6 programmable PWM generators, 96 MHz PLL, DALI

Datasheet - production data



Features

- Up to 6 programmable PWM generators (SMEDs - "State Machine Event Driven")
 - 10 ns event detection and reaction
 - Max. 1.3 ns PWM resolution
 - Single, coupled and two coupled operational modes
 - Up to 3 internal/external events per SMED
- DALI (digital addressable lighting interface)
 - Interrupt driven hardware encoder
 - Bus frequency: 1.2, 2.4 or 4.8 kHz
 - IEC 60929 and IEC 62386 compliant plus 24-bit frame extension
 - Configurable noise rejection filter
 - Reverse polarity on Tx/Rx lines
- 4 analog comparators
 - 4 internal 4-bit references
 - 1 external reference
 - Less than 50 ns propagation time
 - Continuous comparison cycle
- ADCs (up to 8 channels)
 - 10-bit precision, with operational amplifier to extend resolution to 12-bit equivalent
 - Sequencer functionality
 - Input impedance: 1 M Ω
 - Configurable gain value: x1 and x4
- Integrated microcontroller
 - Advanced STM8[®] core with Harvard architecture and 3-stage pipeline
 - Max. f_{CPU}: 16 MHz
 - Multiple low power modes
- Memories
 - Flash and E²PROM with read while write (RWW) and error correction code (ECC)
 - Program memory: 32 Kbytes Flash; data retention 15 years at 85 °C after 10 kcycles at 25 °C
 - Data memory: 1 Kbyte true data E²PROM; data retention: 15 years at 85 °C after 100 kcycles at 85 °C
 - RAM: 2 Kbytes
- Clock management
 - Internal 96 MHz PLL
 - Low power oscillator circuit for external crystal resonator or direct clock input
 - Internal, user-trimmable 16 MHz RC and low power 153.6 kHz RC oscillators
 - Clock security system with clock monitor
- Basic peripherals
 - System and auxiliary timers
 - IWDG/WWDG watchdog, AWU, ITC
- I/O
 - GPIO with highly robust design, immune against current injection
 - Fast digital input DIGIN, with configurable pull-up
- Communication interfaces
 - UART asynchronous with SW flow control and boot loader support
 - I²C master/slave fast-slow speed rate
- Operating temperature: -40 °C up to 105 °C

Table 1. Device summary

| Part number | Package |
|----------------------|----------|
| STLUX385A, STLUX383A | TSSOP38 |
| STLUX325A | VFQFPN32 |
| STLUX285A | TSSOP28 |

Contents

- 1 Description 10**
- 2 STLUX family features list 11**
- 3 Introducing SMED 12**
 - Documentation 12
- 4 System architecture 13**
 - Block diagram 14
- 5 Product overview 15**
 - 5.1 SMED (state machine event driven): configurable PWM generator 15
 - 5.1.1 SMED coupling schemes 15
 - 5.1.2 Connection matrix 16
 - Connection matrix interconnection. 18
 - 5.2 Internal controller (CPU) 20
 - 5.2.1 Architecture and registers 20
 - 5.2.2 Addressing 20
 - 5.2.3 Instruction set 20
 - 5.2.4 Single wire interface module (SWIM) 20
 - 5.2.5 Debug module 21
 - 5.3 Basic peripherals 21
 - 5.3.1 Vectored interrupt controller 21
 - 5.3.2 Timers 21
 - 5.4 Flash program and data E²PROM 22
 - 5.4.1 Architecture 23
 - 5.4.2 Write protection (WP) 23
 - 5.4.3 Protection of user boot code (UBC) 23
 - 5.4.4 Readout protection (ROP) 24
 - 5.5 Clock controller 24
 - 5.5.1 Internal 16 MHz RC oscillator (HSI) 24
 - 5.5.2 Internal 153.6 kHz RC oscillator (LSI) 25
 - 5.5.3 Internal 96 MHz PLL 25
 - 5.5.4 External clock input/crystal oscillator (HSE) 25



| | | |
|----------|---|-----------|
| 5.6 | Power management | 25 |
| 5.7 | Communication interfaces | 26 |
| 5.7.1 | Digital addressable lighting interface (DALI) | 26 |
| 5.7.2 | Universal asynchronous receiver/transmitter (UART) | 27 |
| 5.7.3 | Inter-integrated circuit interface (I ² C) | 27 |
| 5.8 | Analog-to-digital converter (ADC) | 28 |
| 5.9 | Analog comparators | 29 |
| 6 | Pinout and pin description | 30 |
| 6.1 | Pinout | 30 |
| 6.2 | Pin description | 32 |
| 6.3 | Input/output specifications | 34 |
| 7 | I/O multifunction signal configuration | 35 |
| 7.1 | Multifunction configuration policy | 35 |
| 7.2 | Port P0 I/O multifunction configuration signal | 35 |
| 7.2.1 | Alternate function P0 configuration signals | 35 |
| 7.2.2 | Port P0 diagnostic signals | 36 |
| 7.2.3 | Port P0 I/O functional multiplexing signal | 37 |
| 7.2.4 | P0 interrupt capability | 37 |
| 7.2.5 | P0 programmable pull-up and speed feature | 37 |
| 7.3 | Port P1 I/O multifunction configuration signal | 38 |
| 7.3.1 | Port P1 I/O multiplexing signal | 39 |
| 7.3.2 | P1 programmable pull-up feature | 39 |
| 7.4 | Port P2 I/O multifunction configuration signal | 39 |
| 7.4.1 | P2 interrupt capability | 40 |
| 7.4.2 | P2 programmable pull-up feature | 40 |
| 7.5 | Multifunction Port configuration registers | 41 |
| | MSC_IOMUXP0 (Port P1 I/O MUX control register) | 41 |
| | MSC_IOMUXP1 (Port P1 I/O MUX control register) | 42 |
| | MSC_IOMUXP2 (Port P2 I/O MUX control register) | 43 |
| | MSC_INPP2AUX1 (INPP aux register) | 44 |
| 8 | Memory and register map | 45 |
| 8.1 | Memory map overview | 45 |
| 8.2 | Register map | 46 |

| | | |
|-----------|---|-----------|
| 8.2.1 | General purpose I/O GPIO0 register map | 46 |
| 8.2.2 | General purpose I/O GPIO1 register map | 46 |
| 8.2.3 | Miscellaneous registers | 47 |
| 8.2.4 | Flash and E ² PROM non-volatile memories | 49 |
| 8.2.5 | Reset register | 49 |
| 8.2.6 | Clock and clock controller | 50 |
| 8.2.7 | WWDG timers | 51 |
| 8.2.8 | IWDG timers | 51 |
| 8.2.9 | AWU timers | 51 |
| 8.2.10 | Inter-integrated circuit interface (I ² C) | 52 |
| 8.2.11 | Universal asynchronous receiver/transmitter (UART) | 52 |
| 8.2.12 | System timer registers | 53 |
| 8.2.13 | Auxiliary timer registers | 53 |
| 8.2.14 | Digital addressable lighting interface (DALI) | 53 |
| 8.2.15 | DALI noise rejection filter registers | 54 |
| 8.2.16 | Analog-to-digital converter (ADC) | 54 |
| 8.2.17 | State machine event driven (SMEDs) | 55 |
| 8.2.18 | CPU register | 56 |
| 8.2.19 | Global configuration register | 56 |
| 8.2.20 | Interrupt controller | 57 |
| 8.2.21 | SWIM control register | 57 |
| 9 | Interrupt table | 58 |
| 10 | Option bytes | 60 |
| 10.1 | Option byte register overview | 61 |
| 10.2 | Option byte register description | 69 |
| | ROP (memory readout protection register) | 69 |
| | UBC (UBC user boot code register) | 69 |
| | nUBC (UBC user boot code register protection) | 70 |
| | GENCFG (general configuration register) | 70 |
| | nGENCFG (general configuration register protection) | 71 |
| | MISCUOPT (miscellaneous configuration register) | 71 |
| | nMISCUOPT (miscellaneous configuration register protection) | 72 |
| | CLKCTL (CKC configuration register) | 72 |
| | nCLKCTL (CKC configuration register protection) | 73 |
| | HSESTAB (HSE clock stabilization register) | 73 |

| | | |
|-----------|---|-----------|
| | nHSESTAB (HSE clock stabilization register protection) | 73 |
| | WAITSTATE (Flash wait state register) | 74 |
| | nWAITSTATE (Flash wait state register protection) | 74 |
| | AFR_IOMXP0 (alternative Port0 configuration register) | 75 |
| | nAFR_IOMXP0 (alternative Port0 configuration register protection) | 75 |
| | AFR_IOMXP1 (alternative Port1 configuration register) | 76 |
| | nAFR_IOMXP1 (alternative Port1 configuration register protection) | 76 |
| | AFR_IOMXP2 (alternative Port2 configuration register) | 77 |
| | nAFR_IOMXP2 (alternative Port2 configuration register protection) | 77 |
| | MSC_OPT0 (miscellaneous configuration reg0) | 78 |
| | nMSC_OPT0 (miscellaneous configuration reg0 protection) | 78 |
| | OPTBL (option byte bootloader) | 79 |
| | nOPTBL (option byte boot loader protection) | 79 |
| 11 | Device identification | 80 |
| | 11.1 Unique ID | 80 |
| | 11.2 Device ID | 80 |
| 12 | Electrical characteristics | 82 |
| | 12.1 Parameter conditions | 82 |
| | 12.1.1 Minimum and maximum values | 82 |
| | 12.1.2 Typical values | 82 |
| | 12.1.3 Typical curves | 82 |
| | 12.1.4 Typical current consumption | 82 |
| | 12.1.5 Loading capacitors | 83 |
| | 12.1.6 Pin output voltage | 83 |
| | 12.2 Absolute maximum ratings | 84 |
| | 12.3 Operating conditions | 85 |
| | 12.3.1 VOUT external capacitor | 86 |
| | 12.3.2 Supply current characteristics | 86 |
| | 12.3.3 External clock sources and timing characteristics | 96 |
| | 12.3.4 Internal clock sources and timing characteristics | 99 |
| | 12.3.5 Memory characteristics | 100 |
| | 12.3.6 I/O port pin characteristics | 101 |
| | 12.3.7 Typical output level curves | 103 |
| | 12.3.8 Reset pin characteristics | 109 |
| | 12.3.9 I ² C interface characteristics | 109 |

| | | |
|-----------|--------------------------------------|------------|
| 12.3.10 | 10-bit SAR ADC characteristics | 110 |
| 12.3.11 | Analog comparator characteristics | 115 |
| 12.3.12 | DAC characteristics | 115 |
| 12.4 | EMC characteristics | 116 |
| 12.4.1 | Electrostatic discharge (ESD) | 116 |
| 12.4.2 | Static latch-up | 116 |
| 13 | Thermal characteristics | 117 |
| 14 | Package information | 118 |
| 14.1 | TSSOP38 package information | 118 |
| 14.2 | VFQFPN32 package information | 120 |
| 14.3 | TSSOP28 package information | 122 |
| 15 | STLUX development environment | 124 |
| 16 | Order codes | 125 |
| 17 | Revision history | 125 |

List of tables

| | | |
|-----------|---|----|
| Table 1. | Device summary | 1 |
| Table 2. | STLUX features list | 11 |
| Table 3. | Connection matrix interconnection | 19 |
| Table 4. | Pin description | 32 |
| Table 5. | Multifunction configuration registers | 35 |
| Table 6. | P0 internal multiplexing signals | 36 |
| Table 7. | Port P1 I/O multiplexing signal | 38 |
| Table 8. | Port P2 I/O multiplexing signal | 40 |
| Table 9. | MSC_IOMUXP0 (Port P1 I/O MUX control register) | 41 |
| Table 10. | MSC_IOMUXP1 (Port P1 I/O MUX control register) | 42 |
| Table 11. | MSC_IOMUXP2 (Port P2 I/O MUX control register) | 43 |
| Table 12. | MSC_INPP2AUX1 (INPP aux register) | 44 |
| Table 13. | Internal memory map | 45 |
| Table 14. | General purpose I/O GPIO0 register map | 46 |
| Table 15. | General purpose I/O GPIO1 register map | 46 |
| Table 16. | Miscellaneous direct register address mode | 47 |
| Table 17. | Miscellaneous indirect register address mode | 48 |
| Table 18. | Non-volatile memory register map | 49 |
| Table 19. | RST_SR register map | 49 |
| Table 20. | Clock and clock controller register map | 50 |
| Table 21. | WWDG timer register map | 51 |
| Table 22. | IWDG timer register map | 51 |
| Table 23. | AWU timer register map | 51 |
| Table 24. | I ² C register map | 52 |
| Table 25. | UART register map | 52 |
| Table 26. | System timer register map | 53 |
| Table 27. | Auxiliary timer register map | 53 |
| Table 28. | DALI register map | 53 |
| Table 29. | DALI filter register map | 54 |
| Table 30. | ADC register map and reset value | 54 |
| Table 31. | SMED register map | 55 |
| Table 32. | CPU register map | 56 |
| Table 33. | CFG_GCR register map | 56 |
| Table 34. | Interrupt software priority register map | 57 |
| Table 35. | SWIM register map | 57 |
| Table 36. | Interrupt vector exception table | 58 |
| Table 37. | Option byte register overview - STLUX385A | 61 |
| Table 38. | Option byte register overview - STLUX383A | 63 |
| Table 39. | Option byte register overview - STLUX325A | 65 |
| Table 40. | Option byte register overview - STLUX285A | 67 |
| Table 41. | ROP (memory readout protection register) | 69 |
| Table 42. | UBC (UBC user boot code register) | 69 |
| Table 43. | nUBC (UBC user boot code register protection) | 70 |
| Table 44. | GENCFG (general configuration register) | 70 |
| Table 45. | nGENCFG (general configuration register protection) | 71 |
| Table 46. | MISCUOPT (miscellaneous configuration register) | 71 |
| Table 47. | nMISCUOPT (miscellaneous configuration register protection) | 72 |
| Table 48. | CLKCTL (CKC configuration register) | 72 |

| | | |
|------------|--|-----|
| Table 49. | nCLKCTL (CKC configuration register protection) | 73 |
| Table 50. | HSESTAB (HSE clock stabilization register) | 73 |
| Table 51. | nHSESTAB (HSE clock stabilization register protection) | 73 |
| Table 52. | WAITSTATE (Flash wait state register) | 74 |
| Table 53. | nWAITSTATE (Flash wait state register) | 74 |
| Table 54. | AFR_IOMUXP0 (alternative Port0 configuration register) | 75 |
| Table 55. | nAFR_IOMUXP0 (alternative Port0 configuration register protection) | 75 |
| Table 56. | AFR_IOMUXP1 (alternative Port1 configuration register) | 76 |
| Table 57. | nAFR_IOMUXP1 (alternative Port1 configuration register protection) | 76 |
| Table 58. | AFR_IOMUXP2 (alternative Port2 configuration register) | 77 |
| Table 59. | nAFR_IOMUXP2 (alternative Port2 configuration register protection) | 77 |
| Table 60. | MSC_OPT0 (miscellaneous configuration reg0) | 78 |
| Table 61. | nMSC_OPT0 (miscellaneous configuration reg0 protection) | 78 |
| Table 62. | OPTBL (option byte bootloader) | 79 |
| Table 63. | nOPTBL (option byte boot loader protection) | 79 |
| Table 64. | Unique ID register overview | 80 |
| Table 65. | Dev ID register overview | 80 |
| Table 66. | Device revision model overview | 81 |
| Table 67. | Voltage characteristics | 84 |
| Table 68. | Current characteristics | 84 |
| Table 69. | Thermal characteristics | 85 |
| Table 70. | General operating conditions | 85 |
| Table 71. | Operating conditions at power-up/power-down | 86 |
| Table 72. | Supply base current consumption at $V_{DD}/V_{DDA} = 3.3/5\text{ V}$ | 88 |
| Table 73. | Supply low power consumption at $V_{DD}/V_{DDA} = 3.3/5\text{ V}$ | 89 |
| Table 74. | Peripheral supply current consumption at $V_{DD}/V_{DDA} = 3.3\text{ V}$ | 90 |
| Table 75. | Peripheral supply current consumption at $V_{DD}/V_{DDA} = 5\text{ V}$ | 92 |
| Table 76. | Wake-up times | 96 |
| Table 77. | HSE user external clock characteristics | 96 |
| Table 78. | HSE crystal/ceramic resonator oscillator | 97 |
| Table 79. | HSI RC oscillator | 99 |
| Table 80. | LSI RC oscillator | 99 |
| Table 81. | PLL internal source clock | 99 |
| Table 82. | Flash program memory/data E ² PROM memory | 100 |
| Table 83. | Voltage DC characteristics | 101 |
| Table 84. | Current DC characteristics | 102 |
| Table 85. | Operating frequency characteristics | 102 |
| Table 86. | NRST pin characteristics | 109 |
| Table 87. | I ² C interface characteristics | 109 |
| Table 88. | ADC characteristics | 110 |
| Table 89. | ADC accuracy characteristics at $V_{DD}/V_{DDA} 3.3\text{ V}$ | 111 |
| Table 90. | ADC accuracy characteristics at $V_{DD}/V_{DDA} 5\text{ V}$ | 112 |
| Table 91. | Analog comparator characteristics | 115 |
| Table 92. | DAC characteristics | 115 |
| Table 93. | ESD absolute maximum ratings | 116 |
| Table 94. | Electrical sensitivity | 116 |
| Table 95. | Package thermal characteristics | 117 |
| Table 96. | TSSOP38 package mechanical data | 119 |
| Table 97. | VFQFPN32 package mechanical data | 121 |
| Table 98. | TSSOP28 package mechanical data | 123 |
| Table 99. | Ordering information | 125 |
| Table 100. | Document revision history | 125 |

List of figures

| | | |
|------------|--|-----|
| Figure 1. | STLUX internal design | 13 |
| Figure 2. | Internal block diagram | 14 |
| Figure 3. | Coupled SMED overview | 16 |
| Figure 4. | SMED subsystem overview | 17 |
| Figure 5. | STLUX285A SMED subsystem overview | 18 |
| Figure 6. | Flash and E ² PROM internal memory organizations | 23 |
| Figure 7. | TSSOP38 pinout of STLUX385A and STLUX383A | 30 |
| Figure 8. | VFQFPN32 pinout of STLUX325A | 31 |
| Figure 9. | TSSOP28 pinout of STLUX285A | 31 |
| Figure 10. | Port P0 I/O functional multiplexing scheme | 37 |
| Figure 11. | Port P1 I/O multiplexing scheme | 39 |
| Figure 12. | Supply current measurement conditions | 82 |
| Figure 13. | Pin loading conditions | 83 |
| Figure 14. | Pin input voltage | 83 |
| Figure 15. | External capacitor C _{VOUT} | 86 |
| Figure 16. | PWM current consumption with f _{SMED} = PLL f _{PWM} = 0.5 MHz at V _{DD} /V _{DDA} = 5 V | 94 |
| Figure 17. | PWM current consumption with f _{SMED} = PLL f _{PWM} = 0.5 MHz at V _{DD} /V _{DDA} = 5 V | 94 |
| Figure 18. | PWM current consumption with f _{SMED} = HSI f _{PWM} = 0.5 MHz at V _{DD} /V _{DDA} = 3.3 V | 95 |
| Figure 19. | PWM current consumption with f _{SMED} = HSI f _{PWM} = 0.5 MHz at V _{DD} /V _{DDA} = 5 V | 95 |
| Figure 20. | HSE external clock source | 97 |
| Figure 21. | HSE oscillator circuit diagram | 98 |
| Figure 22. | V _{OH} standard pad at 3.3 V | 103 |
| Figure 23. | V _{OL} standard pad at 3.3 V | 103 |
| Figure 24. | V _{OH} standard pad at 5 V | 104 |
| Figure 25. | V _{OL} standard pad at 5 V | 104 |
| Figure 26. | V _{OH} fast pad at 3.3 V | 105 |
| Figure 27. | V _{OL} fast pad at 3.3 V | 105 |
| Figure 28. | V _{OH} fast pad at 5 V | 106 |
| Figure 29. | V _{OL} fast pad at 5 V | 106 |
| Figure 30. | V _{OH} high speed pad at 3.3 V | 107 |
| Figure 31. | V _{OL} high speed pad at 3.3 V | 107 |
| Figure 32. | V _{OH} high speed pad at 5 V | 108 |
| Figure 33. | V _{OL} high speed pad at 5 V | 108 |
| Figure 34. | ADC equivalent input circuit | 113 |
| Figure 35. | ADC conversion accuracy | 114 |
| Figure 36. | TSSOP38 package outline | 118 |
| Figure 37. | VFQFPN32 package outline | 120 |
| Figure 38. | TSSOP28 package outline | 122 |
| Figure 39. | STLUX development tools workflow | 124 |

1 Description

The STLUX™ family of controllers is a part of the STMicroelectronics® digital devices tailored for lighting and power conversion applications. The STLUX controllers have been successfully integrated in a wide range of architectures and applications, starting from simple buck converters for driving multiple LED strings, boost for power factor corrections, half-bridge resonant converters for high power dimmable LED strings and up to full bridge controllers for HID lamp ballasts.

2 STLUX family features list

The devices of the STLUX family provide the following features:

Table 2. STLUX features list

| Feature list | Device | | | |
|--------------------------------|----------------------------|-----------|------------------|------------------|
| | STLUX385A | STLUX383A | STLUX325A | STLUX285A |
| Package | TSSOP38 | TSSOP38 | VFQFPN32 | TSSOP28 |
| Pin count | 38 | 38 | 32 | 28 |
| SMED numbers | 6 | 6 | 6 | 6 |
| SMED PWM output pins | 6 | 6 | 5 | 4 |
| Fast digital inputs pins | 6 | 6 | 5 ⁽¹⁾ | 3 ⁽²⁾ |
| Positive comparator input pin | 4 | 4 | 4 | 2 ⁽³⁾ |
| Negative comparator input pins | 1 | 1 | 1 | 1 ⁽³⁾ |
| DALI peripheral | Yes | Yes | Yes | Yes |
| Internal DACs | 4 | 4 | 4 | 4 |
| ADC input pins | 8 | 8 | 6 | 8 |
| ADC gain | x1 - x4 | x1 | x1 | x1 |
| GPIO Port 0 pins | 6 | 6 | 4 | 4 |
| UART peripheral | Yes | Yes | Yes | Yes |
| I ² C peripheral | Yes | Yes | Yes | Yes |
| HSE function | Yes | Yes | Yes | Yes |
| Timers | System timer | 1 | 1 | 1 |
| | Auxiliary timer | 1 | 1 | 1 |
| Auto-wakeup timer | 1 | 1 | 1 | 1 |
| Watchdog | Window watchdog timer | 1 | 1 | 1 |
| | Independent watchdog timer | 1 | 1 | 1 |
| Flash program memory | 32 Kbytes | 32 Kbytes | 32 Kbytes | 32 Kbytes |
| EEPROM data memory | 1 Kbytes | 1 Kbytes | 1 Kbytes | 1 Kbytes |
| RAM (bytes) | 2 Kbytes | 2 Kbytes | 2 Kbytes | 2Kbytes |
| SWIM pin | Dedicated | Dedicated | Mixed | Dedicated |

1. DIGIN2 - DIGIN3 are connected to the same pin.
2. DIGIN0-DIGIN1 are connected on the same pin; DIGIN2-DIGIN3 are connected to the same pin; DIGIN4 - DIGIN5 are connected to the same pin.
3. CPP0, CPP1 and CPM3 are connected on the same pin; CPP2 and CPP3 are connected to the same pin.

3 Introducing SMED

The heart of the STLUX family is the SMED (state machine event driven) technology which allows the device to pilot six independently configurable PWM clocks with a maximum resolution of 1.3 ns. A SMED is a powerful autonomous state machine, which is programmed to react to both external and internal events and may evolve without any software intervention. The SMED reaction time can be as low as 10.4 ns, giving the STLUX the ability of operating in time critical applications. The SMED offers superior performance when compared to traditional, timer based, PWM generators.

Each SMED is configured via the STLUX internal microcontroller. The integrated controller extends the STLUX reliability and guarantees more than 15 years of both operating lifetime and memory data retention for program and data memory after cycling.

A set of dedicated peripherals complete the STLUX:

- 4 analog comparators with configurable references and 50 ns max. propagation delay. It is ideal to implement zero current detection algorithms or detect current peaks.
- 10-bit ADC with configurable op amp and 8-channel sequencer.
- DALI: hardware interface that provides full IEC 60929 and IEC 62386 slave interface.
- 96 MHz PLL for high output signal resolution.

Documentation

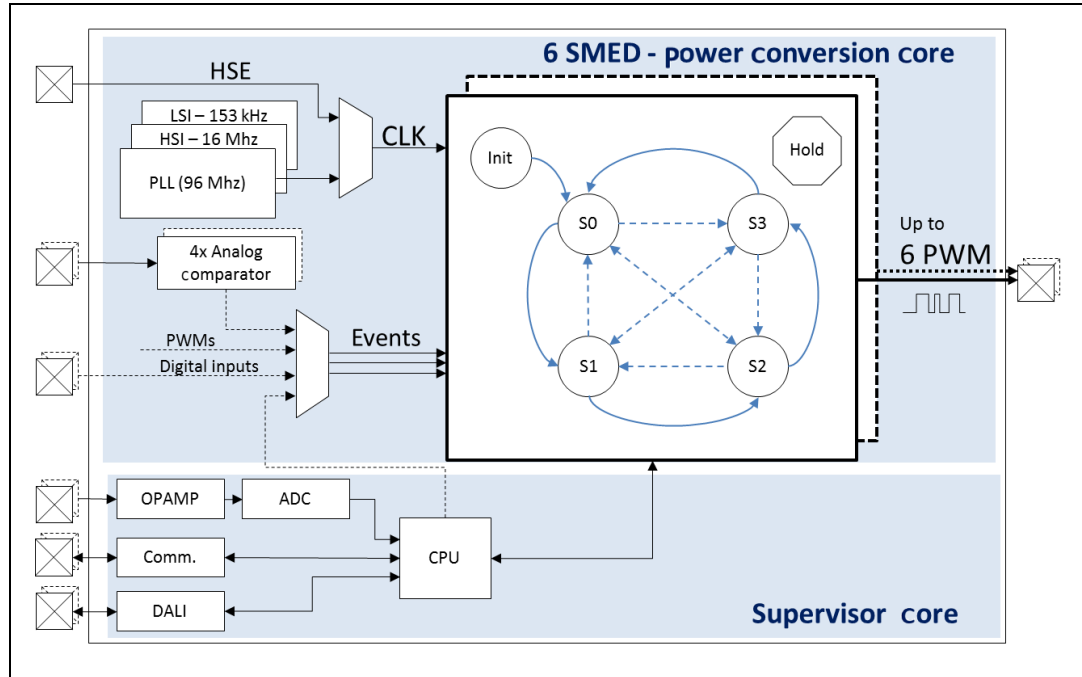
This datasheet contains the description of features, pinout, pin assignment, electrical characteristics, mechanical data and ordering information.

- For information on programming, erasing and protection of the internal Flash memory, please refer to the STM8S reference in the programming manual "How to program STM8S and STM8A Flash program memory and data EEPROM" (PM0051).
- For information on the debug and SWIM (single wire interface module) refer to the "STM8 SWIM communication protocol and debug module" user manual (UM0470).
- For information on the STM8 core, please refer to the "STM8 CPU programming manual" (PM0044).
- For information on the SMED configurator please refer to the "STLUX™ SMED configurator 1.0" user manual (UM1760).
- For information on the STLUX385A peripheral library please refer to the "Description of STLUX385A peripheral library" user manual (UM1753).
- For information on the STLUX385A examples kit please refer to the "Description of STLUX385A examples kit" user manual (UM1763).

4 System architecture

The STLUX devices family generates and controls PWM signals by means of a state machine, called SMED (state machine event driven). [Figure 1](#) gives an overview of the internal architecture.

Figure 1. STLUX internal design



The core of the device is the SMED unit: a hardware state machine driven by system events. The SMED includes 4 states (S0, S1, S2 and S3) available during running operations. A special HOLD state is provided as well. The SMED allows the user to configure, for every state, which system events will trigger a transaction to a new state. During a transaction from one state to the other, the PWM output signal level can be updated.

Once a SMED is configured and running, it becomes an autonomous unit, so no interaction is required since the SMED automatically reacts to system events.

Thanks to the SMED's 96 MHz operating frequency and their automatic dithering function, the PWM maximum resolution is 1.3 ns.

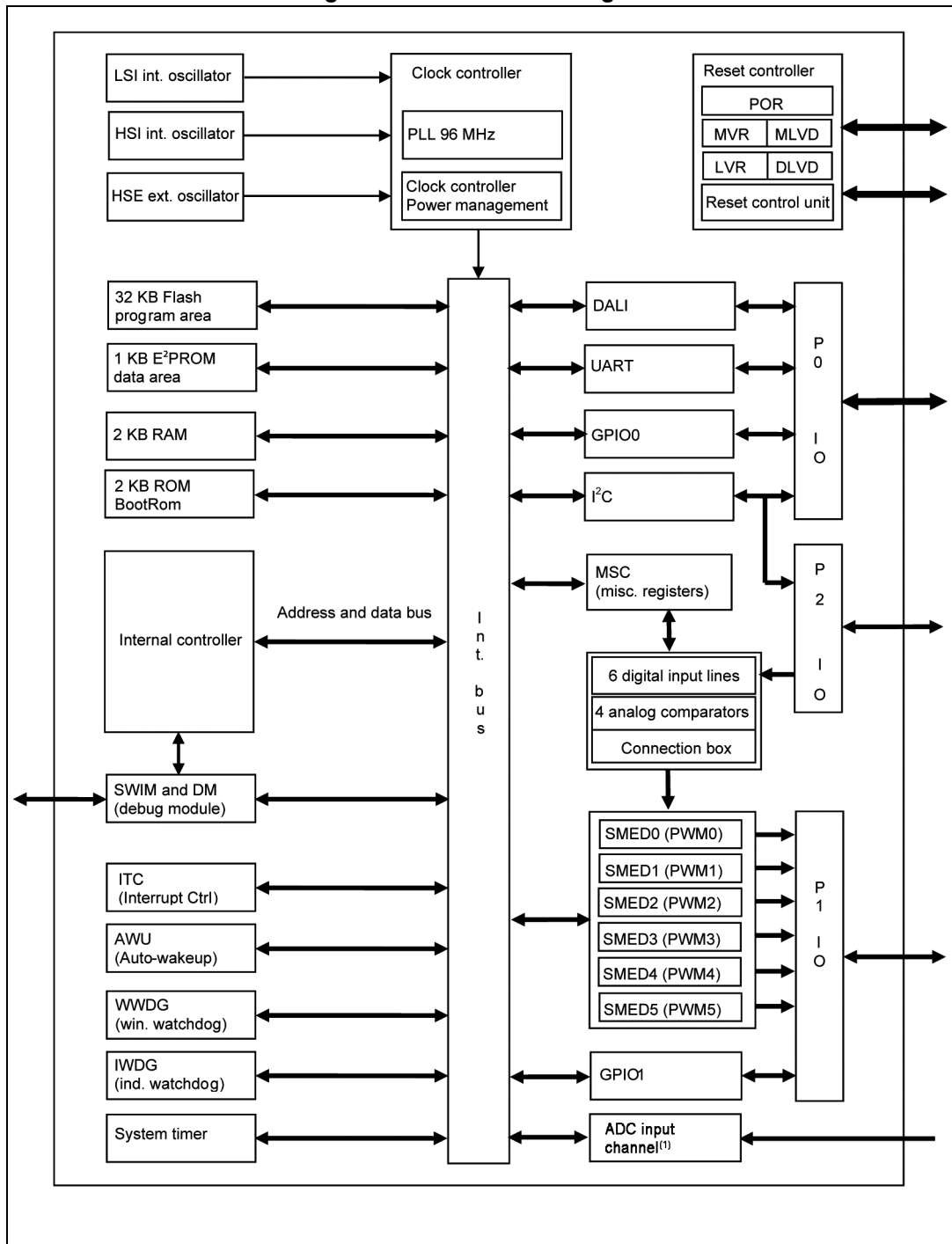
The STLUX family has 6 SMEDs available. Multiple SMEDs can operate independently from each other or they can be grouped together to form a more powerful state machine.

The STLUX also integrates a low power STM8 microcontroller which is used to configure and monitor the SMED activity and to supply external communication such as the DALI. The STM8 controller has full access to all the STLUX subsystems, including the SMEDs. The STLUX family also features a sequential ADC, which can be configured to continuously sample up to 8 channels.

[Section : Block diagram](#) illustrates the overall system block and shows how SMEDs have been implemented in the STLUX architecture.

Block diagram

Figure 2. Internal block diagram



1. The number of channels depends on the specific STLUX device.

5 Product overview

[Section 5.1](#) describes the features implemented in the product device.

5.1 SMED (state machine event driven): configurable PWM generator

The SMED is an advanced programmable PWM generator signal. The SMED (state machine event driven) is a state machine device controllable by both external events (primary I/O signals) and internal events (counter timers), which generates an output signal (PWM) depending on the evolution of the internal state machine.

The PWM signal generated by the SMED is therefore shaped by external events and not only by a simple timer. This mechanism allows to generate controlled high frequency PWM signals.

The SMED is also autonomous: once it has been configured by the STLUX internal controller, the SMED can operate without any software interaction.

The STLUX family provides 6 SMED units. Multiple SMEDs can operate independently from each other or they can be grouped together to form a more powerful state machine.

The main features of a SMED are described here below:

- Configurable state machine generating a PWM signal
- More than 10.4 ns PWM native resolution
- Up to 1.3 ns PWM resolution when using SMED dithering
- 6 states available in each SMED: IDLE, S0, S1, S2, S3 plus a special HOLD state
- Transactions triggered by synchronous and asynchronous external events or an internal timer
- Each transaction can generate an interrupt
- Fifteen registers available to configure the state machine behavior
- Four 16-bit configurable time registers, one for each running state (T0, T1, T2, T3)
- Internal resources accessible through the processor interface
- Eight interrupt request lines

5.1.1 SMED coupling schemes

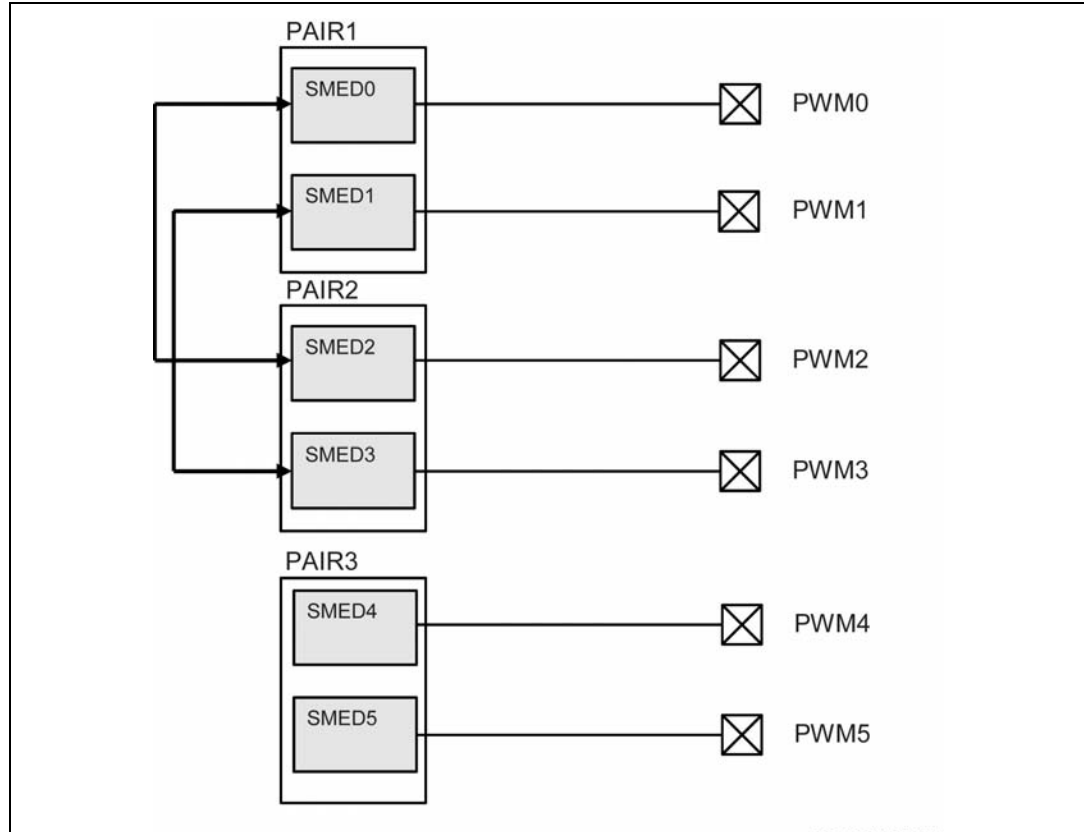
The SMED coupling extends the capability of the single SMED, preserving the independence of each "Finite State Machine" (FSM) programmed state evolution. The coupling scheme allows the SMED pulse signals to be interleaved on their own PWM or on a merged single PWM output. The STLUX supports the following coupled configuration schemes:

- Single SMED configuration
- Synchronous coupled SMEDs
- Asynchronous coupled SMEDs
- Synchronous two coupled SMEDs
- Asynchronous two coupled SMEDs
- External controlled SMED

The SMED units may be configured in different coupled schemes through the SMDx_GLBCONF and SMDx_DRVOOUT bit fields of MSC_SMEDCFGxy registers.

An outline of the SMED subsystem is shown in [Figure 3](#).

Figure 3. Coupled SMED overview



1. The PWM5 output pin is not present on the STLUX325A.
2. The PWM4 and PWM5 output pins are not present on the STLUX285A.

5.1.2 Connection matrix

The connection matrix extends the input connectivity of each SMED unit so that a SMED can receive events from a wide range of sources. Through the matrix, it's possible to connect the SMED inputs to various signal families such as digital inputs, comparator output signals, SW events, and three PWM internal feedback signals as shown in [Figure 4](#).

The list of the available event sources is the following:

- DIGIN [5:0]: digital input lines
- CMP [3:0]: analog comparator outputs
- PWM [5:0]: output signals of SMEDs (only PWM 0, 1 and 5 are accessible)
- SW [5:0]: software events

[Figure 4](#) shows the connection matrix and signal interconnections as they are implemented in the STLUX family.

Figure 4. SMED subsystem overview

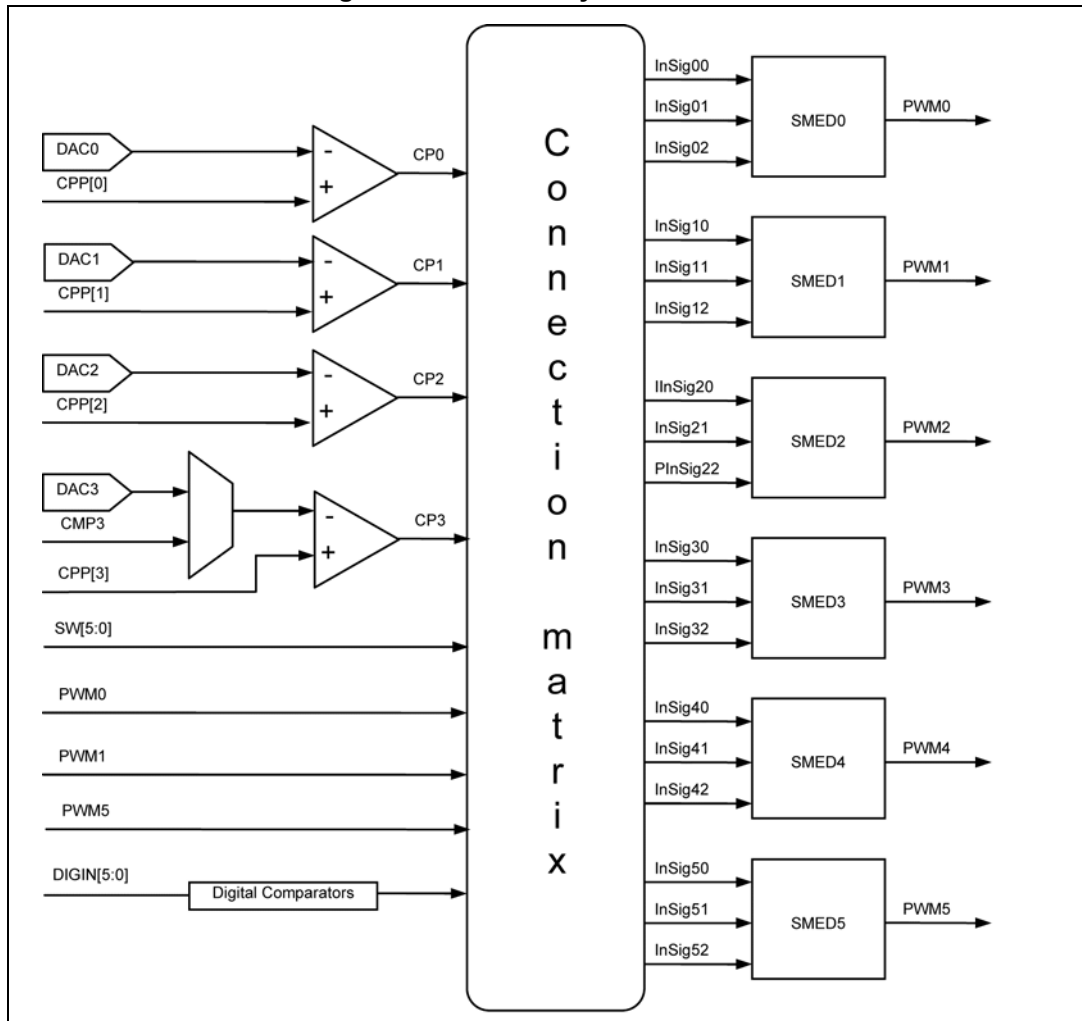
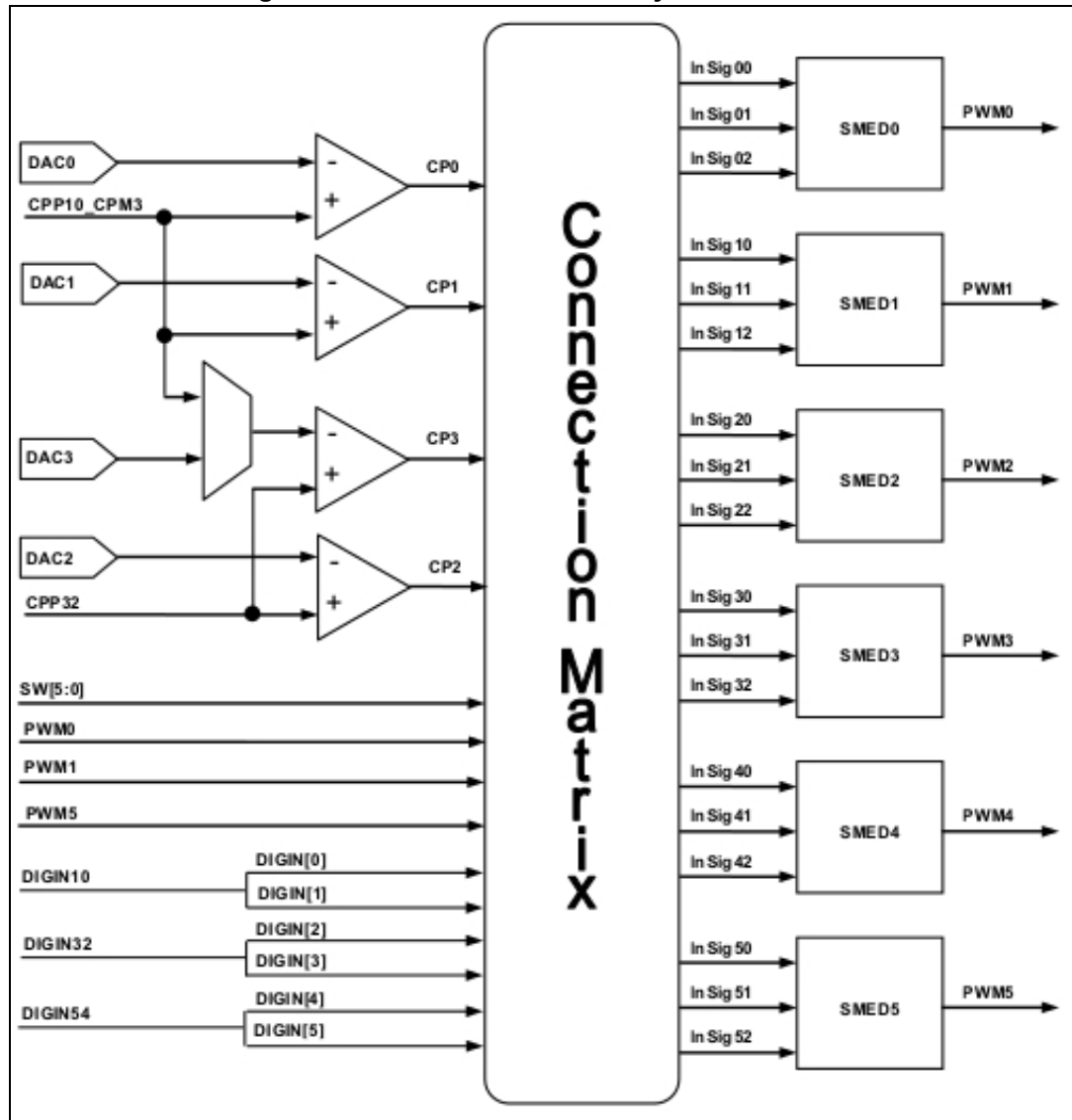


Figure 5. STLUX285A SMED subsystem overview



Connection matrix interconnection

Every SMED unit has three input selection lines, one for each In_Sig input, configurable via the MSC_CBOXS (5:0) register. The selection lines choose the interconnection between one of possible four connection matrix signals for each SMED input event In_Sig (Y).

Table 3 shows the layout of the connection matrix interconnection signals as implemented in the STLUX family.

Table 3. Connection matrix interconnection

| Conb_s(x)(y)(z) | | | | | |
|-----------------|------------|---------------------------------|------|------|------|
| SMED number | SMED input | SMED input signal selection (z) | | | |
| (x) | (y) | 00 | 01 | 10 | 11 |
| 0 | 0 | CP0 | DIG0 | DIG2 | DIG5 |
| | 1 | CP1 | DIG0 | DIG3 | CP3 |
| | 2 | CP2 | DIG1 | DIG4 | SW0 |
| 1 | 0 | CP1 | DIG1 | DIG3 | DIG0 |
| | 1 | CP2 | DIG1 | DIG4 | CP3 |
| | 2 | CP0 | DIG2 | DIG5 | SW1 |
| 2 | 0 | CP2 | DIG2 | DIG4 | DIG1 |
| | 1 | CP0 | DIG2 | DIG5 | PWM0 |
| | 2 | CP1 | DIG3 | DIG0 | SW2 |
| 3 | 0 | CP0 | DIG3 | DIG5 | DIG2 |
| | 1 | CP1 | DIG3 | DIG0 | PWM1 |
| | 2 | CP2 | DIG4 | DIG1 | SW3 |
| 4 | 0 | CP1 | DIG4 | DIG0 | DIG3 |
| | 1 | CP2 | DIG4 | DIG1 | PWM5 |
| | 2 | CP0 | DIG5 | DIG2 | SW4 |
| 5 | 0 | CP2 | DIG5 | DIG1 | DIG4 |
| | 1 | CP0 | DIG5 | DIG2 | CP3 |
| | 2 | CP1 | DIG0 | DIG3 | SW5 |

Connection matrix legend:

- X represents the SMED [5:0] number
- Y represents the SMED input signal number (In_Sig [2:0])
- Z represents the In_Sig (Y) selection signal

Note: Each SMED input has independent connection matrix selection signals.

The DIG2 and DIG3 signals are interconnected together, the pin DIGIN [3_2] on the STLUX325A.

On STLUX285A DIG0 and DIG1 signals are interconnected together, to the pin DIGIN [1_0], DIG2 and DIG3 signals are interconnected together, to the pin DIGIN [3_2] and DIG4 and DIG5 signals are interconnected together, to the pin DIGIN [5_4]

5.2 Internal controller (CPU)

The STLUX family integrates a programmable STM8 controller acting as a device supervisor. The STM8 is a modern CISC core and has been designed for code efficiency and performance. It contains 21 internal registers (six of them directly addressable in each execution context), 20 addressing modes including indexed indirect and relative addressing and 80 instructions.

5.2.1 Architecture and registers

- Harvard architecture with 3-stage pipeline
- 32-bit wide program memory bus with single cycle fetching for most instructions
- X and Y 16-bit index registers, enabling indexed addressing modes with or without offset and read-modify-write type data manipulations
- 8-bit accumulator
- 24-bit program counter with 16-Mbyte linear memory space
- 16-bit stack pointer with access to a 64-Kbyte stack
- 8-bit condition code register with seven condition flags updated with the results of last executed instruction

5.2.2 Addressing

- 20 addressing modes
- Indexed indirect addressing mode for lookup tables located in the entire address space
- Stack pointer relative addressing mode for efficient implementation of local variables and parameter passing

5.2.3 Instruction set

- 80 instructions with 2-byte average instruction size
- Standard data movement and logic/arithmetic functions
- 8-bit by 8-bit multiplication
- 16-bit by 8-bit and 16-bit by 16-bit division
- Bit manipulation
- Data transfer between the stack and accumulator (push/pop) with direct stack access
- Data transfer using the X and Y registers or direct memory-to-memory transfers

5.2.4 Single wire interface module (SWIM)

The single wire interface module (SWIM), together with the integrated debug module (DM), permits non-intrusive, real-time in-circuit debugging and fast memory programming. The interface can be activated in all device operation modes and can be connected to a running device (hot plugging). The maximum data transmission speed is 145 byte/ms.

The SWIM pin is a multifunction signal. For further details refer to [Table 8: Port P2 I/O multiplexing signal](#) in [Section 7.4 on page 39](#).

5.2.5 Debug module

The non-intrusive debugging module is fully controllable by the external target emulator. Besides memory and peripheral operation, the CPU operation can also be monitored in real-time by means of shadow registers.

- R/W of RAM and peripheral registers in real-time
- R/W for all resources when the application is stopped
- Breakpoints on all program memory instructions (software breakpoints), except for the interrupt vector table
- Two advanced breakpoints and 23 predefined breakpoint configurations

5.3 Basic peripherals

[Section 5.3.1](#) and [Section 5.3.2](#) describe the basic peripherals accessed by the internal CPU controller.

5.3.1 Vectored interrupt controller

- Nested interrupts with three software priority levels
- 21 interrupt vectors with hardware priority
- Two vectors for 12 external maskable or un-maskable interrupt request lines
- Trap and reset interrupts

5.3.2 Timers

The STLUX family provides several timers which are used by software and do not interact directly with the SMED and the PWM generation.

System timers

The system timer consists of a 16-bit autoreload counter driven by a programmable prescaled clock and operating in one shoot or free running operating mode. The timer is used to provide the IC time base system clock, with an interrupt generation on timer overflow events.

Auxiliary timer

The auxiliary timer is a light timer with elementary functionality. The time base frequency is provided by the CCO clock logic (configurable with a different source clock and prescale division factors), while the interrupt functionality is supplied by an interrupt edge detection logic similarly to the solution adopted for the Port P0/P2.

The timer has the following main features:

- Free running mode
- Up counter
- Timer prescaler 8-bit
- Interrupt timer capability:
 - Vectored interrupt
 - Interrupt IRQ/NMI or polling mode
- Timer pulse configurable as a clock output signal via the CCO primary pin

Thanks to the great configurability of the CCO frequency, the timer can cover a wide range of interval time to fit better the target application requirements.

Auto-wakeup timer

The AWU timer is used to cyclically wake-up the IC device from the active halt state. The AWU frequency time base f_{AWU} can be selected between the following clock sources: LSI (153.6 kHz) and the external clock HSE scaled down to 128-kHz clock.

By default the f_{AWU} clock is provided by the LSI internal source clock.

Watchdog timers

The watchdog system is based on two independent timers providing a high level of robustness to the applications. The watchdog timer activity is controlled by the application program or by suitable option bytes. Once the watchdog is activated, it cannot be disabled by the user program without going through reset.

Window watchdog timer

The window watchdog is used to detect the occurrence of a software fault, usually generated by external interferences or by unexpected logical conditions, which causes the application program to break the normal operating sequence.

The window function can be used to adjust the watchdog intervention period in order to match the application timing perfectly. The application software must refresh the counter before timeout and during a limited time window. If the counter is refreshed outside this time window, a reset is issued.

Independent watchdog timer

The independent watchdog peripheral can be used to resolve malfunctions due to hardware or software failures.

It is clocked by the 153.6 kHz LSI internal RC clock source. By properly setting the hardware watchdog feature associated option bits, the watchdog is automatically enabled at power-on, and generates a reset unless the key register is written by software before the counter reaches the end of the count.

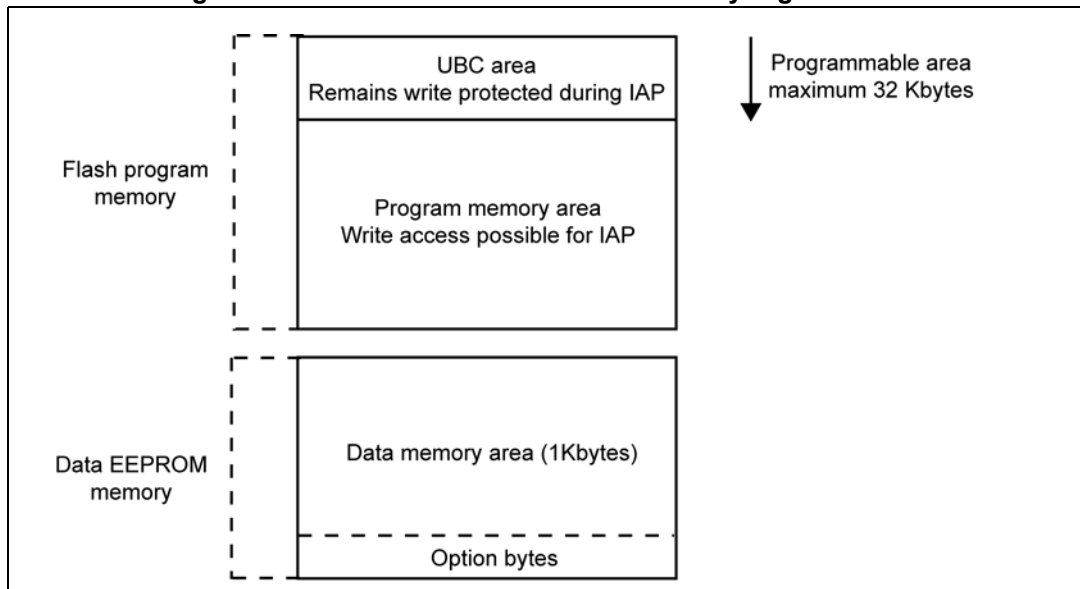
5.4 Flash program and data E²PROM

Embedded Flash and E²PROM with the memory ECC code correction and protection mechanism preventing embedded program hacking.

- 32 Kbyte of single voltage program Flash memory
- 1 Kbyte true (not emulated) data E²PROM
- Read while write: writing in the data memory is possible while executing code program memory
- The device setup is stored in a user option area in the non-volatile memory.

5.4.1 Architecture

Figure 6. Flash and E²PROM internal memory organizations



- The memory is organized in blocks of 128 bytes each
- Read granularity: 1 word = 4 bytes
- Write/erase granularity: 1 word (4 bytes) or 1 block (128 bytes) in parallel
- Writing, erasing, word and block management is handled automatically by the memory interface.

5.4.2 Write protection (WP)

Write protection in application mode is intended to avoid unintentional overwriting of the memory. The write protection can be removed temporarily by executing a specific sequence in the user software.

5.4.3 Protection of user boot code (UBC)

In all STLUX devices a memory area of 32 Kbyte can be protected from overwriting at a user option level. In addition to the standard write protection, the UBC protection can be modified by the embedded program or via a debug interface when the ROP protection is enabled.

The UBC memory area contains the reset and interrupt vectors and its size can be adjusted in increments of 512 bytes by programming the UBC and nUBC option bytes.

Note: If users choose to update the boot code in the application programming (IAP), this has to be protected so to prevent unwanted modification.

5.4.4 Readout protection (ROP)

The STLUX family provides a readout protection of the code and data memory which can be activated by an option byte setting.

The readout protection prevents reading and writing program memory, data memory and option bytes via the debug module and SWIM interface. This protection is active in all device operation modes. Any attempt to remove the protection by overwriting the ROP option byte triggers a global erase of the program and data memory contents.

5.5 Clock controller

The clock controller distributes the system clock provided by different oscillators to the core and the peripherals. It also manages clock gating for low power modes and ensures clock robustness.

The main clock controller features are:

- Clock sources
- Internal 16-MHz and 153.6-kHz RC oscillators
- External source clock:
 - Crystal/resonator oscillator
 - External clock input
- Internal PLL at 96 MHz (not used as the f_{MASTER} source clock)
- Reset: after the reset the microcontroller restarts by default with the HSI internal clock scaled at 2 MHz (16 MHz/8). The clock source and speed can be changed by the application program as soon as the code execution starts.
- Safe clock switching: clock sources can be changed safely on the fly in run mode through a configuration register. The clock signal is not switched until the new clock source is ready. The design guarantees glitch-free switching.
- Clock management: to reduce power consumption, the clock controller can stop the clock to the core or individual peripherals.
- Wakeup: in case the device wakes up from low power modes, the internal RC oscillator (16 MHz/8) is used for a quick startup. After a stabilization time, the device brings back the clock source that was selected before Halt mode was entered.
- Clock security system (CSS): the CSS permits monitoring of external clock sources and automatic switching to the internal RC (16 MHz/8) in case of a clock failure.
- Configurable main clock output (CCO): this feature permits to output an internal clock source signal for application usage.

5.5.1 Internal 16 MHz RC oscillator (HSI)

The high speed internal (HSI) clock is the default master clock line, generated by an internal RC oscillator and with nominal frequency of 16 MHz. It has the following major features:

- RC architecture
- Glitch-free oscillation
- 3-bit user calibration circuit.

5.5.2 Internal 153.6 kHz RC oscillator (LSI)

The low speed internal (LSI) clock is a low speed clock line provided by an internal RC circuit. It drives both the independent watchdog (IWDG) circuit and the auto-wakeup unit (AWU). It can also be used as a low power clock line for the master clock f_{MASTER} .

5.5.3 Internal 96 MHz PLL

The PLL provides a high frequency 96 MHz clock used to generate high frequency and accurate PWM waveforms. The input reference clock must be 16 MHz and may be sourced either by the internal HSI signal or by the external HSE auxiliary input crystal oscillator line.

The internal PLL prescaled clock cannot be selected as f_{MASTER} .

Note: When the application requires a PWM signal with a custom defined long term stability, it is suggested to use an external clock source connected to the HSE auxiliary clock line as a PLL input reference clock. In this case, the external clock source accuracy determines the PWM output stability.

5.5.4 External clock input/crystal oscillator (HSE)

The high speed external clock (HSE) allows the connection of an external clock generated, for example, by a highly accurate crystal oscillator. The HSE is interconnected with the f_{MASTER} clock line and to several peripherals. It allows users to provide a custom clock characterized by a high level of precision and stability to meet the application requirements. The HSE supports two possible external clock sources with a maximum of 24 MHz:

- Crystal/ceramic resonator interconnected with the HseOscin/HseOscout signals
- Direct drive clock interconnected with the HseOscin signal

The HseOscin and HseOscout signals are multifunction pins configurable through the I/O multiplex mechanism; for further information refer to [Section 7: I/O multifunction signal configuration on page 35](#).

Note: When the HSE is configured as the f_{MASTER} source clock, the HSE input frequency cannot be higher than 16 MHz.

When the HSE is the PLL input reference clock, then the HSE input frequency must be equal to 16 MHz.

If the HSE is the reference for the SMED or the ADC logic, the input frequency can be configured up to 24 MHz.

5.6 Power management

For efficient power management, the application can be put in one of four different low power modes. Users can configure each mode to obtain the best compromise between the lowest power consumption, the fastest startup time and available wakeup sources.

- **Wait mode:** in this mode, the CPU is stopped, but peripherals are kept running. The wakeup is triggered by an internal or external interrupt or reset.
- **Active halt mode with regulator on:** in this mode, the CPU and peripheral clocks are stopped. An internal wakeup is generated at programmable intervals by the auto-wakeup unit (AWU). The main voltage regulator is kept powered on, so current consumption is higher than in the active halt mode with the regulator off, but the

wakeup time is faster. The wakeup is triggered by the internal AWU interrupt, external interrupt or reset.

- **Active halt mode with regulator off:** this mode is the same as active halt with the regulator on, except that the main voltage regulator is powered off, so the wakeup time is slower.
- **Halt mode:** in this mode the microcontroller uses the least power. The CPU and peripheral clocks are stopped, while the main voltage regulator is switched in power-off. Wakeup is triggered by an external event or reset.

In all modes the CPU and peripherals remain permanently powered on, the system clock is applied only to selected modules. The RAM content is preserved and the brownout reset circuit remains enabled.

5.7 Communication interfaces

5.7.1 Digital addressable lighting interface (DALI)

The DALI (digital addressable lighting interface), standardized as the IEC 62386, is the new interface for lighting control solutions defined by the lighting industry.

The DALI protocol is generally implemented in a DALI communication module (DCM): a serial communication circuit designed for controllable electronic ballasts. “Ballast” is

a device or circuit used to provide the required starting voltage and operating current for the LED, fluorescent, mercury or other electronic-discharge lamps.

The STLUX DALI driver has the following characteristics:

- Speed line: 1.2, 2.4 and 4.8 kHz transmission rate $\pm 10\%$
- Forward payload: 16, 17, 18 and 24-bit message length
- Backward payload: 8-bit message length.
- Bidirectional communications
- Monitor receiver line timeout 500 ms $\pm 10\%$
- Polarity insensitive on DALI_rx, DALI_tx signal line
- Interoperability with different message length
- Maskable interrupt request line
- DALI peripheral clock has slowed down to 153.6 kHz in low speed operating mode
- Improved DALI noise rejection filter on DALI_rx input line (see [Section : DALI noise rejection filter](#)).

DALI noise rejection filter

The STLUX DALI interface includes a noise rejection filter interconnected on the RX channel capable to remove any bounce, glitch or spurious pulse from the RX line. The filter can be configured via three registers:

- MSC_DALICKSEL: selects the source clock of filter timing
- MSC_DALICKDIV: configures the clock prescaler value
- MSC_DALICONF: configures the filter count and operating mode.

5.7.2 Universal asynchronous receiver/transmitter (UART)

UART is the asynchronous receiver/transmitter communication interface.

- SW flow control operating mode
- Full duplex, asynchronous communications
- High precision baud rate generator system
 - Common programmable transmit and receive baud rates up to $f_{\text{MASTER}}/16$
- Programmable data word length (8 or 9-bit)
- Configurable stop bit - support for 1 or 2 stop bit
- Configurable parity control
- Separate enable bits for transmitter and receiver
- Interrupt sources:
 - Transmit events
 - Receive events
 - Error detection flags
- 2 interrupt vectors:
 - Transmitter interrupt
 - Receiver interrupt
- Reduced power consumption mode
- Wakeup from mute mode (by idle line detection or address mark detection)
- 2 receiver wakeup modes:
 - Address bit (MSB)
 - Idle line.

5.7.3 Inter-integrated circuit interface (I²C)

The I²C (inter-integrated circuit) bus interface serves as an interface between the microcontroller and the serial I²C bus. It provides a multimaster capability, and controls all I²C bus-specific sequencing, protocol, arbitration and timing. It supports standard and fast speed modes.

- Parallel-bus/I²C protocol converter
- Multimaster capability: the same interface can act as master or slave
- I²C master features:
 - Clock generation
 - Start and stop generation
- I²C slave features:
 - Programmable I²C address detection
 - Stop bit detection
- Generation and detection of 7-bit/10-bit addressing and general call
- Supports different communication speeds:
 - Standard speed (up to 100 kHz)
 - Fast speed (up to 400 kHz)

- Status flags:
 - Transmitter/receiver mode flag
 - End of byte transmission flag
 - I²C busy flag
- Error flags:
 - Arbitration lost condition for master mode
 - Acknowledgment failure after address/ data transmission
 - Detection of misplaced start or stop condition
 - Overrun/underrun if clock stretching is disabled
- Interrupt sources:
 - Communication interrupt
 - Error condition interrupt
 - Wakeup from Halt interrupt
- Wakeup capability:
 - MCU wakes up from low power mode on address detection in slave mode.

5.8 Analog-to-digital converter (ADC)

The STLUX family includes a 10-bit successive approximation ADC with 8 multiplexed input channels. The analog input signal can be amplified before conversion by a selectable gain of 1 or 4^(a) times. The analog-to-digital converter can operate either in single or in continuous/circular modes. The ADC unit has the following main features:

- 8/6 ADC input channel^(b)
- 10-bit resolution
- Single and continuous conversion mode
- Independent or fixed channel gain value x1 or x4 to extend dynamic range and resolution to 12-bit equivalent^(a)
- Interrupt events:
 - EOC interrupt asserted on end of conversion cycle
 - EOS interrupt asserted on end of conversion sequences
 - SEQ_FULL_EN interrupt assert on sequencer buffer full
- ADC input voltage range dependent on selected gain value^(b)
- Selectable conversion data alignment
- Individual registers for up to 8 successive conversions.

a. The gain x4 is available only on the STLUX385A.

b. The number of ADC input channels depends of the STLUX device part number.

5.9 Analog comparators

The STLUX devices family includes four independent fast analog comparator units (COMP3-0). Each comparator has an internal reference voltage. The COMP3 can be also configured to use an external reference voltage connected to the CPM3 input pin.

Each comparator reference voltage is generated by a dedicated internal-only 4-bit DAC unit. The main characteristics of the analog comparator unit (ACU) are the following:

- Each comparator has an internally configurable reference
- Internal reference voltages configurable in 16 steps with the 83 mV voltage grain from 0 V (GND) to 1.24 V (voltage reference)
- Two stage comparator architecture is used to reach a high gain
- Comparator output stage value accessible from processor interface
- Continuous fast cycle comparison time.

6 Pinout and pin description

6.1 Pinout

Figure 7. TSSOP38 pinout of STLUX385A and STLUX383A

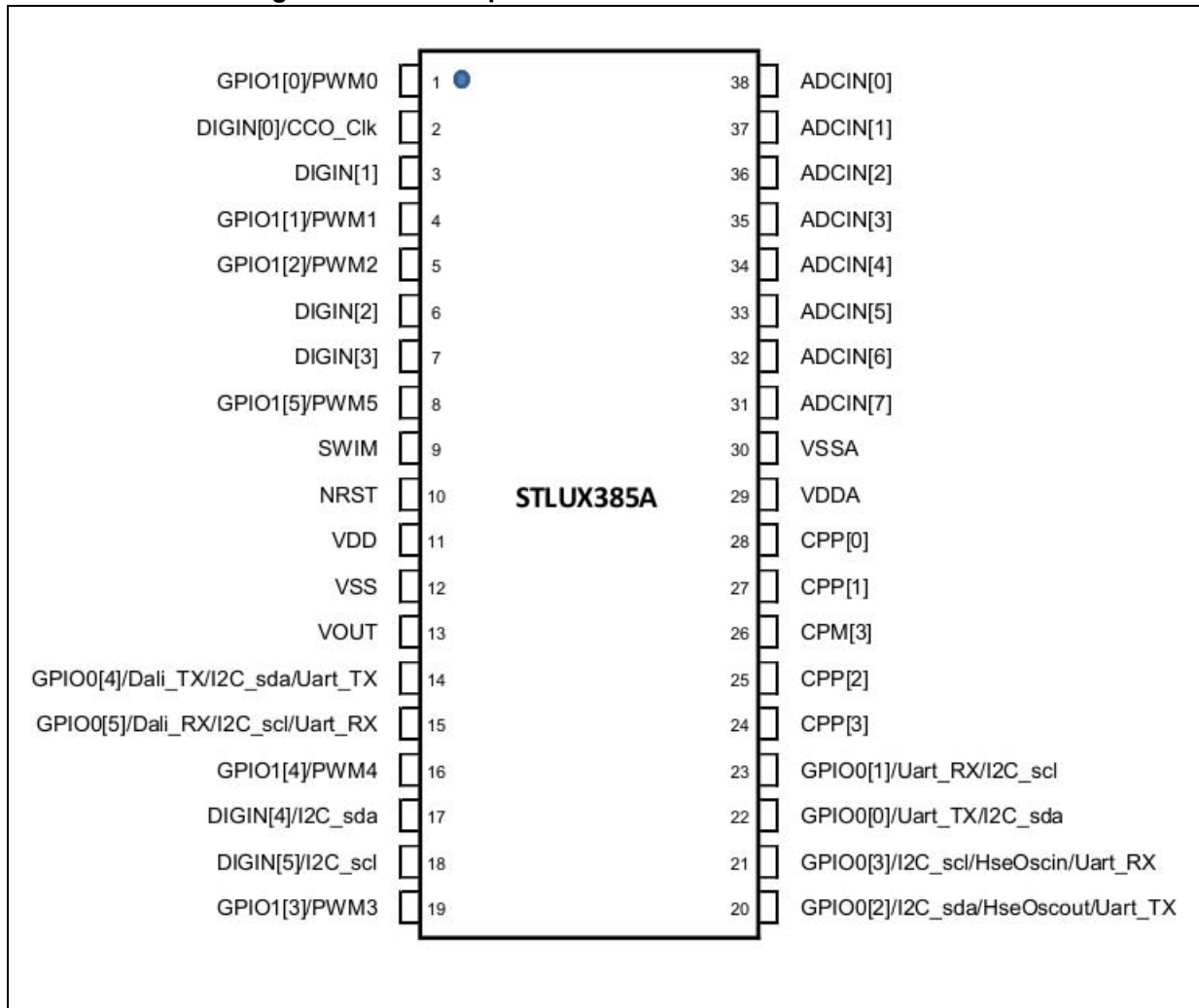


Figure 8. VFQFPN32 pinout of STLUX325A

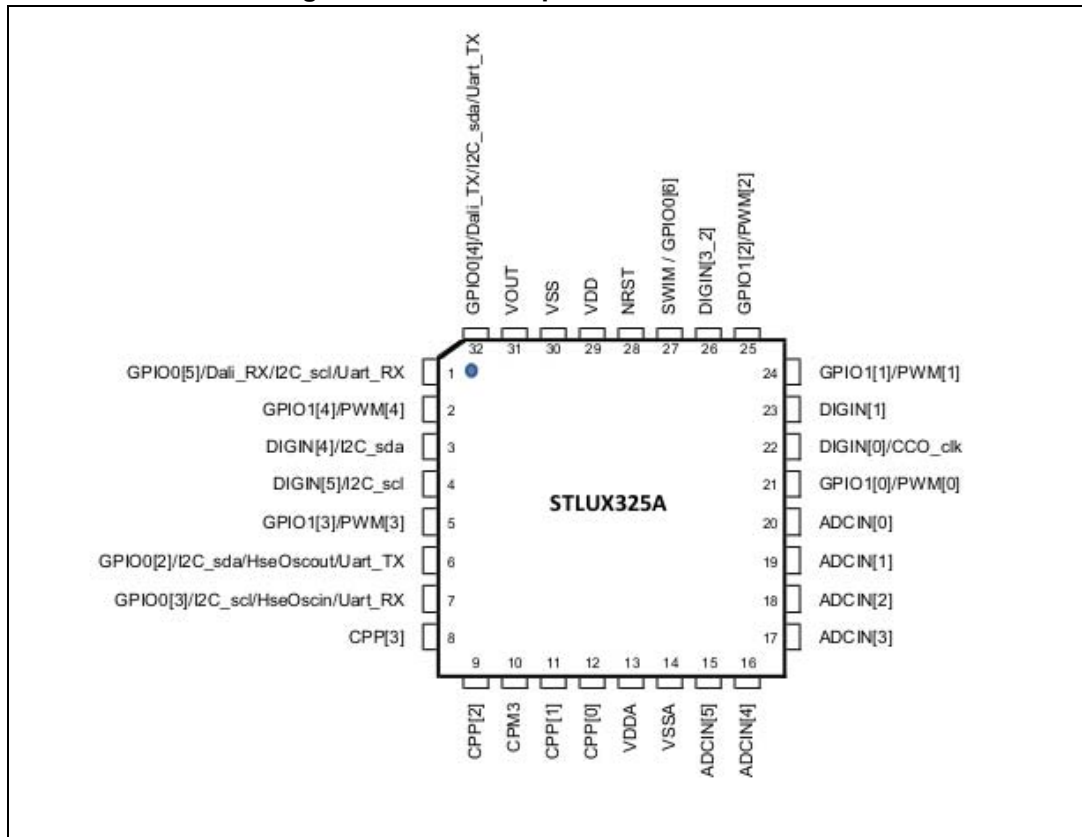
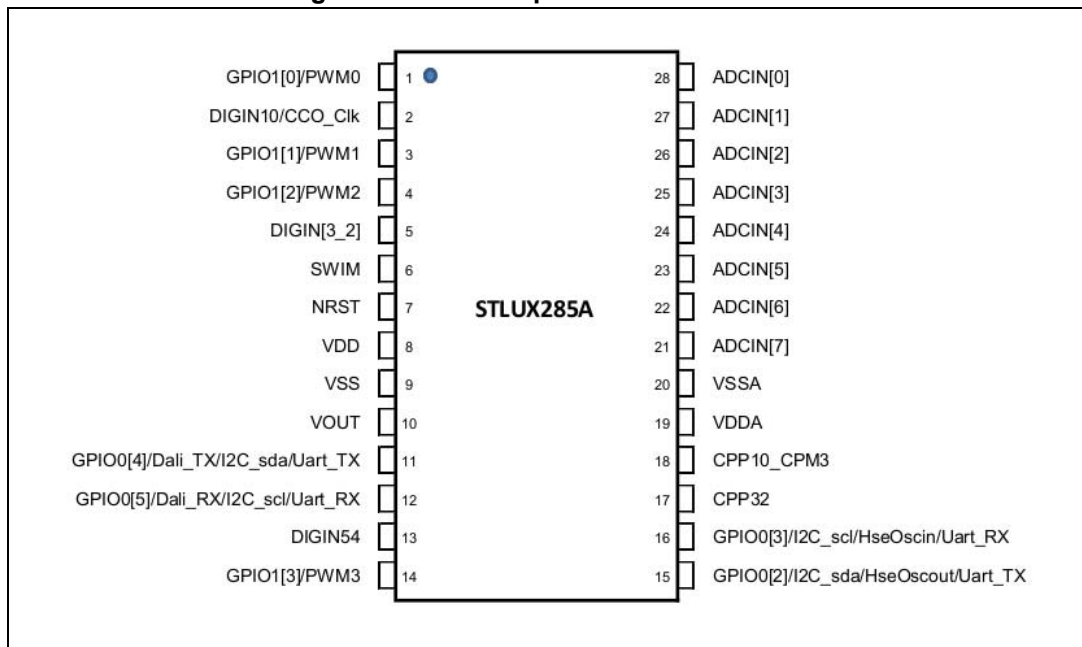


Figure 9. TSSOP28 pinout of STLUX285A



6.2 Pin description

Table 4. Pin description

| Pin number | | | Type | Pin name | Main function | Alternate function 1 | Alternate function 2 | Alternate function 3 |
|------------|-------------------|----------|------|----------------------------------|------------------------------|--|------------------------|----------------------|
| TSSOP 38 | VFQFPN 32 | TSSOP 28 | | | | | | |
| 1 | 21 | 1 | I/O | GPIO1[0]/PWM[0] | SMED PWM channel 0 | General purpose I/O 10 | - | - |
| 2 | 22 | 2 | I/O | DIGIN[0]/CCO_clk | Digital input 0 | Configurable clock output signal (CCO) | - | - |
| 3 | 23 | | I | DIGIN[1] | Digital input 1 | - | - | - |
| 4 | 24 | 3 | I/O | GPIO1[1]/PWM[1] | SMED PWM channel 1 | General purpose I/O 11 | - | - |
| 5 | 25 | 4 | I/O | GPIO1[2]/PWM[2] | SMED PWM channel 2 | General purpose I/O 12 | - | - |
| 6 | 26 ⁽¹⁾ | 5 | I | DIGIN[2] | Digital input 2 | - | - | - |
| 7 | | | I | DIGIN[3] | Digital input 3 | - | - | - |
| 8 | - | - | I/O | GPIO1[5]/PWM[5] | SMED PWM channel 5 | General purpose I/O 15 | - | - |
| 9 | 27 | 6 | I/O | SWIM | SWIM data interface | General purpose I/O 06 ⁽²⁾ | - | - |
| 10 | 28 | 7 | I/O | NRST | Reset | - | - | - |
| 11 | 29 | 8 | PS | VDD | Digital and I/O power supply | - | - | - |
| 12 | 30 | 9 | PS | VSS | Digital and I/O ground | - | - | - |
| 13 | 31 | 10 | PS | VOUT | 1.8 V regulator capacitor | - | - | - |
| 14 | 32 | 11 | I/O | GPIO0[4]/Dali_TX/I2C_sda/Uart_TX | General purpose I/O 04 | DALI data transmit | I ² C data | UART data transmit |
| 15 | 1 | 12 | I/O | GPIO0[5]/Dali_RX/I2C_scl/Uart_RX | General purpose I/O 05 | DALI data receive | I ² C clock | UART data receive |
| 16 | 2 | - | I/O | GPIO1[4]/PWM[4] | SMED PWM channel 4 | General purpose I/O 14 | - | - |
| 17 | 3 | 13 | I/O | DIGIN[4]/I2C_sda | Digital input 4 | I ² C data ⁽³⁾ | - | - |
| 18 | 4 | | I/O | DIGIN[5]/I2C_scl | Digital input 5 | I ² C clock ⁽³⁾ | - | - |
| 19 | 5 | 14 | I/O | GPIO1[3]/PWM[3] | SMED PWM channel 3 | General purpose I/O 13 | - | - |

Table 4. Pin description (continued)

| Pin number | | | Type | Pin name | Main function | Alternate function 1 | Alternate function 2 | Alternate function 3 |
|------------|-----------|----------|------|--|---------------------------------------|------------------------|--|--------------------------|
| TSSOP 38 | VFQFPN 32 | TSSOP 28 | | | | | | |
| 20 | 6 | 15 | I/O | GPIO0[2]/I2C_sda/ HseOscout/Uart_TX | General purpose I/O 02 | I ² C data | Output crystal oscillator signal | UART data transmit |
| 21 | 7 | 16 | I/O | GPIO0[3]/I2C_scl/ HseOscin/Uart_RX | General purpose I/O 03 | I ² C clock | Input crystal oscillator signal /input clock signal | UART data receive |
| 22 | - | - | I/O | GPIO0[0]/Uart_TX/ I2C_sda | General purpose I/O 00 | UART data transmit | I ² C data | - |
| 23 | - | - | I/O | GPIO0[1]/Uart_RX/ I2C_scl | General purpose I/O 01 | UART data receive | I ² C clock | - |
| 24 | 8 | 17 | I | CPP[3] | Positive analog comparator input 3 | - | - | - |
| 25 | 9 | | I | CPP[2] | Positive analog comparator input 2 | - | - | - |
| 26 | 10 | 18 | I | CPM3 | Negative analog comparator input 3 | - | - | - |
| 27 | 11 | | I | CPP[1] | Positive analog comparator input 1 | - | - | - |
| 28 | 12 | | I | CPP[0] | Positive analog comparator input 0 | - | - | - |
| 29 | 13 | 19 | PS | VDDA | Analog power supply | - | - | - |
| 30 | 14 | 20 | PS | VSSA | Analog ground | - | - | - |
| 31 | - | 21 | I | ADCIN[7] | Analog input 7 | - | - | - |
| 32 | - | 22 | I | ADCIN[6] | Analog input 6 | - | - | - |
| 33 | 15 | 23 | I | ADCIN[5] | Analog input 5 | - | - | - |
| 34 | 16 | 24 | I | ADCIN[4] | Analog input 4 | - | - | - |
| 35 | 17 | 25 | I | ADCIN[3] | Analog input 3 | - | - | - |
| 36 | 18 | 26 | I | ADCIN[2] | Analog input 2 | - | - | - |
| 37 | 19 | 27 | I | ADCIN[1] | Analog input 1 | - | - | - |
| 38 | 20 | 28 | I | ADCIN[0] | Analog input 0 | - | - | - |

1. The DIGIN3 and DGIN2 are connected together on the STLUX325A, DIGIN [3_2] pin.

2. Available only on the STUX325A.

3. Not available on the STUX285A.

6.3 Input/output specifications

The STLUX family includes three different I/O types:

- Normal I/Os configurable either at 2 or 10 MHz maximum frequency
- Fast I/O operating up to 12 MHz.
- High speed I/O operating up to 32 MHz

The STLUX I/Os are designed to withstand current injection. For a negative injection current of 4 mA, the resulting leakage current in the adjacent input does not exceed 1 μ A; further details are available in [Section 12: Electrical characteristics on page 82](#).

7 I/O multifunction signal configuration

Several I/Os have multiple functionalities selectable through the configuration mechanism described from [Section 7.1](#) to [Section 7.5 on page 41](#). The STLUX I/Os are grouped into four different configurable ports: P0, P1, P2 and P3.

7.1 Multifunction configuration policy

The STLUX supports either a cold or warm multifunction signal configuration policy according to the content of the EN_COLD_CFG bit field, a part of the GENCFG option byte register.

When the EN_COLD_CFG bit is set, the cold configuration is selected and the multifunction signals are configured according to the values stored in the option bytes; otherwise when the EN_COLD_CFG bit is cleared (default case), the warm configuration mode is chosen and the multifunction pin functionality is configured through the miscellaneous registers.

The configuration options and the proper configuration registers are detailed in [Table 5](#):

Table 5. Multifunction configuration registers

| EN_COLD_CFG | Configuration policy | Multifunction configuration registers |
|-------------|----------------------|--|
| 1 | Cold | AFR_IOMUXP0, AFR_IOMUXP1 and AFR_IOMUXP2 |
| 0 (default) | Warm | MSC_IOMUXP0, MSC_IOMUXP1 and MSC_IOMUXP2 |

The warm configuration is volatile, thus not maintained after a device reset.

7.2 Port P0 I/O multifunction configuration signal

The Port P0 multiplexes several input/output functionalities, increasing the device flexibility. The P0 port pins can be independently assigned to general purpose I/Os or to internal peripherals. All communication peripherals and the external oscillator are hosted by the Port P0 pins.

In order to avoid electrical conflicts on the user application board, the P0 signals are configured at reset as GPIO0 inputs without pull-up resistors. Once the reset is released, the firmware application must initialize the inputs with the proper configuration according to the application needs.

7.2.1 Alternate function P0 configuration signals

The multifunction pins can be configured via one of the following two registers, depending on the overall configuration policy (warm/cold):

- Cold configuration: AFR_IOMUXP0 option byte registers (refer to [Section 10: Option bytes on page 60](#)). After the reset the P0 signals are configured in line with AFR_IOMUXP0 contents.
- Warm configuration: MSC_IOMUXP0 miscellaneous register (refer to [Section 7.5 on page 41](#)). After the reset, the P0 signals are configured as GPIO input lines with the pull-up disabled.

Table 6 summarizes the Port P0 configuration scheme. Both registers MSC_IOMUXP0 and AFR_IOMUXP0 use the same register fields Sel_p054, Sel_p032 and Sel_p010 which respectively control the bits [5, 4], [3, 2] and [1, 0] of the Port P0.

Table 6. P0 internal multiplexing signals⁽¹⁾

| Port P0 multifunction configuration signal | | | | |
|--|-----------------------|----------------------|------------------|----------------|
| Port pins | Multifunction signal | | MUX selection | |
| | | | Selection fields | Value (binary) |
| P0[1,0] ⁽²⁾ | GPIO0 [1] | GPIO0 [0] | Sel_P010 | 00 |
| | UART_rx | UART_tx | | 01 |
| | I ² C_scl | I ² C_sda | | 10 |
| | RFU reserved encoding | | | 11 |
| P0[3,2] | GPIO0 [3] | GPIO0 [2] | Sel_P032 | 00 |
| | I ² C_scl | I ² C_sda | | 01 |
| | HseOscin | HseOscout | | 10 |
| | UART_rx | UART_tx | | 11 |
| P0[5,4] | GPIO0[5] | GPIO0[4] | Sel_P054 | 00 |
| | DALI_rx | DALI_tx | | 01 |
| | I ² C_scl | I ² C_sda | | 10 |
| | UART_rx | UART_tx | | 11 |

- The Sel_p054, Sel_p032, Sel_p010 are register fields for both registers MSC_IOMUXP0 and AFR_IOMUXP0.
The peripheral conflict (same resources selected on different pins at the same time) has to be prevented by SW configuration.
When the I²C interface is selected either on the GPIO0 [5:4] GPIO0 [3:2] or on GPIO0 [1:0] signals the related I/O port speed has to be configured at 10 MHz by programming the GPIO0 internal peripheral.
- Available only on the STLUX385A and STLUX383A.

7.2.2 Port P0 diagnostic signals

The primary I/Os can be used to trace the SMED's state evolution. This feature allows the debug of the complex SMED configurations. The trace selection can be enabled or disabled via the register MSC_IOMXSMD. The diagnostic signal selection through the MSC_IOMXSMD register overrides the functional configuration of the MSC_IOMUXP0 register.

The Port P0 [5:3] or P0 [2:0] can be configured to output one or two different SMEDs' current states.

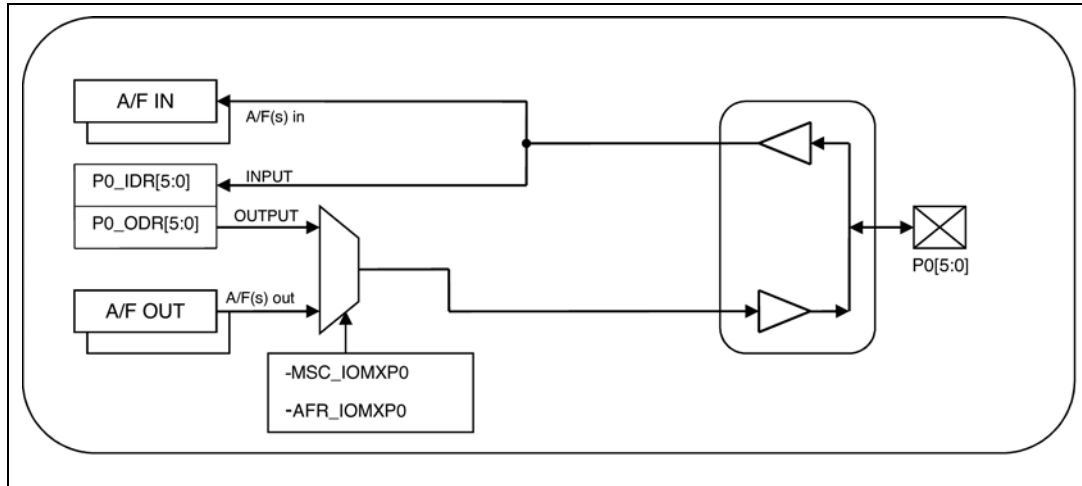
The SMEDs FSM state signals (coded on three bits) may be multiplexed either on port bits P0 [5:3] or P0 [2:0]; alternatively two different SMEDs signal states can be traced simultaneously on the same port bits. The SMED trace configuration is forbidden on the Port P [2:0] when the external comparator reference voltage is programmed on the Port P0 [1, 0].

The Port 0 I/O signal availability depends on the STLUX device.

7.2.3 Port P0 I/O functional multiplexing signal

Figure 10 shows an outline view of the Port P0 multifunction multiplexing scheme.

Figure 10. Port P0 I/O functional multiplexing scheme



Note: Where the “A/F(s) in” and “A/F(s) out” signals are defined in [Section 6.2 on page 32](#). Verify pin availability in [Table 4: Pin description on page 32](#).

On the STLUX325A device:

- P0_ODR [1:0] bits must be keep clear.
- P0 [6] is a multifunction signal configurable through the MSC_IOMUXP2 [7] and AFR_IOMUXP2 [7] register bits - for further details refer to [Section 7.4](#).
- Port P0 [6] signal is controlled by P0_ODR [6] and P0_IDR [6] GPIO0 registers.

On the STLUX285A device:

- P0_ODR [1:0] bits must be keep clear.

7.2.4 P0 interrupt capability

Port P0 signals may be configured to generate maskable (IRQ) and un-maskable (NMI) interrupts by programming the MSC_CFGP0<n> and the MSC_STSP0 registers (n = index port signal). This functionality is not applicable to the bit port P0 [6] on the STLUX325A and on the port P0:[1:0] on STLUX285A.

The interrupt request may be configured to wake-up the IC device from the WFI (wait for interrupt), AHalt (active Halt) and Halt power saving state.

7.2.5 P0 programmable pull-up and speed feature

The I/O speed and pad pull-up resistance (47 kΩ) of the port P0 may be configured through the GPIO0 internal registers.

The pull-up resistance of the multifunction signal P0 [6] is always enabled on the STLUX325A.

7.3 Port P1 I/O multifunction configuration signal

The Port P1 I/O multifunction pins, similarly to the Port P0, can be individually configured through the following set of registers based on the selected device configuration policy:

- Cold configuration: AFR_IOMUXP1 option byte register (refer to [Section 10 on page 60](#)). After reset the P1 signals are configured in line with AFR_IOMUXP1 contents.
- Warm configuration: MSC_IOMUXP1 miscellaneous register (refer to [Section 7.5](#)). After reset the P1 signals are configured as PWM output lines.

Every Port1 I/O can be configured to operate as a PWM output pin or a GPIO. Differently from the port P0s, the pins are configured as PWM output signals by default after reset.

[Table 7](#) summarizes the Port P1 configurations as selected by the register fields Sel_p15 ... Sel_p10 which respectively control the bits [5] ... [0] of the Port P1 (verify resources availability in [Table 4 on page 32](#)).

Table 7. Port P1 I/O multiplexing signal⁽¹⁾

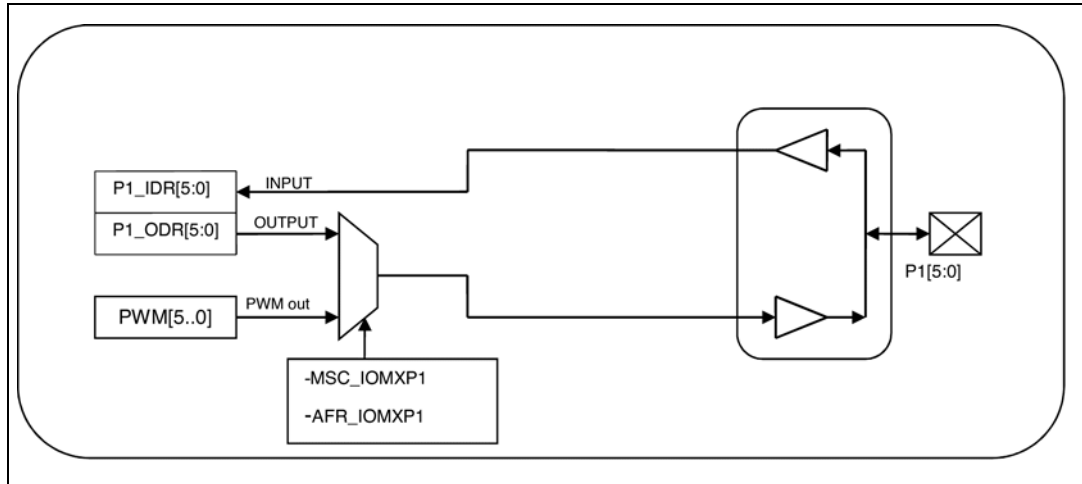
| Port P1 multifunction configuration signal | | | |
|--|----------------------|----------------|----------------|
| Output signal | Multifunction signal | MUX selection | |
| | | Selection bits | Value (binary) |
| P1[0] | PWM[0] | Sel_P10 | 1 |
| | GPIO1[0] | | 0 |
| P1[1] | PWM[1] | Sel_P11 | 1 |
| | GPIO1[1] | | 0 |
| P1[2] | PWM[2] | Sel_P12 | 1 |
| | GPIO1[2] | | 0 |
| P1[3] | PWM[3] | Sel_P13 | 1 |
| | GPIO1[3] | | 0 |
| P1[4] | PWM[4] | Sel_P14 | 1 |
| | GPIO1[4] | | 0 |
| P1[5] | PWM[5] | Sel_P15 | 1 |
| | GPIO1[5] | | 0 |

1. The Sel_p15...Sel_p10 are common register fields of both registers MSC_IOMUXP1 and AFR_IOMUXP1. In cold configuration the P1x are configured as defined by the AFR_IOMUXP1 option byte. The PWM default polarity level is configured by the register option byte GENCFG. Verify pin availability in [Table 4 on page 32](#).

7.3.1 Port P1 I/O multiplexing signal

Figure 11 shows an outline view of the port P1 signal multiplexing scheme.

Figure 11. Port P1 I/O multiplexing scheme



Note: The P1 [5:0] output signals may be read back from the P1_IDR register only when the pins are configured as GPIO out or PWM signals.

The PWM internal signal is read back also by its own SMED through the SMD<n>_FSM_STS register.

Verify pin availability in device pin Table 4 on page 32.

7.3.2 P1 programmable pull-up feature

The pad pull-up resistances (47 kΩ) of the Port1 may be configured through the GPIO1 internal register.

7.4 Port P2 I/O multifunction configuration signal

The Port2 I/O multifunction pins, similarly to the Port0 and Port2, can be individually configured through the following set of registers based on the selected device configuration policy:

- Cold configuration: AFR_IOMUXP2 option byte registers (refer to [Section 10: Option bytes on page 60](#)). After reset the P2 signals are configured in line with AFR_IOMUXP2 contents.
- Warm configuration: MSC_IOMUXP2 miscellaneous register (refer to [Section 7.5](#)). After reset the P2 signals are configured as DIGIN input lines with the pull-up enabled.

Table 8 summarizes the port P2 configurations selected by the register fields Sel_p25...Sel_p20 which respectively control the bits [5]... [0] of port P2. The P2 [0] is configured by the CCOEN bit field of the register CKC_CCOR. The SWIM alternate function signal (when available) is controlled by the Sel_SWIM bit field provided by registers AFR_IOMUXP2 [7] and MSC_IOMUXP2 [7].

Table 8. Port P2 I/O multiplexing signal

| Port P2 multifunction configuration signal | | | |
|--|----------------------|----------------|----------------|
| Output signal | Multifunction signal | MUX selection | |
| | | Selection bits | Value (binary) |
| P2[0] | DIGIN[0] | CCOEN | 0 |
| | CCO | | 1 |
| P2[4] | DIGIN[4] | Sel_P254 | 1 |
| | I ² C_sda | | 0 |
| P2[5] | DIGIN[5] | Sel_P254 | 1 |
| | I ² C_scl | | 0 |
| SWIM | GPIO0[6] | Sel_SWIM | 0 |
| | SWIM | | X |

Note: The Sel_P254 is a common register field of both registers MSC_IOMUXP2 and AFR_IOMUXP2.

The peripheral conflict (same resources selected on different pins at the same time) has to be prevented by SW configuration.

The signal ports P2 [3:1] are exclusively interconnected with DIGIN [3:1] primary pins. When the I²C i/f is selected on DIGIN [5:4] signals the I/O speed is auto-configured at 10 MHz and the internal pull-up functionality is controlled by the MSC_INPP2AUX1 register.

The GPIO0 [6] signal is selected when both Sel_SWIM = '0' and CFG_GCR [0] = '1'.

SWIM signal function is selected when the CFG_GCR [0] = '0'.

After reset by default the P2 [0] is configured as the DIGIN [0] signal.

Verify pinout availability in [Table 4: Pin description on page 32](#).

The P2 [0] is configured by the CCOEN field of the CKC_CCOR register as shown in [Table 8](#).

7.4.1 P2 interrupt capability

Port P2 signals may be configured to generate maskable (IRQ) and un-maskable (NMI) interrupts by configuring the MSC_CFGP2<n> and the MSC_STSP2 registers (n = index port signal 0-5).

The interrupt request may be configured to wake-up the IC device from the WFI (wait for interrupt), AHalt (active Halt) and Halt power saving state.

7.4.2 P2 programmable pull-up feature

The pad pull-up resistances (47 kΩ) of Port2 signals are individually controllable by the MSC_INPP2AUX1 register.



7.5 Multifunction Port configuration registers

MSC_IOMUXP0 (Port P1 I/O MUX control register)

Table 9. MSC_IOMUXP0 (Port P1 I/O MUX control register)

| Offset: 0x2A | | | | | | | |
|---------------------|---|----------------|---|----------------|---|-------------------------------|---|
| Default value: 0x00 | | | | | | | |
| 7 | 6 | 5 | 4 | 3 | 2 | 1 | 0 |
| RFU | | Sel_P054 [1:0] | | Sel_P032 [1:0] | | Sel_P010 [1:0] ⁽¹⁾ | |
| r | | r/w | | r/w | | r/w | |

1. Not available on the STLUX325A and STLUX285A.

The Port0 I/O multifunction signal configurations register (for functionality description refer to [Section 7.2 on page 35](#)).

Verify pinout availability in [Table 4: Pin description on page 32](#).

Bit 1 - 0:

Sel_P010 [1:0] Port0 [1:0] I/O multiplexing scheme:

00: Port0 [1:0] are interconnected to GPIO0 [1:0] signals

01: Port0 [1:0] are interconnected to UART_rx and UART_tx signals

10: Port0 [1:0] are interconnected to I²C_scl and I²C_sda signals

11: RFU

Bit 3 - 2:

Sel_P032 [1:0] Port0 [3:2] I/O multiplexing scheme:

00: Port0 [3:2] are interconnected to GPIO0 [3:2] signals

01: Port0 [3:2] are interconnected to I²C_scl and I²C_sda signals

10: Port0 [3:2] are interconnected to HseOscin and HseOscout analog signals

11: Port0 [3:2] are interconnected to UART_rx and UART_tx signals

Bit 5 - 4:

Sel_P054 [1:0] Port0 [5:4] I/O multiplexing scheme:

00: Port0 [5:4] are interconnected to GPIO0 [5:4] signals

01: Port0 [5:4] are interconnected to DALI_rx and DALI_tx signals

10: Port0 [5:4] are interconnected to I²C_scl and I²C_sda signals

11: Port0 [5:4] are interconnected to UART_rx and UART_tx signals

Bit 7 - 6:

RFU reserved; in order to guarantee future compatibility, the bits are kept or set to 0 during register write operations.

MSC_IOMUXP1 (Port P1 I/O MUX control register)**Table 10. MSC_IOMUXP1 (Port P1 I/O MUX control register)**

| Offset: 0x2B | | | | | | | |
|---------------------|---|-----------------------------|------------------------|---------|---------|---------|---------|
| Default value: 0x3F | | | | | | | |
| 7 | 6 | 5 | 4 | 3 | 2 | 1 | 0 |
| RFU | | Sel_P15 ^{(1), (2)} | Sel_P14 ⁽¹⁾ | Sel_P13 | Sel_P12 | Sel_P11 | Sel_P10 |
| r | | r/w | | | | | |

1. Not available on the STLUX285A; these bits are set to 1 after reset, must be cleared by SW during the IC device initialization phase and during register write operations.
2. Not available on the STLUX325A; these bits are set to 1 after reset, must be cleared by SW during the IC device initialization phase and during register write operations.

The Port1 I/O multifunction signal configuration register (for functionality description refer to [Section 7.3 on page 38](#)).

Verify pinout availability in [Table 4: Pin description on page 32](#).

Bit 0:

Sel_P10 Port1 [0] I/O multiplexing scheme:

0: Port1 [0] is interconnected to GPIO1 [0] signal

1: Port1 [0] is interconnected to PWM [0] signal

Bit 1:

Sel_P11 Port1 [1] I/O multiplexing scheme:

0: Port1 [1] is interconnected to GPIO1 [1] signal

1: Port1 [1] is interconnected to PWM [1] signal

Bit 2:

Sel_P12 Port1 [2] I/O multiplexing scheme:

0: Port1 [2] is interconnected to GPIO1 [2] signal

1: Port1 [2] is interconnected to PWM [2] signal

Bit 3:

Sel_P13 Port1 [3] I/O multiplexing scheme:

0: Port1 [3] is interconnected to GPIO1 [3] signal

1: Port1 [3] is interconnected to PWM [3] signal

Bit 4:

Sel_P14 Port1 [4] I/O multiplexing scheme:

0: Port1 [4] is interconnected to GPIO1 [4] signal

1: Port1 [4] is interconnected to PWM [4] signal

Bit 5:

Sel_P15 Port1 [5] I/O multiplexing scheme:

0: Port1 [5] is interconnected to GPIO1 [5] signal

1: Port1 [5] is interconnected to PWM [5] signal

Bit 7 - 6:

RFU reserved; in order to guarantee future compatibility, the bits are kept or set to 0 during register write operations.

MSC_IOMUXP2 (Port P2 I/O MUX control register)

Table 11. MSC_IOMUXP2 (Port P2 I/O MUX control register)

| Offset: 0x13 (indirect area) | | | | | | | |
|------------------------------|-----|---|----------|-----|---|---|---|
| Default value: 0xFF | | | | | | | |
| 7 | 6 | 5 | 4 | 3 | 2 | 1 | 0 |
| Sel_SWIM | RFU | | Sel_P254 | RFU | | | |
| r/w | r | | r/w | r | | | |

The Port1 I/O multifunction signal configurations register (for functionality description refer to [Section 7.5](#)). This register is not available on STLUX285A and must be kept set to its default value

Check device feature availability.

Bit 3 - 0:

RFU reserved; must be kept 0 during register writing for future compatibility

Bit 4:

Sel_P254 Port2 [5:4] I/O multiplexing scheme:

0: Port2 [5:4] are interconnected to I²C_scl and I²C_sda signals

1: Port2 [5:4] are interconnected to DIGIN [5:4] signals

Bit 6 - 5:

RFU reserved; in order to guarantee future compatibility, the bits are kept or set to 0 during register write operations.

Bit 7:

Sel_SWIM SWIM alternate function signal enable; this feature is active when the SWD field of the register CFG_GCR is set.

0: SWIM pin is configured with GPIO0 [6] signal.

1: SWIM functionality is preserved.

MSC_INPP2AUX1 (INPP aux register)**Table 12. MSC_INPP2AUX1 (INPP aux register)**

| Offset: 0x08 (indirect area) | | | | | | | |
|------------------------------|---|--------------------|---|---|---|---|---|
| Default value: 0x00 | | | | | | | |
| 7 | 6 | 5 | 4 | 3 | 2 | 1 | 0 |
| RFU | | INPP2_PULCTR [5:0] | | | | | |
| r | | r/w | | | | | |

Bit 5 - 0:

INPP2_PULCTR [5:0]. This register configures respectively the INPP2 [5:0] pull-up functionality as follows:

- 0: enable pad pull-up features (enabled by default for compatibility with the STLUX385)
- 1: disable pad pull-up

Bit 7 - 6:

RFU reserved; in order to guarantee future compatibility, the bits are kept or set to 0 during register write operations.

Note: The *MSC_IOMXP2* and *MSC_INPP2AUX1* are addressable in indirect mode.

On STLUX285A devices, due to DIGINs double bond interconnections the pull-up functionality must be configured in the same way for the two couple pins:

- DIGIN10 is controlled by register field NPP2_PULCTR[1:0].
- DIGIN32 is controlled by register field INPP2_PULCTR[3:2].
- DIGIN54 is controlled by register field INPP2_PULCTR[5:4].

8 Memory and register map

8.1 Memory map overview

This section describes the register map implemented in the STLUX devices family. [Table 13](#) shows the main memory map organization. All registers and memory spaces are configured within the first 64 Kbytes of memory, the remaining address spaces are kept reserved for the future use.

Table 13. Internal memory map

| Address | Description |
|----------------------|-------------------------------|
| 00.0000h | 2-kB RAM |
| 00.07FFh | Stack |
| 00.0800h 00.3FFFh | Reserved |
| 00.4000h 00.43FFh | 1 kB data E ² PROM |
| 00.4400h 00.47FFh | Reserved |
| 00.4800h 00.487Fh | 128 option bytes |
| 00.4880h 00.4FFFh | Reserved |
| 00.5000h 00.57FFh | Peripheral register region |
| 00.5800h 00.5FFFh | Reserved |
| 00.6000h 00.67FFh | 2-kB boot ROM |
| 00.6800h 00.7EFFh | Reserved |
| 00.7F00h 00.7FFFh | Core register region |
| 00.8000h | 32 interrupt vectors |
| 00.8080h 00.FFFFh | 32-kB program Flash |
| 01.0000h FF.FFFFh | Reserved |

By default the stack address is initialized at 0x07FF and rolls over when it reaches the address value of 0x0400.

8.2 Register map

[Section 8.2.1](#) shows the STLUX memory map.

8.2.1 General purpose I/O GPIO0 register map

Table 14. General purpose I/O GPIO0 register map

| Address | Block | Register name | Register description |
|-----------|-------|---------------|----------------------|
| 0x00.5000 | GPIO0 | P0_ODR | Output data |
| 0x00.5001 | | P0_IDR | Input data |
| 0x00.5002 | | P0_DDR | Data direction |
| 0x00.5003 | | P0_CR1 | Control register 1 |
| 0x00.5004 | | P0_CR2 | Control register 2 |

8.2.2 General purpose I/O GPIO1 register map

Table 15. General purpose I/O GPIO1 register map

| Address | Block | Register name | Register description |
|-----------|-------|---------------|----------------------|
| 0x00.5005 | GPIO1 | P1_ODR | Output data |
| 0x00.5006 | | P1_IDR | Input data |
| 0x00.5007 | | P1_DDR | Data direction |
| 0x00.5008 | | P1_CR1 | Control register 1 |
| 0x00.5009 | | P1_CR2 | Control register 2 |

8.2.3 Miscellaneous registers

Direct register address mode

Table 16. Miscellaneous direct register address mode

| Address | Block | Register name | Register description |
|-----------|-------|---------------|--|
| 0x00.5010 | MSC | MSC_CFGP00 | P00 input line control ⁽¹⁾ |
| 0x00.5011 | | MSC_CFGP01 | P01 input line control ⁽¹⁾ |
| 0x00.5012 | | MSC_CFGP02 | P02 input line control |
| 0x00.5013 | | MSC_CFGP03 | P03 input line control |
| 0x00.5014 | | MSC_CFGP04 | P04 input line control |
| 0x00.5015 | | MSC_CFGP05 | P05 input line control |
| 0x00.5016 | | MSC_CFGP20 | P20 input line control |
| 0x00.5017 | | MSC_CFGP21 | P21 input line control |
| 0x00.5018 | | MSC_CFGP22 | P22 input line control |
| 0x00.5019 | | MSC_CFGP23 | P23 input line control |
| 0x00.501A | | MSC_CFGP24 | P24 input line control |
| 0x00.501B | | MSC_CFGP25 | P25 input line control |
| 0x00.501C | | MSC_STSP0 | Port0 status |
| 0x00.501D | | MSC_STSP2 | Port2 status |
| 0x00.501E | | MSC_INPP2 | Port2 read |
| 0x00.501F | | RFU | Reserved for future use |
| 0x00.5020 | | MSC_DACCTR | Comparators and DAC configuration |
| 0x00.5021 | | MSC_DACIN0 | DAC0 input data |
| 0x00.5022 | | MSC_DACIN1 | DAC1 input data |
| 0x00.5023 | | MSC_DACIN2 | DAC2 input data |
| 0x00.5024 | | MSC_DACIN3 | DAC3 input data |
| 0x00.5025 | | MSC_SMDCFG01 | SMED 0 - 1 behavior |
| 0x00.5026 | | MSC_SMDCFG23 | SMED 2 - 3 behavior |
| 0x00.5027 | | MSC_SMDCFG45 | SMED 4 - 5 behavior |
| 0x00.5028 | | MSC_SMSWEV | SMED software events |
| 0x00.5029 | | MSC_SMUNLOCK | SMED unlock |
| 0x00.502A | | MSC_CBOXS0 | Connection matrix selection for SMED 0 |
| 0x00.502B | | MSC_CBOXS1 | Connection matrix selection for SMED 1 |
| 0x00.502C | | MSC_CBOXS2 | Connection matrix selection for SMED 2 |
| 0x00.502D | | MSC_CBOXS3 | Connection matrix selection for SMED 3 |
| 0x00.502E | | MSC_CBOXS4 | Connection matrix selection for SMED 4 |
| 0x00.502F | | MSC_CBOXS5 | Connection matrix selection for SMED 5 |

Table 16. Miscellaneous direct register address mode (continued)

| Address | Block | Register name | Register description |
|------------------------|-------|---------------|-----------------------------------|
| 0x00.5030 | MSC | MSC_IOMXSMD | SMED Trace multiplexing on port 0 |
| 0x00.5031 0x00.5035 | | RFU | Reserved for future use |
| 0x00.5036 | | MSC_CFGP15 | Aux timer interrupt configuration |
| 0x00.5037 | | MSC_STSP1 | Aux timer interrupt status |
| 0x00.5038 | | RFU | Reserved for future use |
| 0x00.5039 | | MSC_INPP3 | Port 3 (COMP) read |
| 0x00.503A | | MSC_IOMXP0 | Port 0 alternate function MUX |
| 0x00.503B | | MSC_IOMXP1 | Port 1 alternate function MUX |
| 0x00.503C | | MSC_IDXADD | MSC indirect register |
| 0x00.503D | | MSC_IDXDAT | MSC indirect data |

1. Address not available for the STLUX285A and STLUX325A.

Indirect register address mode

Table 17. Miscellaneous indirect register address mode

| Address (IDX) | Block | Register name | Register description |
|---------------|-------------------|---------------|--|
| 0x00 - 0x04 | MSC (indirect) | RFU | Reserved for future use |
| 0x05 | | MSC_DALICKSEL | DALI clock selection |
| 0x06 | | MSC_DALICKDIV | DALI filter clock division factor |
| 0x07 | | MSC_DALICONF | DALI filter mode configuration |
| 0x08 | | MSC_INPP2AUX1 | INPP2 auxiliary configuration register 1 |
| 0x09 | | MSC_INPP2AUX2 | INPP2 auxiliary configuration register 2 |
| 0x0A - 0x12 | | RFU | Reserved for future use |
| 0x13 | | MSC_IOMXP2 | Port2 alternate function MUX register ⁽¹⁾ |

1. Register not available for the STLUX285A.

8.2.4 Flash and E²PROM non-volatile memories

Table 18. Non-volatile memory register map

| Address | Block | Register name | Register description |
|-----------|-------|---------------|--|
| 0x00.505A | MIF | FLASH_CR1 | Control register 1 |
| 0x00.505B | | FLASH_CR2 | Control register 2 |
| 0x00.505C | | FLASH_nCR2 | Control register 2 (protection) |
| 0x00.505D | | FLASH_FPR | Memory protection |
| 0x00.505E | | FLASH_nFPR | Memory protection (complemented reg.) |
| 0x00.505F | | FLASH_IAPSR | Flash status |
| 0x00.5062 | | FLASH_PUKR | Write memory protection removal key reg. |
| 0x00.5063 | | RFU | Reserved for future use |
| 0x00.5064 | | FLASH_DUKR | Write memory protection removal data |
| 0x00.5071 | | FLASH_WAIT | Time access wait-state reg. |

8.2.5 Reset register

Table 19. RST_SR register map

| Address | Block | Register name | Register description |
|-----------|-------|---------------|----------------------|
| 0x00.50B3 | RSTC | RST_SR | Reset control status |

8.2.6 Clock and clock controller

Table 20. Clock and clock controller register map

| Address | Block | Register name | Register description |
|-----------|-------|---------------|----------------------------|
| 0x00.50B4 | CKC | CLK_SMD0 | SMED 0 clock configuration |
| 0x00.50B5 | | CLK_SMD1 | SMED 1 clock configuration |
| 0x00.50B6 | | CLK_SMD2 | SMED 2 clock configuration |
| 0x00.50B7 | | CLK_SMD3 | SMED 3 clock configuration |
| 0x00.50B8 | | CLK_SMD4 | SMED 4 clock configuration |
| 0x00.50B9 | | CLK_SMD5 | SMED 5 clock configuration |
| 0x00.50BA | | RFU | Reserved for future use |
| 0x00.50BB | | RFU | Reserved for future use |
| 0x00.50BC | | RFU | Reserved for future use |
| 0x00.50BD | | RFU | Reserved for future use |
| 0x00.50BE | | CLK_PLLDIV | PLL clock divisor |
| 0x00.50BF | | CLK_AWUDIV | AWU clock divisor |
| 0x00.50C0 | | CLK_ICKR | Internal clock control |
| 0x00.50C1 | | CLK_ECKR | External clock control |
| 0x00.50C2 | | CLK_PLLR | PLL control |
| 0x00.50C3 | | CLK_CMSR | Clock master |
| 0x00.50C4 | | CLK_SWR | Clock switch |
| 0x00.50C5 | | CLK_SWCR | Switch control |
| 0x00.50C6 | | CLK_CKDIVR | Clock dividers |
| 0x00.50C7 | | CLK_PCKENR1 | Peripherals clock enable |
| 0x00.50C8 | | CLK_CSSR | Clock security system |
| 0x00.50C9 | | CLK_CCOR | Configurable clock output |
| 0x00.50CA | | CLK_PCKENR2 | Peripherals clock enable |
| 0x00.50CB | | RFU | Reserved for future use |
| 0x00.50CC | | CLK_HSI TRIMR | HSI calibration trimmer |
| 0x00.50CD | | CLK_SWIMCCR | SWIM clock division |
| 0x00.50CE | | CLK_CCODIVR | CCO divider |
| 0x00.50CF | | CLK_ADCR | ADC clock configuration |

8.2.7 WWDG timers

Table 21. WWDG timer register map

| Address | Block | Register name | Register description |
|-----------|-------|---------------|----------------------|
| 0x00.50D1 | WWDG | WWDG_CR | Watchdog control |
| 0x00.50D2 | | WWDG_WR | Watchdog window |

8.2.8 IWDG timers

Table 22. IWDG timer register map

| Address | Block | Register name | Register description |
|-----------|-------|---------------|-------------------------------------|
| 0x00.50E0 | IWDG | IWDG_KR | Watchdog key |
| 0x00.50E1 | | IWDG_PR | Watchdog time base |
| 0x00.50E2 | | IWDG_RLR | Watchdog counter value after reload |

8.2.9 AWU timers

Table 23. AWU timer register map

| Address | Block | Register name | Register description |
|-----------|-------|---------------|-----------------------------------|
| 0x00.50F0 | AWU | AWU_CSR | AWU control status |
| 0x00.50F1 | | AWU_APR | AWU asynchronous prescaler buffer |
| 0x00.50F2 | | AWU_TBR | AWU time base selection |

8.2.10 Inter-integrated circuit interface (I²C)

Table 24. I²C register map

| Address | Block | Register name | Register description |
|-----------|------------------|-------------------------|--|
| 0x00.5210 | I ² C | I ² C_CR1 | I ² C control register 1 |
| 0x00.5211 | | I ² C_CR2 | I ² C control register 2 |
| 0x00.5212 | | I ² C_FREQR | I ² C frequency register |
| 0x00.5213 | | I ² C_OARL | I ² C own add-low register |
| 0x00.5214 | | I ² C_OARH | I ² C own add-high register |
| 0x00.5215 | | RFU | Reserved for future use |
| 0x00.5216 | | I ² C_DR | I ² C data register |
| 0x00.5217 | | I ² C_SR1 | I ² C status register 1 |
| 0x00.5218 | | I ² C_SR2 | I ² C status register 2 |
| 0x00.5219 | | I ² C_SR3 | I ² C status register 3 |
| 0x00.521A | | I ² C_ITR | I ² C interrupt |
| 0x00.521B | | I ² C_CCRL | I ² C clock control |
| 0x00.521C | | I ² C_CCRH | I ² C clock control |
| 0x00.521D | | I ² C_TRISER | I ² C rising edge |

8.2.11 Universal asynchronous receiver/transmitter (UART)

Table 25. UART register map

| Address | Block | Register name | Register description |
|-----------|-------|---------------|--|
| 0x00.5230 | UART | UART_SR | UART status |
| 0x00.5231 | | UART_DR | UART data |
| 0x00.5232 | | UART_BRR1 | UART baud rate div. mantissa [7:0] |
| 0x00.5233 | | UART_BRR2 | UART baud rate div. mantissa [11:8] SCIDIV FRACT [3:0] |
| 0x00.5234 | | UART_CR1 | UART control register 1 |
| 0x00.5235 | | UART_CR2 | UART control register 2 |
| 0x00.5236 | | UART_CR3 | UART control register 3 |
| 0x00.5237 | | UART_CR4 | UART control register 4 |

8.2.12 System timer registers

Table 26. System timer register map

| Address | Block | Register name | Register description |
|-----------|-------|---------------|----------------------|
| 0x00.5340 | STMR | STMR_CR1 | Control register 1 |
| 0x00.5341 | | STMR_IER | Interrupt enable |
| 0x00.5342 | | STMR_SR1 | Status register 1 |
| 0x00.5343 | | STMR_EGR | Event generation |
| 0x00.5344 | | STMR_CNTH | Counter high |
| 0x00.5345 | | STMR_CNTL | Counter low |
| 0x00.5346 | | STMR_PSCL | Prescaler low |
| 0x00.5347 | | STMR_ARRH | Autoreload high |
| 0x00.5348 | | STMR_ARRL | Autoreload low |

8.2.13 Auxiliary timer registers

Table 27. Auxiliary timer register map

| Address | Block | Register name | Register description |
|-----------|-------|---------------|---------------------------|
| 0x00.5009 | GPIO1 | P1_CR2 | Control register 2 |
| 0x00.5036 | MSC | MSC_CFGP15 | P15 input line control |
| 0x00.5037 | | MSC_STSP1 | Port 1 status |
| 0x00.50C6 | CKC | CLK_CCODIVR | CCO clock dividers |
| 0x00.50C9 | | CLK_CCOR | Configurable clock output |

8.2.14 Digital addressable lighting interface (DALI)

Table 28. DALI register map

| Address | Block | Register name | Register description |
|-----------|-------|---------------|-------------------------------|
| 0x00.53C0 | DALI | DALI_CLK_L | Data rate control |
| 0x00.53C1 | | DALI_CLK_H | Data rate control |
| 0x00.53C2 | | DALI_FB0 | Forward message |
| 0x00.53C3 | | DALI_FB1 | Forward message |
| 0x00.53C4 | | DALI_FB2 | Forward message |
| 0x00.53C5 | | DALI_BD | Backward message |
| 0x00.53C6 | | DALI_CR | Control |
| 0x00.53C7 | | DALI_CSR | Control and status register |
| 0x00.53C8 | | DALI_CSR1 | Control and status register 1 |
| 0x00.53C9 | | DALI_REVLN | Control reverse signal line |

8.2.15 DALI noise rejection filter registers

Table 29. DALI filter register map

| Address | Offset | Block | Register name | Register description |
|-----------|--------|----------------|---------------|-----------------------------------|
| 0x00.503C | 0x05 | MSC (indirect) | MCS_DALICKSEL | DALI clock selection |
| 0x00.503C | 0x06 | | MSC_DALICKDIV | DALI filter clock division factor |
| 0x00.503C | 0x07 | | MSC_DALICONF | DALI filter mode configuration |

8.2.16 Analog-to-digital converter (ADC)

Table 30. ADC register map and reset value

| Address | Block | Register name | Register description |
|-----------|------------|-------------------|----------------------------|
| 0x00.5400 | ADC | ADC_CFG | Configuration |
| 0x00.5401 | | ADC_SOC | Start of conversion |
| 0x00.5402 | | ADC_IER | Interrupt enable |
| 0x00.5403 | | ADC_SEQ | Sequencer |
| 0x00.5404 | | ADC_DATL_0 | Low part data 0 converted |
| 0x00.5405 | | ADC_DATH_0 | High part data 0 converted |
| 0x00.5406 | | ADC_DATL_1 | Low part data 1 converted |
| 0x00.5407 | | ADC_DATH_1 | High part data 1 converted |
| 0x00.5408 | | ADC_DATL_2 | Low part data 2 converted |
| 0x00.5409 | | ADC_DATH_2 | High part data 2 converted |
| 0x00.540A | | ADC_DATL_3 | Low part data 3 converted |
| 0x00.540B | | ADC_DATH_3 | High part data 3 converted |
| 0x00.540C | | ADC_DATL_4 | Low part data 4 converted |
| 0x00.540D | | ADC_DATH_4 | High part data 4 converted |
| 0x00.540E | | ADC_DATL_5 | Low part data 5 converted |
| 0x00.540F | | ADC_DATH_5 | High part data 5 converted |
| 0x00.5410 | | ADC_DATL_6 | Low part data 6 converted |
| 0x00.5411 | | ADC_DATH_6 | High part data 6 converted |
| 0x00.5412 | | ADC_DATL_7 | Low part data 7 converted |
| 0x00.5413 | | ADC_DATH_7 | High part data 7 converted |
| 0x00.5414 | ADC_SR | Status | |
| 0x00.5415 | ADC_DLYCNT | SOC delay counter | |

8.2.17 State machine event driven (SMEDs)

The SMED<n> address register is:

$$\text{ADD_REG} = (5500\text{h} + (40\text{h}) * n) + \text{offset}$$

where <n> is the SMED instance number 0 - 5.

Table 31. SMED register map

| Address (offset) | Block | Register name | Register description |
|------------------|---------|----------------|------------------------------|
| 0x00 | SMED<n> | SMD<n>_CTR | Control |
| 0x01 | | SMD<n>_CTR_TMR | Control time |
| 0x02 | | SMD<n>_CTR_INP | Control input |
| 0x03 | | SMD<n>_CTR_DTR | Dithering |
| 0x04 | | SMD<n>_TMR_T0L | Time T0 LSB |
| 0x05 | | SMD<n>_TMR_T0H | Time T0 MSB |
| 0x06 | | SMD<n>_TMR_T1L | Time T1 LSB |
| 0x07 | | SMD<n>_TMR_T1H | Time T1 MSB |
| 0x08 | | SMD<n>_TMR_T2L | Time T2 LSB |
| 0x09 | | SMD<n>_TMR_T2H | Time T2 MSB |
| 0x0A | | SMD<n>_TMR_T3L | Time T3 LSB |
| 0x0B | | SMD<n>_TMR_T3H | Time T3 MSB |
| 0x0C | | SMD<n>_PRM_ID0 | IDLE state parameter0 |
| 0x0D | | SMD<n>_PRM_ID1 | IDLE state parameter1 |
| 0x0E | | SMD<n>_PRM_ID2 | IDLE state parameter2 |
| 0x0F | | SMD<n>_PRM_S00 | S0 state parameter0 |
| 0x10 | | SMD<n>_PRM_S01 | S0 state parameter1 |
| 0x11 | | SMD<n>_PRM_S02 | S0 state parameter2 |
| 0x12 | | SMD<n>_PRM_S10 | S1 state parameter0 |
| 0x13 | | SMD<n>_PRM_S11 | S1 state parameter1 |
| 0x14 | | SMD<n>_PRM_S12 | S1 state parameter2 |
| 0x15 | | SMD<n>_PRM_S20 | S2 state parameter0 |
| 0x16 | | SMD<n>_PRM_S21 | S2 state parameter1 |
| 0x17 | | SMD<n>_PRM_S22 | S2 state parameter2 |
| 0x18 | | SMD<n>_PRM_S30 | S3 state parameter0 |
| 0x19 | | SMD<n>_PRM_S31 | S3 state parameter1 |
| 0x1A | | SMD<n>_PRM_S32 | S3 state parameter2 |
| 0x1B | | SMD<n>_CFG | Timer configuration register |
| 0x1C | | SMD<n>_DMP_L | Counter dump LSB |
| 0x1D | | SMD<n>_DMP_H | Counter dump MSB |

Table 31. SMED register map (continued)

| Address (offset) | Block | Register name | Register description |
|------------------|---------|----------------|----------------------------|
| 0x1E | SMED<n> | SMD<n>_GSTS | General status |
| 0x1F | | SMD<n>_IRQ | Interrupt request register |
| 0x20 | | SMD<n>_IER | Interrupt enable register |
| 0x21 | | SMD<n>_ISEL | External events control |
| 0x22 | | SMD<n>_DMP | Dump enable |
| 0x23 | | SMD<n>_FSM_STS | FSM core status |

8.2.18 CPU register

Table 32. CPU register map

| Address | Block | Register name | Register description |
|-----------|-------|---------------|--------------------------|
| 0x00.7F00 | CPU | A | Accumulator |
| 0x00.7F01 | | PCE | Program counter extended |
| 0x00.7F02 | | PCH | Program counter high |
| 0x00.7F03 | | PCL | Program counter low |
| 0x00.7F04 | | XH | X-index high |
| 0x00.7F05 | | XL | X-index low |
| 0x00.7F06 | | YH | Y-index high |
| 0x00.7F07 | | YL | Y-index low |
| 0x00.7F08 | | SPH | Stack pointer high |
| 0x00.7F09 | | SPL | Stack pointer low |
| 0x00.7F0A | | CC | Code condition |

Note: Register space accessible in debug mode only.

8.2.19 Global configuration register

Table 33. CFG_GCR register map

| Address | Block | Register name | Register description |
|-----------|-------|---------------|----------------------|
| 0x00.7F60 | GCR | CFG_GCR | Global configuration |

8.2.20 Interrupt controller

Table 34. Interrupt software priority register map

| Address | Block | Register name | Register description |
|-----------|-------|---------------|----------------------------------|
| 0x00.7F70 | ITC | ITC_SPR0 | Interrupt SW priority register 0 |
| 0x00.7F71 | | ITC_SPR1 | Interrupt SW priority register 1 |
| 0x00.7F72 | | ITC_SPR2 | Interrupt SW priority register 2 |
| 0x00.7F73 | | ITC_SPR3 | Interrupt SW priority register 3 |
| 0x00.7F74 | | ITC_SPR4 | Interrupt SW priority register 4 |
| 0x00.7F75 | | ITC_SPR5 | Interrupt SW priority register 5 |
| 0x00.7F76 | | ITC_SPR6 | Interrupt SW priority register 6 |
| 0x00.7F77 | | ITC_SPR7 | Interrupt SW priority register 7 |

8.2.21 SWIM control register

Table 35. SWIM register map

| Address | Block | Register name | Register description |
|-----------|-------|---------------|-----------------------|
| 0x00.7F80 | SWIM | SWIM_CSR | SWIM control status |
| 0x00.7F90 | DM | DM_BK1E | DM internal registers |
| ... | | ... | |
| 0x00.7F9B | | DM_VER | |

9 Interrupt table

[Table 36](#) shows the STLUX internal controller's interrupt vector.

Table 36. Interrupt vector exception table

| Priority | Source block | Description | Wakeup from Halt | Wakeup from active halt | Interrupt vector address |
|----------|--------------------|---------------------------------|-------------------------|-------------------------|--------------------------|
| | RESET | Reset | Yes | Yes | 8000h |
| | TRAP | Software interrupt | | | 8004h |
| 0 | NMI | NMI (not maskable interrupt) | Yes ⁽¹⁾ | Yes ⁽¹⁾ | 8008h |
| 1 | AWU | Auto-wakeup from Halt | | Yes | 800Ch |
| 2 | CKC | Clock controller | | | 8010h |
| 3 | PO | GPIO0 [5:0] external interrupts | Yes ^{(1), (2)} | Yes ^{(1), (2)} | 8014h |
| 4 | AUXTIM | Auxiliary timer | | | 8018h |
| 5 | P2 | DIGIN [5:0] external interrupts | Yes ^{(1), (2)} | Yes ^{(1), (2)} | 801Ch |
| 6 | SMED0 | SMED-0 interrupt | | | 8020h |
| 7 | SMED1 | SMED-1 control logic | | | 8024h |
| 8 | RFU ⁽³⁾ | Reserved for future use | | | 8028h |
| 9 | RFU ⁽³⁾ | Reserved for future use | | | 802Ch |
| 10 | RFU ⁽³⁾ | Reserved for future use | | | 8030h |
| 11 | RFU ⁽³⁾ | Reserved for future use | | | 8034h |
| 12 | RFU ⁽³⁾ | Reserved for future use | | | 8038h |
| 13 | RFU ⁽³⁾ | Reserved for future use | | | 803Ch |
| 14 | RFU ⁽³⁾ | Reserved for future use | | | 8040h |
| 15 | SMED2 | SMED-2 control logic | | | 8044h |
| 16 | SMED3 | SMED-3 control logic | | | 8048h |
| 17 | UART | Tx complete | | | 804Ch |
| 18 | UART | Receive register DATA FULL | Indirect ⁽⁴⁾ | Indirect ⁽⁴⁾ | 8050h |
| 19 | I ² C | I ² C interrupt | Indirect ⁽⁴⁾ | Yes | 8054h |
| 20 | RFU ⁽³⁾ | Reserved for future use | | | 8058h |
| 21 | RFU ⁽³⁾ | Reserved for future use | | | 805Ch |
| 22 | ADC | End of conversion | | | 8060h |
| 23 | SYS-TMR | Update/overflow | | | 8064h |
| 24 | FLASH | EOP/WR_PG_DIS | | | 8068h |
| 25 | DALI | DALI interrupt line | Indirect ⁽⁴⁾ | Indirect ⁽⁴⁾ | 806Ch |
| 26 | SMED4 | SMED-4 control logic | | | 8070h |
| 27 | SMED5 | SMED-5 control logic | | | 8074h |

Table 36. Interrupt vector exception table (continued)

| Priority | Source block | Description | Wakeup from Halt | Wakeup from active halt | Interrupt vector address |
|----------|--------------------|---------------------|------------------|-------------------------|--------------------------|
| 28 | RFU ⁽³⁾ | Reserved future use | | | 8078h |
| 29 | RFU ⁽³⁾ | Reserved future use | | | 807Ch |

1. The P [2, 0] [x] may be configured to generate a NMI requests.
2. The P [2, 0] [x] may be configured to generate an IRQ requests.
3. All RFU and unused interrupts should be initialized with 'IRET' for robust programming.
4. The P0 [x] may be configured to generate an IRQ and NMI request.

10 Option bytes

The user option byte is a memory E²PROM area allowing users to customize the IC device major functionalities:

- ROP: readout protection control field
- UBC: user boot code protection
- PWM: configurable reset output value
- WDG: internal watchdog HW configuration
- AFR: alternate multifunction signals configuration
- CKC: clock controller functionalities (PLL, HSE enable, AWU clock selection, etc.)
- HSE: clock stabilization counter
- WAIT: Flash and E²PROM wait state access time has to be configured with value 0x00
- BOOT: configurable internal boot sources
- BL: bootloader control sequences

Except the ROP byte all the other option bytes are stored twice in a regular (OPT) and complemented format (NOPT) for redundancy. The option byte can be programmed in ICP mode through the SWIM interface or in IAP mode by the application with the exception of the ROP byte that can be only configured via the SWIM interface.

For further information about Flash programming refer to the programming manual “How to program STM8S and STM8A Flash program memory and data EEPROM” (PM0051).

For information on SWIM programming procedures refer to the “STM8 SWIM communication protocol and debug module” user manual (UM0470).



10.1 Option byte register overview

Table 37. Option byte register overview - STLUX385A

| Address | Option name | Option bits | | | | | | | | Default settings |
|---------|-------------|--------------|-----------|----------------|------------|----------------|------------|-----------------|--------------|------------------|
| | | 7 | 6 | 5 | 4 | 3 | 2 | 1 | 0 | |
| 4800h | ROP | ROP[7:0] | | | | | | | | 00h |
| 4801h | UCB | UCB[7:0] | | | | | | | | 00h |
| 4802h | nUCB | nUCB[7:0] | | | | | | | | FFh |
| 4803h | GENCFG | Rst_PWM5 | Rst_PWM4 | Rst_PWM3 | Rst_PWM2 | Rst_PWM1 | Rst_PWM0 | COMP1_2 | EN_COLD_CFG | 00h |
| 4804h | nGENCFG | nRst_PWM5 | nRst_PWM4 | nRst_PWM3 | nRst_PWM2 | nRst_PWM1 | nRst_PWM0 | nCOMP1_2 | nEN_COLD_CFG | FFh |
| 4805h | MISCUOPT | - | - | 1 | - | LSI_EN | IWdg_hw | WWdg_hw | WWDG_HALT | 28h |
| 4806h | nMISCUOPT | - | - | 0 | - | nLSI_EN | nIWdg_hw | nWWdg_hw | nWWDG_HALT | D7h |
| 4807h | CLKCTL | - | - | - | CKAWUSEL1 | EXTCLK | CKAWUSEL0 | PRSC[1:0] | | 09h |
| 4808h | nCLKCTL | - | - | - | nCKAWUSEL1 | nEXTCLK | nCKAWUSEL0 | nPRSC [1:0] | | F6h |
| 4809h | HSESTAB | HSECNT[7:0] | | | | | | | | 00h |
| 480Ah | nHSESTAB | nHSECNT[7:0] | | | | | | | | FFh |
| 480Bh | RESERVED | - | | | | | | | | 00h |
| 480Ch | | | | | | | | | | FFh |
| 480Dh | WAITSTATE | - | - | - | - | - | - | WaitStat [1:0] | | 00h |
| 480Eh | nWAITSTATE | - | - | - | - | - | - | nWaitStat [1:0] | | FFh |
| 480Fh | AFR_IOMXP0 | - | - | Sel_P054[1:0] | | Sel_P032[1:0] | | Sel_P010[1:0] | | 00h |
| 4810h | nAFR_IOMXP0 | - | - | nSel_P054[1:0] | | nSel_P032[1:0] | | nSel_P010[1:0] | | FFh |
| 4811h | AFR_IOMXP1 | AUXTMR | - | Sel_P15 | Sel_P14 | Sel_P13 | Sel_P12 | Sel_P11 | Sel_P10 | 00h |
| 4812h | nAFR_IOMXP1 | nAUXTMR | - | nSel_P15 | nSel_P14 | nSel_P13 | nSel_P12 | nSel_P11 | nSel_P10 | FFh |
| 4813h | AFR_IOMXP2 | - | - | - | Sel_P254 | - | - | - | - | 10h |
| 4814h | nAFR_IOMXP2 | - | - | - | nSel_P254 | - | - | - | - | EFh |



Table 37. Option byte register overview - STLUX385A (continued)

| Address | Option name | Option bits | | | | | | | | Default settings |
|---------|-------------|-------------|---|-----------------|---|---|---|----------------|---|------------------|
| | | 7 | 6 | 5 | 4 | 3 | 2 | 1 | 0 | |
| 4815h | MSC_OPT0 | - | - | UARTLine [1:0] | | - | - | BootSel [1:0] | | 01h |
| 4816h | nMSC_OPT0 | - | - | nUARTLine [1:0] | | - | - | nBootSe l[1:0] | | FEh |
| 4817h | RESERVED | - | - | - | - | - | - | - | - | 00h |
| 487Dh | | | | | | | | | | |
| 487Eh | OPTBL | BL [7:0] | | | | | | | | 00h |
| 487Fh | nOPTBL | nBL [7:0] | | | | | | | | FFh |

Note: *The default setting values refer to the factory configuration. The factory configuration can be overwritten by the user in accordance with the target application requirements.*

The factory configuration values are loosed after user programming fields or in case of the ROP unprotecting attempt causing a "Global Flash Erase".

The predefined initialized bit-values (1 or 0) must be preserved during memory writing.

An undefined option bit must be keep 0 and the complement value at 1 during the memory writing sequence.



Table 38. Option byte register overview - STLUX383A

| Address | Option name | Option bits | | | | | | | | Default settings |
|---------|-------------|---------------|-----------|-----------------|------------|-----------------|------------|-----------------|--------------|------------------|
| | | 7 | 6 | 5 | 4 | 3 | 2 | 1 | 0 | |
| 4800h | ROP | ROP [7:0] | | | | | | | | 00h |
| 4801h | UCB | UCB [7:0] | | | | | | | | 00h |
| 4802h | nUCB | nUCB [7:0] | | | | | | | | FFh |
| 4803h | GENCFG | Rst_PWM5 | Rst_PWM4 | Rst_PWM3 | Rst_PWM2 | Rst_PWM1 | Rst_PWM0 | COMP1_2 | EN_COLD_CFG | 00h |
| 4804h | nGENCFG | nRst_PWM5 | nRst_PWM4 | nRst_PWM3 | nRst_PWM2 | nRst_PWM1 | nRst_PWM0 | nCOMP1_2 | nEN_COLD_CFG | FFh |
| 4805h | MISCUOPT | - | - | 1 | - | LSI_EN | IWdg_hw | WWdg_hw | WWDG_HALT | 28h |
| 4806h | nMISCUOPT | - | - | 0 | - | nLSI_EN | nIWdg_hw | nWWdg_hw | nWWDG_HALT | D7h |
| 4807h | CLKCTL | - | - | - | CKAWUSEL1 | EXTCLK | CKAWUSEL0 | PRSC[1:0] | | 09h |
| 4808h | nCLKCTL | - | - | - | nCKAWUSEL1 | nEXTCLK | nCKAWUSEL0 | nPRSC[1:0] | | F6h |
| 4809h | HSESTAB | HSECNT [7:0] | | | | | | | | 00h |
| 480Ah | nHSESTAB | nHSECNT [7:0] | | | | | | | | FFh |
| 480Bh | RESERVED | - | | | | | | | | 00h |
| 480Ch | | | | | | | | | | FFh |
| 480Dh | WAITSTATE | - | - | - | - | - | - | WaitStat [1:0] | | 00h |
| 480Eh | nWAITSTATE | - | - | - | - | - | - | nWaitStat [1:0] | | FFh |
| 480Fh | AFR_IOMXP0 | - | - | Sel_P054 [1:0] | | Sel_P032 [1:0] | | Sel_P010 [1:0] | | 00h |
| 4810h | nAFR_IOMXP0 | - | - | nSel_P054 [1:0] | | nSel_P032 [1:0] | | nSel_P010 [1:0] | | FFh |
| 4811h | AFR_IOMXP1 | AUXTMR | - | Sel_P15 | Sel_P14 | Sel_P13 | Sel_P12 | Sel_P11 | Sel_P10 | 3Fh |
| 4812h | nAFR_IOMXP1 | nAUXTMR | - | nSel_P15 | nSel_P14 | nSel_P13 | nSel_P12 | nSel_P11 | nSel_P10 | C0h |
| 4813h | AFR_IOMXP2 | - | - | - | Sel_P254 | - | - | - | - | 10h |
| 4814h | nAFR_IOMXP2 | - | - | - | nSel_P254 | - | - | - | - | EFh |
| 4815h | MSC_OPT0 | - | - | UARTLine [1:0] | | - | - | BootSel [1:0] | | 01h |

Table 38. Option byte register overview - STLUX383A (continued)

| Address | Option name | Option bits | | | | | | | | Default settings |
|---------|-------------|-------------|---|-----------------|---|---|---|----------------|---|------------------|
| | | 7 | 6 | 5 | 4 | 3 | 2 | 1 | 0 | |
| 4816h | nMSC_OPT0 | - | - | nUARTLine [1:0] | | - | - | nBootSel [1:0] | | FEh |
| 4817h | RESERVED | - | - | - | - | - | - | - | - | 00h |
| 487Dh | | | | | | | | | | |
| 487Eh | OPTBL | BL [7:0] | | | | | | | | 00h |
| 487Fh | nOPTBL | nBL [7:0] | | | | | | | | FFh |

Note: *The default setting values refer to the factory configuration. The factory configuration can be overwritten by the user in accordance with the target application requirements.*

The factory configuration values are loosed after user programming fields or in case of the ROP unprotecting attempt causing a “Global Flash Erase”.

The predefined initialized bit-values (1 or 0) must be preserved during memory writing.

An undefined option bit must be keep 0 and the complement value at 1 during the memory writing sequence.

Table 39. Option byte register overview - STLUX325A

| Address | Option name | Option bits | | | | | | | | Default settings |
|---------|-------------|--------------|-----------|-----------------|------------|----------------|------------|-----------------|--------------|------------------|
| | | 7 | 6 | 5 | 4 | 3 | 2 | 1 | 0 | |
| 4800h | ROP | ROP [7:0] | | | | | | | | 00h |
| 4801h | UCB | UCB [7:0] | | | | | | | | 00h |
| 4802h | nUCB | nUCB [7:0] | | | | | | | | FFh |
| 4803h | GENCFG | - | Rst_PWM4 | Rst_PWM3 | Rst_PWM2 | Rst_PWM1 | Rst_PWM0 | - | EN_COLD_CFG | 00h |
| 4804h | nGENCFG | - | nRst_PWM4 | nRst_PWM3 | nRst_PWM2 | nRst_PWM1 | nRst_PWM0 | - | nEN_COLD_CFG | FFh |
| 4805h | MISCUOPT | - | - | 1 | - | LSI_EN | IWdg_hw | WWdg_hw | WWDG_HALT | 28h |
| 4806h | nMISCUOPT | - | - | 0 | - | nLSI_EN | nIWdg_hw | nWWdg_hw | nWWDG_HALT | D7h |
| 4807h | CLKCTL | - | - | - | CKAWUSEL1 | EXTCLK | CKAWUSEL0 | PRSC [1:0] | | 09h |
| 4808h | nCLKCTL | - | - | - | nCKAWUSEL1 | nEXTCLK | nCKAWUSEL0 | nPRSC [1:0] | | F6h |
| 4809h | HSESTAB | HSECNT[7:0] | | | | | | | | 00h |
| 480Ah | nHSESTAB | nHSECNT[7:0] | | | | | | | | FFh |
| 480Bh | RESERVED | - | | | | | | | | 00h |
| 480Ch | | | | | | | | | | FFh |
| 480Dh | WAITSTATE | - | - | - | - | - | - | WaitStat [1:0] | | 00h |
| 480Eh | nWAITSTATE | - | - | - | - | - | - | nWaitStat [1:0] | | FFh |
| 480Fh | AFR_IOMXP0 | - | - | Sel_P054[1:0] | | Sel_P032[1:0] | | - | - | 00h |
| 4810h | nAFR_IOMXP0 | - | - | nSel_P054[1:0] | | nSel_P032[1:0] | | - | - | FFh |
| 4811h | AFR_IOMXP1 | AUXTMR | - | - | Sel_P14 | Sel_P13 | Sel_P12 | Sel_P11 | Sel_P10 | 1Fh |
| 4812h | nAFR_IOMXP1 | nAUXTMR | - | - | nSel_P14 | nSel_P13 | nSel_P12 | nSel_P11 | nSel_P10 | E0h |
| 4813h | AFR_IOMXP2 | Sel_SWIM | - | - | Sel_P254 | - | - | - | - | 10h |
| 4814h | nAFR_IOMXP2 | nSel_SWIM | - | - | nSel_P254 | - | - | - | - | EFh |
| 4815h | MSC_OPT0 | - | - | UARTLine [1:0] | | - | - | BootSel [1:0] | | 01h |
| 4816h | nMSC_OPT0 | - | - | nUARTLine [1:0] | | - | - | nBootSel [1:0] | | FEh |



Table 39. Option byte register overview - STLUX325A (continued)

| Address | Option name | Option bits | | | | | | | | Default settings |
|---------|-------------|-------------|---|---|---|---|---|---|---|------------------|
| | | 7 | 6 | 5 | 4 | 3 | 2 | 1 | 0 | |
| 4817h | RESERVED | - | - | - | - | - | - | - | - | 00h |
| 487Dh | | | | | | | | | | |
| 487Eh | OPTBL | BL [7:0] | | | | | | | | 00h |
| 487Fh | nOPTBL | nBL [7:0] | | | | | | | | FFh |

Note: *The default setting values refer to the factory configuration. The factory configuration can be overwritten by the user in accordance with the target application requirements.*

The factory configuration values are loosed after user programming fields or in case of the ROP unprotecting attempt causing a "Global Flash Erase".

The predefined initialized bit-values (1 or 0) must be preserved during memory writing.

An undefined option bit must be keep 0 and the complement value at 1 during the memory writing sequence.

Table 40. Option byte register overview - STLUX285A

| Address | Option name | Option bits | | | | | | | | Default settings |
|---------|-------------|---------------|---|-----------------|------------|-----------------|------------|-----------------|--------------|------------------|
| | | 7 | 6 | 5 | 4 | 3 | 2 | 1 | 0 | |
| 4800h | ROP | ROP [7:0] | | | | | | | | 00h |
| 4801h | UCB | UBC [7:0] | | | | | | | | 00h |
| 4802h | nUCB | nUBC [7:0] | | | | | | | | FFh |
| 4803h | GENCFG | | | Rst_PWM3 | Rst_PWM2 | Rst_PWM1 | Rst_PWM0 | - | EN_COLD_CFG | 00h |
| 4804h | nGENCFG | | | nRst_PWM3 | nRst_PWM2 | nRst_PWM1 | nRst_PWM0 | - | nEN_COLD_CFG | FFh |
| 4805h | MISCUOPT | - | - | 1 | - | LSI_EN | IWdg_HW | WWdg_HW | WWDG_HALT | 28h |
| 4806h | nMISCUOPT | - | - | 0 | - | nLSI_EN | nIWdg_HW | nWWdg_HW | nWWDG_HALT | D7h |
| 4807h | CLKCTL | | - | - | CKAWUSEL1 | EXTCLK | CKAWUSEL0 | PRSC [1:0] | | 09h |
| 4808h | nCLKCTL | | - | - | nCKAWUSEL1 | nEXTCLK | nCKAWUSEL0 | nPRSC [1:0] | | F6h |
| 4809h | HSESTAB | HSECNT [7:0] | | | | | | | | 00h |
| 480Ah | nHSESTAB | nHSECNT [7:0] | | | | | | | | FFh |
| 480Bh | RESERVED | - | | | | | | | | 00h |
| 480Ch | | | | | | | | | | FFh |
| 480Dh | WAITSTATE | - | - | - | - | - | - | WaitStat [1:0] | | 40h |
| 480Eh | nWAITSTATE | - | - | - | - | - | - | nWaitStat [1:0] | | BFh |
| 480Fh | AFR_IOMXP0 | - | - | Sel_P054 [1:0] | | Sel_P032 [1:0] | | - | | 00h |
| 4810h | nAFR_IOMXP0 | - | - | nSel_P054 [1:0] | | nSel_P032 [1:0] | | - | | FFh |
| 4811h | AFR_IOMXP1 | AUXTMR | - | | | Sel_P13 | Sel_P12 | Sel_P11 | Sel_P10 | 0Fh |
| 4812h | nAFR_IOMXP1 | nAUXTMR | - | | | nSel_P13 | nSel_P12 | nSel_P11 | nSel_P10 | F0h |
| 4813h | AFR_IOMXP2 | | 1 | | 1 | | | | - | 50h |
| 4814h | nAFR_IOMXP2 | | 0 | | 0 | | | | - | AFh |
| 4815h | MSC_OPT0 | - | - | UARTLine [1:0] | | - | - | BootSel [1:0] | | 01h |
| 4816h | nMSC_OPT0 | - | - | nUARTLine [1:0] | | - | - | nBootSel [1:0] | | FEh |

Table 40. Option byte register overview - STLUX285A (continued)

| Address | Option name | Option bits | | | | | | | | Default settings |
|---------|-------------|-------------|---|---|---|---|---|---|---|------------------|
| | | 7 | 6 | 5 | 4 | 3 | 2 | 1 | 0 | |
| 4817h | RESERVED | - | - | - | - | - | - | - | - | 00h |
| 487Dh | | | | | | | | | | |
| 487Eh | OPTBL | BL [7:0] | | | | | | | | 00h |
| 487Fh | nOPTBL | nBL [7:0] | | | | | | | | FFh |

Note: *The default setting values refer to the factory configuration. The factory configuration can be overwritten by the user in accordance with the target application requirements.*

The factory configuration values are loosed after user programming fields or in case of the ROP unprotecting attempt causing a “Global Flash Erase”.

The predefined initialized bit-values (1 or 0) must be preserved during memory writing.

An undefined option bit must be keep 0 and the complement value at 1 during the memory writing sequence.

10.2 Option byte register description

The option byte registers are mapped inside the E²PROM data region.

ROP (memory readout protection register)

Table 41. ROP (memory readout protection register)

| | | | | | | | |
|---------------------|---|---|---|---|---|---|---|
| Offset: 0x004800 | | | | | | | |
| Default value: 0x00 | | | | | | | |
| 7 | 6 | 5 | 4 | 3 | 2 | 1 | 0 |
| ROP [7:0] | | | | | | | |
| r/w | | | | | | | |

Bit 7 - 0:

ROP [7:0] memory readout protection:

0xAA: enable readout protection. When readout protection is enabled, reading or modifying the Flash program memory and DATA area in ICP mode (using the SWIM interface) is forbidden, whatever the write protection settings are.

UBC (UBC user boot code register)

Table 42. UBC (UBC user boot code register)

| | | | | | | | |
|---------------------|---|---|---|---|---|---|---|
| Offset: 0x004801 | | | | | | | |
| Default value: 0x00 | | | | | | | |
| 7 | 6 | 5 | 4 | 3 | 2 | 1 | 0 |
| UBC [7:0] | | | | | | | |
| r/w | | | | | | | |

Bit 7 - 0:

UBC [7:0] user boot code write protection memory size: 0x00: no UBC, no Flash memory write-protection

0x01: pages 0 to 1 defined as UBC; 1 Kbyte memory write-protected (0x00.8000-0x00.83FF)

0x02: pages 0 to 3 defined as UBC; 2 Kbyte memory write-protected (0x00.8000-0x00.87FF)

0x03: pages 0 to 4 defined as UBC; 2.5 Kbyte memory write-protected (0x00.8000-0x00.89FF)

... (512 byte every page)

0x3E: pages 0 to 63 defined as UBC; 32 Kbyte memory write-protected (0x00.8000-0x00.FFFF)

Other values: reserved.

nUBC (UBC user boot code register protection)**Table 43. nUBC (UBC user boot code register protection)**

| | | | | | | | |
|----------------------------|---|---|---|---|---|---|---|
| Offset: 0x004802 | | | | | | | |
| Default value: 0xFF | | | | | | | |
| 7 | 6 | 5 | 4 | 3 | 2 | 1 | 0 |
| nUBC [7:0] | | | | | | | |
| r/w | | | | | | | |

nUBC: not (UBC) EMC byte protection.

GENCFG (general configuration register)**Table 44. GENCFG (general configuration register)**

| | | | | | | | |
|----------------------------|---|---|---|---|---|------------------------|-------------|
| Offset: 0x004803 | | | | | | | |
| Default value: 0x00 | | | | | | | |
| 7 | 6 | 5 | 4 | 3 | 2 | 1 | 0 |
| Rst_PWM [5:0] | | | | | | COMP1_2 ⁽¹⁾ | EN_COLD_CFG |
| r/w | | | | | | r/w | r/w |

1. Available only on the STLUX385A and STLUX383A, otherwise keep 0.

Bit 0:

EN_COLD_CFG enables IC cold configuration through the option byte register AFR_IOMXP0, P1 and P2:

0: default case, the IC multifunction signal configuration is performed by the miscellaneous registers MSC_IOMXP0, MSC_IOMXP1 and MSC_IOMXP2 (warm configuration).

1: enables the multifunction signal configuration through the option byte registers AFR_IOMXP0, AFR_IOMXP1 and AFR_IOMXP2 (cold configuration).

Bit 1:

COMP1_2 enables the complete backward compatibility with the STLUX385 IC device.

Bit 7:2:

Rst_PWM [5:0] configures the PWM [n] reset value after the NRST signal

0: PWM [n] output low level (native default value)

1: PWM [n] output high level.

Note: *The PWM signal programmed reset value is configured during the option byte loader phase, then before the NRST is released it assumes its proper initial values.*

The Rst_PWM5 is not available only on the STLUX325A and must be kept 0.

The Rst_PWM5 and Rst_PWM4 are not available only on the STLUX325A and must be kept 0.

nGENCFG (general configuration register protection)**Table 45. nGENCFG (general configuration register protection)**

| Offset: 0x004804 | | | | | | | |
|---------------------|---|---|---|---|---|----------|--------------|
| Default value: 0xFF | | | | | | | |
| 7 | 6 | 5 | 4 | 3 | 2 | 1 | 0 |
| nRst_PWM [5:0] | | | | | | nCOMP1_2 | nEN_COLD_CFG |
| r/w | | | | | | r/w | r/w |

nGENCFG: not (GENCFG) EMC byte protection.

MISCUOPT (miscellaneous configuration register)**Table 46. MISCUOPT (miscellaneous configuration register)**

| Offset: 0x004805 | | | | | | | |
|---|---|-----|-----|--------|---------|---------|-----------|
| Default value: 0x28 (factory configuration) | | | | | | | |
| 7 | 6 | 5 | 4 | 3 | 2 | 1 | 0 |
| RFU | | RFU | RFU | LSI_EN | IWdg_hw | WWdg_hw | WWDG_HALT |
| r | | r | r | r/w | r/w | r/w | r/w |

Bit 0:

WWdg_HALT window watchdog reset on Halt: 0: no reset generated on Halt if WWDG is active 1: reset generated on Halt if WWDG is active.

Bit 1:

WWdg_hw window watchdog hardware enable: 0: window watchdog activation by SW 1: window watchdog activation by HW. Bit 2:

IWdg_hw independent watchdog hardware enable:

0: independent watchdog activation by SW 1: independent watchdog activation by HW.

Bit 3:

LSI_EN low speed internal RCOSC clock enable:

0: LSI clock is not available to CPU

1: LSI clock is enabled for CPU.

Bit 4:

RFU reserved; must be kept 0 during register writing for future compatibility.

Bit 5:

RFU reserved; must be kept 1 during register writing for future compatibility.

Bit 7 - 6:

RFU reserved; must be kept 0 during register writing for future compatibility.

nMISCUOPT (miscellaneous configuration register protection)**Table 47. nMISCUOPT (miscellaneous configuration register protection)**

| Offset: 0x004806 | | | | | | | |
|---|---|------|------|---------|----------|----------|------------|
| Default value: 0xD7 (factory configuration) | | | | | | | |
| 7 | 6 | 5 | 4 | 3 | 2 | 1 | 0 |
| nRFU | | nRFU | nRFU | nLSI_EN | nIWdg_hw | nWWdg_hw | nWWdg_HALT |
| r | | r | r | r/w | r/w | r/w | r/w |

nMISCUOPT: not (MISCUOPT) EMC byte protection.

CLKCTL (CKC configuration register)**Table 48. CLKCTL (CKC configuration register)**

| Offset: 0x004807 | | | | | | | |
|---|---|---|-----------|--------|-----------|------------|---|
| Default value: 0x09 (factory configuration) | | | | | | | |
| 7 | 6 | 5 | 4 | 3 | 2 | 1 | 0 |
| RFU | | | CKAWUSEL1 | EXTCLK | CKAWUSEL0 | PRSC [1:0] | |
| r | | | r/w | r/w | r/w | r/w | |

Bit 1 - 0:

PRSC [1:0] prescaler value for HSE to provide the AWU unit with the low speed clock:

00: 24 MHz to 128 kHz prescaler

01: 16 MHz to 128 kHz prescaler

10: 8 MHz to 128 kHz prescaler

11: 4 MHz to 128 kHz prescaler.

Bit 3:

EXTCLK external clock selection:

0: external crystal oscillator clock connected to the HseOscin and HseOscout signals

1: external direct drive clock connected to the HseOscin.

Bit 4, 2:

CKAWUSEL[1:0] AWU clock selection:

00: low speed internal clock used for AWU module

01: HSE high speed external clock with prescaler used for AWU module

10: reserved encoding value

11: reserved encoding value.

Bit 7 - 5:

RFU reserved; must be kept 0 during register writing for future compatibility.

nCLKCTL (CKC configuration register protection)

Table 49. nCLKCTL (CKC configuration register protection)

| | | | | | | | |
|--|---|---|------------|---------|------------|-------------|---|
| Offset: 0x004808 | | | | | | | |
| Default value: 0xF6 (factory configuration) | | | | | | | |
| 7 | 6 | 5 | 4 | 3 | 2 | 1 | 0 |
| nRFU | | | nCKAWUSEL1 | nEXTCLK | nCKAWUSEL0 | nPRSC [1:0] | |
| r | | | r/w | r/w | r/w | r/w | |

nCLKCTL: not (CLKCTL) EMC byte protection.

HSESTAB (HSE clock stabilization register)

Table 50. HSESTAB (HSE clock stabilization register)

| | | | | | | | |
|----------------------------|---|---|---|---|---|---|---|
| Offset: 0x004809 | | | | | | | |
| Default value: 0x00 | | | | | | | |
| 7 | 6 | 5 | 4 | 3 | 2 | 1 | 0 |
| HSECNT [7:0] | | | | | | | |
| r/w | | | | | | | |

Bit 7 - 0:

HSECNT [7:0] HSE crystal oscillator stabilization cycles:

0x00: 2048 clock cycles

0xB4: 128 clock cycles

0xD2: 8 clock cycles

0xE1: 0.5 clock cycles.

nHSESTAB (HSE clock stabilization register protection)

Table 51. nHSESTAB (HSE clock stabilization register protection)

| | | | | | | | |
|----------------------------|---|---|---|---|---|---|---|
| Offset: 0x00480A | | | | | | | |
| Default value: 0xFF | | | | | | | |
| 7 | 6 | 5 | 4 | 3 | 2 | 1 | 0 |
| nHSECNT [7:0] | | | | | | | |
| r/w | | | | | | | |

nHSESTAB: not (HSESTAB) EMC byte protection.

WAITSTATE (Flash wait state register)**Table 52. WAITSTATE (Flash wait state register)**

| Offset: 0x00480D | | | | | | | |
|---|---|---|---|---|---|----------------|---|
| Default value: 0x00 or 0x40 according to the device | | | | | | | |
| 7 | 6 | 5 | 4 | 3 | 2 | 1 | 0 |
| RFU | | | | | | WaitStat [1:0] | |
| r | | | | | | r/w | |

Bit 1 - 0:

WaitStat [1:0] configures the E²PROM and Flash programmable delay read access time:

00: 0 no delay cycle (default case f_{MASTER} at 16 MHz) 01: 1 delay cycles
 10: 2 delay cycles
 11: 3 delay cycles.

Bit 7 - 2:

RFU reserved; must be kept 0 during register writing for future compatibility.

nWAITSTATE (Flash wait state register protection)**Table 53. nWAITSTATE (Flash wait state register)**

| Offset: 0x00480E | | | | | | | |
|---|---|---|---|---|---|-----------------|---|
| Default value: 0xFF or BF according to the device | | | | | | | |
| 7 | 6 | 5 | 4 | 3 | 2 | 1 | 0 |
| nRFU | | | | | | nWaitStat [1:0] | |
| r | | | | | | r/w | |

nWAITSTATE: not (WAITSTATE) EMC byte protection.

AFR_IOMXP0 (alternative Port0 configuration register)**Table 54. AFR_IOMXP0 (alternative Port0 configuration register)**

| Offset: 0x00480F | | | | | | | |
|---------------------|---|----------------|---|----------------|---|-------------------------------|---|
| Default value: 0x00 | | | | | | | |
| 7 | 6 | 5 | 4 | 3 | 2 | 1 | 0 |
| RFU | | Sel_P054 [1:0] | | Sel_P032 [1:0] | | Sel_P010 [1:0] ⁽¹⁾ | |
| r | | r/w | | r/w | | r/w | |

1. Available only on the STLUX385A and STLUX383A, otherwise keep 0.

Bit 5 - 0:

Refer to MSC_IOMXP0 miscellaneous register field description [Section 8.2 on page 46](#).

Bit 7 - 6:

RFU reserved; must be kept 0 during register writing for future compatibility.

nAFR_IOMXP0 (alternative Port0 configuration register protection)**Table 55. nAFR_IOMXP0 (alternative Port0 configuration register protection)**

| Offset: 0x004810 | | | | | | | |
|---------------------|---|-----------------|---|-----------------|---|-----------------|---|
| Default value: 0xFF | | | | | | | |
| 7 | 6 | 5 | 4 | 3 | 2 | 1 | 0 |
| nRFU | | nSel_P054 [1:0] | | nSel_P032 [1:0] | | nSel_P010 [1:0] | |
| r | | r/w | | r/w | | r/w | |

nAFR_IOMXP0: not (AFR_IOMXP0) EMC byte protection.

AFR_IOMUXP1 (alternative Port1 configuration register)**Table 56. AFR_IOMUXP1 (alternative Port1 configuration register)**

| Offset: 0x004811 | | | | | | | |
|---|-----|------------------------|------------------------|---------|---------|---------|---------|
| Default value: 0x00 or 0x3F or 0x1F or 0x0F according to the device | | | | | | | |
| 7 | 6 | 5 | 4 | 3 | 2 | 1 | 0 |
| AUXTMR | RFU | Sel_P15 ⁽¹⁾ | Sel_P14 ⁽²⁾ | Sel_P13 | Sel_P12 | Sel_P11 | Sel_P10 |
| r/w | r | r/w | r/w | r/w | r/w | r/w | r/w |

1. Available only on the STLUX385A and STLUX383A, otherwise keep 0.

2. Available only on the STLUX385A, STLUX383A and STLUX325A, otherwise keep 0.

Bit 5 - 0:

Refer to MSC_IOMUXP1 miscellaneous register field description [Section 8.2.3 on page 47](#).

Bit 6:

RFU reserved; must be kept 0 during register writing for future product compatibility.

Bit 7:

AUXTIM CCO aux timer compatibility features

0: CCO aux timer enabled

1: CCO aux timer disabled.

nAFR_IOMUXP1 (alternative Port1 configuration register protection)**Table 57. nAFR_IOMUXP1 (alternative Port1 configuration register protection)**

| Offset: 0x004812 | | | | | | | |
|--|------|----------|----------|----------|----------|----------|----------|
| Default value: 0xFF or 0xC0 or 0xE0 or 0xF0 depends on devices | | | | | | | |
| 7 | 6 | 5 | 4 | 3 | 2 | 1 | 0 |
| nAUXTMR | nRFU | nSel_P15 | nSel_P14 | nSel_P13 | nSel_P12 | nSel_P11 | nSel_P10 |
| r/w | r | r/w | r/w | r/w | r/w | r/w | r/w |

nAFR_IOMUXP1: not (AFR_IOMUXP1) EMC byte protection.

AFR_IOMUXP2 (alternative Port2 configuration register)**Table 58. AFR_IOMUXP2 (alternative Port2 configuration register)**

| Offset: 0x004813 | | | | | | | |
|---|-----|---|-------------------------|-----|-----|-----|-----|
| Default value: 0x10 or 0x50 according to the device | | | | | | | |
| 7 | 6 | 5 | 4 | 3 | 2 | 1 | 0 |
| Sel_SWIM ⁽¹⁾ | RFU | | Sel_P254 ⁽²⁾ | RFU | RFU | RFU | RFU |
| r/w | r | | r/w | r | r | r | r |

1. Available only on the STLUX325A, otherwise keep 0.

2. Not available on the STLUX285A, must be kept to 1.

Bit 3 - 0:

RFU reserved; must be kept 0 during register writing for future product compatibility

Bit 4:

Refer to MSC_IOMUXP2 miscellaneous register field description [Section 7.4 on page 39](#).

Bit 6 - 5:

RFU reserved; must be kept 0 during register writing for future product compatibility. On STLUX285A devices bit 6 must be kept to 1.

Bit 7:

Refer to MSC_IOMUXP2 miscellaneous register field description [Section 7.4](#)

nAFR_IOMUXP2 (alternative Port2 configuration register protection)**Table 59. nAFR_IOMUXP2 (alternative Port2 configuration register protection)**

| Offset: 0x004814 | | | | | | | |
|---|------|---|-----------|------|------|------|------|
| Default value: 0xEF or 0xAF according to the device | | | | | | | |
| 7 | 6 | 5 | 4 | 3 | 2 | 1 | 0 |
| nSel_SWIM | nRFU | | nSel_P254 | nRFU | nRFU | nRFU | nRFU |
| r/w | r | | r/w | r | r | r | r |

nAFR_IOMUXP2: not (AFR_IOMUXP2) EMC byte protection.

MSC_OPT0 (miscellaneous configuration reg0)**Table 60. MSC_OPT0 (miscellaneous configuration reg0)**

| Offset: 0x004815 | | | | | | | |
|---------------------|---|----------------|---|-----|---|---------------|---|
| Default value: 0x01 | | | | | | | |
| 7 | 6 | 5 | 4 | 3 | 2 | 1 | 0 |
| RFU | | UARTline [1:0] | | RFU | | BootSel [1:0] | |
| r | | r/w | | r | | r/w | |

Bit 1 - 0:

BootSel [1:0] boot-ROM peripheral enables:

00: automatic scan boot sources; this selection enables the automatic scan configuration sequence of all possible initializing peripheral devices: Periph0 (UART), Periph1 (RFU).

01: enable boot source: Periph0 10: enable boot source: Periph1

11: enable boot sources: Periph1, Periph0

Bit 3 - 2:

RFU reserved; must be kept 0 during register writing for future compatibility.

Bit 5 - 4:

UARTline [1:0] selects the UART port configuration pins involved during the bootload sequence in warm configuration mode; in case of cold configuration, this field is ignored since the UART port is selected by the register AFR_IOXP0.

00: boot sequence with the UART i/f configured in all possible UART multiplexed signal schemes. This sequence is used when UART i/f position is not specified.

01: boot sequence with UART i/f configured on P0 (1, 0) 10: boot sequence with UART i/f configured on P0 (3, 2) 11: boot sequence with UART i/f configured on P0 (5, 4).

Bit 7 - 6:

RFU reserved; must be kept 0 during register writing for future compatibility.

nMSC_OPT0 (miscellaneous configuration reg0 protection)**Table 61. nMSC_OPT0 (miscellaneous configuration reg0 protection)**

| Offset: 0x004816 | | | | | | | |
|---------------------|---|-----------------|---|------|---|----------------|---|
| Default value: 0xFE | | | | | | | |
| 7 | 6 | 5 | 4 | 3 | 2 | 1 | 0 |
| nRFU | | nUARTline [1:0] | | nRFU | | nBootSel [1:0] | |
| r | | r/w | | r | | r/w | |

nMSC_OPT0: not (MSC_OPT0) EMC byte protection.

OPTBL (option byte bootloader)

Table 62. OPTBL (option byte bootloader)

| | | | | | | | |
|----------------------------|---|---|---|---|---|---|---|
| Offset: 0x00487E | | | | | | | |
| Default value: 0x00 | | | | | | | |
| 7 | 6 | 5 | 4 | 3 | 2 | 1 | 0 |
| BL [7:0] | | | | | | | |
| r/w | | | | | | | |

Bit 7 - 0:

BL [7:0] the bootloader field checked by the internal BootROM code during the STLUX initialization phase. The content of register locations 0x00487E, 0x00487F and 0x008000 determine the bootloader SW flow execution sequence.

nOPTBL (option byte boot loader protection)

Table 63. nOPTBL (option byte boot loader protection)

| | | | | | | | |
|----------------------------|---|---|---|---|---|---|---|
| Offset: 0x00487F | | | | | | | |
| Default value: 0xFF | | | | | | | |
| 7 | 6 | 5 | 4 | 3 | 2 | 1 | 0 |
| nBL [7:0] | | | | | | | |
| r/w | | | | | | | |

nOPTBL: not (OPTBL) EMC byte protection.

11 Device identification

11.1 Unique ID

The STLUX family provides a 56-bit unique identifier code usable as a device identification number which can be used to increase the device security. The unique ID code is a frozen signature not alterable by user.

The unique device identifier is ideally used by the application software and is suited for:

- Serial code
- Security keys in conjunction with cryptographic software to increase the embedded Flash code security
- Activating the secure boot sequence.

Table 64. Unique ID register overview

| Address | Option name | Unique ID bits | | | | | | | |
|---------|-------------|----------------|---|---|---|----------------|---|---|---|
| | | 7 | 6 | 5 | 4 | 3 | 2 | 1 | 0 |
| 48E0h | UID0 | LotNum [7:0] | | | | | | | |
| 48E1h | UID1 | LotNum [15:8] | | | | | | | |
| 48E2h | UID2 | LotNum [23:16] | | | | | | | |
| 48E3h | UID3 | WaferNum [4:0] | | | | Xcoord [7:5] | | | |
| 48E4h | UID4 | Xcoord [4:0] | | | | Ycoord [7:5] | | | |
| 48E5h | UID5 | Ycoord [4:0] | | | | LotNum [42:40] | | | |
| 48E6h | UID6 | LotNum [31:24] | | | | | | | |
| 48E7h | UID7 | LotNum [39:32] | | | | | | | |

11.2 Device ID

The STLUX family identification model is coded in the following register area and it cannot be altered by the user.

Table 65. Dev ID register overview

| Address | Option name | Dev ID bits | | | | | | | | Default settings |
|---------|-------------|--------------|---|---|---|---------------|---|---|---|------------------|
| | | 7 | 6 | 5 | 4 | 3 | 2 | 1 | 0 | |
| 4896h | DVD0 | DEV_ID[7:0] | | | | | | | | (1) |
| 4897h | nDVD0 | nDEV_ID[7:0] | | | | | | | | (1) |
| 4898h | DVD1 | RFU | | | | Rev_ID [4:0] | | | | (1) |
| 4899h | nDVD1 | nRFU | | | | nRev_ID [4:0] | | | | (1) |

1. See [Table 66](#).

The RFU and nRFU value are reserved and the value may be changed within devices.

Table 66. Device revision model overview

| STLUX device revision model | | |
|-----------------------------|-------------|-------------|
| DEV_ID[7:0] | Rev_ID[4:0] | Device name |
| 0x00 | 0b00000 | STLUX385 |
| 0x00 | 0b00001 | STLUX385A |
| 0x10 | 0b00001 | STLUX325A |
| 0x02 | 0b00001 | STLUX383A |
| 0x20 | 0b00001 | STLUX285A |

Note: The mask DVD1 and nDVD1 register with 0x1F when read the Rev_ID [4:0] field.

12 Electrical characteristics

12.1 Parameter conditions

Unless otherwise specified, all voltages are referred to V_{SS} . V_{DDA} and V_{DD} must be connected to the same voltage value. V_{SS} and V_{SSA} must be connected together with the shortest wire loop.

12.1.1 Minimum and maximum values

Unless otherwise specified, the minimum and maximum values are guaranteed in the worst conditions of ambient temperature, supply voltage and frequencies by tests in production on 100% of the devices with an ambient temperature at $T_A = 25\text{ °C}$ and $T_A = T_A \text{ max.}$ (given by the selected temperature range).

Data based on characterization results, design simulation and/or technology characteristics are indicated according to each table specific notes and are not tested in production.

12.1.2 Typical values

Unless otherwise specified, typical data are based on $T_A = 25\text{ °C}$, V_{DD} and $V_{DDA} = 3.3\text{ V}$. They are given only as design guidelines and are not tested. Typical ADC accuracy values are determined by characterization of a batch of samples from a standard diffusion lot over the full temperature range.

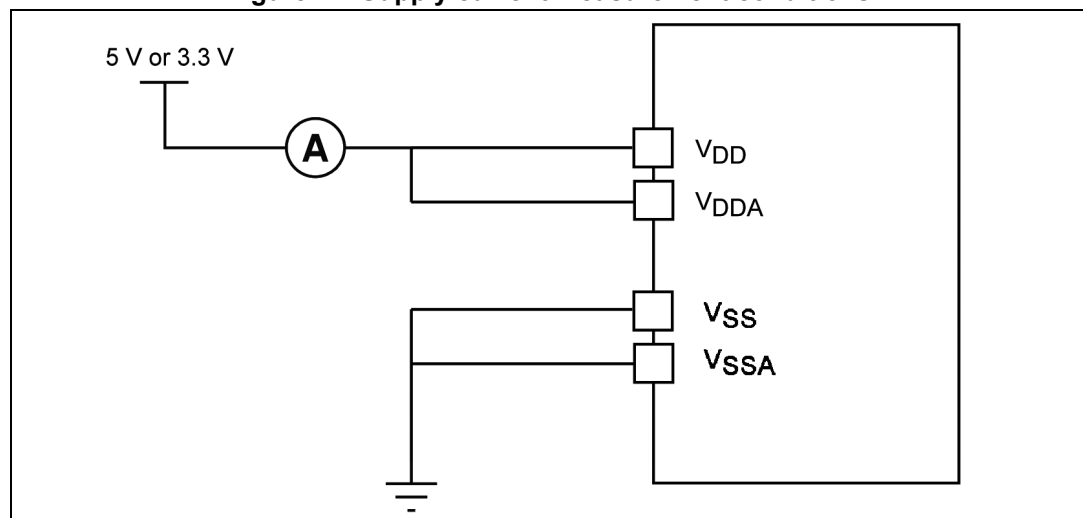
12.1.3 Typical curves

Unless otherwise specified, all typical curves are given as design guidelines only and are not tested.

12.1.4 Typical current consumption

For typical current consumption measurements, V_{DD} and V_{DDA} are connected together as shown in [Figure 12](#).

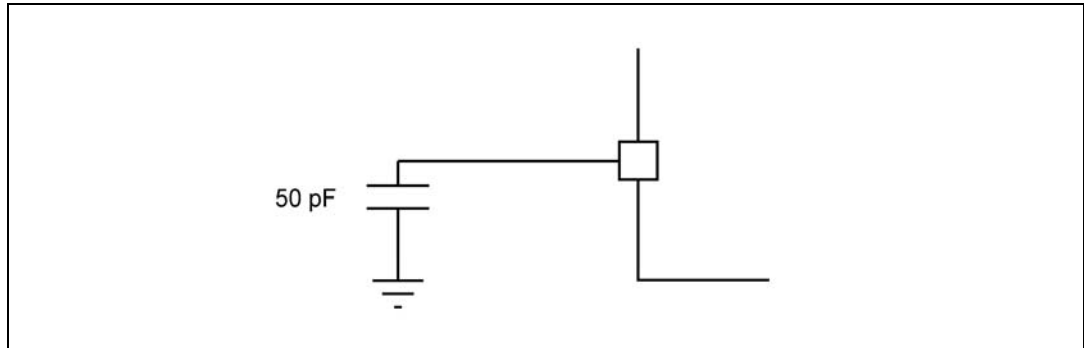
Figure 12. Supply current measurement conditions



12.1.5 Loading capacitors

The loading conditions used for pin parameter measurement are shown in [Figure 13](#):

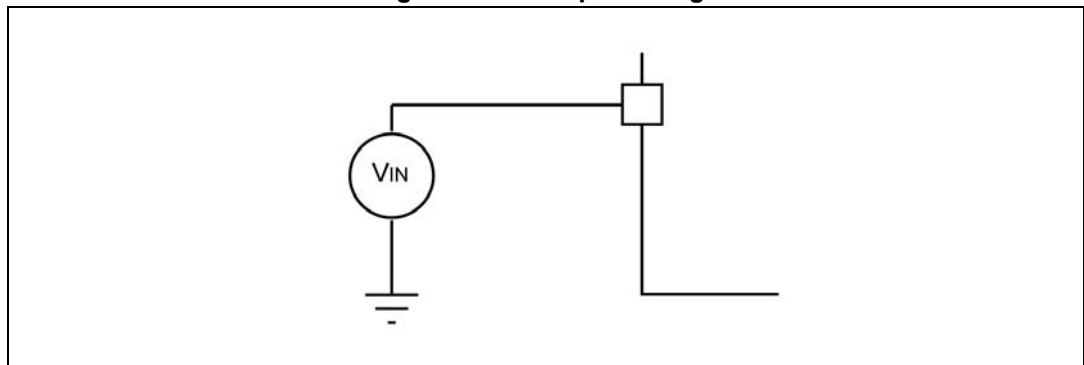
Figure 13. Pin loading conditions



12.1.6 Pin output voltage

The input voltage measurement on a pin is described in [Figure 14](#).

Figure 14. Pin input voltage



12.2 Absolute maximum ratings

Stresses above those listed as 'absolute maximum ratings' may cause permanent damage to the device. This is a stress rating only and functional operation of the device under these conditions is not implied. Exposure to maximum rating conditions for extended periods may affect the device reliability.

Table 67. Voltage characteristics

| Symbol | Ratings | Min. | Max. | Unit |
|---------------------|--|---|----------------|------|
| $V_{DDX} - V_{SSX}$ | Supply voltage ⁽¹⁾ | -0.3 | 6.5 | V |
| V_{IN} | Input voltage on any other pin ⁽²⁾ | $V_{SS} - 0.3$ | $V_{DD} + 0.3$ | |
| $V_{DD} - V_{DDA}$ | Variation between different power pins | | 50 | mV |
| $V_{SS} - V_{SSA}$ | Variation between all the different ground pins ⁽³⁾ | | 50 | |
| V_{ESD} | Electrostatic discharge voltage | Refer to absolute maximum ratings (electrical sensitivity) in Section 11.4.1 on page 93 | | |

1. All power V_{DDX} (V_{DD} , V_{DDA}) and ground V_{SSX} (V_{SS} , V_{SSA}) pins must always be connected to the external power supply.
2. $I_{INJ(PIN)}$ must never be exceeded. This is implicitly insured if V_{IN} maximum is respected. If V_{IN} maximum cannot be respected, the injection current must be limited externally to the $I_{INJ(PIN)}$ value. A positive injection is induced by $V_{IN} > V_{DD}$ while a negative injection is induced by $V_{IN} < V_{SS}$.
3. V_{SS} and V_{SSA} signals must be interconnected together with a short wire loop.

Table 68. Current characteristics

| Symbol | Ratings | Max. ⁽¹⁾ | Unit |
|--------------------------------|---|--|------|
| I_{VDDX} | Total current into V_{DDX} power lines ⁽²⁾ | 100 | mA |
| I_{VSSX} | Total current out of V_{SSX} power lines ⁽²⁾ | 100 | |
| I_{IO} | Output current sunk by any I/Os and control pin | Ref. to Table 82 on page 100 | |
| | Output current source by any I/Os and control pin | | |
| $I_{INJ(PIN)}^{(3), (4)}$ | Injected current on any pin | ±4 | |
| $I_{INJ(TOT)}^{(3), (4), (5)}$ | Sum of injected currents | ±20 | |

1. Data based on characterization results, not tested in production.
2. All power V_{DDX} (V_{DD} , V_{DDA}) and ground V_{SSX} (V_{SS} , V_{SSA}) pins must always be connected to the external power supply.
3. $I_{INJ(PIN)}$ must never be exceeded. This is implicitly insured if V_{IN} maximum is respected. If V_{IN} maximum cannot be respected, the injection current must be limited externally to the $I_{INJ(PIN)}$ value. A positive injection is induced by $V_{IN} > V_{DD}$ while a negative injection is induced by $V_{IN} < V_{SS}$.
4. Negative injection disturbs the analog performance of the device.
5. When several inputs are submitted to a current injection, the maximum $\Sigma I_{INJ(PIN)}$ is the absolute sum of the positive and negative injected currents (instantaneous values). These results are based on characterization with $\Sigma I_{INJ(PIN)}$ maximum current injection on four I/O port pins of the device.

Table 69. Thermal characteristics

| Symbol | Ratings | Max. | Unit |
|------------------|------------------------------|------------|------|
| T _{STG} | Storage temperature range | -65 to 150 | °C |
| T _J | Maximum junction temperature | 150 | |

12.3 Operating conditions

The device must be used in operating conditions that respect the parameters listed in [Table 70](#). In addition, a full account must be taken for all physical capacitor characteristics and tolerances.

Table 70. General operating conditions

| Symbol | Parameter | Conditions | Min. | Typ. | Max. | Unit |
|--------------------------------------|---|-------------------------------|--------------------|--------------------|--------------------|------|
| f _{CPU} | Internal CPU clock frequency | -40 ≤ T _A ≤ 105 °C | 0 | | 16 | MHz |
| V _{DD1} , V _{DDA1} | Operating voltages | | 3 ⁽¹⁾ | | 5.5 ⁽¹⁾ | V |
| V _{DD} , V _{DDA} | Nominal operating voltages | | 3.3 ⁽¹⁾ | | 5 ⁽¹⁾ | |
| V _{OUT} | Core digital power supply | | | 1.8 ⁽²⁾ | | |
| | CVOUT: capacitance of external capacitor ⁽³⁾ | at 1 MHz | 470 | | 3300 | nF |
| | ESR of external capacitor ⁽²⁾ | | 0.05 | | 0.2 | Ω |
| | ESL of external capacitor ⁽²⁾ | | | | 15 | nH |
| Θ _{JA} ⁽⁴⁾ | FR4 multilayer PCB | TSSOP38 TSSOP28 | | 80 | | °C/W |
| | | VFQFPN32 | | 26 | | |
| T _A | Ambient temperature | P _d = 100 mW | -40 | | 105 | °C |

1. The external power supply can be within range from 3 V up to 5.5 V although IC performances are optimized for a power supply equal to 3.3 V.
2. Internal core power supply voltage.
3. Care should be taken when the capacitor is selected due to its tolerance, its dependency on temperature, DC bias and frequency.
4. To calculate P_{Dmax} (T_A), use the formula P_{Dmax} = (T_{Jmax} - T_A)/Θ_{JA}.

Table 71. Operating conditions at power-up/power-down

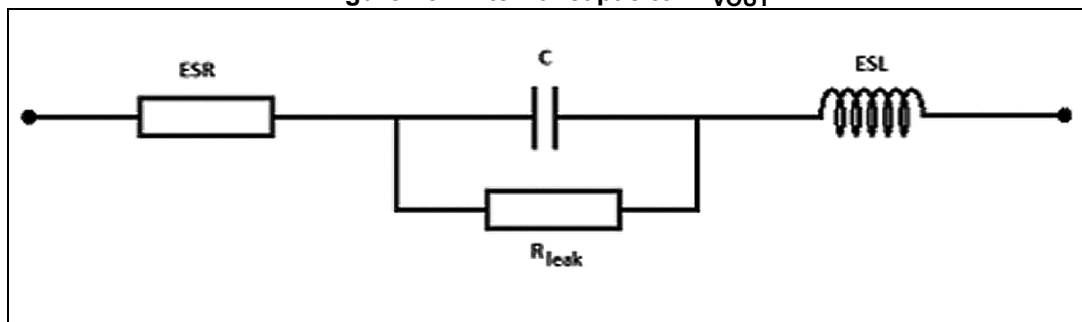
| Symbol | Parameter | Conditions | Min. ⁽¹⁾ | Typ. | Max. ⁽¹⁾ | Unit |
|-----------------------|--------------------------------|------------------------|---------------------|------|-------------------------|------|
| t _{VDD} | V _{DD} rise time rate | | 2 μs/V | | 1 sec./V ⁽²⁾ | |
| | V _{DD} fall time rate | | 2 μs/V | | 1 sec./V ⁽²⁾ | |
| t _{TEMP} | Reset release delay | V _{DD} rising | | 3 | | ms |
| V _{IT+} | Power-on reset threshold | | 2.65 | 2.8 | 2.98 | V |
| V _{IT-} | Brownout reset threshold | | 2.58 | 2.73 | 2.88 | |
| V _{HYS(BOR)} | Brownout reset hysteresis | | | 70 | | mV |

1. Guaranteed by design, not tested in production.
2. Power supply ramp must be monotone.

12.3.1 VOUT external capacitor

The stabilization of the main regulator is achieved by connecting an external capacitor C_{VOUT}^(c) to the VOUT pin. The C_{VOUT} is specified in [Section 12.3: Operating conditions](#). Care should be taken to limit the series inductance to less than 15 nH.

Figure 15. External capacitor C_{VOUT}



12.3.2 Supply current characteristics

The STLUX supply current is calculated by summing the supply base current in the desired operating mode as per [Table 72](#), with the peripheral supply current value reported in [Table 74 on page 90](#) and [Table 75 on page 92](#).

For example, considering an application where:

- f_{MASTER} = f_{CPU} = 16 MHz provided by HSI internal RC oscillator
- CPU code execution in Flash
- All base peripheral actives: I²C, UART, DALI, ITC, GPIO0, SysTmrWWDG and IWDG
- ADC conversion frequency f_{ADC} = 5.3 MHz
- ACU (comparator and DAC units) active
- 6 PWM toggling at f_{PWM} = 0.5 MHz provided by 6 SMEDs running at f_{SMED} = 12 MHz (N_{PWM} = 6).

c. ESR is the equivalent series resistance and ESL is the equivalent inductance.

The total current consumption is given by [Equation 1](#):

Equation 1

$$I_{DD} = I_{DD(\text{Run2})} + I_{DD(\text{ADC2})} + I_{DD(\text{ACU})} + I_{DD(\text{PLL})} + I_{DD(\text{PWM})}$$

where $I_{DD(\text{PWM})} = I_{DD(\text{PWM1})} \cdot N_{\text{PWM}}$

More generally, the PWM current consumption has to be individually evaluated for each f_{SMED} clock grouping, using [Equation 2](#).

Equation 2

$$I_{DD(\text{PWM})} = \sum_{i=1}^{N_{f_{\text{SMED}}}} \{ I_{DD[\text{PWM}(i)]} \cdot N_i \}$$

where $i = f_{\text{SMED}}$ clock group index; $N_i = \text{PWM number of the } i\text{-th clock group}$;

$N_{f_{\text{SMED}}} = f_{\text{SMED}}$ clock group number.

IC supply base current consumption

Table 72 summarizes the current consumption measured on V_{DD}/V_{DDA} supply pins in relevant operative conditions.

Table 72. Supply base current consumption at V_{DD}/V_{DDA} = 3.3/5 V

| Symbol | Code | Clock | | | Peripheral | Consumption ⁽¹⁾ | | Note |
|-------------------------|-----------|---------------------|-------|------------------|------------|----------------------------|---------------------|---|
| | | f _{MASTER} | | f _{CPU} | | Periph ^{(2), (3)} | Typ. ⁽⁴⁾ | |
| Op. mode | Code area | Source | MHz | MHz | Enb/Dis | | mA | mA |
| I _{DD} (Run1) | Flash | HSI | 2 | 2 | All | 2.3 | 2.77 | Reset exit condition |
| I _{DD} (Run2) | Flash | HSI | 16 | 16 | All | 9.4 | 11.3 | |
| I _{DD} (Run3) | RAM | HSI | 16 | 16 | All | 4.2 | 5.1 | |
| I _{DD} (Run4) | Flash | HSE ⁽⁵⁾ | 16 | 16 | All | 10.0 | 12.1 | V _{DD} /V _{DDA} = 3.3 V |
| | | | | | | 10.6 | 12.74 | V _{DD} /V _{DDA} = 5 V |
| I _{DD} (Run5) | RAM | HSE ⁽⁵⁾ | 16 | 16 | All | 4.6 | 5.53 | V _{DD} /V _{DDA} = 3.3 V |
| | | | | | | 5.2 | 6.63 | V _{DD} /V _{DDA} = 5 V |
| I _{DD} (SLOW1) | Flash | HSI | 16 | 2 | All | 3.6 | 4.33 | |
| I _{DD} (SLOW2) | RAM | HSI | 16 | 2 | All | 2.9 | 3.5 | |
| I _{DD} (SLOW3) | Flash | HSE ⁽⁵⁾ | 16 | 2 | All | 3.9 | 4.7 | V _{DD} /V _{DDA} = 3.3 V |
| | | | | | | 4.5 | 5.5 | V _{DD} /V _{DDA} = 5 V |
| I _{DD} (SLOW4) | Flash | HSI | 16 | 0.125 | All | 2.7 | 3.3 | |
| I _{DD} (SLOW5) | Flash | HSE ⁽⁵⁾ | 16 | 0.125 | All | 3.0 | 3.7 | V _{DD} /V _{DDA} = 3.3 V |
| | | | | | | 3.6 | 4.4 | V _{DD} /V _{DDA} = 5 V |
| I _{DD} (SLOW6) | Flash | LSI | 0.153 | 0.153 | All | 1.5 | 1.9 | |
| I _{DD} (WFI1) | Flash | HSI | 16 | 16 | All | 2.6 | 3.2 | |
| I _{DD} (WFI2) | Flash | HSE ⁽⁵⁾ | 16 | 16 | All | 3.1 | 3.8 | V _{DD} /V _{DDA} = 3.3 V |
| | | | | | | 3.8 | 5.6 | V _{DD} /V _{DDA} = 5 V |

1. Data based on characterization results not tested in production.
2. "All" means: I²C, UART, DALI, ITC, GPIO0, SysTmr, WWDOG and IWDG peripherals active.
3. The peripheral current consumption is supplied by the V_{CORE} voltage (1.8 V).
4. Temperature operating: T_A = 25 °C.
5. HSE frequency provided by external quartz.

IC low power current consumption

Table 73 summarizes the current consumption measured on V_{DD}/V_{DDA} supply pins in power saving conditions.

Table 73. Supply low power consumption at $V_{DD}/V_{DDA} = 3.3/5$ V

| Symbol | Code | Clock | | Peripheral | | Consumption ⁽¹⁾ | | Note |
|------------------------------|-----------|--------------------------|-----|------------------------------------|------------------------|----------------------------|--------------------------|--------------------------|
| Op. mode ^{(2), (3)} | Code area | f_{MASTER} | | E ² PROM ⁽⁴⁾ | MVRreg. ⁽⁵⁾ | Typ. ^{(6), (7)} | Max. ^{(8), (7)} | Description |
| | | Source | MHz | Enable | Enable | mA | mA | |
| $I_{DD}(AHLT1)$ | Flash | HSI | 16 | Enable | Enable | 0.23 | 0.32 | AWU clocked by LSI |
| $I_{DD}(AHLT2)$ | Flash | HSI | 16 | Enable | Disable | 0.085 | 0.12 | AWU clocked by LSI |
| $I_{DD}(AHLT3)$ | Flash | HSE ^{(9), (10)} | 16 | Enable | Enable | 0.73 | 0.90 | $V_{DD}/V_{DDA} = 3.3$ V |
| | | | | | | 1.4 | 1.7 | $V_{DD}/V_{DDA} = 5$ V |
| $I_{DD}(AHLT4)$ | Flash | HSE ^{(9), (10)} | 16 | Enable | Disable | 0.65 | 0.95 | $V_{DD}/V_{DDA} = 3.3$ V |
| | | | | | | 1.2 | 1.45 | $V_{DD}/V_{DDA} = 5$ V |
| $I_{DD}(HLT1)$ | Flash | HSI | 16 | Enable | Disable | 0.087 | 0.13 | |
| $I_{DD}(HLT2)$ | Flash | HSE ^{(9), (10)} | 16 | Enable | Disable | 0.075 | 0.11 | $V_{DD}/V_{DDA} = 3.3$ V |
| | | | | | | 0.090 | 0.15 | $V_{DD}/V_{DDA} = 5$ V |

1. Data based on characterization results not tested in production.
2. Active halt op. mode: all peripherals except AWU and IWDG are disabled (clock gated).
3. HALT op. mode: all peripherals are disabled (clock gated).
4. E²PROM is considered always enabled.
5. .VCORE main DC voltage regulator.
6. Temperature operating: $T_A = 25$ °C.
7. All the analog input signals are connected to GND; the signals of the port P0, P1 and P2 are configured as input with the pull-up enabled.
8. Temperature operating: $T_A = 105$ °C.
9. HSE frequency provided by external quartz.
10. AWU clocked by HSE source clock.

IC peripheral current consumption (3.3 V)

Table 74 summarizes the peripheral current consumption measured on V_{DD}/V_{DDA} supply pins.

Table 74. Peripheral supply current consumption at V_{DD}/V_{DDA} = 3.3 V

| Symbol | Clock | | | | Peripherals | | | Consumption ⁽¹⁾ | |
|-----------------------------|----------------|---|--|--|-------------------------------|-------------------------------|-------------------------------|----------------------------|---------------------------|
| | PLL Enb/Dis | f _{SMED} ⁽²⁾ MHz | f _{PWM} ⁽³⁾ MHz | f _{ADC} ⁽⁴⁾ MHz | ADC ⁽⁵⁾ Enb/Dis | PWM ^{(6),(7)} Num | ACU ⁽⁸⁾ Enb/Dis | Typ. ⁽⁹⁾ mA | Max. ⁽⁹⁾ mA |
| I _{DD} (PLL) | Enab | 0 | 0 | 0 | Disab | 0 | Disab | 2.3 | 2.7 |
| I _{DD} (ACU) | Disab | 0 | 0 | 0 | Disab | 0 | Enab | 1.9 | 2.3 |
| I _{DD} (PWM1PLL96) | Enab | 96 | 0.5 | 0 | Disab | 1 | Disab | 1.8 | 2.1 |
| I _{DD} (PWM4PLL96) | | | | | | 4 | | 6.69 | 8.32 |
| I _{DD} (PWM5PLL96) | | | | | | 5 | | 8.55 | 10.4 |
| I _{DD} (PWM6PLL96) | | | | | | 6 | | 10.12 | 12.2 |
| I _{DD} (PWM1PLL48) | Enab | 48 | 0.5 | 0 | Disab | 1 | Disab | 1.12 | 1.4 |
| I _{DD} (PWM4PLL48) | | | | | | 4 | | 4.31 | 5.31 |
| I _{DD} (PWM5PLL48) | | | | | | 5 | | 5.6 | 6.8 |
| I _{DD} (PWM6PLL48) | | | | | | 6 | | 6.54 | 7.85 |
| I _{DD} (PWM1PLL24) | Enab | 24 | 0.5 | 0 | Disab | 1 | Disab | 0.71 | 0.9 |
| I _{DD} (PWM4PLL24) | | | | | | 4 | | 2.89 | 3.54 |
| I _{DD} (PWM5PLL24) | | | | | | 5 | | 3.9 | 4.7 |
| I _{DD} (PWM6PLL24) | | | | | | 6 | | 4.39 | 5.27 |
| I _{DD} (PWM1PLL12) | Enab | 12 | 0.5 | 0 | Disab | 1 | Disab | 0.6 | 0.7 |
| I _{DD} (PWM4PLL12) | | | | | | 4 | | 2.2 | 2.69 |
| I _{DD} (PWM5PLL12) | | | | | | 5 | | 2.95 | 3.6 |
| I _{DD} (PWM6PLL12) | | | | | | 6 | | 3.33 | 4 |
| I _{DD} (PWM1PLL6) | Enab | 6 | 0.5 | 0 | Disab | 1 | Disab | 0.5 | 0.6 |
| I _{DD} (PWM4PLL6) | | | | | | 4 | | 1.85 | 2.26 |
| I _{DD} (PWM5PLL6) | | | | | | 5 | | 2.6 | 3.2 |
| I _{DD} (PWM6PLL6) | | | | | | 6 | | 2.81 | 3.4 |
| I _{DD} (PWM1HSI16) | Enab | 16 | 0.5 | 0 | Disab | 1 | Disab | 0.5 | 0.6 |
| I _{DD} (PWM4HSI16) | | | | | | 4 | | 1.79 | 2.19 |
| I _{DD} (PWM5HSI16) | | | | | | 5 | | 2.3 | 3 |
| I _{DD} (PWM6HSI16) | | | | | | 6 | | 2.63 | 3.3 |

Table 74. Peripheral supply current consumption at $V_{DD}/V_{DDA} = 3.3\text{ V}$ (continued)

| Symbol | Clock | | | | Peripherals | | | Consumption ⁽¹⁾ | |
|--------------------|-------|---|-----|-----|-------------|---|-------|----------------------------|------|
| $I_{DD}(PWM1HSI8)$ | Enab | 8 | 0.5 | 0 | Disab | 1 | Disab | 0.4 | 0.5 |
| $I_{DD}(PWM4HSI8)$ | | | | | | 4 | | 1.39 | 1.7 |
| $I_{DD}(PWM5HSI8)$ | | | | | | 5 | | 1.95 | 2.4 |
| $I_{DD}(PWM6HSI8)$ | | | | | | 6 | | 2.12 | 2.55 |
| $I_{DD}(PWM1HSI4)$ | Enab | 4 | 0.5 | 0 | Disab | 1 | Disab | 0.3 | 0.4 |
| $I_{DD}(PWM4HSI4)$ | | | | | | 4 | | 1.21 | 1.48 |
| $I_{DD}(PWM5HSI4)$ | | | | | | 5 | | 1.7 | 2.2 |
| $I_{DD}(PWM6HSI4)$ | | | | | | 6 | | 1.78 | 2.2 |
| $I_{DD}(PWM1HSI2)$ | Enab | 2 | 0.5 | 0 | Disab | 1 | Disab | 0.25 | 0.3 |
| $I_{DD}(PWM4HSI2)$ | | | | | | 4 | | 1.07 | 1.31 |
| $I_{DD}(PWM5HSI2)$ | | | | | | 5 | | 1.52 | 1.9 |
| $I_{DD}(PWM6HSI2)$ | | | | | | 6 | | 1.60 | 1.93 |
| $I_{DD}(ADC1)$ | Disab | 0 | 0 | 1 | Enab | 0 | Disab | 1.55 | 1.87 |
| $I_{DD}(ADC2)$ | Disab | 0 | 0 | 5.3 | Enab | 0 | Disab | 1.6 | 1.95 |
| $I_{DD}(ADC3)$ | Enab | 0 | 0 | 6 | Enab | 0 | Disab | 1.56 | 1.88 |

1. Data based on characterization results not tested in production.
2. SMED frequency:
 - 96 MHz and 6 MHz frequencies require the PLL enabled.
 - Current table shows only a subset value of possible SMED frequencies.
3. PWM frequency:
 - PWM toggle frequency is considered fixed to 500 kHz, close to the maximum applicative value.
4. 3.ADC frequency:
 - 6 MHz frequency requires the PLL enabled.
 - Current table shows only a subset value of possible ADC frequencies.
5. ADC configured in circular mode.
6. PWM pins are loaded with a CL (load capacitance) of 50 pF.
7. Number of active PWMs.
8. If enabled all DACs and comparator units are active.
9. Temperature operating: $T_A = 25\text{ }^\circ\text{C}$.

IC peripheral current consumption (5 V)

Table 75 summarizes the peripheral current consumption measured on V_{DD}/V_{DDA} supply pins.

Table 75. Peripheral supply current consumption at V_{DD}/V_{DDA} = 5 V

| Symbol | Clock | | | | Peripherals | | | Consumption ⁽¹⁾ | |
|-----------------------------|---------|----------------------------------|---------------------------------|---------------------------------|--------------------|-------------------------|--------------------|----------------------------|---------------------|
| | PLL | f _{SMED} ⁽²⁾ | f _{PWM} ⁽³⁾ | f _{ADC} ⁽⁴⁾ | ADC ⁽⁵⁾ | PWM ^{(6), (7)} | ACU ⁽⁸⁾ | Typ. ⁽⁹⁾ | Max. ⁽⁹⁾ |
| Op. mode | Enb/Dis | MHz | MHz | MHz | Enb/Dis | Num | Enb/Dis | mA | mA |
| I _{DD} (PLL) | Enab | 0 | 0 | 0 | Disab | 0 | Disab | 2.32 | 2.78 |
| I _{DD} (ACU) | Disab | 0 | 0 | 0 | Disab | 0 | Enab | 2.22 | 2.66 |
| I _{DD} (PWM1PLL96) | Enab | 96 | 0.5 | 0 | Disab | 1 | Disab | 1.81 | 2.17 |
| I _{DD} (PWM4PLL96) | | | | | | 4 | | 6.98 | 8.69 |
| I _{DD} (PWM5PLL96) | | | | | | 5 | | 9.0 | 10.8 |
| I _{DD} (PWM6PLL96) | | | | | | 6 | | 10.49 | 12.52 |
| I _{DD} (PWM1PLL48) | Enab | 48 | 0.5 | 0 | Disab | 1 | Disab | 1.18 | 1.42 |
| I _{DD} (PWM4PLL48) | | | | | | 4 | | 4.58 | 5.65 |
| I _{DD} (PWM5PLL48) | | | | | | 5 | | 5.9 | 7.5 |
| I _{DD} (PWM6PLL48) | | | | | | 6 | | 6.88 | 8.26 |
| I _{DD} (PWM1PLL24) | Enab | 24 | 0.5 | 0 | Disab | 1 | Disab | 0.8 | 0.95 |
| I _{DD} (PWM4PLL24) | | | | | | 4 | | 3.16 | 3.88 |
| I _{DD} (PWM5PLL24) | | | | | | 5 | | 4.2 | 5.2 |
| I _{DD} (PWM6PLL24) | | | | | | 6 | | 4.73 | 5.68 |
| I _{DD} (PWM1PLL12) | Enab | 12 | 0.5 | 0 | Disab | 1 | Disab | 0.6 | 0.7 |
| I _{DD} (PWM4PLL12) | | | | | | 4 | | 2.46 | 3.01 |
| I _{DD} (PWM5PLL12) | | | | | | 5 | | 3.3 | 4.2 |
| I _{DD} (PWM6PLL12) | | | | | | 6 | | 3.66 | 4.4 |
| I _{DD} (PWM1PLL6) | Enab | 6 | 0.5 | 0 | Disab | 1 | Disab | 0.5 | 0.6 |
| I _{DD} (PWM4PLL6) | | | | | | 4 | | 2.11 | 2.58 |
| I _{DD} (PWM5PLL6) | | | | | | 5 | | 2.9 | 3.6 |
| I _{DD} (PWM6PLL6) | | | | | | 6 | | 3.11 | 3.75 |
| I _{DD} (PWM1HSI16) | Enab | 16 | 0.5 | 0 | Disab | 1 | Disab | 0.6 | 0.7 |
| I _{DD} (PWM4HSI16) | | | | | | 4 | | 2.04 | 2.49 |
| I _{DD} (PWM5HSI16) | | | | | | 5 | | 2.8 | 3.4 |
| I _{DD} (PWM6HSI16) | | | | | | 6 | | 3.13 | 3.78 |

Table 75. Peripheral supply current consumption at $V_{DD}/V_{DDA} = 5\text{ V}$ (continued)

| Symbol | Clock | | | | Peripherals | | | Consumption ⁽¹⁾ | |
|--------------------|-------|---|-----|-----|-------------|---|-------|----------------------------|------|
| | Enab | | | | Disab | | Disab | | |
| $I_{DD}(PWM1HSI8)$ | Enab | 8 | 0.5 | 0 | Disab | 1 | Disab | 0.5 | 0.6 |
| $I_{DD}(PWM4HSI8)$ | | | | | | 4 | | 1.64 | 2.0 |
| $I_{DD}(PWM5HSI8)$ | | | | | | 5 | | 2.3 | 2.9 |
| $I_{DD}(PWM6HSI8)$ | | | | | | 6 | | 2.56 | 3.1 |
| $I_{DD}(PWM1HSI4)$ | Enab | 4 | 0.5 | 0 | Disab | 1 | Disab | 0.47 | 0.55 |
| $I_{DD}(PWM4HSI4)$ | | | | | | 4 | | 1.48 | 1.81 |
| $I_{DD}(PWM5HSI4)$ | | | | | | 5 | | 2.2 | 2.7 |
| $I_{DD}(PWM6HSI4)$ | | | | | | 6 | | 2.33 | 2.78 |
| $I_{DD}(PWM1HSI2)$ | Enab | 2 | 0.5 | 0 | Disab | 1 | Disab | 0.4 | 0.54 |
| $I_{DD}(PWM4HSI2)$ | | | | | | 4 | | 1.31 | 1.6 |
| $I_{DD}(PWM5HSI2)$ | | | | | | 5 | | 1.9 | 2.3 |
| $I_{DD}(PWM6HSI2)$ | | | | | | 6 | | 2.1 | 2.49 |
| $I_{DD}(ADC1)$ | Disab | 0 | 0 | 1 | Enab | 0 | Disab | 2.11 | 2.54 |
| $I_{DD}(ADC2)$ | Disab | 0 | 0 | 5.3 | Enab | 0 | Disab | 2.16 | 2.6 |
| $I_{DD}(ADC3)$ | Enab | 0 | 0 | 6 | Enab | 0 | Disab | 2.17 | 2.61 |

1. Data based on characterization results not tested in production.
2. SMED frequency:
 - 96 MHz and 6 MHz frequencies require the PLL enabled.
 - Current table shows only a subset value of possible SMED frequencies.
3. PWM frequency:
 - PWM toggle frequency is considered fixed to 500 kHz, close to the maximum applicative value.
4. ADC frequency:
 - 6 MHz frequency requires the PLL enabled.
 - Current table shows only a subset value of possible ADC frequencies.
5. ADC configured in circular mode.
6. Number of active PWMs.
7. PWM pins are loaded with a CL (load capacitance) of 50 pF.
8. If enabled all DACs and comparator units are active.
9. Temperature operating: $T_A = 25\text{ °C}$.

PWM current consumption overview

From *Figure 16* to *Figure 19* provide an outline view of PWM current consumption results. The consumptions are evaluated considering the maximum current at $T_A = 25\text{ }^\circ\text{C}$ with different SMED operating frequencies. The charts summarize the measurements carried out from *Table 74 on page 90* and *Table 75* allowing users to derive the PWM current consumption values.

Figure 16. PWM current consumption with $f_{SMED} = PLL\ f_{PWM} = 0.5\text{ MHz}$ at $V_{DD}/V_{DDA} = 5\text{ V}$

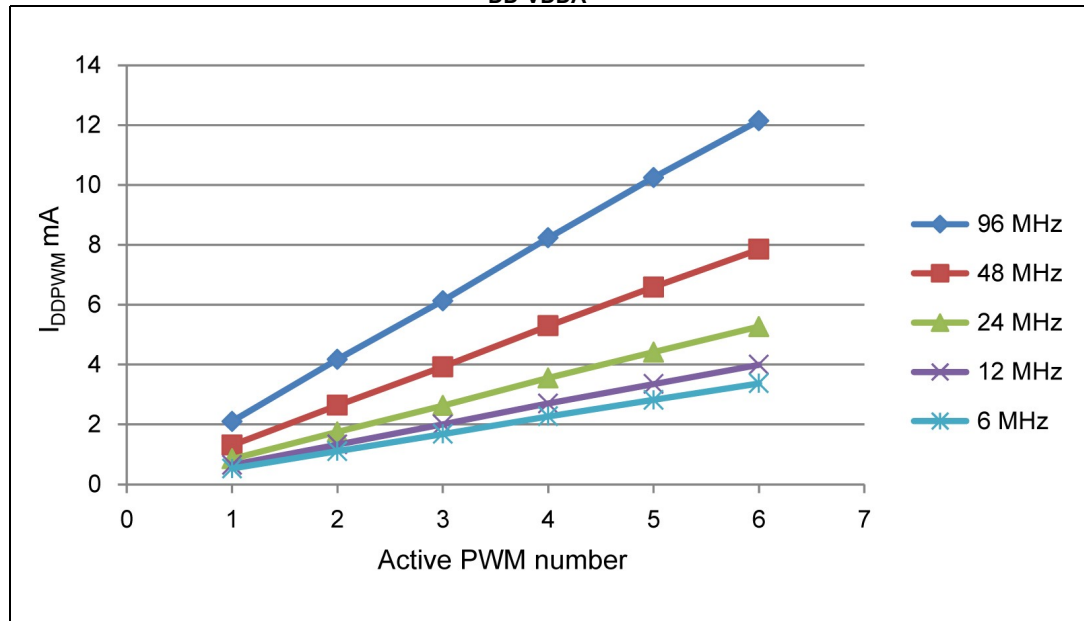


Figure 17. PWM current consumption with $f_{SMED} = PLL\ f_{PWM} = 0.5\text{ MHz}$ at $V_{DD}/V_{DDA} = 5\text{ V}$

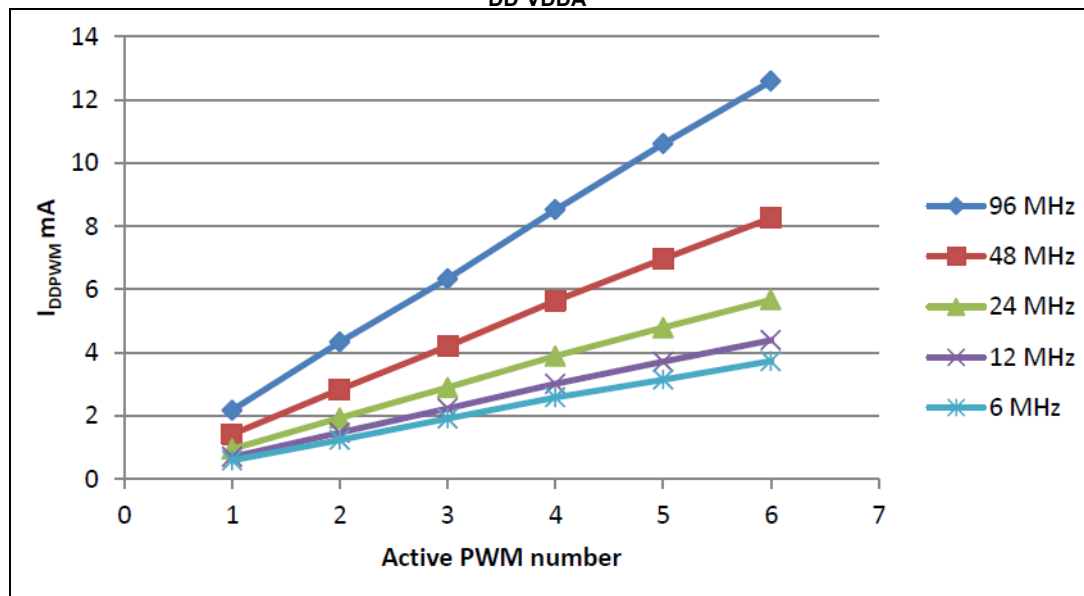


Figure 18. PWM current consumption with $f_{SMED} = HSI f_{PWM} = 0.5 \text{ MHz}$ at $V_{DD}/V_{DDA} = 3.3 \text{ V}$

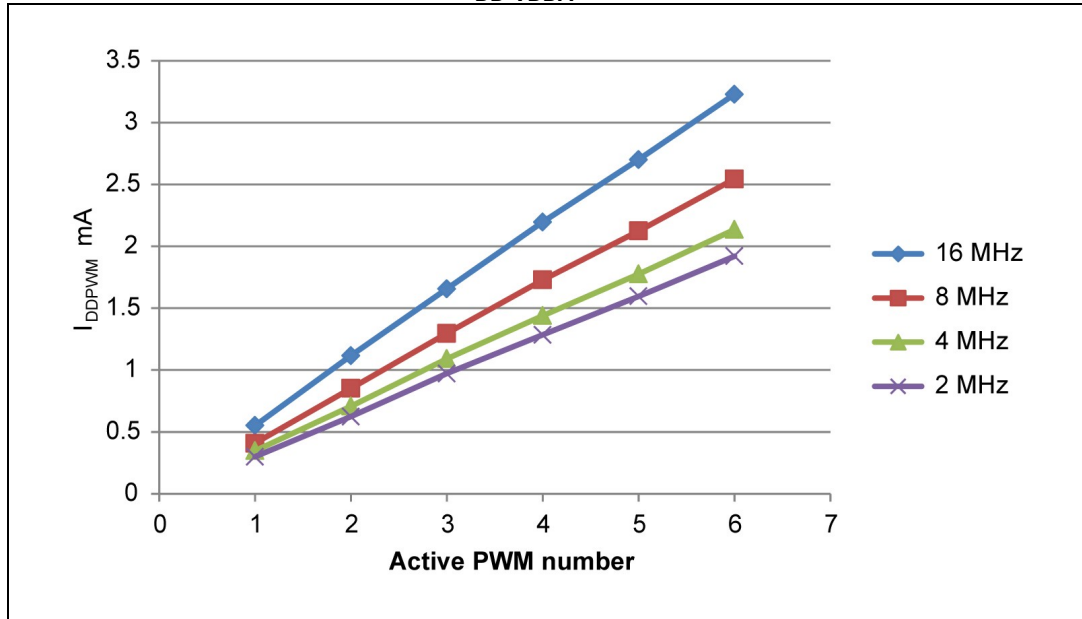
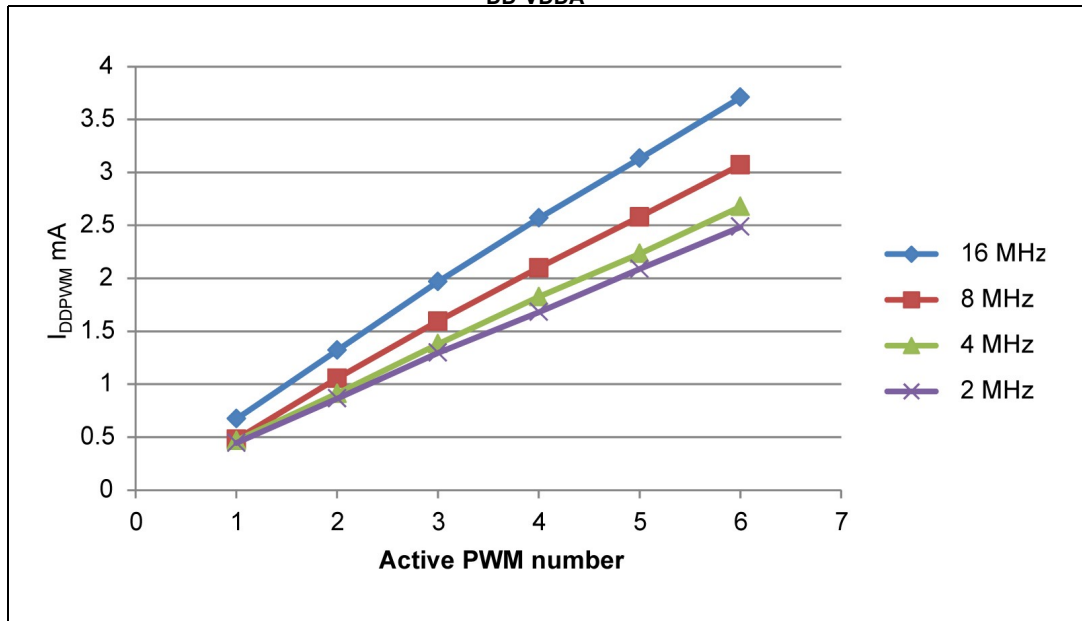


Figure 19. PWM current consumption with $f_{SMED} = HSI f_{PWM} = 0.5 \text{ MHz}$ at $V_{DD}/V_{DDA} = 5 \text{ V}$



Low power mode wake-up time

Table 76 shows the wake-up time to resume the normal operating mode from the different low power state.

Table 76. Wake-up times

| Symbol | Parameter | Conditions | | Typ. ⁽¹⁾ | Max. ⁽¹⁾ | Unit | |
|----------------------|--|--|--|---------------------|---------------------|------|--|
| t _{WU(WFI)} | Wake-up time from wait mode to run mode ⁽²⁾ | f _{CPU} ≠ f _{MASTER} = 0 to 16 MHz | | | Ref. ⁽³⁾ | μs | |
| | | f _{CPU} = f _{MASTER} = 16 MHz | | 0.56 | | | |
| t _{WU(AH)} | Wake-up time active halt mode to run mode ⁽²⁾ | MVR voltage regulator on ⁽⁴⁾ | Flash in operating mode ⁽⁵⁾ | HSI (after wake-up) | 4 ⁽⁶⁾ | | |
| | | | Flash in power- down mode ⁽⁵⁾ | | 6 ⁽⁶⁾ | | |
| | | MVR voltage regulator off ⁽⁴⁾ | Flash in operating mode ⁽⁵⁾ | | 47 ⁽⁶⁾ | | |
| | | | Flash in power- down mode ⁽⁵⁾ | | 49 ⁽⁶⁾ | | |
| t _{WU(H)} | Wake-up time from halt mode to run mode ⁽²⁾ | Flash in operating mode ⁽⁵⁾ | | 51 | | | |
| | | Flash in power-down mode ⁽⁵⁾ | | 53 | | | |

1. Data based on characterization results, not tested in production.
2. Measured from the interrupt event to interrupt vector fetch.
3. t_{WU(WFI)} = 2 x 1/f_{MASTER} + 7 x 1/f_{CPU}.
4. Configured by the REGAH bit in the CLK_ICKR register.
5. Configured by the AHALT bit in the FLASH_CR1 register.
6. Plus 1 LSI clock depending on synchronization (f_{LSI} = 153.6 kHz).

12.3.3 External clock sources and timing characteristics

HSE user external clock

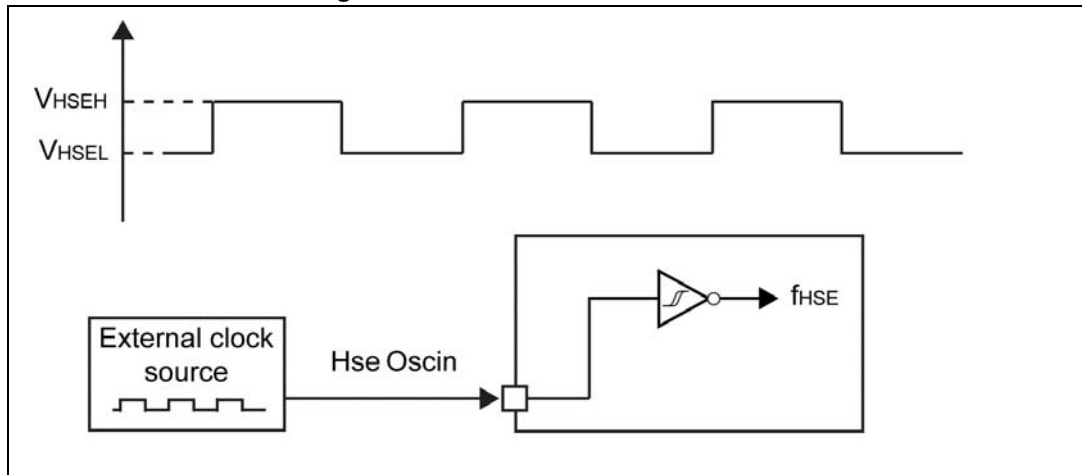
Subject to general operating conditions for V_{DD} and T_A.

Table 77. HSE user external clock characteristics

| Symbol | Parameter | Conditions | Min. | Max. | Unit |
|-------------------------------------|---------------------------------------|---|-----------------------|-----------------------|------|
| f _{HSE_ext} | User external clock source frequency | -40 °C ≤ T _A ≤ 105 °C | 0 | 16 ⁽¹⁾ | MHz |
| V _{HSEH} ⁽²⁾ | HSEOSCIN input pin high level voltage | | 0.7 x V _{DD} | V _{DD} | V |
| V _{HSEL} ⁽²⁾ | HSEOSCIN input pin low level voltage | | V _{SS} | 0.3 x V _{DD} | |
| I _{LEAKHSE} ⁽²⁾ | HSEOSCIN input pin leakage | V _{SS} ≤ V _{IN} ≤ V _{DD} | -1 | +1 | μA |

1. In case f_{HSE} is configured as a direct clock for the SMED logics the maximum frequency can be 24 MHz.
2. Data based on characterization results, not tested in production.

Figure 20. HSE external clock source



HSE crystal/ceramic resonator oscillator

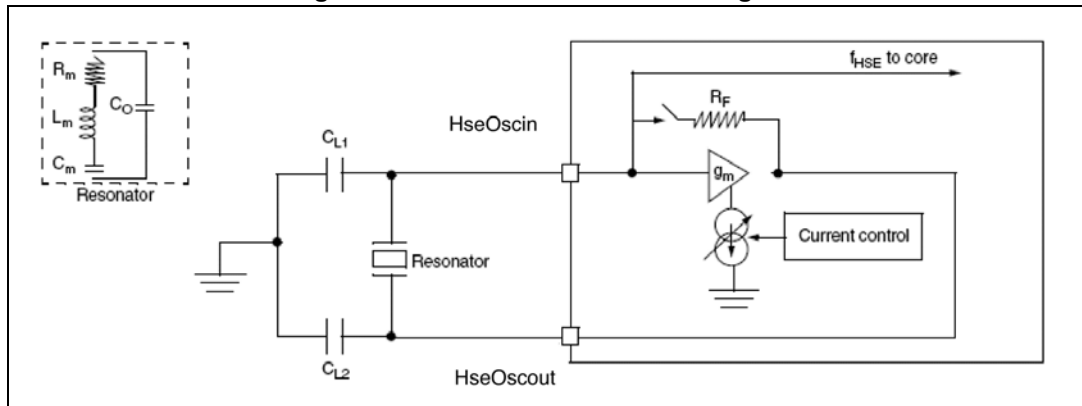
The HSE clock can be supplied with a 1 to 24 MHz crystal/ceramic resonator oscillator. All the information given in this paragraph is based on characterization results with specified typical external components. In the application, the resonator and the load capacitors have to be placed as close as possible to the oscillator pins in order to minimize output distortion and start-up stabilization time. Refer to the crystal resonator manufacturer for more details (frequency, package, accuracy, etc.).

Table 78. HSE crystal/ceramic resonator oscillator

| Symbol | Parameter | Conditions | Min. | Typ. | Max. | Unit |
|---------------------------------|---|------------------------|------|------|-------------------------------|------------|
| f_{HSE} | External high speed oscillator frequency | | 1 | | 16 ⁽¹⁾ | MHz |
| R_F | Feedback resistor | | | 220 | | k Ω |
| C_{L1}, C_{L2} ⁽²⁾ | Recommended load capacitance ⁽³⁾ | | | | 20 | pF |
| $I_{DD(HSE)}$ | HSE oscillator power consumption | | | | 6 (startup) 2 (stabilized) | mA |
| g_m | Oscillator transconductance | | 5 | | | mA/V |
| $t_{SU(HSE)}$ ⁽⁴⁾ | Startup time | V_{DD} is stabilized | | 2.8 | | ms |

1. In case f_{HSE} is configured as a direct clock for the SMED logic the maximum frequency can be 24 MHz.
2. The oscillator needs two load capacitors, CL1 and CL2, to act as load for the crystal. The total load capacitance (Cload) is $(CL1 * CL2) / (CL1 + CL2)$. If $CL1 = CL2$, $Cload = CL1 / 2$. Some oscillators have built-in load capacitors, CL1 and CL2.
3. The oscillator selection can be optimized in terms of supply current using a high quality resonator with small Rm value.
4. $t_{SU(HSE)}$ is the start-up time measured from the moment it is enabled (by software) to a stabilized 16 MHz oscillation is reached. This value is measured for a standard crystal resonator and it can vary significantly with the crystal manufacturer.

Figure 21. HSE oscillator circuit diagram



The crystal characteristics have to be checked with [Equation 3](#):

Equation 3

$$g_m \gg g_{mCritic}$$

where $g_{mCritic}$ is calculated with the crystal parameters as follows:

Equation 4

$$g_{mCritic} = (2 * \pi * f_{HSE})^2 * R_m (2C_o + C)^2$$

and where:

- R_m : motional resistance^(d)
- L_m : motional inductance^(d)
- C_m : motional capacitance^(d)
- C_o : shunt capacitance^(d)
- $C_{L1} = C_{L2} = C$: grounded external capacitance

d. Refer to the application crystal specification.

12.3.4 Internal clock sources and timing characteristics

HSI RC oscillator

Subject to general operating conditions for V_{DD} and T_A .

Table 79. HSI RC oscillator

| Symbol | Parameter | Conditions | Min. ⁽¹⁾ | Typ. | Max. ⁽¹⁾ | Unit |
|---------------|---|--|---------------------|------|---------------------|---------------|
| f_{HSI} | Frequency | | | 16 | | MHz |
| ACC_{HSI} | Accuracy of HSI oscillator (factory calibrated) ^{(1), (2)} | $V_{DD} = 3.3\text{ V}$ $T_A = 25\text{ °C}$ | -1% | | +1% | % |
| | | $V_{DD} = 3.3\text{ V}$ $-40\text{ °C} \leq T_A \leq 105\text{ °C}$ | -4% | | +4% | |
| | | $V_{DD} = 5\text{ V}$ $-40\text{ °C} \leq T_A \leq 105\text{ °C}$ | -4% | | +4% | |
| $t_{SU(HSI)}$ | HSI oscillator wake-up time including calibration | | | 1 | | μs |

1. Data based on characterization results, not tested in production.
2. Variation referred to f_{HSI} nominal value.

LSI RC oscillator

Subject to general operating conditions for V_{DD} and T_A .

Table 80. LSI RC oscillator

| Symbol | Parameter | Conditions | Min. ⁽¹⁾ | Typ. | Max. ⁽¹⁾ | Unit |
|---------------|-----------------------------|---|---------------------|-------|---------------------|---------------|
| f_{LSI} | Frequency | | | 153.6 | | kHz |
| ACC_{LSI} | Accuracy of LSI oscillator | $3.3\text{ V} \leq V_{DD} \leq 5\text{ V}$ $-40\text{ °C} \leq T_A \leq 105\text{ °C}$ | -10% | | 10% | % |
| $t_{SU(LSI)}$ | LSI oscillator wake-up time | | | 7 | | μs |

1. Guaranteed by design, not tested in production.

PLL internal source clock

Table 81. PLL internal source clock

| Symbol | Parameter | Conditions | Min. ⁽¹⁾ | Typ. | Max. ⁽¹⁾ | Unit |
|------------|--------------------------------|---|---------------------|------|---------------------|------|
| f_{IN} | Input frequency ⁽²⁾ | $3.3\text{ V} \leq V_{DD} \leq 5\text{ V}$ $-40\text{ °C} \leq T_A \leq 105\text{ °C}$ | | 16 | | MHz |
| f_{OUT} | Output frequency | | | 96 | | |
| t_{lock} | PLL lock time | | | | | 200 |

1. Data based on characterization results, not tested in production.
2. PLL maximum input frequency 16 MHz.

12.3.5 Memory characteristics

Flash program and memory/data E²PROM memory

General conditions: T_A = -40 °C to 105 °C.

Table 82. Flash program memory/data E²PROM memory

| Symbol | Parameter | Conditions | Min. ⁽¹⁾ | Typ. ⁽¹⁾ | Max. ⁽¹⁾ | Unit |
|--------------------|--|----------------------------------|---------------------|---------------------|---------------------|--------|
| t _{PROG} | Standard programming time (including erase) for byte/word/block (1 byte/4 bytes/128 bytes) | | | 6 | 6.6 | ms |
| | Fast programming time for 1 block (128 bytes) | | | 3 | 3.3 | |
| t _{ERASE} | Erase time for 1 block (128 bytes) | | | 3 | 3.3 | ms |
| N _{WE} | Erase/write cycles ⁽²⁾ (program memory) | T _A = 25 °C | 10 K | | | Cycles |
| | Erase/write cycles ⁽²⁾ (data memory) | T _A = 85 °C | 100 K | | | |
| | | T _A = 105 °C | 35 K | | | |
| t _{RET} | Data retention (program memory) after 10 K erase/write cycles at T _A = 25 °C | T _{RET} = 85 °C | 15 | | | Years |
| | Data retention (program memory) after 10 K erase/write cycles at T _A = 25 °C | T _{RET} = 105 °C | 11 | | | |
| | Data retention (data memory) after 100 K erase/write cycles at T _A = 85 °C | T _{RET} = 85 °C | 15 | | | |
| | Data retention (data memory) after 35 K erase/write cycles at T _A = 105 °C | T _{RET} = 105 °C | 6 | | | |
| I _{DDPRG} | Supply current during program and erase cycles | -40 °C ≤ T _A ≤ 105 °C | | 2 | | mA |

1. Data based on characterization results, not tested in production.
2. The physical granularity of the memory is 4 bytes, so cycling is performed on 4 bytes even when a write/erase operation addresses a single byte.

12.3.6 I/O port pin characteristics

Subject to general operating conditions for V_{DD} and T_A unless otherwise specified. Unused input pins should not be left floating.

Table 83. Voltage DC characteristics

| Symbol | Description | Min. ⁽¹⁾ | Typ. | Max. ⁽¹⁾ | Unit |
|-----------|---|----------------------|------|---------------------|------------|
| V_{IL} | Input low voltage | -0.3 | | $0.3 * V_{DD}$ | V |
| V_{IH} | Input high voltage ⁽²⁾ | $0.7 * V_{DD}$ | | V_{DD} | |
| V_{OL1} | Output low voltage at 3.3 V ^{(3), (4)} | | | $0.4^{(5)}$ | |
| V_{OL2} | Output low voltage at 5 V ^{(3), (4)} | | | 0.5 | |
| V_{OL3} | Output low voltage high sink at 3.3 V / 5 V ^{(2), (6), (7)} | | | $0.6^{(5)}$ | |
| V_{OH1} | Output high voltage at 3.3 V ^{(3), (4)} | $V_{DD} - 0.4^{(5)}$ | | | |
| V_{OH2} | Output high voltage at 5 V ^{(3), (4)} | $V_{DD} - 0.5$ | | | |
| V_{OH3} | Output high voltage high sink at 3.3 V / 5 V ^{(2), (6), (7)} | $V_{DD} - 0.6^{(5)}$ | | | |
| H_{VS} | Hysteresis input voltage ⁽⁸⁾ | $0.1 * V_{DD}$ | | | |
| R_{PU} | Pull-up resistor | 30 | 45 | 60 | k Ω |

1. Data based on characterization result, not tested in production.
2. All signals are not 5 V tolerant (input signals can't be exceeded V_{DDX} ($V_{DDX} = V_{DD}, V_{DDA}$)).
3. A high sink selectable by high speed configuration; the parameter applicable to signals: GPIO0 [5:0] (product depending).
4. The parameter applicable to signals: GPIO1 [5:0]/PWM [5:0] (product depending).
5. Electrical threshold voltage not yet characterized at -40 °C.
6. The parameter applicable to the signal: SWIM.
7. The parameter applicable to the signal: DIGIN [0]/CCO_clk.
8. Applicable to any digital inputs.

Table 84. Current DC characteristics

| Symbol | Description | Min. | Typ. | Max. ⁽¹⁾ | Unit |
|--------------------|---|------|------|---------------------|------|
| I _{OL1} | Standard output low level current at 3.3 V and V _{OL1} ^{(2), (3)} | | | 1.5 | mA |
| I _{OL2} | Standard output low level current at 5 V and V _{OL2} ^{(2), (3)} | | | 3 | |
| I _{OLhs1} | High sink output low level current at 3.3 V and V _{OL3} ^{(2), (4), (5)} | | | 5 | |
| I _{OLhs2} | High sink output low level current at 5 V and V _{OL3} ^{(2), (4), (5)} | | | 7.75 | |
| I _{OH1} | Standard output high level current at 3.3 V and V _{OH1} ^{(2), (3)} | | | 1.5 | |
| I _{OH2} | Standard output high level current at 5 V and V _{OLH2} ^{(2), (3)} | | | 3 | |
| I _{OHhs1} | High sink output high level current at 3.3 V and V _{OH3} ^{(2), (4), (5)} | | | 5 | |
| I _{OHhs2} | High sink output high level current at 5 V and V _{OH3} ^{(2), (4), (5)} | | | 7.75 | |
| I _{LKg} | Input leakage current digital - analog V _{SS} ≤ V _{IN} ≥ V _{DD} ⁽⁶⁾ | | | ± 1 | µA |
| I _{_Inj} | Injection current ^{(7), (8)} | | | ± 4 | mA |
| ΣI _{_Inj} | Total injection current (sum of all I/O and control pins) ⁽⁷⁾ | | | ± 20 | |

1. Data based on characterization result, not tested in production.
2. A high sink selectable by high speed configuration; the parameter applicable to signals: GPIO0 [5:0] (product depending).
3. The parameter applicable to signals: GPIO1 [5:0]/PWM [5:0] (product depending).
4. The parameter applicable to the signal: SWIM.
5. The parameter applicable to the signal: DIGIN [0]/CCO_clk.
6. Applicable to any digital inputs.
7. Maximum value must never be exceeded.
8. Negative injection current on the ADCIN [7:0] signals (product depending) have to avoid since impact the ADC conversion accuracy.

Table 85. Operating frequency characteristics

| Symbol | Description | Min. | Typ. | Max. ⁽¹⁾ | Unit |
|------------------|--|------|------|---------------------|------|
| f _{IL1} | Digital input signal operating frequency ^{(2), (3), (4)} | | | 12 | MHz |
| f _{IH1} | Analog input signal operating frequency ^{(5), (6)} | | | 24 | |
| f _{IH2} | High speed input signal operating frequency ^{(7), (8)} | | | 128 | |
| f _{OL1} | Standard output signal operating frequency with 50 pF max. load ⁽²⁾ | | | 2 | |
| f _{OL2} | High sink output signal operating frequency with 50 pF max. load ^{(2), (3)} | | | 10 | |
| f _{OH1} | High speed output signal operating frequency with 50 pF max. load ⁽⁷⁾ | | | 12 | |
| f _{OH2} | High speed output signal operating frequency with 50 pF max. load ⁽⁸⁾ | | | 32 | |

1. Data based on characterization result, not tested in production.
2. A high sink selectable by high speed configuration; parameter applicable to signals: GPIO0 [5:0] (product depending).
3. The parameter applicable to the signal: SWIM.
4. The parameter applicable to signals: DIGIN [5:1] (product depending).
5. The parameter applicable to signals: GPIO0 [3:2] when configured as HSE_Oscin/Oscout.
6. The parameter applicable to any analog signals: ADCIN [7:0], CPP [3:0] and CPM3 (product depending).
7. The parameter applicable to signals: GPIO1 [5:0]/PWM [5:0] (product depending).
8. The parameter applicable to the signal: DIGIN [0]/CCO_clk.

12.3.7 Typical output level curves

This section shows the typical output voltage level curves measured on a single output pin for the three pad family present in the STLUX family.

Standard pad

This pad is associated to the following signals: DIGIN [5:1], SWIM, GPIO0 [3:0], CPP [3:0], CPM3 and ADCIN [7:0] when available.

Figure 22. V_{OH} standard pad at 3.3 V

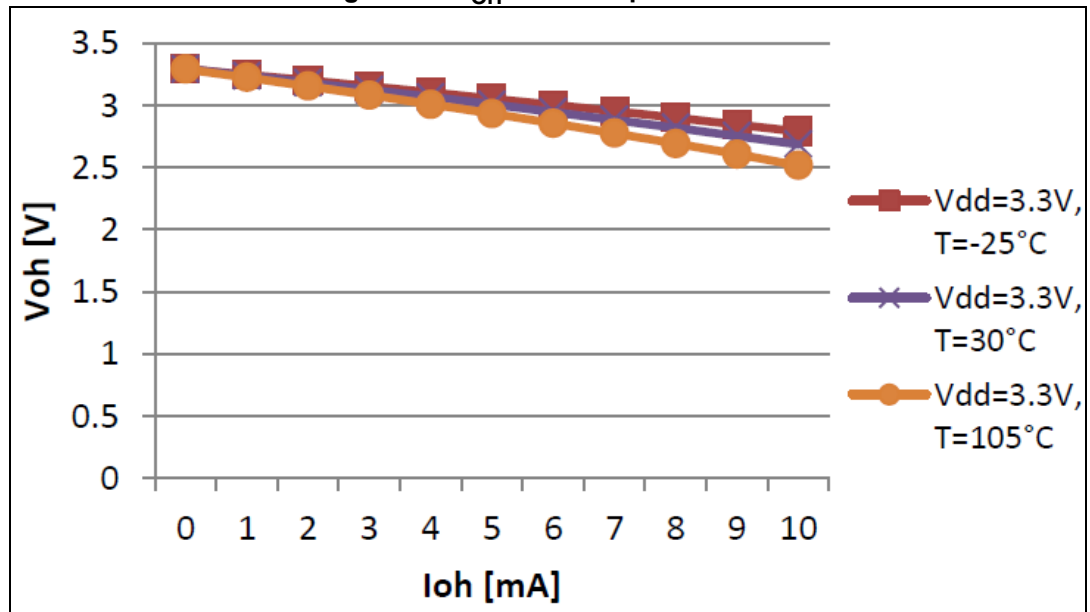


Figure 23. V_{OL} standard pad at 3.3 V

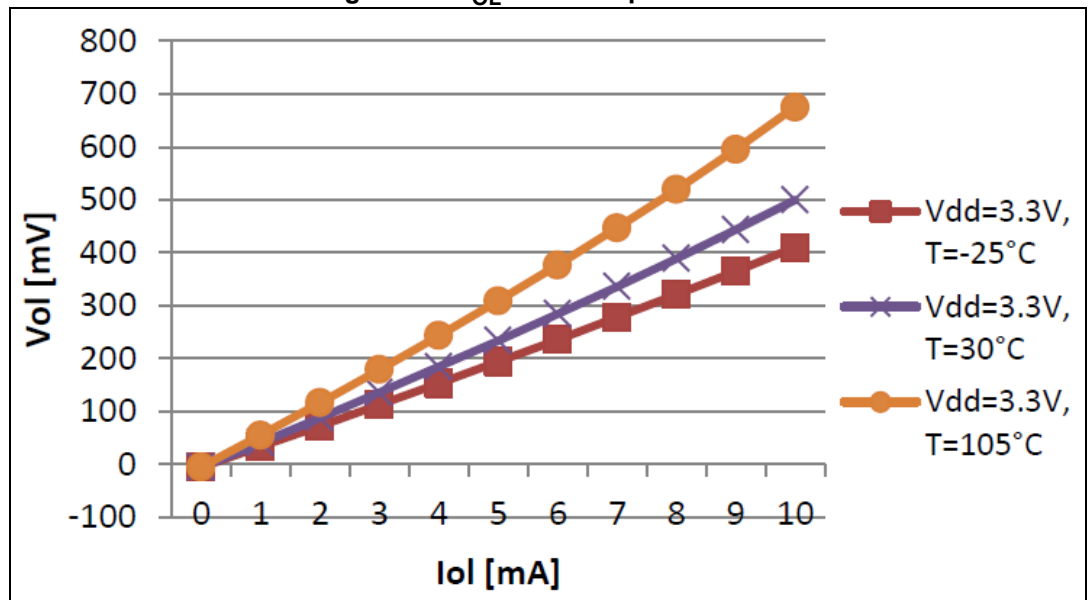


Figure 24. V_{OH} standard pad at 5 V

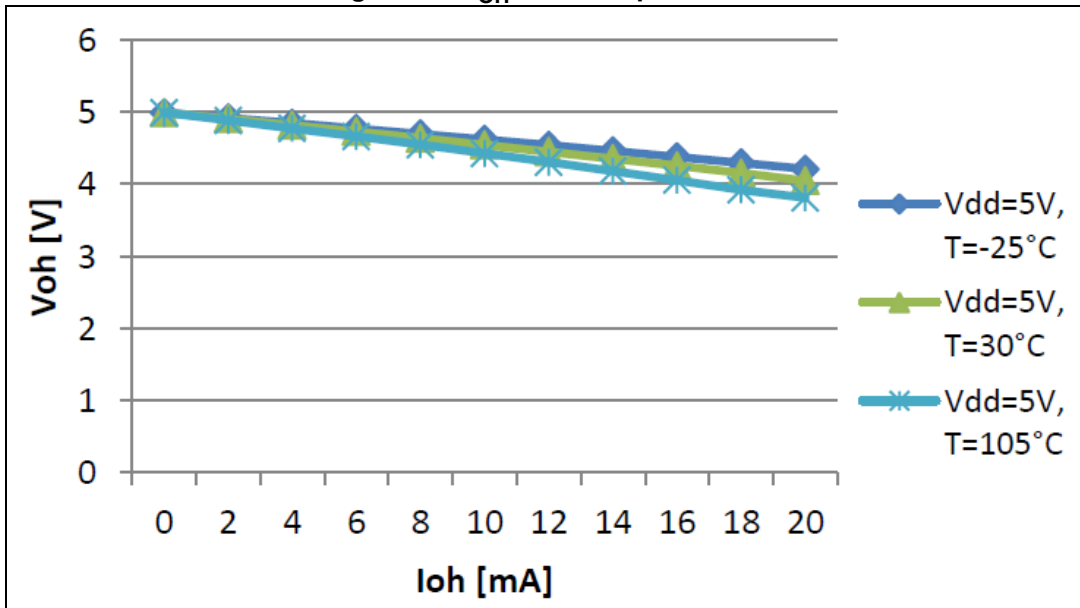
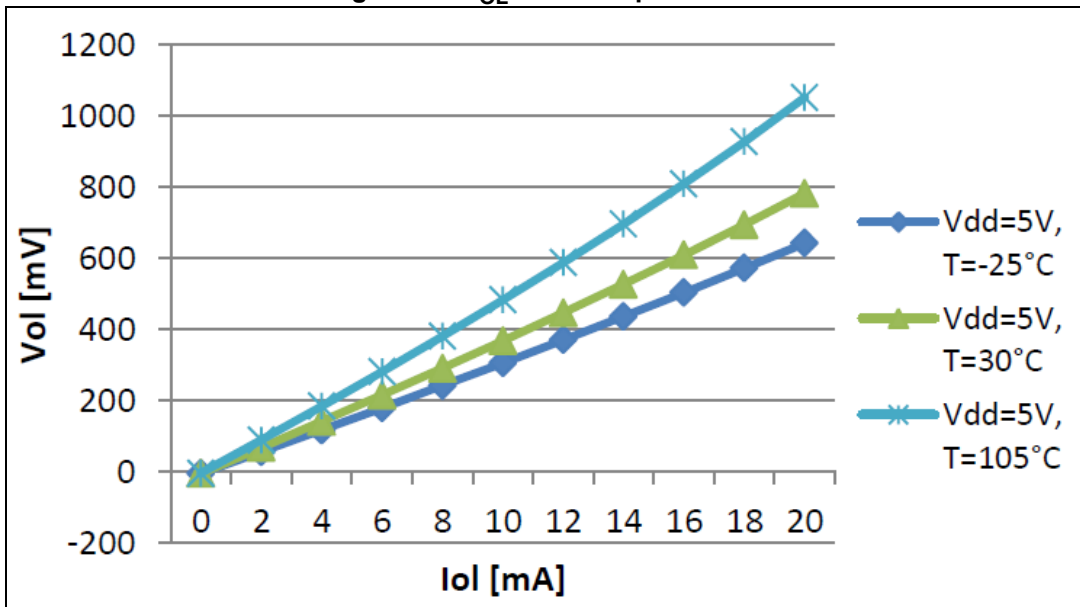


Figure 25. V_{OL} standard pad at 5 V



Fast pad

This pad is associated to the PWM [5:0] signals if the external pin is available.

Figure 26. V_{OH} fast pad at 3.3 V

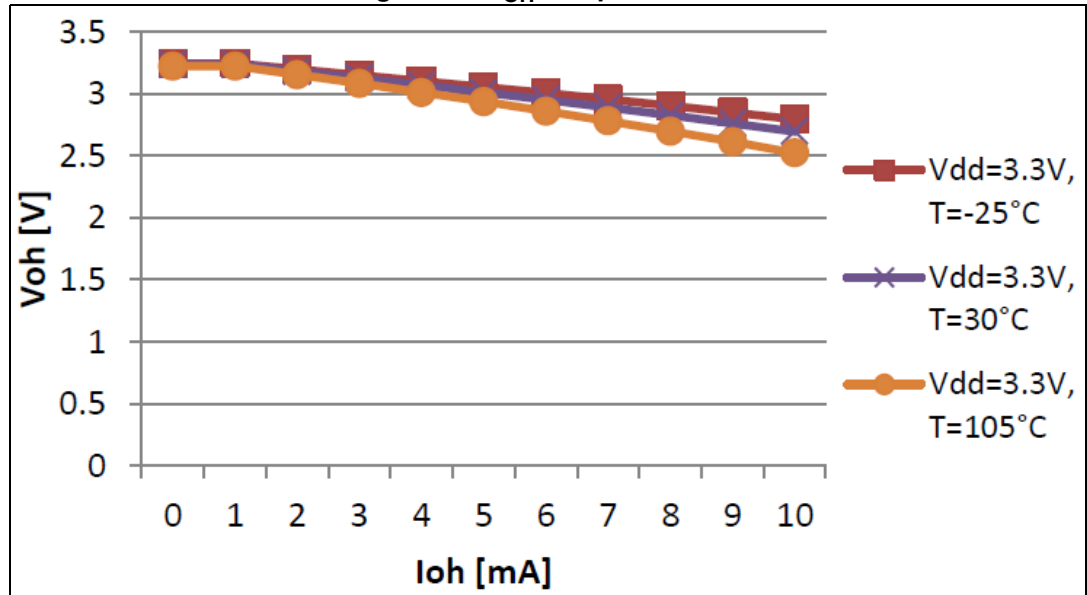


Figure 27. V_{OL} fast pad at 3.3 V

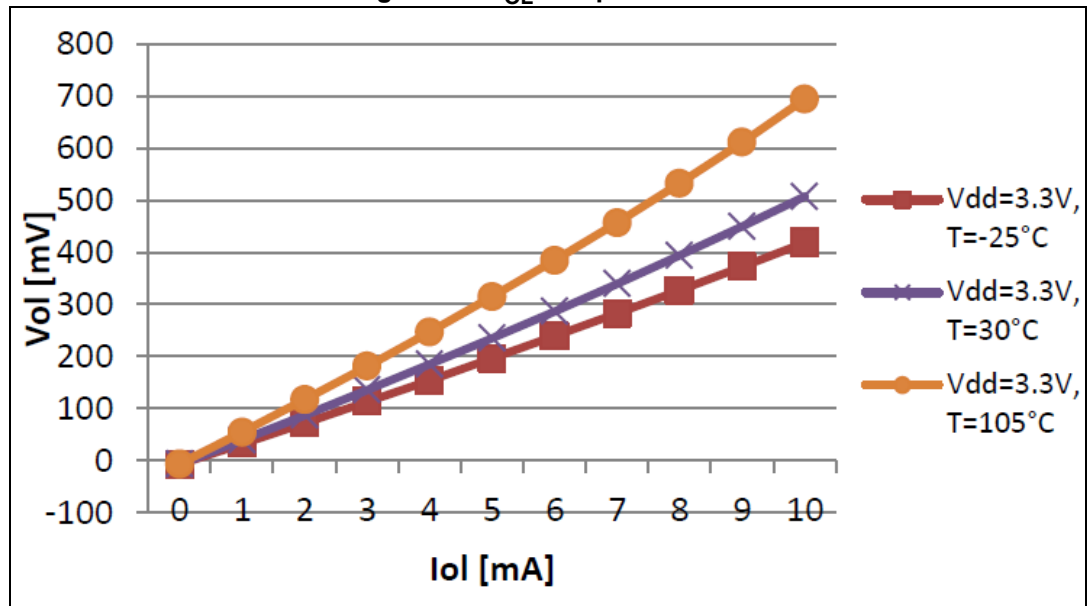


Figure 28. V_{OH} fast pad at 5 V

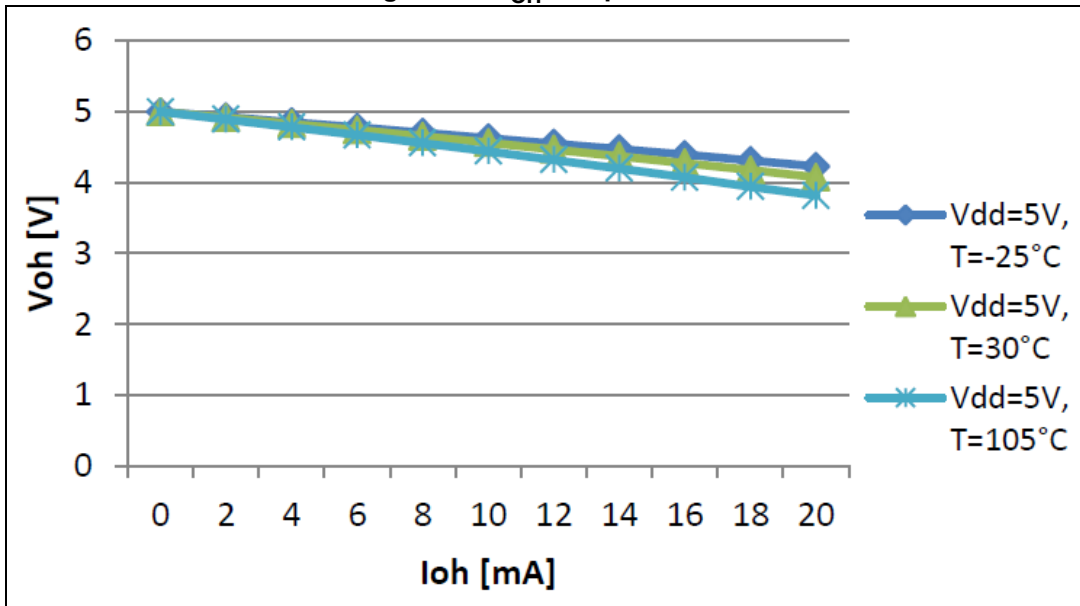
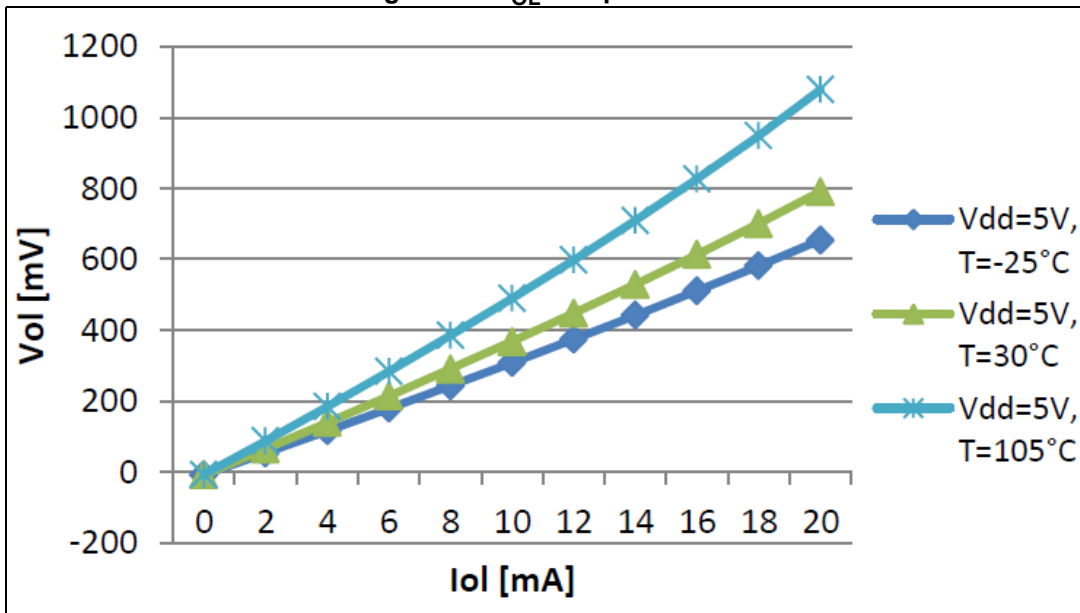


Figure 29. V_{OL} fast pad at 5 V



High speed pad

This pad is associated to the DIGIN [0] signals.

Figure 30. V_{OH} high speed pad at 3.3 V

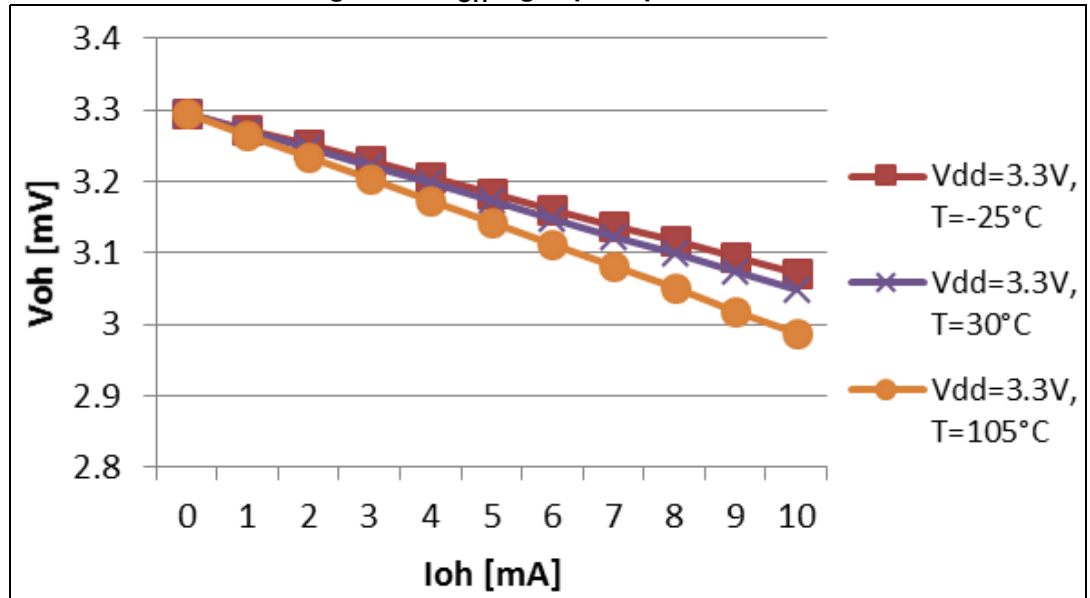


Figure 31. V_{OL} high speed pad at 3.3 V

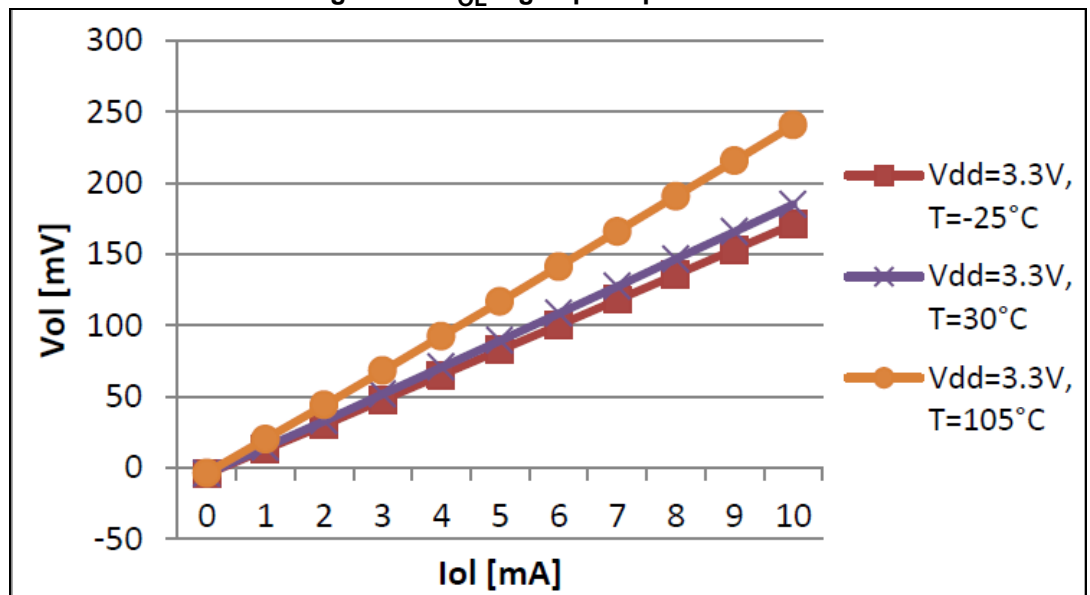


Figure 32. V_{OH} high speed pad at 5 V

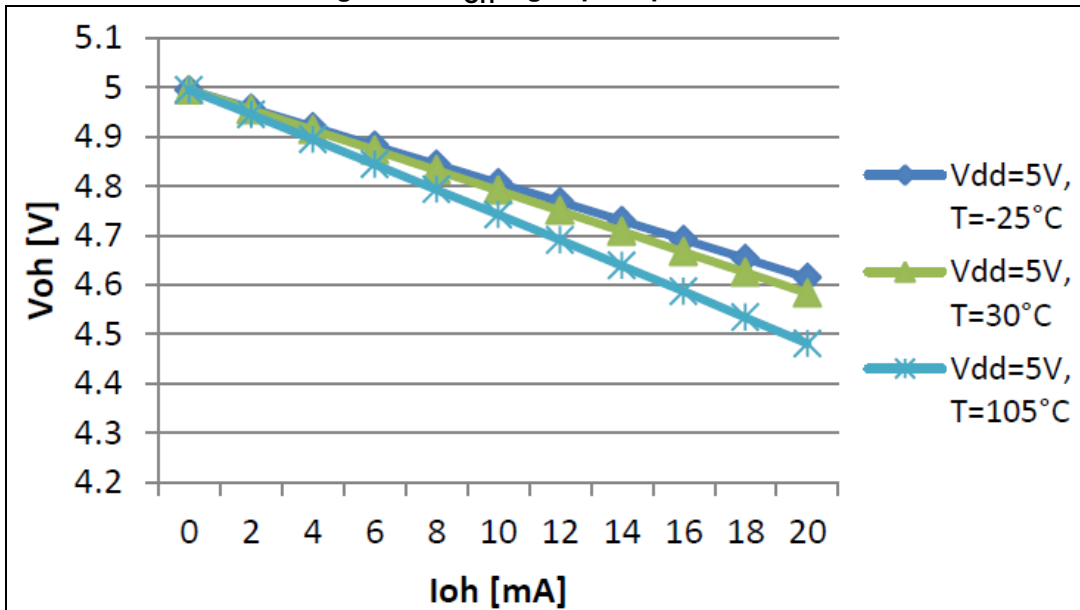
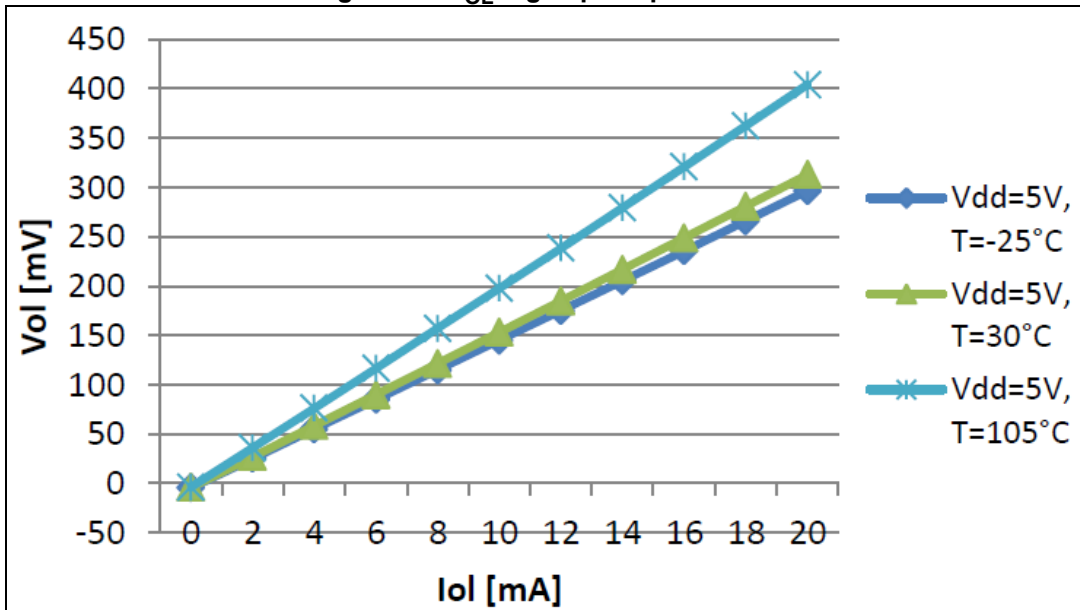


Figure 33. V_{OL} high speed pad at 5 V



12.3.8 Reset pin characteristics

Subject to general operating conditions for V_{DD} and T_A unless otherwise specified.

Table 86. NRST pin characteristics

| Symbol | Parameter | Conditions | Min. ⁽¹⁾ | Typ. | Max. ⁽¹⁾ | Unit |
|------------------|--|-------------------------|---------------------|------|---------------------|---------------|
| $V_{IL(NRST)}$ | NRST input low level voltage ⁽¹⁾ | | -0.3 | | $0.3 \times V_{DD}$ | V |
| $V_{IH(NRST)}$ | NRST input high level voltage ⁽¹⁾ | | $0.7 \times V_{DD}$ | | $V_{DD} + 0.3$ | |
| $V_{OL(NRST)}$ | NRST output low level voltage ⁽¹⁾ | $I_{OL} = 2 \text{ mA}$ | | | 0.5 | |
| $R_{PU(NRST)}$ | NRST pull-up resistor ⁽²⁾ | | 30 | 40 | 60 | k Ω |
| $t_{IFP(NRST)}$ | NRST input filtered pulse ⁽³⁾ | | | | 75 | ns |
| $t_{INFP(NRST)}$ | NRST not input filtered pulse ⁽³⁾ | | 500 | | | |
| $t_{OP(NRST)}$ | NRST output filtered pulse ⁽³⁾ | | 15 | | | μs |

1. Data based on characterization results, not tested in production.
2. The RPU pull-up equivalent resistor is based on a resistive transistor.
3. Data guaranteed by design, not tested in production.

12.3.9 I²C interface characteristics

Table 87. I²C interface characteristics

| Symbol | Parameter | Standard mode | | Fast mode ⁽¹⁾ | | Unit |
|-----------------------|---|---------------------|---------------------|--------------------------|---------------------|---------------|
| | | Min. ⁽²⁾ | Max. ⁽²⁾ | Min. ⁽²⁾ | Max. ⁽²⁾ | |
| $t_{w(SCLL)}$ | SCL clock low time | 4.7 | | 1.3 | | μs |
| $t_{w(SCLH)}$ | SCL clock high time | 4.0 | | 0.6 | | ns |
| $t_{su(SDA)}$ | SDA setup time | 250 | | 100 | | |
| $t_h(SDA)$ | SDA data hold time | 0 ⁽³⁾ | | 0 ⁽³⁾ | 900 ⁽³⁾ | |
| $t_r(SDA) \ t_r(SCL)$ | SDA and SCL rise time ($V_{DD} = 3.3 \text{ to } 5 \text{ V}$) ⁽⁴⁾ | | 1000 | | 300 | |
| $t_f(SDA) \ t_f(SCL)$ | SDA and SCL fall time ($V_{DD} = 3.3 \text{ to } 5 \text{ V}$) ⁽⁴⁾ | | 300 | | 300 | μs |
| $t_h(STA)$ | START condition hold time | 4.0 | | 0.6 | | |
| $t_{su(STA)}$ | Repeated START condition setup time | 4.7 | | 0.6 | | |
| $t_{su(STO)}$ | STOP condition setup time | 4.0 | | 0.6 | | μs |
| $t_{w(STO:STA)}$ | STOP to START condition time (bus free) | 4.7 | | 1.3 | | μs |
| C_b | Capacitive load for each bus line ⁽⁵⁾ | | 50 | | 50 | pF |

1. f_{MASTER} must be at least 8 MHz to achieve maximum fast I²C speed (400 kHz).
2. Data based on standard I²C protocol requirement, not tested in production.
3. The maximum hold time of the start condition has only to be met if the interface does not stretch the low time.
4. I²C multifunction signals require the high sink pad configuration and the interconnection of 1 K Ω pull-up resistances.
5. 50 pF is the maximum load capacitance value to meet the I²C std timing specifications.

12.3.10 10-bit SAR ADC characteristics

Subject to general operating conditions for V_{DDA} , f_{MASTER} , and T_A unless otherwise specified.

Table 88. ADC characteristics

| Symbol | Parameter | Conditions | Min. | Typ. | Max. | Unit |
|-------------|---|---------------------------|------|-------|---------------------|---------------|
| N | Resolution | | | 10 | | bit |
| R_{ADCIN} | ADC input impedance | | 1 | | | $M\Omega$ |
| f_{ADC} | ADC Clock frequency | | 1 | | $6^{(1)}$ | MHz |
| V_{IN1} | Conversion voltage range for gain x1 | | 0 | | $1.25^{(2), (3)}$ | |
| V_{IN2} | Conversion voltage range for gain x4 ⁽⁴⁾ | | 0 | | $0.3125^{(2), (3)}$ | |
| V_{ref} | ADC main reference voltage ⁽⁵⁾ | | | 1.250 | | V |
| t_S | Sampling time | $f_{ADC} = 6 \text{ MHz}$ | | 0.50 | | μs |
| t_{STAB} | Wakeup time from ADC standby | | | 30 | | |
| t_{CONV1} | Single conversion time including sampling time | $f_{ADC} = 6 \text{ MHz}$ | | 2.42 | | |
| t_{CONV2} | Continuous conversion time including sampling time | $f_{ADC} = 6 \text{ MHz}$ | | 3 | | |

1. Frequency generated selecting the PLL source clock.
2. Maximum input analog voltage cannot exceed V_{DDA} .
3. Exceeding the maximum voltage on the ADCIN [7:0] signals (product depending) for the related conversion scale must be avoided since the ADC conversion accuracy can be impacted.
4. Product depending.
5. ADC reference voltage at $T_A = 25 \text{ }^\circ\text{C}$.

ADC accuracy characteristics at V_{DD}/V_{DDA} 3.3 VTable 89. ADC accuracy characteristics at V_{DD}/V_{DDA} 3.3 V

| Symbol | Parameter | Conditions ⁽¹⁾ | Typ. ⁽²⁾ | Min. ⁽³⁾ | Max. ⁽³⁾ | Unit |
|-----------|---|--|---------------------|---------------------|---------------------|------|
| $ E_T $ | Total unadjusted error ^{(4), (5), (6)} | $f_{ADC} = 6$ MHz gain 1 | 2.8 | | | LSB |
| $ E_O $ | Offset error ^{(4), (5), (6)} | | 0.3 | | | |
| $ E_G $ | Gain error ^{(4), (5), (6), (7)} | | 0.4 | | | |
| E_{O+G} | Offset + gain error ^{(7), (8)} | | | -8.5 | 9.3 | |
| E_{O+G} | Offset + gain error ^{(7), (9)} | | | -11 | 11 | |
| E_{O+G} | Offset + gain error ^{(7), (10)} | | | -14.3 | 11.3 | |
| $ E_D $ | Differential linearity error ^{(2), (3), (4)} | | 0.5 | | | |
| $ E_L $ | Integral linearity error ^{(4), (5), (6)} | 1.4 | | | | |
| $ E_T $ | Total unadjusted error ^{(4), (5), (6)} | $f_{ADC} = 6$ MHz gain 4 ⁽¹¹⁾ | 2.8 | | | |
| $ E_O $ | Offset error ^{(4), (5), (6)} | | 0.3 | | | |
| $ E_G $ | Gain error ^{(4), (5), (6), (7)} | | 0.4 | | | |
| E_{O+G} | Offset + gain error ^{(7), (8)} | | | -12.7 | 15.5 | |
| E_{O+G} | Offset + gain error ^{(5), (9)} | | | -16.7 | 18.8 | |
| E_{O+G} | Offset + gain error ^{(7), (10)} | | | -19.2 | 18.8 | |
| $ E_D $ | Differential linearity error ^{(4), (5), (6)} | | 0.5 | | | |
| $ E_L $ | Integral linearity error ^{(4), (5), (6)} | 1.4 | | | | |

1. Measured with $R_{AIN} < 10$ k Ω (R_{AIN} external series resistance interconnected between the AC signal generator and the ADC input pin).
2. Temperature operating: $T_A = 25$ °C.
3. Data based on characterization results, not tested in production.
4. ADC accuracy vs. negative injection current. Injecting negative current on any of the analog input pins should be avoided as this reduces the accuracy of the conversion being performed on another analog input. It is recommended a Schottky diode (pin to ground) to be added to standard analog pins which may potentially inject the negative current. Any positive injection current within the limits specified for $I_{INJ(PIN)}$ and $\Sigma I_{INJ(PIN)}$ in the I/O port pin characteristic section does not affect the ADC accuracy. The ADC accuracy parameters may be also impacted exceeding the ADC maximum input voltage V_{IN1} or V_{IN2} .
5. Results in manufacturing test mode.
6. Data aligned with trimming voltage parameters.
7. Gain error evaluation with the two point method.
8. Temperature operating range: 0 °C $\leq T_A \leq 85$ °C.
9. Temperature operating range: -25 °C $\leq T_A \leq 105$ °C.
10. Temperature operating range: -40 °C $\leq T_A \leq 105$ °C.
11. Product depending.

ADC accuracy characteristics at $V_{DD}/V_{DDA} 5 V$

Table 90. ADC accuracy characteristics at $V_{DD}/V_{DDA} 5 V$

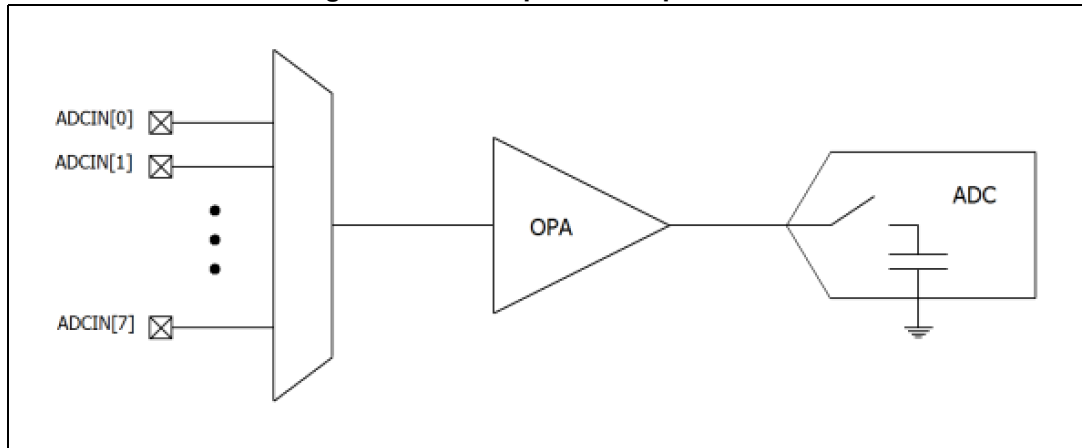
| Symbol | Parameter | Conditions ⁽¹⁾ | Typ. ⁽²⁾ | Min. ⁽³⁾ | Max. ⁽³⁾ | Unit |
|-----------|---|--|---------------------|---------------------|---------------------|------|
| $ E_T $ | Total unadjusted error ^{(4), (5), (6)} | $f_{ADC} = 6 \text{ MHz gain } 1$ | TBD | | | LSB |
| $ E_{O }$ | Offset error ^{(4), (5), (6)} | | 0.5 | | | |
| $ E_G $ | Gain error ^{(4), (5), (6), (7)} | | 0.4 | | | |
| E_{O+G} | Offset + gain error ^{(7), (8)} | | | -8.3 | 8.9 | |
| E_{O+G} | Offset + gain error ^{(7), (9)} | | | -10.9 | 10.9 | |
| E_{O+G} | Offset + gain error ^{(7), (10)} | | | -13.8 | 10.9 | |
| $ E_D $ | Differential linearity error ^{(2), (3), (4)} | | 0.8 | | | |
| $ E_L $ | Integral linearity error ^{(4), (5), (6)} | | 2.0 | | | |
| $ E_T $ | Total unadjusted error ^{(4), (5), (6)} | $f_{ADC} = 6 \text{ MHz gain } 4^{(11)}$ | TBD | | | |
| $ E_{O }$ | Offset error ^{(4), (5), (6)} | | 1.2 | | | |
| $ E_G $ | Gain error ^{(4), (5), (6), (7)} | | 0.2 | | | |
| E_{O+G} | Offset + gain error ^{(7), (8)} | | | -12.2 | 15.3 | |
| E_{O+G} | Offset + gain error ^{(5), (9)} | | | -16.4 | 18.5 | |
| E_{O+G} | Offset + gain error ^{(7), (10)} | | | -18.8 | 18.5 | |
| $ E_D $ | Differential linearity error ^{(4), (5), (6)} | | 0.8 | | | |
| $ E_L $ | Integral linearity error ^{(4), (5), (6)} | | 2.0 | | | |

1. Measured with $R_{AIN} < 10 \text{ k}\Omega$ (R_{AIN} external series resistance interconnected between the AC signal generator and the ADC input pin).
2. Temperature operating: $T_A = 25 \text{ }^\circ\text{C}$.
3. Data based on characterization results, not tested in production.
4. ADC accuracy vs. negative injection current. Injecting negative current on any of the analog input pins should be avoided as this reduces the accuracy of the conversion being performed on another analog input. It is recommended a Schottky diode (pin to ground) to be added to standard analog pins which may potentially inject negative current. Any positive injection current within the limits specified for $I_{INJ(PIN)}$ and $\Sigma I_{INJ(PIN)}$ in the I/O port pin characteristic section does not affect the ADC accuracy. The ADC accuracy parameters may be also impacted exceeding the ADC maximum input voltage V_{IN1} or V_{IN2} .
5. Results in manufacturing test mode.
6. Data aligned with trimming voltage parameters.
7. Gain error evaluation with the two point method.
8. Temperature operating range: $0 \text{ }^\circ\text{C} \leq T_A \leq 85 \text{ }^\circ\text{C}$.
9. Temperature operating range: $-25 \text{ }^\circ\text{C} \leq T_A \leq 105 \text{ }^\circ\text{C}$.
10. Temperature operating range: $-40 \text{ }^\circ\text{C} \leq T_A \leq 105 \text{ }^\circ\text{C}$.
11. Product depending.

ADC equivalent input circuit

Figure 34 shows the ADC equivalent input circuit.

Figure 34. ADC equivalent input circuit



Note:

Gain x1 ADC input analog voltage range is from 0 up to 1.25 V.

Gain x4 ADC input analog voltage range is from 0 up to 312.5 mV (product depending).

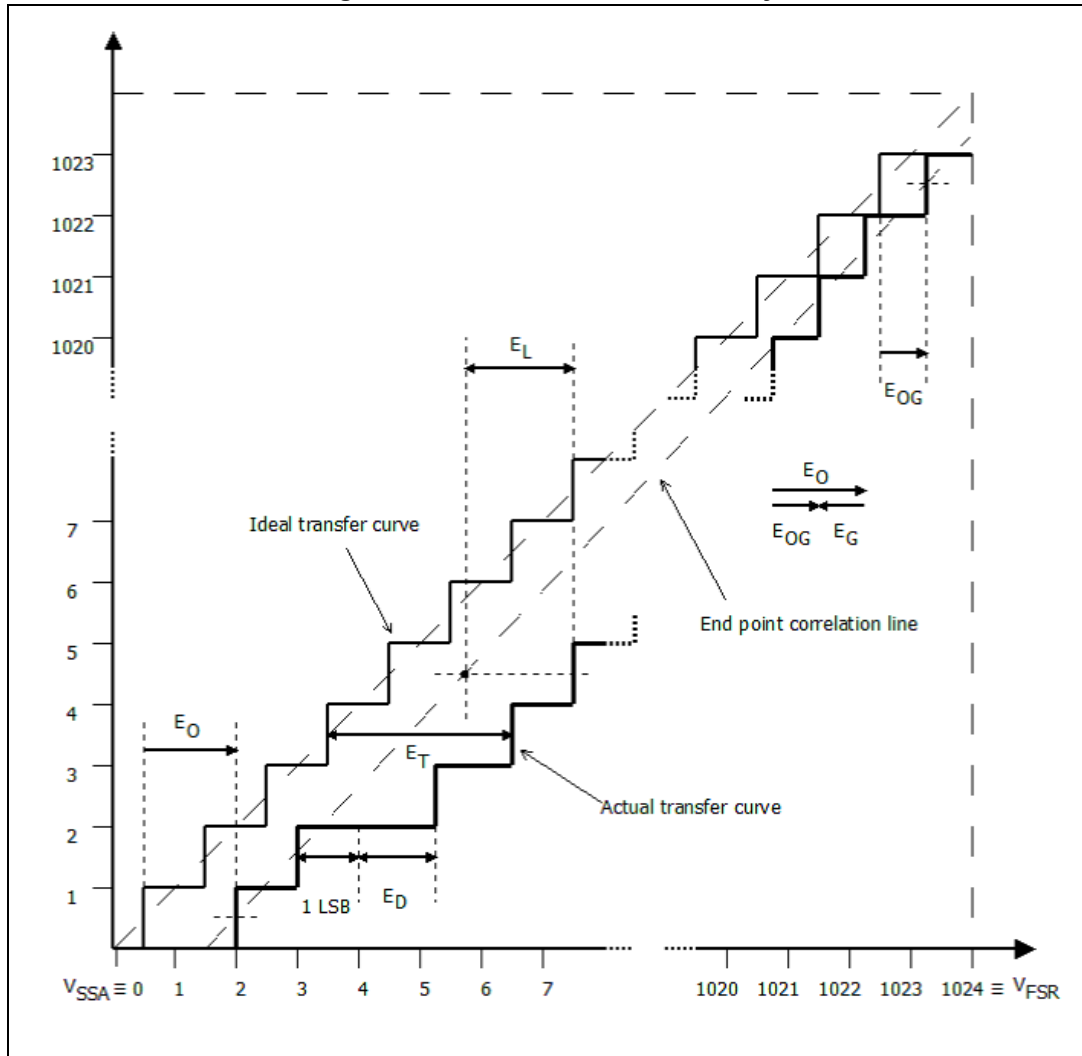
Maximum input analog voltage cannot exceed VDDA.

ADC input impedance > 1 M Ω .

The ADCIN [7:0] input pins (if available) are provided by the ESD protection diodes.

ADC conversion accuracy

Figure 35. ADC conversion accuracy



ADC accuracy parameter definitions:

- E_T = total unadjusted error: maximum deviation between the actual and the ideal transfer curves.
- E_O = offset error: deviation between the first actual transition and the first ideal one.
- E_{OG} = offset + gain error (1-point gain): deviation between the last ideal transition and the last actual one.
- E_G = gain error (2-point gain): defined so that $E_{OG} = E_O + E_G$ (parameter correlated to the deviation of the characteristic slope).
- E_D = differential linearity error: maximum deviation between actual steps and the ideal one.
- E_L = integral linearity error: maximum deviation between any actual transition and the end-point correlation line.

12.3.11 Analog comparator characteristics

Table 91. Analog comparator characteristics⁽¹⁾

| Symbol | Parameter | Conditions | Min. ⁽²⁾ | Typ. | Max. ⁽²⁾ | Unit |
|---------------------|---|----------------------------------|---------------------|------|--------------------------|------|
| V _{CPP} | Comparator input voltage range | -40 °C ≤ T _A ≤ 105 °C | 0 | | 1.23 ⁽³⁾ | V |
| V _{CPM3} | Comparator 3 external input voltage range | | 0 | | 1.23 ^{(3), (4)} | V |
| C _{IN} | Input capacitance | | | 3 | | pF |
| V _{offset} | Comparator offset error | | | | 15 | mV |
| t _{COMP} | Comparison delay time | | | | 50 ^{(5), (6)} | ns |

1. The comparator logic accuracy parameters may be also impacted exceeding the VCPP and VCPM3 maximum input voltage.
2. Data based on characterization results, not tested in production.
3. Maximum analog input voltage cannot exceed V_{DDA}.
4. The comparator 3 can be configured with the external reference voltage signal CPM3.
5. The overdrive voltage is ± 50 mV.
6. This parameter doesn't consider the delay time of comparator signal synchronization stages and SMED logic.

12.3.12 DAC characteristics

Table 92. DAC characteristics

| Symbol | Parameter | Conditions | Min. ⁽¹⁾ | Typ. | Max. ⁽¹⁾ | Unit |
|-------------------------|------------------------|----------------------------------|---------------------|------|-------------------------|------|
| N | Resolution | -40 °C ≤ T _A ≤ 105 °C | | 4 | | bit |
| V _{full scale} | DAC full scale | | 1.2 | | 1.26 | V |
| V _{offset} | DAC offset | | | | 4 | mV |
| V _{dac} | DAC out voltage | | V _{offset} | | V _{full scale} | mV |
| LSB | | | | 82 | | mV |
| INL | Integral non linearity | | | | 0.12 | LSB |

1. Data based on characterization results, not tested in production.

Equation 5

$$n[0,15]: V_{dac}(n) = \frac{(V_{fullscale} - V_{offset})}{15} \times (n) + V_{offset}$$

Equation 6

$$n[1 - 14]: V_{dac}(n) = \frac{(V_{fullscale} - V_{offset})}{15} \times (n + INL) + V_{offset}$$

where:

- $V_{fullscale} = V_{fullscale}$ (sample, T)
- $V_{offset} = V_{offset}$ (sample, T)
- $INL = INL$ (sample, n)

12.4 EMC characteristics

12.4.1 Electrostatic discharge (ESD)

Electrostatic discharges (3 positive then 3 negative pulses separated by 1 second) are applied to the pins of each sample according to each pin combination. The sample size depends on the number of supply pins in the device (3 parts * (n + 1) supply pin).

Table 93. ESD absolute maximum ratings

| Symbol | Ratings | Conditions | Maximum value | Unit |
|----------------|---|--|---------------|------|
| $V_{ESD(HBM)}$ | Electrostatic discharge voltage (human body model) | $T_A = 25\text{ °C}$, conforming to JEDEC/JESD22-A114E | 2000 | V |
| $V_{ESD(CDM)}$ | Electrostatic discharge voltage (charge device model) | $T_A = 25\text{ °C}$, conforming to ANSI/ESD STM 5.3.1 ESDA | 500 | |
| $V_{ESD(MM)}$ | Electrostatic discharge voltage (machine model) | $T_A = 25\text{ °C}$, conforming to JEDEC/JESD-A115-A | 200 | |

Data based on characterization results, not tested in production.

12.4.2 Static latch-up

Two complementary static tests are required on 10 parts to assess the latch-up performance.

A supply overvoltage (applied to each power supply pin) and a current injection (applied to each input, output and configurable I/O pin) are performed on each sample. This test conforms to the EIA/JESD 78 IC latch-up standard.

Table 94. Electrical sensitivity

| Symbol | Parameter | Conditions | Level |
|--------|-----------------------|-----------------------|-------|
| LU | Static latch-up class | $T_A = 105\text{ °C}$ | A |

13 Thermal characteristics

STLUX functionality cannot be guaranteed when the device operating exceeds the maximum chip junction temperature (T_{Jmax}).

T_{Jmax} , in degrees Celsius, may be calculated using [Equation 7](#):

Equation 7

$$T_{Jmax} = T_{Amax} + P_{Dmax} \times \Theta_{JA}$$

where:

T_{Amax} is the maximum ambient temperature in °C

Θ_{JA} is the package junction to ambient thermal resistance in °C/W

P_{Dmax} is the sum of P_{INTmax} and $P_{I/Omax}$ ($P_{Dmax} = P_{INTmax} + P_{I/Omax}$)

P_{INTmax} is the product of I_{DD} and V_{DD} , expressed in watts. This is the maximum chip internal power.

$P_{I/Omax}$ represents the maximum power dissipation on output pins where:

$$P_{I/Omax} = \Sigma(V_{OL} * I_{OL}) + \Sigma [(V_{DD} - V_{OH}) * I_{OH}],$$

taking into account the actual V_{OL}/I_{OL} and V_{OH}/I_{OH} of the I/Os at low and high level.

Table 95. Package thermal characteristics

| Symbol | Parameter | Value | Unit |
|---------------|--|-------|------|
| Θ_{JA} | TSSOP38 - Thermal resistance junction to ambient ⁽¹⁾ | 80 | °C/W |
| Θ_{JA} | VFQFPN32 - Thermal resistance junction to ambient ⁽¹⁾ | 26 | °C/W |
| Θ_{JA} | TSSOP28 - Thermal resistance junction to ambient ⁽¹⁾ | 80 | °C/W |

1. Thermal resistance is based on the JEDEC JESD51-2 with the 4-layer PCB in a natural convection environment.

14 Package information

In order to meet environmental requirements, ST offers these devices in different grades of ECOPACK® packages, depending on their level of environmental compliance. ECOPACK® specifications, grade definitions and product status are available at: www.st.com. ECOPACK® is an ST trademark.

14.1 TSSOP38 package information

Figure 36. TSSOP38 package outline

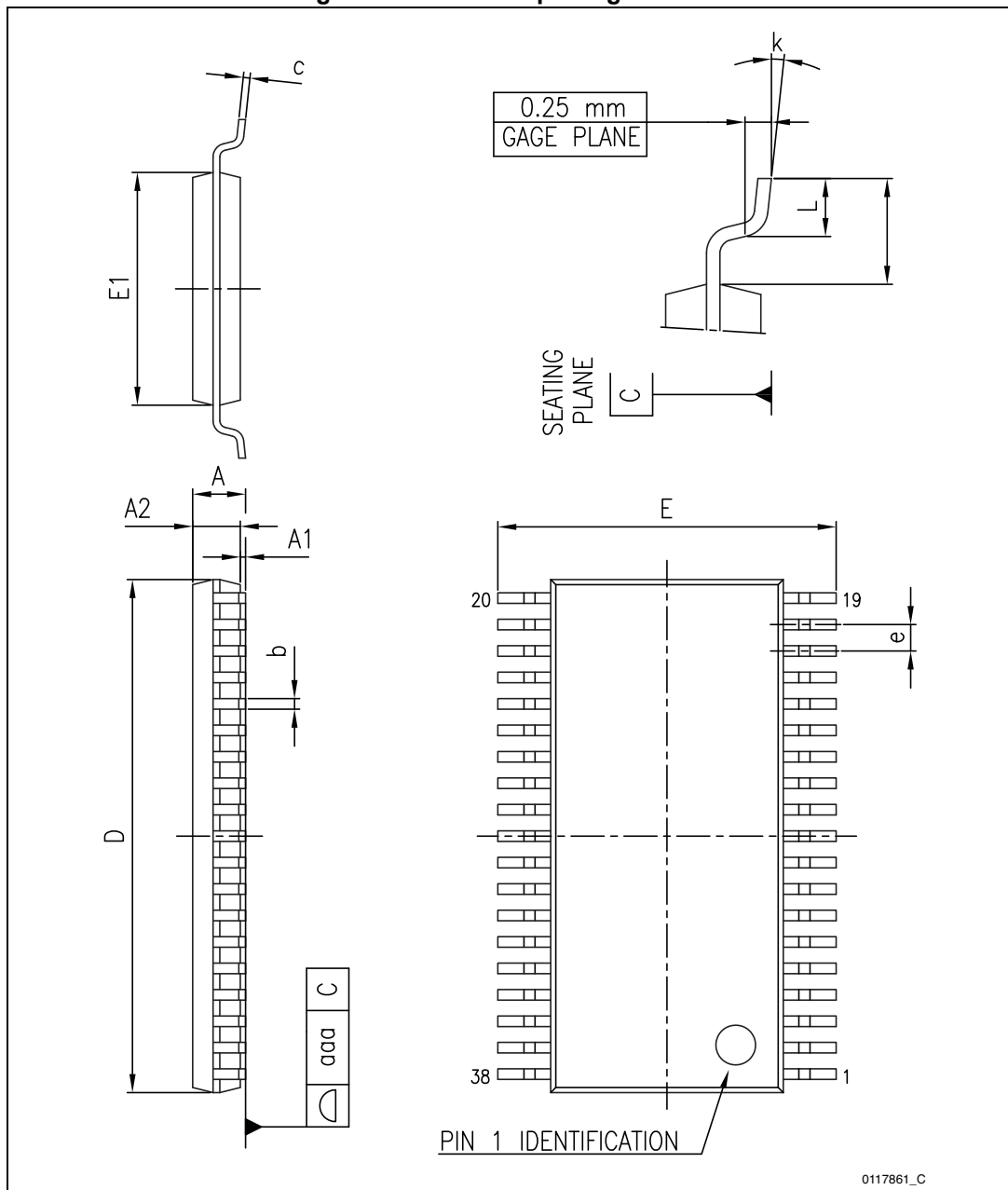


Table 96. TSSOP38 package mechanical data⁽¹⁾

| Symbol | Dimensions (mm) | | |
|-------------------|-----------------|------|------|
| | Min. | Typ. | Max. |
| A | | | 1.20 |
| A1 | 0.05 | | 0.15 |
| A2 | 0.80 | 1.00 | 1.05 |
| b | 0.17 | | 0.27 |
| c | 0.09 | | 0.20 |
| D ⁽²⁾ | 9.60 | 9.70 | 9.80 |
| E | 6.20 | 6.40 | 6.60 |
| E1 ⁽²⁾ | 4.30 | 4.40 | 4.50 |
| e | | 0.50 | |
| L | 0.45 | 0.60 | 0.75 |
| L1 | | 1.00 | |
| k | 0 | | 8 |
| aaa | | | 0.10 |

1. TSSOP stands for "Thin Shrink Small Outline Package".
2. Dimensions "D" and "E1" do not include the mold flash or protrusions. The mold flash or protrusions shall not exceed 0.15 mm per side.

14.2 VFQFPN32 package information

Figure 37. VFQFPN32 package outline

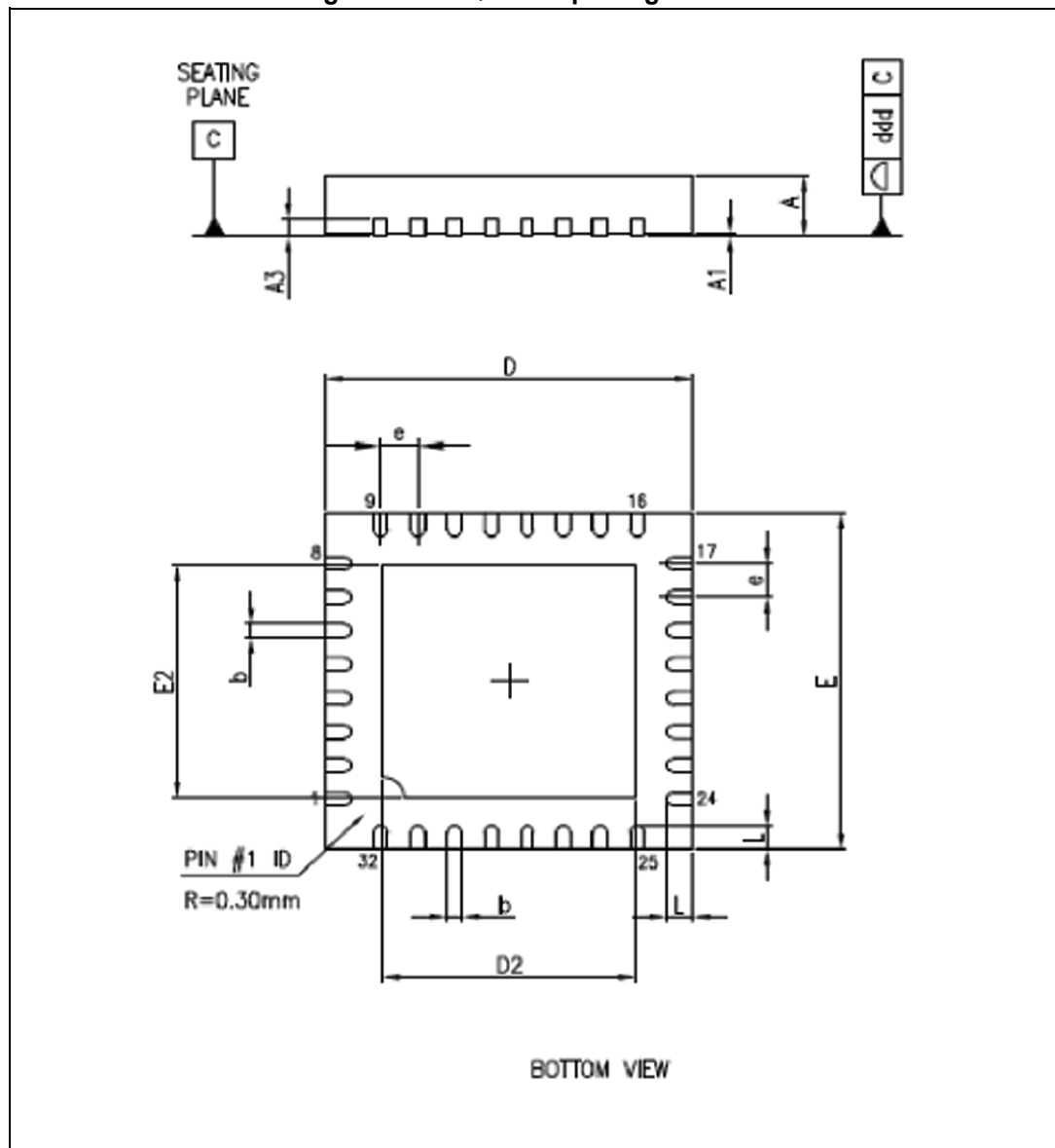


Table 97. VFQFPN32 package mechanical data⁽¹⁾

| Symbol | Dimensions (mm) | | |
|--------|-----------------|------|------|
| | Min. | Typ. | Max. |
| A | 0.80 | 0.90 | 1.00 |
| A1 | 0 | 0.02 | 0.05 |
| A3 | | 0.20 | |
| b | 0.18 | 0.25 | 0.30 |
| D | 4.85 | 5.00 | 5.15 |
| D2 | 3.40 | 3.45 | 3.50 |
| E | 4.85 | 5.00 | 5.15 |
| E2 | 3.40 | 3.45 | 3.50 |
| e | | 0.50 | 0.55 |
| L | 0.30 | 0.40 | 0.50 |
| ddd | | | 0.08 |

1. VFQFPN stands for "Thermally Enhanced Very thin Fine pitch Quad Flat Package No lead".

Very thin profile: $0.80 \leq A \leq 1.00$ mm.

Details of the terminal 1 are optional but must be located on the top surface of the package by using either a mold or marked features.

Package outline exclusive of any mold flash dimensions and metal burrs.

14.3 TSSOP28 package information

Figure 38. TSSOP28 package outline

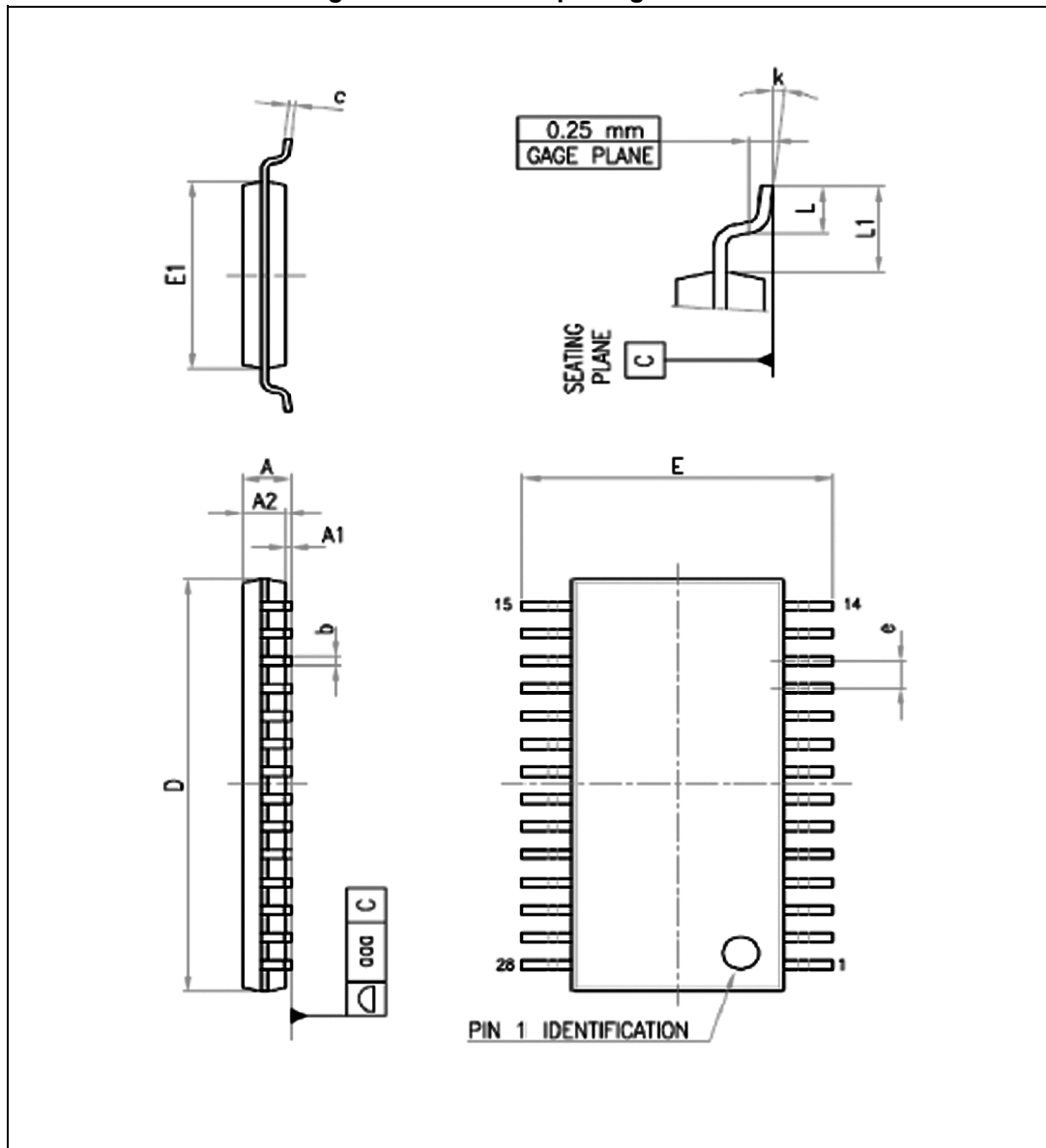


Table 98. TSSOP28 package mechanical data⁽¹⁾

| Symbol | Dimensions (mm) | | |
|-------------------|-----------------|------|------|
| | Min. | Typ. | Max. |
| A | | | 1.20 |
| A1 | 0.05 | | 0.15 |
| A2 | 0.80 | 1.00 | 1.05 |
| b | 0.19 | | 0.30 |
| c | 0.09 | | 0.20 |
| D ⁽²⁾ | 9.60 | 9.70 | 9.80 |
| E | 6.20 | 6.40 | 6.60 |
| E1 ⁽³⁾ | 4.30 | 4.40 | 4.50 |
| e | | 0.65 | |
| L | 0.45 | 0.60 | 0.75 |
| L1 | | 1.00 | |
| k | 0 | | 8 |
| aaa | | | 0.10 |

1. TSSOP stands for "Thin Shrink Small Outline Package".
2. Dimension "D" does not include mold flash, protrusions or gate burrs. Mold flash, protrusions or gate burrs shall not exceed 0.15 mm per side.
3. Dimension "E1" does not include interlead flash or protrusions. Interlead flash or protrusions shall not exceed 0.25 mm per side.

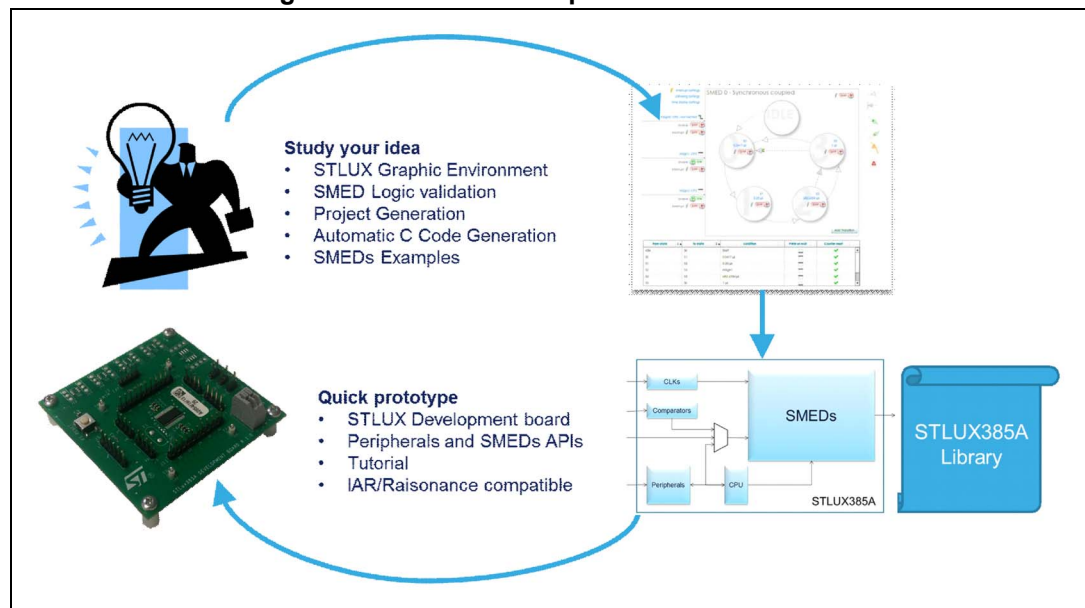
15 STLUX development environment

The STLUX385A development environment is a suite of tools that helps developing applications guiding the user through the whole prototyping process, from the initial idea to the on-board proof of concept. It also helps beginners facing to the STLUX385A technology to get familiar with it and start developing applications as soon as possible. Analogue and system engineers can easily model the application and state machines (SMED) behavior bypassing the need to generate software code.

The development environment is composed of the following tools:

- Peripheral libraries: open source drivers necessary to drive each hardware block.
- Examples software: set of software and hardware examples showing how to exploit the SMEDs functionality.
- Development board: board featuring STLUX and exposing all pins for external easy access. Order code: STEVAL-ILL068V1.
- SMED configurator: powerful graphical tool which enables the user to interact directly with the SMED without any software.
- Compiler: STLUX supports 2 compilers: IAR Embedded Workbench® and Raisonance Ride7.
 - IAR Embedded Workbench. The IAR Embedded Workbench IAR-EWSTM8 is a software development tool with highly optimizing the C and C++ compiler for the STM8 CPU device. The workbench supports the ST-LINK and STIce debug probes using the SWIM interface (USB/SWIM).
 - Raisonance with the C compiler and the integrated development environment (Ride7), which provides start-to-finish control of application development including the code editing, compilation, optimization and debugging.
 - The Ride7 supports the RLink in-circuit debugger/programmer using the SWIM interface (USB/SWIM).

Figure 39. STLUX development tools workflow



16 Order codes

Table 99. Ordering information

| Order code | Package | Packaging |
|-------------|----------|---------------|
| STLUX385A | TSSOP38 | Tube |
| STLUX385ATR | | Tape and reel |
| STLUX383A | TSSOP38 | Tube |
| STLUX383ATR | | Tape and reel |
| STLUX325A | VFQFPN32 | Tube |
| STLUX325ATR | | Tape and reel |
| STLUX285A | TSSOP28 | Tube |
| STLUX285ATR | | Tape and reel |

17 Revision history

Table 100. Document revision history

| Date | Revision | Changes |
|-------------|----------|------------------|
| 13-May-2015 | 1 | Initial release. |

IMPORTANT NOTICE – PLEASE READ CAREFULLY

STMicroelectronics NV and its subsidiaries ("ST") reserve the right to make changes, corrections, enhancements, modifications, and improvements to ST products and/or to this document at any time without notice. Purchasers should obtain the latest relevant information on ST products before placing orders. ST products are sold pursuant to ST's terms and conditions of sale in place at the time of order acknowledgement.

Purchasers are solely responsible for the choice, selection, and use of ST products and ST assumes no liability for application assistance or the design of Purchasers' products.

No license, express or implied, to any intellectual property right is granted by ST herein.

Resale of ST products with provisions different from the information set forth herein shall void any warranty granted by ST for such product.

ST and the ST logo are trademarks of ST. All other product or service names are the property of their respective owners.

Information in this document supersedes and replaces information previously supplied in any prior versions of this document.

© 2015 STMicroelectronics – All rights reserved



Стандарт Электрон Связь

Мы молодая и активно развивающаяся компания в области поставок электронных компонентов. Мы поставляем электронные компоненты отечественного и импортного производства напрямую от производителей и с крупнейших складов мира.

Благодаря сотрудничеству с мировыми поставщиками мы осуществляем комплексные и плановые поставки широчайшего спектра электронных компонентов.

Собственная эффективная логистика и склад в обеспечивает надежную поставку продукции в точно указанные сроки по всей России.

Мы осуществляем техническую поддержку нашим клиентам и предпродажную проверку качества продукции. На все поставляемые продукты мы предоставляем гарантию .

Осуществляем поставки продукции под контролем ВП МО РФ на предприятия военно-промышленного комплекса России , а также работаем в рамках 275 ФЗ с открытием отдельных счетов в уполномоченном банке. Система менеджмента качества компании соответствует требованиям ГОСТ ISO 9001.

Минимальные сроки поставки, гибкие цены, неограниченный ассортимент и индивидуальный подход к клиентам являются основой для выстраивания долгосрочного и эффективного сотрудничества с предприятиями радиоэлектронной промышленности, предприятиями ВПК и научно-исследовательскими институтами России.

С нами вы становитесь еще успешнее!

Наши контакты:

Телефон: +7 812 627 14 35

Электронная почта: sales@st-electron.ru

Адрес: 198099, Санкт-Петербург,
Промышленная ул, дом № 19, литера Н,
помещение 100-Н Офис 331