

### FEATURES

- RF bandwidth to 6.1 GHz
- 25-bit fixed modulus allows subhertz frequency resolution
- Frequency and phase modulation capability
- Sawtooth and triangular waveforms in the frequency domain
- Parabolic ramp
- Ramp superimposed with FSK
- Ramp with 2 different sweep rates
- Ramp delay
- Ramp frequency readback
- Ramp interruption
- 2.7 V to 3.3 V power supply
- Separate  $V_P$  allows extended tuning voltage
- Programmable charge pump currents
- 3-wire serial interface
- Digital lock detect
- Power-down mode
- Cycle slip reduction for faster lock times
- Switched bandwidth fast-lock mode

### APPLICATIONS

- FMCW radar
- Communications test equipment

### GENERAL DESCRIPTION

The ADF4158 is a 6.1 GHz, fractional-N frequency synthesizer with modulation and waveform generation capability. It contains a 25-bit fixed modulus, allowing subhertz resolution at 6.1 GHz. It consists of a low noise digital phase frequency detector (PFD), a precision charge pump, and a programmable reference divider. There is a sigma-delta ( $\Sigma$ - $\Delta$ ) based fractional interpolator to allow programmable fractional-N division. The INT and FRAC registers define an overall N-divider as  $N = INT + (FRAC/2^{25})$ .

The ADF4158 can be used to implement frequency shift keying (FSK) and phase shift keying (PSK) modulation. There are also a number of frequency sweep modes available, which generate various waveforms in the frequency domain, for example, sawtooth and triangular waveforms. The ADF4158 features cycle slip reduction circuitry, which leads to faster lock times, without the need for modifications to the loop filter.

Control of all on-chip registers is via a simple 3-wire interface. The device operates with a power supply ranging from 2.7 V to 3.3 V and can be powered down when not in use.

### FUNCTIONAL BLOCK DIAGRAM

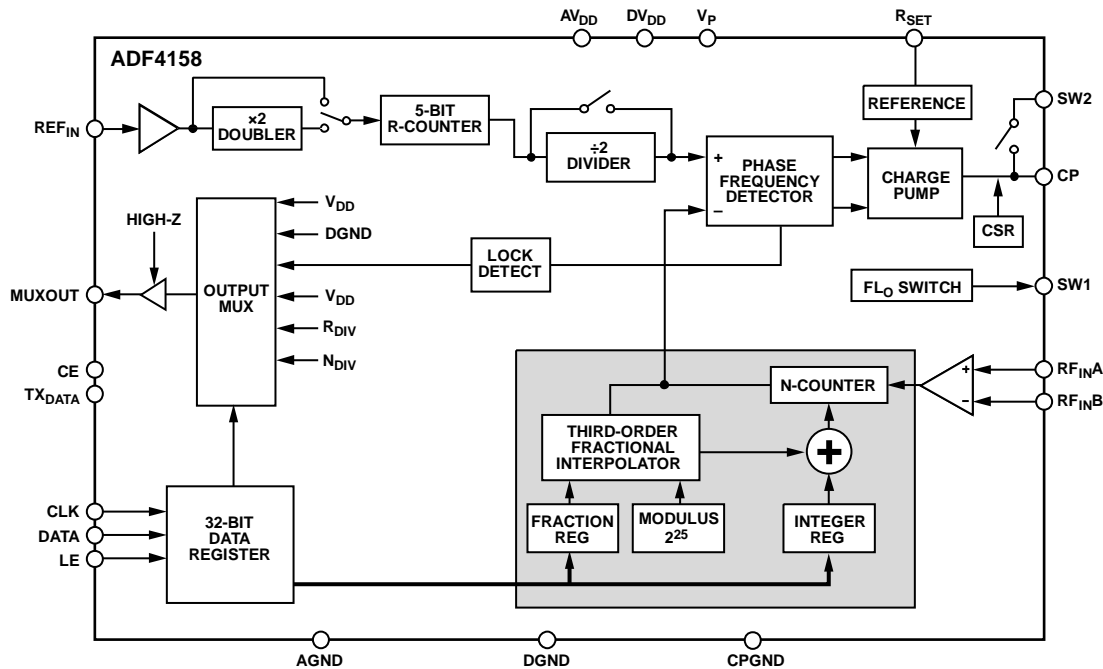


Figure 1.

08726-001

### Rev. 0

Information furnished by Analog Devices is believed to be accurate and reliable. However, no responsibility is assumed by Analog Devices for its use, nor for any infringements of patents or other rights of third parties that may result from its use. Specifications subject to change without notice. No license is granted by implication or otherwise under any patent or patent rights of Analog Devices. Trademarks and registered trademarks are the property of their respective owners.

## TABLE OF CONTENTS

Features .....	1	R-Divider Register (R2) Map .....	16
Applications.....	1	Function Register (R3) Map.....	18
General Description .....	1	Test Register (R4) Map .....	20
Functional Block Diagram .....	1	Deviation Register (R5) Map .....	21
Revision History .....	2	Step Register (R6) Map .....	22
Specifications.....	3	Delay Register (R7) Map .....	23
Timing Specifications .....	4	Applications Information .....	24
Absolute Maximum Ratings.....	6	Initialization Sequence.....	24
ESD Caution.....	6	RF Synthesizer: A Worked Example .....	24
Pin Configuration and Pin Function Descriptions.....	7	Reference Doubler and Reference Divider .....	24
Typical Performance Characteristics .....	8	Cycle Slip Reduction for Faster Lock Times .....	24
Circuit Description.....	10	Modulation.....	25
Reference Input Section.....	10	Waveform Generation .....	25
RF Input Stage.....	10	Additional Features .....	27
RF INT Divider.....	10	Fast-Lock Timer and Register Sequences .....	30
25-Bit Fixed Modulus .....	10	Fast Lock: An Example .....	30
INT, FRAC, and R Relationship .....	10	Fast Lock: Loop Filter Topology.....	30
R-Counter .....	10	Spur Mechanisms .....	31
Phase Frequency Detector (PFD) and Charge Pump.....	11	Low Frequency Applications .....	31
MUXOUT and LOCK Detect.....	11	Filter Design—ADIsimPLL.....	31
Input Shift Registers .....	11	PCB Design Guidelines for the Chip Scale Package .....	31
Program Modes .....	11	Application of ADF4158 in FMCW Radar .....	32
Register Maps .....	12	Outline Dimensions .....	33
FRAC/INT Register (R0) Map.....	14	Ordering Guide.....	33
LSB FRAC Register (R1) Map.....	15		

## REVISION HISTORY

4/10—Revision 0: Initial Version

## SPECIFICATIONS

$AV_{DD} = DV_{DD} = 2.7\text{ V}$  to  $3.3\text{ V}$ ,  $V_P = AV_{DD}$  to  $5.5\text{ V}$ ,  $AGND = DGND = 0\text{ V}$ ,  $T_A = T_{MIN}$  to  $T_{MAX}$ , dBm referred to  $50\ \Omega$ , unless otherwise noted.

**Table 1.**

Parameter	C Version <sup>1</sup>			Unit	Test Conditions/Comments
	Min	Typ	Max		
<b>RF CHARACTERISTICS</b>					
RF Input Frequency (RF <sub>IN</sub> )	0.5		6.1	GHz	–10 dBm min to 0 dBm max; for lower frequencies, ensure slew rate (SR) > 400 V/μs –15 dBm min to 0 dBm max for 2 GHz to 4 GHz RF input frequency
<b>REFERENCE CHARACTERISTICS</b>					
REF <sub>IN</sub> Input Frequency	10		260	MHz	For f < 10 MHz, use a dc-coupled CMOS-compatible square wave, slew rate > 25 V/μs
REF <sub>IN</sub> Input Sensitivity	0.4		16	MHz	If an internal reference doubler is enabled Biased at $AV_{DD}/2^2$
REF <sub>IN</sub> Input Capacitance			10	pF	
REF <sub>IN</sub> Input Current			±100	μA	
<b>PHASE DETECTOR</b>					
Phase Detector Frequency <sup>3</sup>			32	MHz	
<b>CHARGE PUMP</b>					
I <sub>CP</sub> Sink/Source					Programmable
High Value		5		mA	With R <sub>SET</sub> = 5.1 kΩ
Low Value		312.5		μA	
Absolute Accuracy		2.5		%	With R <sub>SET</sub> = 5.1 kΩ
R <sub>SET</sub> Range	2.7		10	kΩ	
I <sub>CP</sub> Three-State Leakage Current		1		nA	Sink and source current
Matching		2		%	0.5 V < V <sub>CP</sub> < V <sub>P</sub> – 0.5 V
I <sub>CP</sub> vs. V <sub>CP</sub>		2		%	0.5 V < V <sub>CP</sub> < V <sub>P</sub> – 0.5 V
I <sub>CP</sub> vs. Temperature		2		%	V <sub>CP</sub> = V <sub>P</sub> /2
<b>LOGIC INPUTS</b>					
V <sub>INH</sub> , Input High Voltage	1.4			V	
V <sub>INL</sub> , Input Low Voltage			0.6	V	
I <sub>INH</sub> /I <sub>INL</sub> , Input Current			±1	μA	
C <sub>IN</sub> , Input Capacitance			10	pF	
<b>LOGIC OUTPUTS</b>					
V <sub>OH</sub> , Output High Voltage	1.4			V	Open-drain output chosen; 1 kΩ pull-up to 1.8 V
V <sub>OH</sub> , Output High Voltage	V <sub>DD</sub> – 0.4			V	CMOS output chosen
I <sub>OH</sub> , Output High Current			100	μA	
V <sub>OL</sub> , Output Low Voltage			0.4	V	I <sub>OL</sub> = 500 μA
<b>POWER SUPPLIES</b>					
AV <sub>DD</sub>	2.7		3.3	V	
DV <sub>DD</sub>		AV <sub>DD</sub>			
V <sub>P</sub>	AV <sub>DD</sub>		5.5	V	
I <sub>DD</sub>		23	32	mA	

# ADF4158

Parameter	C Version <sup>1</sup>			Unit	Test Conditions/Comments
	Min	Typ	Max		
NOISE CHARACTERISTICS					
Normalized Phase Noise Floor <sup>4</sup>		-213		dBc/Hz	@ VCO output
Phase Noise Performance <sup>5</sup> 5805 MHz Output <sup>6</sup>		-93		dBc/Hz	@ 5 kHz offset, 32 MHz PFD frequency

<sup>1</sup> Operating temperature for C version: -40°C to +125°C.

<sup>2</sup> AC-coupling ensures  $AV_{DD}/2$  bias.

<sup>3</sup> Guaranteed by design. Sample tested to ensure compliance.

<sup>4</sup> This figure can be used to calculate phase noise for any application. Use the formula  $-213 + 10 \log(f_{PFD}) + 20 \log N$  to calculate in-band phase noise performance as seen at the VCO output.

<sup>5</sup> The phase noise is measured with the EVAL-ADF4158EB1Z and the Agilent E5052A phase noise system.

<sup>6</sup>  $f_{REFIN} = 128$  MHz;  $f_{PFD} = 32$  MHz; offset frequency = 5 kHz;  $R_{FOUT} = 5805$  MHz; INT = 181; FRAC = 13631488; loop bandwidth = 100 kHz.

## TIMING SPECIFICATIONS

$AV_{DD} = DV_{DD} = SDV_{DD} = 2.7$  V to 3.3 V;  $V_P = AV_{DD}$  to 5.5 V;  $AGND = DGND = SDGND = 0$  V;  $T_A = T_{MIN}$  to  $T_{MAX}$ , dBm referred to 50  $\Omega$ , unless otherwise noted.

Table 2. Write Timing

Parameter	Limit at $T_{MIN}$ to $T_{MAX}$ (C Version)	Unit	Test Conditions/Comments
$t_1$	20	ns min	LE setup time
$t_2$	10	ns min	DATA to CLK setup time
$t_3$	10	ns min	DATA to CLK hold time
$t_4$	25	ns min	CLK high duration
$t_5$	25	ns min	CLK low duration
$t_6$	10	ns min	CLK to LE setup time
$t_7$	20	ns min	LE pulse width

### Write Timing Diagram

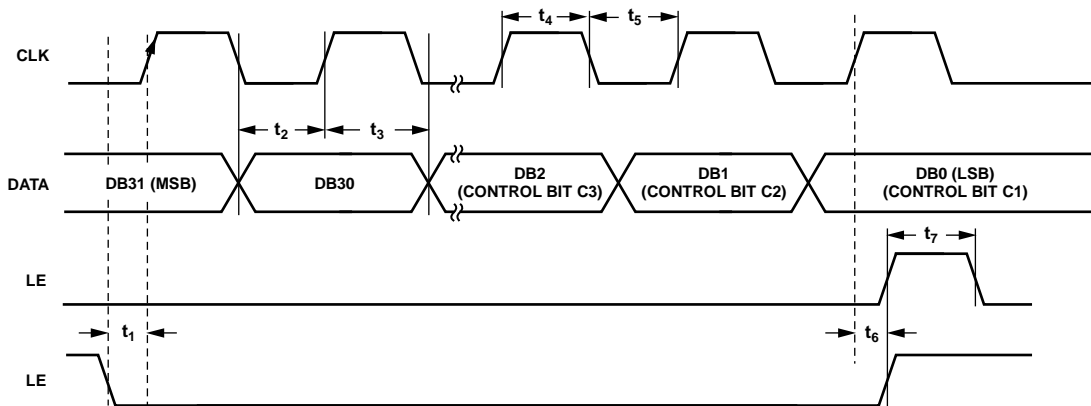


Figure 2. Write Timing Diagram

08728-026

Table 3. Read Timing

Parameter	Limit at T <sub>MIN</sub> to T <sub>MAX</sub> (C Version)	Unit	Test Conditions/Comments
t <sub>1</sub>	20	ns min	TX <sub>DATA</sub> setup time
t <sub>2</sub>	10	ns min	DATA (on MUXOUT) to CLK setup time
t <sub>3</sub>	10	ns min	DATA (on MUXOUT) to CLK hold time
t <sub>4</sub>	25	ns min	CLK high duration
t <sub>5</sub>	25	ns min	CLK low duration
t <sub>6</sub>	10	ns min	CLK to LE setup time

Read Timing Diagram

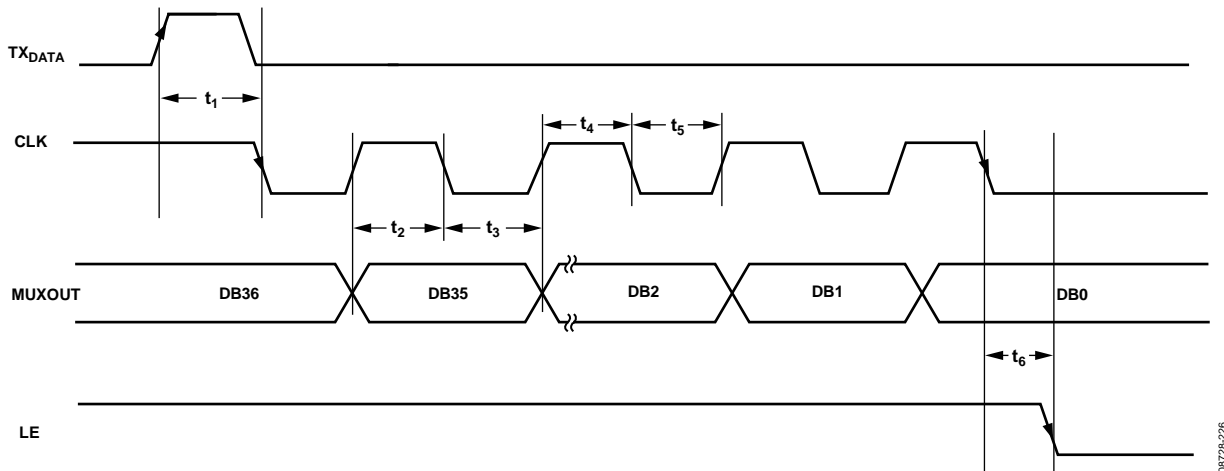


Figure 3. Read Timing Diagram

06729-226

## ABSOLUTE MAXIMUM RATINGS

$T_A = 25^\circ\text{C}$ ,  $\text{GND} = \text{AGND} = \text{DGND} = \text{SDGND} = 0\text{ V}$ ,  
 $V_{DD} = \text{AV}_{DD} = \text{DV}_{DD} = \text{SDV}_{DD}$ , unless otherwise noted.

**Table 4.**

Parameter	Rating
$V_{DD}$ to GND	-0.3 V to +4 V
$V_{DD}$ to $V_{DD}$	-0.3 V to +0.3 V
$V_P$ to GND	-0.3 V to +5.8 V
$V_P$ to $V_{DD}$	-0.3 V to +5.8 V
Digital I/O Voltage to GND	-0.3 V to $V_{DD} + 0.3\text{ V}$
Analog I/O Voltage to GND	-0.3 V to $V_{DD} + 0.3\text{ V}$
$\text{REF}_{IN}$ , $\text{RF}_{IN}$ to GND	-0.3 V to $V_{DD} + 0.3\text{ V}$
Operating Temperature Range	
Industrial (C Version)	-40°C to +125°C
Storage Temperature Range	-65°C to +125°C
Maximum Junction Temperature	150°C
LFCSP $\theta_{JA}$ Thermal Impedance (Paddle Soldered)	30.4°C/W
Reflow Soldering	
Peak Temperature	260°C
Time at Peak Temperature	40 sec

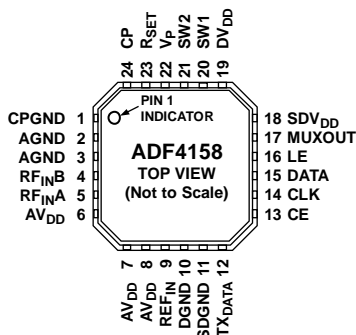
Stresses above those listed under Absolute Maximum Ratings may cause permanent damage to the device. This is a stress rating only; functional operation of the device at these or any other conditions above those indicated in the operational section of this specification is not implied. Exposure to absolute maximum rating conditions for extended periods may affect device reliability.

### ESD CAUTION



**ESD (electrostatic discharge) sensitive device.** Charged devices and circuit boards can discharge without detection. Although this product features patented or proprietary protection circuitry, damage may occur on devices subjected to high energy ESD. Therefore, proper ESD precautions should be taken to avoid performance degradation or loss of functionality.

## PIN CONFIGURATION AND PIN FUNCTION DESCRIPTIONS



- NOTES**  
 1. THE LFCSP HAS AN EXPOSED PADDLE THAT MUST BE CONNECTED TO GND.

Figure 4. LFCSP Pin Configuration

00728-003

Table 5. Pin Function Descriptions

Pin No.	Mnemonic	Description
1	CPGND	Charge Pump Ground. This is the ground return path for the charge pump.
2, 3	AGND	Analog Ground. This is the ground return path of the prescaler.
4	RF <sub>INB</sub>	Complementary Input to the RF Prescaler. Decouple this point to the ground plane with a small bypass capacitor, typically 100 pF.
5	RF <sub>INA</sub>	Input to the RF Prescaler. This small-signal input is normally ac-coupled from the VCO.
6, 7, 8	AV <sub>DD</sub>	Positive Power Supply for the RF Section. Place decoupling capacitors to the digital ground plane as close as possible to this pin. AV <sub>DD</sub> must have the same voltage as DV <sub>DD</sub> .
9	REF <sub>IN</sub>	Reference Input. This is a CMOS input with a nominal threshold of V <sub>DD</sub> /2 and an equivalent input resistance of 100 kΩ. It can be driven from a TTL or CMOS crystal oscillator, or it can be ac-coupled.
10	DGND	Digital Ground.
11	SDGND	Digital Σ-Δ Modulator Ground. Ground return path for the Σ-Δ modulator.
12	TX <sub>DATA</sub>	Tx Data Pin. Provide data to be transmitted in FSK or PSK mode on this pin.
13	CE	Chip Enable. A logic low on this pin powers down the device and puts the charge pump output into three-state mode.
14	CLK	Serial Clock Input. This serial clock is used to clock in the serial data to the registers. The data is latched into the shift register on the CLK rising edge. This input is a high impedance CMOS input.
15	DATA	Serial Data Input. The serial data is loaded MSB first with the three LSBs being the control bits. This input is a high impedance CMOS input.
16	LE	Load Enable, CMOS Input. When LE is high, the data stored in the shift registers is loaded into one of the eight latches, with the latch being selected using the control bits.
17	MUXOUT	Multiplexer Output. This pin allows either the RF lock detect, the scaled RF, or the scaled reference frequency to be accessed externally.
18	SDV <sub>DD</sub>	Power Supply Pin for the Digital Σ-Δ Modulator. This pin should be the same voltage as AV <sub>DD</sub> . Place decoupling capacitors to the ground plane as close as possible to this pin.
19	DV <sub>DD</sub>	Positive Power Supply for the Digital Section. Place decoupling capacitors to the digital ground plane as close as possible to this pin. DV <sub>DD</sub> must have the same voltage as AV <sub>DD</sub> .
20, 21	SW1, SW2	Switches for Fast Lock.
22	V <sub>P</sub>	Charge Pump Power Supply. This should be greater than or equal to V <sub>DD</sub> . In systems where V <sub>DD</sub> is 3 V, it can be set to 5.5 V and used to drive a VCO with a tuning range of up to 5.5 V.
23	R <sub>SET</sub>	Connecting a resistor between this pin and ground sets the maximum charge pump output current. The relationship between I <sub>CPmax</sub> and R <sub>SET</sub> is $I_{CPmax} = \frac{25.5}{R_{SET}}$ where: I <sub>CPmax</sub> = 5 mA. R <sub>SET</sub> = 5.1 kΩ.
24	CP	Charge Pump Output. When enabled, this provides ±I <sub>CP</sub> to the external loop filter, which in turn drives the external VCO.
25	EPAD	Exposed Paddle. The LFCSP has an exposed paddle that must be connected to GND.

## TYPICAL PERFORMANCE CHARACTERISTICS

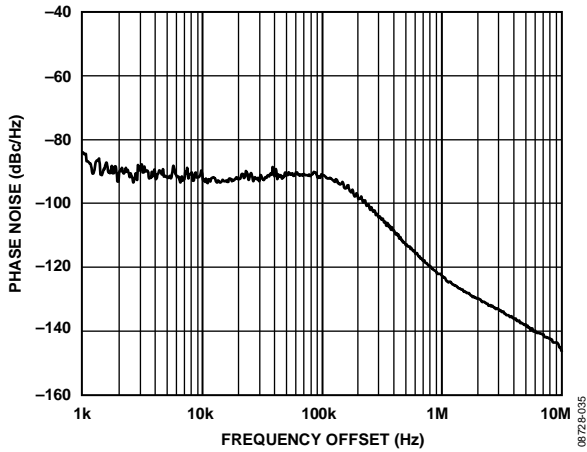


Figure 5. Phase Noise at 5805 MHz, PFD = 32 MHz, Loop Bandwidth = 100 kHz

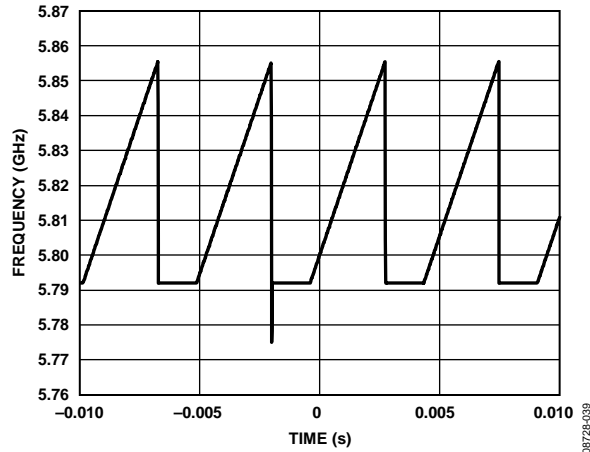


Figure 8. Delay Between Ramps for Sawtooth Waveform, PFD = 32 MHz, INT = 181, FRAC = 0, DEV Offset = 4, DEV Word = 20972, Step Word = 200, CLK DIV = 10, MOD Divider = 125, DEL Start Word = 1025

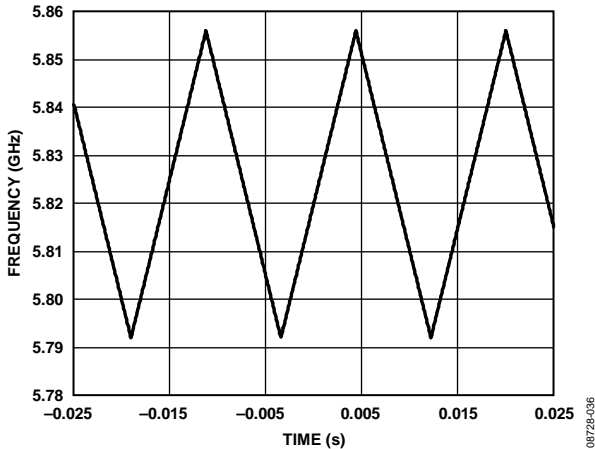


Figure 6. Triangular Waveform, PFD = 32 MHz, INT = 181, FRAC = 0, DEV Offset = 4, DEV Word = 20972, Step Word = 200, CLK DIV = 10, MOD Divider = 125

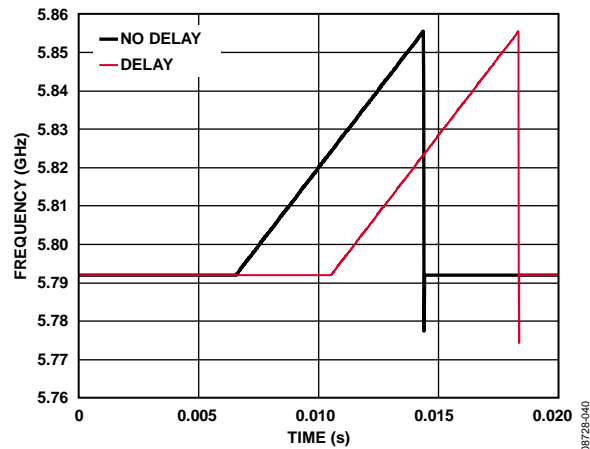


Figure 9. Delayed Start of Triangular Burst, PFD = 32 MHz, INT = 181, FRAC = 0, DEV Offset = 4, DEV Word = 20972, Step Word = 200, CLK DIV = 10, MOD Divider = 125, DEL Start Word = 1000

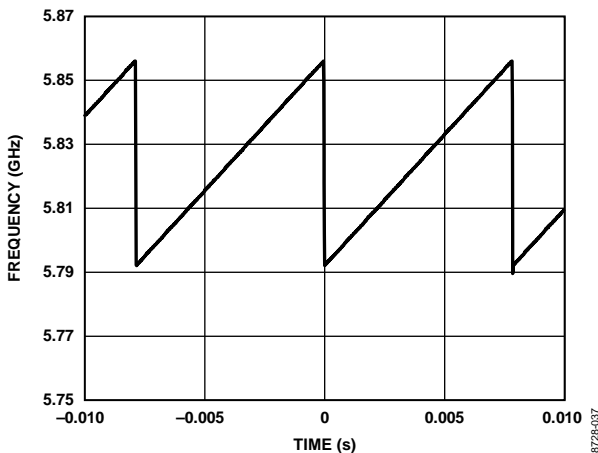


Figure 7. Sawtooth Waveform, PFD = 32 MHz, INT = 181, FRAC = 0, DEV Offset = 4, DEV Word = 20972, Step Word = 200, CLK DIV = 10, MOD Divider = 125

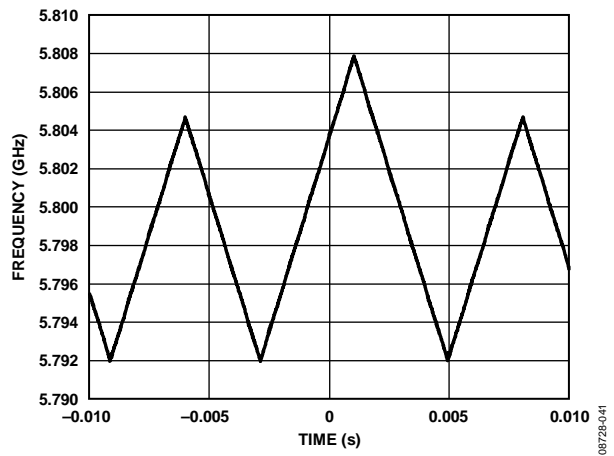


Figure 10. Dual Ramp Rate Waveform, PFD = 32 MHz, INT = 181, FRAC = 0, Ramp1: DEV Offset = 3, DEV Word = 16777, Step Word = 100, Ramp2: DEV Offset = 3, DEV Word = 20792, Step Word = 80



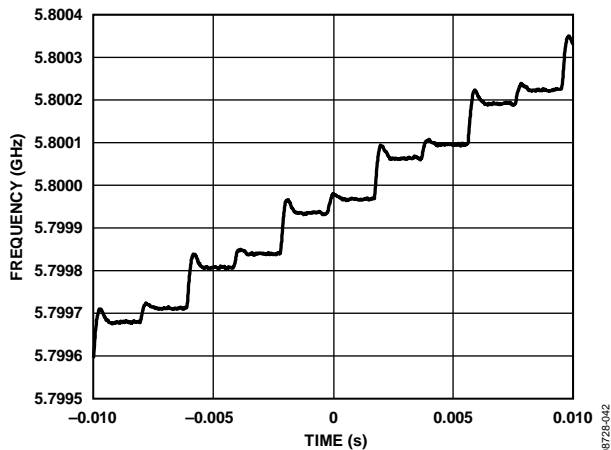


Figure 11. FSK Superimposed on Rising Edge of Triangular Waveform; Ramp Settings: PFD = 32 MHz, INT = 181, FRAC = 0, DEV Offset = 4, DEV Word = 20972, Step Word = 200, CLK DIV = 10, MOD Divider = 125; FSK Settings: DEV Offset = 3, DEV Word = 4194

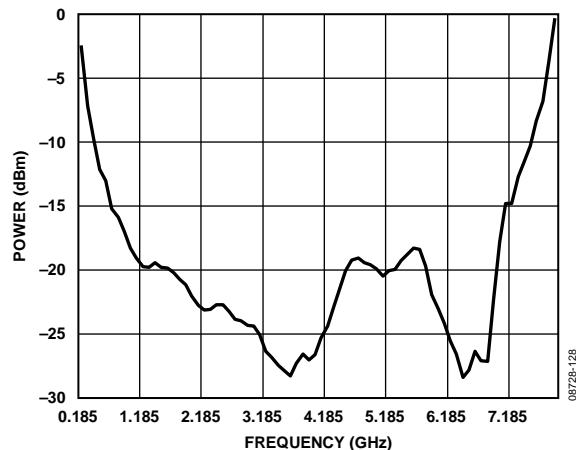


Figure 13. RF<sub>IN</sub> Sensitivity-Average Over Temperature and V<sub>DD</sub>

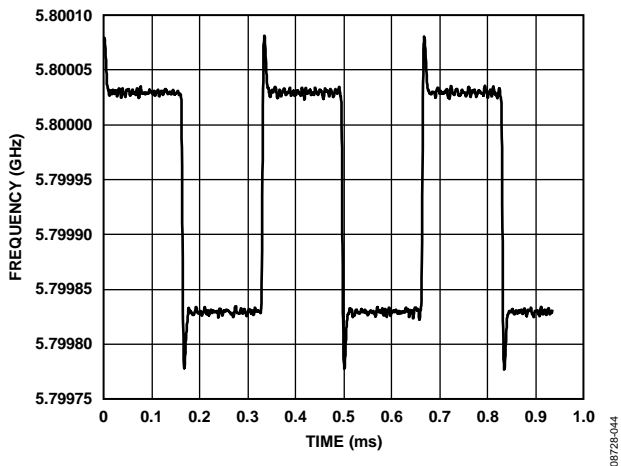


Figure 12. FSK; Settings: Frequency Deviation = 100 kHz, Data Rate = 3 kHz

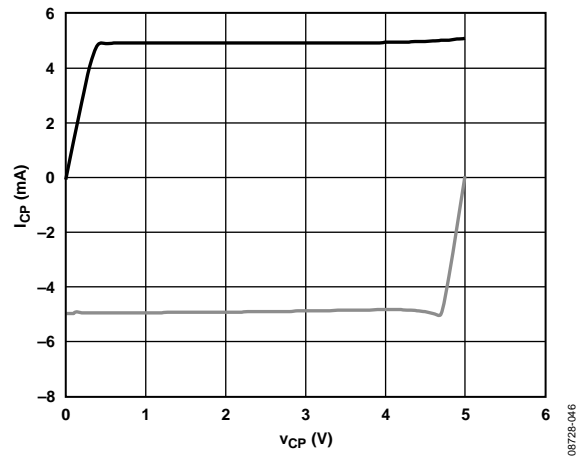


Figure 14. Charge Pump Output Characteristics

## CIRCUIT DESCRIPTION

### REFERENCE INPUT SECTION

The reference input stage is shown in Figure 15. SW1 and SW2 are normally closed switches. SW3 is normally open. When power-down is initiated, SW3 is closed and SW1 and SW2 are opened. This ensures that there is no loading of the REF<sub>IN</sub> pin on power-down.

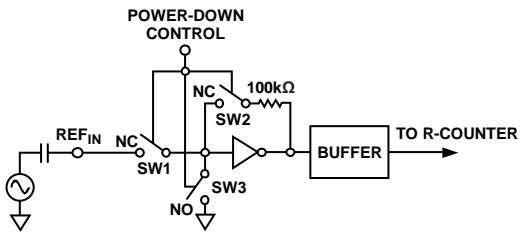


Figure 15. Reference Input Stage

### RF INPUT STAGE

The RF input stage is shown in Figure 16. It is followed by a 2-stage limiting amplifier to generate the current-mode logic (CML) clock levels needed for the prescaler.

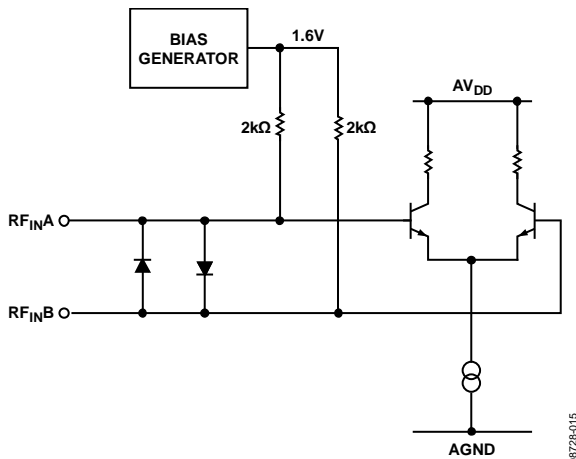


Figure 16. RF Input Stage

### RF INT DIVIDER

The RF INT CMOS counter allows a division ratio in the PLL feedback counter. Division ratios from 23 to 4095 are allowed.

### 25-BIT FIXED MODULUS

The ADF4158 has a 25-bit fixed modulus. This allows output frequencies to be spaced with a resolution of

$$f_{RES} = f_{PFD} / 2^{25} \quad (1)$$

where  $f_{PFD}$  is the frequency of the phase frequency detector (PFD). For example, with a PFD frequency of 10 MHz, frequency steps of 0.298 Hz are possible.

### INT, FRAC, AND R RELATIONSHIP

The INT and FRAC values, in conjunction with the R-counter, make it possible to generate output frequencies that are spaced by fractions of the phase frequency detector (PFD). The RF VCO frequency ( $R_{FOUT}$ ) equation is

$$R_{FOUT} = f_{PFD} \times (INT + (FRAC / 2^{25})) \quad (2)$$

where:

$R_{FOUT}$  is the output frequency of external voltage controlled oscillator (VCO).

INT is the preset divide ratio of binary 12-bit counter (23 to 4095).

FRAC is the numerator of the fractional division (0 to  $2^{25} - 1$ ).

$$f_{PFD} = REF_{IN} \times [(1 + D) / (R \times (1 + T))] \quad (3)$$

where:

$REF_{IN}$  is the reference input frequency.

D is the REF<sub>IN</sub> doubler bit.

T is the REF<sub>IN</sub> divide-by-2 bit (0 or 1).

R is the preset divide ratio of the binary, 5-bit, programmable reference counter (1 to 32).

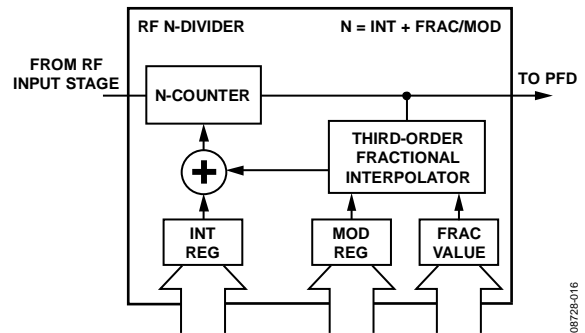


Figure 17. RF N-Divider

### R-COUNTER

The 5-bit R-counter allows the input reference frequency ( $REF_{IN}$ ) to be divided down to produce the reference clock to the PFD. Division ratios from 1 to 32 are allowed.

### PHASE FREQUENCY DETECTOR (PFD) AND CHARGE PUMP

The PFD takes inputs from the R-counter and N-counter and produces an output proportional to the phase and frequency difference between them. Figure 18 shows a simplified schematic of the PFD. The PFD includes a fixed delay element that sets the width of the antibacklash pulse, which is typically 3 ns. This pulse ensures that there is no dead zone in the PFD transfer function and gives a consistent reference spur level.

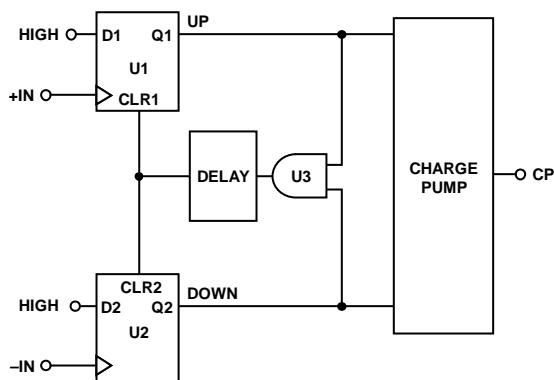


Figure 18. PFD Simplified Schematic

08728-017

### MUXOUT AND LOCK DETECT

The output multiplexer on the ADF4158 allows the user to access various internal points on the chip. The state of MUXOUT is controlled by the M4, M3, M2, and M1 bits (see Figure 22). Figure 19 shows the MUXOUT section in block diagram form.

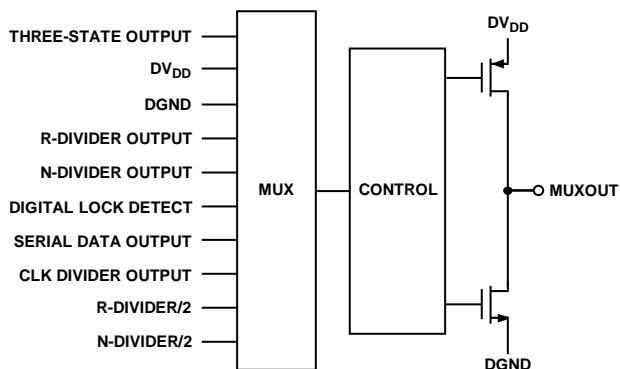


Figure 19. MUXOUT Schematic

08728-009

### INPUT SHIFT REGISTERS

The ADF4158 digital section includes a 5-bit RF R-counter, a 12-bit RF N-counter, and a 25-bit FRAC counter. Data is clocked into the 32-bit shift register on each rising edge of CLK. The data is clocked in MSB first. Data is transferred from the shift register to one of eight latches on the rising edge of LE. The destination latch is determined by the state of the three control bits (C3, C2, and C1) in the shift register. These are the three LSBs—DB2, DB1, and DB0—as shown in Figure 2. The truth table for these bits is shown in Table 6. Figure 20 and Figure 21 show a summary of how the latches are programmed.

### PROGRAM MODES

Table 6 and Figure 22 through Figure 29 show how to set up the program modes in the ADF4158.

Several settings in the ADF4158 are double buffered. These include the LSB fractional value, R-counter value, reference doubler, current setting, and RDIV2. This means that two events must occur before the part uses a new value for any of the double-buffered settings. First, the new value is latched into the device by writing to the appropriate register. Second, a new write must be performed on Register R0.

For example, updating the fractional value can involve a write to the 13 LSB bits in R1 and the 12 MSB bits in R0. R1 should be written to first, followed by the write to R0. The frequency change begins after the write to R0. Double buffering ensures that the bits written to in R1 do not take effect until after the write to R0.

Table 6. C3, C2, and C1 Truth Table

Control Bits			Register
C3	C2	C1	
0	0	0	R0
0	0	1	R1
0	1	0	R2
0	1	1	R3
1	0	0	R4
1	0	1	R5
1	1	0	R6
1	1	1	R7

## REGISTER MAPS

FRAC/INT REGISTER (R0)

RAMP ON	MUXOUT CONTROL					12-BIT INTEGER VALUE (INT)											12-BIT MSB FRACTIONAL VALUE (FRAC)								CONTROL BITS						
	DB31	DB30	DB29	DB28	DB27	DB26	DB25	DB24	DB23	DB22	DB21	DB20	DB19	DB18	DB17	DB16	DB15	DB14	DB13	DB12	DB11	DB10	DB9	DB8	DB7	DB6	DB5	DB4	DB3	DB2	DB1
R1	M4	M3	M2	M1	N12	N11	N10	N9	N8	N7	N6	N5	N4	N3	N2	N1	F25	F24	F23	F22	F21	F20	F19	F18	F17	F16	F15	F14	C3(0)	C2(0)	C1(0)

LSB FRAC REGISTER (R1)

RESERVED					13-BIT LSB FRACTIONAL VALUE (FRAC) (DBB)											RESERVED								CONTROL BITS							
DB31	DB30	DB29	DB28	DB27	DB26	DB25	DB24	DB23	DB22	DB21	DB20	DB19	DB18	DB17	DB16	DB15	DB14	DB13	DB12	DB11	DB10	DB9	DB8	DB7	DB6	DB5	DB4	DB3	DB2	DB1	DB0
0	0	0	0	F13	F12	F11	F10	F9	F8	F7	F6	F5	F4	F3	F2	F1	0	0	0	0	0	0	0	0	0	0	0	0	C3(0)	C2(0)	C1(1)

R-DIVIDER REGISTER (R2)

RESERVED			CSR EN	DBB				RESERVED	PRESCALER	RDIV2 DBB	REFERENCE DOUBLER DBB	DBB					12-BIT MOD DIVIDER								CONTROL BITS						
DB31	DB30	DB29		CP CURRENT SETTING	DB26	DB25	DB24					DB23	DB22	DB21	DB20	DB19	DB18	DB17	DB16	DB15	DB14	DB13	DB12	DB11	DB10	DB9	DB8	DB7	DB6	DB5	DB4
0	0	0	CR1	CPI4	CPI3	CPI2	CPI1	0	P1	U2	U1	R5	R4	R3	R2	R1	D12	D11	D10	D9	D8	D7	D6	D5	D4	D3	D2	D1	C3(0)	C2(1)	C1(1)

FUNCTION REGISTER (R3)

RESERVED																N SEL	SD RESET	RESERVED	RAMP MODE	PSK ENABLE	FSK ENABLE	LDP	PD POLARITY	POWER-DOWN	CP THREE-STATE COUNTER RESET	CONTROL BITS					
DB31	DB30	DB29	DB28	DB27	DB26	DB25	DB24	DB23	DB22	DB21	DB20	DB19	DB18	DB17	DB16											DB15	DB14	DB13	DB12	DB11	DB10
0	0	0	0	0	0	0	0	0	0	0	0	0	0	0	0	NS1	U12	0	0	RM2	RM1	PE1	FE1	U11	U10	U9	U8	U7	C3(0)	C2(1)	C1(1)

NOTES

1. DBB = DOUBLE-BUFFERED BIT(S).

Figure 20. Register Summary 1

06728-010

TEST REGISTER (R4)

LE SEL	RESERVED								READ-BACK TO MUXOUT	CLK DIV MODE	12-BIT CLOCK DIVIDER VALUE												RESERVED				CONTROL BITS				
	DB31	DB30	DB29	DB28	DB27	DB26	DB25	DB24			DB23	DB22	DB21	DB20	DB19	DB18	DB17	DB16	DB15	DB14	DB13	DB12	DB11	DB10	DB9	DB8	DB7	DB6	DB5	DB4	DB3
LS1	0	0	0	0	0	0	0	0	R2	R1	CK2	CK1	D12	D11	D10	D9	D8	D7	D6	D5	D4	D3	D2	D1	0	0	0	0	C3(1)	C2(0)	C1(0)

DEVIATION REGISTER (R5)

RESERVED	TX RAMP CLK	PAR RAMP	INTERRUPT	FSK RAMP EN	RAMP 2 EN	DEV SEL	4-BIT DEV OFFSET WORD	16-BIT DEVIATION WORD												CONTROL BITS											
								DB31	DB30	DB29	DB28	DB27	DB26	DB25	DB24	DB23	DB22	DB21	DB20	DB19	DB18	DB17	DB16	DB15	DB14	DB13	DB12	DB11	DB10	DB9	DB8
0	0	TR1	PR1	I2	I1	FRE1	R2E1	DS1	DO4	DO3	DO2	DO1	D16	D15	D14	D13	D12	D11	D10	D9	D8	D7	D6	D5	D4	D3	D2	D1	C3(1)	C2(0)	C1(1)

STEP REGISTER (R6)

RESERVED								STEP SEL	20-BIT STEP WORD																		CONTROL BITS				
DB31	DB30	DB29	DB28	DB27	DB26	DB25	DB24		DB23	DB22	DB21	DB20	DB19	DB18	DB17	DB16	DB15	DB14	DB13	DB12	DB11	DB10	DB9	DB8	DB7	DB6	DB5	DB4	DB3	DB2	DB1
0	0	0	0	0	0	0	0	SSE1	S20	S19	S18	S17	S16	S15	S14	S13	S12	S11	S10	S9	S8	S7	S6	S5	S4	S3	S2	S1	C3(1)	C2(1)	C1(0)

DELAY REGISTER (R7)

RESERVED												RAMP DEL FL	RAMP DEL	DEL CLK SEL	DEL START EN	12-BIT DELAY START DIVIDER												CONTROL BITS			
DB31	DB30	DB29	DB28	DB27	DB26	DB25	DB24	DB23	DB22	DB21	DB20					DB19	DB18	DB17	DB16	DB15	DB14	DB13	DB12	DB11	DB10	DB9	DB8	DB7	DB6	DB5	DB4
0	0	0	0	0	0	0	0	0	0	0	0	0	RDF1	RD1	DC1	DSE1	DS12	DS11	DS10	DS9	DS8	DS7	DS6	DS5	DS4	DS3	DS2	DS1	C3(1)	C2(1)	C1(1)

NOTES

1. DBB = DOUBLE-BUFFERED BIT(S).

Figure 21. Register Summary 2

08728-110

# ADF4158

## FRAC/INT REGISTER (R0) MAP

With Register R0 DB[2:0] set to [0, 0, 0], the on-chip FRAC/INT register is programmed as shown in Figure 22.

### Ramp On

Setting DB31 to 1 enables the ramp, setting DB31 to 0 disables the ramp.

### MUXOUT Control

The on-chip multiplexer is controlled by DB[30:27] on the ADF4158. See Figure 22 for the truth table.

### 12-Bit Integer Value (INT)

These 12 bits control what is loaded as the INT value. This is used to determine the overall feedback division factor. It is used in Equation 2. See the INT, FRAC, and R Relationship section for more information.

### 12-Bit MSB Fractional Value (FRAC)

These 12 bits, along with Bits DB[27:15] in the LSB FRAC register (Register R1), control what is loaded as the FRAC value into the fractional interpolator. This is part of what determines the overall feedback division factor. It is also used in Equation 2. These 12 bits are the most significant bits (MSB) of the 25-bit FRAC value, and Bits DB[27:15] in the LSB FRAC register (Register R1) are the least significant bits (LSB). See the RF Synthesizer: A Worked Example section for more information.

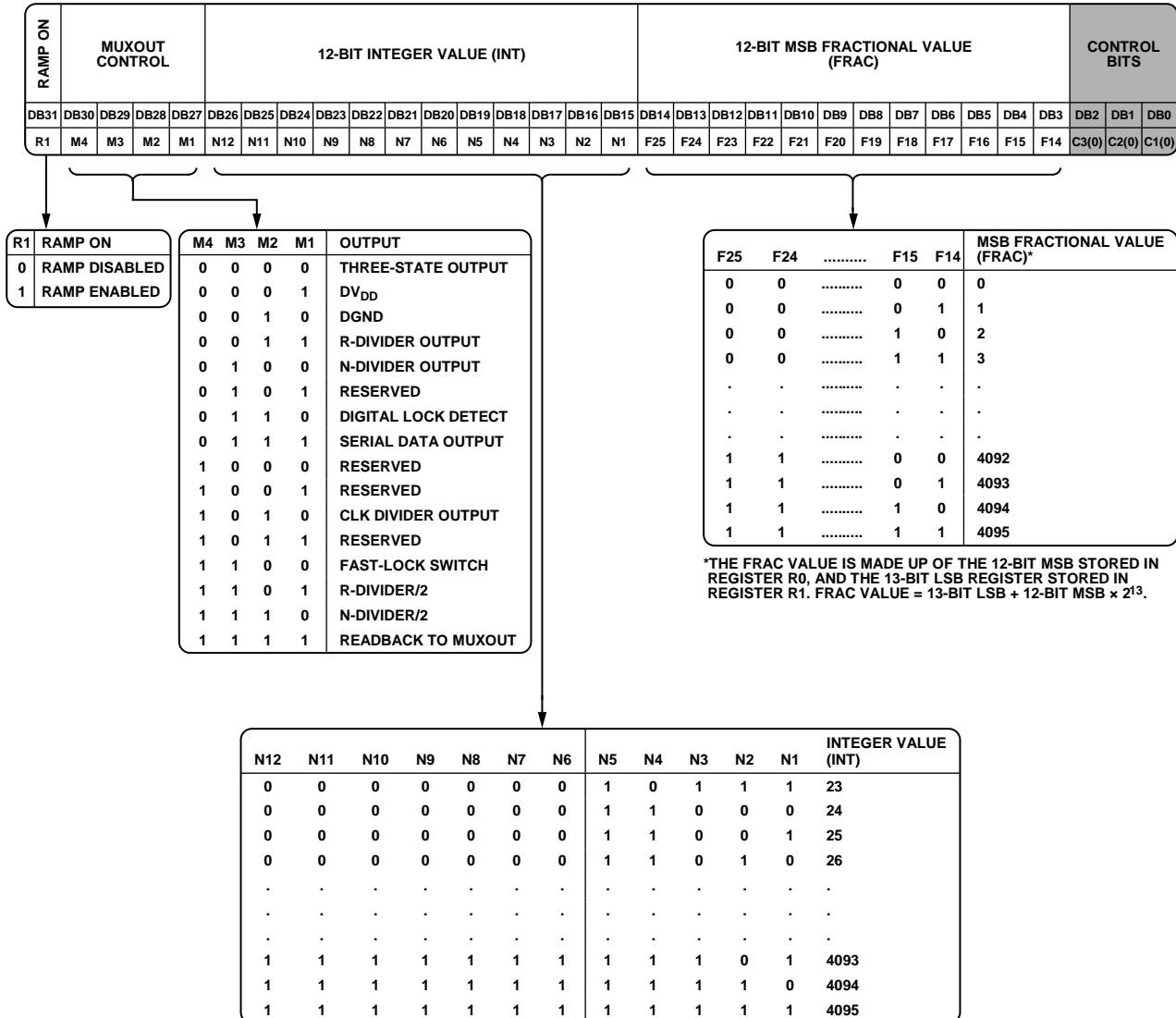


Figure 22. FRAC/INT Register (R0) Map

**LSB FRAC REGISTER (R1) MAP**

With Register R1 DB[2:0] set to [0, 0, 1], the on-chip LSB FRAC register is programmed as shown in Figure 23.

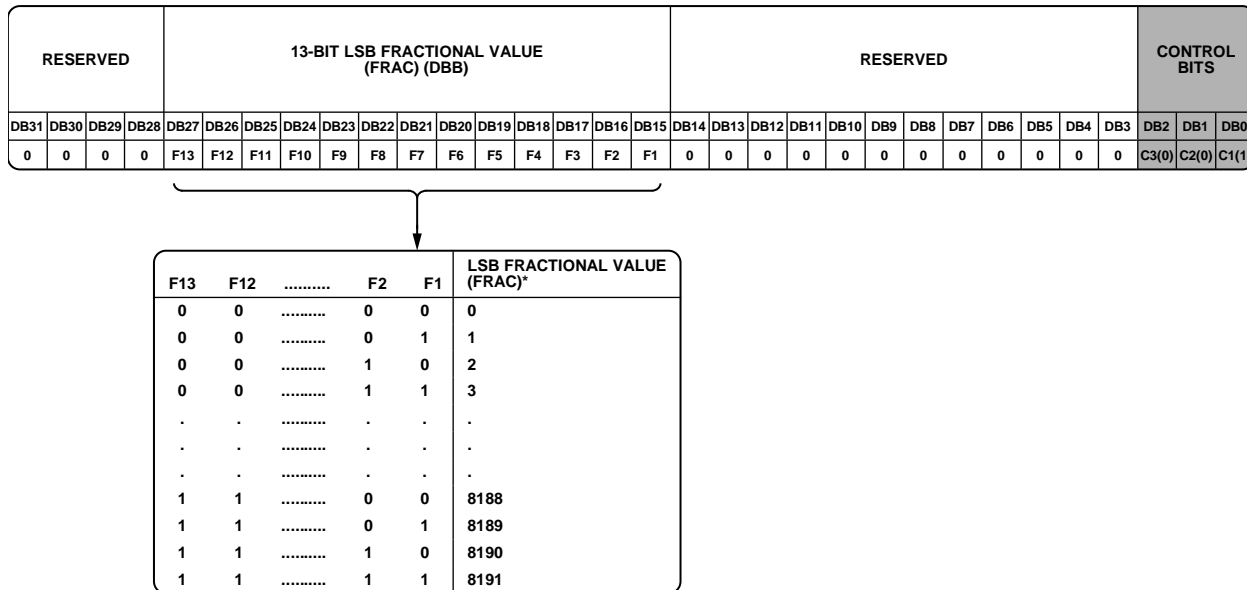
**13-Bit LSB FRAC Value**

These 13 bits, along with Bits DB[14:3] in the FRAC/INT register (Register R0), control what is loaded as the FRAC value into the fractional interpolator. This is part of what determines the overall feedback division factor. It is also used in Equation 2.

These 13 bits are the least significant bits (LSB) of the 25-bit FRAC value, and Bits DB[14:3] in the INT/FRAC register are the most significant bits (MSB). See the RF Synthesizer: A Worked Example section for more information.

**Reserved Bits**

All reserved bits should be set to 0 for normal operation.



\*THE FRAC VALUE IS MADE UP OF THE 12-BIT MSB STORED IN REGISTER R0, AND THE 13-BIT LSB REGISTER STORED IN REGISTER R1. FRAC VALUE = 13-BIT LSB + 12-BIT MSB x 2<sup>13</sup>.

- NOTES  
1. DBB = DOUBLE-BUFFERED BITS.

Figure 23. LSB FRAC Register (R1) Map

08728-012

## R-DIVIDER REGISTER (R2) MAP

With Register R2 DB[2:0] set to [0, 1, 0], the on-chip R-divider register is programmed as shown in Figure 24.

### Reserved Bits

All reserved bits should be set to 0 for normal operation.

### CSR Enable

Setting this bit to 1 enables cycle slip reduction. This is a method for improving lock times. Note that the signal at the PFD must have a 50% duty cycle in order for cycle slip reduction to work. In addition, the charge pump current setting must be set to a minimum. See the Cycle Slip Reduction for Faster Lock Times section for more information.

Also note that the cycle slip reduction feature can only be operated when the phase detector polarity setting is positive (DB6 in Register R3). It cannot be used if the phase detector polarity is set to negative.

### Charge Pump Current Setting

DB[27:24] set the charge pump current setting (see Figure 24). Set these bits to the charge pump current that the loop filter is designed with.

### Prescaler (P/P + 1)

The dual-modulus prescaler ( $P/P + 1$ ), along with the INT, FRAC, and MOD counters, determines the overall division ratio from the  $RF_{IN}$  to the PFD input.

Operating at CML levels, it takes the clock from the RF input stage and divides it down for the counters. It is based on a synchronous 4/5 core. When set to 4/5, the maximum RF frequency allowed is 3 GHz. Therefore, when operating the ADF4158 above 3 GHz, the prescaler must be set to 8/9. The prescaler limits the INT value.

With  $P = 4/5$ ,  $N_{MIN} = 23$ .

With  $P = 8/9$ ,  $N_{MIN} = 75$ .

### RDIV2

Setting DB21 to 1 inserts a divide-by-2 toggle flip-flop between the R-counter and the PFD. This can be used to provide a 50% duty cycle signal at the PFD for use with cycle slip reduction.

### Reference Doubler

Setting DB20 to 0 feeds the  $REF_{IN}$  signal directly to the 5-bit RF R-counter, disabling the doubler. Setting this bit to 1 multiplies the  $REF_{IN}$  frequency by a factor of 2 before feeding the signal into the 5-bit R-counter. When the doubler is disabled, the  $REF_{IN}$  falling edge is the active edge at the PFD input to the fractional synthesizer. When the doubler is enabled, both the rising edge and falling edge of  $REF_{IN}$  become active edges at the PFD input.

The maximum allowed  $REF_{IN}$  frequency when the doubler is enabled is 30 MHz.

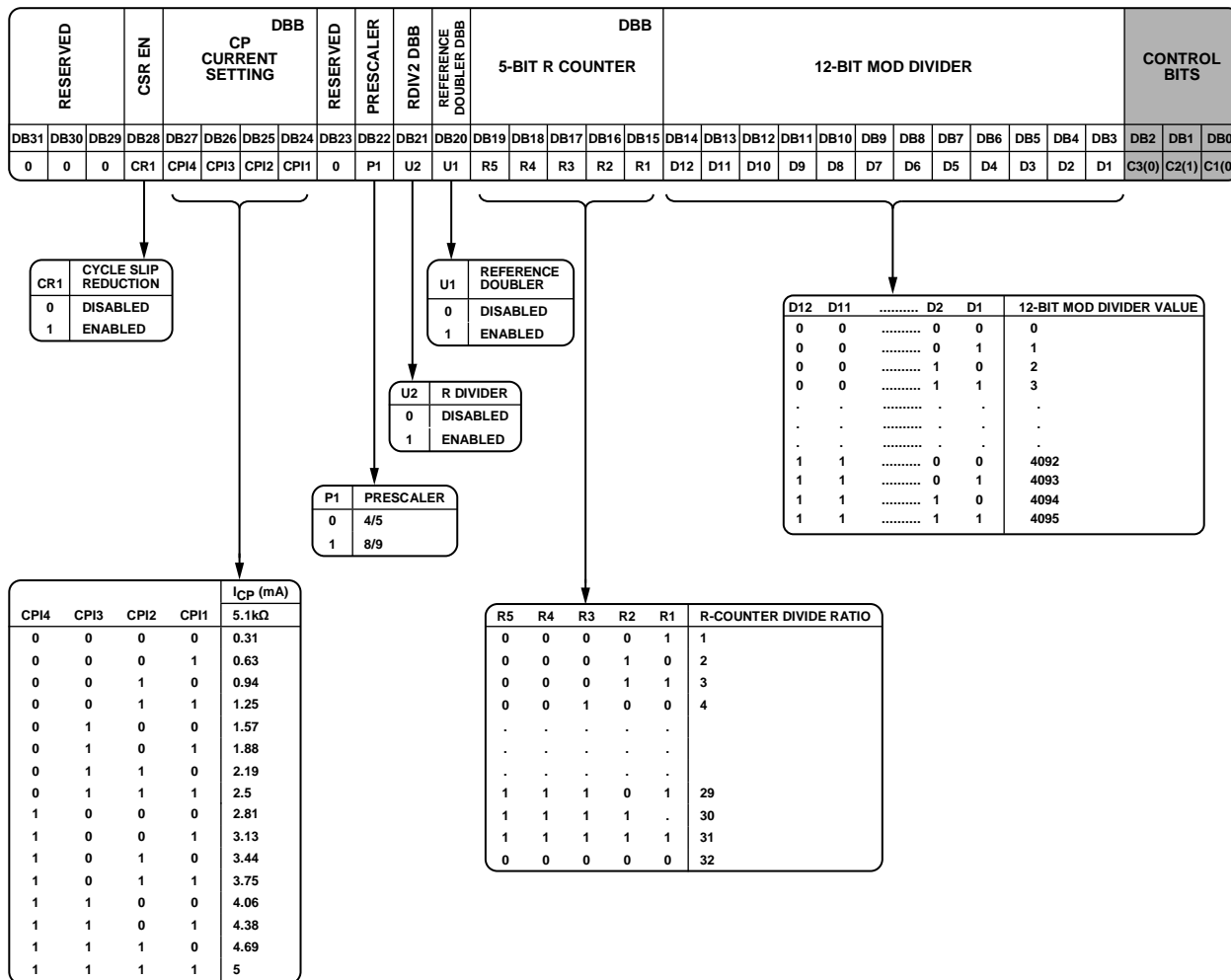
### 5-Bit R-Counter

The 5-bit R-counter allows the input reference frequency ( $REF_{IN}$ ) to be divided down to produce the reference clock to the phase frequency detector (PFD). Division ratios from 1 to 32 are allowed.

### 12-Bit MOD Divider

Bits DB[14:3] are used to program the MOD divider, which determines the duration of the time step in ramp mode.





NOTES  
1. DBB = DOUBLE-BUFFERED BITS.

Figure 24. R-Divider Register (R2) Map

08728-01.3

## FUNCTION REGISTER (R3) MAP

With Register R3 DB[2:0] set to [0, 1, 1], the on-chip function register is programmed as shown in Figure 25.

### Reserved Bits

All reserved bits should be set to 0 for normal operation.

### N SEL

This setting is used to circumvent the issue of pipeline delay between an update of the integer and fractional values in the N-counter. Typically, the INT value is loaded first, followed by the FRAC value. This can cause the N-counter value to be at an incorrect value for a brief period of time equal to the pipeline delay (about four PFD cycles). This has no effect if the INT value has not been updated. However, if the INT value has been changed, this can cause the PLL to overshoot in frequency while it tries to lock to the temporarily incorrect N value. After the correct fractional value is loaded, the PLL quickly locks to the correct frequency. Introducing an additional delay to the loading of the INT value using the N SEL bit causes the INT and FRAC values to be loaded at the same time, preventing frequency overshoot. The delay is turned on by setting Bit DB15 to 1.

### SD Reset

For most applications, DB14 should be set to 0. When DB14 is set to 0, the  $\Sigma$ - $\Delta$  modulator is reset on each write to Register R0. If it is not required that the  $\Sigma$ - $\Delta$  modulator be reset on each Register R0 write, set this bit to 1.

### Ramp Mode

DB[11:10] determine the type of generated waveform.

### PSK Enable

When DB9 is set to 1, PSK modulation is enabled. When set to 0, PSK modulation is disabled.

### FSK Enable

When DB8 is set to 1, FSK modulation is enabled. When set to 0, FSK modulation is disabled.

### Lock Detect Precision (LDP)

When DB7 is programmed to 0, 24 consecutive PFD cycles of 15 ns must occur before digital lock detect is set. When this bit is programmed to 1, 40 consecutive reference cycles of 15 ns must occur before digital lock detect is set.

### Phase Detector (PD) Polarity

DB6 sets the phase detector polarity. When the VCO characteristics are positive, set this bit to 1. When the VCO characteristics are negative, set this bit to 0.

### Power-Down

DB5 provides the programmable power-down mode. Setting this bit to 1 performs a power-down. Setting this bit to 0 returns the synthesizer to normal operation. While in software power-down mode, the part retains all information in its registers. Only when supplies are removed are the register contents lost.

When a power-down is activated, the following events occur:

1. All active dc current paths are removed.
2. The synthesizer counters are forced to their load state conditions.
3. The charge pump is forced into three-state mode.
4. The digital lock-detect circuitry is reset.
5. The RF<sub>IN</sub> input is debiased.
6. The input register remains active and capable of loading and latching data.

### Charge Pump Three-State

DB4 puts the charge pump into three-state mode when programmed to 1. It should be set to 0 for normal operation.

### Counter Reset

DB3 is the RF counter reset bit. When this bit is set to 1, the RF synthesizer counters are held in reset. For normal operation, set this bit to 0.

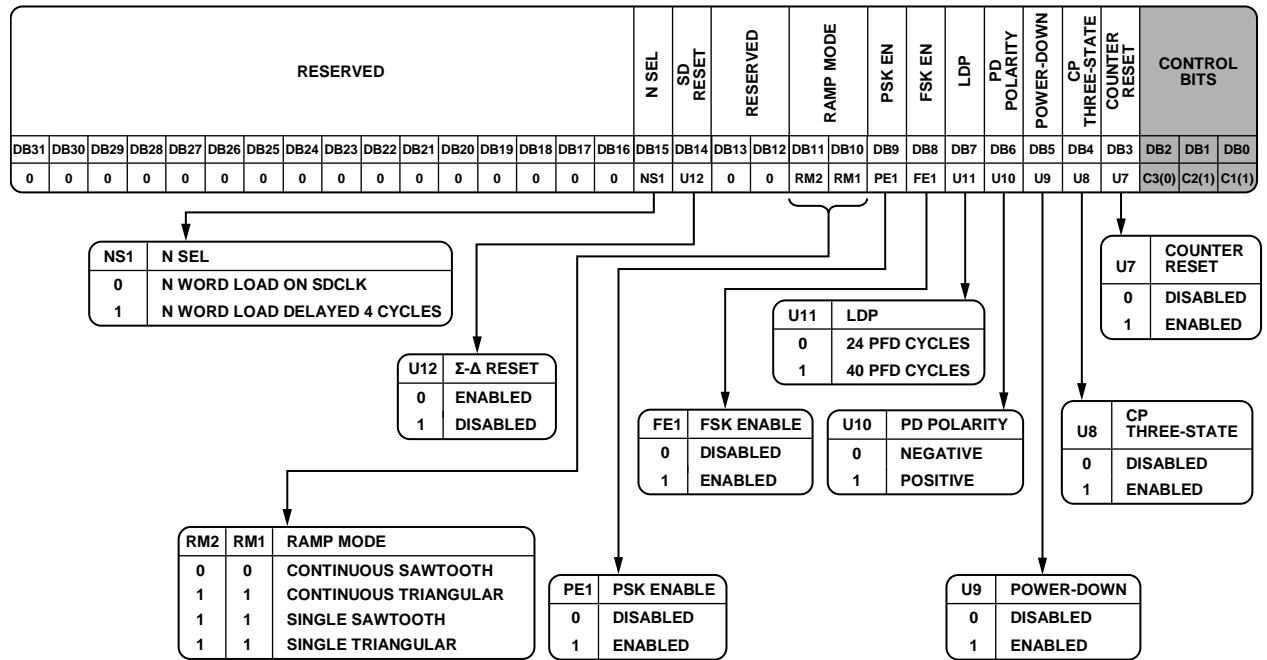


Figure 25. Function Register (R3) Map

03728-014

# ADF4158

## TEST REGISTER (R4) MAP

With Register R4 DB[2:0] set to [1, 0, 0], the on-chip test register (R4) is programmed as shown in Figure 26.

### LE SEL

In some applications, it is necessary to synchronize LE with the reference signal. To do this, DB31 should be set to 1. Synchronization is done internally on the part.

### Reserved Bits

All reserved bits should be set to 0 for normal operation.

### Readback to MUXOUT

DB[22:21] enable or disable the readback to MUXOUT function. This function allows reading back the synthesizer's frequency at the moment of interrupt.

### CLK DIV Mode

Depending on the settings of DB[20:19], the 12-bit clock divider may be a counter for the switched R fast-lock ramp (CLK2), or it may be turned off.

### 12-Bit Clock Divider Value

DB[18:7] are used to program the clock divider, which determines how long the loop remains in wideband mode while the switched R fast-lock technique is used. See the Fast Lock: Loop Filter Topology section for more details.

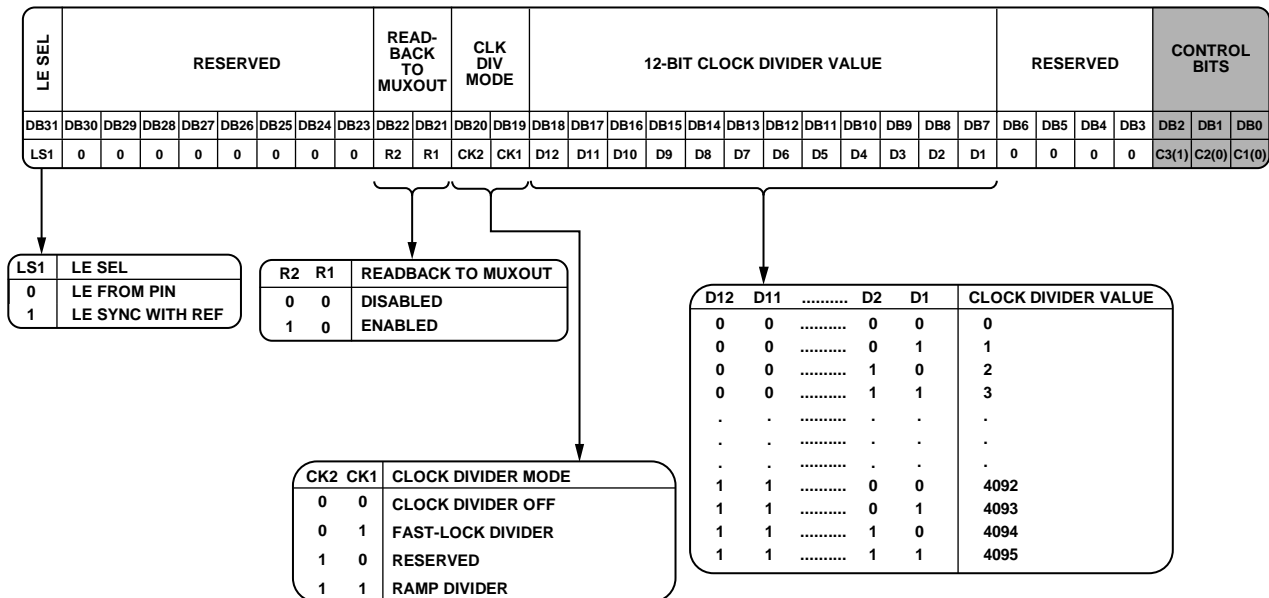


Figure 26. Test Register (R4) Map

08726-115

**DEVIATION REGISTER (R5) MAP**

With Register R5 DB[2:0] set to [1, 0, 1], the on-chip deviation register is programmed as shown in Figure 27.

**Reserved Bits**

All reserved bits should be set to 0 for normal operation.

**Tx Ramp CLK**

Setting DB29 to 0 uses the clock divider clock for clocking the ramp. Setting DB29 to 1 uses the Tx data clock for clocking the ramp.

**PAR Ramp**

Setting DB28 to 1 enables the parabolic ramp. Setting DB28 to 0 disables the parabolic ramp.

**Interrupt**

DB[27:26] determine which type of interrupt is used. This feature is used for reading back the INT and FARC value of a ramp at a given moment in time (rising edge on the TX<sub>DATA</sub> pin triggers the interrupt). From these bits, frequency can be obtained. After readback, the sweep might continue or stop at the readback frequency.

**FSK Ramp Enable**

Setting DB25 to 1 enables the FSK ramp. Setting DB25 to 0 disables the FSK ramp.

**Ramp 2 Enable**

Setting DB24 to 1 enables the second ramp. Setting DB24 to 0 disables the second ramp.

**Deviation Select**

Setting DB23 to 0 chooses the first deviation word. Setting DB23 to 1, chooses the second deviation word.

**4-Bit Deviation Offset Word**

DB[22:19] determine the deviation offset. The deviation offset affects the deviation resolution.

**16-Bit Deviation Word**

DB[18:3] determine the signed deviation word. The deviation word defines the deviation step.

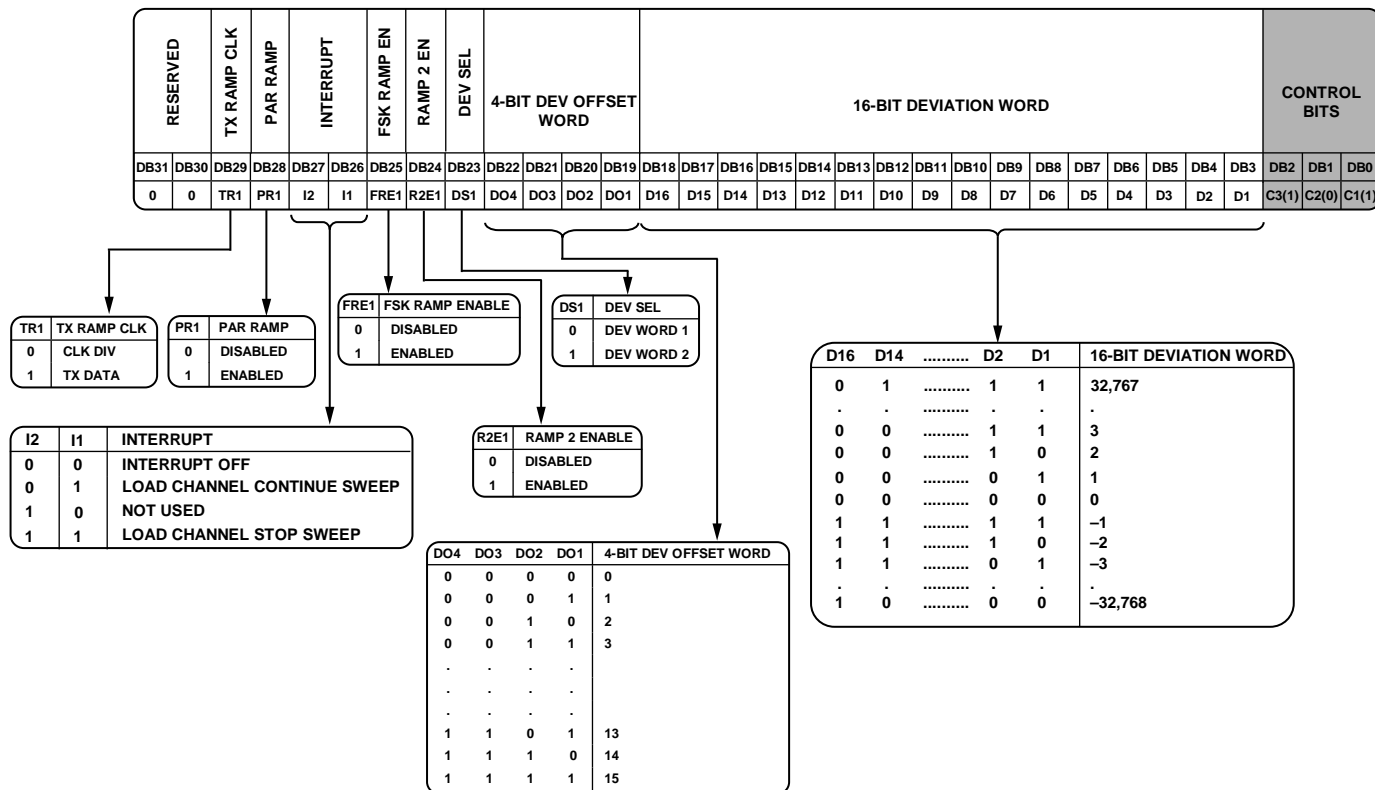


Figure 27. Deviation Register (R5) Map

07828-116

# ADF4158

## STEP REGISTER (R6) MAP

With Register R6 DB[2:0] set to [1, 1, 0], the on-chip step register is programmed as shown in Figure 28.

### Reserved Bits

All reserved bits should be set to 0 for normal operation.

### Step SEL

Setting DB23 to 0 chooses Step Word 1. Setting DB23 to 1 chooses Step Word 2.

### 20-Bit Step Word

DB[22:3] determine the step word. Step word is a number of steps in the ramp.

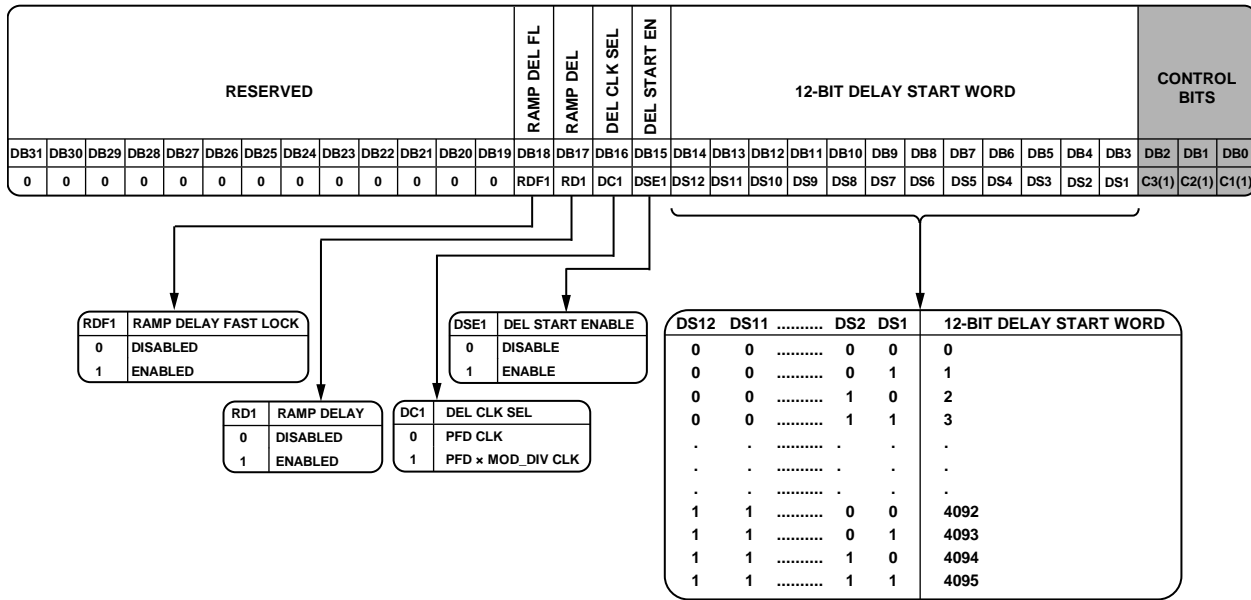


Figure 28. Step Register (R6) Map

08728-118

**DELAY REGISTER (R7) MAP**

With Register R7 DB[2:0] set to [1, 1, 1], the on-chip delay register is programmed as shown in Figure 29.

**Reserved Bits**

All reserved bits should be set to 0 for normal operation.

**Ramp Delay Fast Lock**

Setting DB18 to 1 enables the ramp delay fast-lock function. Setting DB18 to 0 disables this function.

**Ramp Delay**

Setting DB17 to 1 enables the ramp delay function. Setting DB17 to 0 disables this function.

**Delay Clock Select**

Setting DB16 to 0 selects the PFD clock as the delay clock. Setting DB16 to 1 selects PFD × MOD\_DIV (MOD\_DIV set by DB[14:3] in Register R2) as delay clock.

**Delayed Start Enable**

Setting DB15 to 1 enables delayed start. Setting DB15 to 0 disables delayed start.

**12-Bit Delayed Start Word**

DB[14:3] determine the delay start word. The delay start word affects the duration of the ramp start delay.

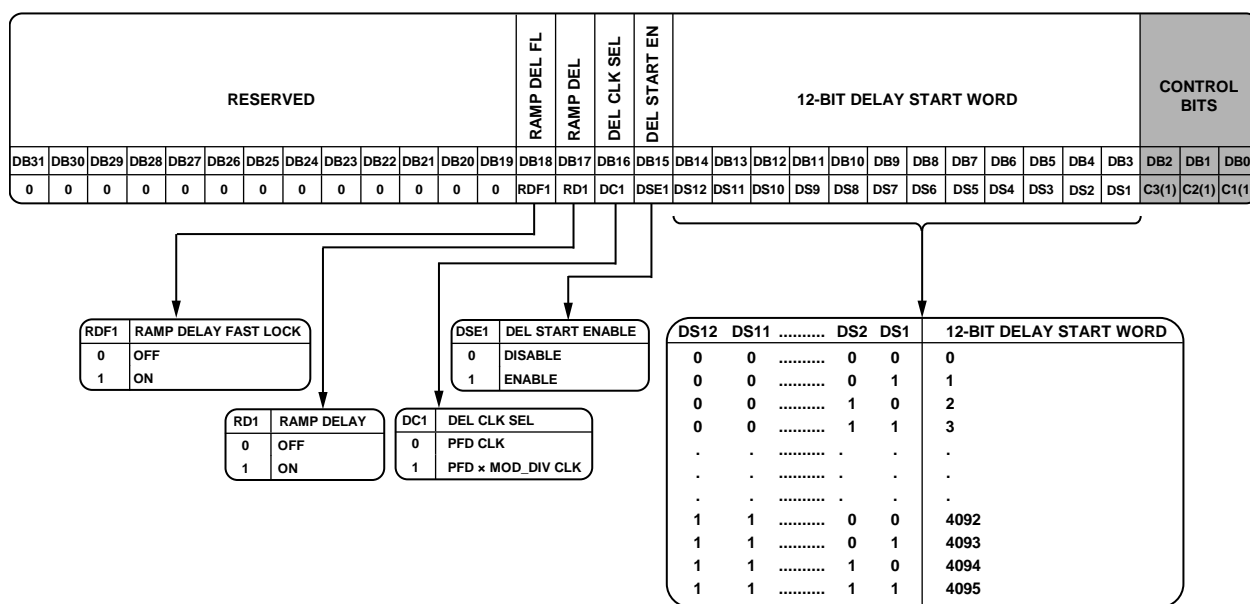


Figure 29. Delay Register (R7) Map

08728-118

## APPLICATIONS INFORMATION

### INITIALIZATION SEQUENCE

After powering up the part, administer the following programming sequence:

1. Delay register (R7)
2. Step register (R6)—load the step register (R6) twice, first with STEP SEL = 0 and then with STEP SEL = 1
3. Deviation register (R5)—load the deviation register (R5) twice, first with DEV SEL = 0 and then with DEV SEL = 1
4. Test register (R4)
5. Function register (R3)
6. R-divider register (R2)
7. LSB FRAC register (R1)
8. FRAC/INT register (R0)

### RF SYNTHESIZER: A WORKED EXAMPLE

The following equation governs how the synthesizer should be programmed:

$$RF_{OUT} = [N + (FRAC/2^{25})] \times [f_{PFD}] \quad (4)$$

where:

$RF_{OUT}$  is the RF frequency output.

$N$  is the integer division factor.

$FRAC$  is the fractionality.

$$f_{PFD} = REF_{IN} \times [(1 + D)/(R \times (1 + T))] \quad (5)$$

where:

$REF_{IN}$  is the reference frequency input.

$D$  is the RF  $REF_{IN}$  doubler bit.

$R$  is the RF reference division factor.

$T$  is the reference divide-by-2 bit (0 or 1).

For example, in a system where a 5.8002 GHz RF frequency output ( $RF_{OUT}$ ) is required and a 10 MHz reference frequency input ( $REF_{IN}$ ) is available, the frequency resolution is

$$\begin{aligned} f_{RES} &= REF_{IN}/2^{25} \\ f_{RES} &= 10 \text{ MHz}/2^{25} \\ &= 0.298 \text{ Hz} \end{aligned} \quad (6)$$

From Equation 5,

$$\begin{aligned} f_{PFD} &= [10 \text{ MHz} \times (1 + 0)/1] = 10 \text{ MHz} \\ 5.8002 \text{ GHz} &= 10 \text{ MHz} \times (N + FRAC/2^{25}) \end{aligned}$$

Calculating  $N$  and  $FRAC$  values,

$$\begin{aligned} N &= \text{int}(RF_{OUT}/f_{PFD}) = 580 \\ FRAC &= F_{MSB} \times 2^{13} + F_{LSB} \\ F_{MSB} &= \text{int}(((RF_{OUT}/f_{PFD}) - N) \times 2^{12}) = 81 \\ F_{LSB} &= \text{int}((((RF_{OUT}/f_{PFD}) - N) \times 2^{12}) - F_{MSB}) \times 2^{13} = 7537 \end{aligned}$$

where:

$F_{MSB}$  is the 12-bit MSB FRAC value in Register R0.

$F_{LSB}$  is the 13-bit LSB FRAC value in Register R1.

$\text{int}()$  makes an integer of the argument in parentheses.

### REFERENCE DOUBLER AND REFERENCE DIVIDER

The reference doubler on chip allows the input reference signal to be doubled. This is useful for increasing the PFD comparison frequency. Making the PFD frequency higher improves the noise performance of the system. Doubling the PFD frequency usually improves noise performance by 3 dB.

It is important to note that the PFD cannot be operated above 32 MHz due to a limitation in the speed of the  $\Sigma$ - $\Delta$  circuit of the N-divider.

### CYCLE SLIP REDUCTION FOR FASTER LOCK TIMES

In fast-locking applications, a wide loop filter bandwidth is required for fast frequency acquisition, resulting in increased integrated phase noise and reduced spur attenuation. Using cycle slip reduction, the loop bandwidth can be kept narrow to reduce integrated phase noise and attenuate spurs while still realizing fast lock times.

#### Cycle Slips

Cycle slips occur in integer-N/fractional-N synthesizers when the loop bandwidth is narrow compared with the PFD frequency. The phase error at the PFD inputs accumulates too fast for the PLL to correct, and the charge pump temporarily pumps in the wrong direction, slowing down the lock time dramatically. The ADF4158 contains a cycle slip reduction circuit to extend the linear range of the PFD, allowing faster lock times without loop filter changes.

When the ADF4158 detects that a cycle slip is about to occur, it turns on an extra charge pump current cell. This outputs a constant current to the loop filter or removes a constant current from the loop filter (depending on whether the VCO tuning voltage needs to increase or decrease to acquire the new frequency). The effect is that the linear range of the PFD is increased. Stability is maintained because the current is constant and is not a pulsed current.

If the phase error increases again to a point where another cycle slip is likely, the ADF4158 turns on another charge pump cell. This continues until the ADF4158 detects that the VCO frequency has gone past the desired frequency. It then begins to turn off the extra charge pump cells one by one until they are all turned off and the frequency is settled.

Up to seven extra charge pump cells can be turned on. In most applications, it is enough to eliminate cycle slips altogether, giving much faster lock times.



Setting Bit DB28 in the R-divider register (Register R2) to 1 enables cycle slip reduction. Note that a 45% to 55% duty cycle is needed on the signal at the PFD in order for CSR to operate correctly. The reference divide-by-2 flip-flop can help to provide a 50% duty cycle at the PFD. For example, if a 100 MHz reference frequency is available and the user wants to run the PFD at 10 MHz, setting the R-divide factor to 10 results in a 10 MHz PFD signal that is not 50% duty cycle. By setting the R-divide factor to 5 and enabling the reference divide-by-2 bit, a 50% duty cycle 10 MHz signal can be achieved.

Note that the cycle slip reduction feature can only be operated when the phase detector polarity setting is positive (DB6 in Register R3). It cannot be used if the phase detector polarity is negative.

**MODULATION**

The ADF4158 can operate in frequency shift keying (FSK) or phase shift keying (PSK) mode.

**Frequency Shift Keying (FSK)**

FSK is implemented by setting the ADF4158 N-divider up for the center frequency and then toggling the TX<sub>DATA</sub> pin. The deviation from the center frequency is set by

$$f_{DEV} = (f_{PFD}/2^{25}) \times (DEV \times 2^{DEV\_OFFSET}) \tag{7}$$

where:

DEV is a 16-bit word.

DEV\_OFFSET is a 4-bit word.

f<sub>PFD</sub> is the PFD frequency.

The ADF4158 implements this by incrementing or decrementing the set N-divide value by DEV × 2<sup>DEV\_OFFSET</sup>.

**Phase Shift Keying (PSK)**

When the ADF4158 is set up in PSK mode, it is possible to toggle the output phase of the ADF4158 between 0° and 180°. The TX<sub>DATA</sub> pin controls the phase.

**FSK Settings Worked Example**

For example, take an FSK system operating at 5.8 GHz, with a 25 MHz PFD, 250 kHz deviation and DEV\_OFFSET = 4. Rearrange Equation 4 as follows

$$DEV = \frac{f_{DEV}}{\frac{f_{PFD}}{2^{25}} \times 2^{DEV\_OFFSET}} \tag{8}$$

$$DEV = \frac{250 \text{ kHz}}{\frac{25 \text{ MHz}}{2^{25}} \times 2^4} = 20,971.52$$

The DEV value is rounded to 20,972. Toggling the TX<sub>DATA</sub> pin causes the frequency to hop between ±250 kHz frequencies from the programmed center frequency.

**WAVEFORM GENERATION**

The ADF4158 is capable of generating four types of waveforms in the frequency domain: single ramp burst, single sawtooth burst, sawtooth ramp, and triangular ramp. Figure 30 through Figure 33 show the types of waveforms available.

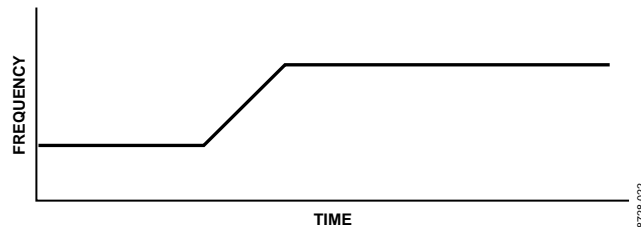


Figure 30. Single Ramp Burst

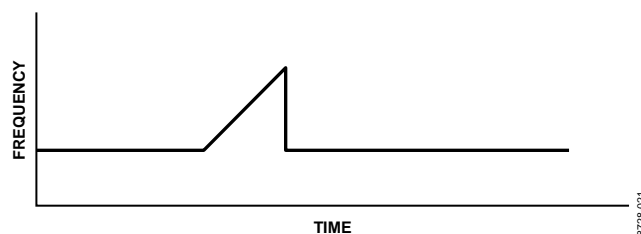


Figure 31. Single Sawtooth Burst

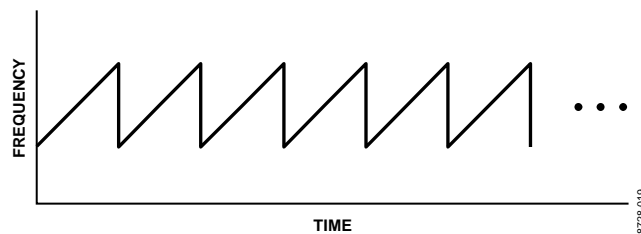


Figure 32. Sawtooth Ramp

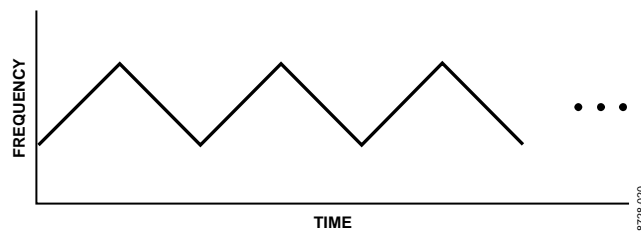


Figure 33. Triangular Ramp

## Waveform Deviations and Timing

Figure 34 shows a version of a burst or ramp. The key parameters that define a burst or ramp are

- Frequency deviation
- Timeout interval
- Number of steps

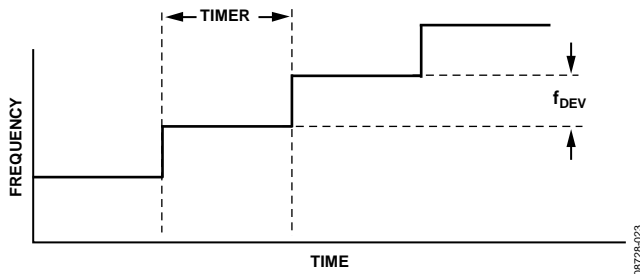


Figure 34. Waveform Timing

### Frequency Deviation

The frequency deviation for each frequency hop is set by

$$f_{DEV} = (f_{PFD}/225) \times (DEV \times 2^{DEV\_OFFSET}) \quad (9)$$

where:

$DEV$  is a 16-bit word.

$DEV\_OFFSET$  is a 4-bit word.

### Timeout Interval

The time between each frequency hop is set by

$$Timer = CLK_1 \times CLK_2 \times (1/f_{PFD}) \quad (10)$$

where:

$CLK_1$  and  $CLK_2$  are 12-bit clock values (12-bit MOD divider in R2, 12-bit clock divider in R4—CLK DIV set as RAMP DIV).

$f_{PFD}$  is the PFD frequency.

### Number of Steps

A 20-bit step value defines the number of frequency hops that take place. The INT value cannot be incremented by more than  $2^8$  from its starting value.

### Single Ramp Burst

The most basic waveform is the single ramp burst. All other waveforms are slight variations on this.

In the single ramp burst, the ADF4158 is locked to the frequency defined in the FRAC/INT register. When the ramp mode is enabled, the ADF4158 increments the N-divide value by  $DEV \times 2^{DEV\_OFFSET}$ , causing a frequency shift,  $f_{DEV}$ , on each timer interval. This happens until the set number of steps has taken place. The ADF4158 then retains the final N-divide value.

### Single Sawtooth Burst

In the single sawtooth burst, the N-divide value is reset to its initial value on the next timeout interval after the number of steps has taken place. The ADF4158 retains this N-divide value.

### Sawtooth Ramp

The sawtooth ramp is a repeated version of the single sawtooth burst. The waveform repeats until the ramp is disabled.

### Triangular Ramp

The triangular ramp is similar to the single ramp burst. However, when the steps have been completed, the ADF4158 begins to decrement the N-divide value by  $DEV \times 2^{DEV\_OFFSET}$  on each timeout interval. When the number of steps has again been completed, it reverts to incrementing the N-divide value. Repeating this creates a triangular waveform. The waveform repeats until the ramp is disabled.

### FMCW Radar Ramp Settings Worked Example

Take as an example, an FMCW radar system requiring the RF LO to sawtooth ramp over a 50 MHz range every 2 ms. The PFD frequency is 25 MHz, and the RF output range is 5800 MHz to 5850 MHz.

The frequency deviation for each hop in the ramp is set to ~250 kHz.

The frequency resolution of ADF4158 is calculated as follows:

$$f_{RES} = f_{PFD}/2^{25} \quad (11)$$

Numerically:

$$f_{RES} = 25 \text{ MHz}/2^{25} = 0.745 \text{ Hz}$$

The  $DEV\_OFFSET$  is calculated after rearranging Equation 9:

$$DEV\_OFFSET = \log_2(f_{DEV}/(f_{RES} \times DEV_{MAX})) \quad (12)$$

Expressed in  $\log_{10}(x)$ , Equation 10 can be transformed into the following equation:

$$DEV\_OFFSET = \log_{10}(f_{DEV}/(f_{RES} \times DEV_{MAX}))/\log_{10}(2) \quad (13)$$

where:

$DEV_{MAX} = 2^{15}$  – Maximum of the Deviation Word.

$f_{DEV}$  = frequency deviation.

$DEV\_OFFSET$  = a 4-bit word.

Using Equation 13,  $DEV\_OFFSET$  is calculated as follows

$$DEV\_OFFSET = \log_{10}(250 \text{ kHz}/(0.745 \text{ Hz} \times 2^{15}))/\log_{10}(2) = 3.356$$

After rounding,  $DEV\_OFFSET = 4$ .

From  $DEV\_OFFSET$ , the resolution of frequency deviation can be calculated as follows

$$f_{DEV\_RES} = f_{RES} \times 2^{DEV\_OFFSET} \quad (14)$$

$$f_{DEV\_RES} = 0.745 \text{ Hz} \times 2^4 = 11.92 \text{ Hz}$$

To calculate the DEV word, use Equation 12.

$$DEV = f_{DEV} / (f_{RES} \times 2^{DEV\_OFFSET}) \tag{15}$$

$$DEV = \frac{250 \text{ kHz}}{\frac{25 \text{ MHz}}{2^{25}} \times 2^4} = 20,971.52$$

Rounding this to 20,972 and recalculating using Equation 9 to get the actual deviation frequency,  $f_{DEV}$ , thus produces the following:

$$f_{DEV} = (25 \text{ MHz} / 2^{25}) \times (20,972 \times 2^4) = 249.986 \text{ kHz}$$

The number of  $f_{DEV}$  steps required to cover the 50 MHz range is  $50 \text{ MHz} / 249.986 \text{ kHz} = 200$ . To cover the 50 MHz range in 2 ms, the ADF4158 must hop every  $2 \text{ ms} / 200 = 10 \mu\text{s}$ .

Rearrange Equation 10 to set the timer value (and fix  $CLK_2$  to 1):

$$CLK_1 = \text{Timer} \times f_{PD} / CLK_2 = 10 \mu\text{s} \times 25 \text{ MHz} / 1 = 250$$

To summarize the settings:  $DEV = 20,972$ , number of steps = 200,  $CLK_1 = 250$ ,  $CLK_2 = 1$ . Using these settings, program the ADF4158 to a center frequency of 5800 MHz, and enable the sawtooth ramp to produce the required waveform. If a triangular ramp was used with the same settings, the ADF4158 would sweep from 5800 MHz to 5850 MHz and back down again. The entire sweep would take 4 ms.

**Activating the Ramp**

After setting all of the previous parameters, the ramp must be activated. It is achieved by choosing the desired type of ramp (DB[11:10] in Register R3) and starting the ramp (DB31 = 1 in Register R0).

**ADDITIONAL FEATURES**

**Two Ramp Rates**

This feature allows for two ramps with different step and deviation settings. It also allows the ramp rate to be reprogrammed while another ramp is running.

**Example**

For example, if

- PLL is locked to 5790 MHz.
- Ramp 1 jumps 100 steps, each of which lasts 10  $\mu\text{s}$  and has a frequency deviation of 100 kHz.
- Ramp 2 jumps 80 steps, each of which lasts 10  $\mu\text{s}$  and has a frequency deviation of 125 kHz.

Then,

1. DB24 in Register R5 should be set to 1, which activates Ramp 2 rates mode.
2. Program Ramp 1 and Ramp 2 as follows to get two ramp rates:

Ramp 1: Register R5 DB[18:3] = 16,777, DB[22:19] = 3 with DB23 = 0; Register R6 DB[22:3] = 100, DB23 = 0.  
 Ramp 2: Register R5 DB[18:3] = 20,972, DB[22:19] = 3 with DB23 = 1; Register R6 DB[22:3] = 80, DB23 = 1.

The resulting ramp with two various rates is shown in Figure 35. Eventually, the ramp must be activated as described in Activating the Ramp section.

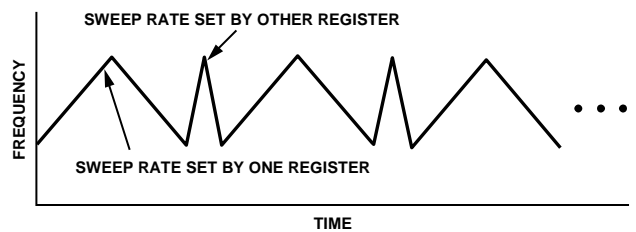


Figure 35. Dual Sweep Rate

**Ramp Mode with FSK Signal on Ramp**

In traditional approaches a FMCW radars used either linear frequency modulation (LFM) or FSK modulation. These modulations used separately introduce ambiguity between measured distance and velocity, especially in multitarget situations. To overcome this issue and enable unambiguous (range – velocity) multitarget detection, use a ramp with FSK on it.

**Example**

For example, if

- PLL is locked to 5790 MHz.
- There are 100 steps each of which lasts 10  $\mu\text{s}$  and has a deviation of 100 kHz.
- The FSK signal is 25 kHz.

Then,

1. Program the ramp as described in the FMCW Radar Ramp Settings Worked Example section. While doing that DB23 in Register R5 and DB23 in Register R6 should be set to 0.
2. Set the bits in Register R5 as follows to program FSK on ramp to 25 kHz:  
 DB[18:3] = 4194 (deviation word), DB[22:19] = 3 (deviation offset), DB23 = 1 (deviation select for FSK on ramp), and DB25 = 1 (ramp with FSK enabled).

An example of ramp with FSK on the top of it is shown in Figure 36. Eventually, the ramp must be activated as described in Activating the Ramp section.

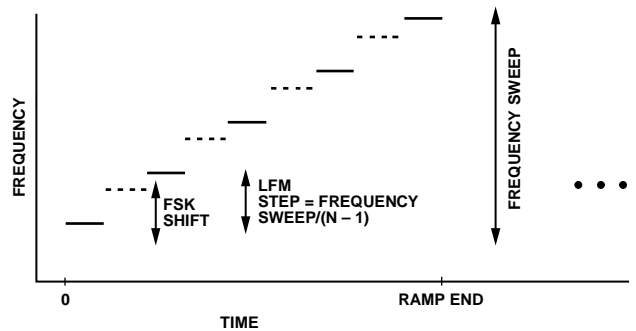


Figure 36. Combined FSK and LFM Waveform (N Corresponds to the Number of LFM Steps)

## Delayed Start

A delayed start can be used with two different parts to control the start time. The idea of delayed start is shown in Figure 37.

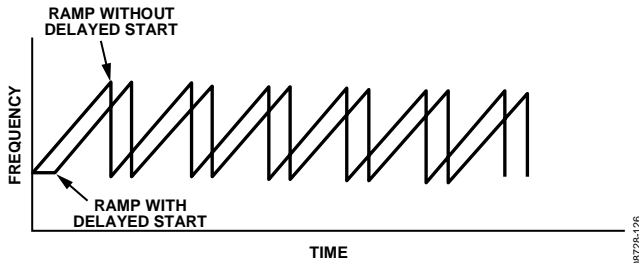


Figure 37. Delayed Start of Sawtooth Ramp

## Example

For example, to program a delayed start with two different parts to control the start time,

1. Set DB15 in Register R7 to 1 to enable the delayed start of ramp option.
2. Set Bit DB16 in Register R7 to 0 and the 12-bit delay start word (DB[14:3] in Register R7) to 125 to delay the ramp on the first part is delayed by 5  $\mu$ s. The delay is calculated as follows:

$$\begin{aligned} \text{Delay} &= T_{\text{PFD}} \times \text{Delay Start Word} \\ &= 40 \text{ ns} \times 125 = 5 \mu\text{s} \end{aligned}$$

3. Set Bit DB16 in Register R7 to 1 and the 12-bit delay start word (DB[14:3] in Register R7) to 125 to delay the ramp on the second part is delayed by 125  $\mu$ s. Use the following formula for calculating the delay:

$$\begin{aligned} \text{Delay} &= t_{\text{PFD}} \times \text{MOD} \times \text{Delay Start Word} \\ &= 40 \text{ ns} \times 25 \times 125 = 125 \mu\text{s} \end{aligned}$$

Eventually, the ramp must be activated as described in Activating the Ramp section.

## Delay Between Ramps

This feature adds a delay between bursts in ramp. Figure 38 shows a delay between ramps in sawtooth mode.

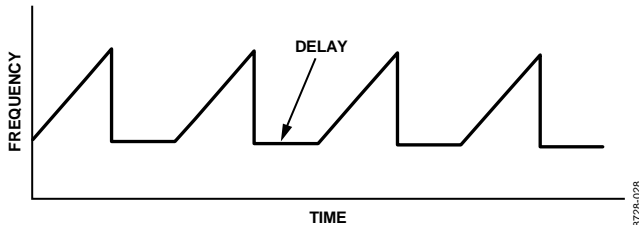


Figure 38. Delay Between Ramps for Sawtooth Mode

## Example

For example, to add a delay between bursts in a ramp,

1. Set DB17 in Register R7 to 1 to enable delay between ramps option.
2. Set Bit DB16 in Register R7 to 0 and the 12-bit delay start word (DB[14:3] in Register R7) to 125 to delay the ramp by 5  $\mu$ s. The delay is calculated as follows:

$$\begin{aligned} \text{Delay} &= t_{\text{PFD}} \times \text{Delay Start Word} \\ &= 40 \text{ ns} \times 125 = 5 \mu\text{s} \end{aligned}$$

If a longer delay is needed, for example, 125  $\mu$ s, Bit DB16 in Register R7 should be set to 1 and the 12-bit delay start word (DB[14:3] in Register R7) should be set to 125. The delay is calculated as follows

$$\begin{aligned} \text{Delay} &= t_{\text{PFD}} \times \text{MOD} \times \text{Delay Start Word} \\ &= 40 \text{ ns} \times 25 \times 125 = 125 \mu\text{s} \end{aligned}$$

There is also a possibility to activate fast-lock operation for the first period of delay. This is done by setting Bit DB18 in Register R7 to 1. This feature is useful for sawtooth ramps to mitigate the frequency overshoot on the transition from one sawtooth to the next. Eventually, the ramp must be activated as described in Activating the Ramp section.

## Nonlinear Ramp Mode

The ADF4158 is capable of generating a parabolic ramp. The output frequency is generated according to the following equation:

$$f_{\text{OUT}}(n + 1) = f_{\text{OUT}}(n) + n \times f_{\text{DEV}} \quad (16)$$

where:

$f_{\text{OUT}}$  is output frequency.

$f_{\text{DEV}}$  is frequency deviation.

$n$  is step number.

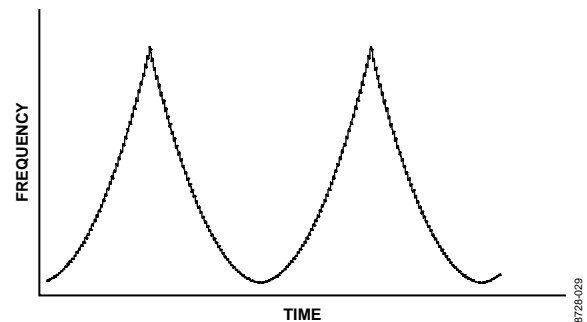


Figure 39. Parabolic Ramp

The following example explains how to set up and use this function.

**Example**

$f_{OUT} = 5790 \text{ MHz}$

$f_{DEV} = 100 \text{ kHz}$

Number of steps = 50

Duration of a single step = 10  $\mu$ s

Ramp mode must be either triangular (Register R3, DB[11:10] = 01) or single triangular (Register R3, DB[11:10] = 11).

In the first case, the generated frequency range is calculated as follows:

$$\Delta f = f_{DEV} \times (\text{Number of Steps} + 2) \times (\text{Number of Steps} + 1)/2 = 132.6 \text{ MHz}$$

In the second case, the generated frequency range is calculated as follows:

$$\Delta f = f_{DEV} \times (\text{Number of Steps} + 1) \times \text{Number of Steps}/2 = 127.5 \text{ MHz}$$

The timer is set in the same way as for its linear ramps described in the Waveform Generation section.

Activation of the parabolic ramp is achieved by setting Bit DB28 in Register R5 to 1.

Next the counter reset (DB3 in Register R3) should be set first to 1 and then to 0.

Eventually, the ramp must be activated as described in the Activating the Ramp section.

**Interrupt Modes and Frequency Readback**

Interrupt modes are triggered from the rising edge of TX<sub>DATA</sub>. Depending on the settings of DB[27:26] in Register R5, the modes in Table 7 are activated.

**Table 7. Interrupt Modes**

Mode	Action
DB[27:26] = 00	Interrupt is off
DB[27:26] = 01	Interrupt on TX <sub>DATA</sub> , sweep continues
DB[27:26] = 11	Interrupt on TX <sub>DATA</sub> , sweep stops

When an interrupt takes place, the data consisting of the INT and FRAC values can be read back via MUXOUT. The data is made up of 37 bits, 12 of which represent the INT value and 25 the FRAC value.

The idea of frequency readback is shown in Figure 40.

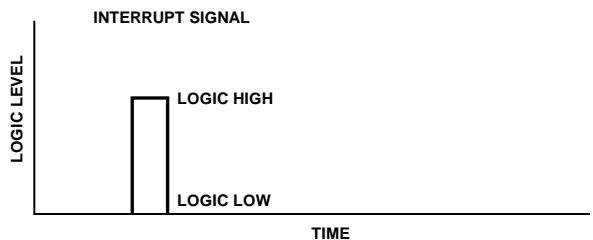
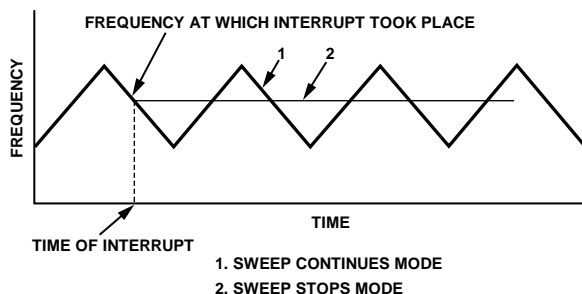


Figure 40. Interrupt and Frequency Readback

Note that DB[22:21] in Register R4 should be set to 2 and DB[30:27] in Register R0 (MUXOUT control) should be set to 15 (1111).

The mechanism of how single bits are read back is shown in Figure 41.

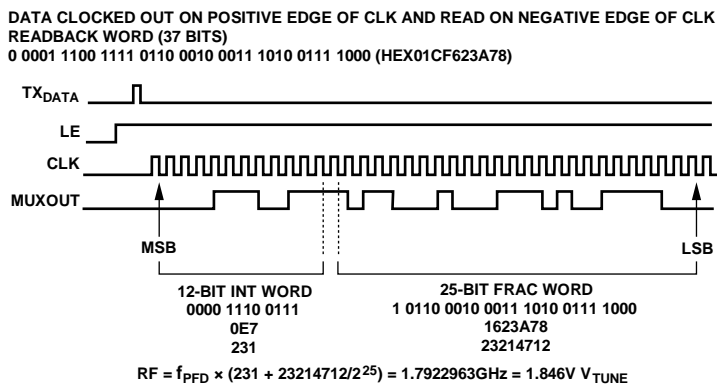


Figure 41. Reading Back Single Bits to Determine the Output Frequency at the Moment of Interrupt

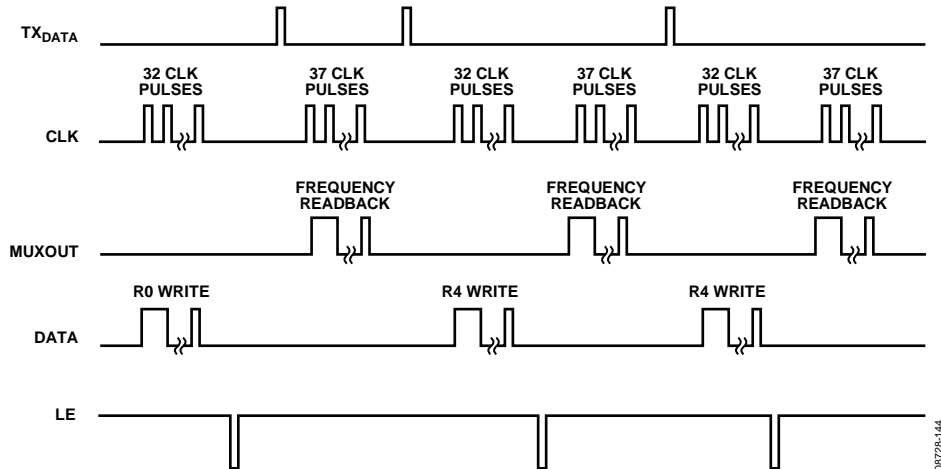


Figure 42. Continuous Frequency Readback

For continuous frequency readback the following sequence should be used:

- Register 0 write
- LE high
- Pulse on TX<sub>DATA</sub>
- Frequency readback (as described at the beginning of the Interrupt Modes and Frequency Readback section and Figure 41)
- Pulse on TX<sub>DATA</sub>
- Register R4 write
- Frequency readback (as described at the beginning of the Interrupt Modes and Frequency Readback section and Figure 41)
- Pulse on TX<sub>DATA</sub>
- ...

The sequence is also shown in Figure 42.

## FAST-LOCK TIMER AND REGISTER SEQUENCES

If the fast-lock mode is used, a timer value needs to be loaded into the PLL to determine the time spent in wide bandwidth mode.

When the DB[20:19] bits in Register 4 (R4) are set to 01 (fast-lock divider), the timer value is loaded via the 12-bit clock divider value. To use fast lock, the PLL must be written to in the following sequence:

1. Initialization sequence (see the Initialization Sequence section). This should only be performed once after powering up the part.
2. Load Register R4 DB[16:15] = 01 and the chosen fast-lock timer value (DB[18:7]).
3. Load Register R2 with the chosen MOD divider value (DB[14:3]) if longer time in wide loop bandwidth is required.

Note that the duration that the PLL remains in wide bandwidth is equal to the  $MOD \times \text{fast-lock timer} / f_{\text{PFD}}$ , where MOD is the 12-bit MOD divider in Register R2.

In addition, note that the fast-lock feature doesn't work in ramp mode.

## FAST LOCK: AN EXAMPLE

If a PLL has a reference frequency of 13 MHz, that is,  $f_{\text{PFD}} = 13 \text{ MHz}$ , as well as  $MOD = 10$  (12-bit MOD divider in Register R2) and a required lock time of  $50 \mu\text{s}$ , the PLL is set to wide bandwidth for  $40 \mu\text{s}$ .

If the time period set for the wide bandwidth is  $40 \mu\text{s}$ , then

$$\text{Fast-Lock Timer Value} = \text{Time in Wide Bandwidth} \times f_{\text{PFD}} / \text{MOD}$$

$$\text{Fast-Lock Timer Value} = 40 \mu\text{s} \times 13 \text{ MHz} / 10 = 52.$$

Therefore, 52 must be loaded into the clock divider value in Register R4 in Step 1 of the sequence described in the Fast-Lock Timer and Register Sequences section.

## FAST LOCK: LOOP FILTER TOPOLOGY

To use fast-lock mode, an extra connection from the PLL to the loop filter is needed. The damping resistor in the loop filter must be reduced to  $1/4$  of its value while in wide bandwidth mode. This is required because the charge pump current is increased by 16 while in wide bandwidth mode, and stability must be ensured. To further enhance stability and mitigate frequency overshoot while frequency change (in wide bandwidth mode), Register R3 is connected. During fast lock, the SW1 pin is shorted to ground and SW2 is connected to CP (it is done by setting Bits DB[20:19] in Register R4 to 01—fast lock divider). The following two topologies can be used:

- Divide the damping resistor (R1) into two values (R1 and R1A) that have a ratio of 1:3 (see Figure 43).
- Connect an extra resistor (R1A) directly from SW1, as shown in Figure 44. The extra resistor must be chosen such that the parallel combination of an extra resistor and the damping resistor (R1) is reduced to  $1/4$  of the original value of R1.

For both of the topologies, the ratio R3:R2 should equal 1:4.

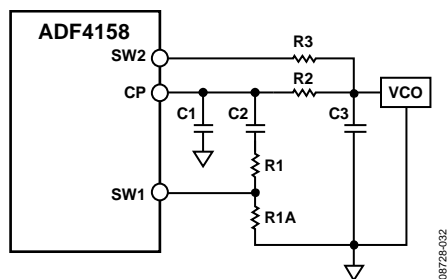


Figure 43. Fast-Lock Loop Filter Topology—Topology 1

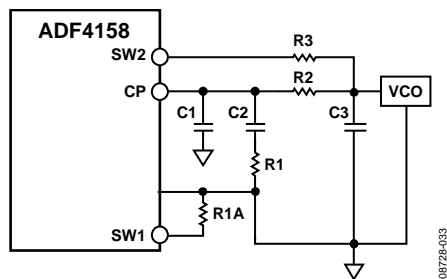


Figure 44. Fast-Lock Loop Filter Topology—Topology 2

## SPUR MECHANISMS

The fractional interpolator in the ADF4158 is a third-order  $\Sigma$ - $\Delta$  modulator (SDM) with a 25-bit fixed modulus (MOD). The SDM is clocked at the PFD reference rate ( $f_{\text{PFD}}$ ) that allows PLL output frequencies to be synthesized at a channel step resolution of  $f_{\text{PFD}}/\text{MOD}$ . The various spur mechanisms possible with fractional-N synthesizers and how they affect the ADF4158 are discussed in this section.

### Fractional Spurs

In most fractional synthesizers, fractional spurs can appear at the set channel spacing of the synthesizer. In the ADF4158, these spurs do not appear. The high value of the fixed modulus in the ADF4158 makes the SDM quantization error spectrum look like broadband noise, effectively spreading the fractional spurs into noise.

### Integer Boundary Spurs

Interactions between the RF VCO frequency and the PFD frequency can lead to spurs known as integer boundary spurs. When these frequencies are not integer related (which is the purpose of the fractional-N synthesizer), spur sidebands appear on the VCO output spectrum at an offset frequency that corresponds to the beat note or difference frequency between an integer multiple of the PFD and the VCO frequency.

These spurs are named integer boundary spurs because they are more noticeable on channels close to integer multiples of the PFD where the difference frequency can be inside the loop bandwidth. These spurs are attenuated by the loop filter.

## Reference Spurs

Reference spurs are generally not a problem in fractional-N synthesizers because the reference offset is far outside the loop bandwidth. However, any reference feedthrough mechanism that bypasses the loop can cause a problem. One such mechanism is the feedthrough of low levels of on-chip reference switching noise out through the  $\text{RF}_{\text{IN}}$  pins back to the VCO, resulting in reference spur levels as high as  $-90$  dBc. Take care in the PCB layout to ensure that the VCO is well separated from the input reference to avoid a possible feedthrough path on the board.

## LOW FREQUENCY APPLICATIONS

The specification on the RF input is 0.5 GHz minimum; however, RF frequencies lower than this can be used if the minimum slew rate specification of 400 V/ $\mu\text{s}$  is met. An appropriate LVDS driver can be used to square up the RF signal before it is fed back to the ADF4158 RF input. The FIN1001 from Fairchild Semiconductor is one such LVDS driver.

## FILTER DESIGN—ADIsimPLL

A filter design and analysis program is available to help the user implement PLL design. Visit [www.analog.com/pll](http://www.analog.com/pll) for a free download of the ADIsimPLL™ software. This software designs, simulates, and analyzes the entire PLL frequency domain and time domain response. Various passive and active filter architectures are allowed.

## PCB DESIGN GUIDELINES FOR THE CHIP SCALE PACKAGE

The lands on the chip scale package (CP-24) are rectangular. The printed circuit board (PCB) pad for these should be 0.1 mm longer than the package land length and 0.05 mm wider than the package land width. Center the land on the pad. This ensures that the solder joint size is maximized.

The bottom of the chip scale package has a central thermal pad. The thermal pad on the PCB should be at least as large as this exposed pad. On the PCB, there should be a clearance of at least 0.25 mm between the thermal pad and the inner edges of the pad pattern. This ensures that shorting is avoided.

Thermal vias can be used on the PCB thermal pad to improve the thermal performance of the package. If vias are used, they should be incorporated into the thermal pad at 1.2 mm pitch grid. The via diameter should be between 0.3 mm and 0.33 mm, and the via barrel should be plated with 1 ounce of copper to plug the via. Connect the PCB thermal pad to AGND.

# ADF4158

## APPLICATION OF ADF4158 IN FMCW RADAR

The application of ADF4158 in FMCW radar is shown in Figure 45.

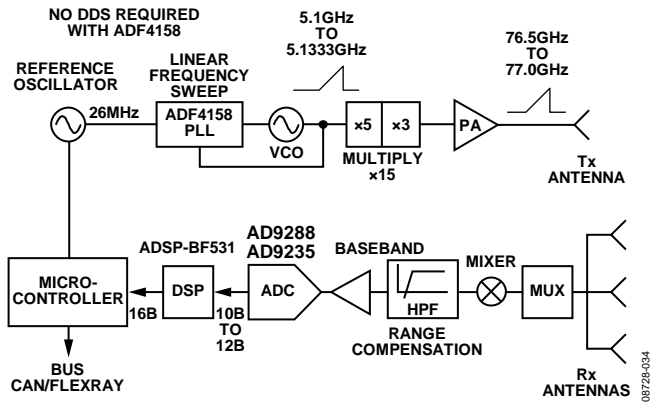
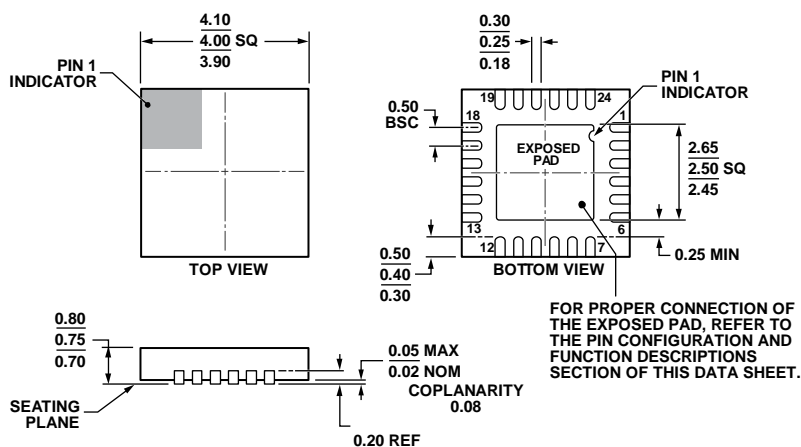


Figure 45. FMCW Radar with ADF4158

The ADF4158 in FMCW radar is used for generating ramps (sawtooth or triangle) that are necessary for this type of radar to operate. Traditionally, the PLL was driven directly by a direct digital synthesizer (DDS) to generate the required type of waveform. Due to the implemented waveform generating mechanism on the ADF4158, a DDS is no longer needed, which reduces cost. In addition, the PLL solution has advantages over another method (the DAC driving the VCO directly) for generating FMCW ramps, which suffered from VCO tuning characteristics nonlinearities requiring compensation. The PLL method gives highly linear ramps without the need for calibration.



# OUTLINE DIMENSIONS



COMPLIANT TO JEDEC STANDARDS MO-220-WGGD.

Figure 46. 24-Lead Lead Frame Chip Scale Package [LFCSP\_WQ]  
 4 mm × 4 mm Body, Very Very Thin Quad  
 (CP-24-7)  
 Dimensions shown in millimeters

112108-A

## ORDERING GUIDE

Model <sup>1</sup>	Temperature Range	Package Description	Package Option
ADF4158CCPZ	-40°C to +125°C	24-Lead Lead Frame Chip Scale Package [LFCSP_WQ]	CP-24-7
ADF4158CCPZ-RL7	-40°C to +125°C	24-Lead Lead Frame Chip Scale Package [LFCSP_WQ]	CP-24-7
EVAL-ADF4158EB1Z		Evaluation Board	

<sup>1</sup> Z = RoHS Compliant Part.

**ADF4158**

**NOTES**

**NOTES**

**ADF4158**

**NOTES**

I<sup>2</sup>C refers to a communications protocol originally developed by Philips Semiconductors (now NXP Semiconductors).

©2010 Analog Devices, Inc. All rights reserved. Trademarks and registered trademarks are the property of their respective owners.  
D08728-0-4/10(0)



[www.analog.com](http://www.analog.com)



## Стандарт Электрон Связь

Мы молодая и активно развивающаяся компания в области поставок электронных компонентов. Мы поставляем электронные компоненты отечественного и импортного производства напрямую от производителей и с крупнейших складов мира.

Благодаря сотрудничеству с мировыми поставщиками мы осуществляем комплексные и плановые поставки широчайшего спектра электронных компонентов.

Собственная эффективная логистика и склад в обеспечивает надежную поставку продукции в точно указанные сроки по всей России.

Мы осуществляем техническую поддержку нашим клиентам и предпродажную проверку качества продукции. На все поставляемые продукты мы предоставляем гарантию .

Осуществляем поставки продукции под контролем ВП МО РФ на предприятия военно-промышленного комплекса России , а также работаем в рамках 275 ФЗ с открытием отдельных счетов в уполномоченном банке. Система менеджмента качества компании соответствует требованиям ГОСТ ISO 9001.

Минимальные сроки поставки, гибкие цены, неограниченный ассортимент и индивидуальный подход к клиентам являются основой для выстраивания долгосрочного и эффективного сотрудничества с предприятиями радиоэлектронной промышленности, предприятиями ВПК и научно-исследовательскими институтами России.

С нами вы становитесь еще успешнее!

### Наши контакты:

**Телефон:** +7 812 627 14 35

**Электронная почта:** [sales@st-electron.ru](mailto:sales@st-electron.ru)

**Адрес:** 198099, Санкт-Петербург,  
Промышленная ул, дом № 19, литера Н,  
помещение 100-Н Офис 331