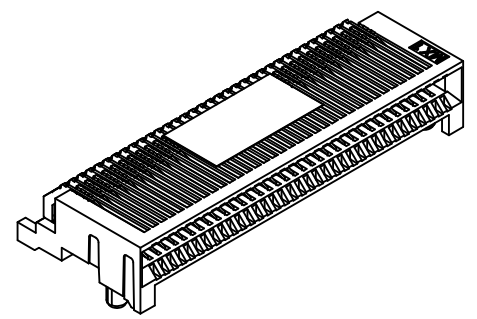


SECTION A-A

68 CIRCUIT ASSEMBLY SHOWN



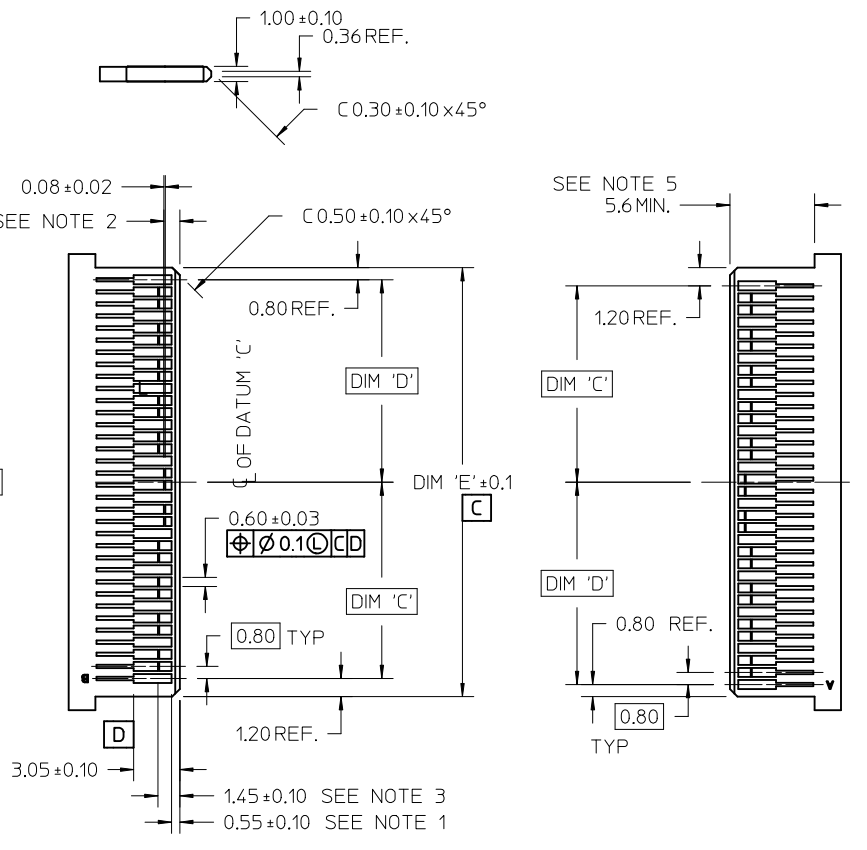
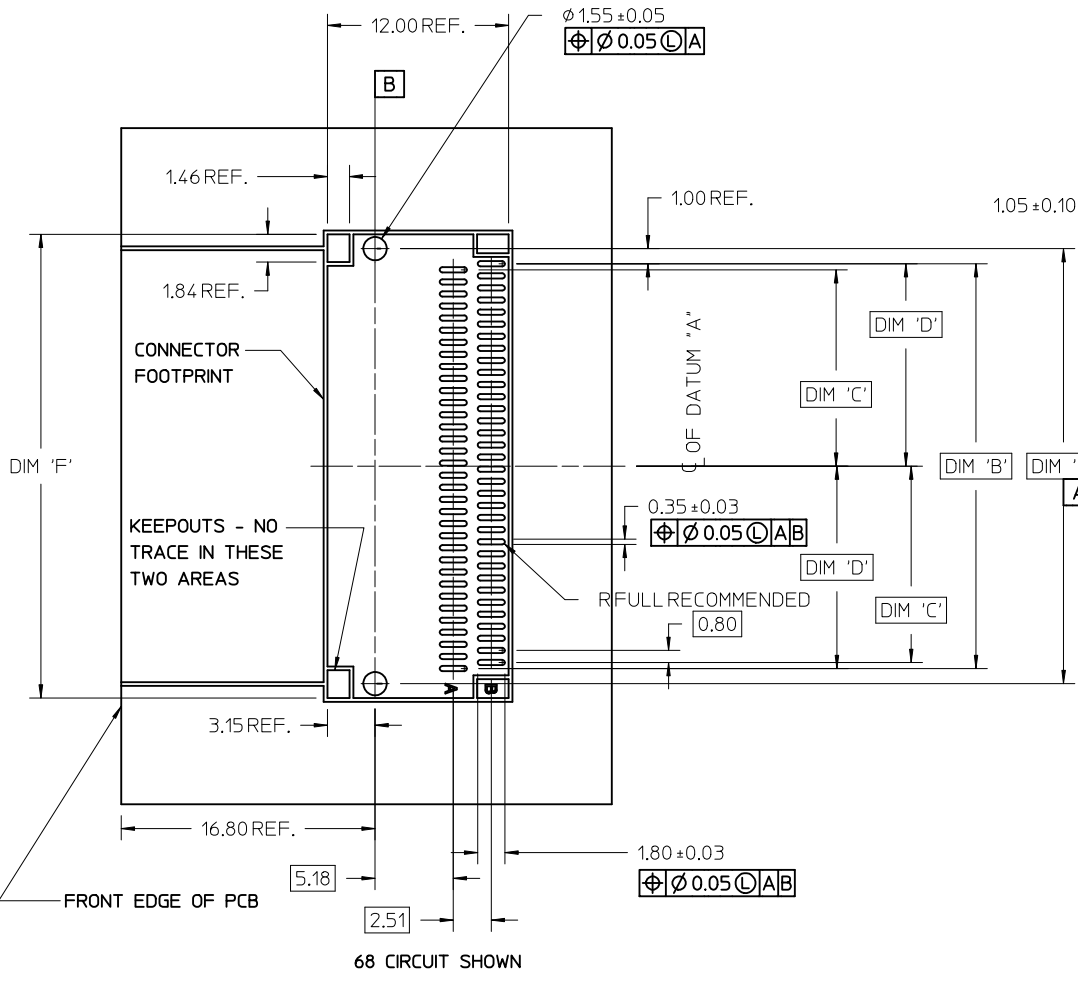
| CIRCUIT SIZE | ITEM NUMBER | PLATING OPTION | DIM 'A' | DIM 'B' | DIM 'C' |
|--------------|-------------|----------------|---------|---------|---------|
| 26           | 75586-0004  | OPTION 1       | 13.40   | 11.80   | 12.00   |
| 26           | 75586-0009  | OPTION 2       | 13.40   | 11.80   | 12.00   |
| 36           | 75586-0003  | OPTION 1       | 17.40   | 15.80   | 16.00   |
| 36           | 75586-0008  | OPTION 2       | 17.40   | 15.80   | 16.00   |
| 38           | 75586-0010  | OPTION 1       | 18.20   | 16.60   | 16.80   |
| 38           | 75586-0011  | OPTION 2       | 18.20   | 16.60   | 16.80   |
| 50           | 75586-0001  | OPTION 1       | 23.00   | 21.40   | 21.60   |
| 50           | 75586-0006  | OPTION 2       | 23.00   | 21.40   | 21.60   |
| 68           | 75586-0002  | OPTION 1       | 30.20   | 28.60   | 28.80   |
| 68           | 75586-0007  | OPTION 2       | 30.20   | 28.60   | 28.80   |

NOTES

- MATERIAL:  
HOUSING - HIGH TEMPERATURE THERMOPLASTIC GLASS FILLED, UL 94V-0, BLACK  
TERMINALS - COPPER ALLOY
- PLATING:  
OPTION 1  
CONTACT AREA - 0.38 μm MIN GOLD OVER 2.54 μm MIN NICKEL  
SOLDER FOOT AREA - 2.54 - 5.09 μm TIN OVER 1.27 μm MIN NICKEL.  
OPTION 2  
CONTACT AREA - 0.76 μm MIN GOLD OVER 2.54 μm NICKEL  
SOLDER AREA - 2.54 - 5.09 μm TIN OVER 1.27 μm MIN NICKEL.
- TERMINAL SOLDER FEET TO BE COPLANAR WITHIN 0.10/004 MEASURED FROM FRONT HOUSING STAND OFF (DATUM E)
- DATE CODE: 4 DIGIT (3 DIGIT DATE, 1 DIGIT YEAR)
- CIRCUIT IDENTIFIER: SEE APPROPRIATE INDUSTRY SPECIFICATION FOR LOCATION OF PIN 1
- TO BE USED WITH EXTERNAL CABLES (74546 & 74547 SERIES) AND GUIDE FRAMES (74540 & 74548 SERIES)
- TESTER/ANALYZER CABLES AVAILABLE (74557 & 74558 SERIES)
- PACKAGED PER PACKAGING SPECIFICATION: PK-75586-002
- CONFORMS TO PRODUCT SPECIFICATION: PS-75586-001
- THIS PART CONFORMS TO CLASS C REQUIREMENTS OF COSMETIC SPECIFICATION PS-45499-002.

iPass™ IS A TRADEMARK OF MOLEX

|   |                                      |                                       |  |   |  |                                      |                        |  |  |                     |
|---|--------------------------------------|---------------------------------------|--|---|--|--------------------------------------|------------------------|--|--|---------------------|
| REVISED NOTE 2<br>IEC NO: UCP2012-4064<br>DRWN: TMCLELL 2012/06/26<br>CHKD:<br>APPR: MBANAKIS 2012/06/28<br>REV: G2 | QUALITY SYMBOLS<br>▽=0<br>▽=0<br>▽=0 | GENERAL TOLERANCES (UNLESS SPECIFIED) |  | DIMENSION STYLE<br>MM ONLY  |  | SCALE<br>4:1                         | DESIGN UNITS<br>METRIC | THIRD ANGLE PROJECTION   |  |                     |
|   |                                      | mm                                    |  | INCH  |  | DRAWN BY DATE<br>KREGNIER 07/28/04   |                        | I-PASS R/A CONNECTOR<br>EXTERNAL ASSEMBLY<br>.8 MM PITCH I/O<br><b>molex</b> |  |                     |
|   |                                      | 4 PLACES ± ---                        |  | ± ---   |  | CHECKED BY DATE<br>JLONG 07/29/04    |                        |  |  |                     |
|   |                                      | 3 PLACES ± ---                        |  | ± ---   |  | APPROVED BY DATE<br>RNELSON 07/30/04 |                        | DOCUMENT NO.<br>SD-75586-001   |  | SHEET NO.<br>1 OF 3 |
| 2 PLACES ± 0.13   |                                      | ± ---                                 |  | DRAFT WHERE APPLICABLE MUST REMAIN WITHIN DIMENSIONS  |  |                                      |                        |  |  |                     |
| 1 PLACE ± 0.25  |                                      | ± ---                                 |  | THIS DRAWING CONTAINS INFORMATION THAT IS PROPRIETARY TO MOLEX INCORPORATED AND SHOULD NOT BE USED WITHOUT WRITTEN PERMISSION |  |                                      |                        |  |  |                     |
| 0 PLACE ±   |                                      | ±                                     |  |   |  |                                      |                        |  |  |                     |



- NOTES:
- PAD CONFIGURATION FOR FIRST MATE.
  - PAD CONFIGURATION FOR SECOND MATE.
  - PAD CONFIGURATION FOR THIRD MATE (HIGH SPEED SIGNALS).
  - FOR PIN ASSIGNMENTS AND MATING SEQUENCE (1ST, 2ND, 3RD), SEE APPLICABLE SPECIFICATION.
  - MINIMUM STEP REQUIRED IF PCB MADE WIDER THAN CARD TOUNGE.
  - SEE 74540 OR 74548 SERIES FOR GUIDE FRAME FOOT PRINT AND KEEP OUT AREA.

iPass™ IS A TRADEMARK OF MOLEX

| CIRCUIT SIZE | TERM/SIDE 'N' | DIMENSIONS |         |         |         |         |         |
|--------------|---------------|------------|---------|---------|---------|---------|---------|
|              |               | DIM 'A'    | DIM 'B' | DIM 'C' | DIM 'D' | DIM 'E' | DIM 'F' |
| 26           | 13            | 12.00      | 10.00   | 4.60    | 5.00    | 11.60   | 13.90   |
| 36           | 18            | 16.00      | 14.00   | 6.60    | 7.00    | 15.60   | 17.90   |
| 38           | 19            | 16.80      | 14.80   | 7.00    | 7.40    | 16.40   | 18.70   |
| 50           | 25            | 21.60      | 19.60   | 9.40    | 9.80    | 21.20   | 23.50   |
| 68           | 34            | 28.80      | 26.80   | 13.00   | 13.40   | 28.40   | 30.70   |

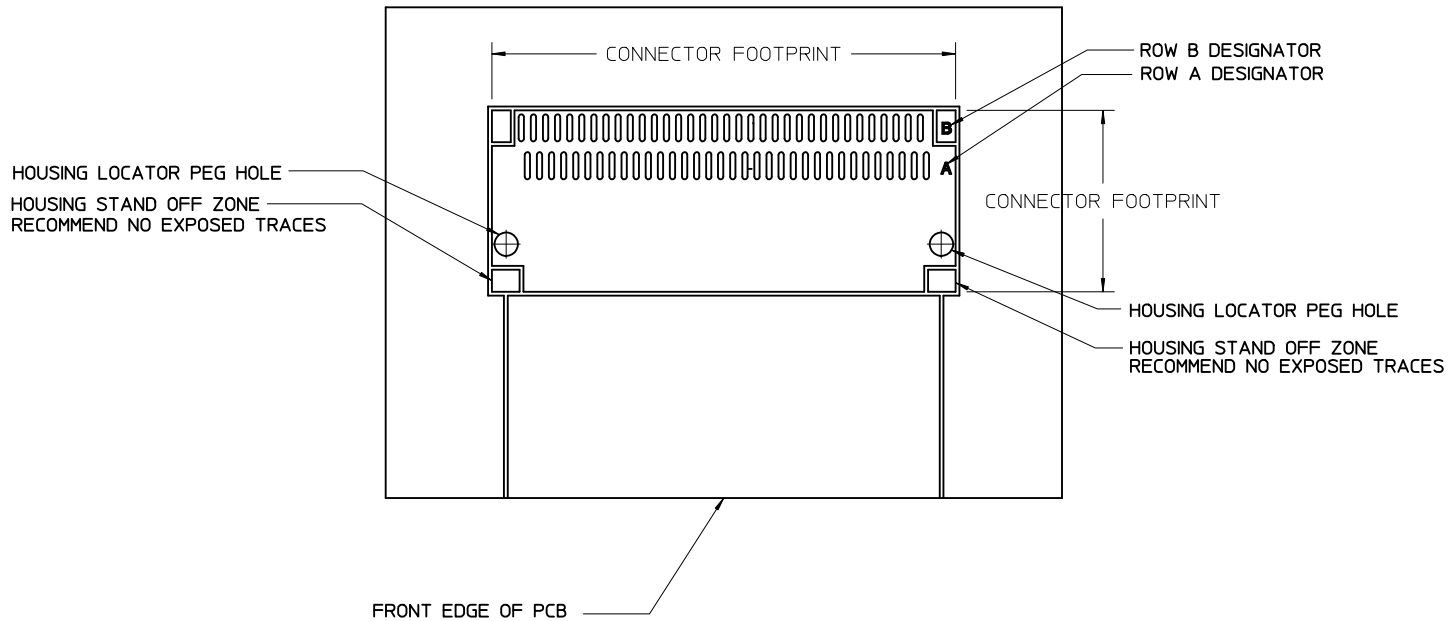
|                          |                 |
|--------------------------|-----------------|
| SEE SHEET 1              | QUALITY SYMBOLS |
| EC NO: UCP2012-4064      | ▽=0             |
| DRWN:MCLELL 2012/06/26   | ▽=0             |
| CHKD:                    | ▽=0             |
| APPR:MBANAKIS 2012/06/28 |                 |
| REV                      |                 |

| GENERAL TOLERANCES (UNLESS SPECIFIED)                |                |
|--|----------------|
|  | mm INCH        |
| 4 PLACES   | ± 0.13 ± 0.005 |
| 3 PLACES   | ± 0.25 ± 0.010 |
| 2 PLACES   | ± 0.38 ± 0.015 |
| 1 PLACE  | ± 0.51 ± 0.020 |
| 0 PLACE  | ± 0.64 ± 0.025 |
| ANGULAR ±1/2°  |                |
| DRAFT WHERE APPLICABLE MUST REMAIN WITHIN DIMENSIONS |                |

| DIMENSION STYLE MM ONLY |              |
|-------------------------|--------------|
| DRAWN BY                | DATE         |
| KREGNIER                | 07/28/04     |
| CHECKED BY              | DATE         |
| JLONG                   | 07/29/04     |
| APPROVED BY             | DATE         |
| RNELSON                 | 07/30/04     |
| MATERIAL NO.            | DOCUMENT NO. |
| SEE CHART               | SD-75586-001 |

|  |                     |                        |
|--|---------------------|------------------------|
| SCALE 4:1  | DESIGN UNITS METRIC | THIRD ANGLE PROJECTION |
| I-PASS R/A CONNECTOR EXTERNAL ASSEMBLY .8 MM PITCH I/O |                     |                        |
| <b>molex</b>   |                     |                        |
| SHEET NO. 2 OF 3                                       |                     |                        |

THIS DRAWING CONTAINS INFORMATION THAT IS PROPRIETARY TO MOLEX INCORPORATED AND SHOULD NOT BE USED WITHOUT WRITTEN PERMISSION



iPass™ IS A TRADEMARK OF MOLEX

|   |                 |  |                   |   |              |                        |
|---|-----------------|--|-------------------|---|--------------|------------------------|
| SEE SHEET 1<br>EC NO: UCP2012-4064<br>DRAWN: TMCLELL 2012/06/26<br>CHKD:<br>APPR: MBANAKIS 2012/06/28 | QUALITY SYMBOLS | GENERAL TOLERANCES (UNLESS SPECIFIED)                | DIMENSION STYLE   | SCALE   | DESIGN UNITS | THIRD ANGLE PROJECTION |
|   | ▽=0             | mm INCH  | MM ONLY           | 4:1   | METRIC       |                        |
|   | ▽=0             | 4 PLACES ± --- ± ---                                 | DRAWN BY DATE     | TITLE<br>I-PASS R/A CONNECTOR<br>EXTERNAL ASSEMBLY<br>.8 MM PITCH I/O<br><b>molex</b>   |              |                        |
|   | ▽=0             | 3 PLACES ± --- ± ---                                 | KREGNIER 07/28/04 |   |              |                        |
| REV   | DESCRIPTION     | ANGULAR ±1/2°  | CHECKED BY DATE   | DOCUMENT NO.<br>SD-75586-001<br>SHEET NO.<br>3 OF 3   |              |                        |
| G2  |                 | DRAFT WHERE APPLICABLE MUST REMAIN WITHIN DIMENSIONS | JLONG 07/29/04    |   |              |                        |
|   |                 |  | APPROVED BY DATE  | THIS DRAWING CONTAINS INFORMATION THAT IS PROPRIETARY TO MOLEX INCORPORATED AND SHOULD NOT BE USED WITHOUT WRITTEN PERMISSION |              |                        |
|   |                 |  | RNELSON 07/30/04  |   |              |                        |



## Стандарт Электрон Связь

Мы молодая и активно развивающаяся компания в области поставок электронных компонентов. Мы поставляем электронные компоненты отечественного и импортного производства напрямую от производителей и с крупнейших складов мира.

Благодаря сотрудничеству с мировыми поставщиками мы осуществляем комплексные и плановые поставки широчайшего спектра электронных компонентов.

Собственная эффективная логистика и склад в обеспечивает надежную поставку продукции в точно указанные сроки по всей России.

Мы осуществляем техническую поддержку нашим клиентам и предпродажную проверку качества продукции. На все поставляемые продукты мы предоставляем гарантию .

Осуществляем поставки продукции под контролем ВП МО РФ на предприятия военно-промышленного комплекса России , а также работаем в рамках 275 ФЗ с открытием отдельных счетов в уполномоченном банке. Система менеджмента качества компании соответствует требованиям ГОСТ ISO 9001.

Минимальные сроки поставки, гибкие цены, неограниченный ассортимент и индивидуальный подход к клиентам являются основой для выстраивания долгосрочного и эффективного сотрудничества с предприятиями радиоэлектронной промышленности, предприятиями ВПК и научно-исследовательскими институтами России.

С нами вы становитесь еще успешнее!

### Наши контакты:

**Телефон:** +7 812 627 14 35

**Электронная почта:** [sales@st-electron.ru](mailto:sales@st-electron.ru)

**Адрес:** 198099, Санкт-Петербург,  
Промышленная ул, дом № 19, литера Н,  
помещение 100-Н Офис 331