

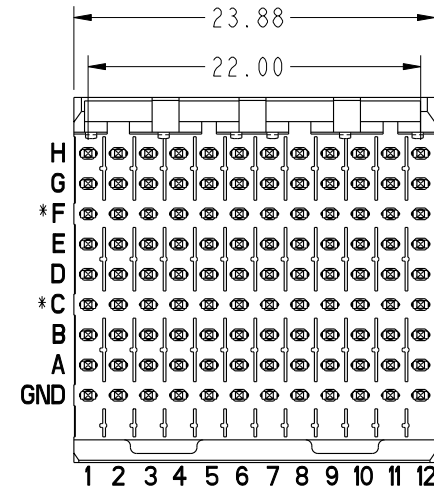
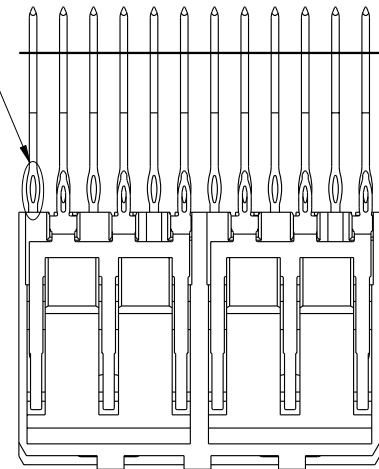
This document is the property of and embodies  
 CONFIDENTIAL and PROPRIETARY information of FCI.  
 No part of the information shown on this  
 document may be used in any way or disclosed  
 to others without the written consent of FCI.  
 Copyright FCI.



PRODUCT NUMBER	PLATING PERFORMANCE LEVEL	FOR REAR PLUG-UP APPLICATIONS USE SHROUD
63784-1YYY	TELCORDIA CO	74993-102
63784-1YYLFF	TELCORDIA CO	84625-102LFF
63784-5YYY	TELCORDIA UE	74993-502
63784-5YYLFF	TELCORDIA UE	84625-502LFF
63784-9YYY	TELCORDIA CO	74993-102
63784-9YYLFF	TELCORDIA CO	84625-102LFF
63784-AYYY	CUSTOMER SPECIAL	74993-102
63784-AYYLFF	CUSTOMER SPECIAL	84625-102LFF



DETAIL A  
SCALE 4:1  
SEE NOTE 16



mat'l code SEE NOTE 5				tolerances unless otherwise specified				CUSTOMER			FCI www.fciconnect.com	
ltr	ecr no.	dr	date	linear		0.X ±0.3		COPY			title VERTICAL SIGNAL HDR 8 ROW P.F. 96 POS. SELECT LOAD EXT.	
AH	V06-0498	DCH	2006-05-30	0.XX ±0.13		projection			product family METRAL 1000 code size dwg no A 63784 213			
AJ	V07-0169	DCH	2007-03-27	.XXX ±0.051		MM				sheet 1 of 10		
AK	V08-0016	HTB	2008-01-10	angles 0° ±2°		scale 1:1			cage code 22526			
AL	V08-0051	LP	2008-02-19	dr	E. KROPER.	2001-01-10	sheet index			4		
-	-	-	-	enrg	J. VOLSTORF	2001-01-10	1					
AF	V05-1022	LP	2005-11-08	chr	J. VOLSTORF	2001-01-10	2					
AG	V05-1125	LP	2005-12-19	appd	J. VOLSTORF	2001-01-10	3					
revision				AL	AL	AL	AL	AL	AL	AL	AL	
sheet				1	2	3	4	5	6	7	8	
index				1	2	3	4	5	6	7	8	

PIN NO.	DIM A MATING LENGTH	DIM B TAIL LENGTH	PCB THICKNESS RANGE ACCOMMODATED BY PIN'S TAIL LENGTH				
			WHEN MATING TO A 74981 SERIES RECEPTACLE		WHEN MATING TO A 52066 SERIES METRAL 4000 RECEPTACLE		
			ROWS A,B, C,D,E,F,G & H	GROUND ROW	ROWS:A,B, D,E,G & H	ROW C & F	GROUND ROW
01*	5.00	4.30	1.60 MIN	1.60 MIN	1.60 MIN	1.60 MIN	1.60 MIN
22		12.20	2.95 - 3.80	2.95 - 4.20	2.95 - 3.80	2.95 - 3.80	2.95 - 4.20
30		12.95	2.95 - 4.55	3.25 - 4.95	2.95 - 4.55	2.95 - 4.55	3.25 - 4.95
05		13.70	2.95 - 5.30	4.00 - 5.70	3.30 - 5.30	2.95 - 5.30	4.00 - 5.70
35		14.45	3.05 - 6.05	4.75 - 6.45	4.05 - 6.05	3.05 - 6.05	4.75 - 6.45
48		15.20	3.80 - 6.80	5.50 - 7.20	4.80 - 6.80	3.80 - 6.80	5.50 - 7.20
40		15.70	4.30 - 7.30	6.00 - 7.70	5.30 - 7.30	4.30 - 7.30	6.00 - 7.70
65		16.40	5.00 - 8.00	6.70 - 8.40	6.00 - 8.00	5.00 - 8.00	6.70 - 8.40
09		17.10	5.70 - 8.70	7.40 - 9.10	6.70 - 8.70	5.70 - 8.70	7.40 - 9.10
02*	5.75	4.30	1.60 MIN	1.60 MIN	1.60 MIN	1.60 MIN	1.60 MIN
44		12.20	2.95 - 3.80	2.95 - 4.20	2.95 - 3.80	2.95 - 3.80	2.95 - 4.20
31		12.95	2.95 - 4.55	3.25 - 4.95	2.95 - 4.55	2.95 - 4.55	3.25 - 4.95
06		13.70	2.95 - 5.30	4.00 - 5.70	3.30 - 5.30	2.95 - 5.30	4.00 - 5.70
36		14.45	3.05 - 6.05	4.75 - 6.45	4.05 - 6.05	3.05 - 6.05	4.75 - 6.45
49		15.20	3.80 - 6.80	5.50 - 7.20	4.80 - 6.80	3.80 - 6.80	5.50 - 7.20
25		15.70	4.30 - 7.30	6.00 - 7.70	5.30 - 7.30	4.30 - 7.30	6.00 - 7.70
66		16.40	5.00 - 8.00	6.70 - 8.40	6.00 - 8.00	5.00 - 8.00	6.70 - 8.40
10		17.10	5.70 - 8.70	7.40 - 9.10	6.70 - 8.70	5.70 - 8.70	7.40 - 9.10
03*	6.50	4.30	1.60 MIN	1.60 MIN	1.60 MIN	1.60 MIN	1.60 MIN
45		12.20	2.95 - 3.80	2.95 - 4.20	2.95 - 3.80	2.95 - 3.80	2.95 - 4.20
32		12.95	2.95 - 4.55	3.25 - 4.95	2.95 - 4.55	2.95 - 4.55	3.25 - 4.95
07		13.70	2.95 - 5.30	4.00 - 5.70	3.30 - 5.30	2.95 - 5.30	4.00 - 5.70
37		14.45	3.05 - 6.05	4.75 - 6.45	4.05 - 6.05	3.05 - 6.05	4.75 - 6.45
50		15.20	3.80 - 6.80	5.50 - 7.20	4.80 - 6.80	3.80 - 6.80	5.50 - 7.20
41		15.70	4.30 - 7.30	6.00 - 7.70	5.30 - 7.30	4.30 - 7.30	6.00 - 7.70
24		16.40	5.00 - 8.00	6.70 - 8.40	6.00 - 8.00	5.00 - 8.00	6.70 - 8.40
11		17.10	5.70 - 8.70	7.40 - 9.10	6.70 - 8.70	5.70 - 8.70	7.40 - 9.10



This document is the property of and embodies CONFIDENTIAL and PROPRIETARY information of FCI. No part of the information shown on this document may be used in any way or disclosed to others without the written consent of FCI. Copyright FCI.

mat'l code SEE NOTE 5				tolerances unless otherwise specified		CUSTOMER	FCI www.fciconnect.com		
ltr	ecn no.	dr	date	linear	0.X ±0.3	projection	COPY		
AL					0.XX ±0.13		title VERTICAL SIGNAL HDR 8 ROW P.F. 96 POS. SELECT LOAD EXT.		
					.XXX ±.051		product family METRAL 1000 code 213		
				angles	0° ±2°	 MM	size	sheet 2	
				dr	E. KROPER. 2001-01-10		A	63784	
				engr	J. VOLSTORF 2001-01-10			2	
				chr	J. VOLSTORF 2001-01-10			2	
				appd	J. VOLSTORF 2001-01-10	2			
sheet index	revision sheet					scale 1:1	cage code 22526		

PIN NO.	DIM A MATING LENGTH	DIM B TAIL LENGTH	PCB THICKNESS RANGE ACCOMMODATED BY PIN LENGTH				
			WHEN MATING TO A 74981 SERIES RECEPTACLE		WHEN MATING TO A 52066 SERIES METRAL 4000 RECEPTACLE		
			ROWS A,B,C, D,E,F,G & H	GROUND ROW	ROWS:A,B, D,E,G & H	ROW C & F	GROUND ROW
04*	7.25	4.30	1.60 MIN	1.60 MIN	1.60 MIN	1.60 MIN	1.60 MIN
46		12.20	2.95 - 3.80	2.95 - 4.20	2.95 - 3.80	2.95 - 3.80	2.95 - 4.20
33		12.95	2.95 - 4.55	3.25 - 4.95	2.95 - 4.55	2.95 - 4.55	3.25 - 4.95
08		13.70	2.95 - 5.30	4.00 - 5.70	3.30 - 5.30	2.95 - 5.30	4.00 - 5.70
38		14.45	3.05 - 6.05	4.75 - 6.45	4.05 - 6.05	3.05 - 6.05	4.75 - 6.45
51		15.20	3.80 - 6.80	5.50 - 7.20	4.80 - 6.80	3.80 - 6.80	5.50 - 7.20
42		15.70	4.30 - 7.30	6.00 - 7.70	5.30 - 7.30	4.30 - 7.30	6.00 - 7.70
67		16.40	5.00 - 8.00	6.70 - 8.40	6.00 - 8.00	5.00 - 8.00	6.70 - 8.40
12		17.10	5.70 - 8.70	7.40 - 9.10	6.70 - 8.70	5.70 - 8.70	7.40 - 9.10
19*	8.00	4.30	1.60 MIN	1.60 MIN	1.60 MIN	1.60 MIN	1.60 MIN
47		12.20	2.95 - 3.80	2.95 - 4.20	2.95 - 3.80	2.95 - 3.80	2.95 - 4.20
34		12.95	2.95 - 4.55	3.25 - 4.95	2.95 - 4.55	2.95 - 4.55	3.25 - 4.95
20		13.70	2.95 - 5.30	4.00 - 5.70	3.30 - 5.30	2.95 - 5.30	4.00 - 5.70
39		14.45	3.05 - 6.05	4.75 - 6.45	4.05 - 6.05	3.05 - 6.05	4.75 - 6.45
52		15.20	3.80 - 6.80	5.50 - 7.20	4.80 - 6.80	3.80 - 6.80	5.50 - 7.20
43		15.70	4.30 - 7.30	6.00 - 7.70	5.30 - 7.30	4.30 - 7.30	6.00 - 7.70
68		16.40	5.00 - 8.00	6.70 - 8.40	6.00 - 8.00	5.00 - 8.00	6.70 - 8.40
21		17.10	5.70 - 8.70	7.40 - 9.10	6.70 - 8.70	5.70 - 8.70	7.40 - 9.10

A

A



This document is the property of and embodies CONFIDENTIAL and PROPRIETARY information of FCI. No part of the information shown on this document may be used in any way or disclosed to others without the written consent of FCI. Copyright FCI.

\* STUB PINS - NO REAR PLUG-UP

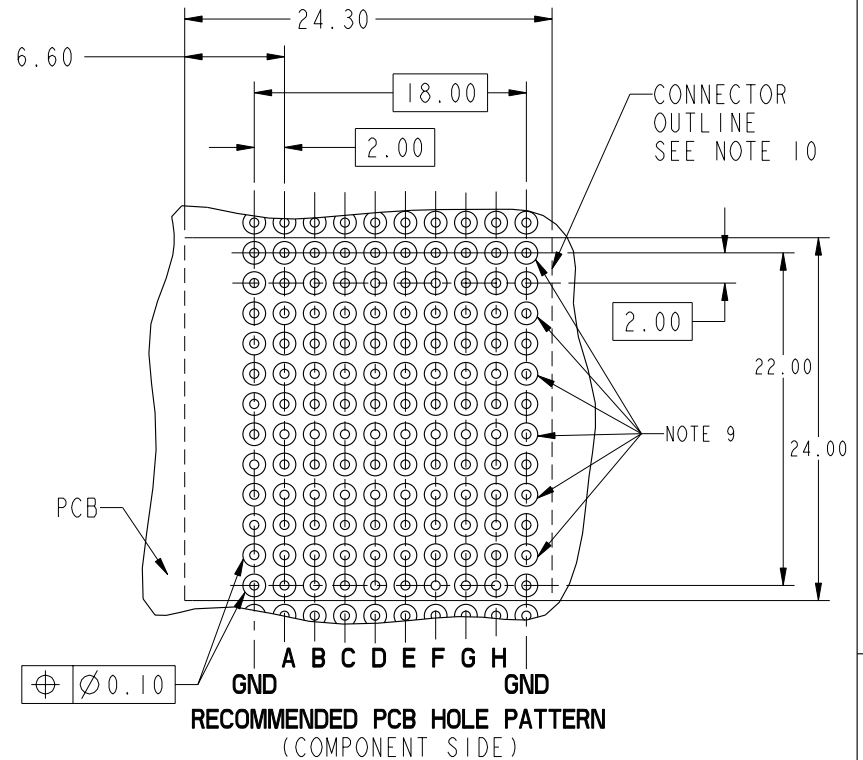
\*\* THE GREATEST RANGE OCCURS WHEN THE B DIMENSION OF PIN 'GND' IS ONE SIZE SHORTER THEN THE OTHER PINS.

mat'l code SEE NOTE 5				tolerances unless otherwise specified		CUSTOMER	www.fciconnect.com		
ltr	ecn no.	dr	date	linear	0.X ±0.3	projection	COPY		
AL					0.XX ±0.13			title VERTICAL SIGNAL HDR 8 ROW P.F. 96 POS. SELECT LOAD EXT.	
					.XXX ±.051			product family METRAL 1000 code 213	
				angles	0° ±2°		size	sheet 3	
				dr	E. KROPER. 2001-01-10		A	63784	3
				engr	J. VOLSTORF 2001-01-10				
				chr	J. VOLSTORF 2001-01-10				
				appd	J. VOLSTORF 2001-01-10				
sheet index	revision sheet					scale 1:1			

B

B

PRODUCT NUMBER  
SEE SHEET 1



PRESS-FIT HOLES *	OPTION 1
HOLE DIAMETER AFTER PLATING	$\varnothing 0.65-0.80$
DRILLED HOLE	$\varnothing 0.81-0.86$ ( $\varnothing 0.85$ DRILL)
COPPER PLATING	0.025 MIN
SnPb PLATING	0.005-0.015

\* SEE PRINT 58351 FOR  
ADDITIONAL PCB INFO.

mat'l code SEE NOTE 5				tolerances unless otherwise specified		CUSTOMER		FCI www.fciconnect.com		
ltr	ecn no.	dr	date	linear	0.X ±0.3	COPY		projection	title VERTICAL SIGNAL HDR 8 ROW P.F. 96 POS. SELECT LOAD EXT.	
AL					0.XX ±0.13	MM				product family METRAL 1000 code 213
					.XXX ±.051	1:1				
				angles	0° ±2°	scale				
				dr	E. KROPER. 2001-01-10					
				engr	J. VOLSTORF 2001-01-10					
				chr	J. VOLSTORF 2001-01-10					
				appd	J. VOLSTORF 2001-01-10					
sheet index	revision sheet									

This document is the property of and embodies  
CONFIDENTIAL and PROPRIETARY information of FCI.  
No part of the information shown on this  
document may be used in any way or disclosed  
to others without the written consent of FCI.  
Copyright FCI.

PRODUCT NUMBER

SEE SHEET 1

NOTES:

- 1. SEE APPLICATION SPECIFICATION GS-20-010 FOR INFORMATION ON AVAILABLE TOOLING, CURCUIT BOARD DESIGN CONSIDERATIONS, REPAIR PROCEDURES AND PRODUCT OFFERINGS.
- 2. SEE FCI PUBLICATION 950511-028 FOR "ELECTRICAL PERFORMANCE DATA FOR DIFFERENTIAL APPLICATIONS."
- 3. SEE FCI PUBLICATION 950511-028 FOR "ELECTRICAL PERFORMANCE DATA FOR SINGLE-ENDED APPLICATION."
- 4. UNLESS OTHERWISE SPECIFIED, ALL DIMENSIONS AND TOLERANCES TOLERANCES ARE IN ACCORDANCE WITH ASME Y14.5M, 1994
- 5. HOUSING MATERIAL: LIQUID CRYSTAL POLYMER, 30% GLASS FILLED, FLAME RETARDANT PER UL 94-V0.  
PIN MATERIAL: PHOSPHER BRONZE  
GROUND SPRING MATERIAL: PHOSPHER BRONZE
- 6. PLATING INFORMATION: PLATING ON CONTACT AREA MEETS THE PERFORMANCE LEVELS SHOWN IN TABLE ON SHEET 1. PLATING ON "LF" TAILS IS Sn. PLATING ON ALL OTHER TAILS IS SnPb.
- 7. DIMENSIONAL RESTRICTIONS OF PINS IN HEADERS.  
FOR MATING WITH METRAL 1000 RECEPTACLES  
DIM A : 5.00mm MIN, 8.00mm MAX FOR ROWS A-H  
DIM A : 5.00mm MIN, 5.75mm MAX FOR ROW GND NEXT TO ROW A  
DIM C : 5.00mm MIN, 8.00mm MAX FOR ROWS A-H  
DIM C : 4.60mm MIN, 6.30mm MAX FOR ROW GND NEXT TO ROW A  
FOR MATING WITH METRAL 4000 RECEPTACLES  
DIM A : 5.00mm MIN, 6.50mm MAX FOR ROWS A, B, D, E, G & H  
DIM A : 5.00mm MIN, 8.00mm MAX FOR ROW C & F  
DIM A : 5.00mm MIN, 5.75mm MAX FOR ROW GND NEXT TO ROW A  
DIM C : 5.00mm MIN, 7.00mm MAX FOR ROWS A, B, D, E, G & H  
DIM C : 5.00mm MIN, 8.00mm MAX FOR ROW C & F  
DIM C : 4.60mm MIN, 6.30mm MAX FOR ROW GND NEXT TO ROW A
- 8. THE MIN PCB THICKNESS FOR REAR PLUG-UP APPLICATIONS IS 2.9mm SINCE THE COMPLIANT SECTIONS OF THE GROUND SPRING OF THE HEADER DIRECTLY OPPOSE THE GROUND SPRING OF THE SHROUD. THE MIN PCB THICKNESS FOR FRONT PLUG-UP ONLY APPLICATIONS IS 1.6mm.

- 9. THESE HOLES ARE NEEDED FOR REAR PLUG-UP DESIGNS USING A SHROUD AND MAY BE OMITTED FOR FRONT PLUG-UP ONLY DESIGNS.
- 10. THE 'CONNECTOR OUTLINE' IS THE MIN OUTLINE REQUIRED. TO DETERMINE THE OUTLINE NECESSARY TO PERMIT THE VARIOUS TYPES OF REPAIR OPERATIONS, SEE APPLICATION SPECIFICATION GS-20-010.
- 11. CURRENT RATING : 1 AMP PER PIN
- 12. TEMPERATURE RANGE : -55°C TO +105°C
- 13. P/N 63784-XXXXLF
- 14. AFTER INSERTION INTO CIRCUIT BOARD WITH QUALIFIED TOOL.
- 15. PRODUCTS WHERE THE PART NUMBER ENDS IN LF MEET EUROPEAN UNION DIRECTIVES AND OTHER COUNTRY REGULATIONS AS DESCRIBED IN GS-22-008.



ALL PRODUCTS WILL WITHSTAND EXPOSURE TO 260°C FOR 60 SECONDS IN A CONVECTION, INFRA-RED OR VAPOR PHASE REFLOW OVEN.

- 16. PIN TYPE IS AT THE MANUFACTURERS OPTION AND CAN BE EITHER BABY-H OR EYE OF THE NEEDLE STYLE



This document is the property of and embodies CONFIDENTIAL and PROPRIETARY information of FCI. No part of the information shown on this document may be used in any way or disclosed to others without the written consent of FCI. Copyright FCI.

mat'l code SEE NOTE 5				tolerances unless otherwise specified		CUSTOMER		www.fciconnect.com				
ltr	ecn no.	dr	date	linear	0.X ±0.3	COPY			title VERTICAL SIGNAL HDR 8 ROW P.F. 96 POS. SELECT LOAD EXT.			
AL					0.XX ±0.13	projection						
					.XXX ±.051							
				angles	0° ±2°			product family	METRAL 1000	code		
				dr	E. KROPER.	2001-01-10			size	dwg no	213	
				engr	J. VOLSTORF	2001-01-10			A	63784	sheet	5
				chr	J. VOLSTORF	2001-01-10						
				appd	J. VOLSTORF	2001-01-10						
sheet index	revision sheet											



This document is the property of and embodies CONFIDENTIAL and PROPRIETARY information of FCI. No part of the information shown on this document may be used in any way or disclosed to others without the written consent of FCI. Copyright FCI.

1   2	<table border="1"> <tr><td>METRAL P/N</td><td>ROW</td><td colspan="12">CONTACT CODE</td></tr> <tr><td rowspan="8">63784-X001  FOR LEAD FREE SEE NOTE 15</td><td>H</td><td>01</td><td>01</td><td>01</td><td>01</td><td>01</td><td>01</td><td>01</td><td>01</td><td>01</td><td>01</td><td>01</td><td>01</td></tr> <tr><td>G</td><td>01</td><td>01</td><td>01</td><td>01</td><td>01</td><td>01</td><td>03</td><td>03</td><td>03</td><td>01</td><td>01</td><td>19</td></tr> <tr><td>F</td><td>01</td><td>01</td><td>01</td><td>01</td><td>01</td><td>19</td><td>01</td><td>01</td><td>01</td><td>01</td><td>01</td><td>19</td></tr> <tr><td>E</td><td>01</td><td>01</td><td>01</td><td>01</td><td>01</td><td>19</td><td>01</td><td>03</td><td>03</td><td>03</td><td>01</td><td>19</td></tr> <tr><td>D</td><td>01</td><td>01</td><td>01</td><td>01</td><td>01</td><td>19</td><td>01</td><td>01</td><td>01</td><td>01</td><td>01</td><td>19</td></tr> <tr><td>C</td><td>01</td><td>01</td><td>01</td><td>01</td><td>01</td><td>19</td><td>01</td><td>01</td><td>01</td><td>01</td><td>01</td><td>19</td></tr> <tr><td>B</td><td>01</td><td>01</td><td>01</td><td>01</td><td>01</td><td>19</td><td>01</td><td>01</td><td>01</td><td>01</td><td>01</td><td>19</td></tr> <tr><td>A</td><td>01</td><td>01</td><td>01</td><td>01</td><td>01</td><td>01</td><td>01</td><td>01</td><td>01</td><td>01</td><td>01</td><td>19</td></tr> <tr><td>GND</td><td></td><td>01</td><td>01</td><td>01</td><td>01</td><td>01</td><td>01</td><td>01</td><td>01</td><td>01</td><td>01</td><td>01</td></tr> </table> <p>CANNOT BE MATED TO A METRAL 4000 RECEPTACLE</p>	METRAL P/N	ROW	CONTACT CODE												63784-X001  FOR LEAD FREE SEE NOTE 15	H	01	01	01	01	01	01	01	01	01	01	01	01	G	01	01	01	01	01	01	03	03	03	01	01	19	F	01	01	01	01	01	19	01	01	01	01	01	19	E	01	01	01	01	01	19	01	03	03	03	01	19	D	01	01	01	01	01	19	01	01	01	01	01	19	C	01	01	01	01	01	19	01	01	01	01	01	19	B	01	01	01	01	01	19	01	01	01	01	01	19	A	01	01	01	01	01	01	01	01	01	01	01	19	GND		01	01	01	01	01	01	01	01	01	01	01	3	<table border="1"> <tr><td>METRAL P/N</td><td>ROW</td><td colspan="12">CONTACT CODE</td></tr> <tr><td rowspan="8">63784-X006 RPU  FOR LEAD FREE SEE NOTE 15</td><td>H</td><td>05</td><td>05</td><td>05</td><td>05</td><td>05</td><td>05</td><td>05</td><td>05</td><td>05</td><td>05</td><td>05</td><td>05</td></tr> <tr><td>G</td><td>05</td><td>05</td><td>05</td><td>05</td><td>05</td><td>05</td><td>05</td><td>05</td><td>05</td><td>05</td><td>05</td><td>05</td></tr> <tr><td>F</td><td>05</td><td>05</td><td>05</td><td>05</td><td>05</td><td>05</td><td>05</td><td>05</td><td>05</td><td>05</td><td>05</td><td>05</td></tr> <tr><td>E</td><td>05</td><td>05</td><td>05</td><td>05</td><td>05</td><td>05</td><td>05</td><td>05</td><td>05</td><td>05</td><td>05</td><td>05</td></tr> <tr><td>D</td><td>19</td><td>19</td><td>19</td><td>19</td><td>19</td><td>19</td><td>19</td><td>19</td><td>19</td><td>19</td><td>19</td><td>19</td></tr> <tr><td>C</td><td>01</td><td>01</td><td>01</td><td>01</td><td>01</td><td>01</td><td>01</td><td>01</td><td>01</td><td>01</td><td>01</td><td>01</td></tr> <tr><td>B</td><td>01</td><td>01</td><td>01</td><td>01</td><td>01</td><td>01</td><td>01</td><td>01</td><td>01</td><td>01</td><td>01</td><td>01</td></tr> <tr><td>A</td><td>01</td><td>01</td><td>01</td><td>01</td><td>01</td><td>01</td><td>01</td><td>01</td><td>01</td><td>01</td><td>01</td><td>01</td></tr> <tr><td>GND</td><td></td><td>01</td><td>01</td><td>01</td><td>01</td><td>01</td><td>01</td><td>01</td><td>01</td><td>01</td><td>01</td><td>01</td></tr> </table> <p>FOR REAR PLUG UP APPLICATIONS, PCB THICKNESS RANGE: 2.95 -5.30 WHEN MATED TO METRAL 1000 RECEPT. AND THIS CONFIGURATION CANNOT BE MATED TO A METRAL 4000 RECEPT. (2.30 MIN IN NON-STANDARD REAR PLUG UP APPLICATIONS)</p>	METRAL P/N	ROW	CONTACT CODE												63784-X006 RPU  FOR LEAD FREE SEE NOTE 15	H	05	05	05	05	05	05	05	05	05	05	05	05	G	05	05	05	05	05	05	05	05	05	05	05	05	F	05	05	05	05	05	05	05	05	05	05	05	05	E	05	05	05	05	05	05	05	05	05	05	05	05	D	19	19	19	19	19	19	19	19	19	19	19	19	C	01	01	01	01	01	01	01	01	01	01	01	01	B	01	01	01	01	01	01	01	01	01	01	01	01	A	01	01	01	01	01	01	01	01	01	01	01	01	GND		01	01	01	01	01	01	01	01	01	01	01	4												
METRAL P/N	ROW	CONTACT CODE																																																																																																																																																																																																																																																																																						
63784-X001  FOR LEAD FREE SEE NOTE 15	H	01	01	01	01	01	01	01	01	01	01	01	01																																																																																																																																																																																																																																																																											
	G	01	01	01	01	01	01	03	03	03	01	01	19																																																																																																																																																																																																																																																																											
	F	01	01	01	01	01	19	01	01	01	01	01	19																																																																																																																																																																																																																																																																											
	E	01	01	01	01	01	19	01	03	03	03	01	19																																																																																																																																																																																																																																																																											
	D	01	01	01	01	01	19	01	01	01	01	01	19																																																																																																																																																																																																																																																																											
	C	01	01	01	01	01	19	01	01	01	01	01	19																																																																																																																																																																																																																																																																											
	B	01	01	01	01	01	19	01	01	01	01	01	19																																																																																																																																																																																																																																																																											
	A	01	01	01	01	01	01	01	01	01	01	01	19																																																																																																																																																																																																																																																																											
GND		01	01	01	01	01	01	01	01	01	01	01																																																																																																																																																																																																																																																																												
METRAL P/N	ROW	CONTACT CODE																																																																																																																																																																																																																																																																																						
63784-X006 RPU  FOR LEAD FREE SEE NOTE 15	H	05	05	05	05	05	05	05	05	05	05	05	05																																																																																																																																																																																																																																																																											
	G	05	05	05	05	05	05	05	05	05	05	05	05																																																																																																																																																																																																																																																																											
	F	05	05	05	05	05	05	05	05	05	05	05	05																																																																																																																																																																																																																																																																											
	E	05	05	05	05	05	05	05	05	05	05	05	05																																																																																																																																																																																																																																																																											
	D	19	19	19	19	19	19	19	19	19	19	19	19																																																																																																																																																																																																																																																																											
	C	01	01	01	01	01	01	01	01	01	01	01	01																																																																																																																																																																																																																																																																											
	B	01	01	01	01	01	01	01	01	01	01	01	01																																																																																																																																																																																																																																																																											
	A	01	01	01	01	01	01	01	01	01	01	01	01																																																																																																																																																																																																																																																																											
GND		01	01	01	01	01	01	01	01	01	01	01																																																																																																																																																																																																																																																																												
1   2	<table border="1"> <tr><td>METRAL P/N</td><td>ROW</td><td colspan="12">CONTACT CODE</td></tr> <tr><td rowspan="8">63784-X002 RPU  FOR LEAD FREE SEE NOTE 15</td><td>H</td><td>05</td><td>05</td><td>05</td><td>05</td><td>05</td><td>05</td><td>05</td><td>05</td><td>05</td><td>05</td><td>05</td><td>05</td></tr> <tr><td>G</td><td>05</td><td>05</td><td>05</td><td>05</td><td>05</td><td>05</td><td>05</td><td>05</td><td>05</td><td>05</td><td>05</td><td>05</td></tr> <tr><td>F</td><td>05</td><td>05</td><td>05</td><td>05</td><td>05</td><td>05</td><td>05</td><td>05</td><td>05</td><td>05</td><td>05</td><td>05</td></tr> <tr><td>E</td><td>05</td><td>05</td><td>05</td><td>05</td><td>05</td><td>05</td><td>05</td><td>05</td><td>05</td><td>05</td><td>05</td><td>05</td></tr> <tr><td>D</td><td>01</td><td>01</td><td>01</td><td>01</td><td>01</td><td>01</td><td>01</td><td>01</td><td>01</td><td>01</td><td>01</td><td>01</td></tr> <tr><td>C</td><td>01</td><td>01</td><td>01</td><td>01</td><td>01</td><td>01</td><td>01</td><td>01</td><td>01</td><td>01</td><td>01</td><td>01</td></tr> <tr><td>B</td><td>01</td><td>01</td><td>01</td><td>01</td><td>01</td><td>01</td><td>01</td><td>01</td><td>01</td><td>01</td><td>01</td><td>01</td></tr> <tr><td>A</td><td>01</td><td>01</td><td>01</td><td>01</td><td>01</td><td>01</td><td>01</td><td>01</td><td>01</td><td>01</td><td>01</td><td>01</td></tr> <tr><td>GND</td><td></td><td>01</td><td>01</td><td>01</td><td>01</td><td>01</td><td>01</td><td>01</td><td>01</td><td>01</td><td>01</td><td>01</td></tr> </table> <p>FOR REAR PLUG UP APPLICATIONS, PCB THICKNESS RANGE: 2.95 -5.30 WHEN MATED TO METRAL 1000 RECEPT. AND 3.30-5.30 WHEN MATED TO METRAL 4000 RECEPT. (2.30 MIN IN NON-STANDARD REAR PLUG UP APPLICATIONS)</p>	METRAL P/N	ROW	CONTACT CODE												63784-X002 RPU  FOR LEAD FREE SEE NOTE 15	H	05	05	05	05	05	05	05	05	05	05	05	05	G	05	05	05	05	05	05	05	05	05	05	05	05	F	05	05	05	05	05	05	05	05	05	05	05	05	E	05	05	05	05	05	05	05	05	05	05	05	05	D	01	01	01	01	01	01	01	01	01	01	01	01	C	01	01	01	01	01	01	01	01	01	01	01	01	B	01	01	01	01	01	01	01	01	01	01	01	01	A	01	01	01	01	01	01	01	01	01	01	01	01	GND		01	01	01	01	01	01	01	01	01	01	01	3	<table border="1"> <tr><td>METRAL P/N</td><td>ROW</td><td colspan="12">CONTACT CODE</td></tr> <tr><td rowspan="8">63784-X007  FOR LEAD FREE SEE NOTE 15</td><td>H</td><td>02</td><td>02</td><td>02</td><td>02</td><td>02</td><td>02</td><td>02</td><td>02</td><td>02</td><td>02</td><td>02</td><td>02</td></tr> <tr><td>G</td><td>02</td><td>02</td><td>02</td><td>02</td><td>02</td><td>02</td><td>02</td><td>02</td><td>02</td><td>02</td><td>02</td><td>02</td></tr> <tr><td>F</td><td>02</td><td>02</td><td>02</td><td>02</td><td>02</td><td>02</td><td>02</td><td>02</td><td>02</td><td>02</td><td>02</td><td>02</td></tr> <tr><td>E</td><td>03</td><td>01</td><td>02</td><td>02</td><td>02</td><td>02</td><td>02</td><td>02</td><td>02</td><td>02</td><td>02</td><td>02</td></tr> <tr><td>D</td><td>02</td><td>02</td><td>02</td><td>02</td><td>02</td><td>02</td><td>02</td><td>02</td><td>02</td><td>02</td><td>02</td><td>03</td></tr> <tr><td>C</td><td>02</td><td>02</td><td>02</td><td>02</td><td>02</td><td>02</td><td>02</td><td>02</td><td>02</td><td>02</td><td>02</td><td>02</td></tr> <tr><td>B</td><td>02</td><td>02</td><td>02</td><td>02</td><td>02</td><td>02</td><td>02</td><td>02</td><td>02</td><td>02</td><td>02</td><td>02</td></tr> <tr><td>A</td><td>02</td><td>02</td><td>02</td><td>02</td><td>02</td><td>02</td><td>02</td><td>02</td><td>02</td><td>02</td><td>02</td><td>02</td></tr> <tr><td>GND</td><td></td><td>02</td><td>02</td><td>02</td><td>02</td><td>02</td><td>02</td><td>02</td><td>02</td><td>02</td><td>02</td><td>02</td></tr> </table>	METRAL P/N	ROW	CONTACT CODE												63784-X007  FOR LEAD FREE SEE NOTE 15	H	02	02	02	02	02	02	02	02	02	02	02	02	G	02	02	02	02	02	02	02	02	02	02	02	02	F	02	02	02	02	02	02	02	02	02	02	02	02	E	03	01	02	02	02	02	02	02	02	02	02	02	D	02	02	02	02	02	02	02	02	02	02	02	03	C	02	02	02	02	02	02	02	02	02	02	02	02	B	02	02	02	02	02	02	02	02	02	02	02	02	A	02	02	02	02	02	02	02	02	02	02	02	02	GND		02	02	02	02	02	02	02	02	02	02	02	4												
METRAL P/N	ROW	CONTACT CODE																																																																																																																																																																																																																																																																																						
63784-X002 RPU  FOR LEAD FREE SEE NOTE 15	H	05	05	05	05	05	05	05	05	05	05	05	05																																																																																																																																																																																																																																																																											
	G	05	05	05	05	05	05	05	05	05	05	05	05																																																																																																																																																																																																																																																																											
	F	05	05	05	05	05	05	05	05	05	05	05	05																																																																																																																																																																																																																																																																											
	E	05	05	05	05	05	05	05	05	05	05	05	05																																																																																																																																																																																																																																																																											
	D	01	01	01	01	01	01	01	01	01	01	01	01																																																																																																																																																																																																																																																																											
	C	01	01	01	01	01	01	01	01	01	01	01	01																																																																																																																																																																																																																																																																											
	B	01	01	01	01	01	01	01	01	01	01	01	01																																																																																																																																																																																																																																																																											
	A	01	01	01	01	01	01	01	01	01	01	01	01																																																																																																																																																																																																																																																																											
GND		01	01	01	01	01	01	01	01	01	01	01																																																																																																																																																																																																																																																																												
METRAL P/N	ROW	CONTACT CODE																																																																																																																																																																																																																																																																																						
63784-X007  FOR LEAD FREE SEE NOTE 15	H	02	02	02	02	02	02	02	02	02	02	02	02																																																																																																																																																																																																																																																																											
	G	02	02	02	02	02	02	02	02	02	02	02	02																																																																																																																																																																																																																																																																											
	F	02	02	02	02	02	02	02	02	02	02	02	02																																																																																																																																																																																																																																																																											
	E	03	01	02	02	02	02	02	02	02	02	02	02																																																																																																																																																																																																																																																																											
	D	02	02	02	02	02	02	02	02	02	02	02	03																																																																																																																																																																																																																																																																											
	C	02	02	02	02	02	02	02	02	02	02	02	02																																																																																																																																																																																																																																																																											
	B	02	02	02	02	02	02	02	02	02	02	02	02																																																																																																																																																																																																																																																																											
	A	02	02	02	02	02	02	02	02	02	02	02	02																																																																																																																																																																																																																																																																											
GND		02	02	02	02	02	02	02	02	02	02	02																																																																																																																																																																																																																																																																												
1   2	<table border="1"> <tr><td>METRAL P/N</td><td>ROW</td><td colspan="12">CONTACT CODE</td></tr> <tr><td rowspan="8">63784-X003 RPU  FOR LEAD FREE SEE NOTE 15</td><td>H</td><td>01</td><td>01</td><td>01</td><td>01</td><td>01</td><td>01</td><td>01</td><td>01</td><td>01</td><td>01</td><td>01</td><td>01</td></tr> <tr><td>G</td><td>01</td><td>01</td><td>01</td><td>01</td><td>01</td><td>01</td><td>01</td><td>01</td><td>01</td><td>01</td><td>01</td><td>01</td></tr> <tr><td>F</td><td>01</td><td>01</td><td>01</td><td>01</td><td>01</td><td>01</td><td>01</td><td>01</td><td>01</td><td>01</td><td>01</td><td>01</td></tr> <tr><td>E</td><td>05</td><td>05</td><td>05</td><td>05</td><td>05</td><td>05</td><td>05</td><td>05</td><td>05</td><td>05</td><td>05</td><td>05</td></tr> <tr><td>D</td><td>05</td><td>05</td><td>05</td><td>05</td><td>05</td><td>05</td><td>05</td><td>05</td><td>05</td><td>05</td><td>05</td><td>05</td></tr> <tr><td>C</td><td>05</td><td>05</td><td>05</td><td>05</td><td>05</td><td>05</td><td>05</td><td>05</td><td>05</td><td>05</td><td>05</td><td>05</td></tr> <tr><td>B</td><td>05</td><td>05</td><td>05</td><td>05</td><td>05</td><td>05</td><td>05</td><td>05</td><td>05</td><td>05</td><td>05</td><td>05</td></tr> <tr><td>A</td><td>05</td><td>05</td><td>05</td><td>05</td><td>05</td><td>05</td><td>05</td><td>05</td><td>05</td><td>05</td><td>05</td><td>05</td></tr> <tr><td>GND</td><td></td><td>01</td><td>01</td><td>01</td><td>01</td><td>01</td><td>01</td><td>01</td><td>01</td><td>01</td><td>01</td><td>01</td></tr> </table> <p>FOR REAR PLUG UP APPLICATIONS, PCB THICKNESS RANGE: 2.95 -5.30 WHEN MATED TO METRAL 1000 RECEPT. AND 3.30-5.30 WHEN MATED TO METRAL 4000 RECEPT. (2.30 MIN IN NON-STANDARD REAR PLUG UP APPLICATIONS)</p>	METRAL P/N	ROW	CONTACT CODE												63784-X003 RPU  FOR LEAD FREE SEE NOTE 15	H	01	01	01	01	01	01	01	01	01	01	01	01	G	01	01	01	01	01	01	01	01	01	01	01	01	F	01	01	01	01	01	01	01	01	01	01	01	01	E	05	05	05	05	05	05	05	05	05	05	05	05	D	05	05	05	05	05	05	05	05	05	05	05	05	C	05	05	05	05	05	05	05	05	05	05	05	05	B	05	05	05	05	05	05	05	05	05	05	05	05	A	05	05	05	05	05	05	05	05	05	05	05	05	GND		01	01	01	01	01	01	01	01	01	01	01	3	<table border="1"> <tr><td>METRAL P/N</td><td>ROW</td><td colspan="12">CONTACT CODE</td></tr> <tr><td rowspan="8">63784-X008  FOR LEAD FREE SEE NOTE 15</td><td>H</td><td>02</td><td>02</td><td>02</td><td>02</td><td>02</td><td>02</td><td>01</td><td>01</td><td>01</td><td>01</td><td>01</td><td>01</td></tr> <tr><td>G</td><td>02</td><td>02</td><td>02</td><td>02</td><td>02</td><td>02</td><td>02</td><td>02</td><td>02</td><td>02</td><td>02</td><td>02</td></tr> <tr><td>F</td><td>02</td><td>02</td><td>02</td><td>02</td><td>02</td><td>02</td><td>02</td><td>02</td><td>02</td><td>02</td><td>02</td><td>02</td></tr> <tr><td>E</td><td>02</td><td>02</td><td>02</td><td>02</td><td>02</td><td>02</td><td>02</td><td>02</td><td>02</td><td>02</td><td>02</td><td>02</td></tr> <tr><td>D</td><td>02</td><td>02</td><td>02</td><td>02</td><td>02</td><td>02</td><td>02</td><td>02</td><td>02</td><td>02</td><td>02</td><td>02</td></tr> <tr><td>C</td><td>02</td><td>02</td><td>02</td><td>02</td><td>02</td><td>02</td><td>02</td><td>02</td><td>02</td><td>02</td><td>02</td><td>02</td></tr> <tr><td>B</td><td>02</td><td>02</td><td>02</td><td>02</td><td>02</td><td>02</td><td>02</td><td>02</td><td>02</td><td>02</td><td>02</td><td>02</td></tr> <tr><td>A</td><td>02</td><td>02</td><td>02</td><td>02</td><td>02</td><td>02</td><td>02</td><td>02</td><td>02</td><td>02</td><td>02</td><td>02</td></tr> <tr><td>GND</td><td></td><td>02</td><td>02</td><td>02</td><td>02</td><td>02</td><td>02</td><td>02</td><td>02</td><td>02</td><td>02</td><td>02</td></tr> </table>	METRAL P/N	ROW	CONTACT CODE												63784-X008  FOR LEAD FREE SEE NOTE 15	H	02	02	02	02	02	02	01	01	01	01	01	01	G	02	02	02	02	02	02	02	02	02	02	02	02	F	02	02	02	02	02	02	02	02	02	02	02	02	E	02	02	02	02	02	02	02	02	02	02	02	02	D	02	02	02	02	02	02	02	02	02	02	02	02	C	02	02	02	02	02	02	02	02	02	02	02	02	B	02	02	02	02	02	02	02	02	02	02	02	02	A	02	02	02	02	02	02	02	02	02	02	02	02	GND		02	02	02	02	02	02	02	02	02	02	02	4												
METRAL P/N	ROW	CONTACT CODE																																																																																																																																																																																																																																																																																						
63784-X003 RPU  FOR LEAD FREE SEE NOTE 15	H	01	01	01	01	01	01	01	01	01	01	01	01																																																																																																																																																																																																																																																																											
	G	01	01	01	01	01	01	01	01	01	01	01	01																																																																																																																																																																																																																																																																											
	F	01	01	01	01	01	01	01	01	01	01	01	01																																																																																																																																																																																																																																																																											
	E	05	05	05	05	05	05	05	05	05	05	05	05																																																																																																																																																																																																																																																																											
	D	05	05	05	05	05	05	05	05	05	05	05	05																																																																																																																																																																																																																																																																											
	C	05	05	05	05	05	05	05	05	05	05	05	05																																																																																																																																																																																																																																																																											
	B	05	05	05	05	05	05	05	05	05	05	05	05																																																																																																																																																																																																																																																																											
	A	05	05	05	05	05	05	05	05	05	05	05	05																																																																																																																																																																																																																																																																											
GND		01	01	01	01	01	01	01	01	01	01	01																																																																																																																																																																																																																																																																												
METRAL P/N	ROW	CONTACT CODE																																																																																																																																																																																																																																																																																						
63784-X008  FOR LEAD FREE SEE NOTE 15	H	02	02	02	02	02	02	01	01	01	01	01	01																																																																																																																																																																																																																																																																											
	G	02	02	02	02	02	02	02	02	02	02	02	02																																																																																																																																																																																																																																																																											
	F	02	02	02	02	02	02	02	02	02	02	02	02																																																																																																																																																																																																																																																																											
	E	02	02	02	02	02	02	02	02	02	02	02	02																																																																																																																																																																																																																																																																											
	D	02	02	02	02	02	02	02	02	02	02	02	02																																																																																																																																																																																																																																																																											
	C	02	02	02	02	02	02	02	02	02	02	02	02																																																																																																																																																																																																																																																																											
	B	02	02	02	02	02	02	02	02	02	02	02	02																																																																																																																																																																																																																																																																											
	A	02	02	02	02	02	02	02	02	02	02	02	02																																																																																																																																																																																																																																																																											
GND		02	02	02	02	02	02	02	02	02	02	02																																																																																																																																																																																																																																																																												
1   2	<table border="1"> <tr><td>METRAL P/N</td><td>ROW</td><td colspan="12">CONTACT CODE</td></tr> <tr><td rowspan="8">63784-X004  FOR LEAD FREE SEE NOTE 15</td><td>H</td><td>01</td><td>01</td><td>01</td><td>01</td><td>01</td><td>01</td><td>01</td><td>01</td><td>01</td><td>01</td><td>01</td><td>01</td></tr> <tr><td>G</td><td>01</td><td>01</td><td>01</td><td>01</td><td>01</td><td>01</td><td>03</td><td>03</td><td>03</td><td>03</td><td>01</td><td>19</td></tr> <tr><td>F</td><td>01</td><td>01</td><td>01</td><td>01</td><td>01</td><td>01</td><td>01</td><td>01</td><td>01</td><td>01</td><td>01</td><td>19</td></tr> <tr><td>E</td><td>01</td><td>01</td><td>01</td><td>01</td><td>01</td><td>01</td><td>03</td><td>03</td><td>03</td><td>03</td><td>01</td><td>19</td></tr> <tr><td>D</td><td>01</td><td>01</td><td>01</td><td>01</td><td>01</td><td>01</td><td>01</td><td>01</td><td>01</td><td>01</td><td>01</td><td>19</td></tr> <tr><td>C</td><td>01</td><td>01</td><td>01</td><td>01</td><td>01</td><td>01</td><td>01</td><td>01</td><td>01</td><td>01</td><td>01</td><td>19</td></tr> <tr><td>B</td><td>01</td><td>01</td><td>01</td><td>01</td><td>01</td><td>01</td><td>01</td><td>01</td><td>01</td><td>01</td><td>01</td><td>19</td></tr> <tr><td>A</td><td>01</td><td>01</td><td>01</td><td>01</td><td>01</td><td>01</td><td>01</td><td>01</td><td>01</td><td>01</td><td>01</td><td>19</td></tr> <tr><td>GND</td><td></td><td>01</td><td>01</td><td>01</td><td>01</td><td>01</td><td>01</td><td>01</td><td>01</td><td>01</td><td>01</td><td>01</td></tr> </table> <p>CANNOT BE MATED TO A METRAL 4000 RECEPTACLE</p>	METRAL P/N	ROW	CONTACT CODE												63784-X004  FOR LEAD FREE SEE NOTE 15	H	01	01	01	01	01	01	01	01	01	01	01	01	G	01	01	01	01	01	01	03	03	03	03	01	19	F	01	01	01	01	01	01	01	01	01	01	01	19	E	01	01	01	01	01	01	03	03	03	03	01	19	D	01	01	01	01	01	01	01	01	01	01	01	19	C	01	01	01	01	01	01	01	01	01	01	01	19	B	01	01	01	01	01	01	01	01	01	01	01	19	A	01	01	01	01	01	01	01	01	01	01	01	19	GND		01	01	01	01	01	01	01	01	01	01	01	3	<table border="1"> <tr><td>METRAL P/N</td><td>ROW</td><td colspan="12">CONTACT CODE</td></tr> <tr><td rowspan="8">63784-X009 RPU  FOR LEAD FREE SEE NOTE 15</td><td>H</td><td>49</td><td>49</td><td>49</td><td>49</td><td>49</td><td>49</td><td>49</td><td>49</td><td>49</td><td>49</td><td>49</td><td>49</td></tr> <tr><td>G</td><td>49</td><td>49</td><td>49</td><td>49</td><td>49</td><td>49</td><td>49</td><td>49</td><td>49</td><td>49</td><td>49</td><td>49</td></tr> <tr><td>F</td><td>49</td><td>49</td><td>49</td><td>49</td><td>49</td><td>49</td><td>49</td><td>49</td><td>49</td><td>49</td><td>49</td><td>49</td></tr> <tr><td>E</td><td>49</td><td>49</td><td>49</td><td>49</td><td>49</td><td>49</td><td>49</td><td>49</td><td>49</td><td>49</td><td>49</td><td>49</td></tr> <tr><td>D</td><td>49</td><td>49</td><td>49</td><td>49</td><td>49</td><td>49</td><td>49</td><td>49</td><td>49</td><td>49</td><td>49</td><td>49</td></tr> <tr><td>C</td><td>49</td><td>49</td><td>49</td><td>49</td><td>49</td><td>49</td><td>49</td><td>49</td><td>49</td><td>49</td><td>49</td><td>49</td></tr> <tr><td>B</td><td>49</td><td>49</td><td>49</td><td>49</td><td>49</td><td>49</td><td>49</td><td>49</td><td>49</td><td>49</td><td>49</td><td>49</td></tr> <tr><td>A</td><td>35</td><td>49</td><td>49</td><td>49</td><td>49</td><td>49</td><td>49</td><td>49</td><td>49</td><td>49</td><td>49</td><td>49</td></tr> <tr><td>GND</td><td></td><td>36</td><td>36</td><td>36</td><td>36</td><td>36</td><td>36</td><td>36</td><td>36</td><td>36</td><td>36</td><td>36</td></tr> </table> <p>FOR REAR PLUG UP APPLICATIONS, PCB THICKNESS RANGE: 4.75 -6.05 WHEN MATED TO METRAL 1000 RECEPT. AND 4.80-6.05 WHEN MATED TO METRAL 4000 RECEPT.</p>	METRAL P/N	ROW	CONTACT CODE												63784-X009 RPU  FOR LEAD FREE SEE NOTE 15	H	49	49	49	49	49	49	49	49	49	49	49	49	G	49	49	49	49	49	49	49	49	49	49	49	49	F	49	49	49	49	49	49	49	49	49	49	49	49	E	49	49	49	49	49	49	49	49	49	49	49	49	D	49	49	49	49	49	49	49	49	49	49	49	49	C	49	49	49	49	49	49	49	49	49	49	49	49	B	49	49	49	49	49	49	49	49	49	49	49	49	A	35	49	49	49	49	49	49	49	49	49	49	49	GND		36	36	36	36	36	36	36	36	36	36	36	4												
METRAL P/N	ROW	CONTACT CODE																																																																																																																																																																																																																																																																																						
63784-X004  FOR LEAD FREE SEE NOTE 15	H	01	01	01	01	01	01	01	01	01	01	01	01																																																																																																																																																																																																																																																																											
	G	01	01	01	01	01	01	03	03	03	03	01	19																																																																																																																																																																																																																																																																											
	F	01	01	01	01	01	01	01	01	01	01	01	19																																																																																																																																																																																																																																																																											
	E	01	01	01	01	01	01	03	03	03	03	01	19																																																																																																																																																																																																																																																																											
	D	01	01	01	01	01	01	01	01	01	01	01	19																																																																																																																																																																																																																																																																											
	C	01	01	01	01	01	01	01	01	01	01	01	19																																																																																																																																																																																																																																																																											
	B	01	01	01	01	01	01	01	01	01	01	01	19																																																																																																																																																																																																																																																																											
	A	01	01	01	01	01	01	01	01	01	01	01	19																																																																																																																																																																																																																																																																											
GND		01	01	01	01	01	01	01	01	01	01	01																																																																																																																																																																																																																																																																												
METRAL P/N	ROW	CONTACT CODE																																																																																																																																																																																																																																																																																						
63784-X009 RPU  FOR LEAD FREE SEE NOTE 15	H	49	49	49	49	49	49	49	49	49	49	49	49																																																																																																																																																																																																																																																																											
	G	49	49	49	49	49	49	49	49	49	49	49	49																																																																																																																																																																																																																																																																											
	F	49	49	49	49	49	49	49	49	49	49	49	49																																																																																																																																																																																																																																																																											
	E	49	49	49	49	49	49	49	49	49	49	49	49																																																																																																																																																																																																																																																																											
	D	49	49	49	49	49	49	49	49	49	49	49	49																																																																																																																																																																																																																																																																											
	C	49	49	49	49	49	49	49	49	49	49	49	49																																																																																																																																																																																																																																																																											
	B	49	49	49	49	49	49	49	49	49	49	49	49																																																																																																																																																																																																																																																																											
	A	35	49	49	49	49	49	49	49	49	49	49	49																																																																																																																																																																																																																																																																											
GND		36	36	36	36	36	36	36	36	36	36	36																																																																																																																																																																																																																																																																												
1   2	<table border="1"> <tr><td>METRAL P/N</td><td>ROW</td><td colspan="12">CONTACT CODE</td></tr> <tr><td rowspan="8">63784-X005 RPU  FOR LEAD FREE SEE NOTE 15</td><td>H</td><td>05</td><td>05</td><td>05</td><td>05</td><td>05</td><td>01</td><td>01</td><td>01</td><td>01</td><td>01</td><td>01</td><td>01</td></tr> <tr><td>G</td><td>05</td><td>05</td><td>05</td><td>05</td><td>05</td><td>01</td><td>01</td><td>01</td><td>01</td><td>01</td><td>01</td><td>01</td></tr> <tr><td>F</td><td>05</td><td>05</td><td>05</td><td>05</td><td>05</td><td>01</td><td>01</td><td>01</td><td>01</td><td>01</td><td>01</td><td>01</td></tr> <tr><td>E</td><td>05</td><td>05</td><td>05</td><td>05</td><td>05</td><td>01</td><td>01</td><td>01</td><td>01</td><td>01</td><td>01</td><td>01</td></tr> <tr><td>D</td><td>01</td><td>01</td><td>01</td><td>01</td><td>01</td><td>01</td><td>01</td><td>01</td><td>01</td><td>01</td><td>01</td><td>01</td></tr> <tr><td>C</td><td>01</td><td>01</td><td>01</td><td>01</td><td>01</td><td>01</td><td>01</td><td>01</td><td>01</td><td>01</td><td>01</td><td>01</td></tr> <tr><td>B</td><td>01</td><td>01</td><td>01</td><td>01</td><td>01</td><td>01</td><td>01</td><td>01</td><td>01</td><td>01</td><td>01</td><td>01</td></tr> <tr><td>A</td><td>01</td><td>01</td><td>01</td><td>01</td><td>01</td><td>01</td><td>01</td><td>01</td><td>01</td><td>01</td><td>01</td><td>01</td></tr> <tr><td>GND</td><td></td><td>01</td><td>01</td><td>01</td><td>01</td><td>01</td><td>01</td><td>01</td><td>01</td><td>01</td><td>01</td><td>01</td></tr> </table> <p>FOR REAR PLUG UP APPLICATIONS, PCB THICKNESS RANGE: 2.95-5.30 WHEN MATED TO METRAL 1000 RECEPT. AND 3.30-5.30 WHEN MATED TO METRAL 4000 RECEPT. (2.30 MIN IN NON-STANDARD REAR PLUG-UP APPLICATIONS)</p>	METRAL P/N	ROW	CONTACT CODE												63784-X005 RPU  FOR LEAD FREE SEE NOTE 15	H	05	05	05	05	05	01	01	01	01	01	01	01	G	05	05	05	05	05	01	01	01	01	01	01	01	F	05	05	05	05	05	01	01	01	01	01	01	01	E	05	05	05	05	05	01	01	01	01	01	01	01	D	01	01	01	01	01	01	01	01	01	01	01	01	C	01	01	01	01	01	01	01	01	01	01	01	01	B	01	01	01	01	01	01	01	01	01	01	01	01	A	01	01	01	01	01	01	01	01	01	01	01	01	GND		01	01	01	01	01	01	01	01	01	01	01	<table border="1"> <tr><td colspan="4">mat'l code SEE NOTE 5</td><td colspan="4">tolerances unless otherwise specified</td><td colspan="2">CUSTOMER</td><td colspan="2">FCI</td></tr> <tr><td>ltr</td><td>ecn no.</td><td>dr</td><td>date</td><td colspan="2">linear</td><td colspan="2">projection</td><td colspan="2">COPY</td><td colspan="2">www.fciconnect.com</td></tr> <tr><td>AL</td><td></td><td></td><td></td><td colspan="2">0.X ±0.3</td><td colspan="2">0.XX ±0.13</td><td colspan="2">MM</td><td colspan="2">title</td></tr> <tr><td></td><td></td><td></td><td></td><td colspan="2">.XXX ±.051</td><td colspan="2">0° ±2°</td><td colspan="2">MM</td><td colspan="2">VERTICAL SIGNAL HDR 8 ROW</td></tr> <tr><td></td><td></td><td></td><td></td><td colspan="2"></td><td colspan="2"></td><td colspan="2">A</td><td colspan="2">P.F. 96 POS. SELECT LOAD EXT.</td></tr> <tr><td></td><td></td><td></td><td></td><td colspan="2"></td><td colspan="2"></td><td colspan="2">1:1</td><td colspan="2">product family</td></tr> <tr><td></td><td></td><td></td><td></td><td colspan="2"></td><td colspan="2"></td><td colspan="2"></td><td colspan="2">METRAL 1000</td></tr> <tr><td></td><td></td><td></td><td></td><td colspan="2"></td><td colspan="2"></td><td colspan="2"></td><td colspan="2">code</td></tr> <tr><td></td><td></td><td></td><td></td><td colspan="2"></td><td colspan="2"></td><td colspan="2"></td><td colspan="2">213</td></tr> <tr><td></td><td></td><td></td><td></td><td colspan="2"></td><td colspan="2"></td><td colspan="2"></td><td colspan="2">sheet</td></tr> <tr><td></td><td></td><td></td><td></td><td colspan="2"></td><td colspan="2"></td><td colspan="2"></td><td colspan="2">6</td></tr> <tr><td>sheet index</td><td colspan="2">revision sheet</td><td colspan="2"></td><td colspan="2"></td><td colspan="2"></td><td colspan="2"></td><td colspan="2"></td></tr> </table>		mat'l code SEE NOTE 5				tolerances unless otherwise specified				CUSTOMER		FCI		ltr	ecn no.	dr	date	linear		projection		COPY		www.fciconnect.com		AL				0.X ±0.3		0.XX ±0.13		MM		title						.XXX ±.051		0° ±2°		MM		VERTICAL SIGNAL HDR 8 ROW										A		P.F. 96 POS. SELECT LOAD EXT.										1:1		product family												METRAL 1000												code												213												sheet												6		sheet index	revision sheet											
METRAL P/N	ROW	CONTACT CODE																																																																																																																																																																																																																																																																																						
63784-X005 RPU  FOR LEAD FREE SEE NOTE 15	H	05	05	05	05	05	01	01	01	01	01	01	01																																																																																																																																																																																																																																																																											
	G	05	05	05	05	05	01	01	01	01	01	01	01																																																																																																																																																																																																																																																																											
	F	05	05	05	05	05	01	01	01	01	01	01	01																																																																																																																																																																																																																																																																											
	E	05	05	05	05	05	01	01	01	01	01	01	01																																																																																																																																																																																																																																																																											
	D	01	01	01	01	01	01	01	01	01	01	01	01																																																																																																																																																																																																																																																																											
	C	01	01	01	01	01	01	01	01	01	01	01	01																																																																																																																																																																																																																																																																											
	B	01	01	01	01	01	01	01	01	01	01	01	01																																																																																																																																																																																																																																																																											
	A	01	01	01	01	01	01	01	01	01	01	01	01																																																																																																																																																																																																																																																																											
GND		01	01	01	01	01	01	01	01	01	01	01																																																																																																																																																																																																																																																																												
mat'l code SEE NOTE 5				tolerances unless otherwise specified				CUSTOMER		FCI																																																																																																																																																																																																																																																																														
ltr	ecn no.	dr	date	linear		projection		COPY		www.fciconnect.com																																																																																																																																																																																																																																																																														
AL				0.X ±0.3		0.XX ±0.13		MM		title																																																																																																																																																																																																																																																																														
				.XXX ±.051		0° ±2°		MM		VERTICAL SIGNAL HDR 8 ROW																																																																																																																																																																																																																																																																														
								A		P.F. 96 POS. SELECT LOAD EXT.																																																																																																																																																																																																																																																																														
								1:1		product family																																																																																																																																																																																																																																																																														
										METRAL 1000																																																																																																																																																																																																																																																																														
										code																																																																																																																																																																																																																																																																														
										213																																																																																																																																																																																																																																																																														
										sheet																																																																																																																																																																																																																																																																														
										6																																																																																																																																																																																																																																																																														
sheet index	revision sheet																																																																																																																																																																																																																																																																																							
1   2	3	4																																																																																																																																																																																																																																																																																						
REV E - 2008-04-18	Pro/E	cage code 22526																																																																																																																																																																																																																																																																																						
PDM: Rev:AL STATUS: Released Printed: May 13, 2011																																																																																																																																																																																																																																																																																								



This document is the property of and embodies CONFIDENTIAL and PROPRIETARY information of FCI. No part of the information shown on this document may be used in any way or disclosed to others without the written consent of FCI. Copyright FCI.

1 | 2

METRAL P/N	ROW	CONTACT CODE												
		1	2	3	4	5	6	7	8	9	10	11	12	
63784-X010  FOR LEAD FREE SEE NOTE 15	H	02	02	02	02	02	02	02	02	01	02	02	02	02
	G	02	02	02	02	02	02	02	02	01	02	02	02	02
	F	02	02	02	02	02	02	02	02	02	02	02	02	02
	E	02	02	02	02	02	02	02	02	01	02	02	02	02
	D	02	02	02	02	02	02	02	02	01	02	02	02	02
	C	02	02	02	02	02	02	02	02	02	02	02	02	02
	B	02	02	02	02	02	02	02	02	02	02	02	02	02
	A	02	02	02	02	02	02	02	02	01	02	02	02	02
	GND	02	02	02	02	02	02	02	02	02	02	02	02	02

METRAL P/N	ROW	CONTACT CODE												
		1	2	3	4	5	6	7	8	9	10	11	12	
63784-X011  FOR LEAD FREE SEE NOTE 15	H	02	03	03	03	03	03	03	03	03	03	03	03	03
	G	03	03	03	03	03	03	03	03	03	03	03	02	
	F	03	03	03	03	03	03	03	03	03	03	03	03	03
	E	03	03	03	03	03	03	03	03	03	03	03	03	03
	D	03	03	03	03	03	03	03	03	03	03	03	03	03
	C	03	03	03	03	03	03	03	03	03	03	03	03	03
	B	03	03	03	03	03	03	03	03	03	03	03	03	03
	A	03	03	03	03	03	03	03	03	03	03	03	03	03
	GND	02	02	02	02	02	02	02	02	02	02	02	02	02

METRAL P/N	ROW	CONTACT CODE												
		1	2	3	4	5	6	7	8	9	10	11	12	
63784-X012 RPU  FOR LEAD FREE SEE NOTE 15	H	45	45	45	45	45	45	45	45	45	45	45	22	
	G	45	45	45	45	45	45	45	45	45	45	45	45	45
	F	22	45	45	45	45	45	45	45	45	45	45	45	45
	E	45	45	45	45	45	45	45	45	45	45	45	45	45
	D	45	45	45	45	45	45	45	45	45	45	45	45	45
	C	45	45	45	45	45	45	45	45	45	45	45	45	45
	B	45	45	45	45	45	45	45	45	45	45	45	45	45
	A	47	47	47	47	47	47	47	47	47	47	47	47	47
	GND	22	22	22	22	22	22	22	22	22	22	22	22	22

METRAL P/N	ROW	CONTACT CODE												
		1	2	3	4	5	6	7	8	9	10	11	12	
63784-X013  FOR LEAD FREE SEE NOTE 15	H	02	02	02	02	02	02	02	02	02	02	02	02	02
	G	02	02	02	02	02	02	02	02	02	02	02	02	02
	F	02	02	02	02	02	02	02	02	02	02	02	02	02
	E	03	02	02	02	01	02	02	02	02	02	02	02	02
	D	02	02	02	02	02	02	02	02	02	02	02	02	02
	C	02	02	02	02	02	02	02	02	02	02	02	02	02
	B	02	02	02	02	02	02	02	02	02	02	02	02	02
	A	02	02	02	02	02	02	02	02	02	02	02	02	02
	GND	02	02	02	02	02	02	02	02	02	02	02	02	02

METRAL P/N	ROW	CONTACT CODE												
		1	2	3	4	5	6	7	8	9	10	11	12	
63784-X014  FOR LEAD FREE SEE NOTE 15	H	03	03	03	03	03	03	03	03	03	03	03	01	
	G	03	03	03	03	03	03	03	03	03	03	03	03	03
	F	01	03	03	03	03	03	03	03	03	03	03	03	03
	E	03	03	03	03	03	03	03	03	03	03	03	03	03
	D	03	03	03	03	03	03	03	03	03	03	03	03	03
	C	03	03	03	03	03	03	03	03	03	03	03	03	03
	B	03	03	03	03	03	03	03	03	03	03	03	03	03
	A	19	19	19	19	19	19	19	19	19	19	19	19	19
	GND	01	01	01	01	01	01	01	01	01	01	01	01	01

FOR REAR PLUG UP APPLICATIONS, PCB THICKNESS RANGE: 2.95 -3.80 WHEN MATED TO METRAL 1000 RECEPT. AND THIS CONFIGURATION CANNOT BE MATED TO A METRAL 4000 RECEPT.

CAN NOT BE MATED TO A METRAL 4000 RECEPTACLE

3 |

METRAL P/N	ROW	CONTACT CODE												
		1	2	3	4	5	6	7	8	9	10	11	12	
63784-X015  FOR LEAD FREE SEE NOTE 15	H	02	02	02	02	02	02	02	02	02	02	02	02	02
	G	02	02	02	02	02	02	02	02	02	02	02	02	02
	F	03	03	03	03	03	03	03	03	03	03	03	03	03
	E	02	02	02	02	02	02	02	02	02	02	02	02	02
	D	02	02	02	02	02	02	02	02	02	02	02	02	02
	C	03	03	03	03	03	03	03	03	03	03	03	03	03
	B	02	02	02	02	02	02	02	02	02	02	02	02	02
	A	01	02	02	02	02	02	02	02	02	02	02	02	02
	GND	02	02	02	02	02	02	02	02	02	02	02	02	02

METRAL P/N	ROW	CONTACT CODE												
		1	2	3	4	5	6	7	8	9	10	11	12	
63784-X016 RPU  FOR LEAD FREE SEE NOTE 15	H	49	49	49	49	49	49	49	49	49	49	49	49	49
	G	49	49	49	49	49	49	49	49	49	49	49	49	49
	F	41	41	41	41	41	41	41	41	41	41	41	41	41
	E	49	49	49	49	49	49	49	49	49	49	49	49	49
	D	49	49	49	49	49	49	49	49	49	49	49	49	49
	C	41	41	41	41	41	41	41	41	41	41	41	41	41
	B	49	49	49	49	49	49	49	49	49	49	49	49	49
	A	48	49	49	49	49	49	49	49	49	49	49	49	49
	GND	49	49	49	49	49	49	49	49	49	49	49	49	49

PCB THICKNESS RANGE FOR REAR PLUG UP APPLICATIONS 5.50 TO 6.80

METRAL P/N	ROW	CONTACT CODE												
		1	2	3	4	5	6	7	8	9	10	11	12	
63784-X017  FOR LEAD FREE SEE NOTE 15	H	02	02	02	02	02	02	02	02	02	02	02	02	02
	G	04	04	04	04	04	04	04	04	04	02	02	02	02
	F	02	02	02	02	02	02	02	02	02	02	02	02	02
	E	02	02	02	02	02	02	02	02	02	02	02	02	02
	D	04	04	04	04	04	04	04	04	04	02	02	02	02
	C	02	02	02	02	02	02	02	02	02	02	02	02	02
	B	02	02	02	02	02	02	02	02	02	02	02	02	02
	A	04	04	04	04	04	04	04	04	02	02	02	02	02
	GND	01	01	01	01	01	01	01	01	01	01	01	01	01

CAN NOT BE MATED TO A METRAL 4000 RECEPTACLE

METRAL P/N	ROW	CONTACT CODE												
		1	2	3	4	5	6	7	8	9	10	11	12	
63784-X018  FOR LEAD FREE SEE NOTE 15	H	02	02	02	02	02	02	02	02	02	02	02	02	01
	G	02	02	02	02	02	02	02	02	02	02	02	02	02
	F	02	02	02	02	02	02	02	02	02	02	02	02	02
	E	02	02	02	02	02	02	02	02	02	02	02	02	02
	D	02	02	02	02	02	02	02	02	02	02	02	02	02
	C	02	02	02	02	02	02	02	02	02	02	02	02	02
	B	02	02	02	02	02	02	02	02	02	02	02	02	02
	A	02	02	02	02	02	02	02	02	02	02	02	02	02
	GND	01	01	01	01	01	01	01	01	01	01	01	01	01

mat'l code SEE NOTE 5				tolerances unless otherwise specified				CUSTOMER				www.fciconnect.com							
ltr	ecr no.	dr	date	0.X ±0.3				COPY		title									
AL				linear				projection		VERTICAL SIGNAL HDR 8 ROW P.F. 96 POS. SELECT LOAD EXT.									
				angles				$0^{\circ} \pm 2^{\circ}$		product family METRAL 1000 code									
				dr				E. KROPER. 2001-01-10		size									
				enrg				J. VOLSTORF 2001-01-10		dwg no									
				chr				J. VOLSTORF 2001-01-10		sheet									
				appd				J. VOLSTORF 2001-01-10		7									
sheet index		revision sheet								MM		A		213					
												scale		1:1					

cage code		22526		4	
-----------	--	-------	--	---	--

4

A

B

Pro/E 3 |

cage code 22526 4

This document is the property of and embodies CONFIDENTIAL and PROPRIETARY information of FCi. No part of the information shown on this document may be used in any way or disclosed to others without the written consent of FCi. Copyright FCi.



1 | 2

METRAL P/N	ROW	CONTACT CODE												
		1	2	3	4	5	6	7	8	9	10	11	12	
63784-X019 RPU FOR LEAD FREE SEE NOTE 15	H	03	03	03	03	03	03	03	03	03	03	03	03	02
	G	03	03	03	03	03	03	03	03	03	03	03	03	03
	F	03	03	03	03	03	03	03	03	03	03	03	03	03
	E	11	11	11	11	11	11	11	11	11	11	11	11	11
	D	41	41	41	41	41	41	41	41	41	41	41	41	41
	C	24	24	24	24	24	24	24	24	24	24	24	24	24
	B	41	41	41	41	41	41	41	41	41	41	41	41	41
	A	24	24	24	24	24	24	24	24	24	24	24	24	24
	GND	49	49	49	49	49	49	49	49	49	49	49	49	49

FOR REAR PLUG UP APPLICATIONS, PCB THICKNESS RANGE: 5.70 - 7.30 WHEN MATED TO METRAL 1000 RECEPT. AND 6.70-7.30 WHEN MATED TO METRAL 4000 RECEPT. (2.30 MIN IN NON-STANDARD REAR PLUG UP APPLICATIONS)

METRAL P/N	ROW	CONTACT CODE												
		1	2	3	4	5	6	7	8	9	10	11	12	
63784-X020 RPU FOR LEAD FREE SEE NOTE 15	H	03	03	03	03	03	03	03	03	03	03	03	03	03
	G	03	03	03	03	03	03	03	03	03	03	03	03	03
	F	- 03	- 03	- 03	- 03	- 03	- 03	- 03	- 03	- 03	- 03	- 03	- 03	- 03
	E	41	41	41	41	41	41	41	41	41	41	41	41	41
	D	37	37	37	37	37	37	37	37	37	37	37	37	37
	C	50	50	50	50	50	50	50	50	50	50	50	50	50
	B	37	37	37	37	37	37	37	37	37	37	37	37	37
	A	50	50	50	50	50	50	50	50	50	50	50	50	50
	GND	06	06	06	06	06	06	06	06	06	06	06	06	06

FOR REAR PLUG UP APPLICATIONS, PCB THICKNESS RANGE: 4.30 - 5.70 WHEN MATED TO METRAL 1000 RECEPT. AND 5.30-5.70 WHEN MATED TO METRAL 4000 RECEPT. (2.30 MIN IN NON-STANDARD REAR PLUG UP APPLICATIONS)

METRAL P/N	ROW	CONTACT CODE												
		1	2	3	4	5	6	7	8	9	10	11	12	
63784-X021 RPU FOR LEAD FREE SEE NOTE 15	H	03	03	03	03	03	03	03	03	03	03	03	03	02
	G	03	03	03	03	03	03	03	03	03	03	03	03	03
	F	- 03	- 03	- 03	- 03	- 03	- 03	- 03	- 03	- 03	- 03	- 03	- 03	- 03
	E	41	41	41	41	41	41	41	41	41	03	03	03	03
	D	37	37	37	37	37	37	37	37	37	03	03	03	03
	C	50	50	50	50	50	50	50	50	50	03	03	03	03
	B	37	37	37	37	37	37	37	37	37	03	03	03	03
	A	50	50	50	50	50	50	50	50	50	03	03	03	03
	GND	06	06	06	06	06	06	06	06	06	02	02	02	02

FOR REAR PLUG UP APPLICATIONS, PCB THICKNESS RANGE: 4.30 - 5.70 WHEN MATED TO METRAL 1000 RECEPT. AND 5.30-5.70 WHEN MATED TO METRAL 4000 RECEPT. (2.30 MIN IN NON-STANDARD REAR PLUG UP APPLICATIONS)

METRAL P/N	ROW	CONTACT CODE												
		1	2	3	4	5	6	7	8	9	10	11	12	
63784-X022 RPU FOR LEAD FREE SEE NOTE 15	H	03	03	03	03	03	03	03	03	03	03	03	03	03
	G	03	03	03	03	03	03	03	03	03	03	03	03	03
	F	- 03	- 03	- 03	- 03	- 03	- 03	- 03	- 03	- 03	- 03	- 03	- 03	- 03
	E	41	41	41	41	03	03	03	03	41	41	41	41	41
	D	37	37	37	37	03	03	03	03	37	37	37	37	37
	C	50	50	50	50	03	03	03	03	50	50	50	50	50
	B	37	37	37	37	03	03	03	03	37	37	37	37	37
	A	50	50	50	50	03	03	03	03	50	50	50	50	50
	GND	06	06	06	06	02	02	02	02	06	06	06	06	06

FOR REAR PLUG UP APPLICATIONS, PCB THICKNESS RANGE: 4.30 - 5.70 WHEN MATED TO METRAL 1000 RECEPT. AND 5.30-5.70 WHEN MATED TO METRAL 4000 RECEPT. (2.30 MIN IN NON-STANDARD REAR PLUG UP APPLICATIONS)

METRAL P/N	ROW	CONTACT CODE												
		1	2	3	4	5	6	7	8	9	10	11	12	
63784-X023 RPU FOR LEAD FREE SEE NOTE 15	H	03	03	03	03	03	03	03	03	03	03	03	03	03
	G	03	03	03	03	03	03	03	03	03	03	03	03	03
	F	- 03	- 03	- 03	- 03	- 03	- 03	- 03	- 03	- 03	- 03	- 03	- 03	- 03
	E	03	03	03	03	41	41	41	41	41	41	41	41	41
	D	03	03	03	03	37	37	37	37	37	37	37	37	37
	C	03	03	03	03	50	50	50	50	50	50	50	50	50
	B	03	03	03	03	37	37	37	37	37	37	37	37	37
	A	03	03	03	03	50	50	50	50	50	50	50	50	50
	GND	02	02	02	02	06	06	06	06	06	06	06	06	06

FOR REAR PLUG UP APPLICATIONS, PCB THICKNESS RANGE: 4.30-5.70 WHEN MATED TO METRAL 1000 RECEPT. AND 5.30-5.70 WHEN MATED TO METRAL 4000 RECEPT. (2.30 MIN IN NON-STANDARD REAR PLUG-UP APPLICATIONS)

3 |

METRAL P/N	ROW	CONTACT CODE												
		1	2	3	4	5	6	7	8	9	10	11	12	
63784-X024 RPU FOR LEAD FREE SEE NOTE 15	H	03	03	03	03	03	03	03	03	03	03	03	03	03
	G	03	03	03	03	03	03	03	03	03	03	03	03	03
	F	- 03	- 03	- 03	- 03	- 03	- 03	- 03	- 03	- 03	- 03	- 03	- 03	- 03
	E	41	41	41	41	41	41	41	41	41	03	03	03	03
	D	37	37	37	37	37	37	37	37	37	03	03	03	03
	C	50	50	50	50	50	50	50	50	50	03	03	03	03
	B	37	37	37	37	37	37	37	37	37	03	03	03	03
	A	50	50	50	50	50	50	50	50	50	03	03	03	03
	GND	06	06	06	06	06	06	06	06	06	02	02	02	02

FOR REAR PLUG UP APPLICATIONS, PCB THICKNESS RANGE: 4.30 - 5.70 WHEN MATED TO METRAL 1000 RECEPT. AND 5.30-5.70 WHEN MATED TO METRAL 4000 RECEPT. (2.30 MIN IN NON-STANDARD REAR PLUG UP APPLICATIONS)

METRAL P/N	ROW	CONTACT CODE												
		1	2	3	4	5	6	7	8	9	10	11	12	
63784-X025 RPU FOR LEAD FREE SEE NOTE 15	H	03	03	03	03	03	03	03	03	03	03	03	03	03
	G	03	03	03	03	03	03	03	03	03	03	03	03	03
	F	- 03	- 03	- 03	- 03	- 03	- 03	- 03	- 03	- 03	- 03	- 03	- 03	- 03
	E	03	03	03	03	03	03	03	03	03	03	03	03	03
	D	03	03	03	03	03	03	03	03	03	03	03	37	37
	C	03	03	03	03	03	03	03	03	03	03	03	50	50
	B	03	03	03	03	03	03	03	03	03	03	03	37	37
	A	03	03	03	03	03	03	03	03	03	03	03	50	50
	GND	02	02	02	02	02	02	02	02	02	02	02	06	06

FOR REAR PLUG UP APPLICATIONS, PCB THICKNESS RANGE: 4.30 - 5.70 WHEN MATED TO METRAL 1000 RECEPT. AND 5.30-5.70 WHEN MATED TO METRAL 4000 RECEPT. (2.30 MIN IN NON-STANDARD REAR PLUG UP APPLICATIONS)

METRAL P/N	ROW	CONTACT CODE												
		1	2	3	4	5	6	7	8	9	10	11	12	
63784-X026 RPU FOR LEAD FREE SEE NOTE 15	H	03	03	03	03	03	03	03	03	03	03	03	03	03
	G	03	03	03	03	03	03	03	03	03	03	03	03	03
	F	- 03	- 03	- 03	- 03	- 03	- 03	- 03	- 03	- 03	- 03	- 03	- 03	- 03
	E	03	03	03	03	03	03	41	41	41	41	41	41	41
	D	03	03	03	03	03	03	37	37	37	37	37	37	37
	C	03	03	03	03	03	03	50	50	50	50	50	50	50
	B	03	03	03	03	03	03	37	37	37	37	37	37	37
	A	03	03	03	03	03	03	50	50	50	50	50	50	50
	GND	02	02	02	02	02	02	06	06	06	06	06	06	06

FOR REAR PLUG UP APPLICATIONS, PCB THICKNESS RANGE: 4.30 - 5.70 WHEN MATED TO METRAL 1000 RECEPT. AND 5.30-5.70 WHEN MATED TO METRAL 4000 RECEPT. (2.30 MIN IN NON-STANDARD REAR PLUG UP APPLICATIONS)

METRAL P/N	ROW	CONTACT CODE												
		1	2	3	4	5	6	7	8	9	10	11	12	
63784-X027 FOR LEAD FREE SEE NOTE 15	H	03	03	03	03	03	03	03	03	03	03	03	03	03
	G	03	03	03	03	03	03	03	03	03	03	03	03	03
	F	- 03	- 03	- 03	- 03	- 03	- 03	- 03	- 03	- 03	- 03	- 03	- 03	- 03
	E	03	03	03	03	03	03	03	03	03	03	03	03	03
	D	03	03	03	03	03	03	03	03	03	03	03	03	03
	C	03	03	03	03	03	03	03	03	03	03	03	03	03
	B	03	03	03	03	03	03	03	03	03	03	03	03	03
	A	03	03	03	03	03	03	03	03	03	03	03	03	03
	GND	02	02	02	02	02	02	02	02	02	02	02	02	02

mat'l code SEE NOTE 5			tolerances unless otherwise specified		CUSTOMER	FCi		www.fciconnect.com
ltr	ecn no.	dr	date	linear	0.X ± 0.3	COPY		
AL				linear	0.XX ± 0.13	projection		
				angles	.XXX ± .051		title VERTICAL SIGNAL HDR 8 ROW	
					0° ± 2°		P.F. 96 POS. SELECT LOAD EXT.	
				dr	E. KROPER. 2001-01-10	product family	METRAL 1000	code
				enrg	J. VOLSTORF 2001-01-10	size	dwg no	213
				chr	J. VOLSTORF 2001-01-10	scale	63784	sheet
				appd	J. VOLSTORF 2001-01-10	1:1	A	8
sheet index	revision sheet			</				





METRAL P/N	ROW	CONTACT CODE											
		1	2	3	4	5	6	7	8	9	10	11	12
63784-X037 FOR LEAD FREE SEE NOTE 15	H	03	02	02	03	02	03	02	02	02	02	03	02
	G	03	02	02	03	02	03	02	03	03	02	03	02
	F	03	02	02	03	03	03	03	02	02	03	03	02
	E	03	02	02	03	02	03	02	03	02	02	03	02
	D	03	02	02	03	02	03	02	03	02	02	03	03
	C	03	02	02	03	03	03	03	03	02	03	03	02
	B	03	02	02	03	02	03	02	02	02	02	03	02
	A	03	02	02	03	02	03	02	02	02	02	03	02
	GND	02	02	02	02	02	02	02	02	02	02	02	02

METRAL P/N	ROW	CONTACT CODE											
		1	2	3	4	5	6	7	8	9	10	11	12
63784-X038 FOR LEAD FREE SEE NOTE 15	H	02	02	02	19	-	19	-	02	-	02	-	19
	G	02	02	02	19	-	19	-	02	-	02	-	19
	F	02	-	02	19	-	19	-	-	-	02	-	19
	E	02	02	02	19	-	19	-	02	-	02	-	19
	D	02	02	02	19	-	19	-	02	-	02	-	19
	C	02	02	02	19	-	19	-	02	-	02	-	19
	B	02	02	02	19	-	19	-	02	-	02	-	19
	A	02	02	02	19	-	19	-	02	-	02	-	19
	GND	-	-	-	-	-	-	-	-	-	-	-	-

METRAL P/N	ROW	CONTACT CODE											
		1	2	3	4	5	6	7	8	9	10	11	12
63784-X039 FOR LEAD FREE SEE NOTE 15	H	02	02	02	02	02	02	02	02	02	03	03	03
	G	02	02	02	02	02	02	02	02	03	03	03	03
	F	02	02	02	03	02	02	02	02	03	03	03	03
	E	02	02	02	01	02	02	02	02	03	03	03	03
	D	03	01	02	01	02	02	02	02	03	03	03	03
	C	02	02	02	01	02	02	02	02	03	03	03	03
	B	02	02	02	01	02	02	02	02	03	03	03	03
	A	03	01	02	01	02	02	02	02	03	03	03	03
	GND	01	01	01	01	01	01	01	01	01	01	01	01

METRAL P/N	ROW	CONTACT CODE											
		1	2	3	4	5	6	7	8	9	10	11	12
63784-X040 FOR LEAD FREE SEE NOTE 15	H	03	03	03	03	03	03	02	02	02	02	02	02
	G	03	03	03	03	03	03	02	02	02	02	02	02
	F	03	03	03	03	03	03	02	02	02	02	02	02
	E	03	03	03	03	03	03	02	02	02	02	02	02
	D	03	03	03	03	03	03	02	02	02	02	02	02
	C	03	03	03	03	03	03	02	02	02	02	02	02
	B	03	03	03	03	03	03	02	02	02	02	02	02
	A	03	03	03	03	03	03	02	02	02	02	02	02
	GND	01	01	01	01	01	01	01	01	01	01	01	01

METRAL P/N	ROW	CONTACT CODE											
		1	2	3	4	5	6	7	8	9	10	11	12
63784-X041 FOR LEAD FREE SEE NOTE 15	H	02	02	02	02	02	02	02	02	02	02	01	02
	G	02	02	02	02	02	02	02	02	02	02	01	02
	F	02	02	02	02	02	02	02	02	02	02	01	02
	E	02	02	02	02	02	02	02	02	02	02	02	02
	D	02	02	02	02	02	02	02	02	02	02	03	02
	C	02	02	02	02	02	02	02	02	02	02	03	02
	B	02	02	02	02	02	02	02	02	02	02	03	02
	A	02	02	02	02	02	02	02	02	02	02	01	02
	GND	01	01	01	01	01	01	01	01	01	01	01	01

METRAL P/N	ROW	CONTACT CODE											
		1	2	3	4	5	6	7	8	9	10	11	12
63784-X042 FOR LEAD FREE SEE NOTE 15	H	01	02	02	02	02	02	01	02	02	02	02	03
	G	02	02	02	02	02	02	02	02	02	02	02	03
	F	02	02	02	02	02	02	02	02	02	02	02	03
	E	02	02	02	02	02	02	02	02	02	02	02	03
	D	02	02	02	02	02	02	02	02	02	02	02	03
	C	02	02	02	02	02	02	02	02	02	02	03	03
	B	02	02	02	02	02	02	02	02	02	02	03	03
	A	02	02	02	02	02	02	02	02	02	02	02	03
	GND	01	01	01	01	01	01	01	01	01	01	01	01

METRAL P/N	ROW	CONTACT CODE											
		1	2	3	4	5	6	7	8	9	10	11	12
63784-X043 FOR LEAD FREE SEE NOTE 15	H	02	02	02	02	01	02	01	02	02	02	02	03
	G	02	02	02	02	01	02	02	02	02	02	02	03
	F	02	02	02	02	01	02	02	02	02	02	02	03
	E	02	02	02	02	01	02	02	02	02	02	02	03
	D	02	02	02	02	03	02	02	02	02	02	02	03
	C	02	02	02	02	03	02	02	02	02	02	02	03
	B	02	02	02	02	03	02	02	02	02	02	02	03
	A	02	02	02	02	03	02	02	02	02	02	02	03
	GND	01	01	01	01	01	01	01	01	01	01	01	01



This document is the property of and embodies CONFIDENTIAL and PROPRIETARY information of FCI. No part of the information shown on this document may be used in any way or disclosed to others without the written consent of FCI. Copyright FCI.

mat'l code SEE NOTE 5				tolerances unless otherwise specified				CUSTOMER		www.fciconnect.com	
ltr	ecn no.	dr	date	linear	0.X ±0.3				COPY		title VERTICAL SIGNAL HDR 8 ROW P.F. 96 POS. SELECT LOAD EXT.
AL					0.XX ±0.13				projection		
					.XXX ±.051						
				angles	0° ±2°						product family METRAL 1000 code 213
					dr	E. KROPER.	2001-01-10	MM		size A	
				enrg	J. VOLSTORF	2001-01-10	← MM →		dwg no 63784		
				chr	J. VOLSTORF	2001-01-10	scale			sheet 10	
				appd	J. VOLSTORF	2001-01-10	1:1				
sheet index	revision sheet										

cage code 22526



## Стандарт Электрон Связь

Мы молодая и активно развивающаяся компания в области поставок электронных компонентов. Мы поставляем электронные компоненты отечественного и импортного производства напрямую от производителей и с крупнейших складов мира.

Благодаря сотрудничеству с мировыми поставщиками мы осуществляем комплексные и плановые поставки широчайшего спектра электронных компонентов.

Собственная эффективная логистика и склад в обеспечивает надежную поставку продукции в точно указанные сроки по всей России.

Мы осуществляем техническую поддержку нашим клиентам и предпродажную проверку качества продукции. На все поставляемые продукты мы предоставляем гарантию .

Осуществляем поставки продукции под контролем ВП МО РФ на предприятия военно-промышленного комплекса России , а также работаем в рамках 275 ФЗ с открытием отдельных счетов в уполномоченном банке. Система менеджмента качества компании соответствует требованиям ГОСТ ISO 9001.

Минимальные сроки поставки, гибкие цены, неограниченный ассортимент и индивидуальный подход к клиентам являются основой для выстраивания долгосрочного и эффективного сотрудничества с предприятиями радиоэлектронной промышленности, предприятиями ВПК и научно-исследовательскими институтами России.

С нами вы становитесь еще успешнее!

### Наши контакты:

**Телефон:** +7 812 627 14 35

**Электронная почта:** [sales@st-electron.ru](mailto:sales@st-electron.ru)

**Адрес:** 198099, Санкт-Петербург,  
Промышленная ул, дом № 19, литера Н,  
помещение 100-Н Офис 331