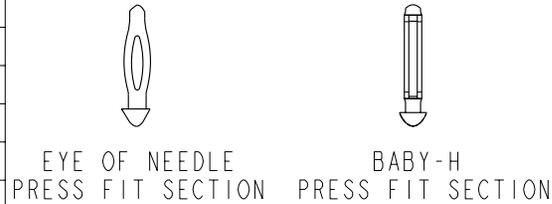


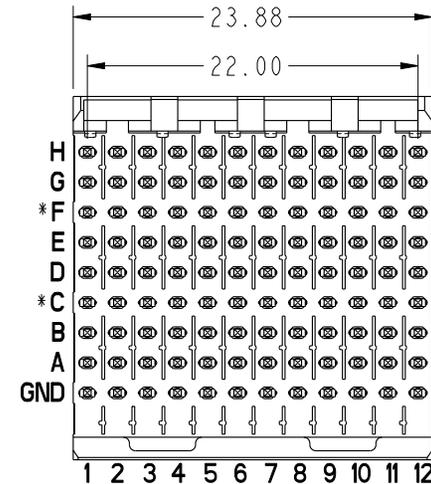
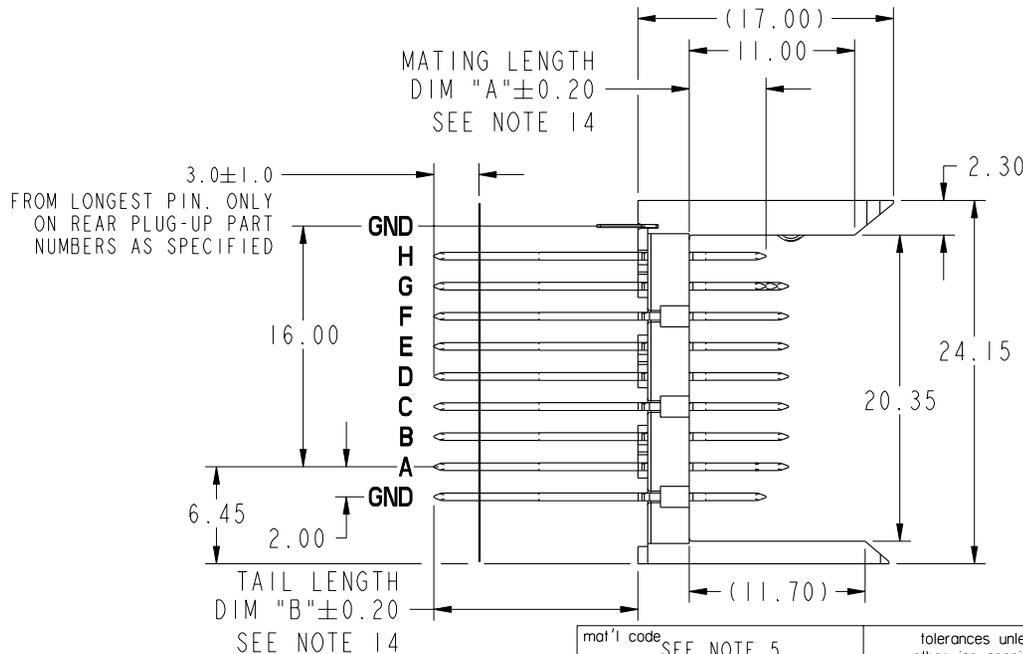
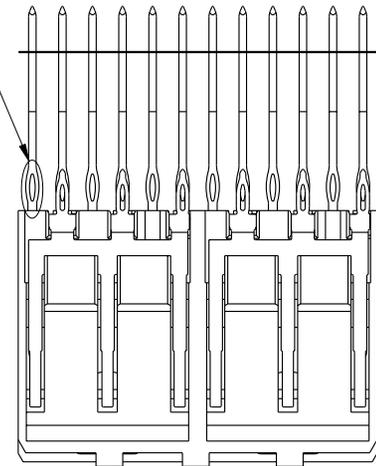


This document is the property of and embodies
 CONFIDENTIAL and PROPRIETARY information of FCI.
 No part of the information shown on this
 document may be used in any way or disclosed
 to others without the written consent of FCI.
 Copyright FCI.

| PRODUCT NUMBER | PLATING PERFORMANCE LEVEL | FOR REAR PLUG-UP APPLICATIONS USE SHROUD |
|----------------|---------------------------|--|
| 63784-1YYY | TELCORDIA CO | 74993-102 |
| 63784-1YYLFF | TELCORDIA CO | 84625-102LFF |
| 63784-5YYY | TELCORDIA UE | 74993-502 |
| 63784-5YYLFF | TELCORDIA UE | 84625-502LFF |
| 63784-9YYY | TELCORDIA CO | 74993-102 |
| 63784-9YYLFF | TELCORDIA CO | 84625-102LFF |
| 63784-AYYY | CUSTOMER SPECIAL | 74993-102 |
| 63784-AYYLFF | CUSTOMER SPECIAL | 84625-102LFF |



DETAIL A
 SCALE 4:1
 SEE NOTE 16



| | | | | | | | | | | | | |
|-----------------------|----------------|------|------------|---------------------------------------|-------------|------------|------|--------------|------|------|--|-----------------|
| mat'l code SEE NOTE 5 | | | | tolerances unless otherwise specified | | | | CUSTOMER | | | www.fciconnect.com | |
| ltr | ecn no. | dr | date | 0.X ±0.3 | | | | COPY | | | title VERTICAL SIGNAL HDR 8 ROW P.F. 96 POS. SELECT LOAD EXT. | |
| AH | V06-0498 | DCH | 2006-05-30 | 0.XX ±0.13 | | | | projection | | | | |
| AJ | V07-0169 | DCH | 2007-03-27 | .XXX ±.051 | | | | | | | product family METRAL 1000 code size dwg no 213 A 63784 sheet 1 of 10 | |
| AK | V08-0016 | HTB | 2008-01-10 | 0° ±2° | | | | scale 1:1 | | | | |
| AL | V08-0051 | LP | 2008-02-19 | dr | E. KROPER. | 2001-01-10 | MM | | | | | |
| - | - | - | - | enrg | J. VOLSTORF | 2001-01-10 | | | | | | |
| AF | V05-1022 | LP | 2005-11-08 | chr | J. VOLSTORF | 2001-01-10 | | | | | | |
| AG | V05-1125 | LP | 2005-12-19 | appd | J. VOLSTORF | 2001-01-10 | | | | | | |
| sheet index | revision sheet | AL 1 | AL 2 | AL 3 | AL 4 | AL 5 | AL 6 | AL 7 | AL 8 | AL 9 | AL 10 | cage code 22526 |

| PIN NO. | DIM A MATING LENGTH | DIM B TAIL LENGTH | PCB THICKNESS RANGE ACCOMMODATED BY PIN'S TAIL LENGTH | | | | |
|---------|---------------------|-------------------|---|-------------|--|-------------|-------------|
| | | | WHEN MATING TO A 74981 SERIES RECEPTACLE | | WHEN MATING TO A 52066 SERIES METRAL 4000 RECEPTACLE | | |
| | | | ROWS A,B, C,D,E,F,G & H | GROUND ROW | ROWS:A,B, D,E,G & H | ROW C & F | GROUND ROW |
| 01* | 5.00 | 4.30 | 1.60 MIN | 1.60 MIN | 1.60 MIN | 1.60 MIN | 1.60 MIN |
| 22 | | 12.20 | 2.95 - 3.80 | 2.95 - 4.20 | 2.95 - 3.80 | 2.95 - 3.80 | 2.95 - 4.20 |
| 30 | | 12.95 | 2.95 - 4.55 | 3.25 - 4.95 | 2.95 - 4.55 | 2.95 - 4.55 | 3.25 - 4.95 |
| 05 | | 13.70 | 2.95 - 5.30 | 4.00 - 5.70 | 3.30 - 5.30 | 2.95 - 5.30 | 4.00 - 5.70 |
| 35 | | 14.45 | 3.05 - 6.05 | 4.75 - 6.45 | 4.05 - 6.05 | 3.05 - 6.05 | 4.75 - 6.45 |
| 48 | | 15.20 | 3.80 - 6.80 | 5.50 - 7.20 | 4.80 - 6.80 | 3.80 - 6.80 | 5.50 - 7.20 |
| 40 | | 15.70 | 4.30 - 7.30 | 6.00 - 7.70 | 5.30 - 7.30 | 4.30 - 7.30 | 6.00 - 7.70 |
| 65 | | 16.40 | 5.00 - 8.00 | 6.70 - 8.40 | 6.00 - 8.00 | 5.00 - 8.00 | 6.70 - 8.40 |
| 09 | | 17.10 | 5.70 - 8.70 | 7.40 - 9.10 | 6.70 - 8.70 | 5.70 - 8.70 | 7.40 - 9.10 |
| 02* | 5.75 | 4.30 | 1.60 MIN | 1.60 MIN | 1.60 MIN | 1.60 MIN | 1.60 MIN |
| 44 | | 12.20 | 2.95 - 3.80 | 2.95 - 4.20 | 2.95 - 3.80 | 2.95 - 3.80 | 2.95 - 4.20 |
| 31 | | 12.95 | 2.95 - 4.55 | 3.25 - 4.95 | 2.95 - 4.55 | 2.95 - 4.55 | 3.25 - 4.95 |
| 06 | | 13.70 | 2.95 - 5.30 | 4.00 - 5.70 | 3.30 - 5.30 | 2.95 - 5.30 | 4.00 - 5.70 |
| 36 | | 14.45 | 3.05 - 6.05 | 4.75 - 6.45 | 4.05 - 6.05 | 3.05 - 6.05 | 4.75 - 6.45 |
| 49 | | 15.20 | 3.80 - 6.80 | 5.50 - 7.20 | 4.80 - 6.80 | 3.80 - 6.80 | 5.50 - 7.20 |
| 25 | | 15.70 | 4.30 - 7.30 | 6.00 - 7.70 | 5.30 - 7.30 | 4.30 - 7.30 | 6.00 - 7.70 |
| 66 | | 16.40 | 5.00 - 8.00 | 6.70 - 8.40 | 6.00 - 8.00 | 5.00 - 8.00 | 6.70 - 8.40 |
| 10 | | 17.10 | 5.70 - 8.70 | 7.40 - 9.10 | 6.70 - 8.70 | 5.70 - 8.70 | 7.40 - 9.10 |
| 03* | 6.50 | 4.30 | 1.60 MIN | 1.60 MIN | 1.60 MIN | 1.60 MIN | 1.60 MIN |
| 45 | | 12.20 | 2.95 - 3.80 | 2.95 - 4.20 | 2.95 - 3.80 | 2.95 - 3.80 | 2.95 - 4.20 |
| 32 | | 12.95 | 2.95 - 4.55 | 3.25 - 4.95 | 2.95 - 4.55 | 2.95 - 4.55 | 3.25 - 4.95 |
| 07 | | 13.70 | 2.95 - 5.30 | 4.00 - 5.70 | 3.30 - 5.30 | 2.95 - 5.30 | 4.00 - 5.70 |
| 37 | | 14.45 | 3.05 - 6.05 | 4.75 - 6.45 | 4.05 - 6.05 | 3.05 - 6.05 | 4.75 - 6.45 |
| 50 | | 15.20 | 3.80 - 6.80 | 5.50 - 7.20 | 4.80 - 6.80 | 3.80 - 6.80 | 5.50 - 7.20 |
| 41 | | 15.70 | 4.30 - 7.30 | 6.00 - 7.70 | 5.30 - 7.30 | 4.30 - 7.30 | 6.00 - 7.70 |
| 24 | | 16.40 | 5.00 - 8.00 | 6.70 - 8.40 | 6.00 - 8.00 | 5.00 - 8.00 | 6.70 - 8.40 |
| 11 | | 17.10 | 5.70 - 8.70 | 7.40 - 9.10 | 6.70 - 8.70 | 5.70 - 8.70 | 7.40 - 9.10 |



This document is the property of and embodies CONFIDENTIAL and PROPRIETARY information of FCI. No part of the information shown on this document may be used in any way or disclosed to others without the written consent of FCI. Copyright FCI.

| | | | | | | | | |
|-----------------------|----------------|----|------|---------------------------------------|------------------------|------------|---------------------------------|-------|
| mat'l code SEE NOTE 5 | | | | tolerances unless otherwise specified | | CUSTOMER | FCI www.fciconnect.com | |
| ltr | ecn no. | dr | date | linear | 0.X ±0.3 | projection | COPY | |
| AL | | | | | 0.XX ±0.13 | | title | |
| | | | | | .XXX ±.051 | | VERTICAL SIGNAL HDR 8 ROW | |
| | | | | angles | 0° ±2° | | P.F. 96 POS. SELECT LOAD EXT. | |
| | | | | dr | E. KROPER. 2001-01-10 | | product family METRAL 1000 code | |
| | | | | engr | J. VOLSTORF 2001-01-10 | size | | 213 |
| | | | | chr | J. VOLSTORF 2001-01-10 | dwg no | | sheet |
| | | | | appd | J. VOLSTORF 2001-01-10 | A 63784 | | 2 |
| sheet index | revision sheet | | | | | scale 1:1 | | |

| PIN NO. | DIM A MATING LENGTH | DIM B TAIL LENGTH | PCB THICKNESS RANGE ACCOMMODATED BY PIN LENGTH | | | | |
|---------|---------------------|-------------------|--|-------------|--|-------------|-------------|
| | | | WHEN MATING TO A 74981 SERIES RECEPTACLE | | WHEN MATING TO A 52066 SERIES METRAL 4000 RECEPTACLE | | |
| | | | ROWS A,B,C, D,E,F,G & H | GROUND ROW | ROWS:A,B, D,E,G & H | ROW C & F | GROUND ROW |
| 04* | 7.25 | 4.30 | 1.60 MIN | 1.60 MIN | 1.60 MIN | 1.60 MIN | 1.60 MIN |
| 46 | | 12.20 | 2.95 - 3.80 | 2.95 - 4.20 | 2.95 - 3.80 | 2.95 - 3.80 | 2.95 - 4.20 |
| 33 | | 12.95 | 2.95 - 4.55 | 3.25 - 4.95 | 2.95 - 4.55 | 2.95 - 4.55 | 3.25 - 4.95 |
| 08 | | 13.70 | 2.95 - 5.30 | 4.00 - 5.70 | 3.30 - 5.30 | 2.95 - 5.30 | 4.00 - 5.70 |
| 38 | | 14.45 | 3.05 - 6.05 | 4.75 - 6.45 | 4.05 - 6.05 | 3.05 - 6.05 | 4.75 - 6.45 |
| 51 | | 15.20 | 3.80 - 6.80 | 5.50 - 7.20 | 4.80 - 6.80 | 3.80 - 6.80 | 5.50 - 7.20 |
| 42 | | 15.70 | 4.30 - 7.30 | 6.00 - 7.70 | 5.30 - 7.30 | 4.30 - 7.30 | 6.00 - 7.70 |
| 67 | | 16.40 | 5.00 - 8.00 | 6.70 - 8.40 | 6.00 - 8.00 | 5.00 - 8.00 | 6.70 - 8.40 |
| 12 | | 17.10 | 5.70 - 8.70 | 7.40 - 9.10 | 6.70 - 8.70 | 5.70 - 8.70 | 7.40 - 9.10 |
| 19* | 8.00 | 4.30 | 1.60 MIN | 1.60 MIN | 1.60 MIN | 1.60 MIN | 1.60 MIN |
| 47 | | 12.20 | 2.95 - 3.80 | 2.95 - 4.20 | 2.95 - 3.80 | 2.95 - 3.80 | 2.95 - 4.20 |
| 34 | | 12.95 | 2.95 - 4.55 | 3.25 - 4.95 | 2.95 - 4.55 | 2.95 - 4.55 | 3.25 - 4.95 |
| 20 | | 13.70 | 2.95 - 5.30 | 4.00 - 5.70 | 3.30 - 5.30 | 2.95 - 5.30 | 4.00 - 5.70 |
| 39 | | 14.45 | 3.05 - 6.05 | 4.75 - 6.45 | 4.05 - 6.05 | 3.05 - 6.05 | 4.75 - 6.45 |
| 52 | | 15.20 | 3.80 - 6.80 | 5.50 - 7.20 | 4.80 - 6.80 | 3.80 - 6.80 | 5.50 - 7.20 |
| 43 | | 15.70 | 4.30 - 7.30 | 6.00 - 7.70 | 5.30 - 7.30 | 4.30 - 7.30 | 6.00 - 7.70 |
| 68 | | 16.40 | 5.00 - 8.00 | 6.70 - 8.40 | 6.00 - 8.00 | 5.00 - 8.00 | 6.70 - 8.40 |
| 21 | | 17.10 | 5.70 - 8.70 | 7.40 - 9.10 | 6.70 - 8.70 | 5.70 - 8.70 | 7.40 - 9.10 |

A

A



This document is the property of and embodies CONFIDENTIAL and PROPRIETARY information of FCI. No part of the information shown on this document may be used in any way or disclosed to others without the written consent of FCI. Copyright FCI.

B

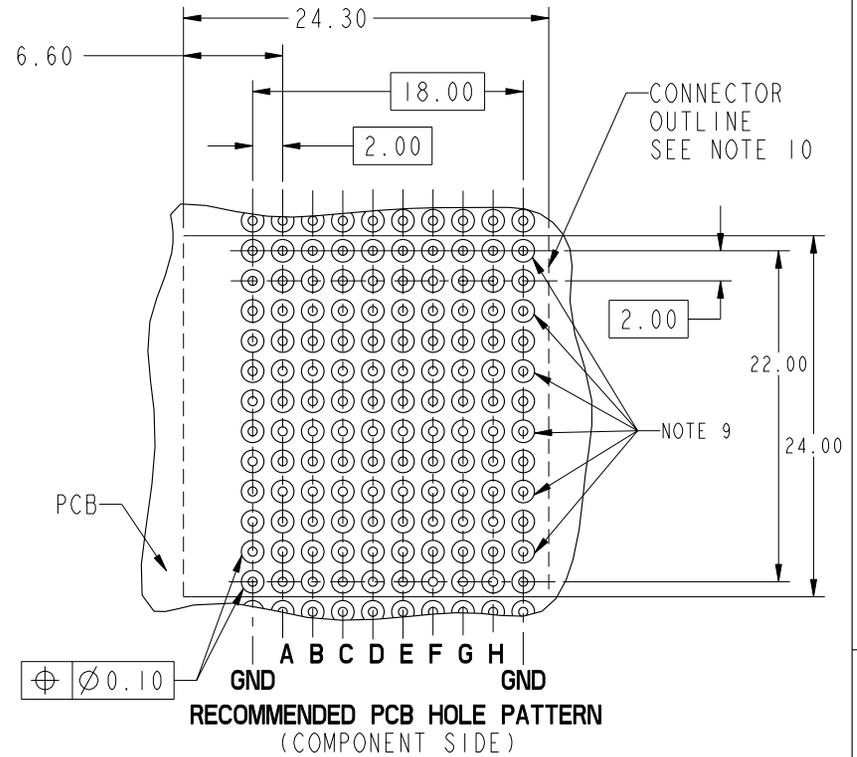
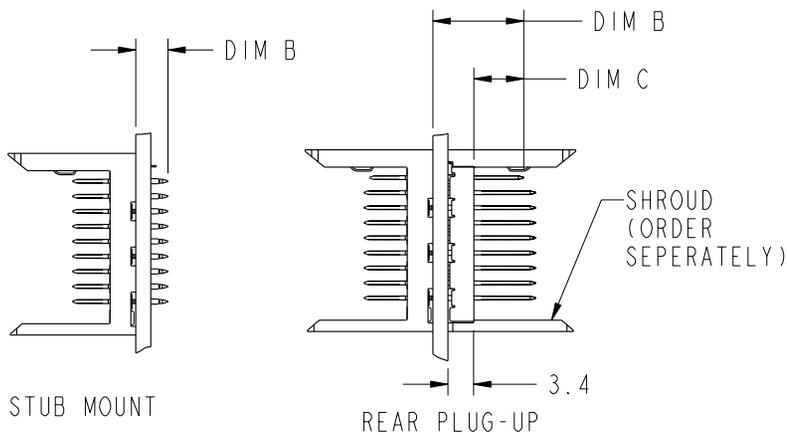
* STUB PINS - NO REAR PLUG-UP

** THE GREATEST RANGE OCCURS WHEN THE B DIMENSION OF PIN 'GND' IS ONE SIZE SHORTER THEN THE OTHER PINS.

| | | | | | | | | | |
|-------------|----------------|------------|------|---------------------------------------|-------------|------------|------------|--------------------|--|
| mat'l code | | SEE NOTE 5 | | tolerances unless otherwise specified | | CUSTOMER | | www.fciconnect.com | |
| ltr | ecn no. | dr | date | linear | 0.X ±0.3 | | COPY | | title VERTICAL SIGNAL HDR 8 ROW P.F. 96 POS. SELECT LOAD EXT. |
| AL | | | | | 0.XX ±0.13 | | projection | | |
| | | | | | .XXX ±.051 | | | | |
| | | | | angles | 0° ±2° | | | | product family METRAL 1000 code size dwg no A 63784 sheet 3 |
| | | | | dr | E. KROPER. | 2001-01-10 | MM | | |
| | | | | engr | J. VOLSTORF | 2001-01-10 | | | |
| | | | | chr | J. VOLSTORF | 2001-01-10 | scale 1:1 | | cage code 22526 |
| | | | | appd | J. VOLSTORF | 2001-01-10 | | | |
| sheet index | revision sheet | | | | | | | | |

B

PRODUCT NUMBER
SEE SHEET 1



| | |
|-----------------------------|--|
| PRESS-FIT HOLES * | OPTION 1 |
| HOLE DIAMETER AFTER PLATING | $\varnothing 0.65-0.80$ |
| DRILLED HOLE | $\varnothing 0.81-0.86$ ($\varnothing 0.85$ DRILL) |
| COPPER PLATING | 0.025 MIN |
| SnPb PLATING | 0.005-0.015 |

* SEE PRINT 58351 FOR
ADDITIONAL PCB INFO.

| | | | | | | | | | |
|--------------------------|----------------|----|------|--|------------------------|------------|--|--|--|
| mat'l code SEE NOTE 5 | | | | tolerances unless otherwise specified | | CUSTOMER | | FCI www.fciconnect.com | |
| ltr | ecn no. | dr | date | linear | 0.X ± 0.3 | COPY | | title | |
| AL | | | | | 0.XX ± 0.13 | projection | | VERTICAL SIGNAL HDR 8 ROW P.F. 96 POS. SELECT LOAD EXT. | |
| | | | | angles | .XXX ± 0.051 | | | product family METRAL 1000 code | |
| | | | | dr | 0° $\pm 2^\circ$ | MM | | size | |
| | | | | engr | E. KROPER. 2001-01-10 | | | dwg no | |
| | | | | chr | J. VOLSTORF 2001-01-10 | 1:1 | | A 63784 | |
| | | | | appd | J. VOLSTORF 2001-01-10 | | | sheet | |
| sheet index | revision sheet | | | | | | | 4 | |

This document is the property of and embodies
 CONFIDENTIAL and PROPRIETARY information of FCI.
 No part of the information shown on this
 document may be used in any way or disclosed
 to others without the written consent of FCI.
 Copyright FCI.

PRODUCT NUMBER

SEE SHEET 1

NOTES:

1. SEE APPLICATION SPECIFICATION GS-20-010 FOR INFORMATION ON AVAILABLE TOOLING, CURCUIT BOARD DESIGN CONSIDERATIONS, REPAIR PROCEDURES AND PRODUCT OFFERINGS.
2. SEE FCI PUBLICATION 950511-028 FOR "ELECTRICAL PERFORMANCE DATA FOR DIFFERENTIAL APPLICATIONS."
3. SEE FCI PUBLICATION 950511-028 FOR "ELECTRICAL PERFORMANCE DATA FOR SINGLE-ENDED APPLICATION."
4. UNLESS OTHERWISE SPECIFIED, ALL DIMENSIONS AND TOLERANCES TOLERANCES ARE IN ACCORDANCE WITH ASME Y14.5M, 1994
5. HOUSING MATERIAL: LIQUID CRYSTAL POLYMER, 30% GLASS FILLED, FLAME RETARDANT PER UL 94-V0.
PIN MATERIAL: PHOSPHER BRONZE
GROUND SPRING MATERIAL: PHOSPHER BRONZE
6. PLATING INFORMATION: PLATING ON CONTACT AREA MEETS THE PERFORMANCE LEVELS SHOWN IN TABLE ON SHEET 1. PLATING ON "LF" TAILS IS Sn. PLATING ON ALL OTHER TAILS IS SnPb.
7. DIMENSIONAL RESTRICTIONS OF PINS IN HEADERS.
FOR MATING WITH METRAL 1000 RECEPTACLES
DIM A : 5.00mm MIN, 8.00mm MAX FOR ROWS A-H
DIM A : 5.00mm MIN, 5.75mm MAX FOR ROW GND NEXT TO ROW A
DIM C : 5.00mm MIN, 8.00mm MAX FOR ROWS A-H
DIM C : 4.60mm MIN, 6.30mm MAX FOR ROW GND NEXT TO ROW A
FOR MATING WITH METRAL 4000 RECEPTACLES
DIM A : 5.00mm MIN, 6.50mm MAX FOR ROWS A, B, D, E, G & H
DIM A : 5.00mm MIN, 8.00mm MAX FOR ROW C & F
DIM A : 5.00mm MIN, 5.75mm MAX FOR ROW GND NEXT TO ROW A
DIM C : 5.00mm MIN, 7.00mm MAX FOR ROWS A, B, D, E, G & H
DIM C : 5.00mm MIN, 8.00mm MAX FOR ROW C & F
DIM C : 4.60mm MIN, 6.30mm MAX FOR ROW GND NEXT TO ROW A
8. THE MIN PCB THICKNESS FOR REAR PLUG-UP APPLICATIONS IS 2.9mm SINCE THE COMPLIANT SECTIONS OF THE GROUND SPRING OF THE HEADER DIRECTLY OPPOSE THE GROUND SPRING OF THE SHROUD. THE MIN PCB THICKNESS FOR FRONT PLUG-UP ONLY APPLICATIONS IS 1.6mm.

9. THESE HOLES ARE NEEDED FOR REAR PLUG-UP DESIGNS USING A SHROUD AND MAY BE OMITTED FOR FRONT PLUG-UP ONLY DESIGNS.
10. THE 'CONNECTOR OUTLINE' IS THE MIN OUTLINE REQUIRED. TO DETERMINE THE OUTLINE NECESSARY TO PERMIT THE VARIOUS TYPES OF REPAIR OPERATIONS, SEE APPLICATION SPECIFICATION GS-20-010.
11. CURRENT RATING : 1 AMP PER PIN
12. TEMPERATURE RANGE : -55°C TO +105°C
13. P/N 63784-XXXXLF
14. AFTER INSERTION INTO CIRCUIT BOARD WITH QUALIFIED TOOL.
15. PRODUCTS WHERE THE PART NUMBER ENDS IN LF MEET EUROPEAN UNION DIRECTIVES AND OTHER COUNTRY REGULATIONS AS DESCRIBED IN GS-22-008.



- ALL PRODUCTS WILL WITHSTAND EXPOSURE TO 260°C FOR 60 SECONDS IN A CONVECTION, INFRA-RED OR VAPOR PHASE REFLOW OVEN.
16. PIN TYPE IS AT THE MANUFACTURERS OPTION AND CAN BE EITHER BABY-H OR EYE OF THE NEEDLE STYLE



This document is the property of and embodies CONFIDENTIAL and PROPRIETARY information of FCI. No part of the information shown on this document may be used in any way or disclosed to others without the written consent of FCI. Copyright FCI.

| | | | | | | | | | | | | |
|--------------------------|----------------|----|------|---------------------------------------|-------------|------------|-------|--------------------|---|-------|-------|---|
| mat'l code SEE NOTE 5 | | | | tolerances unless otherwise specified | | CUSTOMER | | www.fciconnect.com | | | | |
| ltr | ecm no. | dr | date | linear | 0.X ±0.3 | COPY | | | title VERTICAL SIGNAL HDR 8 ROW P.F. 96 POS. SELECT LOAD EXT. | | | |
| AL | | | | | 0.XX ±0.13 | projection | | | | | | |
| | | | | | .XXX ±.051 | | | | | | | |
| | | | | angles | 0° ±2° | | | product family | METRAL 1000 | code | 213 | |
| | | | | dr | E. KROPER. | 2001-01-10 | size | | dwg no | 63784 | sheet | 5 |
| | | | | engr | J. VOLSTORF | 2001-01-10 | A | | | | | |
| | | | | chr | J. VOLSTORF | 2001-01-10 | scale | | 1:1 | | | |
| | | | | appd | J. VOLSTORF | 2001-01-10 | | | | | | |
| sheet index | revision sheet | | | | | | | | | | | |



This document is the property of and embodies CONFIDENTIAL and PROPRIETARY information of FCI. No part of the information shown on this document may be used in any way or disclosed to others without the written consent of FCI. Copyright FCI.

| METRAL P/N | ROW | CONTACT CODE | | | | | | | | | | | |
|--|-----|--------------|----|----|----|----|----|----|----|----|----|----|----|
| | | 1 | 2 | 3 | 4 | 5 | 6 | 7 | 8 | 9 | 10 | 11 | 12 |
| 63784-X001 FOR LEAD FREE SEE NOTE 15 | H | 01 | 01 | 01 | 01 | 01 | 01 | 01 | 01 | 01 | 01 | 01 | 01 |
| | G | 01 | 01 | 01 | 01 | 01 | 01 | 03 | 03 | 03 | 01 | 01 | 19 |
| | F | 01 | 01 | 01 | 01 | 01 | 19 | 01 | 01 | 01 | 01 | 01 | 19 |
| | E | 01 | 01 | 01 | 01 | 01 | 19 | 01 | 03 | 03 | 03 | 01 | 19 |
| | D | 01 | 01 | 01 | 01 | 01 | 19 | 01 | 01 | 01 | 01 | 01 | 19 |
| | C | 01 | 01 | 01 | 01 | 01 | 19 | 01 | 01 | 01 | 01 | 01 | 19 |
| | B | 01 | 01 | 01 | 01 | 01 | 19 | 01 | 01 | 01 | 01 | 01 | 19 |
| | A | 01 | 01 | 01 | 01 | 01 | 01 | 01 | 01 | 01 | 01 | 01 | 19 |
| | GND | 01 | 01 | 01 | 01 | 01 | 01 | 01 | 01 | 01 | 01 | 01 | 01 |

CANNOT BE MATED TO A METRAL 4000 RECEPTACLE

| METRAL P/N | ROW | CONTACT CODE | | | | | | | | | | | |
|---|-----|--------------|----|----|----|----|----|----|----|----|----|----|----|
| | | 1 | 2 | 3 | 4 | 5 | 6 | 7 | 8 | 9 | 10 | 11 | 12 |
| 63784-X002 RPU FOR LEAD FREE SEE NOTE 15 | H | 05 | 05 | 05 | 05 | 05 | 05 | 05 | 05 | 05 | 05 | 05 | 05 |
| | G | 05 | 05 | 05 | 05 | 05 | 05 | 05 | 05 | 05 | 05 | 05 | 05 |
| | F | 05 | 05 | 05 | 05 | 05 | 05 | 05 | 05 | 05 | 05 | 05 | 05 |
| | E | 05 | 05 | 05 | 05 | 05 | 05 | 05 | 05 | 05 | 05 | 05 | 05 |
| | D | 01 | 01 | 01 | 01 | 01 | 01 | 01 | 01 | 01 | 01 | 01 | 01 |
| | C | 01 | 01 | 01 | 01 | 01 | 01 | 01 | 01 | 01 | 01 | 01 | 01 |
| | B | 01 | 01 | 01 | 01 | 01 | 01 | 01 | 01 | 01 | 01 | 01 | 01 |
| | A | 01 | 01 | 01 | 01 | 01 | 01 | 01 | 01 | 01 | 01 | 01 | 01 |
| | GND | 01 | 01 | 01 | 01 | 01 | 01 | 01 | 01 | 01 | 01 | 01 | 01 |

FOR REAR PLUG UP APPLICATIONS, PCB THICKNESS RANGE: 2.95 -5.30 WHEN MATED TO METRAL 1000 RECEPT. AND 3.30-5.30 WHEN MATED TO METRAL 4000 RECEPT. (2.30 MIN IN NON-STANDARD REAR PLUG UP APPLICATIONS)

| METRAL P/N | ROW | CONTACT CODE | | | | | | | | | | | |
|---|-----|--------------|----|----|----|----|----|----|----|----|----|----|----|
| | | 1 | 2 | 3 | 4 | 5 | 6 | 7 | 8 | 9 | 10 | 11 | 12 |
| 63784-X003 RPU FOR LEAD FREE SEE NOTE 15 | H | 01 | 01 | 01 | 01 | 01 | 01 | 01 | 01 | 01 | 01 | 01 | 01 |
| | G | 01 | 01 | 01 | 01 | 01 | 01 | 01 | 01 | 01 | 01 | 01 | 01 |
| | F | 01 | 01 | 01 | 01 | 01 | 01 | 01 | 01 | 01 | 01 | 01 | 01 |
| | E | 05 | 05 | 05 | 05 | 05 | 05 | 05 | 05 | 05 | 05 | 05 | 05 |
| | D | 05 | 05 | 05 | 05 | 05 | 05 | 05 | 05 | 05 | 05 | 05 | 05 |
| | C | 05 | 05 | 05 | 05 | 05 | 05 | 05 | 05 | 05 | 05 | 05 | 05 |
| | B | 05 | 05 | 05 | 05 | 05 | 05 | 05 | 05 | 05 | 05 | 05 | 05 |
| | A | 05 | 05 | 05 | 05 | 05 | 05 | 05 | 05 | 05 | 05 | 05 | 05 |
| | GND | 01 | 01 | 01 | 01 | 01 | 01 | 01 | 01 | 01 | 01 | 01 | 01 |

FOR REAR PLUG UP APPLICATIONS, PCB THICKNESS RANGE: 2.95 -5.30 WHEN MATED TO METRAL 1000 RECEPT. AND 3.30-5.30 WHEN MATED TO METRAL 4000 RECEPT. (2.30 MIN IN NON-STANDARD REAR PLUG UP APPLICATIONS)

| METRAL P/N | ROW | CONTACT CODE | | | | | | | | | | | |
|--|-----|--------------|----|----|----|----|----|----|----|----|----|----|----|
| | | 1 | 2 | 3 | 4 | 5 | 6 | 7 | 8 | 9 | 10 | 11 | 12 |
| 63784-X004 FOR LEAD FREE SEE NOTE 15 | H | 01 | 01 | 01 | 01 | 01 | 01 | 01 | 01 | 01 | 01 | 01 | 01 |
| | G | 01 | 01 | 01 | 01 | 01 | 01 | 03 | 03 | 03 | 03 | 01 | 19 |
| | F | 01 | 01 | 01 | 01 | 01 | 01 | 01 | 01 | 01 | 01 | 01 | 19 |
| | E | 01 | 01 | 01 | 01 | 01 | 01 | 03 | 03 | 03 | 03 | 01 | 19 |
| | D | 01 | 01 | 01 | 01 | 01 | 01 | 01 | 01 | 01 | 01 | 01 | 19 |
| | C | 01 | 01 | 01 | 01 | 01 | 01 | 01 | 01 | 01 | 01 | 01 | 19 |
| | B | 01 | 01 | 01 | 01 | 01 | 01 | 01 | 01 | 01 | 01 | 01 | 19 |
| | A | 01 | 01 | 01 | 01 | 01 | 01 | 01 | 01 | 01 | 01 | 01 | 19 |
| | GND | 01 | 01 | 01 | 01 | 01 | 01 | 01 | 01 | 01 | 01 | 01 | 01 |

CANNOT BE MATED TO A METRAL 4000 RECEPTACLE

| METRAL P/N | ROW | CONTACT CODE | | | | | | | | | | | |
|---|-----|--------------|----|----|----|----|----|----|----|----|----|----|----|
| | | 1 | 2 | 3 | 4 | 5 | 6 | 7 | 8 | 9 | 10 | 11 | 12 |
| 63784-X005 RPU FOR LEAD FREE SEE NOTE 15 | H | 05 | 05 | 05 | 05 | 05 | 05 | 01 | 01 | 01 | 01 | 01 | 01 |
| | G | 05 | 05 | 05 | 05 | 05 | 05 | 01 | 01 | 01 | 01 | 01 | 01 |
| | F | 05 | 05 | 05 | 05 | 05 | 05 | 01 | 01 | 01 | 01 | 01 | 01 |
| | E | 05 | 05 | 05 | 05 | 05 | 05 | 01 | 01 | 01 | 01 | 01 | 01 |
| | D | 01 | 01 | 01 | 01 | 01 | 01 | 01 | 01 | 01 | 01 | 01 | 01 |
| | C | 01 | 01 | 01 | 01 | 01 | 01 | 01 | 01 | 01 | 01 | 01 | 01 |
| | B | 01 | 01 | 01 | 01 | 01 | 01 | 01 | 01 | 01 | 01 | 01 | 01 |
| | A | 01 | 01 | 01 | 01 | 01 | 01 | 01 | 01 | 01 | 01 | 01 | 01 |
| | GND | 01 | 01 | 01 | 01 | 01 | 01 | 01 | 01 | 01 | 01 | 01 | 01 |

FOR REAR PLUG UP APPLICATIONS, PCB THICKNESS RANGE: 2.95-5.30 WHEN MATED TO METRAL 1000 RECEPT. AND 3.30-5.30 WHEN MATED TO METRAL 4000 RECEPT. (2.30 MIN IN NON-STANDARD REAR PLUG UP APPLICATIONS)

| METRAL P/N | ROW | CONTACT CODE | | | | | | | | | | | |
|---|-----|--------------|----|----|----|----|----|----|----|----|----|----|----|
| | | 1 | 2 | 3 | 4 | 5 | 6 | 7 | 8 | 9 | 10 | 11 | 12 |
| 63784-X006 RPU FOR LEAD FREE SEE NOTE 15 | H | 05 | 05 | 05 | 05 | 05 | 05 | 05 | 05 | 05 | 05 | 05 | 05 |
| | G | 05 | 05 | 05 | 05 | 05 | 05 | 05 | 05 | 05 | 05 | 05 | 05 |
| | F | 05 | 05 | 05 | 05 | 05 | 05 | 05 | 05 | 05 | 05 | 05 | 05 |
| | E | 05 | 05 | 05 | 05 | 05 | 05 | 05 | 05 | 05 | 05 | 05 | 05 |
| | D | 19 | 19 | 19 | 19 | 19 | 19 | 19 | 19 | 19 | 19 | 19 | 19 |
| | C | 01 | 01 | 01 | 01 | 01 | 01 | 01 | 01 | 01 | 01 | 01 | 01 |
| | B | 01 | 01 | 01 | 01 | 01 | 01 | 01 | 01 | 01 | 01 | 01 | 01 |
| | A | 01 | 01 | 01 | 01 | 01 | 01 | 01 | 01 | 01 | 01 | 01 | 01 |
| | GND | 01 | 01 | 01 | 01 | 01 | 01 | 01 | 01 | 01 | 01 | 01 | 01 |

FOR REAR PLUG UP APPLICATIONS, PCB THICKNESS RANGE: 2.95 -5.30 WHEN MATED TO METRAL 1000 RECEPT. AND THIS CONFIGURATION CANNOT BE MATED TO A METRAL 4000 RECEPT. (2.30 MIN IN NON-STANDARD REAR PLUG UP APPLICATIONS)

| METRAL P/N | ROW | CONTACT CODE | | | | | | | | | | | |
|--|-----|--------------|----|----|----|----|----|----|----|----|----|----|----|
| | | 1 | 2 | 3 | 4 | 5 | 6 | 7 | 8 | 9 | 10 | 11 | 12 |
| 63784-X007 FOR LEAD FREE SEE NOTE 15 | H | 02 | 02 | 02 | 02 | 02 | 02 | 02 | 02 | 02 | 02 | 02 | 02 |
| | G | 02 | 02 | 02 | 02 | 02 | 02 | 02 | 02 | 02 | 02 | 02 | 02 |
| | F | 02 | 02 | 02 | 02 | 02 | 02 | 02 | 02 | 02 | 02 | 02 | 02 |
| | E | 03 | 01 | 02 | 02 | 02 | 02 | 02 | 02 | 02 | 02 | 02 | 02 |
| | D | 02 | 02 | 02 | 02 | 02 | 02 | 02 | 02 | 02 | 02 | 02 | 03 |
| | C | 02 | 02 | 02 | 02 | 02 | 02 | 02 | 02 | 02 | 02 | 02 | 02 |
| | B | 02 | 02 | 02 | 02 | 02 | 02 | 02 | 02 | 02 | 02 | 02 | 02 |
| | A | 02 | 02 | 02 | 02 | 02 | 02 | 02 | 02 | 02 | 02 | 02 | 02 |
| | GND | 02 | 02 | 02 | 02 | 02 | 02 | 02 | 02 | 02 | 02 | 02 | 02 |

| METRAL P/N | ROW | CONTACT CODE | | | | | | | | | | | |
|--|-----|--------------|----|----|----|----|----|----|----|----|----|----|----|
| | | 1 | 2 | 3 | 4 | 5 | 6 | 7 | 8 | 9 | 10 | 11 | 12 |
| 63784-X008 FOR LEAD FREE SEE NOTE 15 | H | 02 | 02 | 02 | 02 | 02 | 02 | 02 | 01 | 01 | 01 | 01 | 01 |
| | G | 02 | 02 | 02 | 02 | 02 | 02 | 02 | 02 | 02 | 02 | 02 | 02 |
| | F | 02 | 02 | 02 | 02 | 02 | 02 | 02 | 02 | 02 | 02 | 02 | 02 |
| | E | 02 | 02 | 02 | 02 | 02 | 02 | 02 | 02 | 02 | 02 | 02 | 02 |
| | D | 02 | 02 | 02 | 02 | 02 | 02 | 02 | 02 | 02 | 02 | 02 | 02 |
| | C | 02 | 02 | 02 | 02 | 02 | 02 | 02 | 02 | 02 | 02 | 02 | 02 |
| | B | 02 | 02 | 02 | 02 | 02 | 02 | 02 | 02 | 02 | 02 | 02 | 02 |
| | A | 02 | 02 | 02 | 02 | 02 | 02 | 02 | 02 | 02 | 02 | 02 | 02 |
| | GND | 02 | 02 | 02 | 02 | 02 | 02 | 02 | 02 | 02 | 02 | 02 | 02 |

| METRAL P/N | ROW | CONTACT CODE | | | | | | | | | | | |
|---|-----|--------------|----|----|----|----|----|----|----|----|----|----|----|
| | | 1 | 2 | 3 | 4 | 5 | 6 | 7 | 8 | 9 | 10 | 11 | 12 |
| 63784-X009 RPU FOR LEAD FREE SEE NOTE 15 | H | 49 | 49 | 49 | 49 | 49 | 49 | 49 | 49 | 49 | 49 | 49 | 49 |
| | G | 49 | 49 | 49 | 49 | 49 | 49 | 49 | 49 | 49 | 49 | 49 | 49 |
| | F | 49 | 49 | 49 | 49 | 49 | 49 | 49 | 49 | 49 | 49 | 49 | 49 |
| | E | 49 | 49 | 49 | 49 | 49 | 49 | 49 | 49 | 49 | 49 | 49 | 49 |
| | D | 49 | 49 | 49 | 49 | 49 | 49 | 49 | 49 | 49 | 49 | 49 | 49 |
| | C | 49 | 49 | 49 | 49 | 49 | 49 | 49 | 49 | 49 | 49 | 49 | 49 |
| | B | 49 | 49 | 49 | 49 | 49 | 49 | 49 | 49 | 49 | 49 | 49 | 49 |
| | A | 35 | 49 | 49 | 49 | 49 | 49 | 49 | 49 | 49 | 49 | 49 | 49 |
| | GND | 36 | 36 | 36 | 36 | 36 | 36 | 36 | 36 | 36 | 36 | 36 | 36 |

FOR REAR PLUG UP APPLICATIONS, PCB THICKNESS RANGE: 4.75 -6.05 WHEN MATED TO METRAL 1000 RECEPT. AND 4.80-6.05 WHEN MATED TO METRAL 4000 RECEPT.

| | | | | | | | | | | | |
|-----------------------|----------------|----|------|---------------------------------------|--|--|--|------------|--|-------------------------------|--|
| mat'l code SEE NOTE 5 | | | | tolerances unless otherwise specified | | | | CUSTOMER | | FCI | |
| ltr | ecn no. | dr | date | linear | | | | COPY | | www.fciconnect.com | |
| AL | | | | 0.X ±0.3 | | | | projection | | title | |
| | | | | 0.XX ±0.13 | | | | MM | | VERTICAL SIGNAL HDR 8 ROW | |
| | | | | .XXX ±0.051 | | | | MM | | P.F. 96 POS. SELECT LOAD EXT. | |
| | | | | 0° ±2° | | | | MM | | product family METRAL 1000 | |
| | | | | dr E. KROPER. 2001-01-10 | | | | MM | | code | |
| | | | | enrg J. VOLSTORF 2001-01-10 | | | | MM | | size | |
| | | | | chr J. VOLSTORF 2001-01-10 | | | | MM | | dwg no | |
| | | | | appd J. VOLSTORF 2001-01-10 | | | | MM | | 63784 | |
| sheet index | revision sheet | | | | | | | scale 1:1 | | sheet 6 | |

B

This document is the property of and embodies CONFIDENTIAL and PROPRIETARY information of FCi. No part of the information shown on this document may be used in any way or disclosed to others without the written consent of FCi. Copyright FCi.



A

B

| METRAL P/N | ROW | CONTACT CODE | | | | | | | | | | | |
|--|-----|--------------|----|----|----|----|----|----|----|----|----|----|----|
| | | 1 | 2 | 3 | 4 | 5 | 6 | 7 | 8 | 9 | 10 | 11 | 12 |
| 63784-X010 FOR LEAD FREE SEE NOTE 15 | H | 02 | 02 | 02 | 02 | 02 | 02 | 02 | 01 | 02 | 02 | 02 | 02 |
| | G | 02 | 02 | 02 | 02 | 02 | 02 | 02 | 01 | 02 | 02 | 02 | 02 |
| | F | 02 | 02 | 02 | 02 | 02 | 02 | 02 | 02 | 02 | 02 | 02 | 02 |
| | E | 02 | 02 | 02 | 02 | 02 | 02 | 02 | 01 | 02 | 02 | 02 | 02 |
| | D | 02 | 02 | 02 | 02 | 02 | 02 | 02 | 01 | 02 | 02 | 02 | 02 |
| | C | 02 | 02 | 02 | 02 | 02 | 02 | 02 | 02 | 02 | 02 | 02 | 02 |
| | B | 02 | 02 | 02 | 02 | 02 | 02 | 02 | 02 | 02 | 02 | 02 | 02 |
| | A | 02 | 02 | 02 | 02 | 02 | 02 | 02 | 01 | 02 | 02 | 02 | 02 |
| | GND | 02 | 02 | 02 | 02 | 02 | 02 | 02 | 02 | 02 | 02 | 02 | 02 |

| METRAL P/N | ROW | CONTACT CODE | | | | | | | | | | | |
|--|-----|--------------|----|----|----|----|----|----|----|----|----|----|----|
| | | 1 | 2 | 3 | 4 | 5 | 6 | 7 | 8 | 9 | 10 | 11 | 12 |
| 63784-X011 FOR LEAD FREE SEE NOTE 15 | H | 02 | 03 | 03 | 03 | 03 | 03 | 03 | 03 | 03 | 03 | 03 | 03 |
| | G | 03 | 03 | 03 | 03 | 03 | 03 | 03 | 03 | 03 | 03 | 03 | 02 |
| | F | 03 | 03 | 03 | 03 | 03 | 03 | 03 | 03 | 03 | 03 | 03 | 03 |
| | E | 03 | 03 | 03 | 03 | 03 | 03 | 03 | 03 | 03 | 03 | 03 | 03 |
| | D | 03 | 03 | 03 | 03 | 03 | 03 | 03 | 03 | 03 | 03 | 03 | 03 |
| | C | 03 | 03 | 03 | 03 | 03 | 03 | 03 | 03 | 03 | 03 | 03 | 03 |
| | B | 03 | 03 | 03 | 03 | 03 | 03 | 03 | 03 | 03 | 03 | 03 | 03 |
| | A | 03 | 03 | 03 | 03 | 03 | 03 | 03 | 03 | 03 | 03 | 03 | 03 |
| | GND | 02 | 02 | 02 | 02 | 02 | 02 | 02 | 02 | 02 | 02 | 02 | 02 |

| METRAL P/N | ROW | CONTACT CODE | | | | | | | | | | | |
|---|-----|--------------|----|----|----|----|----|----|----|----|----|----|----|
| | | 1 | 2 | 3 | 4 | 5 | 6 | 7 | 8 | 9 | 10 | 11 | 12 |
| 63784-X012 RPU FOR LEAD FREE SEE NOTE 15 | H | 45 | 45 | 45 | 45 | 45 | 45 | 45 | 45 | 45 | 45 | 22 | 22 |
| | G | 45 | 45 | 45 | 45 | 45 | 45 | 45 | 45 | 45 | 45 | 45 | 45 |
| | F | 22 | 45 | 45 | 45 | 45 | 45 | 45 | 45 | 45 | 45 | 45 | 45 |
| | E | 45 | 45 | 45 | 45 | 45 | 45 | 45 | 45 | 45 | 45 | 45 | 45 |
| | D | 45 | 45 | 45 | 45 | 45 | 45 | 45 | 45 | 45 | 45 | 45 | 45 |
| | C | 45 | 45 | 45 | 45 | 45 | 45 | 45 | 45 | 45 | 45 | 45 | 45 |
| | B | 45 | 45 | 45 | 45 | 45 | 45 | 45 | 45 | 45 | 45 | 45 | 45 |
| | A | 47 | 47 | 47 | 47 | 47 | 47 | 47 | 47 | 47 | 47 | 47 | 47 |
| | GND | 22 | 22 | 22 | 22 | 22 | 22 | 22 | 22 | 22 | 22 | 22 | 22 |

| METRAL P/N | ROW | CONTACT CODE | | | | | | | | | | | |
|--|-----|--------------|----|----|----|----|----|----|----|----|----|----|----|
| | | 1 | 2 | 3 | 4 | 5 | 6 | 7 | 8 | 9 | 10 | 11 | 12 |
| 63784-X013 FOR LEAD FREE SEE NOTE 15 | H | 02 | 02 | 02 | 02 | 02 | 02 | 02 | 02 | 02 | 02 | 02 | 02 |
| | G | 02 | 02 | 02 | 02 | 02 | 02 | 02 | 02 | 02 | 02 | 02 | 02 |
| | F | 02 | 02 | 02 | 02 | 02 | 02 | 02 | 02 | 02 | 02 | 02 | 02 |
| | E | 03 | 02 | 02 | 02 | 01 | 02 | 02 | 02 | 02 | 02 | 02 | 02 |
| | D | 02 | 02 | 02 | 02 | 02 | 02 | 02 | 02 | 02 | 02 | 02 | 02 |
| | C | 02 | 02 | 02 | 02 | 02 | 02 | 02 | 02 | 02 | 02 | 02 | 02 |
| | B | 02 | 02 | 02 | 02 | 02 | 02 | 02 | 02 | 02 | 02 | 02 | 02 |
| | A | 02 | 02 | 02 | 02 | 02 | 02 | 02 | 02 | 02 | 02 | 02 | 02 |
| | GND | 02 | 02 | 02 | 02 | 02 | 02 | 02 | 02 | 02 | 02 | 02 | 02 |

| METRAL P/N | ROW | CONTACT CODE | | | | | | | | | | | |
|--|-----|--------------|----|----|----|----|----|----|----|----|----|----|----|
| | | 1 | 2 | 3 | 4 | 5 | 6 | 7 | 8 | 9 | 10 | 11 | 12 |
| 63784-X014 FOR LEAD FREE SEE NOTE 15 | H | 03 | 03 | 03 | 03 | 03 | 03 | 03 | 03 | 03 | 03 | 03 | 01 |
| | G | 03 | 03 | 03 | 03 | 03 | 03 | 03 | 03 | 03 | 03 | 03 | 03 |
| | F | 01 | 03 | 03 | 03 | 03 | 03 | 03 | 03 | 03 | 03 | 03 | 03 |
| | E | 03 | 03 | 03 | 03 | 03 | 03 | 03 | 03 | 03 | 03 | 03 | 03 |
| | D | 03 | 03 | 03 | 03 | 03 | 03 | 03 | 03 | 03 | 03 | 03 | 03 |
| | C | 03 | 03 | 03 | 03 | 03 | 03 | 03 | 03 | 03 | 03 | 03 | 03 |
| | B | 03 | 03 | 03 | 03 | 03 | 03 | 03 | 03 | 03 | 03 | 03 | 03 |
| | A | 19 | 19 | 19 | 19 | 19 | 19 | 19 | 19 | 19 | 19 | 19 | 19 |
| | GND | 01 | 01 | 01 | 01 | 01 | 01 | 01 | 01 | 01 | 01 | 01 | 01 |

FOR REAR PLUG UP APPLICATIONS, PCB THICKNESS RANGE: 2.95 -3.80 WHEN MATED TO METRAL 1000 RECEPT. AND THIS CONFIGURATION CANNOT BE MATED TO A METRAL 4000 RECEPT.

CAN NOT BE MATED TO A METRAL 4000 RECEPTACLE

| METRAL P/N | ROW | CONTACT CODE | | | | | | | | | | | |
|--|-----|--------------|----|----|----|----|----|----|----|----|----|----|----|
| | | 1 | 2 | 3 | 4 | 5 | 6 | 7 | 8 | 9 | 10 | 11 | 12 |
| 63784-X015 FOR LEAD FREE SEE NOTE 15 | H | 02 | 02 | 02 | 02 | 02 | 02 | 02 | 02 | 02 | 02 | 02 | 02 |
| | G | 02 | 02 | 02 | 02 | 02 | 02 | 02 | 02 | 02 | 02 | 02 | 02 |
| | F | 03 | 03 | 03 | 03 | 03 | 03 | 03 | 03 | 03 | 03 | 03 | 03 |
| | E | 02 | 02 | 02 | 02 | 02 | 02 | 02 | 02 | 02 | 02 | 02 | 02 |
| | D | 02 | 02 | 02 | 02 | 02 | 02 | 02 | 02 | 02 | 02 | 02 | 02 |
| | C | 03 | 03 | 03 | 03 | 03 | 03 | 03 | 03 | 03 | 03 | 03 | 03 |
| | B | 02 | 02 | 02 | 02 | 02 | 02 | 02 | 02 | 02 | 02 | 02 | 02 |
| | A | 01 | 02 | 02 | 02 | 02 | 02 | 02 | 02 | 02 | 02 | 02 | 02 |
| | GND | 02 | 02 | 02 | 02 | 02 | 02 | 02 | 02 | 02 | 02 | 02 | 02 |

| METRAL P/N | ROW | CONTACT CODE | | | | | | | | | | | |
|---|-----|--------------|----|----|----|----|----|----|----|----|----|----|----|
| | | 1 | 2 | 3 | 4 | 5 | 6 | 7 | 8 | 9 | 10 | 11 | 12 |
| 63784-X016 RPU FOR LEAD FREE SEE NOTE 15 | H | 49 | 49 | 49 | 49 | 49 | 49 | 49 | 49 | 49 | 49 | 49 | 49 |
| | G | 49 | 49 | 49 | 49 | 49 | 49 | 49 | 49 | 49 | 49 | 49 | 49 |
| | F | 41 | 41 | 41 | 41 | 41 | 41 | 41 | 41 | 41 | 41 | 41 | 41 |
| | E | 49 | 49 | 49 | 49 | 49 | 49 | 49 | 49 | 49 | 49 | 49 | 49 |
| | D | 49 | 49 | 49 | 49 | 49 | 49 | 49 | 49 | 49 | 49 | 49 | 49 |
| | C | 41 | 41 | 41 | 41 | 41 | 41 | 41 | 41 | 41 | 41 | 41 | 41 |
| | B | 49 | 49 | 49 | 49 | 49 | 49 | 49 | 49 | 49 | 49 | 49 | 49 |
| | A | 48 | 49 | 49 | 49 | 49 | 49 | 49 | 49 | 49 | 49 | 49 | 49 |
| | GND | 49 | 49 | 49 | 49 | 49 | 49 | 49 | 49 | 49 | 49 | 49 | 49 |

PCB THICKNESS RANGE FOR REAR PLUG UP APPLICATIONS 5.50 TO 6.80

| METRAL P/N | ROW | CONTACT CODE | | | | | | | | | | | |
|--|-----|--------------|----|----|----|----|----|----|----|----|----|----|----|
| | | 1 | 2 | 3 | 4 | 5 | 6 | 7 | 8 | 9 | 10 | 11 | 12 |
| 63784-X017 FOR LEAD FREE SEE NOTE 15 | H | 02 | 02 | 02 | 02 | 02 | 02 | 02 | 02 | 02 | 02 | 02 | 02 |
| | G | 04 | 04 | 04 | 04 | 04 | 04 | 04 | 04 | 04 | 02 | 02 | 02 |
| | F | 02 | 02 | 02 | 02 | 02 | 02 | 02 | 02 | 02 | 02 | 02 | 02 |
| | E | 02 | 02 | 02 | 02 | 02 | 02 | 02 | 02 | 02 | 02 | 02 | 02 |
| | D | 04 | 04 | 04 | 04 | 04 | 04 | 04 | 04 | 04 | 02 | 02 | 02 |
| | C | 02 | 02 | 02 | 02 | 02 | 02 | 02 | 02 | 02 | 02 | 02 | 02 |
| | B | 02 | 02 | 02 | 02 | 02 | 02 | 02 | 02 | 02 | 02 | 02 | 02 |
| | A | 04 | 04 | 04 | 04 | 04 | 04 | 04 | 04 | 02 | 02 | 02 | 02 |
| | GND | 01 | 01 | 01 | 01 | 01 | 01 | 01 | 01 | 01 | 01 | 01 | 01 |

CAN NOT BE MATED TO A METRAL 4000 RECEPTACLE

| METRAL P/N | ROW | CONTACT CODE | | | | | | | | | | | |
|--|-----|--------------|----|----|----|----|----|----|----|----|----|----|----|
| | | 1 | 2 | 3 | 4 | 5 | 6 | 7 | 8 | 9 | 10 | 11 | 12 |
| 63784-X018 FOR LEAD FREE SEE NOTE 15 | H | 02 | 02 | 02 | 02 | 02 | 02 | 02 | 02 | 02 | 02 | 02 | 01 |
| | G | 02 | 02 | 02 | 02 | 02 | 02 | 02 | 02 | 02 | 02 | 02 | 02 |
| | F | 02 | 02 | 02 | 02 | 02 | 02 | 02 | 02 | 02 | 02 | 02 | 02 |
| | E | 02 | 02 | 02 | 02 | 02 | 02 | 02 | 02 | 02 | 02 | 02 | 02 |
| | D | 02 | 02 | 02 | 02 | 02 | 02 | 02 | 02 | 02 | 02 | 02 | 02 |
| | C | 02 | 02 | 02 | 02 | 02 | 02 | 02 | 02 | 02 | 02 | 02 | 02 |
| | B | 02 | 02 | 02 | 02 | 02 | 02 | 02 | 02 | 02 | 02 | 02 | 02 |
| | A | 02 | 02 | 02 | 02 | 02 | 02 | 02 | 02 | 02 | 02 | 02 | 02 |
| | GND | 01 | 01 | 01 | 01 | 01 | 01 | 01 | 01 | 01 | 01 | 01 | 01 |

| | | | | | | | | | | | |
|-----------------------|----------------|----|------|---------------------------------------|--|------------|--|-------------------------------|--|---------------------------|--|
| mat'l code SEE NOTE 5 | | | | tolerances unless otherwise specified | | | | CUSTOMER | | FCi www.fciconnect.com | |
| ltr | ecn no. | dr | date | 0.X ±0.3 | | COPY | | title | | | |
| AL | | | | 0.XX ±0.13 | | projection | | VERTICAL SIGNAL HDR 8 ROW | | | |
| | | | | .XXX ±.051 | | MM | | P.F. 96 POS. SELECT LOAD EXT. | | | |
| | | | | 0° ±2° | | MM | | product family | | METRAL 1000 | |
| | | | | dr E. KROPER. 2001-01-10 | | ← MM → | | size | | 213 | |
| | | | | enrg J. VOLSTORF 2001-01-10 | | scale | | dwg no | | 7 | |
| | | | | chr J. VOLSTORF 2001-01-10 | | 1:1 | | A | | 63784 | |
| | | | | appd J. VOLSTORF 2001-01-10 | | | | | | | |
| sheet index | revision sheet | | | | | | | | | | |

A

B

1 | 2

1 | 2

3 |

3 |

4

4

cage code 22526

Pro/E

PDM: Rev:AL

STATUS: Released

Printed: May 13, 2011

This document is the property of and embodies CONFIDENTIAL and PROPRIETARY information of FCi. No part of the information shown on this document may be used in any way or disclosed to others without the written consent of FCi. Copyright FCi.



| METRAL P/N | ROW | CONTACT CODE | | | | | | | | | | | |
|---|-----|--------------|----|----|----|----|----|----|----|----|----|----|----|
| | | 1 | 2 | 3 | 4 | 5 | 6 | 7 | 8 | 9 | 10 | 11 | 12 |
| 63784-X019 RPU FOR LEAD FREE SEE NOTE 15 | H | 03 | 03 | 03 | 03 | 03 | 03 | 03 | 03 | 03 | 03 | 03 | 02 |
| | G | 03 | 03 | 03 | 03 | 03 | 03 | 03 | 03 | 03 | 03 | 03 | 03 |
| | F | 03 | 03 | 03 | 03 | 03 | 03 | 03 | 03 | 03 | 03 | 03 | 03 |
| | E | 11 | 11 | 11 | 11 | 11 | 11 | 11 | 11 | 11 | 11 | 11 | 11 |
| | D | 41 | 41 | 41 | 41 | 41 | 41 | 41 | 41 | 41 | 41 | 41 | 41 |
| | C | 24 | 24 | 24 | 24 | 24 | 24 | 24 | 24 | 24 | 24 | 24 | 24 |
| | B | 41 | 41 | 41 | 41 | 41 | 41 | 41 | 41 | 41 | 41 | 41 | 41 |
| | A | 24 | 24 | 24 | 24 | 24 | 24 | 24 | 24 | 24 | 24 | 24 | 24 |
| | GND | 49 | 49 | 49 | 49 | 49 | 49 | 49 | 49 | 49 | 49 | 49 | 49 |

FOR REAR PLUG UP APPLICATIONS, PCB THICKNESS RANGE: 5.70 -7.30 WHEN MATED TO METRAL 1000 RECEPT. AND 6.70-7.30 WHEN MATED TO METRAL 4000 RECEPT. (2.30 MIN IN NON-STANDARD REAR PLUG UP APPLICATIONS)

| METRAL P/N | ROW | CONTACT CODE | | | | | | | | | | | |
|---|-----|--------------|------|------|------|------|------|------|------|------|------|------|------|
| | | 1 | 2 | 3 | 4 | 5 | 6 | 7 | 8 | 9 | 10 | 11 | 12 |
| 63784-X020 RPU FOR LEAD FREE SEE NOTE 15 | H | 03 | 03 | 03 | 03 | 03 | 03 | 03 | 03 | 03 | 03 | 03 | 03 |
| | G | 03 | 03 | 03 | 03 | 03 | 03 | 03 | 03 | 03 | 03 | 03 | 03 |
| | F | - 03 | - 03 | - 03 | - 03 | - 03 | - 03 | - 03 | - 03 | - 03 | - 03 | - 03 | - 03 |
| | E | 41 | 41 | 41 | 41 | 41 | 41 | 41 | 41 | 41 | 41 | 41 | 41 |
| | D | 37 | 37 | 37 | 37 | 37 | 37 | 37 | 37 | 37 | 37 | 37 | 37 |
| | C | 50 | 50 | 50 | 50 | 50 | 50 | 50 | 50 | 50 | 50 | 50 | 50 |
| | B | 37 | 37 | 37 | 37 | 37 | 37 | 37 | 37 | 37 | 37 | 37 | 37 |
| | A | 50 | 50 | 50 | 50 | 50 | 50 | 50 | 50 | 50 | 50 | 50 | 50 |
| | GND | 06 | 06 | 06 | 06 | 06 | 06 | 06 | 06 | 06 | 06 | 06 | 06 |

FOR REAR PLUG UP APPLICATIONS, PCB THICKNESS RANGE: 4.30 -5.70 WHEN MATED TO METRAL 1000 RECEPT. AND 5.30-5.70 WHEN MATED TO METRAL 4000 RECEPT. (2.30 MIN IN NON-STANDARD REAR PLUG UP APPLICATIONS)

| METRAL P/N | ROW | CONTACT CODE | | | | | | | | | | | |
|---|-----|--------------|------|------|------|------|------|------|------|------|------|------|------|
| | | 1 | 2 | 3 | 4 | 5 | 6 | 7 | 8 | 9 | 10 | 11 | 12 |
| 63784-X021 RPU FOR LEAD FREE SEE NOTE 15 | H | 03 | 03 | 03 | 03 | 03 | 03 | 03 | 03 | 03 | 03 | 03 | 02 |
| | G | 03 | 03 | 03 | 03 | 03 | 03 | 03 | 03 | 03 | 03 | 03 | 03 |
| | F | - 03 | - 03 | - 03 | - 03 | - 03 | - 03 | - 03 | - 03 | - 03 | - 03 | - 03 | - 03 |
| | E | 41 | 41 | 41 | 41 | 41 | 41 | 41 | 41 | 03 | 03 | 03 | 03 |
| | D | 37 | 37 | 37 | 37 | 37 | 37 | 37 | 37 | 03 | 03 | 03 | 03 |
| | C | 50 | 50 | 50 | 50 | 50 | 50 | 50 | 50 | 03 | 03 | 03 | 03 |
| | B | 37 | 37 | 37 | 37 | 37 | 37 | 37 | 37 | 03 | 03 | 03 | 03 |
| | A | 50 | 50 | 50 | 50 | 50 | 50 | 50 | 50 | 03 | 03 | 03 | 03 |
| | GND | 06 | 06 | 06 | 06 | 06 | 06 | 06 | 06 | 02 | 02 | 02 | 02 |

FOR REAR PLUG UP APPLICATIONS, PCB THICKNESS RANGE: 4.30 -5.70 WHEN MATED TO METRAL 1000 RECEPT. AND 5.30-5.70 WHEN MATED TO METRAL 4000 RECEPT. (2.30 MIN IN NON-STANDARD REAR PLUG UP APPLICATIONS)

| METRAL P/N | ROW | CONTACT CODE | | | | | | | | | | | |
|---|-----|--------------|------|------|------|------|------|------|------|------|------|------|------|
| | | 1 | 2 | 3 | 4 | 5 | 6 | 7 | 8 | 9 | 10 | 11 | 12 |
| 63784-X022 RPU FOR LEAD FREE SEE NOTE 15 | H | 03 | 03 | 03 | 03 | 03 | 03 | 03 | 03 | 03 | 03 | 03 | 03 |
| | G | 03 | 03 | 03 | 03 | 03 | 03 | 03 | 03 | 03 | 03 | 03 | 03 |
| | F | - 03 | - 03 | - 03 | - 03 | - 03 | - 03 | - 03 | - 03 | - 03 | - 03 | - 03 | - 03 |
| | E | 41 | 41 | 41 | 41 | 03 | 03 | 03 | 03 | 41 | 41 | 41 | 41 |
| | D | 37 | 37 | 37 | 37 | 03 | 03 | 03 | 03 | 37 | 37 | 37 | 37 |
| | C | 50 | 50 | 50 | 50 | 03 | 03 | 03 | 03 | 50 | 50 | 50 | 50 |
| | B | 37 | 37 | 37 | 37 | 03 | 03 | 03 | 03 | 37 | 37 | 37 | 37 |
| | A | 50 | 50 | 50 | 50 | 03 | 03 | 03 | 03 | 50 | 50 | 50 | 50 |
| | GND | 06 | 06 | 06 | 06 | 02 | 02 | 02 | 02 | 06 | 06 | 06 | 06 |

FOR REAR PLUG UP APPLICATIONS, PCB THICKNESS RANGE: 4.30 -5.70 WHEN MATED TO METRAL 1000 RECEPT. AND 5.30-5.70 WHEN MATED TO METRAL 4000 RECEPT. (2.30 MIN IN NON-STANDARD REAR PLUG UP APPLICATIONS)

| METRAL P/N | ROW | CONTACT CODE | | | | | | | | | | | |
|---|-----|--------------|------|------|------|------|------|------|------|------|------|------|------|
| | | 1 | 2 | 3 | 4 | 5 | 6 | 7 | 8 | 9 | 10 | 11 | 12 |
| 63784-X023 RPU FOR LEAD FREE SEE NOTE 15 | H | 03 | 03 | 03 | 03 | 03 | 03 | 03 | 03 | 03 | 03 | 03 | 03 |
| | G | 03 | 03 | 03 | 03 | 03 | 03 | 03 | 03 | 03 | 03 | 03 | 03 |
| | F | - 03 | - 03 | - 03 | - 03 | - 03 | - 03 | - 03 | - 03 | - 03 | - 03 | - 03 | - 03 |
| | E | 03 | 03 | 03 | 03 | 41 | 41 | 41 | 41 | 41 | 41 | 41 | 41 |
| | D | 03 | 03 | 03 | 03 | 37 | 37 | 37 | 37 | 37 | 37 | 37 | 37 |
| | C | 03 | 03 | 03 | 03 | 50 | 50 | 50 | 50 | 50 | 50 | 50 | 50 |
| | B | 03 | 03 | 03 | 03 | 37 | 37 | 37 | 37 | 37 | 37 | 37 | 37 |
| | A | 03 | 03 | 03 | 03 | 50 | 50 | 50 | 50 | 50 | 50 | 50 | 50 |
| | GND | 02 | 02 | 02 | 02 | 06 | 06 | 06 | 06 | 06 | 06 | 06 | 06 |

FOR REAR PLUG UP APPLICATIONS, PCB TH'K RANGE: 4.30-5.70 WHEN MATED TO METRAL 1000 RECEPT. AND 5.30-5.70 WHEN MATED TO METRAL 4000 RECEPT. (2.30 MIN IN NON-STANDARD REAR PLUG-UP APPLICATIONS)

| METRAL P/N | ROW | CONTACT CODE | | | | | | | | | | | |
|---|-----|--------------|------|------|------|------|------|------|------|------|------|------|------|
| | | 1 | 2 | 3 | 4 | 5 | 6 | 7 | 8 | 9 | 10 | 11 | 12 |
| 63784-X024 RPU FOR LEAD FREE SEE NOTE 15 | H | 03 | 03 | 03 | 03 | 03 | 03 | 03 | 03 | 03 | 03 | 03 | 03 |
| | G | 03 | 03 | 03 | 03 | 03 | 03 | 03 | 03 | 03 | 03 | 03 | 03 |
| | F | - 03 | - 03 | - 03 | - 03 | - 03 | - 03 | - 03 | - 03 | - 03 | - 03 | - 03 | - 03 |
| | E | 41 | 41 | 41 | 41 | 41 | 41 | 41 | 41 | 03 | 03 | 03 | 03 |
| | D | 37 | 37 | 37 | 37 | 37 | 37 | 37 | 37 | 03 | 03 | 03 | 03 |
| | C | 50 | 50 | 50 | 50 | 50 | 50 | 50 | 50 | 03 | 03 | 03 | 03 |
| | B | 37 | 37 | 37 | 37 | 37 | 37 | 37 | 37 | 03 | 03 | 03 | 03 |
| | A | 50 | 50 | 50 | 50 | 50 | 50 | 50 | 50 | 03 | 03 | 03 | 03 |
| | GND | 06 | 06 | 06 | 06 | 06 | 06 | 06 | 06 | 02 | 02 | 02 | 02 |

FOR REAR PLUG UP APPLICATIONS, PCB THICKNESS RANGE: 4.30 -5.70 WHEN MATED TO METRAL 1000 RECEPT. AND 5.30-5.70 WHEN MATED TO METRAL 4000 RECEPT. (2.30 MIN IN NON-STANDARD REAR PLUG UP APPLICATIONS)

| METRAL P/N | ROW | CONTACT CODE | | | | | | | | | | | |
|---|-----|--------------|------|------|------|------|------|------|------|------|------|------|------|
| | | 1 | 2 | 3 | 4 | 5 | 6 | 7 | 8 | 9 | 10 | 11 | 12 |
| 63784-X025 RPU FOR LEAD FREE SEE NOTE 15 | H | 03 | 03 | 03 | 03 | 03 | 03 | 03 | 03 | 03 | 03 | 03 | 03 |
| | G | 03 | 03 | 03 | 03 | 03 | 03 | 03 | 03 | 03 | 03 | 03 | 03 |
| | F | - 03 | - 03 | - 03 | - 03 | - 03 | - 03 | - 03 | - 03 | - 03 | - 03 | - 03 | - 03 |
| | E | 03 | 03 | 03 | 03 | 03 | 03 | 03 | 03 | 03 | 03 | 41 | 41 |
| | D | 03 | 03 | 03 | 03 | 03 | 03 | 03 | 03 | 03 | 03 | 37 | 37 |
| | C | 03 | 03 | 03 | 03 | 03 | 03 | 03 | 03 | 03 | 03 | 50 | 50 |
| | B | 03 | 03 | 03 | 03 | 03 | 03 | 03 | 03 | 03 | 03 | 37 | 37 |
| | A | 03 | 03 | 03 | 03 | 03 | 03 | 03 | 03 | 03 | 03 | 50 | 50 |
| | GND | 02 | 02 | 02 | 02 | 02 | 02 | 02 | 02 | 02 | 02 | 06 | 06 |

FOR REAR PLUG UP APPLICATIONS, PCB THICKNESS RANGE: 4.30 -5.70 WHEN MATED TO METRAL 1000 RECEPT. AND 5.30-5.70 WHEN MATED TO METRAL 4000 RECEPT. (2.30 MIN IN NON-STANDARD REAR PLUG UP APPLICATIONS)

| METRAL P/N | ROW | CONTACT CODE | | | | | | | | | | | |
|---|-----|--------------|------|------|------|------|------|------|------|------|------|------|------|
| | | 1 | 2 | 3 | 4 | 5 | 6 | 7 | 8 | 9 | 10 | 11 | 12 |
| 63784-X026 RPU FOR LEAD FREE SEE NOTE 15 | H | 03 | 03 | 03 | 03 | 03 | 03 | 03 | 03 | 03 | 03 | 03 | 03 |
| | G | 03 | 03 | 03 | 03 | 03 | 03 | 03 | 03 | 03 | 03 | 03 | 03 |
| | F | - 03 | - 03 | - 03 | - 03 | - 03 | - 03 | - 03 | - 03 | - 03 | - 03 | - 03 | - 03 |
| | E | 03 | 03 | 03 | 03 | 03 | 03 | 41 | 41 | 41 | 41 | 41 | 41 |
| | D | 03 | 03 | 03 | 03 | 03 | 03 | 37 | 37 | 37 | 37 | 37 | 37 |
| | C | 03 | 03 | 03 | 03 | 03 | 03 | 50 | 50 | 50 | 50 | 50 | 50 |
| | B | 03 | 03 | 03 | 03 | 03 | 03 | 37 | 37 | 37 | 37 | 37 | 37 |
| | A | 03 | 03 | 03 | 03 | 03 | 03 | 50 | 50 | 50 | 50 | 50 | 50 |
| | GND | 02 | 02 | 02 | 02 | 02 | 02 | 06 | 06 | 06 | 06 | 06 | 06 |

FOR REAR PLUG UP APPLICATIONS, PCB THICKNESS RANGE: 4.30 -5.70 WHEN MATED TO METRAL 1000 RECEPT. AND 5.30-5.70 WHEN MATED TO METRAL 4000 RECEPT. (2.30 MIN IN NON-STANDARD REAR PLUG UP APPLICATIONS)

| METRAL P/N | ROW | CONTACT CODE | | | | | | | | | | | |
|---|-----|--------------|------|------|------|------|------|------|------|------|------|------|------|
| | | 1 | 2 | 3 | 4 | 5 | 6 | 7 | 8 | 9 | 10 | 11 | 12 |
| 63784-X027 FOR LEAD FREE SEE NOTE 15 | H | 03 | 03 | 03 | 03 | 03 | 03 | 03 | 03 | 03 | 03 | 03 | 03 |
| | G | 03 | 03 | 03 | 03 | 03 | 03 | 03 | 03 | 03 | 03 | 03 | 03 |
| | F | - 03 | - 03 | - 03 | - 03 | - 03 | - 03 | - 03 | - 03 | - 03 | - 03 | - 03 | - 03 |
| | E | 03 | 03 | 03 | 03 | 03 | 03 | 03 | 03 | 03 | 03 | 03 | 03 |
| | D | 03 | 03 | 03 | 03 | 03 | 03 | 03 | 03 | 03 | 03 | 03 | 03 |
| | C | 03 | 03 | 03 | 03 | 03 | 03 | 03 | 03 | 03 | 03 | 03 | 03 |
| | B | 03 | 03 | 03 | 03 | 03 | 03 | 03 | 03 | 03 | 03 | 03 | 03 |
| | A | 03 | 03 | 03 | 03 | 03 | 03 | 03 | 03 | 03 | 03 | 03 | 03 |
| | GND | 02 | 02 | 02 | 02 | 02 | 02 | 02 | 02 | 02 | 02 | 02 | 02 |

| | | | | | | | | | | | |
|-----------------------|----------|-------|------|---------------------------------------|--|------------------------|--|------------|--|-------------------------------|--|
| mat'l code SEE NOTE 5 | | | | tolerances unless otherwise specified | | | | CUSTOMER | | FCi www.fciconnect.com | |
| ltr | ecn no. | dr | date | linear | | 0.X ±0.3 | | COPY | | title | |
| AL | | | | angles | | 0.XX ±0.13 | | projection | | VERTICAL SIGNAL HDR 8 ROW | |
| | | | | | | .XXX ±.051 | | MM | | P.F. 96 POS. SELECT LOAD EXT. | |
| | | | | | | 0° ±2° | | MM | | product family METRAL 1000 | |
| | | | | dr | | E. KROPER. 2001-01-10 | | scale | | code | |
| | | | | engr | | J. VOLSTORF 2001-01-10 | | A | | 213 | |
| | | | | chr | | J. VOLSTORF 2001-01-10 | | size | | sheet | |
| | | | | appd | | J. VOLSTORF 2001-01-10 | | 63784 | | 8 | |
| sheet index | revision | sheet | | | | | | A | | | |

Pro/E 3 cage code 22526 4

This document is the property of and embodies CONFIDENTIAL and PROPRIETARY information of FCi. No part of the information shown on this document may be used in any way or disclosed to others without the written consent of FCi. Copyright FCi.



A

B

| METRAL P/N | ROW | CONTACT CODE | | | | | | | | | | | |
|---|-----|--------------|----|----|----|----|----|----|----|----|----|----|----|
| | | 1 | 2 | 3 | 4 | 5 | 6 | 7 | 8 | 9 | 10 | 11 | 12 |
| 63784-X028 RPU FOR LEAD FREE SEE NOTE 15 | H | 05 | 05 | 05 | 05 | 05 | 05 | 05 | 05 | 05 | 05 | 05 | 05 |
| | G | 05 | 05 | 05 | 05 | 05 | 05 | 05 | 05 | 05 | 05 | 05 | 05 |
| | F | 05 | 05 | 05 | 05 | 05 | 05 | 05 | 05 | 05 | 05 | 05 | 05 |
| | E | 05 | 05 | 05 | 05 | 05 | 05 | 05 | 05 | 05 | 05 | 05 | 05 |
| | D | 01 | 01 | 01 | 01 | 01 | 01 | 01 | 01 | 01 | 01 | 01 | 01 |
| | C | 01 | 01 | 01 | 01 | 01 | 01 | 01 | 01 | 01 | 01 | 01 | 01 |
| | B | 01 | 01 | 01 | 01 | 01 | 01 | 01 | 01 | 01 | 01 | 01 | 01 |
| | A | 01 | 01 | 01 | 01 | 01 | 01 | 01 | 01 | 01 | 01 | 01 | 01 |
| GND | 01 | 01 | 01 | 01 | 01 | 01 | 01 | 01 | 01 | 01 | 01 | 01 | |

FOR REAR PLUG UP APPLICATIONS, PCB THICKNESS RANGE: 2.95 -5.30 WHEN MATED TO METRAL 1000 RECEPT. AND 3.30-5.30 WHEN MATED TO METRAL 4000 RECEPT. (2.30 MIN IN NON-STANDARD REAR PLUG UP APPLICATIONS) NO PIN ALIGNER

| METRAL P/N | ROW | CONTACT CODE | | | | | | | | | | | |
|---|-----|--------------|----|----|----|----|----|----|----|----|----|----|----|
| | | 1 | 2 | 3 | 4 | 5 | 6 | 7 | 8 | 9 | 10 | 11 | 12 |
| 63784-X029 RPU FOR LEAD FREE SEE NOTE 15 | H | 01 | 01 | 01 | 01 | 01 | 01 | 01 | 01 | 01 | 01 | 01 | 01 |
| | G | 01 | 01 | 01 | 01 | 01 | 01 | 01 | 01 | 01 | 01 | 01 | 01 |
| | F | 01 | 01 | 01 | 01 | 01 | 01 | 01 | 01 | 01 | 01 | 01 | 01 |
| | E | 05 | 05 | 05 | 05 | 05 | 05 | 05 | 05 | 05 | 05 | 05 | 05 |
| | D | 05 | 05 | 05 | 05 | 05 | 05 | 05 | 05 | 05 | 05 | 05 | 05 |
| | C | 05 | 05 | 05 | 05 | 05 | 05 | 05 | 05 | 05 | 05 | 05 | 05 |
| | B | 05 | 05 | 05 | 05 | 05 | 05 | 05 | 05 | 05 | 05 | 05 | 05 |
| | A | 05 | 05 | 05 | 05 | 05 | 05 | 05 | 05 | 05 | 05 | 05 | 05 |
| GND | 01 | 01 | 01 | 01 | 01 | 01 | 01 | 01 | 01 | 01 | 01 | 01 | |

FOR REAR PLUG UP APPLICATIONS, PCB THICKNESS RANGE: 2.95 -5.30 WHEN MATED TO METRAL 1000 RECEPT. AND 3.30-5.30 WHEN MATED TO METRAL 4000 RECEPT. (2.30 MIN IN NON-STANDARD REAR PLUG UP APPLICATIONS) NO PIN ALIGNER

| METRAL P/N | ROW | CONTACT CODE | | | | | | | | | | | |
|---|-----|--------------|----|----|----|----|----|----|----|----|----|----|----|
| | | 1 | 2 | 3 | 4 | 5 | 6 | 7 | 8 | 9 | 10 | 11 | 12 |
| 63784-X030 RPU FOR LEAD FREE SEE NOTE 15 | H | 05 | 05 | 05 | 05 | 05 | 05 | 01 | 01 | 01 | 01 | 01 | 01 |
| | G | 05 | 05 | 05 | 05 | 05 | 05 | 01 | 01 | 01 | 01 | 01 | 01 |
| | F | 05 | 05 | 05 | 05 | 05 | 05 | 01 | 01 | 01 | 01 | 01 | 01 |
| | E | 05 | 05 | 05 | 05 | 05 | 05 | 01 | 01 | 01 | 01 | 01 | 01 |
| | D | 01 | 01 | 01 | 01 | 01 | 01 | 01 | 01 | 01 | 01 | 01 | 01 |
| | C | 01 | 01 | 01 | 01 | 01 | 01 | 01 | 01 | 01 | 01 | 01 | 01 |
| | B | 01 | 01 | 01 | 01 | 01 | 01 | 01 | 01 | 01 | 01 | 01 | 01 |
| | A | 01 | 01 | 01 | 01 | 01 | 01 | 01 | 01 | 01 | 01 | 01 | 01 |
| GND | 01 | 01 | 01 | 01 | 01 | 01 | 01 | 01 | 01 | 01 | 01 | 01 | |

FOR REAR PLUG UP APPLICATIONS, PCB THICKNESS RANGE: 2.95 -5.30 WHEN MATED TO METRAL 1000 RECEPT. AND 3.30-5.30 WHEN MATED TO METRAL 4000 RECEPT. (2.30 MIN IN NON-STANDARD REAR PLUG UP APPLICATIONS) NO PIN ALIGNER

| METRAL P/N | ROW | CONTACT CODE | | | | | | | | | | | |
|---|-----|--------------|----|----|----|----|----|----|----|----|----|----|----|
| | | 1 | 2 | 3 | 4 | 5 | 6 | 7 | 8 | 9 | 10 | 11 | 12 |
| 63784-X031 RPU FOR LEAD FREE SEE NOTE 15 | H | 05 | 05 | 05 | 05 | 05 | 05 | 05 | 05 | 05 | 05 | 05 | 05 |
| | G | 05 | 05 | 05 | 05 | 05 | 05 | 05 | 05 | 05 | 05 | 05 | 05 |
| | F | 05 | 05 | 05 | 05 | 05 | 05 | 05 | 05 | 05 | 05 | 05 | 05 |
| | E | 05 | 05 | 05 | 05 | 05 | 05 | 05 | 05 | 05 | 05 | 05 | 05 |
| | D | 19 | 19 | 19 | 19 | 19 | 19 | 19 | 19 | 19 | 19 | 19 | 19 |
| | C | 01 | 01 | 01 | 01 | 01 | 01 | 01 | 01 | 01 | 01 | 01 | 01 |
| | B | 01 | 01 | 01 | 01 | 01 | 01 | 01 | 01 | 01 | 01 | 01 | 01 |
| | A | 01 | 01 | 01 | 01 | 01 | 01 | 01 | 01 | 01 | 01 | 01 | 01 |
| GND | 01 | 01 | 01 | 01 | 01 | 01 | 01 | 01 | 01 | 01 | 01 | 01 | |

FOR REAR PLUG UP APPLICATIONS, PCB THICKNESS RANGE: 2.95 -5.30 WHEN MATED TO METRAL 1000 RECEPT. AND 3.30-5.30 WHEN MATED TO METRAL 4000 RECEPT. (2.30 MIN IN NON-STANDARD REAR PLUG UP APPLICATIONS) NO PIN ALIGNER

| METRAL P/N | ROW | CONTACT CODE | | | | | | | | | | | |
|---|-----|--------------|----|----|----|----|----|----|----|----|----|----|----|
| | | 1 | 2 | 3 | 4 | 5 | 6 | 7 | 8 | 9 | 10 | 11 | 12 |
| 63784-X032 RPU FOR LEAD FREE SEE NOTE 15 | H | 03 | 03 | 03 | 03 | 03 | 03 | 03 | 03 | 03 | 03 | 19 | 02 |
| | G | 03 | 03 | 03 | 03 | 03 | 03 | 03 | 03 | 03 | 03 | 19 | 19 |
| | F | - | 03 | - | 03 | - | 03 | - | 03 | - | 03 | - | 03 |
| | E | 41 | 41 | 41 | 41 | 41 | 41 | 41 | 41 | 03 | 03 | 19 | 19 |
| | D | 37 | 37 | 37 | 37 | 37 | 37 | 37 | 37 | 19 | 19 | 03 | 03 |
| | C | 50 | 50 | 50 | 50 | 50 | 50 | 50 | 50 | 03 | 03 | 19 | 19 |
| | B | 37 | 37 | 37 | 37 | 37 | 37 | 37 | 37 | 03 | 03 | 19 | 19 |
| | A | 50 | 50 | 50 | 50 | 50 | 50 | 50 | 50 | 03 | 03 | 19 | 19 |
| GND | 06 | 06 | 06 | 06 | 06 | 06 | 06 | 06 | 02 | 02 | 02 | 02 | |

FOR REAR PLUG UP APPLICATIONS, PCB THICKNESS RANGE: 4.30-5.70 WHEN MATED TO METRAL 1000 RECEPT. CANNOT BE MATED TO METRAL 4000 RECEPT. (2.30 MIN IN NON-STANDARD REAR PLUG-UP APPLICATIONS)

| | | | | | | | | | |
|-----------------------|----------------|----|------|---------------------------------------|------------------------|------------|-------------------------------|--------------------|---------------------------|
| mat'l code SEE NOTE 5 | | | | tolerances unless otherwise specified | | CUSTOMER | | FCi | |
| ltr | ecn no. | dr | date | linear | 0.X ±0.3 | COPY | | www.fciconnect.com | |
| AL | | | | angles | 0.XX ±0.13 | projection | title | | VERTICAL SIGNAL HDR 8 ROW |
| | | | | | .XXX ±.051 | | P.F. 96 POS. SELECT LOAD EXT. | | |
| | | | | dr | E. KROPER. 2001-01-10 | MM | product family | METRAL 1000 | code |
| | | | | engr | J. VOLSTORF 2001-01-10 | | size | dwg no | 213 |
| | | | | chr | J. VOLSTORF 2001-01-10 | scale | A | 63784 | sheet |
| | | | | appd | J. VOLSTORF 2001-01-10 | 1:1 | | | 9 |
| sheet index | revision sheet | | | | | | | | |

| METRAL P/N | ROW | CONTACT CODE | | | | | | | | | | | |
|--|-----|--------------|----|----|----|----|----|----|----|----|----|----|----|
| | | 1 | 2 | 3 | 4 | 5 | 6 | 7 | 8 | 9 | 10 | 11 | 12 |
| 63784-X033 *RPU FOR LEAD FREE SEE NOTE 15 | H | 03 | 03 | 03 | 03 | 03 | 03 | 03 | 03 | 03 | 03 | 03 | 03 |
| | G | 03 | 03 | 03 | 03 | 03 | 03 | 03 | 03 | 03 | 03 | 03 | 03 |
| | F | - | 03 | - | 03 | - | 03 | - | 03 | - | 03 | - | 03 |
| | E | 03 | 03 | 41 | 41 | 41 | 41 | 41 | 41 | 03 | 03 | 03 | 03 |
| | D | 03 | 03 | 37 | 37 | 37 | 37 | 37 | 37 | 03 | 03 | 03 | 03 |
| | C | 03 | 03 | 50 | 50 | 50 | 50 | 50 | 50 | 03 | 03 | 03 | 03 |
| | B | 03 | 03 | 37 | 37 | 37 | 37 | 37 | 37 | 03 | 03 | 03 | 03 |
| | A | 03 | 03 | 50 | 50 | 50 | 50 | 50 | 50 | 03 | 03 | 03 | 03 |
| GND | 02 | 02 | 06 | 06 | 06 | 06 | 06 | 06 | 02 | 02 | 02 | 02 | |

FOR REAR PLUG UP APPLICATIONS, PCB THICKNESS RANGE: 4.30 -5.70 WHEN MATED TO METRAL 1000 RECEPT. AND 5.30-5.70 WHEN MATED TO METRAL 4000 RECEPT. (2.30 MIN IN NON-STANDARD REAR PLUG UP APPLICATIONS)

| METRAL P/N | ROW | CONTACT CODE | | | | | | | | | | | |
|---|-----|--------------|----|----|----|----|----|----|----|----|----|----|----|
| | | 1 | 2 | 3 | 4 | 5 | 6 | 7 | 8 | 9 | 10 | 11 | 12 |
| 63784-X034 FOR LEAD FREE SEE NOTE 15 | H | 02 | 02 | 02 | 02 | 02 | 02 | 02 | 02 | 02 | 02 | 02 | 02 |
| | G | 02 | 02 | 02 | 02 | 02 | 02 | 02 | 02 | 02 | 02 | 02 | 02 |
| | F | 04 | 04 | 02 | 02 | 02 | 02 | 02 | 02 | 02 | 02 | 02 | 02 |
| | E | 02 | 02 | 02 | 02 | 02 | 02 | 02 | 02 | 02 | 02 | 02 | 02 |
| | D | 02 | 02 | 02 | 02 | 02 | 02 | 02 | 02 | 02 | 02 | 02 | 02 |
| | C | 02 | 02 | 02 | 02 | 02 | 02 | 02 | 02 | 02 | 02 | 02 | 02 |
| | B | 02 | 02 | 02 | 02 | 02 | 02 | 02 | 02 | 02 | 02 | 02 | 02 |
| | A | 02 | 02 | 02 | 02 | 02 | 02 | 02 | 02 | 02 | 02 | 02 | 02 |
| GND | 02 | 02 | 02 | 02 | 02 | 02 | 02 | 02 | 02 | 02 | 02 | 02 | |

| METRAL P/N | ROW | CONTACT CODE | | | | | | | | | | | |
|---|-----|--------------|----|----|----|----|----|----|----|----|----|----|----|
| | | 1 | 2 | 3 | 4 | 5 | 6 | 7 | 8 | 9 | 10 | 11 | 12 |
| 63784-X035 FOR LEAD FREE SEE NOTE 15 | H | 02 | 02 | 02 | 02 | 02 | 02 | 02 | 02 | 02 | 02 | 02 | 02 |
| | G | 02 | 02 | 02 | 02 | 02 | 02 | 02 | 02 | 02 | 02 | 02 | 02 |
| | F | 04 | 04 | 02 | 02 | 02 | 02 | 01 | 02 | 02 | 02 | 02 | 02 |
| | E | 02 | 02 | 02 | 02 | 02 | 02 | 02 | 02 | 02 | 02 | 02 | 02 |
| | D | 02 | 02 | 02 | 02 | 02 | 02 | 02 | 02 | 02 | 02 | 02 | 02 |
| | C | 02 | 02 | 02 | 02 | 02 | 02 | 02 | 02 | 02 | 02 | 02 | 02 |
| | B | 02 | 02 | 02 | 02 | 02 | 02 | 02 | 02 | 02 | 02 | 02 | 02 |
| | A | 02 | 02 | 02 | 02 | 02 | 02 | 02 | 02 | 02 | 02 | 02 | 02 |
| GND | 02 | 02 | 02 | 02 | 02 | 02 | 02 | 02 | 02 | 02 | 02 | 02 | |

| METRAL P/N | ROW | CONTACT CODE | | | | | | | | | | | |
|---|-----|--------------|----|----|----|----|----|----|----|----|----|----|----|
| | | 1 | 2 | 3 | 4 | 5 | 6 | 7 | 8 | 9 | 10 | 11 | 12 |
| 63784-X036 FOR LEAD FREE SEE NOTE 15 | H | 02 | 02 | 02 | 02 | 02 | 02 | 03 | 01 | 01 | 03 | 01 | 01 |
| | G | 02 | 02 | 02 | 02 | 02 | 02 | 03 | 01 | 01 | 03 | 01 | 01 |
| | F | 02 | 02 | 02 | 02 | 02 | 02 | 03 | 01 | 01 | 03 | 01 | 01 |
| | E | 03 | 02 | 02 | 02 | 02 | 02 | 03 | 01 | 01 | 03 | 01 | 01 |
| | D | 03 | 02 | 02 | 02 | 02 | 02 | 03 | 01 | 01 | 03 | 01 | 01 |
| | C | 03 | 02 | 02 | 02 | 02 | 02 | 03 | 01 | 01 | 03 | 01 | 01 |
| | B | 03 | 02 | 03 | 02 | 02 | 02 | 03 | 01 | 01 | 03 | 01 | 01 |
| | A | 03 | 02 | 02 | 02 | 02 | 02 | 02 | 01 | 01 | 03 | 01 | 01 |
| GND | 02 | 02 | 02 | 02 | 02 | 02 | 02 | 02 | 02 | 02 | 02 | 02 | |

A

B

Pro/E

3

cage code 22526

4

PDM: Rev:AL

STATUS: Released

Printed: May 13, 2011

| METRAL P/N | ROW | CONTACT CODE | | | | | | | | | | | |
|--|-----|--------------|----|----|----|----|----|----|----|----|----|----|----|
| | | 1 | 2 | 3 | 4 | 5 | 6 | 7 | 8 | 9 | 10 | 11 | 12 |
| 63784-X037 FOR LEAD FREE SEE NOTE 15 | H | 03 | 02 | 02 | 03 | 02 | 03 | 02 | 02 | 02 | 02 | 03 | 02 |
| | G | 03 | 02 | 02 | 03 | 02 | 03 | 02 | 03 | 03 | 02 | 03 | 02 |
| | F | 03 | 02 | 02 | 03 | 03 | 03 | 03 | 02 | 02 | 03 | 03 | 02 |
| | E | 03 | 02 | 02 | 03 | 02 | 03 | 02 | 03 | 02 | 02 | 02 | 03 |
| | D | 03 | 02 | 02 | 03 | 02 | 03 | 02 | 03 | 02 | 02 | 02 | 03 |
| | C | 03 | 02 | 02 | 03 | 03 | 03 | 03 | 03 | 02 | 03 | 03 | 02 |
| | B | 03 | 02 | 02 | 03 | 02 | 03 | 02 | 02 | 02 | 02 | 03 | 02 |
| | A | 03 | 02 | 02 | 03 | 02 | 03 | 02 | 02 | 02 | 02 | 02 | 03 |
| | GND | 02 | 02 | 02 | 02 | 02 | 02 | 02 | 02 | 02 | 02 | 02 | 02 |

| METRAL P/N | ROW | CONTACT CODE | | | | | | | | | | | |
|--|-----|--------------|----|----|----|---|----|---|----|---|----|----|----|
| | | 1 | 2 | 3 | 4 | 5 | 6 | 7 | 8 | 9 | 10 | 11 | 12 |
| 63784-X038 FOR LEAD FREE SEE NOTE 15 | H | 02 | 02 | 02 | 19 | - | 19 | - | 02 | - | 02 | - | 19 |
| | G | 02 | 02 | 02 | 19 | - | 19 | - | 02 | - | 02 | - | 19 |
| | F | 02 | - | 02 | 19 | - | 19 | - | - | - | 02 | - | 19 |
| | E | 02 | 02 | 02 | 19 | - | 19 | - | 02 | - | 02 | - | 19 |
| | D | 02 | 02 | 02 | 19 | - | 19 | - | 02 | - | 02 | - | 19 |
| | C | 02 | 02 | 02 | 19 | - | 19 | - | 02 | - | 02 | - | 19 |
| | B | 02 | 02 | 02 | 19 | - | 19 | - | 02 | - | 02 | - | 19 |
| | A | 02 | 02 | 02 | 19 | - | 19 | - | 02 | - | 02 | - | 19 |
| | GND | - | - | - | - | - | - | - | - | - | - | - | - |

| METRAL P/N | ROW | CONTACT CODE | | | | | | | | | | | |
|--|-----|--------------|----|----|----|----|----|----|----|----|----|----|----|
| | | 1 | 2 | 3 | 4 | 5 | 6 | 7 | 8 | 9 | 10 | 11 | 12 |
| 63784-X039 FOR LEAD FREE SEE NOTE 15 | H | 02 | 02 | 02 | 02 | 02 | 02 | 02 | 02 | 02 | 03 | 03 | 03 |
| | G | 02 | 02 | 02 | 02 | 02 | 02 | 02 | 02 | 03 | 03 | 03 | 03 |
| | F | 02 | 02 | 02 | 03 | 02 | 02 | 02 | 02 | 03 | 03 | 03 | 03 |
| | E | 02 | 02 | 02 | 01 | 02 | 02 | 02 | 02 | 03 | 03 | 03 | 03 |
| | D | 03 | 01 | 02 | 01 | 02 | 02 | 02 | 02 | 03 | 03 | 03 | 03 |
| | C | 02 | 02 | 02 | 01 | 02 | 02 | 02 | 02 | 03 | 03 | 03 | 03 |
| | B | 02 | 02 | 02 | 01 | 02 | 02 | 02 | 02 | 03 | 03 | 03 | 03 |
| | A | 03 | 01 | 02 | 01 | 02 | 02 | 02 | 02 | 03 | 03 | 03 | 03 |
| | GND | 01 | 01 | 01 | 01 | 01 | 01 | 01 | 01 | 01 | 01 | 01 | 01 |

| METRAL P/N | ROW | CONTACT CODE | | | | | | | | | | | |
|--|-----|--------------|----|----|----|----|----|----|----|----|----|----|----|
| | | 1 | 2 | 3 | 4 | 5 | 6 | 7 | 8 | 9 | 10 | 11 | 12 |
| 63784-X040 FOR LEAD FREE SEE NOTE 15 | H | 03 | 03 | 03 | 03 | 03 | 03 | 02 | 02 | 02 | 02 | 02 | 02 |
| | G | 03 | 03 | 03 | 03 | 03 | 03 | 02 | 02 | 02 | 02 | 02 | 02 |
| | F | 03 | 03 | 03 | 03 | 03 | 03 | 02 | 02 | 02 | 02 | 02 | 02 |
| | E | 03 | 03 | 03 | 03 | 03 | 03 | 02 | 02 | 02 | 02 | 02 | 02 |
| | D | 03 | 03 | 03 | 03 | 03 | 03 | 02 | 02 | 02 | 02 | 02 | 02 |
| | C | 03 | 03 | 03 | 03 | 03 | 03 | 02 | 02 | 02 | 02 | 02 | 02 |
| | B | 03 | 03 | 03 | 03 | 03 | 03 | 02 | 02 | 02 | 02 | 02 | 02 |
| | A | 03 | 03 | 03 | 03 | 03 | 03 | 02 | 02 | 02 | 02 | 02 | 02 |
| | GND | 01 | 01 | 01 | 01 | 01 | 01 | 01 | 01 | 01 | 01 | 01 | 01 |

| METRAL P/N | ROW | CONTACT CODE | | | | | | | | | | | |
|--|-----|--------------|----|----|----|----|----|----|----|----|----|----|----|
| | | 1 | 2 | 3 | 4 | 5 | 6 | 7 | 8 | 9 | 10 | 11 | 12 |
| 63784-X041 FOR LEAD FREE SEE NOTE 15 | H | 02 | 02 | 02 | 02 | 02 | 02 | 02 | 02 | 02 | 02 | 01 | 02 |
| | G | 02 | 02 | 02 | 02 | 02 | 02 | 02 | 02 | 02 | 02 | 01 | 02 |
| | F | 02 | 02 | 02 | 02 | 02 | 02 | 02 | 02 | 02 | 02 | 01 | 02 |
| | E | 02 | 02 | 02 | 02 | 02 | 02 | 02 | 02 | 02 | 02 | 02 | 02 |
| | D | 02 | 02 | 02 | 02 | 02 | 02 | 02 | 02 | 02 | 02 | 03 | 02 |
| | C | 02 | 02 | 02 | 02 | 02 | 02 | 02 | 02 | 02 | 02 | 03 | 02 |
| | B | 02 | 02 | 02 | 02 | 02 | 02 | 02 | 02 | 02 | 02 | 03 | 02 |
| | A | 02 | 02 | 02 | 02 | 02 | 02 | 02 | 02 | 02 | 02 | 01 | 02 |
| | GND | 01 | 01 | 01 | 01 | 01 | 01 | 01 | 01 | 01 | 01 | 01 | 01 |

| METRAL P/N | ROW | CONTACT CODE | | | | | | | | | | | |
|--|-----|--------------|----|----|----|----|----|----|----|----|----|----|----|
| | | 1 | 2 | 3 | 4 | 5 | 6 | 7 | 8 | 9 | 10 | 11 | 12 |
| 63784-X042 FOR LEAD FREE SEE NOTE 15 | H | 01 | 02 | 02 | 02 | 02 | 02 | 01 | 02 | 02 | 02 | 02 | 03 |
| | G | 02 | 02 | 02 | 02 | 02 | 02 | 02 | 02 | 02 | 02 | 02 | 03 |
| | F | 02 | 02 | 02 | 02 | 02 | 02 | 02 | 02 | 02 | 02 | 02 | 03 |
| | E | 02 | 02 | 02 | 02 | 02 | 02 | 02 | 02 | 02 | 02 | 02 | 03 |
| | D | 02 | 02 | 02 | 02 | 02 | 02 | 02 | 02 | 02 | 02 | 02 | 03 |
| | C | 02 | 02 | 02 | 02 | 02 | 02 | 02 | 02 | 02 | 02 | 02 | 03 |
| | B | 02 | 02 | 02 | 02 | 02 | 02 | 02 | 02 | 02 | 02 | 02 | 03 |
| | A | 02 | 02 | 02 | 02 | 02 | 02 | 02 | 02 | 02 | 02 | 02 | 03 |
| | GND | 01 | 01 | 01 | 01 | 01 | 01 | 01 | 01 | 01 | 01 | 01 | 01 |

| METRAL P/N | ROW | CONTACT CODE | | | | | | | | | | | |
|--|-----|--------------|----|----|----|----|----|----|----|----|----|----|----|
| | | 1 | 2 | 3 | 4 | 5 | 6 | 7 | 8 | 9 | 10 | 11 | 12 |
| 63784-X043 FOR LEAD FREE SEE NOTE 15 | H | 02 | 02 | 02 | 02 | 01 | 02 | 01 | 02 | 02 | 02 | 02 | 03 |
| | G | 02 | 02 | 02 | 02 | 01 | 02 | 02 | 02 | 02 | 02 | 02 | 03 |
| | F | 02 | 02 | 02 | 02 | 01 | 02 | 02 | 02 | 02 | 02 | 02 | 03 |
| | E | 02 | 02 | 02 | 02 | 01 | 02 | 02 | 02 | 02 | 02 | 02 | 03 |
| | D | 02 | 02 | 02 | 02 | 03 | 02 | 02 | 02 | 02 | 02 | 02 | 03 |
| | C | 02 | 02 | 02 | 02 | 03 | 02 | 02 | 02 | 02 | 02 | 02 | 03 |
| | B | 02 | 02 | 02 | 02 | 03 | 02 | 02 | 02 | 02 | 02 | 02 | 03 |
| | A | 02 | 02 | 02 | 02 | 03 | 02 | 02 | 02 | 02 | 02 | 02 | 03 |
| | GND | 01 | 01 | 01 | 01 | 01 | 01 | 01 | 01 | 01 | 01 | 01 | 01 |



This document is the property of and embodies CONFIDENTIAL and PROPRIETARY information of FCI. No part of the information shown on this document may be used in any way or disclosed to others without the written consent of FCI. Copyright FCI.

| | | | | | | | | | | | |
|-----------------------|----------------|----|------|---------------------------------------|-------------|-------------|------------|----------|------------|--------------------|---|
| mat'l code SEE NOTE 5 | | | | tolerances unless otherwise specified | | | | CUSTOMER | | www.fciconnect.com | |
| ltr | ecn no. | dr | date | linear | 0.X ±0.3 | | | | COPY | | title VERTICAL SIGNAL HDR 8 ROW P.F. 96 POS. SELECT LOAD EXT. |
| AL | | | | | 0.XX ±0.13 | | | | projection | | |
| | | | | | .XXX ±.051 | | | | | | |
| | | | | angles | 0° ±2° | | | | | | product family METRAL 1000 code size dwg no A 63784 sheet 10 |
| | | | | | dr | E. KROPER. | 2001-01-10 | scale | | 1:1 | |
| | | | | | enrg | J. VOLSTORF | 2001-01-10 | | | | |
| | | | | | chr | J. VOLSTORF | 2001-01-10 | | | | |
| | | | | appd | J. VOLSTORF | 2001-01-10 | | | | | |
| sheet index | revision sheet | | | | | | | | | | |



Стандарт Электрон Связь

Мы молодая и активно развивающаяся компания в области поставок электронных компонентов. Мы поставляем электронные компоненты отечественного и импортного производства напрямую от производителей и с крупнейших складов мира.

Благодаря сотрудничеству с мировыми поставщиками мы осуществляем комплексные и плановые поставки широчайшего спектра электронных компонентов.

Собственная эффективная логистика и склад в обеспечивает надежную поставку продукции в точно указанные сроки по всей России.

Мы осуществляем техническую поддержку нашим клиентам и предпродажную проверку качества продукции. На все поставляемые продукты мы предоставляем гарантию .

Осуществляем поставки продукции под контролем ВП МО РФ на предприятия военно-промышленного комплекса России , а также работаем в рамках 275 ФЗ с открытием отдельных счетов в уполномоченном банке. Система менеджмента качества компании соответствует требованиям ГОСТ ISO 9001.

Минимальные сроки поставки, гибкие цены, неограниченный ассортимент и индивидуальный подход к клиентам являются основой для выстраивания долгосрочного и эффективного сотрудничества с предприятиями радиоэлектронной промышленности, предприятиями ВПК и научно-исследовательскими институтами России.

С нами вы становитесь еще успешнее!

Наши контакты:

Телефон: +7 812 627 14 35

Электронная почта: sales@st-electron.ru

Адрес: 198099, Санкт-Петербург,
Промышленная ул, дом № 19, литера Н,
помещение 100-Н Офис 331