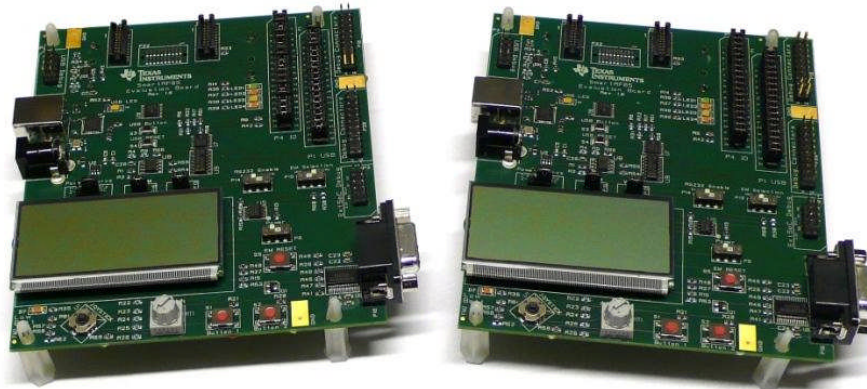


CC2530 Development Kit User's Guide



swru208b

Table of contents

CC2530 Development Kit User's Guide	1
1 Introduction	3
2 About this manual	3
3 Acronyms.....	4
4 Development Kit contents.....	5
5 Getting started.....	7
5.1 Setting up the hardware.....	7
5.2 Running the Preprogrammed PER Test on the CC2530EM	8
5.3 Evaluate the CC2530 Radio using SmartRF Studio.....	9
5.4 Setting up the Software Development Environment.....	11
6 RF Testing.....	12
6.1 TX Parameter Testing Basics	12
6.2 RX Parameter Testing Basics	13
7 CC2530EM.....	14
8 CC2531 USB Dongle.....	15
9 SmartRF05 Evaluation Board.....	17
10 Frequently Asked Questions	18
11 References.....	21
12 Document history	21
Appendix A Setting up the Software Environment	22
A.1 Create the project.....	22
A.2 Project Options.....	23
A.3 Select Device	23
A.4 Select Code and Memory Model.....	24
A.5 Configure the Linker	26
A.6 Configure the Debugger	27
A.7 Write Software.....	28
A.8 Compile and Debug.....	29
A.9 Done!	29
Appendix B Software Solutions for CC2530 from TI.....	30
B.1 SimpliciTI™ Network Protocol.....	30
B.2 TIMAC Software	30
B.3 RemoTI™ Network Protocol	31
B.4 Z-Stack™ Software	31
Appendix C Schematics.....	33

1 Introduction

Thank you for purchasing a CC2530 Development Kit.

The CC2530 is Texas Instrument's second generation ZigBee/IEEE 802.15.4 compliant System-on-Chip with an optimized 8051 MCU core and radio for the 2.4 GHz unlicensed ISM/SRD band. This device enables industrial grade applications by offering state-of-the-art noise immunity, excellent link budget, operation up to 125 degrees and low voltage operation.

In addition, the CC2530 provides extensive hardware support for packet handling, data buffering, burst transmissions, data encryption, data authentication, clear channel assessment, link quality indication and packet timing information.

The CC2530 product folder on the web [1] has more information, with datasheets, user guides and application notes.

The CC2530 Development Kit includes all the necessary hardware to properly evaluate, demonstrate, prototype and develop software targeting not only IEEE802.15.4 or ZigBee compliant applications, but also proprietary applications for which a DSSS radio is required or wanted.

2 About this manual

This manual describes all the hardware included in the CC2530 Development Kit (CC2530DK) and points the user to other useful information sources.

Chapter 4 briefly describes the contents of the development kit and chapter 5 gives a quick introduction to how to get started with the kit. In particular, it describes how to install SmartRF Studio to get the required drivers for the evaluation board, how the hardware can be used, and lists the software that is available for the development kit. Chapter 6 explains some simple methods for performing practical RF testing with the development kit. Chapter 7, 8, and 9 describe the hardware in the kit and where to find more information about how to use it. A troubleshooting guide can be found in chapter 10.

Appendix A gives a detailed description of how to set up the software development environment for the CC2530. Appendix B lists available software solutions for CC2530.

The CC2530DK Quick Start Guide [4] has a short tutorial on how to get started with the kit. The CC2530 Software User's Guide [5] provides details about the software examples and information about other software options for the CC2530.

The PC tools SmartRF Studio and SmartRF Flash Programmer have their own user manuals.

Please visit the CC2530 development kit web page [3] and CC2530 product page [1] for additional information. Further information can be found on the TI LPRF Online Community [7].

See chapter 11 for a list of relevant documents and links.

3 Acronyms

ACM	Abstract Control Model
ADC	Analog to Digital Converter
CDC	Communications Device Class
DK	Development Kit
EB	Evaluation Board
EM	Evaluation Module
HID	Human Interface Device
IC	Integrated Circuit
ISM	Industrial, Scientific and Medical
KB	Kilo Byte (1024 byte)
LCD	Liquid Crystal Display
LED	Light Emitting Diode
LPRF	Low Power RF
MCU	Micro Controller
NC	Not connected
PER	Packet Error Rate
RF	Radio Frequency
RX	Receive
SoC	System on Chip
SPI	Serial Peripheral Interface
SRD	Short Range Device
TI	Texas Instruments
TX	Transmit
UART	Universal Asynchronous Receive Transmit
USB	Universal Serial Bus

4 Development Kit contents

The CC2530 Development Kit (CC2530DK) includes hardware and software that allows quick testing of the CC2530 RF performance and offers a complete platform for development of advanced prototype RF systems.

- Evaluate the CC2530 right out of the box. The kit can be used for range testing using the pre-programmed PER tester running on the CC2530.
- Use SmartRF Studio to perform RF measurements. The radio can be easily configured to measure sensitivity, output power and other RF parameters.
- Prototype development. All I/O pins from the CC2530 are available on pin connectors on the SmartRF05EB, allowing easy interconnection to peripherals on the EB board or other external sensors and devices.

The CC2530DK contains the following components

- 2 x SmartRF05EB (the two large boards)
- 2 x CC2530 Evaluation Modules (the two small boards)
- 2 x Antennas
- 1 x CC2531 USB Dongle
- Cables
- Batteries
- Documents



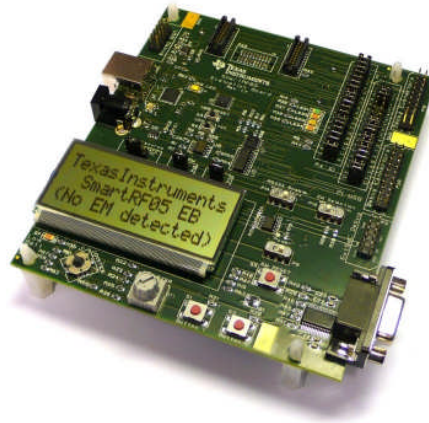
Figure 1 - CC2530 Development Kit Contents

SmartRF05EB

The SmartRF05EB (evaluation board) is the main board in the kit with a wide range of user interfaces:

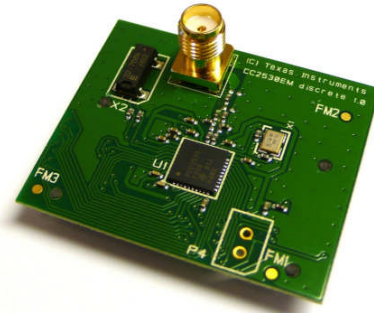
- 3x16 character serial LCD
- Full speed USB 2.0 interface
- UART
- LEDs
- Serial Flash
- Potentiometer
- Joystick
- Buttons

The EB is the platform for the evaluation modules (EM) and can be connected to the PC via USB to control the EM.



CC2530EM

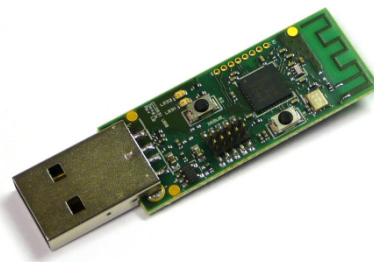
The CC2530EM (evaluation module) contains the RF IC and necessary external components and matching filters for getting the most out of the radio. The module can be plugged into the SmartRF05EB. **Use the EM as reference design for RF layout.** The schematics are included at the end of this document and the layout files can be found on the web [1].



CC2531 USB Dongle

The CC2531 USB Dongle is a fully operational USB device that can be plugged into a PC. The dongle has 2 LEDs, two small push-buttons and connector holes that allow connection of external sensors or devices. The dongle also has a connector for programming and debugging of the CC2531 USB controller.

The dongle comes preprogrammed with firmware such that it can be used as a packet sniffer device.



Antenna

2.4 GHz antenna Titanis from Antenova.



5 Getting started

5.1 Setting up the hardware

After opening the kit, make sure you have all components. Please contact your TI Sales Representative or TI Support [6] if anything is missing.

Start by connecting the antennas to the SMA connector on the RF evaluation boards. Tighten the antenna's screw firmly on to the SMA connector. If not properly connected, you might see reduced RF performance. It is also possible to connect the EM board to RF instruments via coax cables. The EM is designed to match a 50 Ohm load at the SMA connector.

Next, the evaluation modules should be plugged in to the SmartRF05EB. The purpose of the SmartRF05EB is to serve as a general I/O board for testing of the various peripherals of the CC2530 microcontroller. The EB also contains a separate USB controller, which is used as a bridge between the PC and the CC2530 for programming the flash of the CC2530. It is also used for debugging the software running on the CC2530.

The evaluation board can be powered from several different sources:

- 2 x 1.5V AA batteries (included in this kit)
- USB (via the USB connector)
- DC power (4 to 10 Volt) (not included in this kit)
- External regulated power source (not included in this kit)

The power source can be selected using jumper P11 on the SmartRF05EB. The SmartRF05EB User's Guide [8] provides more details.

After assembling the hardware, you now have several options for working with the CC2530:

- **Run the packet error rate (PER) test which is preprogrammed on the CC2530.** The PER test is a quick way to evaluate the range which can be achieved with the radio. Chapter 5.2 will guide you through the PER test.
- **Evaluate and explore the RF capabilities of the CC2530 using SmartRF Studio.** Chapter 5.3 provides the details how to do so.
- **Developing software for the CC2530.** Install IAR Embedded Workbench for 8051 and set up your first software project. Chapter 5.4 explains how.

5.2 Running the Preprogrammed PER Test on the CC2530EM

The CC2530EM comes pre-programmed with a Packet Error Rate (PER) test application. The PER number is the ratio between number of packets being lost and the total number of packets being sent. The PER relates to the more traditional Bit Error Rate (BER) through the formula

$$PER = 1 - (1 - BER)^{packet_length}$$

A PER value of 1% (when the packet length is 20 bytes) is normally used as the limit for determining the sensitivity threshold of the radio. The sensitivity threshold is the lowest input signal strength at which the receiver can decode the signal with a reasonable degree of correctness.

By using the PER test on the CC2530, it is possible to perform practical range testing. Place the transmitter at a fixed location and place the receiver at a given distance from the transmitter. Then run the PER test to measure packet errors and monitor the signal strength. Read the description below for an explanation how the PER and RSSI values are calculated. Repeat at different distances to get an idea of the range that can be obtained.

To get an idea of the best performance of the device, the test should be performed outdoors on a large field with no other RF sources to avoid fading, reflections, and uncontrolled interference. Alternatively, the range test can be used to see what range is obtainable in the actual environment where the RF system is going to be deployed. See document [15] for considerations and applicable theory for performing open field range measurements.

The CC2530DK Quick Start Guide (www.ti.com/lit/swra273) gives a detailed step-by-step guide for running the PER test. We recommend following the steps in that guide.

Please note the following:

- The most natural power source to use for range testing is batteries. There is a voltage regulator on the SmartRF05EB that regulates the voltage to 3.3V on the board, regardless of the voltage from the batteries. If the low batteries LED (LED D7 below the LCD) on the EB board is turned on, the batteries should be changed.
- Both boards have to be set up to operate on the same channel. The channel is one of the 16 IEEE802.15.4 channels. The first channel (channel number 11, per the IEEE specification) is at 2405 MHz, followed by channels in steps of 5 MHz up to 2480 MHz.
- For the best range, use the highest possible output power on the transmitter.
- The PER value is calculated using the following formula:

$$PER = \frac{NumPacketsLost + NumPacketsErrors}{NumPacketsOK + NumPacketsLost + NumPacketsErrors}$$

The software is looking at the sequence number of the received packet to determine how many packets are lost since the last received packet. The PER value on the LCD shows the number per 1000 to avoid time consuming floating point calculations on the controller. That is, if the LCD shows a PER of 6 / 1000, the PER value is 0.6%.

- The RSSI value shown on the LCD is in dBm and represents the average RSSI value from the last 32 received packets. The RSSI value will never be the same for all packets even though the boards are located at the same distance from each other. This is caused by interfering signals, reflections, thermal noise etc.

The source code for the PER test, and a Intel HEX file ready to be programmed on the device, is included in the CC2530 Software Examples, available on the CC2530DK web site [3].

5.3 Evaluate the CC2530 Radio using SmartRF Studio

SmartRF Studio is a PC application developed for configuration and evaluation of many of the RF-IC products from Texas Instruments, including the CC2530. The application communicates with the CC2530 via the USB controller (the CC2511) on the SmartRF05EB board. The USB controller uses the debug interface of the CC2530 to execute commands and to read and write registers.

SmartRF Studio lets you explore the radio on the CC2530, as it gives you full overview and access to the radio registers. The tool has a control interface for running basic radio performance tests from the PC. SmartRF Studio also offers a flexible code export function of radio register settings for software developers.

Before proceeding, please download and install the latest version of SmartRF Studio from the web [9]. By installing Studio, the USB drivers needed for proper interaction between the PC and the hardware of the CC2530DK will also be installed.

In order to use the SmartRF Studio with CC2530, connect the CC2530EM to the SmartRF05EB. Next, connect the SmartRF05EB board to the PC via one of the USB cables included in the kit. If you have installed SmartRF Studio, select automatic installation of driver in the device wizard that appears. The device wizard will only pop up when you turn on the SmartRF05EB and only once for each board. Allow Windows to complete the driver installation before proceeding.

With the board connected to the PC, you can start SmartRF Studio. The following window should appear:



Figure 2 - CC2530 and SmartRF Studio

The connected evaluation board should be listed, showing that a CC2530 is available. The list is dynamically updated as you connect or disconnect a board. Double click on the highlighted CC2530 device icon and a new window will appear.

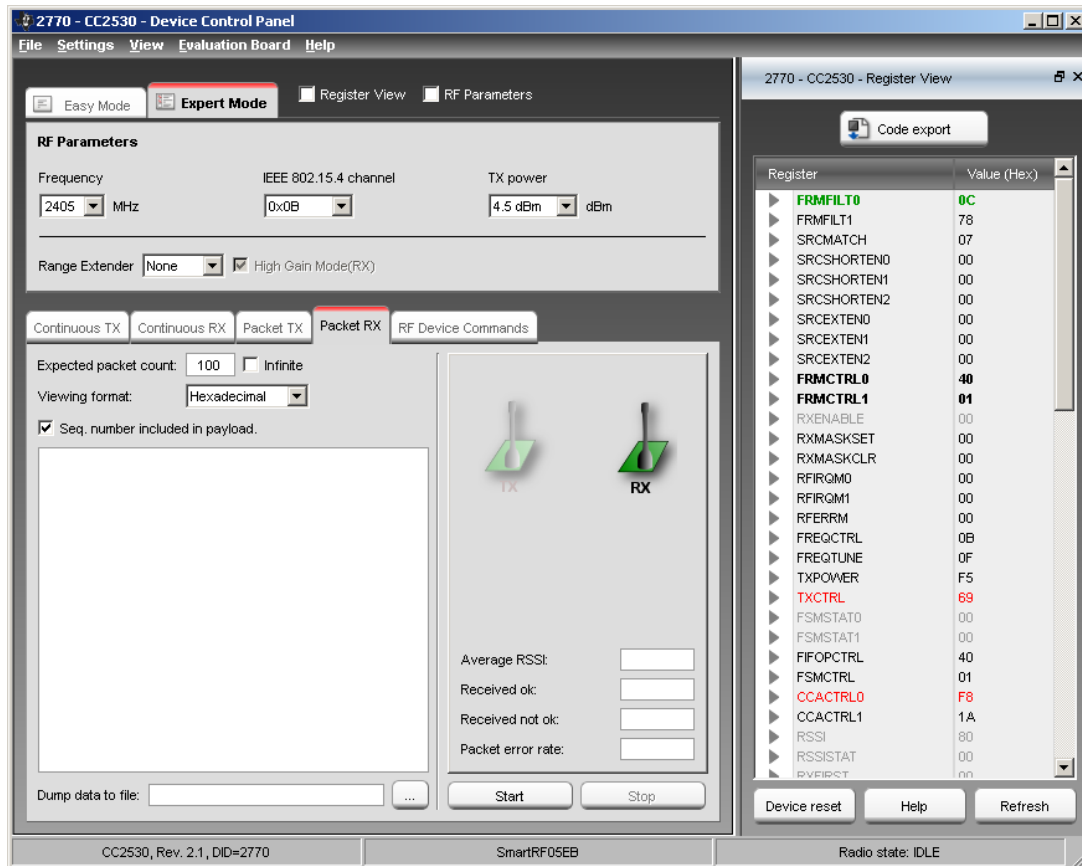


Figure 3 - CC2530 control panel in SmartRF Studio

Figure 3 shows the main control panel for the CC2530. It lets you perform a number of operations:

- Run TX Test modes for testing of RF output power and spectrum; e.g. by connecting a spectrum analyser or a power meter to the CC2530EM SMA connector to perform RF measurements.
- Run Packet TX and RX tests. For this test, you should have two EBs with CC2530EMs connected to the PC.
 - Double click on both of the devices in the device list in SmartRF Studio (Figure 2), opening one “Device Control Panel” for each device, giving control of the two radios at the same time.
 - Select one device to be the transmitter, by selecting the “Packet TX” tab shown in the lower middle of Figure 3.
 - On the other device (the receiver), select the “Packet RX” tab.
 - Set up basic test parameters and press the “Start” button on the receiver.
 - Now you can start transmission by pressing the “Start” button for the transmitter.
 - The status window will show the number of packets sent on the transmitter side and the number of received packets and signal strength of the last received packet on the receiver side.
- Read and/or modify registers and common settings, such as RF frequency (or channel) and output power.
- Export device register values in a user modifiable format by clicking the “Code export” button in the Register view panel (on the left side).

The SmartRF Studio User Manual has more details.

5.4 Setting up the Software Development Environment

To develop software and debug an application on the CC2530, it is recommended to use IAR Embedded Workbench. It supports debugging of CC2530 through the SmartRF05EB, so no additional hardware is required.

IAR EW8051 is bundled with all the required files for CC2530 to start development:

- Register definition header file
- Linker command file
- Driver and device description file needed for debugging and programming

Note that other compilers and linkers can be used, but these tools may have limited debugging capabilities.

An evaluation version of IAR Embedded Workbench is included in the Development Kit. To install the software, insert the CD and follow the instructions. You will be asked to register on IAR's web site to get a license key for the product. As the owner of a CC2530 Development Kit, you are entitled to a 60 day evaluation period. The evaluation version in the kit automatically gives you 30 days. Please contact your local IAR sales representative for the additional 30-days evaluation period. For a list of sales offices and distributors in your country, please see this site: <http://www.iar.com/contact>.

The CC2530 Software Examples User's Guide [5] will take you through the initial steps of starting up IAR, setting up the project and compile and debug the software. Full source code for the software examples can be downloaded from the CC2530DK web page [3].

Appendix A in this document will guide you through the steps of setting up your own project from scratch.

Appendix B gives a brief overview of complete software solutions for CC2530 from Texas Instruments.

6 RF Testing

NB! When running RF performance tests, it is recommended to disable all other peripherals on the SmartRF05EB in order to avoid unwanted noise on the on-board voltage. In particular, make sure the RS232 level converter/line driver is disabled.

RF testing can be performed by using SmartRF Studio together with the Development Kit. The basic set-up is described in section 5.3. As described in that chapter, SmartRF Studio can be used to set up basic tests and tune RF registers accordingly.

Since the CC2530 evaluation board is equipped with an SMA connector, both radiated (via antenna) and conducted (via cable) tests can be performed, and it is easy to hook the EM up to RF measurement equipment. The RF equipment may be connected in two different ways.

- To measure radiated performance, connect an appropriate antenna to the spectrum analyzer or power meter and an antenna on the EM board.
- To measure conducted performance, connect a 50 Ohm coax cable directly from the EM to the RF equipment.

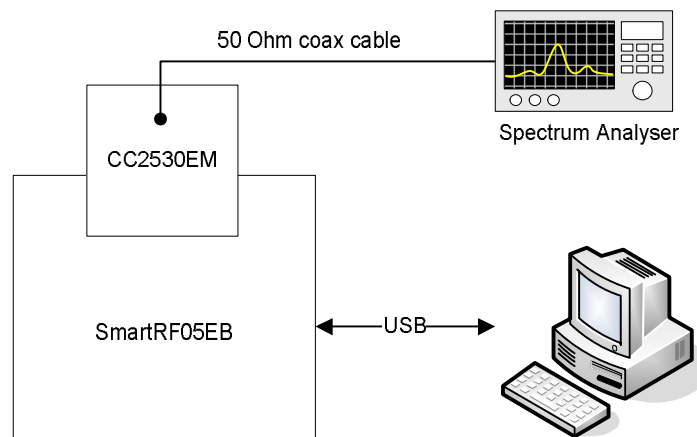


Figure 4 - RF Test Set-Up with a Spectrum analyzer

By using good-quality RF cabling, the loss in the cabling should be negligible. However make sure that the spectrum analyzer is calibrated. If possible, check it against a calibrated instrument such as an RF signal generator. Uncalibrated spectrum analyzers can display errors of several dBs.

6.1 TX Parameter Testing Basics

To investigate the TX performance of the CC2530, you can either use a Spectrum Analyzer or an RF Power Meter. Use the "Continuous TX" test mode in SmartRF Studio to set up the device to transmit a signal at the desired frequency. Both a modulated or unmodulated carrier signal can be generated.

Use the RF Power Meter to observe the output power or the spectrum analyzer to observe the spectrum and to measure the error vector magnitude (EVM).

6.2 RX Parameter Testing Basics

To investigate the RX performance of the CC2530, you can use a signal generator or “Packet TX” in SmartRF Studio (with another EB+EM) to generate the packets to receive. The receiver can be configured by using the “Packet RX” test feature in SmartRF Studio.

By adding a jammer (a third node that generates either noise on the same channel or a strong signal on an adjacent channel) it is also possible to measure co-channel rejection and selectivity/blocking performance.

The PER test application, that was described in section 5.2, can be used for simple sensitivity measurements with the CC2530EM and/or with your own prototype hardware. In this case, connect the unit you want to test to a known good transmitter with coaxial cables and attenuators. Add more attenuators until the PER value is 1%. The signal strength at the receiver side is then the sensitivity limit of the system.

For more information regarding sensitivity measurements, refer to “Design Note 2 – Practical Sensitivity Testing” [14].

7 CC2530EM

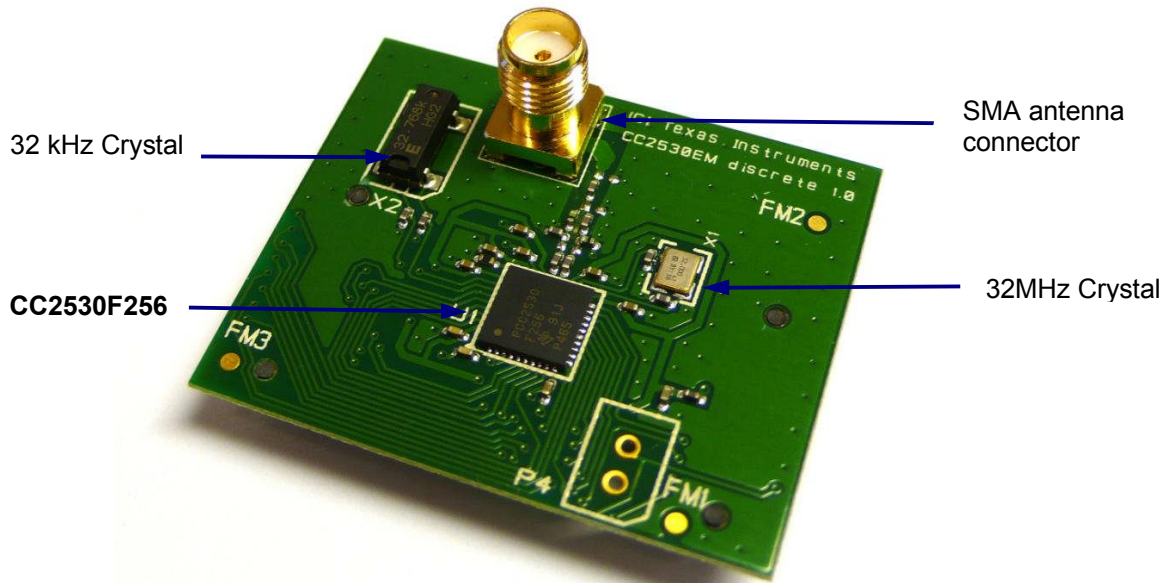


Figure 5 - CC2530 Evaluation Module

The CC2530EM is a complete RF module based on one of the recommended reference designs for the CC2530 radio. The module is equipped with a 32 MHz crystal, a 32.768 kHz crystal, external passive components for the balun and antenna match filter, an SMA connector for the antenna or any other RF instrument connection and general IO headers/connectors.

The table below shows the pin-out from the CC2530 to the two connectors on the backside of the evaluation module.

CC2530 Signal	P1	P1	CC2530 Signal
GND	1	2	NC
P0.4	3	4	P1.3
P0.1	5	6	P1.0
P0.2	7	8	NC
P0.3	9	10	P2.1
P0.0	11	12	P2.2
P1.1	13	14	P1.4
P0.6	15	16	P1.5
P0.7	17	18	P1.6
GND	19	20	P1.7

CC2530 Signal	P2	P2	CC2530 Signal
NC	1	2	NC
NC	3	4	NC
NC	5	6	NC
VDD	7	8	NC
VDD	9	10	NC
NC	11	12	NC
NC	13	14	NC
RESET	15	16	NC
P1.2	17	18	P0.5
P2.0	19	20	NC

Table 1 - CC2530EM pin-out

The part number of the EM connector is SFM-110-02-SM-D-A-K-TR from Samtec. It mates with the TFM-110-02-SM-D-A-K-TR, also from Samtec.

Please refer to the reference design on the web [1] for further details.

8 CC2531 USB Dongle

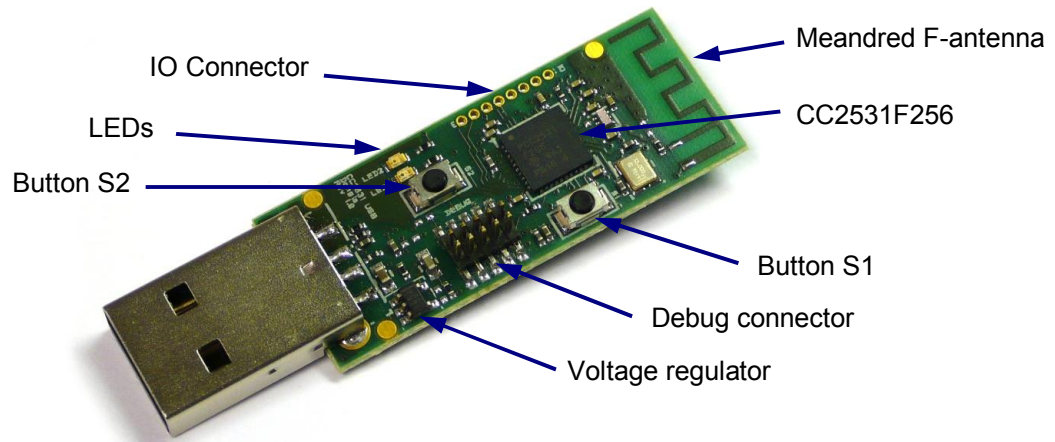


Figure 6 - CC2531 USB Dongle

The USB dongle that is included in the kit comes preprogrammed such that it can be used together with the SmartRF Packet Sniffer [10] to capture packets going over the air. To use the dongle as a sniffer, just install the Packet Sniffer PC application (available on the web [10]), plug in the USB dongle and start capturing packets. The Packet Sniffer User Manual [11] has more information.

The USB dongle can also be used as a general development board for USB and RF software. There is a USB firmware library available from the TI web pages with an implementation of a complete USB framework, including examples showing both HID and CDC ACM. There is a link to this library on the CC2530 DK web pages [3].

Table 2 shows which CC2531 signals are connected to what IO on the dongle.

IO Connector	CC2531
1	P0.2
2	P0.3
3	P0.4
4	P0.5
5	P1.7
6	P1.6
7	P1.5
8	P1.4

Dongle User IO	CC2531
Green LED	P0.0
Red LED	P1.1
Button S1	P1.2
Button S2	P1.3

Table 2 - CC2531 USB Dongle Pinout

In order to debug and program firmware on the CC2531, the CC2531 USB dongle can be connected to the SmartRF05EB as shown in the picture below. The small adapter board and flat cable is included in the development kit.

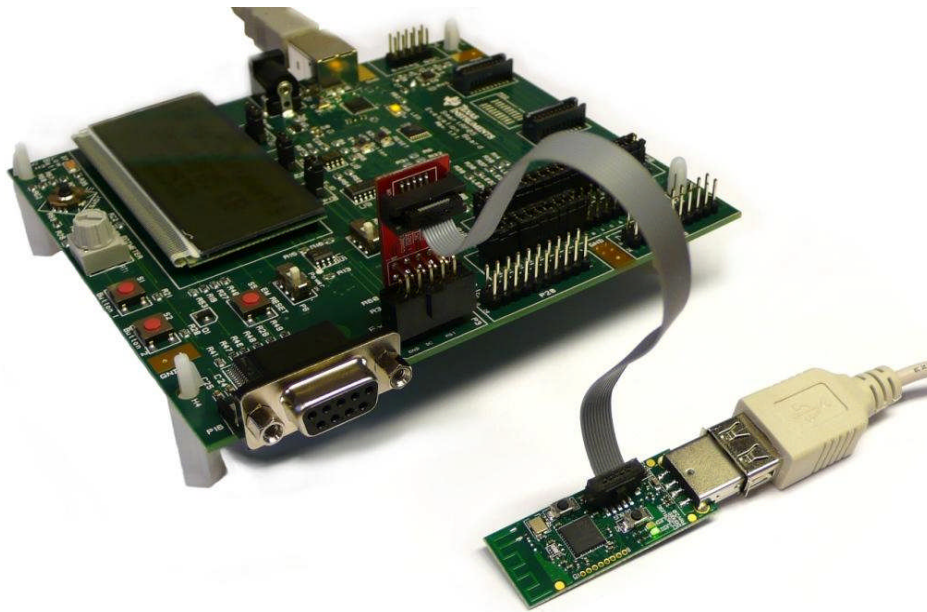


Figure 7 - CC2531 USB Dongle connected to SmartRF05EB

The debug connector on the CC2531 USB Dongle matches the debug connector on the SmartRF05EB (and the CC Debugger). Note that, by default, the CC2531 dongle is not powered through the debug connector, so an external power source must be used while programming. The easiest solution is to connect it to a USB port on the PC. Alternatively, resistor R2 can be mounted. The table below shows the pin out of the debug connector.

Pin #	Connection
1	GND
2	VCC
3	CC2531 P2.2 (DC)
4	CC2531 P2.1 (DD)
5	NC
6	NC
7	CC2531 RESET
8	NC
9	Optional external VCC (R2 must be mounted)
10	NC

Table 3 – CC2531 USB Dongle Debug Connector

Refer to the schematics (in the appendices) and layout (available on the web) for additional details.

9 SmartRF05 Evaluation Board

The SmartRF05 Evaluation Board is thoroughly described in the SmartRF05EB User's Guide [8]. That document will describe the hardware features in detail and provide the schematics for the board.

10 Frequently Asked Questions

Q1 When connecting the SmartRF05EB to my PC via USB, the dialog window below appears. Why? What should I do?



A1 The SmartRF05EB will be recognized as a USB device by the operating system, and it will ask the user to provide information about which USB driver that should be associated with the device.

If you have installed SmartRF Studio, just follow the instructions and select “Automatic installation”. Windows should find the required driver (cebal.sys), as specified in an .inf file. Both files (.inf and .sys) are included in the SmartRF Studio installation.

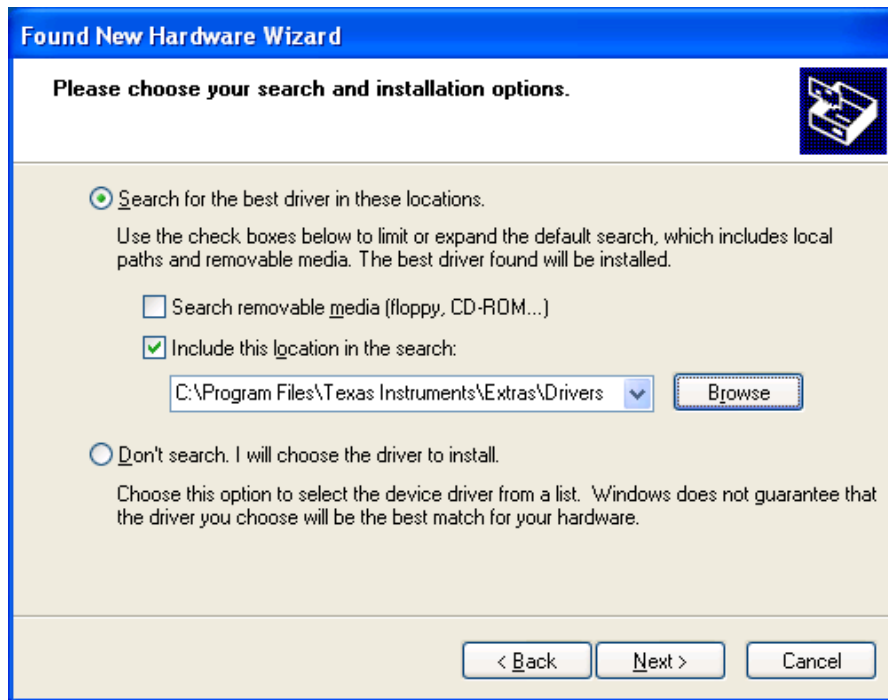
Q2 SmartRF05EB with the CC2530EM is not detected by IAR/SmartRF Studio. Why?

A2 First of all, note that Windows 7 64-bit and Windows Vista 64-bit are not yet supported.

It might be that the USB driver installation failed. The most common reasons are either Windows not finding the driver or the user ignoring the “Found New Hardware Wizard”.

First of all, make sure you have installed SmartRF Studio, which includes the appropriate drivers for the evaluation board. The drivers for the evaluation board are normally located in the directory C:\Program Files\Texas Instruments\Extras\Drivers, where C:\Program Files\Texas Instruments is the default root installation directory for SmartRF Studio. The path may be different if you have chosen a different installation directory for SmartRF Studio.

Next, make sure you follow the steps in the hardware wizard. It is necessary to follow the steps for driver installation for each new board that is connected to the PC. If the automatic driver installation (as described in A1 above) fails, please select manual installation of drivers. When prompted by the wizard, select “Install from a list or specific location (Advanced)”. You will see the following window.



If the above fails, select “Don’t search. I will choose the driver to install.” A new window will open, asking for a location of where drivers can be found. Locate the `srf05eb.inf` file and select that driver for installation.

Finally, verify that the device is associated with the correct driver by opening the Device Manager on your PC. When the EB is connected, the “Cebal controlled devices” list contains “SmartRF05EB”.



If the board is listed as an unknown device or associated with another driver, right click the device in the Device Manager and select Uninstall. After uninstalling, unplug the board from the PC and plug it in again. The “Found New Hardware Wizard” should re-appear. Follow the steps as outlined in the beginning of this section.

Q3 How do I measure the current consumption of the CC2530?

A3 The easiest way to measure current consumption of the chip in various modes is to connect the EM directly to the SmartRF05EB and disconnect everything on the board that consumes power by removing all jumpers. The jumper on header P13 should not be removed. Connect the ampere meter between the two terminals on P15. On P10, the jumper for the EM_RESET signal

(connector 35-36) should be mounted. On P1, no jumpers are required, but in order to control the SoC from a debugger, mount a jumper between 19-20 (DBG_DD) and 21-22 (DBG_DD). Make sure the RS232 Enable switch is in the “disable” position.

Use SmartRF Studio to set the radio in different modes (RX, TX, etc.), or download an application on the CC2530 setting the device in the preferred state.

Q4 Can I use another compiler than IAR to develop software for CC2530?

A4 Yes, there are several tools available that can be used for CC2530. Any 8051 compiler (e.g. Keil, GCC, and SDCC) can, in theory, be used. Note that these tools may have limited debugging support for CC2530.

11 References

- [1] CC2530 product web site
<http://focus.ti.com/docs/prod/folders/print/cc2530.html>
- [2] CC2531 product web site
<http://focus.ti.com/docs/prod/folders/print/cc2531.html>
- [3] CC2530DK web site
<http://focus.ti.com/docs/toolsw/folders/print/cc2530dk.html>
- [4] CC2530DK Quick Start Guide
<http://www.ti.com/lit/swra273>
- [5] CC2530 Software Examples User's Guide
<http://www.ti.com/lit/swru137>
- [6] Texas Instruments Support
<http://support.ti.com>
- [7] Texas Instruments Low Power RF Online Community
<http://www.ti.com/lprf-forum>
- [8] SmartRF05EB User's Guide
<http://www.ti.com/lit/swru210>
- [9] SmartRF Studio
<http://www.ti.com/smartrfstudio>
- [10] SmartRF Packet Sniffer
<http://focus.ti.com/docs/toolsw/folders/print/packet-sniffer.html>
- [11] SmartRF Packet Sniffer User Manual
<http://www.ti.com/lit/swru187>
- [12] TIMAC
<http://www.ti.com/timac>
- [13] Z-Stack
<http://www.ti.com/z-stack>
- [14] DN002 -- Practical Sensitivity Testing
<http://www.ti.com/lit/swra097>
- [15] DN018 -- Range Measurements in an Open Field Environment
<http://www.ti.com/lit/swra169>
- [16] IAR Embedded Workbench for 8051
<http://www.iar.com>

12 Document history

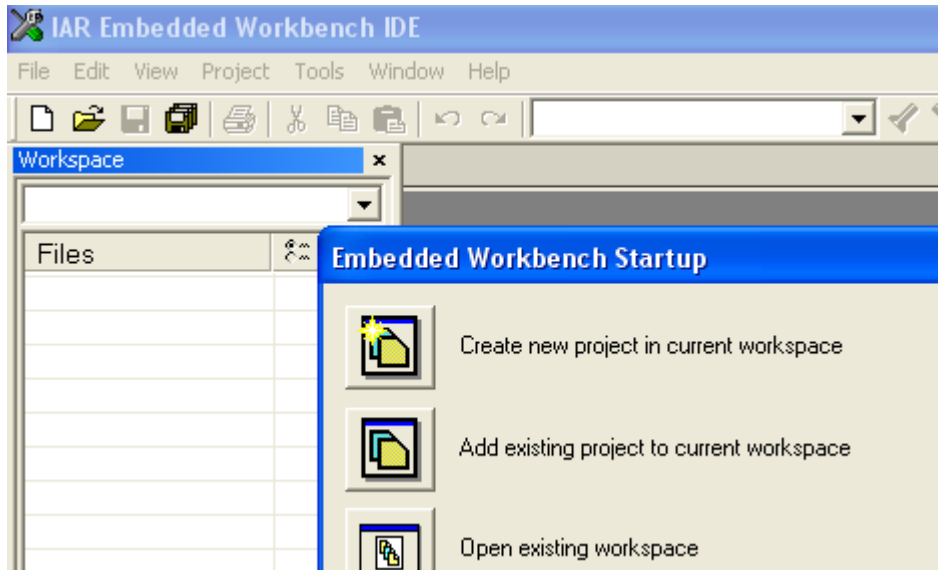
Revision	Date	Description/Changes
B	2010-04-23	Updated schematics. Use screenshots from SmartRF Studio 7. Added more details about driver installation in the FAQ section. New recommended register mask for the code bank configuration (appendix section A4).
A	2009-04-20	Editorial update.
-	2009-04-08	First revision.

Appendix A Setting up the Software Environment

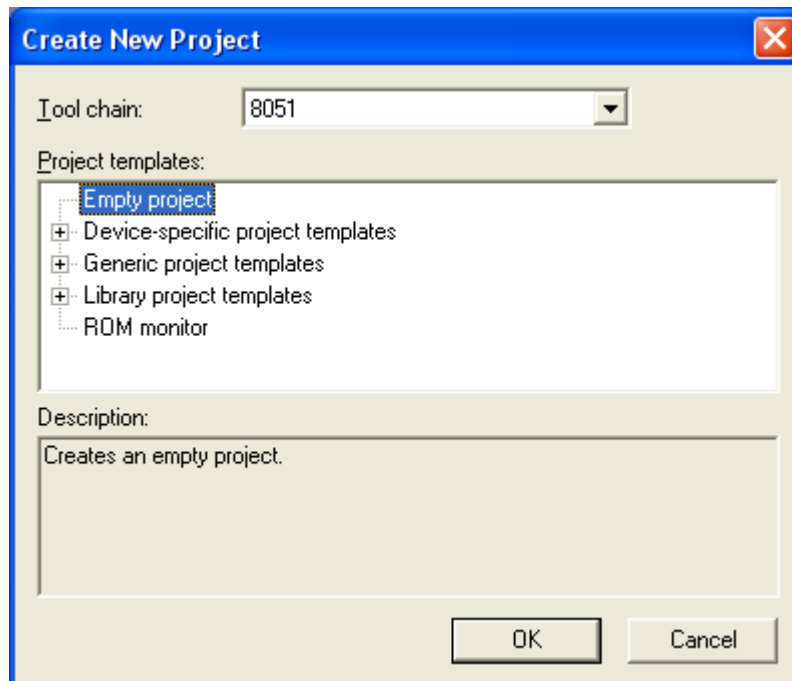
This appendix will guide you through the initial steps of setting up a complete software development environment with IAR Embedded Workbench for 8051. Version 7.51 (and newer) of the tool supports CC2530 and CC2531 out-of-the-box.

A.1 Create the project

After installing IAR EW8051, start the application. The dialog window below should appear:



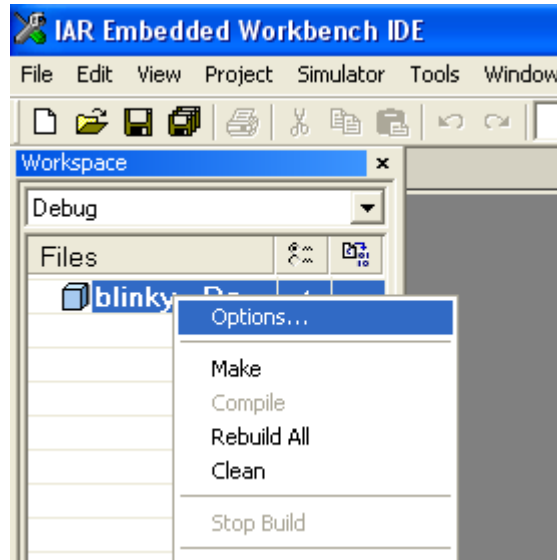
Select "Create new project in current workspace"



Select Empty project and click OK. You will now be asked to save the project. Select an appropriate name for the project and save it. The dialog window will close and the project will be listed in the "workspace" panel at the left side of the IDE.

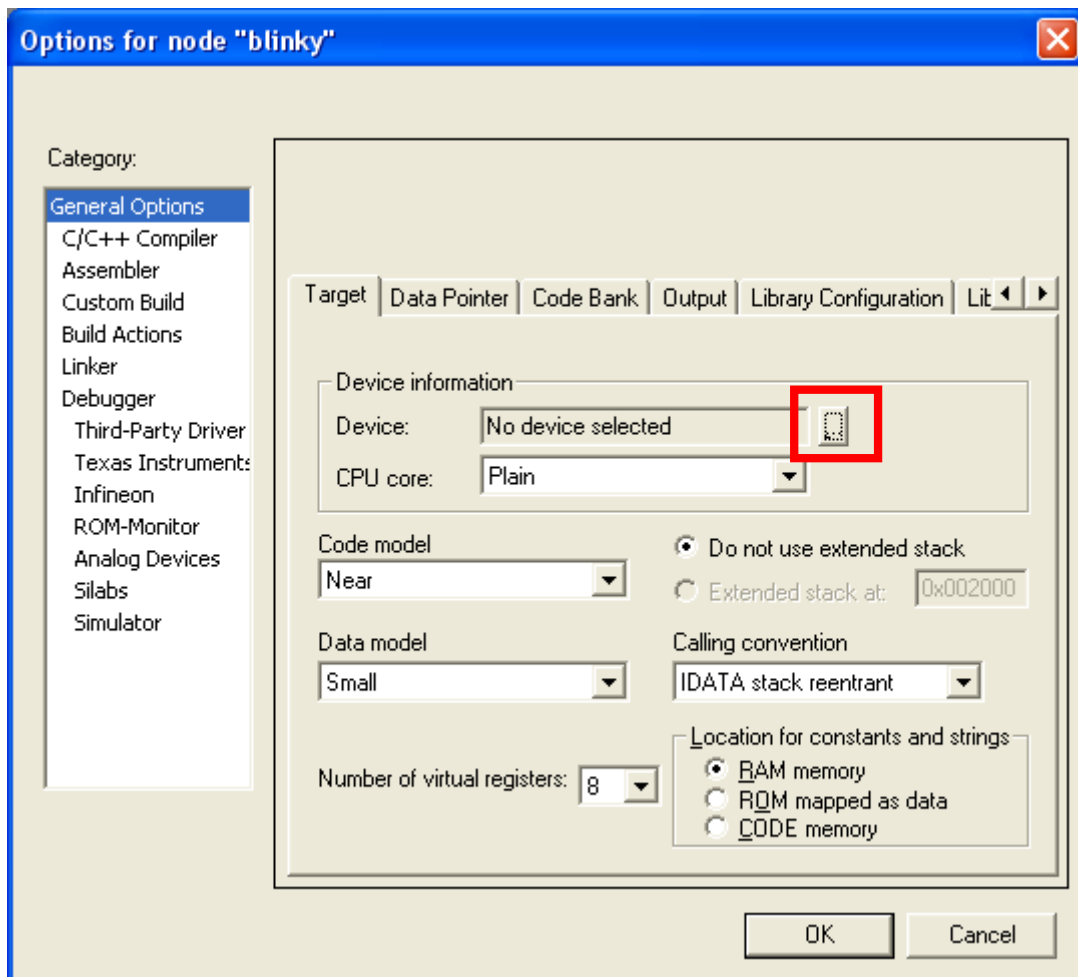
A.2 Project Options

Right click the project to set up the project options.

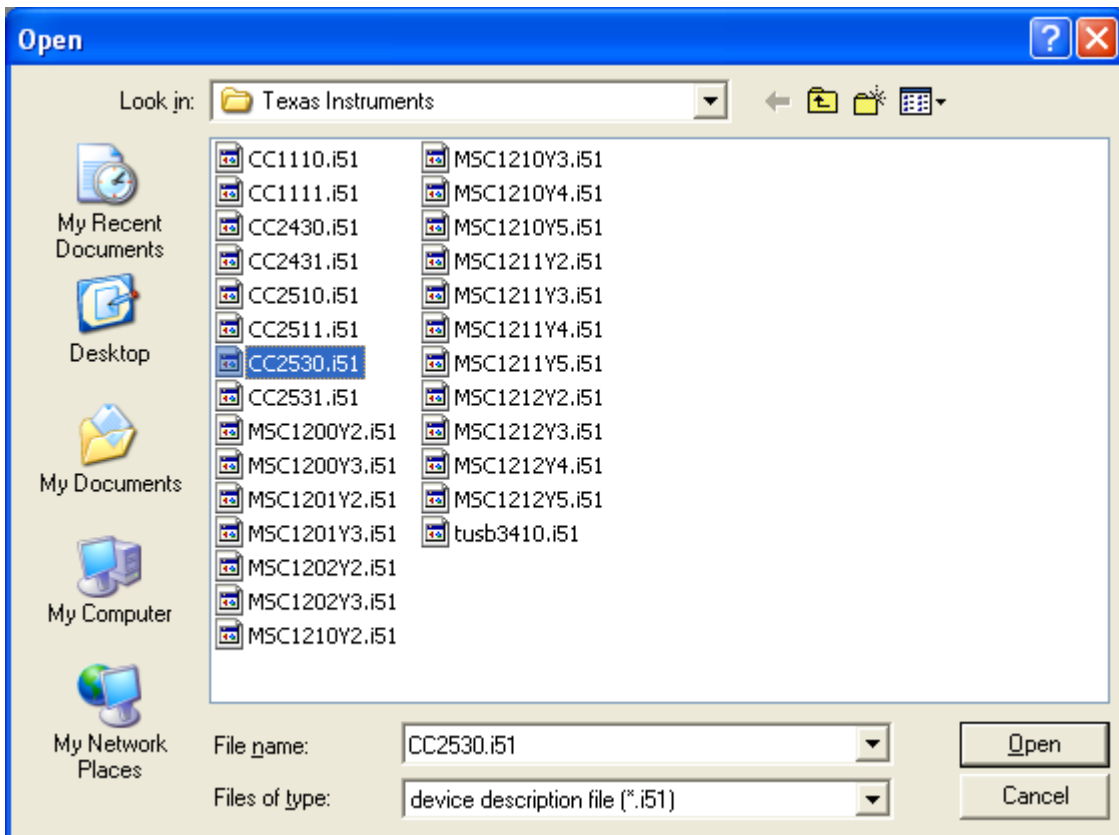


A.3 Select Device

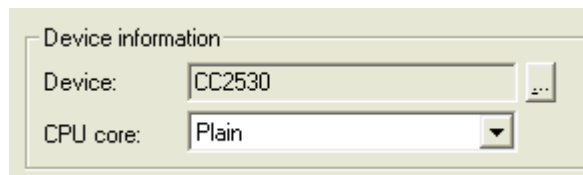
In the dialog window that appears, the first thing that is required is to select the device for which the project is built. Click on the button next to the device field.



A new window will appear that allows you to browse through the device configuration files to choose an appropriate device. Select the CC2530.i51 file from the <ew8051_install_dir>\8051\devices\Texas Instruments folder. This .i51 device description file contains basic information about the chip.



Back in the General Options view, you will see that CC2530 is now the selected device. “CPU core” should be set to Plain.



A.4 Select Code and Memory Model

Next, select code model. Either “Near” or “Banked” can be chosen.

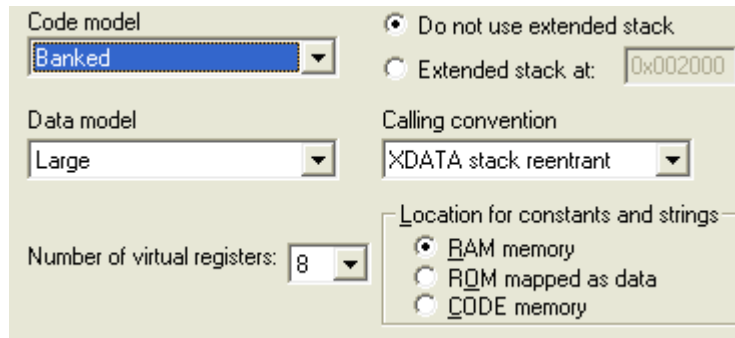
“Near” can be used when you don’t need banking support, i.e. when you only need access to 64 kilobytes of the flash memory. This option is suitable for the CC253xF32 and CC253xF64 devices. It is also possible to use this option for the other devices (F128 and F256) when only 64 kB flash is required.

“Banked” should be used for getting access to the whole flash for the CC253xF128 and CC253xF256 devices.

The default data model for the Near code model is Small. For Banked, it is Large. The data model determines how the compiler & linker use the memory of the 8051 for storage of variables. With the small data model, variables are typically stored in the DATA memory space. For the large data model, variables are stored in XDATA. The CC2530 User Guide and IAR 8051 C/C++ Compiler Reference Guide have more information about the various memory spaces. The important thing to remember is

that the 8051 core uses different instructions to access the various memory spaces. Access to IDATA is, in general, much quicker than accessing XDATA, but there is normally much more XDATA available than IDATA.

For this example, we use banked code model and large memory model to support the CC2530F256 device included in the development kit. The stack can be placed in XDATA. After setting up the above option, you should have the following settings:



Code model: **Banked**

Data model: **Large**

Number of virtual registers: **8**

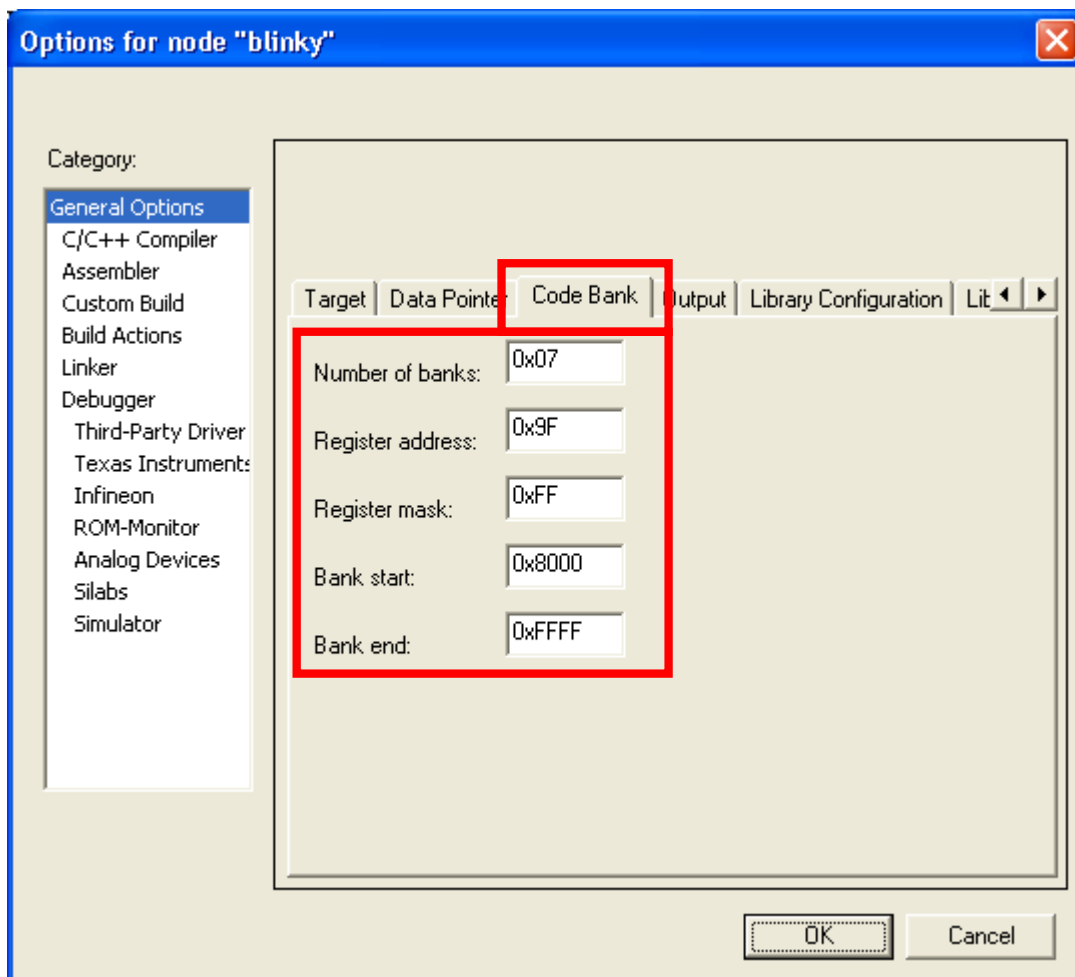
Do not use extended stack (selected)

Extended stack at: **0x002000**

Calling convention: **XDATA stack reentrant**

Location for constants and strings: **RAM memory**

For the Banked code model, some additional settings are required. Select the Code Bank tab in the options window and set up the following parameters:



Options for node "blinky"

Category: **General Options**

Code Bank

Number of banks: **0x07**

Register address: **0x9F**

Register mask: **0xFF**

Bank start: **0x8000**

Bank end: **0xFFFF**

OK Cancel

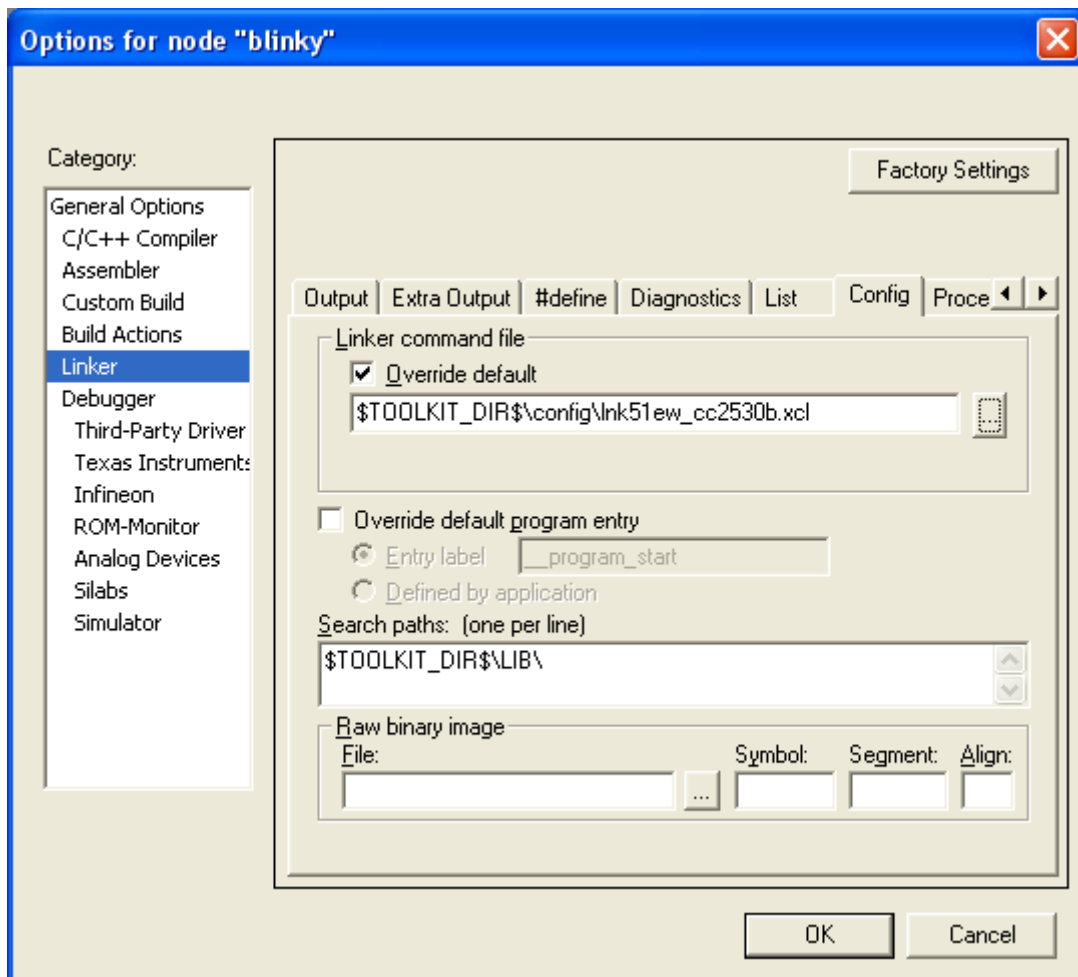
In addition to the common (root) bank, the CC2530 uses 7 code banks in order to access the whole 256 kB of Flash. The number of banks should be set to 0x07 for both F128 and F256. Register address 0x9F is the CC2530 FMAP register, which controls which code bank is currently mapped into the 8051 address space. The 3 least significant bits in the FMAP register are used to specify the bank number. However, since the other bits in this register are not used, it is recommended to set the

register mask to 0xFF (instead of 0x07), which will allow IAR to use some bank switch macros with less overhead.

A.5 Configure the Linker

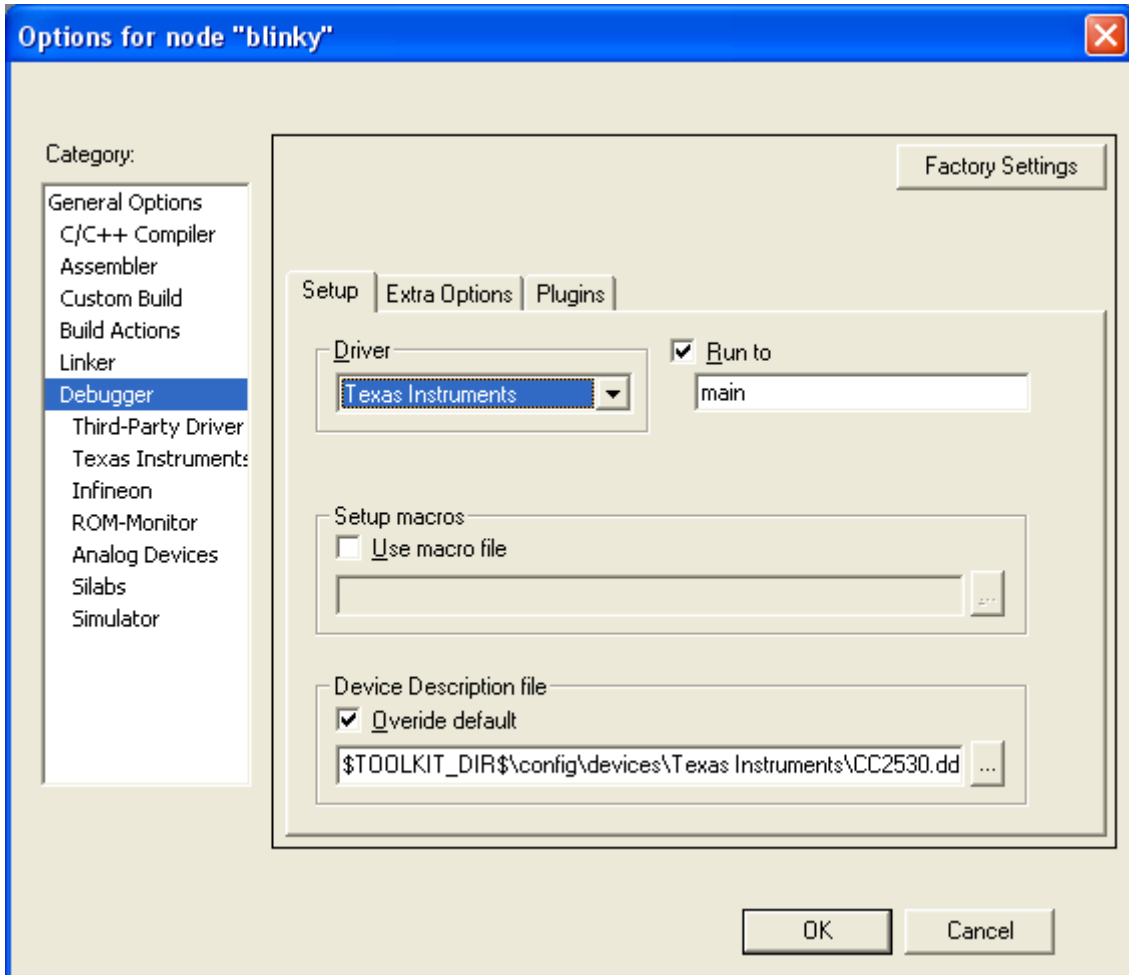
Next, you will need to instruct the IDE what linker command file to use. The linker command file contains information the linker uses in order to place code and variables in ram and flash. Thus, the linker file must match the flash and ram size of device you are working with. Normally, the linker file should be tailor-made to an application for optimum performance, but the default command file will work with most applications.

In the left menu, select "Linker". Tick the "Override default" in the "Linker command file" section and select the appropriate linker file. For this example, we will use `lnk51ew_cc2530b.xcl`, which is suitable for CC253xF128 and CC253xF256. The **b** indicates banked code model. The other file, `lnk51ew_cc2530.xcl`, is suitable for CC253xF32 and CC253xF64, or the larger flash variants if banking is not required.



A.6 Configure the Debugger

Finally, in the debugger section, chose “Texas Instruments” for the Driver.



All the other project options can be left as is and you can close the Project Options dialog by clicking OK.

A.7 Write Software

At this point, the project is configured and you can write your first lines of code. We will show a small blinking LED example.

In the project, create a new file that you save as blinky.c. Type the following code:

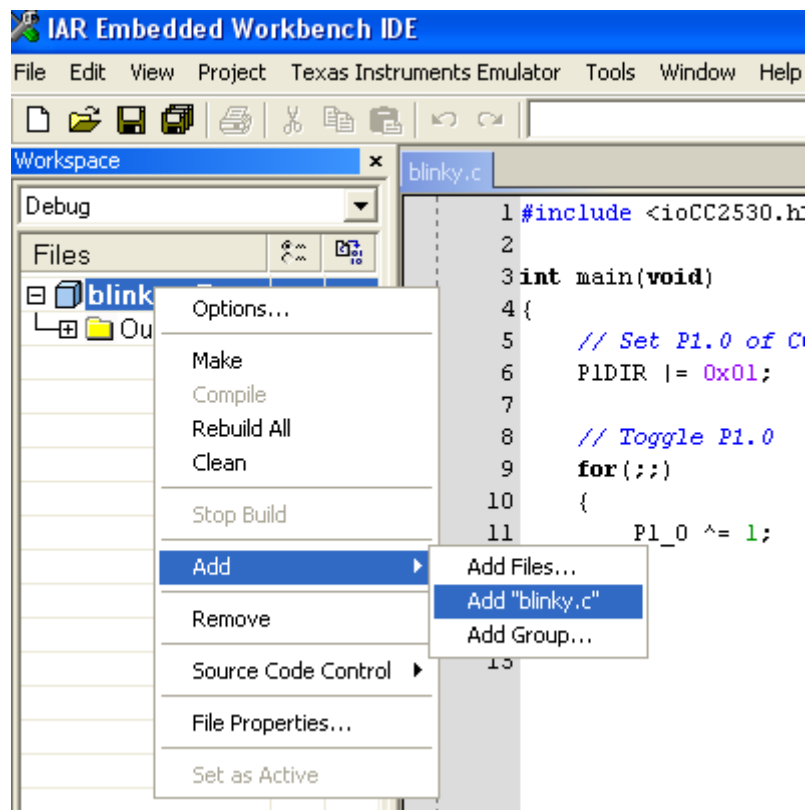
```
#include <ioCC2530.h>

int main(void)
{
    // Set P1.0 of CC2530 as output
    P1DIR |= 0x01;

    // Toggle P1.0
    for(;;)
    {
        P1_0 ^= 1;
    }
}
```

The code will toggle P1.0 (very quickly).

Add the file to the project by right clicking the project and selecting Add "blinky.c".

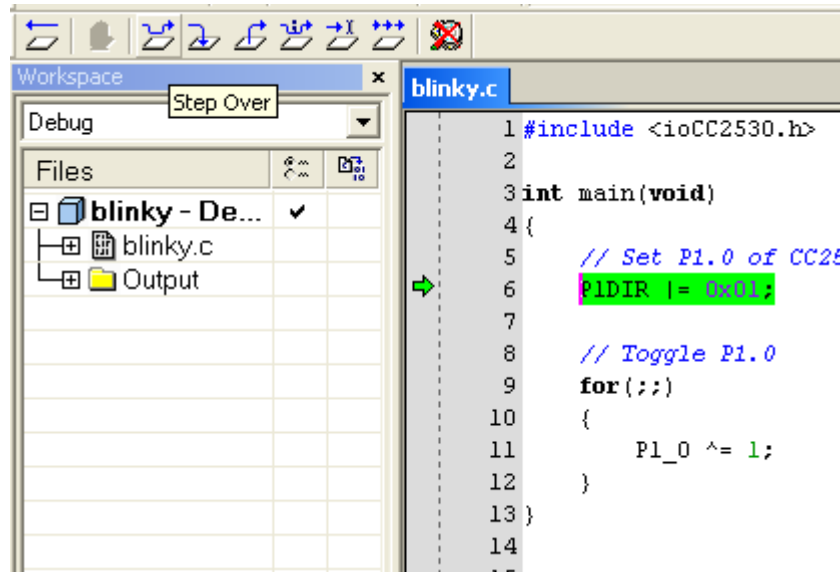


You are now ready to compile and download the code to the target!

A.8 Compile and Debug

Select “Project → Make” from the menu (or press F7) to build the project. The IDE will now compile, assemble and link the files in the project to generate an executable that can be downloaded to the target. A message window at the bottom of the screen should show the progress and indicate that the project was built successfully.

Next, download the application to the target by selecting “Project → Debug” from the menu (or press Ctrl+D). The application will now be downloaded to the target and you can start stepping through the code from main.



A.9 Done!

Congratulations! You have just made your first CC2530 software project in IAR.

Appendix B Software Solutions for CC2530 from TI

B.1 SimpliciTI™ Network Protocol

The SimpliciTI network protocol is a low-power RF protocol (for sub-1 GHz, 2.4 GHz and IEEE 802.15.4 RF ICs) targeting simple, small RF networks. This open-source software is an excellent start for building a network with battery-operated devices using a TI low-power RF System-on-Chip (SoC). The SimpliciTI network protocol was designed for easy implementation and deployment out-of-the-box on several TI RF platforms. It provides several sample applications.

Key Applications

- Alarm and security: occupancy sensors, light sensors, carbon monoxide sensors, glass-breakage detectors
- Smoke detectors
- Automatic meter reading: gas meters, water meters, e-meters
- Active RFID applications

Key Features

- Low power: A TI-proprietary low-power network protocol
- Flexible:
 - Direct device-to-device communication
 - Simple star with access point for store and forward to end device
 - Range extenders to increase range to four hops
- Simple: uses a five-command API
- Low duty cycle
- Ease of use

SimpliciTI is distributed as source code free of charge. For more information about the SimpliciTI network protocol, see the Texas Instruments SimpliciTI network protocol web site www.ti.com/simpliciti.

B.2 TIMAC Software

TIMAC software is an IEEE 802.15.4 medium-access-control software stack for TI's IEEE 802.15.4 transceivers and System-on-Chips.

You can use TIMAC when you:

- Need a wireless point-to-point or point-to-multipoint solution; e.g. multiple sensors reporting directly to a master
- Need a standardized wireless protocol
- Have battery-powered and/or mains-powered nodes
- Need support for acknowledgement and retransmission
- Have low data-rate requirements (around 100-kbps effective data rate)

Features

- Support for IEEE 802.15.4 standard
- Support for beacon-enabled and non-beaconing systems
- Multiple platforms
- Easy application development

The TIMAC software stack is certified to be compliant with the IEEE 802.15.4 standard. TIMAC software is distributed as object code free of charge. There are no royalties for using TIMAC software.

For more information about TIMAC software, see the Texas Instruments TIMAC Web site www.ti.com/timac.

B.3 RemoTI™ Network Protocol

Most existing remote controls use infrared technology to communicate commands to consumer electronics devices. However, radio frequency (RF) remote controls enable non-line-of-sight operation and provide more advanced features based on bidirectional RF communication.

ZigBee Radio Frequency for Consumer Electronics (RF4CE) is the result of a recent agreement between the ZigBee Alliance and the RF4CE Consortium (<http://www.zigbee.org/rf4ce>) and has been designed to be deployed in a wide range of remotely-controlled audio/visual consumer electronics products, such as TVs and set-top boxes. ZigBee RF4CE key benefits:

- Richer communication and increased reliability
- Enhanced features and flexibility
- Interoperability
- No line-of-sight barrier

The RemoTI network protocol is Texas Instruments' implementation of the ZigBee RF4CE standard. It is a complete solution offering hardware and software support for TI's low-power RF product portfolio. With the RemoTI network protocol we provide:

- An industry leading RF4CE-compliant stack featuring the interoperable CERC profile support, a simple API, easy to understand sample application code, full development kits and reference designs, and much more.
- Operation on our best-in-class IEEE 802.15.4 compliant System-on-Chip, the CC2530, with excellent RF co-existence and RF performance. The four flexible power modes include the lowest current consumption power down mode for long battery in life low duty-cycle applications.
- Extensive worldwide support and tools to ensure that development of ZigBee RF4CE-based products is simple, fast, and can be completed at minimal cost.
- A Golden Unit platform; RemoTI it is used for testing other implementations of the ZigBee RF4CE standard for standard compliance.

For more information on TI's RemoTI network protocol, see the Texas Instruments RemoTI network protocol web site www.ti.com/remoti or contact lprf-rf4ce@ti.com.

B.4 Z-Stack™ Software

The Z-Stack software is TI's ZigBee-compliant protocol stack for a growing portfolio of IEEE 802.15.4 products and platforms. The Z-Stack software stack is compliant with both ZigBee-2006 and ZigBee-2007 specification, supporting both the ZigBee and ZigBee PRO features sets. The Z-Stack software includes implementation of two ZigBee application profiles – Smart Energy and Home Automation. Other application profiles can easily be implemented by the user.

Z-Stack software notables include:

- A fully compliant ZigBee and ZigBee PRO feature set
- A range of sample applications including support for the ZigBee Smart Energy and ZigBee Home Automation profiles
- Over-the-air download and serial boot loader support
- Can be used together with the RF front ends CC2590 and CC2591, which support 10 dBm and 20 dBm output power respectively and improved receive sensitivity.

The Z-Stack software has been awarded the ZigBee Alliance's golden-unit status for both the ZigBee and ZigBee PRO stack profiles and is used by ZigBee developers world wide.

Z-Stack software is well suited for:

- Smart energy (AMI)
- Home automation
- Commercial building automation
- Medical, assisted living, or personal health and hospital care
- Monitoring and control applications
- Wireless sensor networks
- Alarm and security
- Asset tracking
- Applications that require interoperability

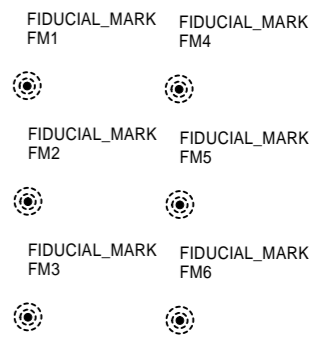
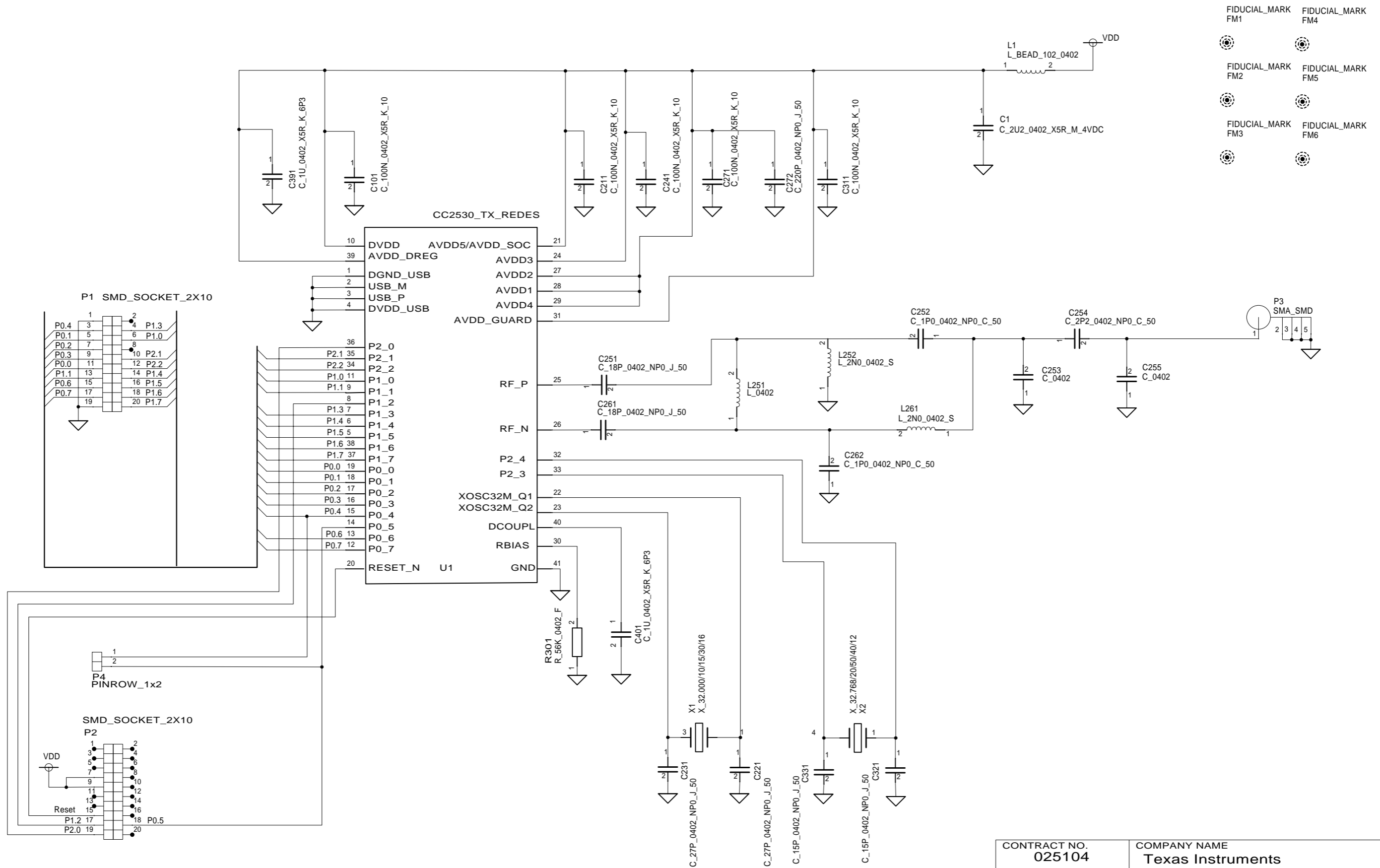
For more information about Z-Stack software, see the Texas Instruments Z-Stack software web site www.ti.com/z-stack.

Appendix C Schematics

Please refer to the following pages for the schematics for

- CC2530 Evaluation Module
- CC2531 USB Dongle
- SmartRF05 Evaluation Board

The layout for the evaluation module and USB dongle can be found on the CC2530 [1] and CC2531 [2] web pages respectively.



CONTRACT NO. 025104		COMPANY NAME Texas Instruments			
APPROVALS	DATE	DWG CC2530EM Discrete			
DRAWN	TIK	SIZE	FSCM NO.	DWG NO.	REV.
CHECKED	NN	A4			1.3.1
ISSUED		SCALE			SHEET 1 (1)

VOLTAGE REGULATOR

Generated voltage:
3.3 V for CC2531

SoC peripherals

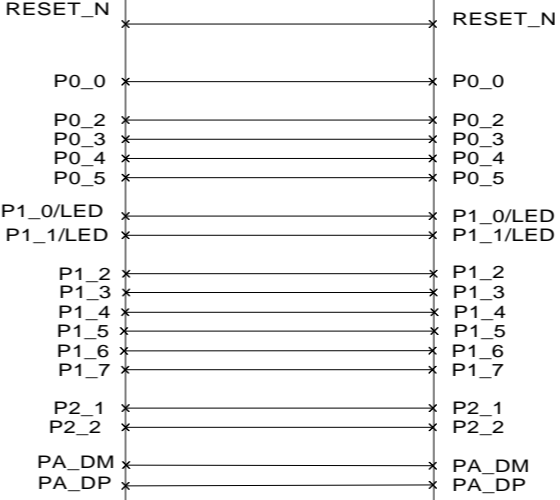
- USB Connector
- Buttons
- LEDs
- SMD sockets

RESET_N
P0_0
P0_2
P0_3
P0_4
P0_5
P1_0/LED
P1_1/LED
P1_2
P1_3
P1_4
P1_5
P1_6
P1_7
P2_1
P2_2
PA_DM
PA_DP

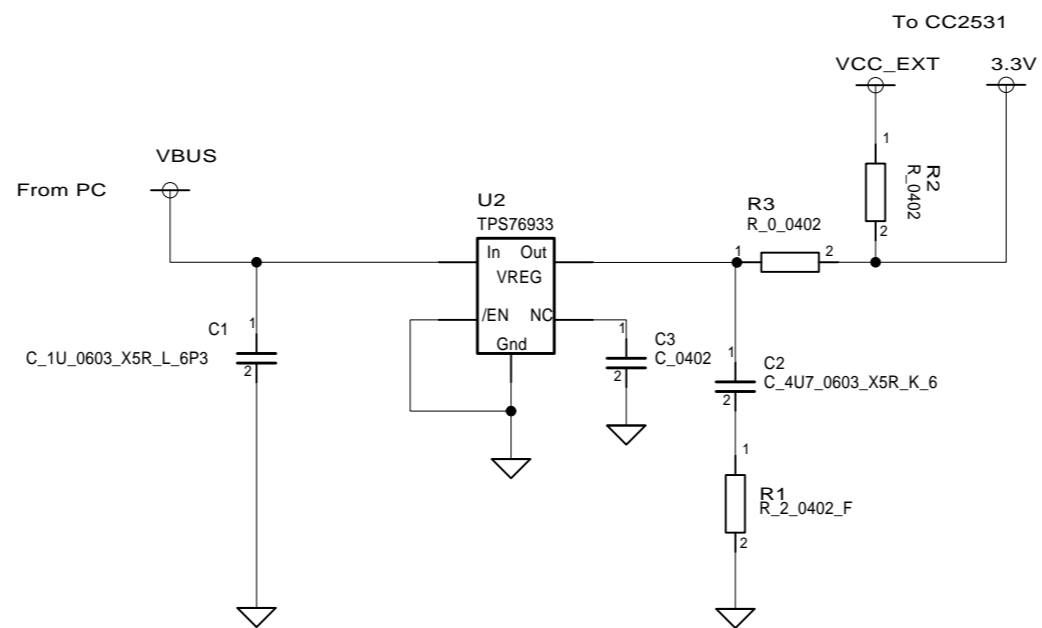
RF-SoC PART

Including PCB antenna

RESET_N
P0_0
P0_2
P0_3
P0_4
P0_5
P1_0/LED
P1_1/LED
P1_2
P1_3
P1_4
P1_5
P1_6
P1_7
P2_1
P2_2
PA_DM
PA_DP

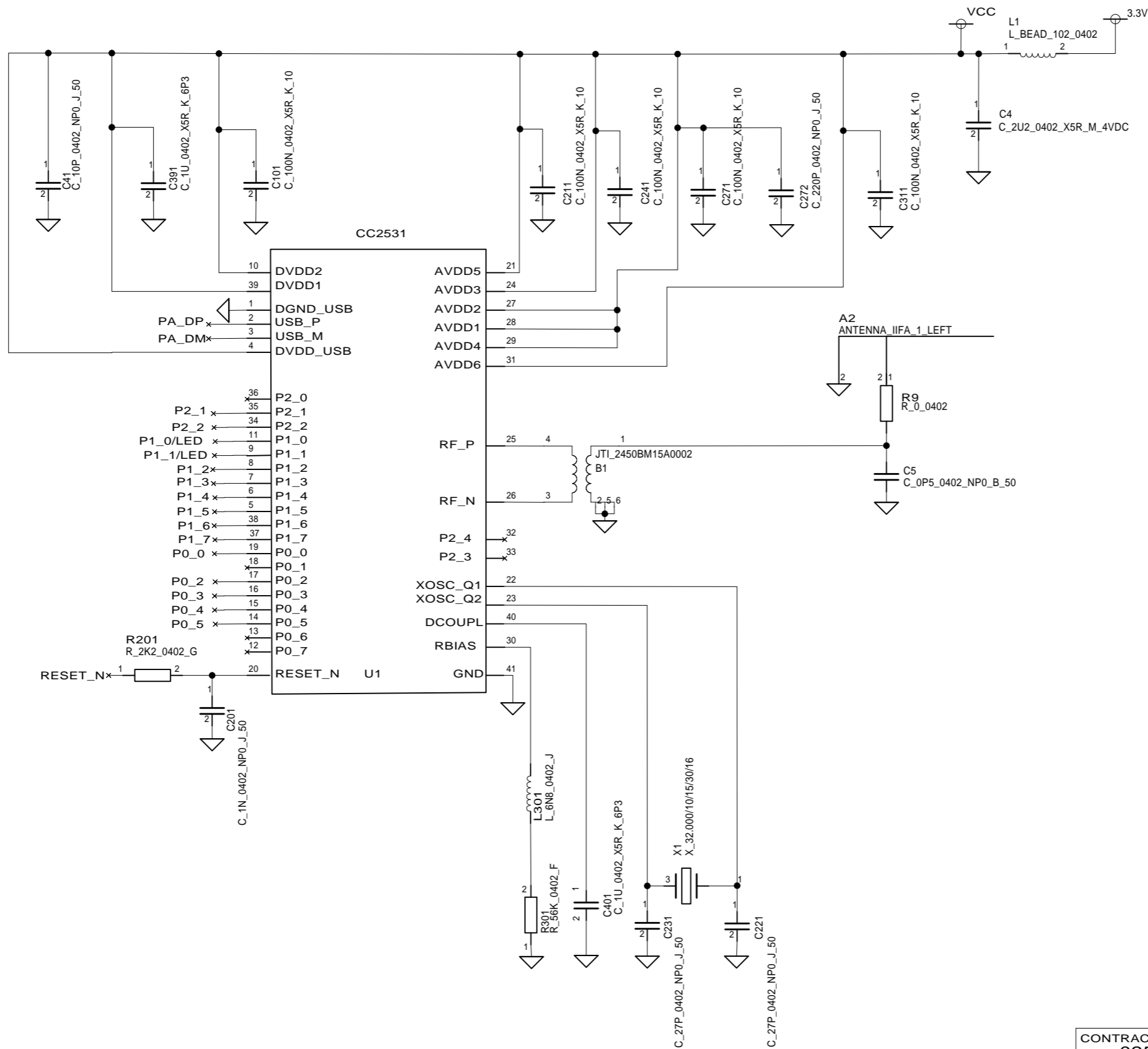


CONTRACT NO. 025104		COMPANY NAME Texas Instruments			
APPROVALS	DATE	DWG CC2531 USB dongle			
DRAWN	TIK	SIZE	FSCM NO.	DWG NO.	REV.
CHECKED	MAP	A4			2.4
ISSUED		SCALE		SHEET 1(4)	



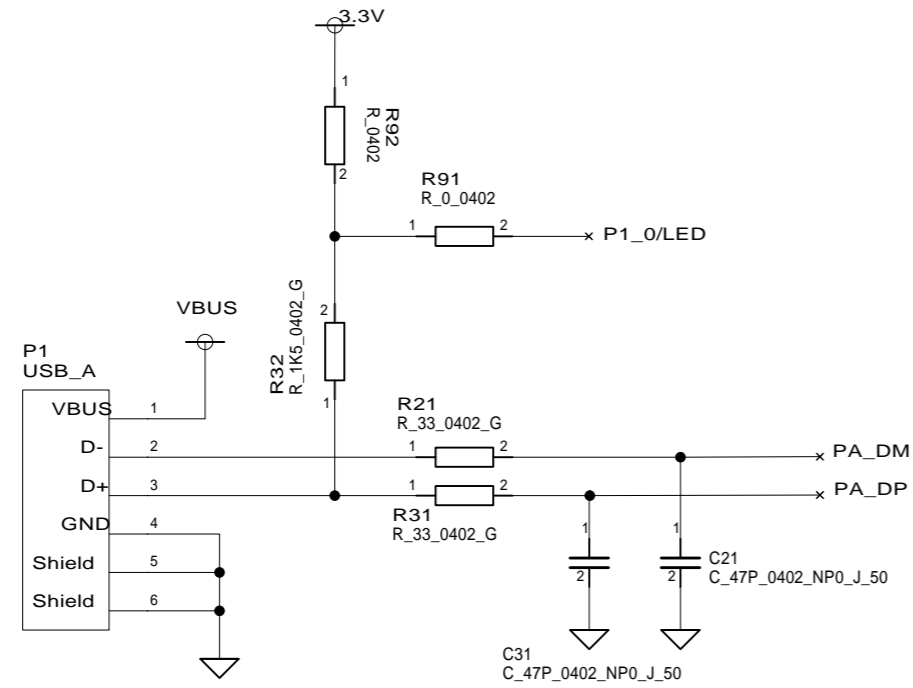
Not mount: C3, R2

CONTRACT NO. 025104		COMPANY NAME Texas Instruments			
APPROVALS	DATE	DWG CC2531 USB DONGLE VOLTAGE REGULATOR			
DRAWN	TIK	SIZE	FSCM NO.	DWG NO.	REV.
CHECKED	MAP	A4			2.4
ISSUED		SCALE		SHEET 2(4)	

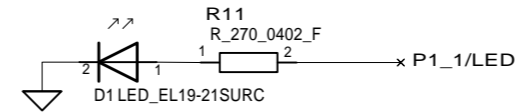


CONTRACT NO. 025104		COMPANY NAME Texas Instruments			
APPROVALS	DATE	DWG CC2531 USB DONGLE RF-PART			
DRAWN	TIK	SIZE	FSCM NO.	DWG NO.	REV.
CHECKED	MAP	A4			2.4
ISSUED		SCALE			SHEET 3(4)

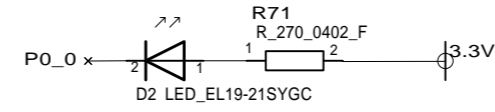
USB Interface



LED_Red



LED_Green



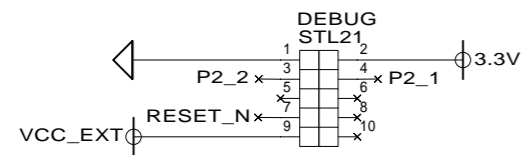
button_P_1_2



button_P_1_3



SoC debug/flash

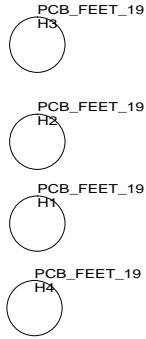


Additional testpins

- IO
BL_31_008U_NO_SILK
- >8 — x P1_4
 - >7 — x P1_5
 - >6 — x P1_6
 - >5 — x P1_7
 - >4 — x P0_5
 - >3 — x P0_4
 - >2 — x P0_3
 - >1 — x P0_2

Not mount: R92, IO

CONTRACT NO. 025104		COMPANY NAME Texas Instruments			
APPROVALS	DATE	DWG CC2531 USB dongle USB circuitry			
DRAWN	TIK	SIZE	FSCM NO.	DWG NO.	REV. 2.4
CHECKED	MAP	A4			
ISSUED		SCALE			SHEET 4(4)



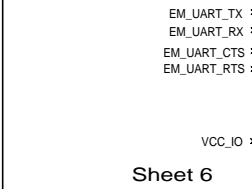
USB MCU IO jumpers

Default setting:

- 1-2: open
- 3-4: open
- 5-6: mount
- 7-8: mount
- 9-10: open
- 11-12: open
- 13-14: open
- 15-16: open
- 17-18: mount
- 19-20: mount
- 21-22: mount
- 23-24: mount
- 25-26: mount
- 27-28: mount
- 29-30: mount
- 31-32: mount
- 33-34: mount
- 35-36: mount

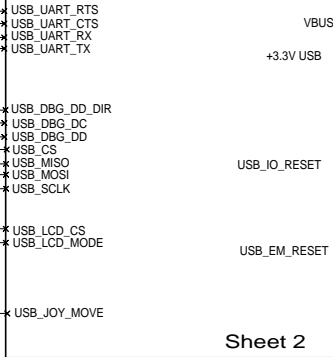
RS-232

- RS232 driver
- RS232 port
- On/Off jumper



USB Interface

- CC2511
- CC2511 debug
- USB port



Power Supply

- Regulators
- Power jumpers
- Battery

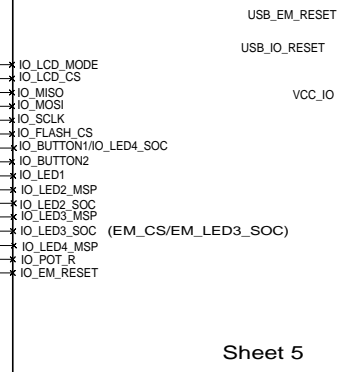


Joystick

- Joystick

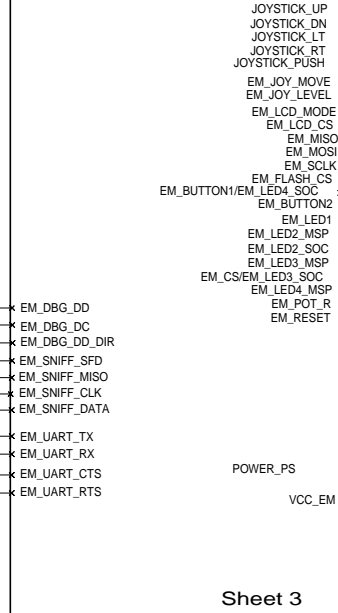
User Interface

- LCD
- Flash
- Potmeter
- Buttons
- LEDs

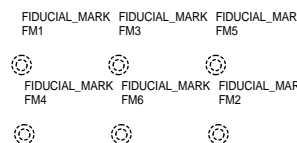
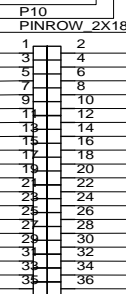


EM Interface

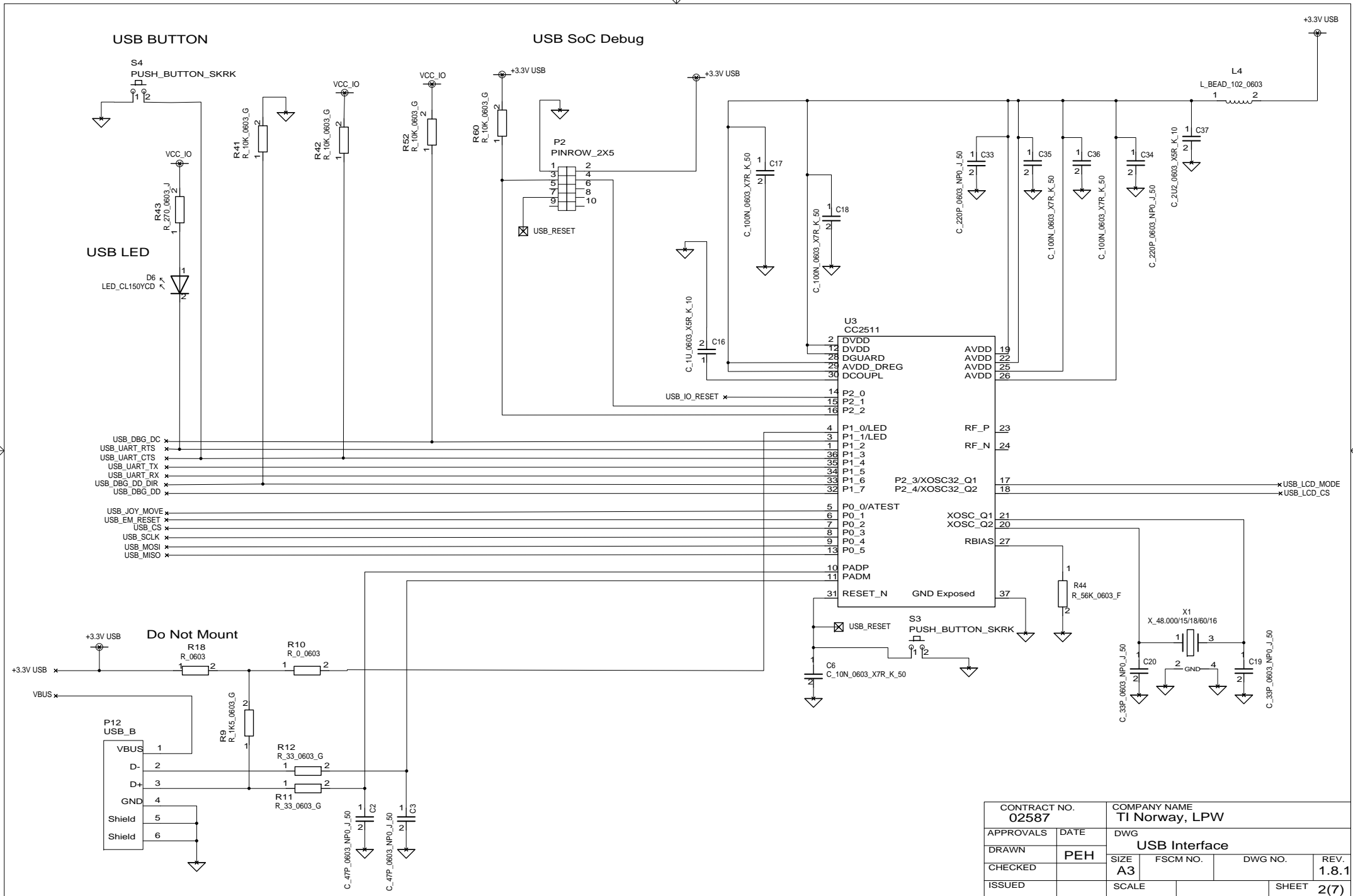
- EM connection
- External SoC debug



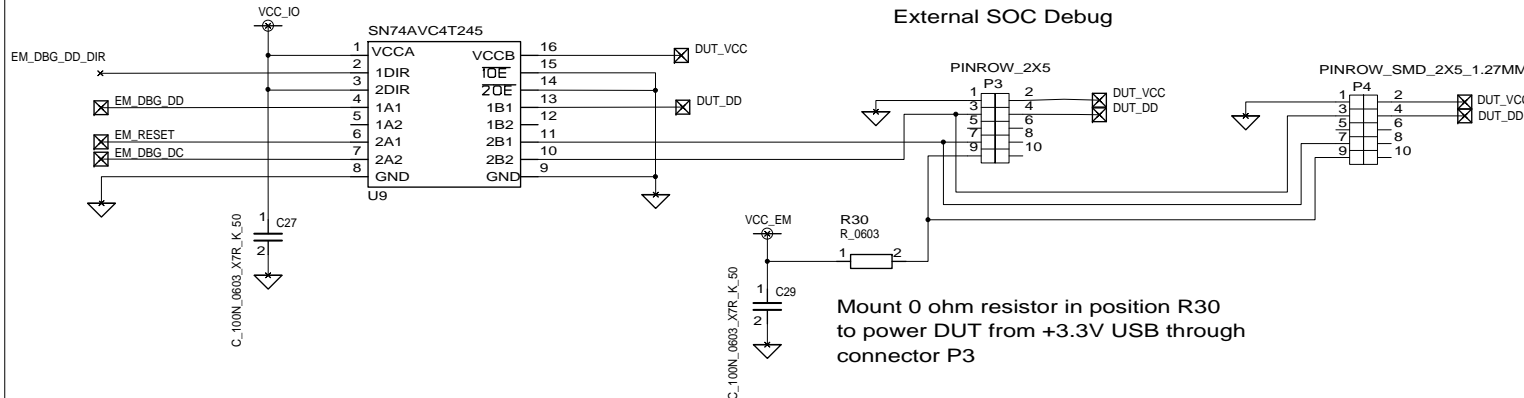
IO peripherals jumpers
All mount as default



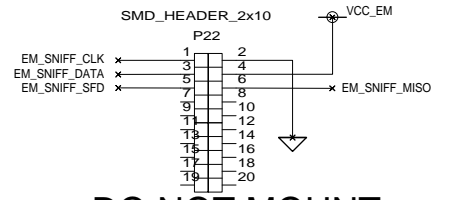
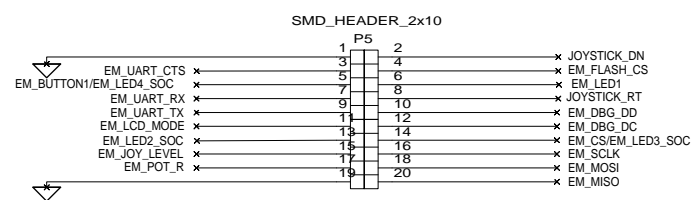
CONTRACT NO. 02587		COMPANY NAME TI Norway, LPW		
APPROVALS	DATE	DWG SmartRF05EB Top Level		
DRAWN	PEH	SIZE A3	FSCM NO.	DWG NO.
CHECKED				REV. 1.8.1
ISSUED		SCALE	SHEET 1(7)	



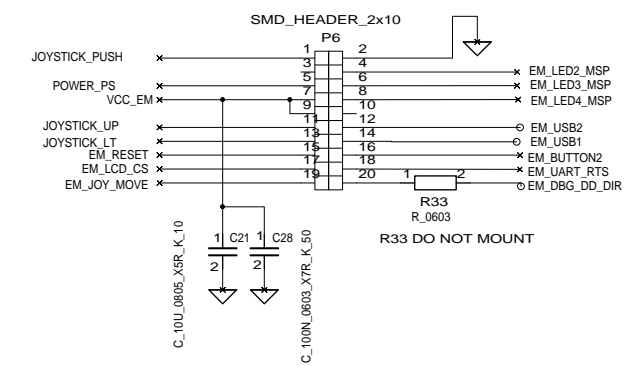
CONTRACT NO. 02587		COMPANY NAME TI Norway, LPW			
APPROVALS	DATE	DWG			
DRAWN	PEH	USB Interface			
CHECKED		SIZE A3	FSCM NO.	DWG NO.	REV. 1.8.1
ISSUED		SCALE			SHEET 2(7)



Mount 0 ohm resistor in position R30 to power DUT from +3.3V USB through connector P3

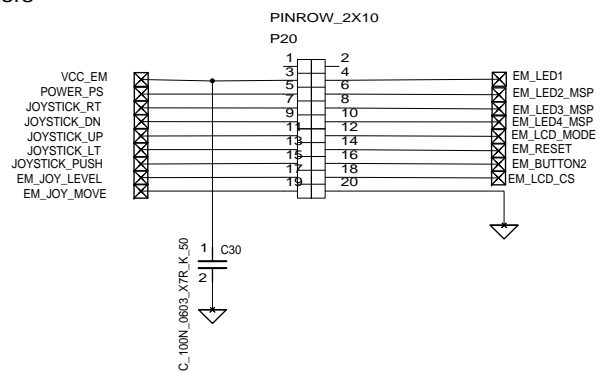
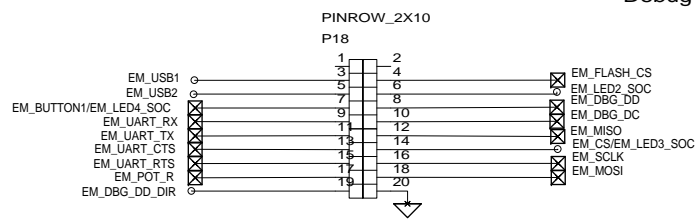


DO NOT MOUNT EM Connectors

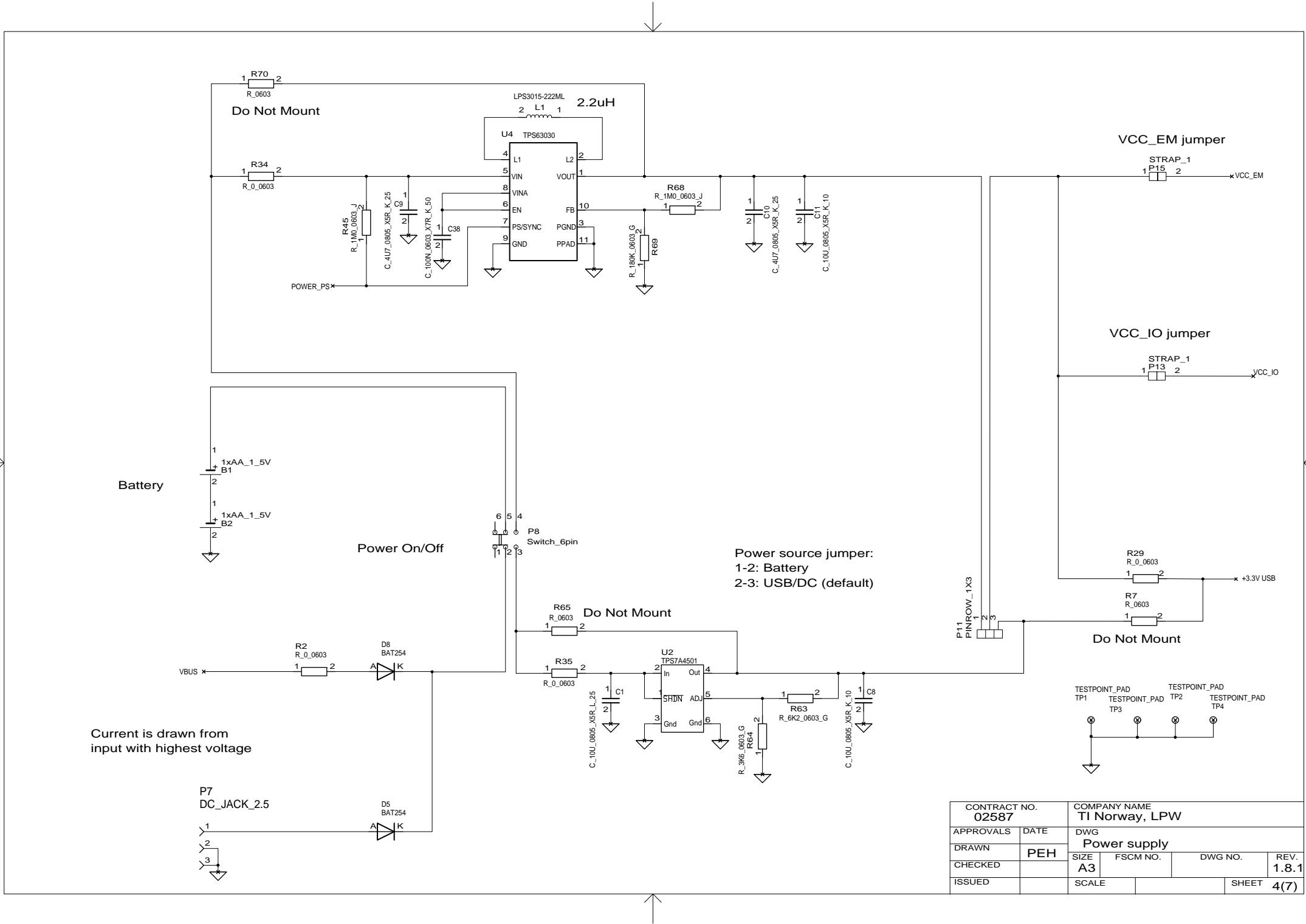


R33 DO NOT MOUNT

Debug Connectors



CONTRACT NO. 02587		COMPANY NAME TI Norway, LPW			
APPROVALS	DATE	DWG EM Interface			
DRAWN	PEH	SIZE A3	FSCM NO.	DWG NO.	REV. 1.8.1
CHECKED		SCALE			SHEET 3(7)
ISSUED					



Do Not Mount

VCC_EM jumper

VCC_IO jumper

Battery

Power On/Off

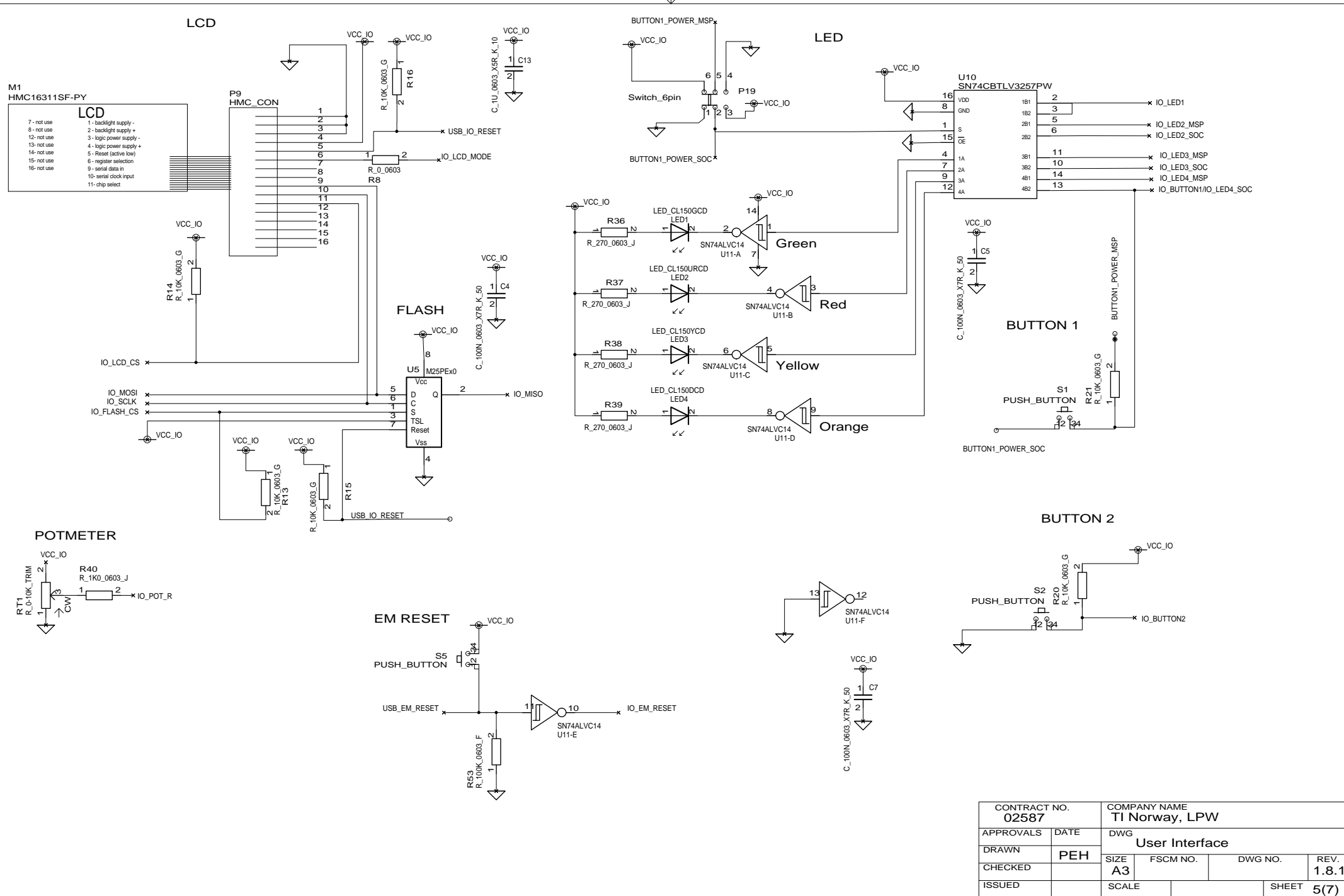
Power source jumper:
1-2: Battery
2-3: USB/DC (default)

Do Not Mount

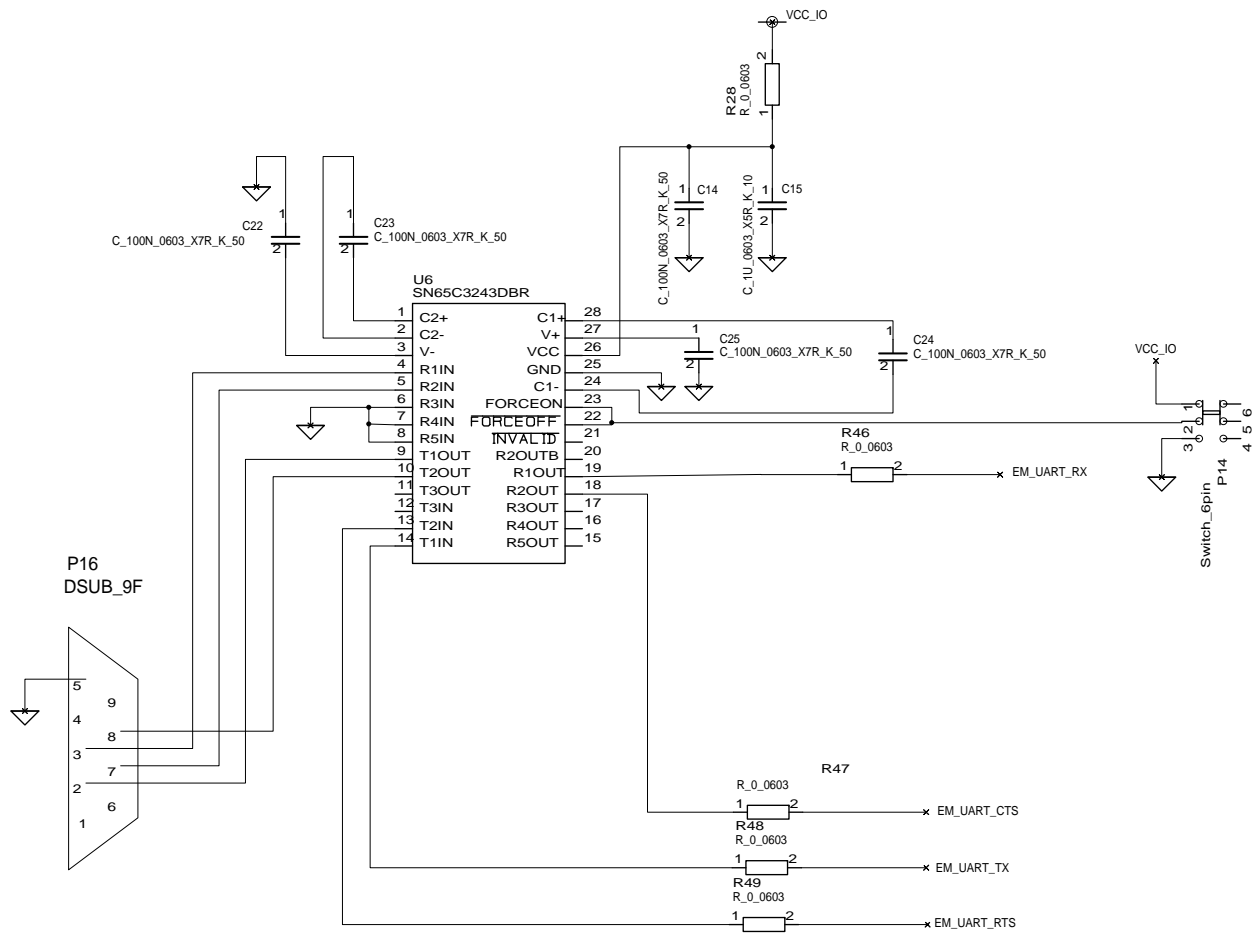
Do Not Mount

Current is drawn from input with highest voltage

CONTRACT NO. 02587		COMPANY NAME TI Norway, LPW			
APPROVALS	DATE	DWG Power supply			
DRAWN	PEH	SIZE A3	FSCM NO.	DWG NO.	REV. 1.8.1
CHECKED		SCALE		SHEET 4(7)	

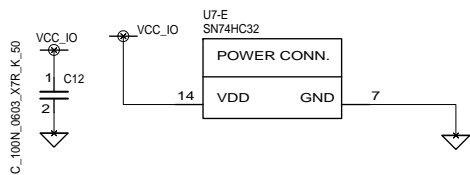
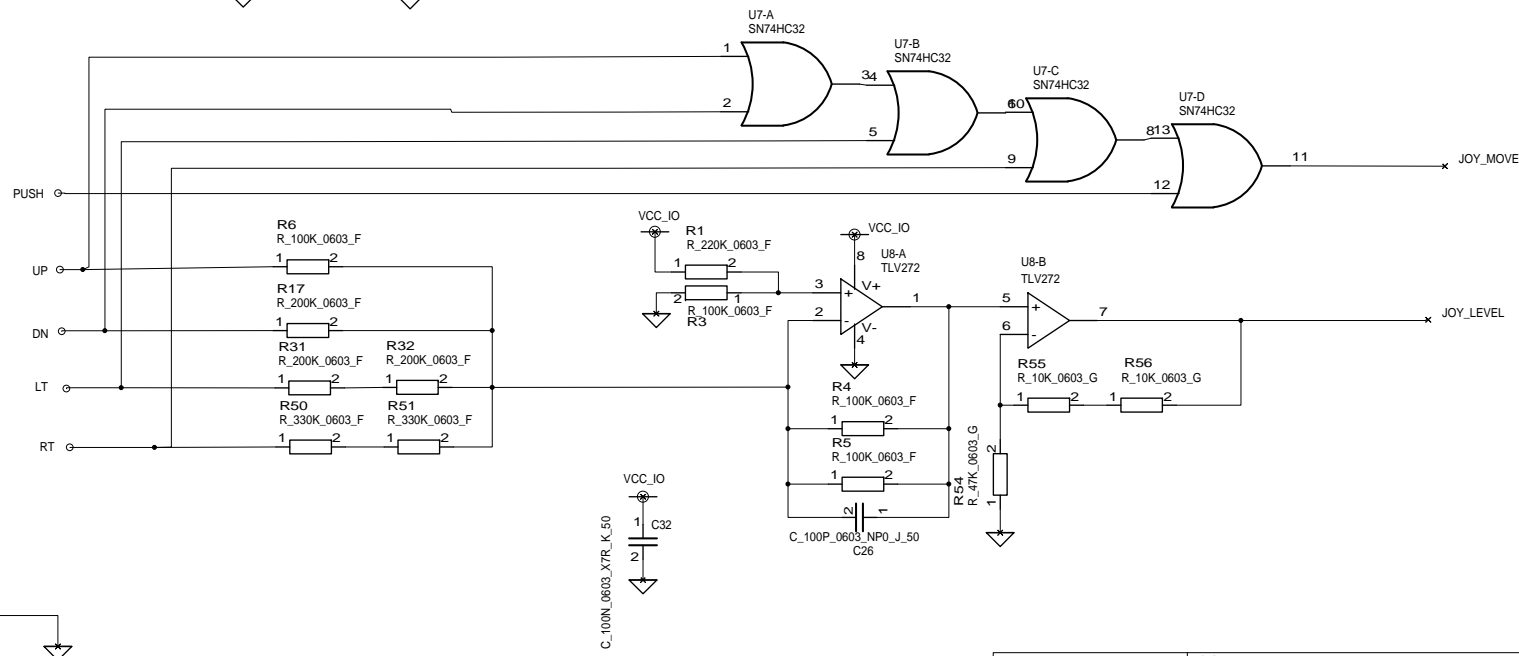
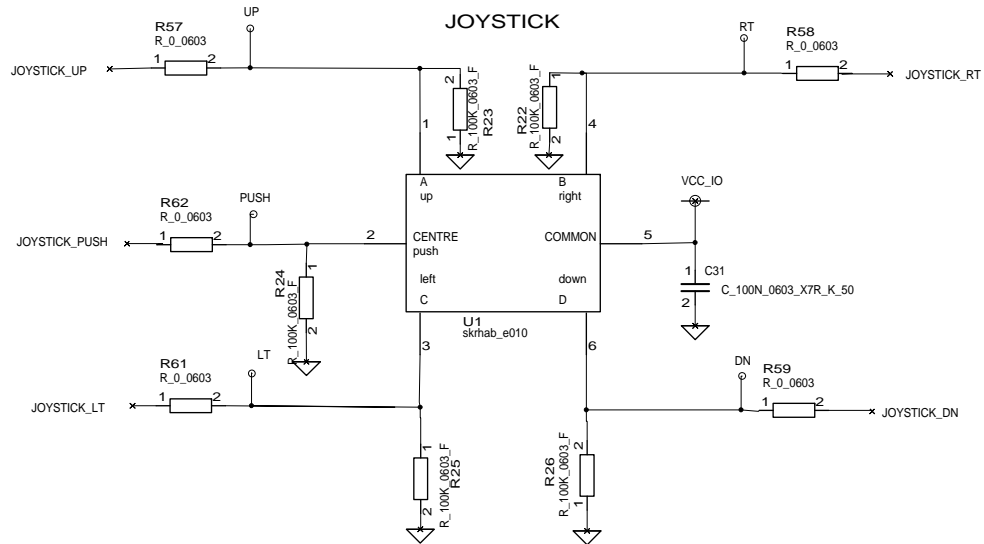


CONTRACT NO. 02587		COMPANY NAME TI Norway, LPW			
APPROVALS	DATE	DWG User Interface			
DRAWN	PEH	SIZE A3	FSCM NO.	DWG NO.	REV 1.8.1
CHECKED		SCALE			SHEET 5(7)
ISSUED					



PC RS232-port
 2-RXD
 3-TXD
 5-GND
 7-RTS
 8-CTS

CONTRACT NO. 02587		COMPANY NAME TI Norway, LPW			
APPROVALS	DATE	DWG RS-232 Interface			
DRAWN	PEH	SIZE A3	FSCM NO.	DWG NO.	REV. 1.8.1
CHECKED		SCALE			SHEET 6(7)
ISSUED					



CONTRACT NO. 02587		COMPANY NAME TI Norway, LPW			
APPROVALS	DATE	DWG Joystick			
DRAWN	PEH	SIZE A3	FSCM NO.	DWG NO.	REV. 1.8.1
CHECKED		SCALE			SHEET 7(7)
ISSUED					

IMPORTANT NOTICE

Texas Instruments Incorporated and its subsidiaries (TI) reserve the right to make corrections, modifications, enhancements, improvements, and other changes to its products and services at any time and to discontinue any product or service without notice. Customers should obtain the latest relevant information before placing orders and should verify that such information is current and complete. All products are sold subject to TI's terms and conditions of sale supplied at the time of order acknowledgment.

TI warrants performance of its hardware products to the specifications applicable at the time of sale in accordance with TI's standard warranty. Testing and other quality control techniques are used to the extent TI deems necessary to support this warranty. Except where mandated by government requirements, testing of all parameters of each product is not necessarily performed.

TI assumes no liability for applications assistance or customer product design. Customers are responsible for their products and applications using TI components. To minimize the risks associated with customer products and applications, customers should provide adequate design and operating safeguards.

TI does not warrant or represent that any license, either express or implied, is granted under any TI patent right, copyright, mask work right, or other TI intellectual property right relating to any combination, machine, or process in which TI products or services are used. Information published by TI regarding third-party products or services does not constitute a license from TI to use such products or services or a warranty or endorsement thereof. Use of such information may require a license from a third party under the patents or other intellectual property of the third party, or a license from TI under the patents or other intellectual property of TI.

Reproduction of TI information in TI data books or data sheets is permissible only if reproduction is without alteration and is accompanied by all associated warranties, conditions, limitations, and notices. Reproduction of this information with alteration is an unfair and deceptive business practice. TI is not responsible or liable for such altered documentation. Information of third parties may be subject to additional restrictions.

Resale of TI products or services with statements different from or beyond the parameters stated by TI for that product or service voids all express and any implied warranties for the associated TI product or service and is an unfair and deceptive business practice. TI is not responsible or liable for any such statements.

TI products are not authorized for use in safety-critical applications (such as life support) where a failure of the TI product would reasonably be expected to cause severe personal injury or death, unless officers of the parties have executed an agreement specifically governing such use. Buyers represent that they have all necessary expertise in the safety and regulatory ramifications of their applications, and acknowledge and agree that they are solely responsible for all legal, regulatory and safety-related requirements concerning their products and any use of TI products in such safety-critical applications, notwithstanding any applications-related information or support that may be provided by TI. Further, Buyers must fully indemnify TI and its representatives against any damages arising out of the use of TI products in such safety-critical applications.

TI products are neither designed nor intended for use in military/aerospace applications or environments unless the TI products are specifically designated by TI as military-grade or "enhanced plastic." Only products designated by TI as military-grade meet military specifications. Buyers acknowledge and agree that any such use of TI products which TI has not designated as military-grade is solely at the Buyer's risk, and that they are solely responsible for compliance with all legal and regulatory requirements in connection with such use.

TI products are neither designed nor intended for use in automotive applications or environments unless the specific TI products are designated by TI as compliant with ISO/TS 16949 requirements. Buyers acknowledge and agree that, if they use any non-designated products in automotive applications, TI will not be responsible for any failure to meet such requirements.

Following are URLs where you can obtain information on other Texas Instruments products and application solutions:

Products		Applications	
Amplifiers	amplifier.ti.com	Audio	www.ti.com/audio
Data Converters	dataconverter.ti.com	Automotive	www.ti.com/automotive
DLP® Products	www.dlp.com	Communications and Telecom	www.ti.com/communications
DSP	dsp.ti.com	Computers and Peripherals	www.ti.com/computers
Clocks and Timers	www.ti.com/clocks	Consumer Electronics	www.ti.com/consumer-apps
Interface	interface.ti.com	Energy	www.ti.com/energy
Logic	logic.ti.com	Industrial	www.ti.com/industrial
Power Mgmt	power.ti.com	Medical	www.ti.com/medical
Microcontrollers	microcontroller.ti.com	Security	www.ti.com/security
RFID	www.ti-rfid.com	Space, Avionics & Defense	www.ti.com/space-avionics-defense
RF/IF and ZigBee® Solutions	www.ti.com/lprf	Video and Imaging	www.ti.com/video
		Wireless	www.ti.com/wireless-apps

Mailing Address: Texas Instruments, Post Office Box 655303, Dallas, Texas 75265
Copyright © 2010, Texas Instruments Incorporated



**Стандарт
Электрон
Связь**

Мы молодая и активно развивающаяся компания в области поставок электронных компонентов. Мы поставляем электронные компоненты отечественного и импортного производства напрямую от производителей и с крупнейших складов мира.

Благодаря сотрудничеству с мировыми поставщиками мы осуществляем комплексные и плановые поставки широчайшего спектра электронных компонентов.

Собственная эффективная логистика и склад в обеспечивает надежную поставку продукции в точно указанные сроки по всей России.

Мы осуществляем техническую поддержку нашим клиентам и предпродажную проверку качества продукции. На все поставляемые продукты мы предоставляем гарантию .

Осуществляем поставки продукции под контролем ВП МО РФ на предприятия военно-промышленного комплекса России , а также работаем в рамках 275 ФЗ с открытием отдельных счетов в уполномоченном банке. Система менеджмента качества компании соответствует требованиям ГОСТ ISO 9001.

Минимальные сроки поставки, гибкие цены, неограниченный ассортимент и индивидуальный подход к клиентам являются основой для выстраивания долгосрочного и эффективного сотрудничества с предприятиями радиоэлектронной промышленности, предприятиями ВПК и научно-исследовательскими институтами России.

С нами вы становитесь еще успешнее!

Наши контакты:

Телефон: +7 812 627 14 35

Электронная почта: sales@st-electron.ru

Адрес: 198099, Санкт-Петербург,
Промышленная ул, дом № 19, литера Н,
помещение 100-Н Офис 331