

## GENERAL DESCRIPTION

The SP6669 is a synchronous current mode PWM step down (buck) converter capable of delivering up to 600mA of current and optimized for portable battery-operated applications.

Based on a current-mode 1.5MHz constant frequency PWM control scheme, the SP6669 reduces the overall component count and solution footprint. It provides low output voltage ripple and excellent line and load regulation. It also implements a 100% duty cycle LDO mode. Output voltage is adjustable to as low as 0.6V with a better than 3% accuracy while a low quiescent current supports the most stringent battery operating conditions.

Built-in over temperature and under voltage lock-out protections insure safe operations under abnormal operating conditions.

The SP6669 is offered in a RoHS compliant, "green"/halogen free 5-pin SOT23 package.

## EVALUATION BOARD MANUAL



## FEATURES

- **Guaranteed 600mA Output Current**
  - Input Voltage: 2.5V to 5.5V
- **1.5MHz PWM Current Mode Control**
  - 100% Duty Cycle LDO Mode Operations
  - Achieves 95% Efficiency
- **Adjustable Output Voltage Range**
  - As Low as 0.6V with  $\pm 3\%$  Accuracy
- **Over Temperature & UVLO Protection**

## EVALUATION BOARD SCHEMATICS

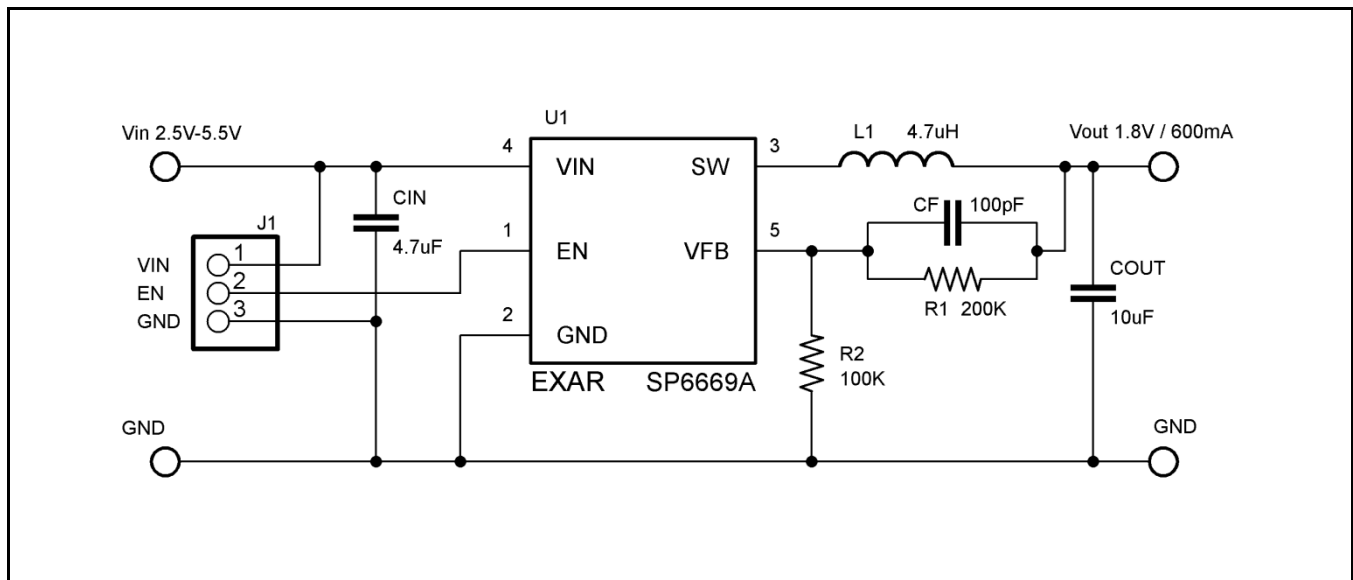


Fig. 1: SP6669 Evaluation Board Schematics

**PIN ASSIGNMENT**

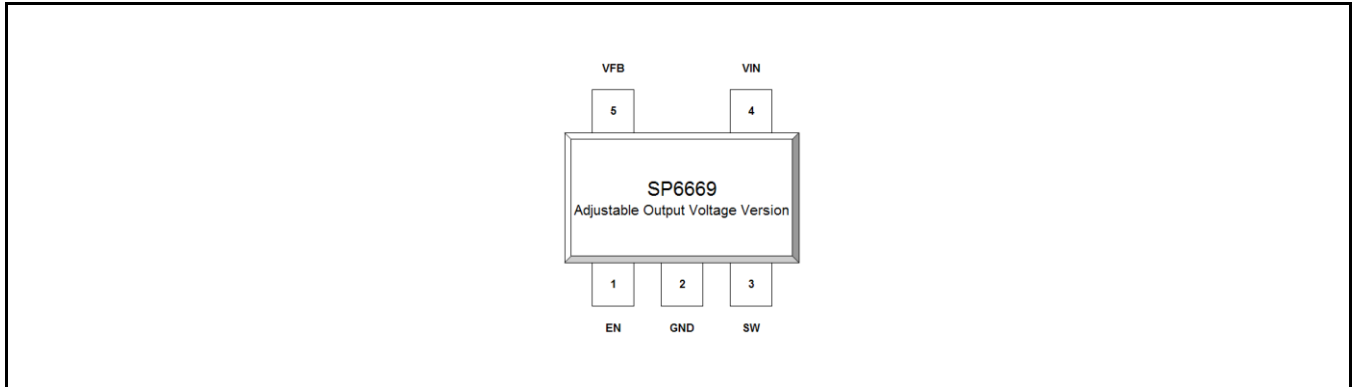


Fig. 2: SP6669 Pin Assignment

**PIN DESCRIPTION**

Name	Pin Number	Description
EN	1	Enable Pin. Do not leave the pin floating. $V_{EN} < 0.4V$ : Shutdown mode $V_{EN} > 1.2V$ : Device enabled
GND	2	Ground Signal Pin.
SW	3	Switching node.
VIN	4	Power Supply Pin. Must be decoupled to ground with a 4.7 $\mu$ F or greater ceramic capacitor.
VFB	5	Adjustable Version Feedback Input Pin. Connect VFB to the center point of the resistor divider.

**ORDERING INFORMATION**

Refer to SP6669’s datasheet and/or [www.exar.com](http://www.exar.com) for exact and up to date ordering information.

**USING THE EVALUATION BOARD****INITIAL SETUP**

Set the input supply to a voltage between 2.5V to 5.5V and connect it to VIN and GND connectors on the left side of the evaluation board. Connect the load to the VOUT and GND connectors on the right hand side of the board. Check to make sure that jumper J1 is set to VIN. The board will power-up and regulate to the desired output voltage VOUT set by the feedback resistors. The board will operate with a load current I<sub>OUT</sub> of up to 600mA.

**JUMPER J1 FUNCTION**

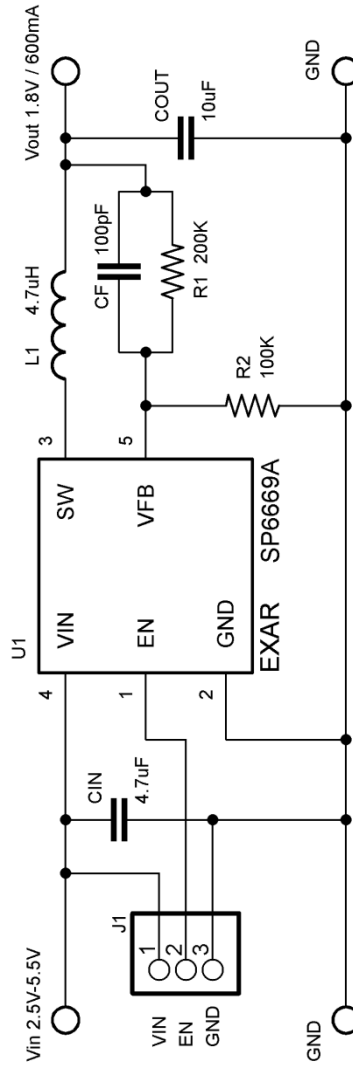
Jumper J1 can be used to either short EN pin to VIN or to GND. The Board is supplied from EXAR with the jumper set to connect EN to VIN.

**V<sub>OUT</sub> PROGRAMMING**

The SP6669 has a dynamically programmable output voltage using 2 feedback resistors to control the output voltage:

$$V_{OUT} = 0.6V \times \left(1 + \frac{R_1}{R_2}\right)$$

### EVALUATION BOARD SCHEMATICS



**BILL OF MATERIAL**

Ref.	Qty	Manufacturer	Part Number	Size	Component
Board	1	Exar Corp.	146-6595-00	1"x1.5"	SP6669 Eval board
U1	1	Exar Corp.	SP6669AEK-L	SOT23-5L	600mA Buck Reg.
CIN	1	Murata	GRM188R60J475KE19D	0603	Ceramic 4.7 $\mu$ F 6.3V X5R
COUT	1	Murata	GRM21BR60J106KE19	0805	Ceramic 10 $\mu$ F 6.3V X5R
CF	1	Murata	GRM1885C1H101JA01B	0603	Ceramic 100pF 50V COG
L1	1	Würth Elektronik	744025004	2.8mm x 2.8mm x 2.8mm	Inductor 4.7 $\mu$ H, 1.35A, 100m $\Omega$
R1	1	Vishay	CRCW06032003F 0603	0603	200K $\Omega$ , 1/10W, 1%
R2	1	Vishay	CRCW06031003F	0603	100K $\Omega$ , 1/10W, 1%
J1	1	Würth Elektronik	61303611121	0.64mm SQ x 6mm	3 Pin Header, 2.54mm pitch
J1 (Jumper)	1	Würth Elektronik	609002115121	0.1"	Jumper short
TP	3	Mill-Max	0300-115-01-4727100	0.042" dia	Test Point Female Pin



**REVISION HISTORY**

<b>Revision</b>	<b>Date</b>	<b>Description</b>
1.0.0	09/16/2010	Initial release of document

**FOR FURTHER ASSISTANCE**

Email:

customersupport@exar.com

Exar Technical Documentation:

<http://www.exar.com/TechDoc/default.aspx?>

**EXAR CORPORATION**

**HEADQUARTERS AND SALES OFFICES**

48720 Kato Road

Fremont, CA 94538 – USA

Tel.: +1 (510) 668-7000

Fax: +1 (510) 668-7030

[www.exar.com](http://www.exar.com)



**NOTICE**

EXAR Corporation reserves the right to make changes to the products contained in this publication in order to improve design, performance or reliability. EXAR Corporation assumes no responsibility for the use of any circuits described herein, conveys no license under any patent or other right, and makes no representation that the circuits are free of patent infringement. Charts and schedules contained here in are only for illustration purposes and may vary depending upon a user's specific application. While the information in this publication has been carefully checked; no responsibility, however, is assumed for inaccuracies.

EXAR Corporation does not recommend the use of any of its products in life support applications where the failure or malfunction of the product can reasonably be expected to cause failure of the life support system or to significantly affect its safety or effectiveness. Products are not authorized for use in such applications unless EXAR Corporation receives, in writing, assurances to its satisfaction that: (a) the risk of injury or damage has been minimized; (b) the user assumes all such risks; (c) potential liability of EXAR Corporation is adequately protected under the circumstances.

Reproduction, in part or whole, without the prior written consent of EXAR Corporation is prohibited.



**Стандарт  
Электрон  
Связь**

Мы молодая и активно развивающаяся компания в области поставок электронных компонентов. Мы поставляем электронные компоненты отечественного и импортного производства напрямую от производителей и с крупнейших складов мира.

Благодаря сотрудничеству с мировыми поставщиками мы осуществляем комплексные и плановые поставки широчайшего спектра электронных компонентов.

Собственная эффективная логистика и склад в обеспечивает надежную поставку продукции в точно указанные сроки по всей России.

Мы осуществляем техническую поддержку нашим клиентам и предпродажную проверку качества продукции. На все поставляемые продукты мы предоставляем гарантию .

Осуществляем поставки продукции под контролем ВП МО РФ на предприятия военно-промышленного комплекса России , а также работаем в рамках 275 ФЗ с открытием отдельных счетов в уполномоченном банке. Система менеджмента качества компании соответствует требованиям ГОСТ ISO 9001.

Минимальные сроки поставки, гибкие цены, неограниченный ассортимент и индивидуальный подход к клиентам являются основой для выстраивания долгосрочного и эффективного сотрудничества с предприятиями радиоэлектронной промышленности, предприятиями ВПК и научно-исследовательскими институтами России.

С нами вы становитесь еще успешнее!

**Наши контакты:**

**Телефон:** +7 812 627 14 35

**Электронная почта:** [sales@st-electron.ru](mailto:sales@st-electron.ru)

**Адрес:** 198099, Санкт-Петербург,  
Промышленная ул, дом № 19, литера Н,  
помещение 100-Н Офис 331