



# PCA85132

LCD driver for low multiplex rates

Rev. 4 — 9 April 2015

Product data sheet

## 1. General description

The PCA85132 is a peripheral device which interfaces to almost any Liquid Crystal Display (LCD)<sup>1</sup> with low multiplex rates. It generates the drive signals for any static or multiplexed LCD containing up to four backplanes and up to 160 segments. It can easily be cascaded for larger LCD applications. The PCA85132 is compatible with most microcontrollers and communicates via the two-line bidirectional I<sup>2</sup>C-bus. Communication overheads are minimized by a display RAM with auto-incremental addressing, by hardware subaddressing, and by display memory switching (static and duplex drive modes).

For a selection of NXP LCD segment drivers, see [Table 30 on page 56](#).

## 2. Features and benefits

- AEC-Q100 compliant for automotive applications
- Single-chip LCD controller and driver for up to 640 elements
- Selectable backplane drive configuration: static, 2, 3, or 4 backplane multiplexing
- 160 segment drives:
  - ◆ Up to 80 7-segment numeric characters
  - ◆ Up to 40 14-segment alphanumeric characters
  - ◆ Any graphics of up to 640 elements
- May be cascaded for large LCD applications (up to 5120 elements possible)
- 160 × 4-bit RAM for display data storage
- Software programmable frame frequency in steps of 5 Hz in the range of 60 Hz to 90 Hz; factory calibrated
- Wide LCD supply range: from 1.8 V for low threshold LCDs and up to 8.0 V for guest-host LCDs and high threshold (automobile) twisted nematic LCDs
- Internal LCD bias generation with voltage-follower buffers
- Selectable display bias configuration: static, 1/2, or 1/3
- Wide power supply range: from 1.8 V to 5.5 V
- LCD and logic supplies may be separated
- Low power consumption, typical: I<sub>DD</sub> = 4 μA, I<sub>DD(LCD)</sub> = 30 μA
- 400 kHz I<sup>2</sup>C-bus interface
- Auto-incremental display data loading across device subaddress boundaries
- Versatile blinking modes
- Compatible with Chip-On-Glass (COG) technology
- No external components required

1. The definition of the abbreviations and acronyms used in this data sheet can be found in [Section 19 on page 58](#).



- Two sets of backplane outputs for optimal COG configurations of the application

### 3. Ordering information

Table 1. Ordering information

| Type number | Package  |                                 |           |
|-------------|----------|---------------------------------|-----------|
|             | Name     | Description                     | Version   |
| PCA85132U   | bare die | 197 bumps; 6.5 × 1.16 × 0.40 mm | PCA85132U |

#### 3.1 Ordering options

Table 2. Ordering options

| Product type number | IC revision | Sales item (12NC) | Delivery form                                |
|---------------------|-------------|-------------------|--|
| PCA85132U/2DA/Q1    | 1           | 935290542026      | chips with hard bumps <sup>[1]</sup> in tray |
| PCA85132U/2DB/Q1    | 1           | 935290543026      | chips with soft bumps <sup>[1]</sup> in tray |

[1] Bump hardness see [Table 28 on page 53](#).

### 4. Marking

Table 3. Marking codes

| Product type number | Marking code  |
|---------------------|---------------|
| PCA85132U/2DA/Q1    | PC85132/232-1 |
| PCA85132U/2DB/Q1    | PC85132/232-1 |

5. Block diagram

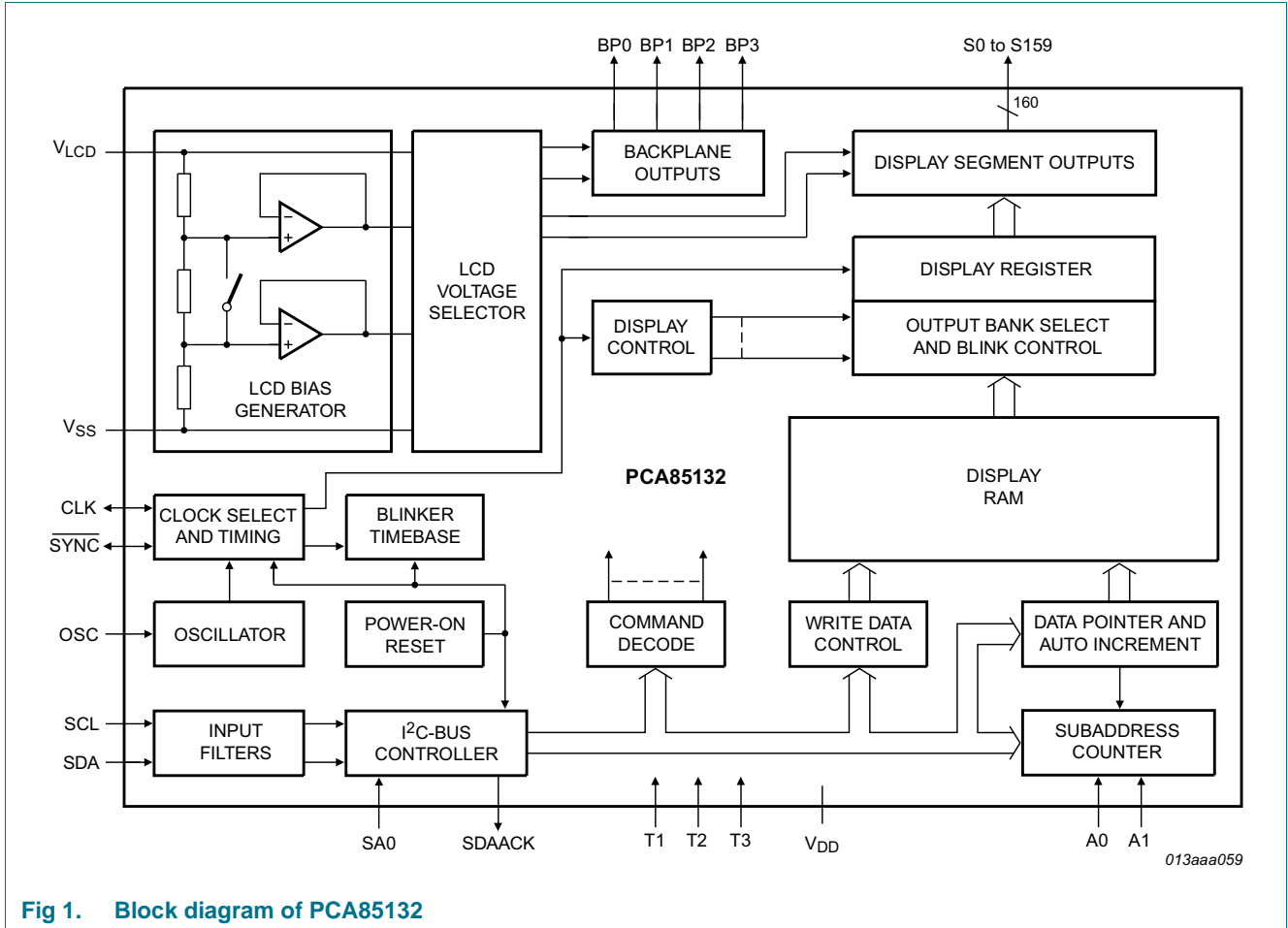
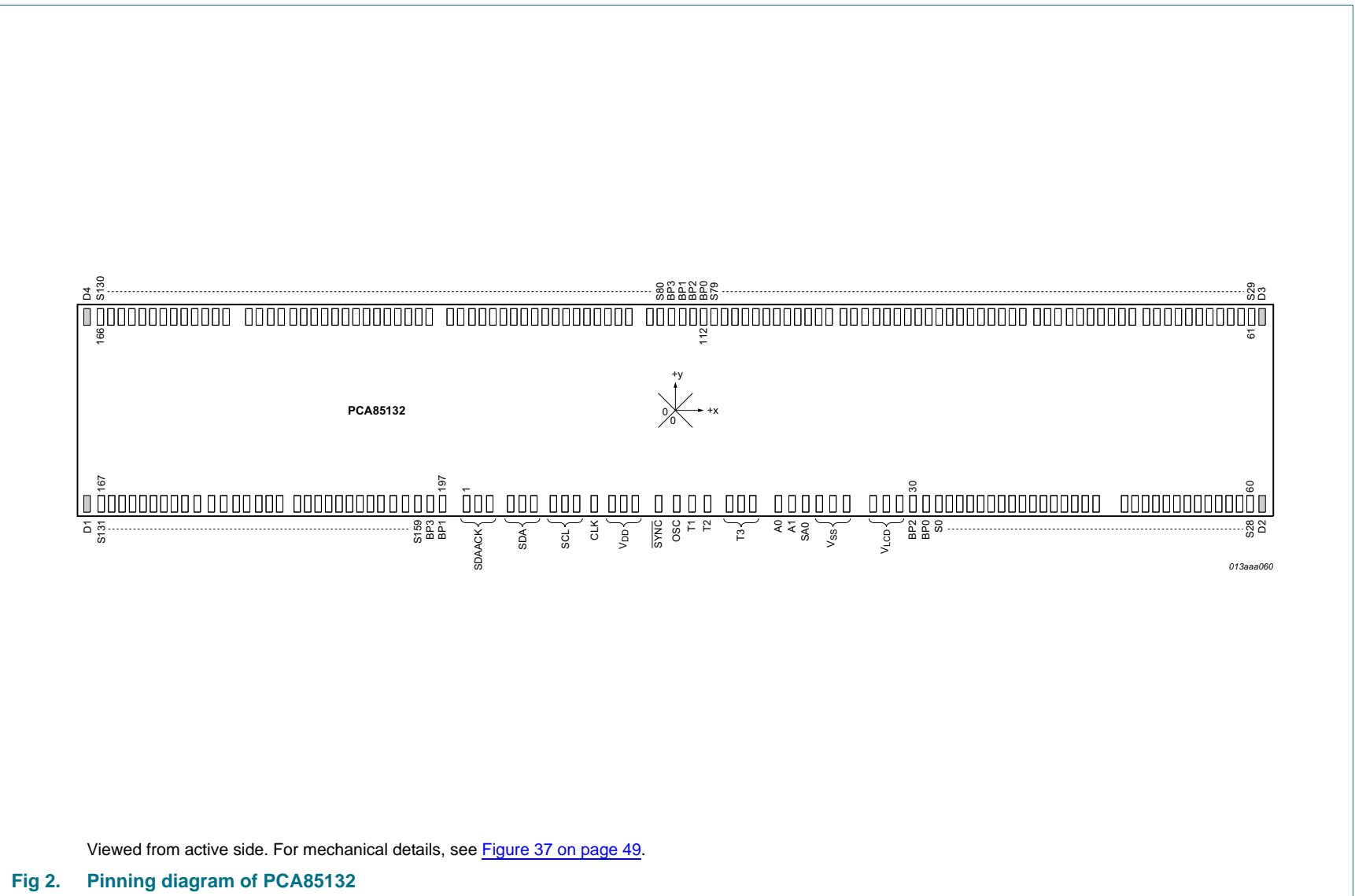


Fig 1. Block diagram of PCA85132

## 6. Pinning information

### 6.1 Pinning



Viewed from active side. For mechanical details, see [Figure 37 on page 49](#).

**Fig 2. Pinning diagram of PCA85132**

## 6.2 Pin description

**Table 4. Pin description**

*Input or input/output pins must always be at a defined level ( $V_{SS}$  or  $V_{DD}$ ) unless otherwise specified.*

| Symbol                   | Pin                  | Description  |
|--------------------------|----------------------|--|
| SDAACK <sup>[1]</sup>    | 1 to 3               | I <sup>2</sup> C-bus acknowledge output                            |
| SDA <sup>[1]</sup>       | 4 to 6               | I <sup>2</sup> C-bus serial data input                             |
| SCL                      | 7 to 9               | I <sup>2</sup> C-bus serial clock input                            |
| CLK                      | 10                   | clock input and output   |
| $V_{DD}$                 | 11 to 13             | supply voltage   |
| $\overline{\text{SYNC}}$ | 14                   | cascade synchronization input and output                           |
| OSC                      | 15                   | selection of internal or external clock                            |
| T1, T2, and T3           | 16, 17, and 18 to 20 | dedicated testing pins; to be tied to $V_{SS}$ in application mode |
| A0 and A1                | 21, 22               | subaddress inputs  |
| SA0                      | 23                   | I <sup>2</sup> C-bus slave address input                           |
| $V_{SS}$ <sup>[2]</sup>  | 24 to 26             | ground supply voltage  |
| $V_{LCD}$                | 27 to 29             | LCD supply voltage   |
| BP2 and BP0              | 30, 31               | LCD backplane outputs  |
| S0 to S79                | 32 to 111            | LCD segment outputs  |
| BP0, BP2, BP1, and BP3   | 112 to 115           | LCD backplane outputs  |
| S80 to S159              | 116 to 195           | LCD segment outputs  |
| BP3 and BP1              | 196, 197             | LCD backplane outputs  |

[1] For most applications SDA and SDAACK are shorted together (see [Section 14.3 on page 44](#)).

[2] The substrate (rear side of the die) is connected to  $V_{SS}$  and should be electrically isolated.

## 7. Functional description

The PCA85132 is a versatile peripheral device designed to interface between any microcontroller to a wide variety of LCD segment or dot matrix displays. It can directly drive any static or multiplexed LCD containing up to four backplanes and up to 160 segments.

### 7.1 Commands of PCA85132

The commands available to the PCA85132 are defined in [Table 5](#).

**Table 5. Definition of PCA85132 commands**

| Command               | Operation code |   |   |   |        |        |         |   | Reference                |
|-----------------------|----------------|---|---|---|--------|--------|---------|---|--------------------------|
|                       | 7              | 6 | 5 | 4 | 3      | 2      | 1       | 0 |                          |
| mode-set              | 1              | 1 | 0 | 0 | E      | B      | M[1:0]  |   | <a href="#">Table 6</a>  |
| load-data-pointer-MSB | 0              | 0 | 0 | 0 | P[7:4] |        |         |   | <a href="#">Table 7</a>  |
| load-data-pointer-LSB | 0              | 1 | 0 | 0 | P[3:0] |        |         |   | <a href="#">Table 8</a>  |
| device-select         | 1              | 1 | 1 | 0 | 0      | 0      | A[1:0]  |   | <a href="#">Table 9</a>  |
| bank-select           | 1              | 1 | 1 | 1 | 1      | 0      | I       | O | <a href="#">Table 10</a> |
| blink-select          | 1              | 1 | 1 | 1 | 0      | AB     | BF[1:0] |   | <a href="#">Table 11</a> |
| frequency-ctrl        | 1              | 1 | 1 | 0 | 1      | F[2:0] |         |   | <a href="#">Table 12</a> |

#### 7.1.1 Command: mode-set

The mode-set command allows configuring the multiplex mode, the bias levels and enabling or disabling the display.

**Table 6. Mode-set - command bit description**

| Bit    | Symbol | Value             | Description                                  |
|--------|--------|-------------------|--|
| 7 to 4 | -      | 1100              | fixed value                                  |
| 3      | E      |                   | <b>display status</b> <sup>[1]</sup>         |
|        |        | 0 <sup>[2]</sup>  | disabled (blank) <sup>[3]</sup>              |
|        |        | 1                 | enabled                                      |
| 2      | B      |                   | <b>LCD bias configuration</b> <sup>[4]</sup> |
|        |        | 0 <sup>[2]</sup>  | $\frac{1}{3}$ bias                           |
|        |        | 1                 | $\frac{1}{2}$ bias                           |
| 1 to 0 | M[1:0] |                   | <b>LCD drive mode selection</b>              |
|        |        | 01                | static; BP0                                  |
|        |        | 10                | 1:2 multiplex; BP0, BP1                      |
|        |        | 11                | 1:3 multiplex; BP0, BP1, BP2                 |
|        |        | 00 <sup>[2]</sup> | 1:4 multiplex; BP0, BP1, BP2, BP3            |

[1] The possibility to disable the display allows implementation of blinking under external control. The enable bit determines also whether the internal clock signal is available at the CLK pin (see [Section 7.1.6.2 on page 9](#)).

[2] Default value.

[3] The display is disabled by setting all backplane and segment outputs to  $V_{LCD}$ .

[4] Not applicable for static drive mode.

### 7.1.2 Command: load-data-pointer

The load-data-pointer command defines the display RAM address where the following display data will be sent to.

**Table 7. Load-data-pointer-MSB - command bit description**

See [Section 7.5.1 on page 24](#).

| Bit    | Symbol | Value                       | Description   |
|--------|--------|-----------------------------|---|
| 7 to 4 | -      | 0000                        | fixed value   |
| 3 to 0 | P[7:4] | 0000 <sup>[1]</sup> to 1001 | <b>defines the first 4 (most significant) bits of the data-pointer</b><br>the data-pointer indicates one of the 160 display RAM addresses |

[1] Default value.

**Table 8. Load-data-pointer-LSB - command bit description**

See [Section 7.5.1 on page 24](#).

| Bit    | Symbol | Value                       | Description   |
|--------|--------|-----------------------------|---|
| 7 to 4 | -      | 0100                        | fixed value   |
| 3 to 0 | P[3:0] | 0000 <sup>[1]</sup> to 1111 | <b>defines the last 4 (least significant) bits of the data-pointer</b><br>the data-pointer indicates one of the 160 display RAM addresses |

[1] Default value.

### 7.1.3 Command: device-select

The device-select command allows defining the subaddress counter value.

**Table 9. Device-select - command bit description**

See [Section 7.5.2 on page 24](#).

| Bit    | Symbol | Value                   | Description  |
|--------|--------|-------------------------|--|
| 7 to 2 | -      | 111000                  | fixed value  |
| 1 to 0 | A[1:0] | 00 <sup>[1]</sup> to 11 | <b>defines one of four hardware subaddresses</b><br>(see <a href="#">Table 23 on page 44</a> ) |

[1] Default value.

### 7.1.4 Command: bank-select

The bank-select command controls where data is written to RAM and where it is displayed from.

**Table 10. Bank-select - command bit description**

See [Section 7.5.4 on page 25](#).

| Bit    | Symbol | Value            | Description  |                              |
|--------|--------|------------------|--|------------------------------|
|        |        |                  | Static   | 1:2 multiplex <sup>[1]</sup> |
| 7 to 2 | -      | 111110           | fixed value  |                              |
| 1      | I      |                  | <b>input bank selection</b> ; storage of arriving display data |                              |
|        |        | 0 <sup>[2]</sup> | RAM row 0  | RAM rows 0 and 1             |
|        |        | 1                | RAM row 2  | RAM rows 2 and 3             |

**Table 10. Bank-select - command bit description ...continued**  
See [Section 7.5.4 on page 25](#).

| Bit | Symbol | Value            | Description  |                              |
|-----|--------|------------------|--|------------------------------|
|     |        |                  | Static   | 1:2 multiplex <sup>[1]</sup> |
| 0   | O      |                  | <b>output bank selection</b> ; retrieval of LCD display data |                              |
|     |        | 0 <sup>[2]</sup> | RAM row 0  | RAM rows 0 and 1             |
|     |        | 1                | RAM row 2  | RAM rows 2 and 3             |

[1] The bank-select command has no effect in 1:3 and 1:4 multiplex drive modes.

[2] Default value.

### 7.1.5 Command: blink-select

The blink-select command allows configuring the blink mode and the blink frequency.

**Table 11. Blink-select - command bit description**  
See [Section 7.1.6.6 on page 10](#).

| Bit    | Symbol  | Value             | Description                                |
|--------|---------|-------------------|--|
| 7 to 3 | -       | 11110             | fixed value                                |
| 2      | AB      |                   | <b>blink mode selection</b>                |
|        |         | 0 <sup>[1]</sup>  | normal blinking <sup>[2]</sup>             |
|        |         | 1                 | alternate RAM bank blinking <sup>[3]</sup> |
| 1 to 0 | BF[1:0] |                   | <b>blink frequency selection</b>           |
|        |         | 00 <sup>[1]</sup> | off  |
|        |         | 01                | 1  |
|        |         | 10                | 2  |
|        |         | 11                | 3  |

[1] Default value.

[2] Normal blinking is assumed when the LCD multiplex drive modes 1:3 or 1:4 are selected.

[3] Alternate RAM bank blinking does not apply in 1:3 and 1:4 multiplex drive modes.

### 7.1.6 Clock frequency and timing

The timing of the PCA85132 organizes the internal data flow of the device. The timing includes the transfer of display data from the display RAM to the display segment outputs and therefore the frame frequency.

#### 7.1.6.1 Clock source selection

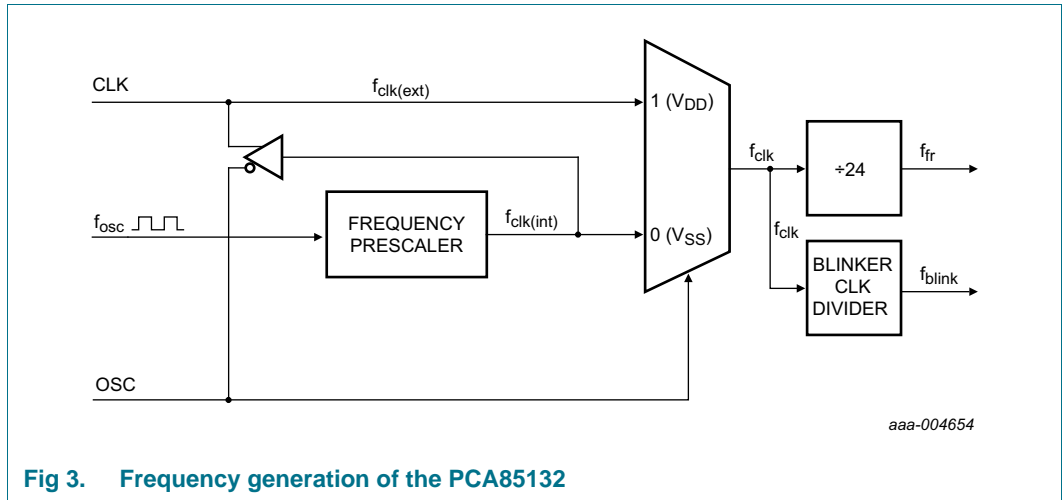
The PCA85132 can be configured to use either the built-in oscillator or an external clock as clock source:

**Internal clock** — To enable the internal oscillator, pin OSC has to be connected to  $V_{SS}$ . Pin CLK then becomes an output. For further information on the internal clock, see [Section 7.1.6.2](#).

**External clock** — To enable the use of an external clock, pin OSC has to be connected to  $V_{DD}$ . Pin CLK then becomes an input for the external clock frequency  $f_{clk(ext)}$ . For further information on the external clock, see [Section 7.1.6.3](#).

[Figure 3](#) illustrates the frequency generation of the PCA85132.





**Fig 3. Frequency generation of the PCA85132**

**Remark:** A clock signal must always be supplied to the device. Removing the clock may freeze the LCD in a DC state, which is not suitable for the liquid crystal.

**7.1.6.2 Internal clock**

If the internal oscillator is used, the timing of the PCA85132 is derived from the built-in oscillator by a pre-scaler which can be configured with the frequency-ctrl command (see [Table 12](#)).

The internal oscillator is calibrated within an accuracy of  $\pm 3.9\%$  (at  $V_{DD} = 5.0\text{ V}$ ;  $T_{amb} = 30\text{ }^\circ\text{C}$ ).

The frequency-ctrl command determines the division factor between the oscillator frequency  $f_{osc}$  and the internal clock frequency  $f_{clk(int)}$ . If the internal oscillator is used, the frame frequency is derived from the internal clock frequency  $f_{clk(int)}$  by the fixed division shown in [Equation 1 on page 9](#).

If the display is enabled (see bit E in [Table 6](#)),  $f_{clk(int)}$  on pin CLK provides the clock signal for cascaded LCD drivers in the system. For further information about cascading, see [Section 14.4 on page 44](#). The value range of  $f_{osc}$  is specified in [Table 22 on page 38](#).

**7.1.6.3 External clock**

If the external clock source is selected, the timing frequency of the PCA85132 is the external clock frequency. In this case, the frequency-ctrl command has no influence on the clock frequency nor the frame frequency. The frame frequency is derived from the external clock frequency  $f_{clk(ext)}$  by the fixed division as shown in [Equation 1](#).

**7.1.6.4 Frame frequency**

Sourced by the internal oscillator or an external clock, the frame frequency is derived from the clock frequency  $f_{clk}$  by [Equation 1](#).

$$f_{fr} = \frac{f_{clk}}{24} \tag{1}$$

7.1.6.5 Command: frequency-ctrl

Table 12. Frequency-ctrl - command bit description

| Bit    | Symbol | Value                    | Description                                   |  |  |
|--------|--------|--------------------------|---|--|--|
|        |        |                          | Equation                                      | Nominal clock frequency <sup>[1]</sup> | Nominal frame frequency <sup>[1]</sup> |
| 7 to 4 | -      | 11101                    | fixed value                                   |  |  |
| 3 to 0 | F[2:0] |                          | <b>defines the division factor</b>            |  |  |
|        |        | 000                      | $f_{clk(int)} = \frac{64}{80} \times f_{osc}$ | 1440 Hz                                | 60 Hz                                  |
|        |        | 001                      | $f_{clk(int)} = \frac{64}{74} \times f_{osc}$ | 1557 Hz                                | 65 Hz                                  |
|        |        | 010                      | $f_{clk(int)} = \frac{64}{68} \times f_{osc}$ | 1694 Hz                                | 70 Hz                                  |
|        |        | 011 <sup>[2]</sup> , 111 | $f_{clk(int)} = f_{osc}$                      | 1800 Hz                                | 75 Hz                                  |
|        |        | 100                      | $f_{clk(int)} = \frac{64}{60} \times f_{osc}$ | 1920 Hz                                | 80 Hz                                  |
|        |        | 101                      | $f_{clk(int)} = \frac{64}{56} \times f_{osc}$ | 2057 Hz                                | 85 Hz                                  |
|        |        | 110                      | $f_{clk(int)} = \frac{64}{53} \times f_{osc}$ | 2174 Hz                                | 90 Hz                                  |

[1] Calculated with the oscillator frequency of  $f_{osc} = 1.800$  Hz. The frame frequency is derived from the internal clock frequency by [Equation 1](#).

[2] Default value.

7.1.6.6 Blinking

The display blinking capabilities of the PCA85132 are very versatile. The whole display can blink at frequencies selected by the blink-select command (see [Table 11](#)). The blink frequencies are derived from the clock frequency ( $f_{clk}$ ). The ratios between the clock and blink frequencies depend on the blink mode in which the device is operating (see [Table 13](#)).

Table 13. Blink frequencies

Assuming that  $f_{clk} = 1.800$  kHz.

| Blink mode | Operating mode ratio               | Blink frequency |
|------------|------------------------------------|-----------------|
| off        | -                                  | blinking off    |
| 1          | $f_{blink} = \frac{f_{clk}}{768}$  | ~2.34 Hz        |
| 2          | $f_{blink} = \frac{f_{clk}}{1536}$ | ~1.17 Hz        |
| 3          | $f_{blink} = \frac{f_{clk}}{3072}$ | ~0.59 Hz        |

An additional feature is for an arbitrary selection of LCD elements to blink. This applies to the static and 1:2 multiplex drive modes and can be implemented without any communication overheads: With the output bank selector, the displayed RAM banks are

exchanged (see [Section 7.5.4 on page 25](#)) with alternate RAM banks at the blink frequency. This mode can also be specified by the blink-select command (see [Table 11 on page 8](#)).

In the 1:3 and 1:4 multiplex modes, where no alternate RAM bank is available, groups of LCD elements can blink selectively by changing the display RAM data at fixed time intervals.

The entire display can blink at a frequency other than the nominal blinking frequency. This can be effectively performed by resetting and setting the display enable bit E at the required rate using the mode-set command (see [Table 6](#)).

## 7.2 Power-On Reset (POR)

At power-on, the PCA85132 resets to the following starting conditions:

- All backplane and segment outputs are set to  $V_{LCD}$
- The selected drive mode is 1:4 multiplex with  $\frac{1}{3}$  bias
- Blinking is switched off
- Input and output bank selectors are reset
- The I<sup>2</sup>C-bus interface is initialized
- The data pointer and the subaddress counter are cleared (set to logic 0)
- The display is disabled (bit E = 0, see [Table 6 on page 6](#))
- If internal oscillator is selected (pin OSC connected to  $V_{SS}$ ), then there is no clock signal on pin CLK

**Remark:** Do not transfer data on the I<sup>2</sup>C-bus for at least 1 ms after a power-on to allow the reset action to complete.

## 7.3 Possible display configurations

The display configurations possible with the PCA85132 depend on the required number of active backplane outputs. A selection of display configurations is given in [Table 14](#).

All of the display configurations given in [Table 14](#) can be implemented in a typical system as shown in [Figure 5](#).

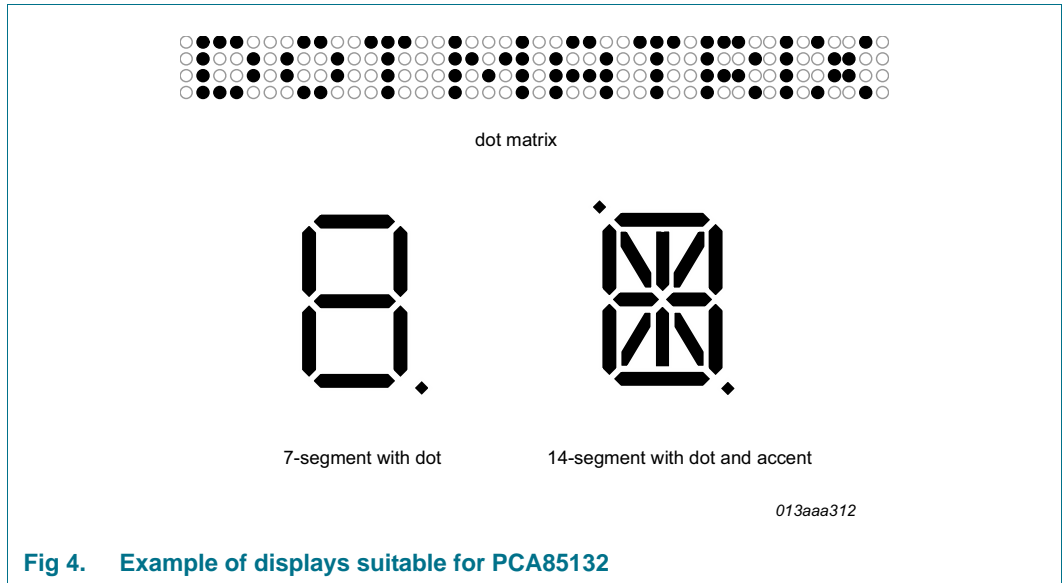


Fig 4. Example of displays suitable for PCA85132

Table 14. Selection of possible display configurations

| Number of Backplanes | Icons | Digits/Characters |            | Dot matrix/ Elements |
|----------------------|-------|-------------------|------------|----------------------|
|                      |       | 7-segment         | 14-segment |                      |
| 4                    | 640   | 80                | 40         | 640 dots (4 × 160)   |
| 3                    | 480   | 60                | 30         | 480 dots (3 × 160)   |
| 2                    | 320   | 40                | 20         | 320 dots (2 × 160)   |
| 1                    | 160   | 20                | 10         | 160 dots (1 × 160)   |

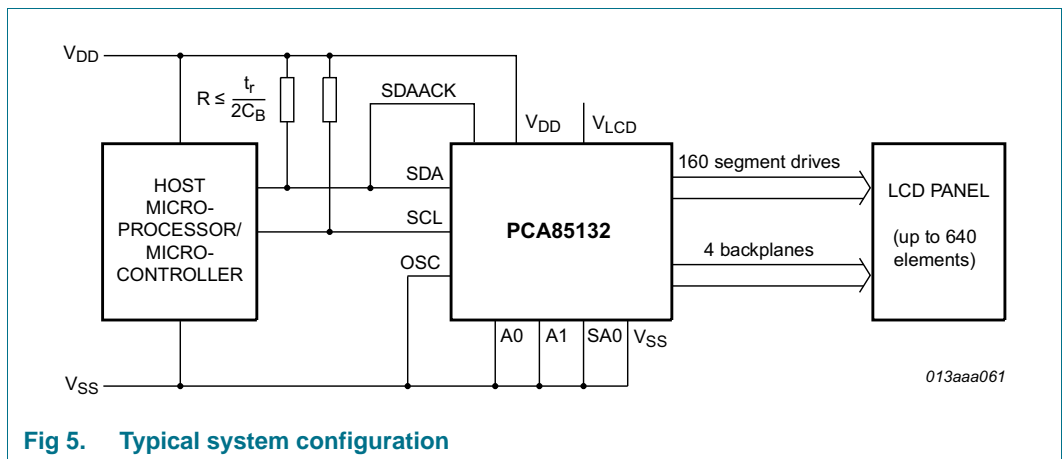


Fig 5. Typical system configuration

The host microcontroller maintains the 2-line I<sup>2</sup>C-bus communication channel with the PCA85132.

Biasing voltages for the multiplexed LCD waveforms are generated internally, removing the need for an external bias generator. The internal oscillator is selected by connecting pin OSC to V<sub>SS</sub>. The only other connections required to complete the system are the power supplies (V<sub>DD</sub>, V<sub>SS</sub>, and V<sub>LCD</sub>) and the LCD panel selected for the application.

**7.3.1 LCD bias generator**

Fractional LCD biasing voltages are obtained from an internal voltage divider of three impedances connected between pins  $V_{LCD}$  and  $V_{SS}$ . The center impedance is bypassed by switch if the  $\frac{1}{2}$  bias voltage level for the 1:2 multiplex drive mode configuration is selected.

**7.3.2 Display register**

The display register holds the display data while the corresponding multiplex signals are generated.

**7.3.3 LCD voltage selector**

The LCD voltage selector coordinates the multiplexing of the LCD in accordance with the selected LCD drive configuration. The operation of the voltage selector is controlled by the mode-set command. The biasing configurations that apply to the preferred modes of operation, together with the biasing characteristics as functions of  $V_{LCD}$  and the resulting discrimination ratios (D) are given in [Table 15](#).

Discrimination is a term which is defined as the ratio of the on and off RMS voltage across a segment. It can be thought of as a measurement of contrast.

**Table 15. Biasing characteristics**

| LCD drive mode | Number of: |        | LCD bias configuration | $\frac{V_{off(RMS)}}{V_{LCD}}$ | $\frac{V_{on(RMS)}}{V_{LCD}}$ | $D = \frac{V_{on(RMS)}}{V_{off(RMS)}}$ |
|----------------|------------|--------|------------------------|--------------------------------|-------------------------------|--|
|                | Backplanes | Levels |                        |                                |                               |  |
| static         | 1          | 2      | static                 | 0                              | 1                             | $\infty$                               |
| 1:2 multiplex  | 2          | 3      | $\frac{1}{2}$          | 0.354                          | 0.791                         | 2.236                                  |
| 1:2 multiplex  | 2          | 4      | $\frac{1}{3}$          | 0.333                          | 0.745                         | 2.236                                  |
| 1:3 multiplex  | 3          | 4      | $\frac{1}{3}$          | 0.333                          | 0.638                         | 1.915                                  |
| 1:4 multiplex  | 4          | 4      | $\frac{1}{3}$          | 0.333                          | 0.577                         | 1.732                                  |

A practical value for  $V_{LCD}$  is determined by equating  $V_{off(RMS)}$  with a defined LCD threshold voltage ( $V_{th(off)}$ ), typically when the LCD exhibits approximately 10 % contrast. In the static drive mode, a suitable choice is  $V_{LCD} > 3V_{th(off)}$ .

Multiplex drive modes of 1:3 and 1:4 with  $\frac{1}{2}$  bias are possible but the discrimination and hence the contrast ratios are smaller.

Bias is calculated by  $\frac{1}{1+a}$ , where the values for a are

a = 1 for  $\frac{1}{2}$  bias

a = 2 for  $\frac{1}{3}$  bias

The RMS on-state voltage ( $V_{on(RMS)}$ ) for the LCD is calculated with [Equation 2](#):

$$V_{on(RMS)} = V_{LCD} \sqrt{\frac{a^2 + 2a + n}{n \times (1 + a)^2}} \tag{2}$$

where the values for n are

n = 1 for static drive mode

n = 2 for 1:2 multiplex drive mode

$n = 3$  for 1:3 multiplex drive mode

$n = 4$  for 1:4 multiplex drive mode

The RMS off-state voltage ( $V_{off(RMS)}$ ) for the LCD is calculated with [Equation 3](#):

$$V_{off(RMS)} = V_{LCD} \sqrt{\frac{a^2 - 2a + n}{n \times (1 + a)^2}} \quad (3)$$

Discrimination is the ratio of  $V_{on(RMS)}$  to  $V_{off(RMS)}$  and is determined from [Equation 4](#):

$$D = \frac{V_{on(RMS)}}{V_{off(RMS)}} = \sqrt{\frac{a^2 + 2a + n}{a^2 - 2a + n}} \quad (4)$$

Using [Equation 4](#), the discrimination for an LCD drive mode of 1:3 multiplex with  $\frac{1}{2}$  bias is  $\sqrt{3} = 1.732$  and the discrimination for an LCD drive mode of 1:4 multiplex with  $\frac{1}{2}$  bias is  $\frac{\sqrt{21}}{3} = 1.528$ .

The advantage of these LCD drive modes is a reduction of the LCD full scale voltage  $V_{LCD}$  as follows:

- 1:3 multiplex ( $\frac{1}{2}$  bias):  $V_{LCD} = \sqrt{6} \times V_{off(RMS)} = 2.449V_{off(RMS)}$
- 1:4 multiplex ( $\frac{1}{2}$  bias):  $V_{LCD} = \left[ \frac{4 \times \sqrt{3}}{3} \right] = 2.309V_{off(RMS)}$

These compare with  $V_{LCD} = 3V_{off(RMS)}$  when  $\frac{1}{3}$  bias is used.

$V_{LCD}$  is sometimes referred as the LCD operating voltage.

### 7.3.3.1 Electro-optical performance

Suitable values for  $V_{on(RMS)}$  and  $V_{off(RMS)}$  are dependent on the LCD liquid used. The RMS voltages, at which a pixel is switched on or off, determine the transmissibility of the pixel.

For any given liquid, there are two threshold values defined. One point is at 10 % relative transmission (at  $V_{th(off)}$ ) and the other at 90 % relative transmission (at  $V_{th(on)}$ ), see [Figure 6](#). For a good contrast performance, the following rules should be followed:

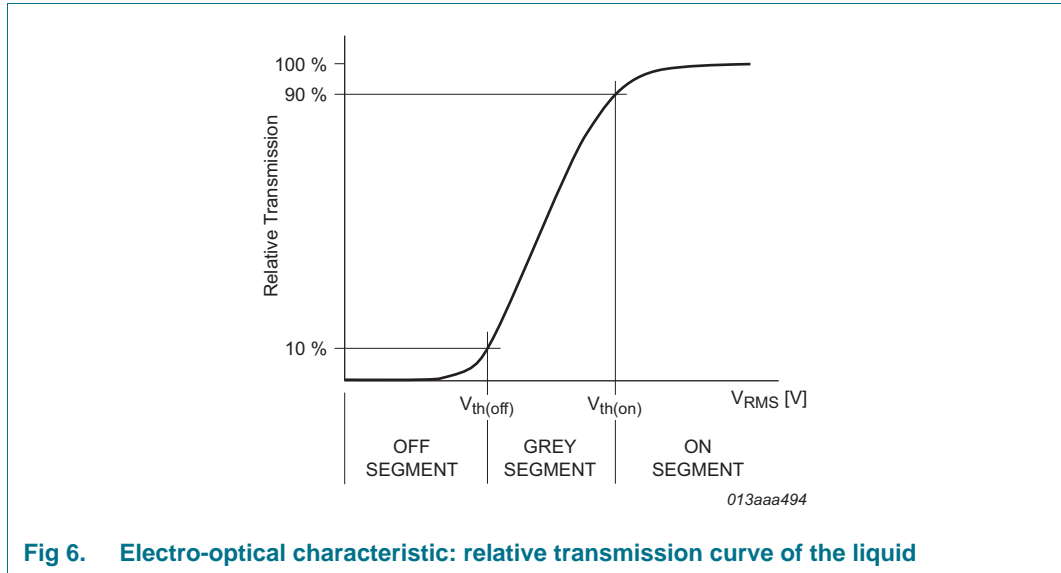
$$V_{on(RMS)} \geq V_{th(on)} \quad (5)$$

$$V_{off(RMS)} \leq V_{th(off)} \quad (6)$$

$V_{on(RMS)}$  and  $V_{off(RMS)}$  are properties of the display driver and are affected by the selection of  $a$  (see [Equation 2](#)),  $n$  (see [Equation 4](#)), and the  $V_{LCD}$  voltage.

$V_{th(off)}$  and  $V_{th(on)}$  are properties of the LCD liquid and can be provided by the module manufacturer.  $V_{th(off)}$  is sometimes named  $V_{th}$ .  $V_{th(on)}$  is sometimes named saturation voltage  $V_{sat}$ .

It is important to match the module properties to those of the driver in order to achieve optimum performance.



**Fig 6. Electro-optical characteristic: relative transmission curve of the liquid**

7.3.4 LCD drive mode waveforms

7.3.4.1 Static drive mode

The static LCD drive mode is used when a single backplane is provided in the LCD. Backplane and segment drive waveforms for this mode are shown in [Figure 7](#).

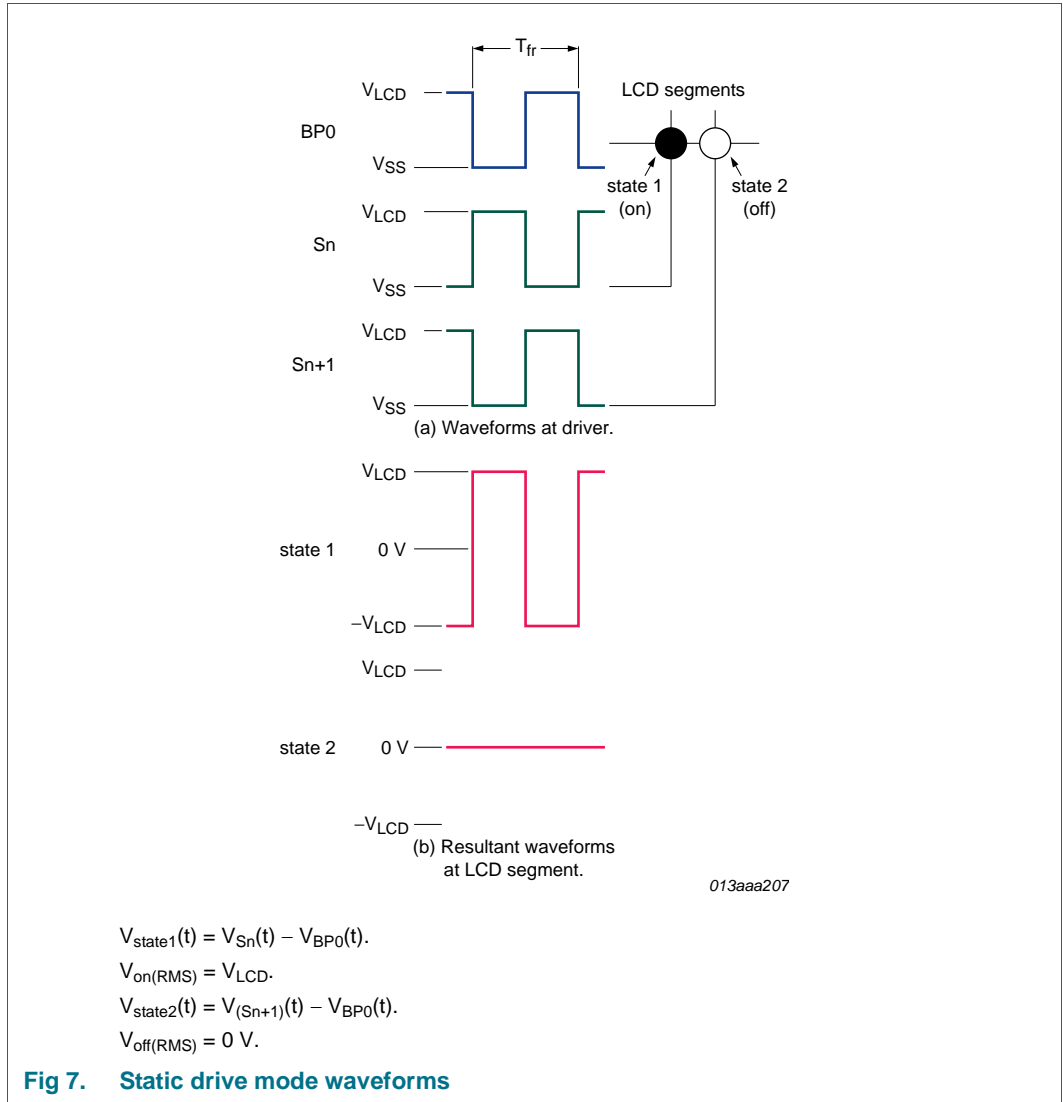


Fig 7. Static drive mode waveforms



7.3.4.2 1:2 multiplex drive mode

When two backplanes are provided in the LCD, the 1:2 multiplex mode applies. The PCA85132 allows the use of 1/2 bias or 1/3 bias in this mode as shown in Figure 8 and Figure 9.

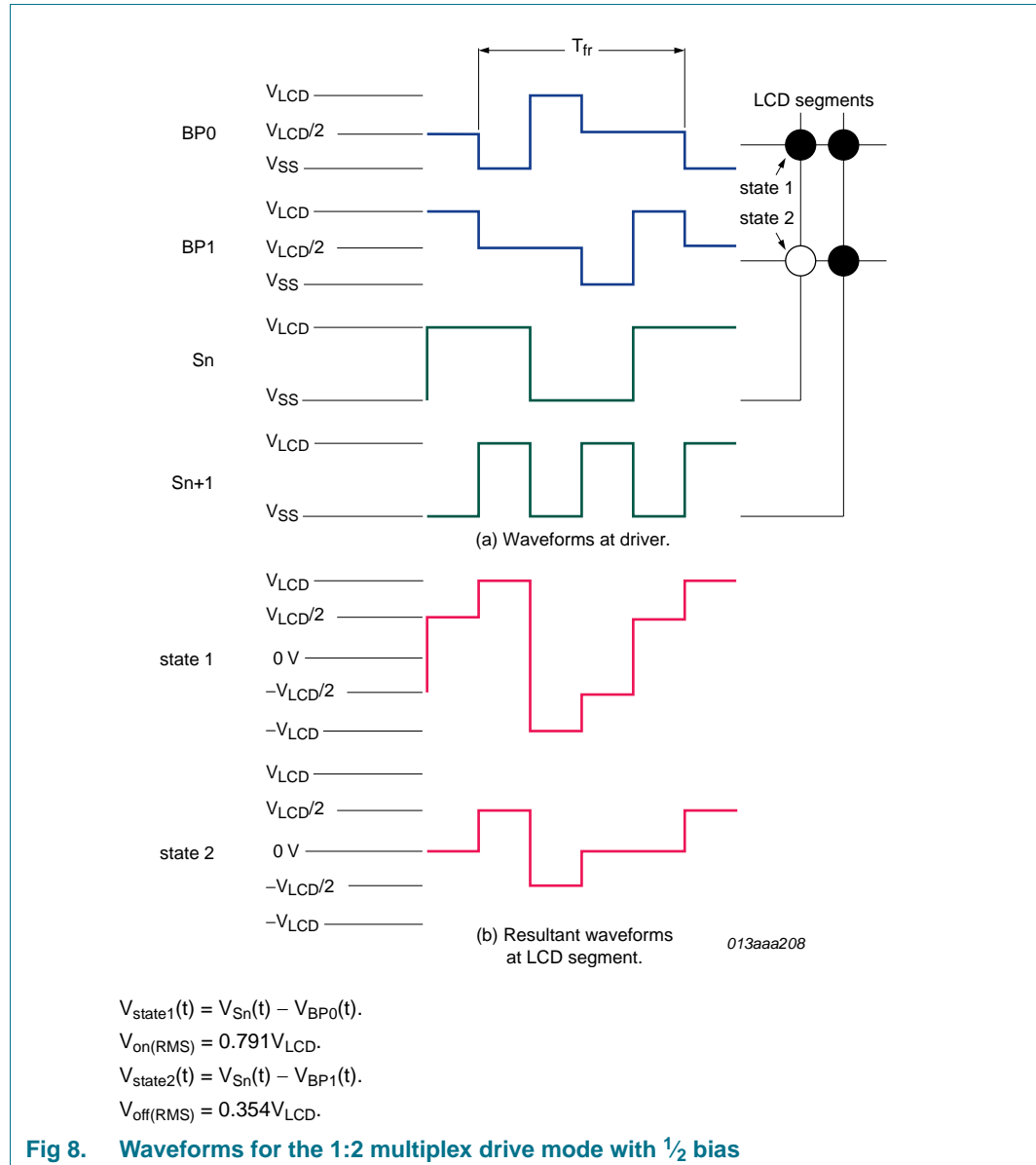
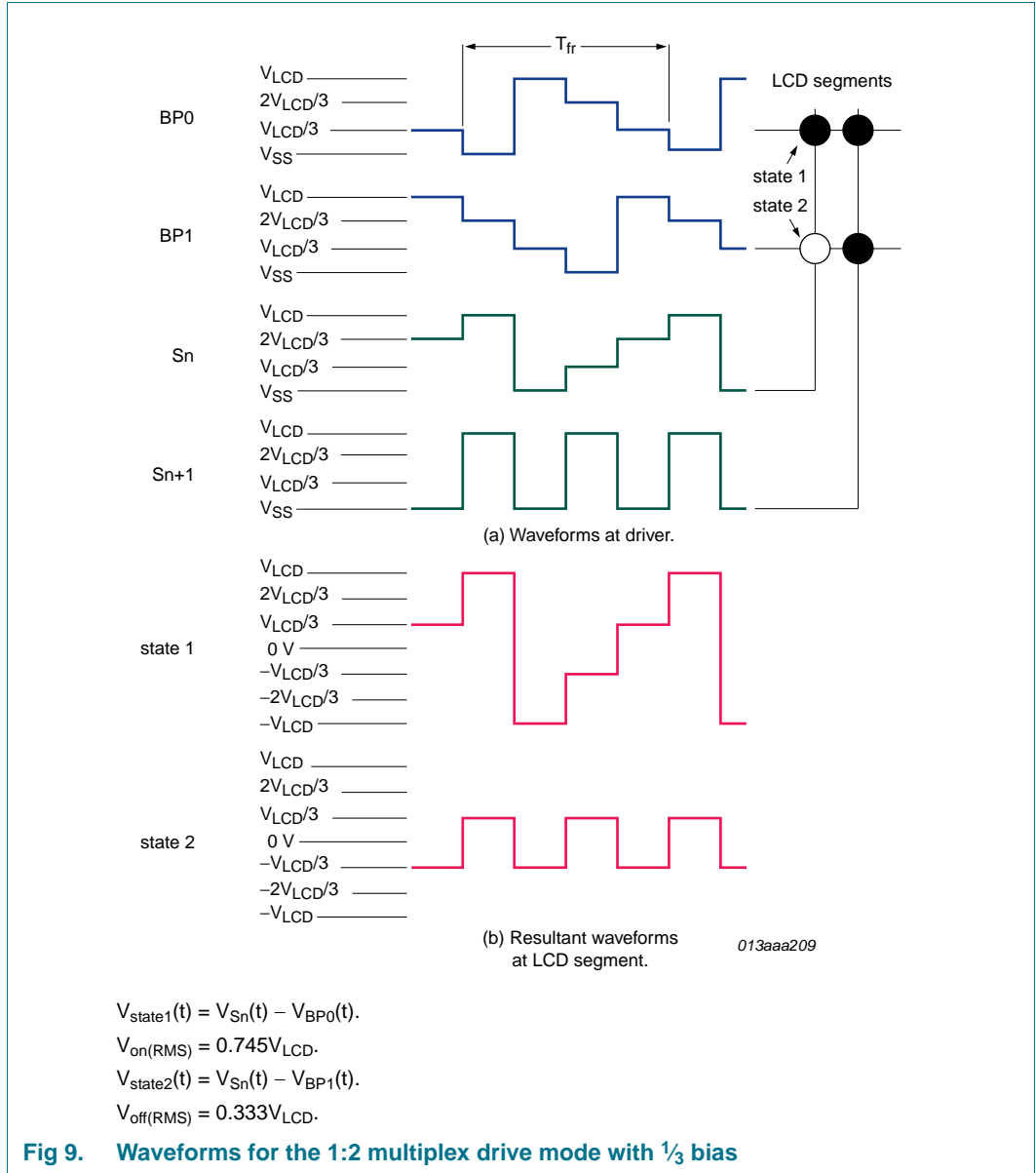


Fig 8. Waveforms for the 1:2 multiplex drive mode with 1/2 bias



**Fig 9. Waveforms for the 1:2 multiplex drive mode with 1/3 bias**

7.3.4.3 1:3 multiplex drive mode

When three backplanes are provided in the LCD, the 1:3 multiplex drive mode applies as shown in Figure 10.

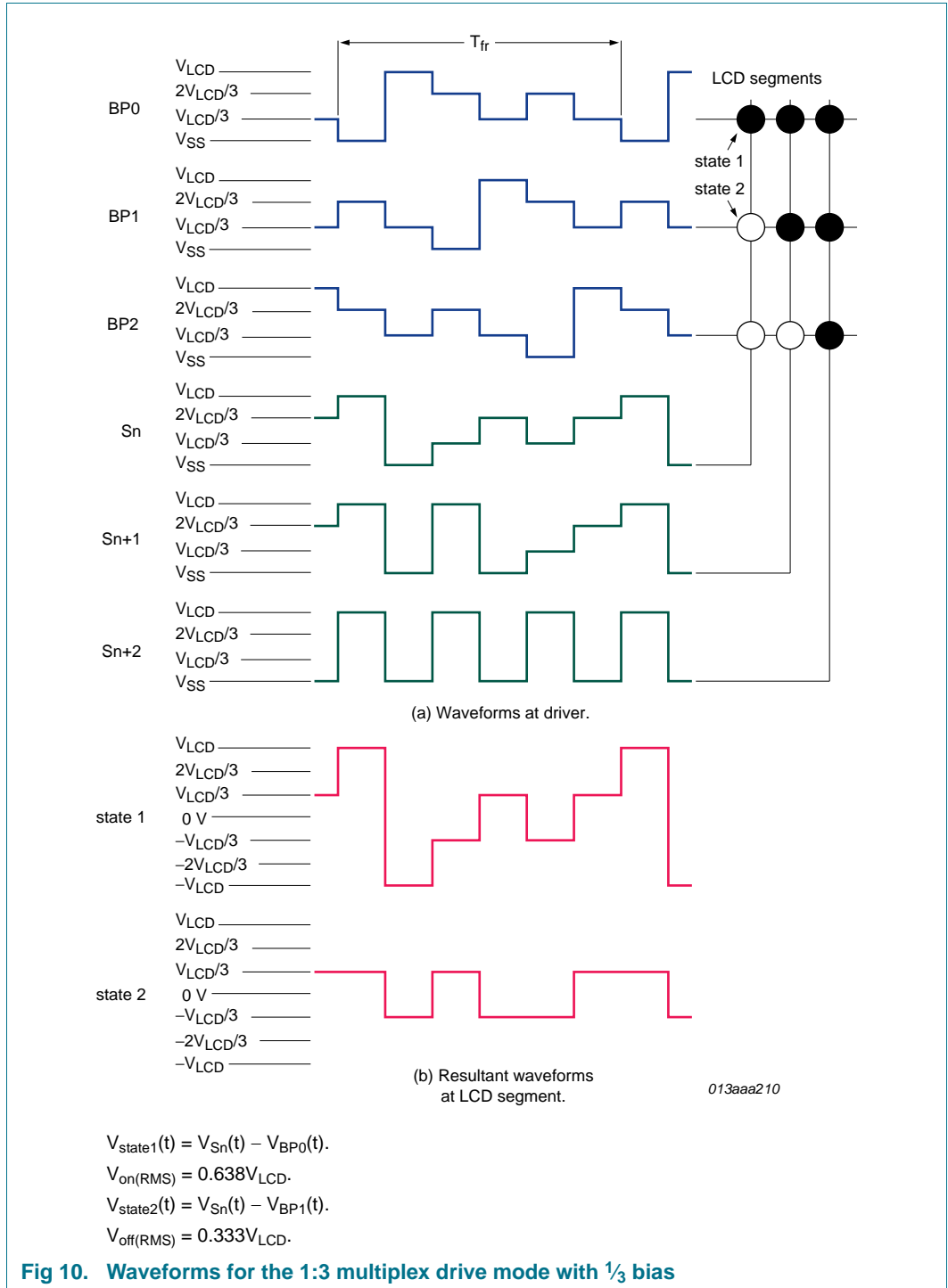


Fig 10. Waveforms for the 1:3 multiplex drive mode with 1/3 bias

7.3.4.4 1:4 multiplex drive mode

When four backplanes are provided in the LCD, the 1:4 multiplex drive mode applies as shown in Figure 11.

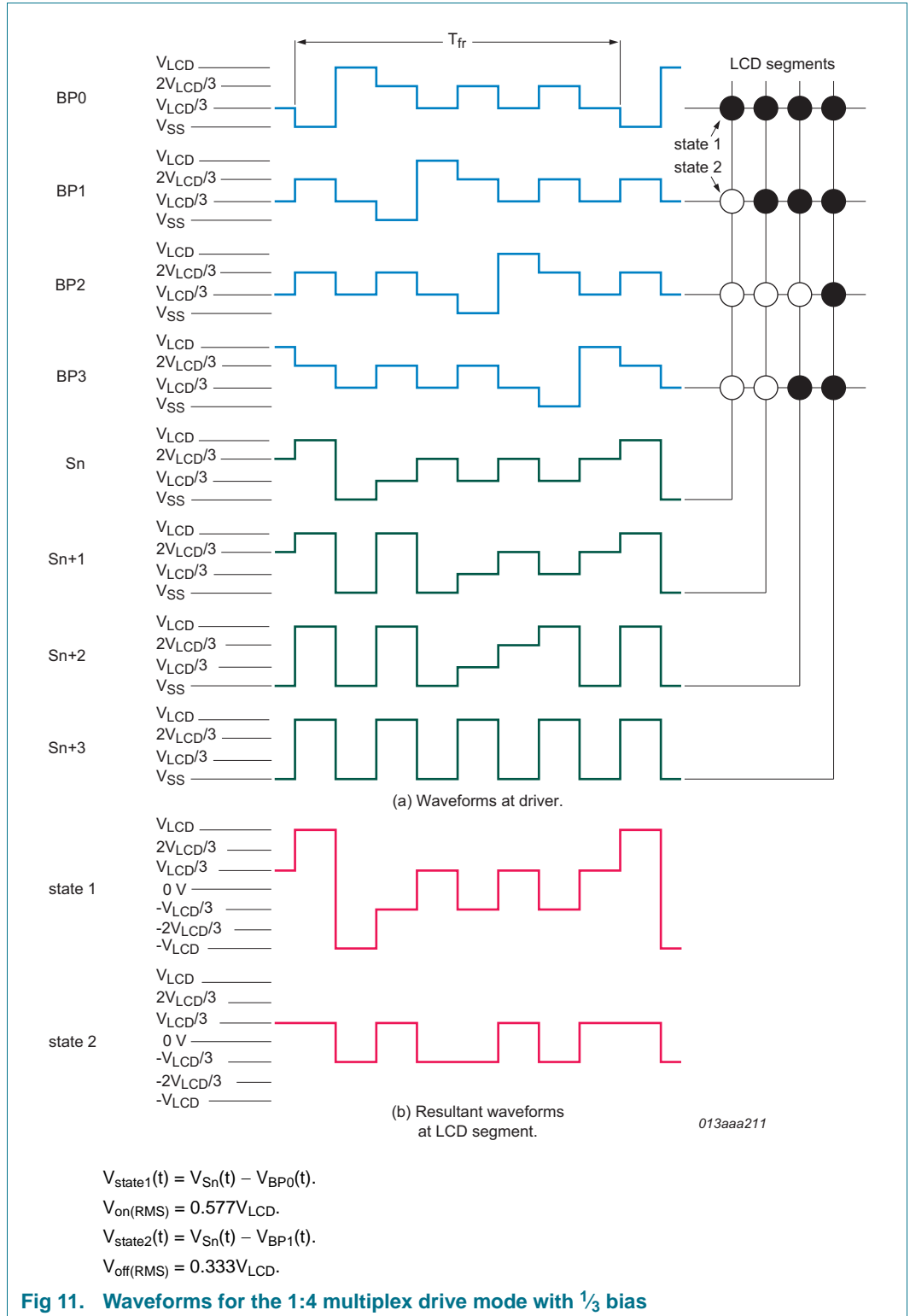


Fig 11. Waveforms for the 1:4 multiplex drive mode with 1/3 bias

## 7.4 Backplane and segment outputs

### 7.4.1 Backplane outputs

The LCD drive section includes four backplane outputs: BP0 to BP3. The backplane output signals are generated in accordance with the selected LCD drive mode.

- In the 1:4 multiplex drive mode BP0 to BP3 must be connected directly to the LCD.

If less than four backplane outputs are required, the unused outputs can be left open-circuit.

- In 1:3 multiplex drive mode BP3 carries the same signal as BP1, therefore these two adjacent outputs can be tied together to give enhanced drive capabilities.
- In 1:2 multiplex drive mode BP0 and BP2, BP1 and BP3 respectively carry the same signals and may also be paired to increase the drive capabilities.
- In static drive mode, the same signal is carried by all four backplane outputs and they can be connected in parallel for very high drive requirements.

The pins for the four backplanes BP0 to BP3 are available on both pin bars of the chip. In applications, it is possible to use either the pins for the backplanes

- on the top pin bar
- on the bottom pin bar
- or both of them to increase the driving strength of the device.

When using all backplanes available they may be connected to the respective sibling (BP0 on the top pin bar with BP0 on the bottom pin bar, and so on).

### 7.4.2 Segment outputs

The LCD drive section includes 160 segment outputs (S0 to S159) which must be connected directly to the LCD. The segment output signals are generated in accordance with the multiplexed backplane signals and with data resident in the display register. When less than 160 segment outputs are required, the unused segment outputs must be left open-circuit.

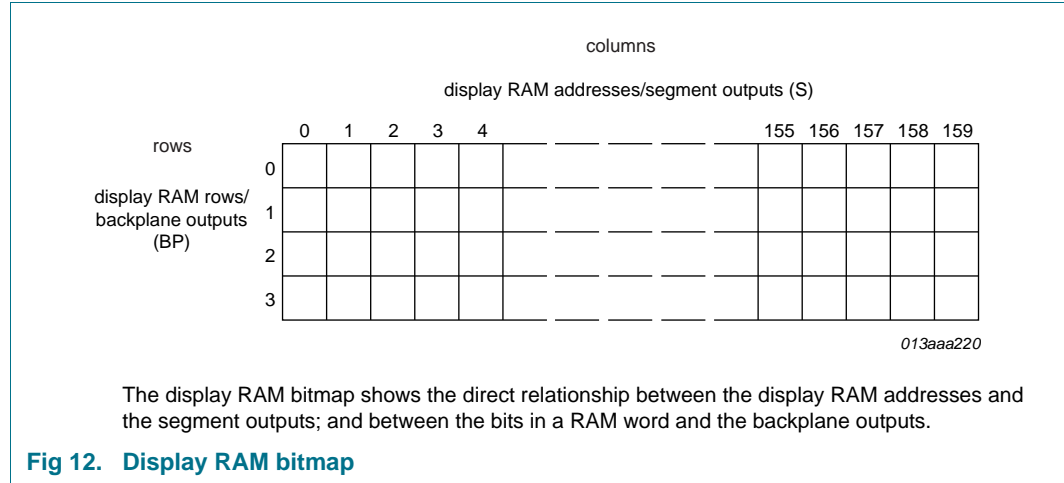
## 7.5 Display RAM

The display RAM is a static  $160 \times 4$  bit RAM which stores LCD data. There is a one-to-one correspondence between

- the bits in the RAM bitmap and the LCD elements
- the RAM columns and the segment outputs
- the RAM rows and the backplane outputs.

A logic 1 in the RAM bitmap indicates the on-state of the corresponding LCD element; similarly, a logic 0 indicates the off-state.

The display RAM bitmap, [Figure 12](#), shows the rows 0 to 3 which correspond with the backplane outputs BP0 to BP3, and the columns 0 to 159 which correspond with the segment outputs S0 to S159. In multiplexed LCD applications the segment data of the first, second, third, and fourth row of the display RAM are time-multiplexed with BP0, BP1, BP2, and BP3 respectively.



**Fig 12. Display RAM bitmap**

When display data is transmitted to the PCA85132, the received display bytes are stored in the display RAM in accordance with the selected LCD drive mode. The data is stored as it arrives and does not wait for the acknowledge cycle as with the commands. Depending on the current multiplex drive mode, data is stored singularly, in pairs, triples, or quadruples. To illustrate the filling order, an example of a 7-segment numeric display showing all drive modes is given in [Figure 13](#). The RAM filling organization depicted applies equally to other LCD types.

The following applies to [Figure 13](#):

- In static drive mode the eight transmitted data bits are placed in row 0 as 1 byte.
- In 1:2 multiplex drive mode the eight transmitted data bits are placed in pairs into row 0 and 1 as four successive 2-bit RAM words.
- In 1:3 multiplex drive mode the 8 bits are placed in triples into row 0, 1, and 2 as 3 successive 3-bit RAM words, with bit 3 of the third address left unchanged. It is not recommended to use this bit in a display because of the difficult addressing. This last bit may, if necessary, be controlled by an additional transfer to this address but care should be taken to avoid overwriting adjacent data because always full bytes are transmitted (see [Section 7.5.3 on page 24](#)).
- In 1:4 multiplex drive mode, the eight transmitted data bits are placed in quadruples into row 0, 1, 2, and 3 as 2 successive 4-bit RAM words.

| drive mode       | LCD segments | LCD backplanes | display RAM filling order  | transmitted display byte |       |       |                  |                  |                  |                |       |                |                  |                |   |              |    |    |   |   |    |                |    |   |   |    |   |   |   |   |              |   |   |   |   |   |    |   |   |  |   |   |   |   |   |   |   |   |   |   |   |   |   |   |   |   |    |
|------------------|--------------|----------------|--|--------------------------|-------|-------|------------------|------------------|------------------|----------------|-------|----------------|------------------|----------------|---|--------------|----|----|---|---|----|----------------|----|---|---|----|---|---|---|---|--------------|---|---|---|---|---|----|---|---|--|---|---|---|---|---|---|---|---|---|---|---|---|---|---|---|---|----|
| static           |              |                | <p>columns<br/>display RAM address/segment outputs (s)<br/>byte1</p> <table border="1"> <tr> <td></td> <td>n</td> <td>n + 1</td> <td>n + 2</td> <td>n + 3</td> <td>n + 4</td> <td>n + 5</td> <td>n + 6</td> <td>n + 7</td> </tr> <tr> <td>rows display RAM</td> <td>c</td> <td>b</td> <td>a</td> <td>f</td> <td>g</td> <td>e</td> <td>d</td> <td>DP</td> </tr> <tr> <td>rows/backplane</td> <td>x</td> <td>x</td> <td>x</td> <td>x</td> <td>x</td> <td>x</td> <td>x</td> <td>x</td> </tr> <tr> <td>outputs (BP)</td> <td>x</td> <td>x</td> <td>x</td> <td>x</td> <td>x</td> <td>x</td> <td>x</td> <td>x</td> </tr> <tr> <td></td> <td>x</td> <td>x</td> <td>x</td> <td>x</td> <td>x</td> <td>x</td> <td>x</td> <td>x</td> </tr> </table> |                          | n     | n + 1 | n + 2            | n + 3            | n + 4            | n + 5          | n + 6 | n + 7          | rows display RAM | c              | b | a            | f  | g  | e   | d | DP | rows/backplane | x  | x   | x | x  | x | x | x   | x | outputs (BP) | x | x | x | x | x | x  | x | x |  | x | x | x | x | x | x | x | x | <p>MSB</p> <p>LSB</p> <table border="1"> <tr> <td>c</td> <td>b</td> <td>a</td> <td>f</td> <td>g</td> <td>e</td> <td>d</td> <td>DP</td> </tr> </table> | c | b | a | f | g | e | d | DP |
|                  | n            | n + 1          | n + 2  | n + 3                    | n + 4 | n + 5 | n + 6            | n + 7            |                  |                |       |                |                  |                |   |              |    |    |   |   |    |                |    |   |   |    |   |   |   |   |              |   |   |   |   |   |    |   |   |  |   |   |   |   |   |   |   |   |   |   |   |   |   |   |   |   |    |
| rows display RAM | c            | b              | a  | f                        | g     | e     | d                | DP               |                  |                |       |                |                  |                |   |              |    |    |   |   |    |                |    |   |   |    |   |   |   |   |              |   |   |   |   |   |    |   |   |  |   |   |   |   |   |   |   |   |   |   |   |   |   |   |   |   |    |
| rows/backplane   | x            | x              | x  | x                        | x     | x     | x                | x                |                  |                |       |                |                  |                |   |              |    |    |   |   |    |                |    |   |   |    |   |   |   |   |              |   |   |   |   |   |    |   |   |  |   |   |   |   |   |   |   |   |   |   |   |   |   |   |   |   |    |
| outputs (BP)     | x            | x              | x  | x                        | x     | x     | x                | x                |                  |                |       |                |                  |                |   |              |    |    |   |   |    |                |    |   |   |    |   |   |   |   |              |   |   |   |   |   |    |   |   |  |   |   |   |   |   |   |   |   |   |   |   |   |   |   |   |   |    |
|                  | x            | x              | x  | x                        | x     | x     | x                | x                |                  |                |       |                |                  |                |   |              |    |    |   |   |    |                |    |   |   |    |   |   |   |   |              |   |   |   |   |   |    |   |   |  |   |   |   |   |   |   |   |   |   |   |   |   |   |   |   |   |    |
| c                | b            | a              | f  | g                        | e     | d     | DP               |                  |                  |                |       |                |                  |                |   |              |    |    |   |   |    |                |    |   |   |    |   |   |   |   |              |   |   |   |   |   |    |   |   |  |   |   |   |   |   |   |   |   |   |   |   |   |   |   |   |   |    |
| 1:2 multiplex    |              |                | <p>columns<br/>display RAM address/segment outputs (s)<br/>byte1</p> <table border="1"> <tr> <td></td> <td>n</td> <td>n + 1</td> <td>n + 2</td> <td>n + 3</td> </tr> <tr> <td>rows display RAM</td> <td>a</td> <td>f</td> <td>e</td> <td>d</td> </tr> <tr> <td>rows/backplane</td> <td>b</td> <td>g</td> <td>c</td> <td>DP</td> </tr> <tr> <td>outputs (BP)</td> <td>x</td> <td>x</td> <td>x</td> <td>x</td> </tr> <tr> <td></td> <td>x</td> <td>x</td> <td>x</td> <td>x</td> </tr> </table>   |                          | n     | n + 1 | n + 2            | n + 3            | rows display RAM | a              | f     | e              | d                | rows/backplane | b | g            | c  | DP | outputs (BP)  | x | x  | x              | x  |   | x | x  | x | x | <p>MSB</p> <p>LSB</p> <table border="1"> <tr> <td>a</td> <td>b</td> <td>f</td> <td>g</td> <td>e</td> <td>c</td> <td>d</td> <td>DP</td> </tr> </table> | a | b            | f | g | e | c | d | DP |   |   |  |   |   |   |   |   |   |   |   |   |   |   |   |   |   |   |   |    |
|                  | n            | n + 1          | n + 2  | n + 3                    |       |       |                  |                  |                  |                |       |                |                  |                |   |              |    |    |   |   |    |                |    |   |   |    |   |   |   |   |              |   |   |   |   |   |    |   |   |  |   |   |   |   |   |   |   |   |   |   |   |   |   |   |   |   |    |
| rows display RAM | a            | f              | e  | d                        |       |       |                  |                  |                  |                |       |                |                  |                |   |              |    |    |   |   |    |                |    |   |   |    |   |   |   |   |              |   |   |   |   |   |    |   |   |  |   |   |   |   |   |   |   |   |   |   |   |   |   |   |   |   |    |
| rows/backplane   | b            | g              | c  | DP                       |       |       |                  |                  |                  |                |       |                |                  |                |   |              |    |    |   |   |    |                |    |   |   |    |   |   |   |   |              |   |   |   |   |   |    |   |   |  |   |   |   |   |   |   |   |   |   |   |   |   |   |   |   |   |    |
| outputs (BP)     | x            | x              | x  | x                        |       |       |                  |                  |                  |                |       |                |                  |                |   |              |    |    |   |   |    |                |    |   |   |    |   |   |   |   |              |   |   |   |   |   |    |   |   |  |   |   |   |   |   |   |   |   |   |   |   |   |   |   |   |   |    |
|                  | x            | x              | x  | x                        |       |       |                  |                  |                  |                |       |                |                  |                |   |              |    |    |   |   |    |                |    |   |   |    |   |   |   |   |              |   |   |   |   |   |    |   |   |  |   |   |   |   |   |   |   |   |   |   |   |   |   |   |   |   |    |
| a                | b            | f              | g  | e                        | c     | d     | DP               |                  |                  |                |       |                |                  |                |   |              |    |    |   |   |    |                |    |   |   |    |   |   |   |   |              |   |   |   |   |   |    |   |   |  |   |   |   |   |   |   |   |   |   |   |   |   |   |   |   |   |    |
| 1:3 multiplex    |              |                | <p>columns<br/>display RAM address/segment outputs (s)<br/>byte1</p> <table border="1"> <tr> <td></td> <td>n</td> <td>n + 1</td> <td>n + 2</td> </tr> <tr> <td>rows display RAM</td> <td>b</td> <td>a</td> <td>f</td> </tr> <tr> <td>rows/backplane</td> <td>DP</td> <td>d</td> <td>e</td> </tr> <tr> <td>outputs (BP)</td> <td>c</td> <td>g</td> <td>x</td> </tr> <tr> <td></td> <td>x</td> <td>x</td> <td>x</td> </tr> </table>  |                          | n     | n + 1 | n + 2            | rows display RAM | b                | a              | f     | rows/backplane | DP               | d              | e | outputs (BP) | c  | g  | x   |   | x  | x              | x  | <p>MSB</p> <p>LSB</p> <table border="1"> <tr> <td>b</td> <td>DP</td> <td>c</td> <td>a</td> <td>d</td> <td>g</td> <td>f</td> <td>e</td> </tr> </table> | b | DP | c | a | d   | g | f            | e |   |   |   |   |    |   |   |  |   |   |   |   |   |   |   |   |   |   |   |   |   |   |   |   |    |
|                  | n            | n + 1          | n + 2  |                          |       |       |                  |                  |                  |                |       |                |                  |                |   |              |    |    |   |   |    |                |    |   |   |    |   |   |   |   |              |   |   |   |   |   |    |   |   |  |   |   |   |   |   |   |   |   |   |   |   |   |   |   |   |   |    |
| rows display RAM | b            | a              | f  |                          |       |       |                  |                  |                  |                |       |                |                  |                |   |              |    |    |   |   |    |                |    |   |   |    |   |   |   |   |              |   |   |   |   |   |    |   |   |  |   |   |   |   |   |   |   |   |   |   |   |   |   |   |   |   |    |
| rows/backplane   | DP           | d              | e  |                          |       |       |                  |                  |                  |                |       |                |                  |                |   |              |    |    |   |   |    |                |    |   |   |    |   |   |   |   |              |   |   |   |   |   |    |   |   |  |   |   |   |   |   |   |   |   |   |   |   |   |   |   |   |   |    |
| outputs (BP)     | c            | g              | x  |                          |       |       |                  |                  |                  |                |       |                |                  |                |   |              |    |    |   |   |    |                |    |   |   |    |   |   |   |   |              |   |   |   |   |   |    |   |   |  |   |   |   |   |   |   |   |   |   |   |   |   |   |   |   |   |    |
|                  | x            | x              | x  |                          |       |       |                  |                  |                  |                |       |                |                  |                |   |              |    |    |   |   |    |                |    |   |   |    |   |   |   |   |              |   |   |   |   |   |    |   |   |  |   |   |   |   |   |   |   |   |   |   |   |   |   |   |   |   |    |
| b                | DP           | c              | a  | d                        | g     | f     | e                |                  |                  |                |       |                |                  |                |   |              |    |    |   |   |    |                |    |   |   |    |   |   |   |   |              |   |   |   |   |   |    |   |   |  |   |   |   |   |   |   |   |   |   |   |   |   |   |   |   |   |    |
| 1:4 multiplex    |              |                | <p>columns<br/>display RAM address/segment outputs (s)<br/>byte1</p> <table border="1"> <tr> <td></td> <td>n</td> <td>n + 1</td> </tr> <tr> <td>rows display RAM</td> <td>a</td> <td>f</td> </tr> <tr> <td>rows/backplane</td> <td>c</td> <td>e</td> </tr> <tr> <td>outputs (BP)</td> <td>b</td> <td>g</td> </tr> <tr> <td></td> <td>DP</td> <td>d</td> </tr> </table>   |                          | n     | n + 1 | rows display RAM | a                | f                | rows/backplane | c     | e              | outputs (BP)     | b              | g |              | DP | d  | <p>MSB</p> <p>LSB</p> <table border="1"> <tr> <td>a</td> <td>c</td> <td>b</td> <td>DP</td> <td>f</td> <td>e</td> <td>g</td> <td>d</td> </tr> </table> | a | c  | b              | DP | f   | e | g  | d |   |   |   |              |   |   |   |   |   |    |   |   |  |   |   |   |   |   |   |   |   |   |   |   |   |   |   |   |   |    |
|                  | n            | n + 1          |  |                          |       |       |                  |                  |                  |                |       |                |                  |                |   |              |    |    |   |   |    |                |    |   |   |    |   |   |   |   |              |   |   |   |   |   |    |   |   |  |   |   |   |   |   |   |   |   |   |   |   |   |   |   |   |   |    |
| rows display RAM | a            | f              |  |                          |       |       |                  |                  |                  |                |       |                |                  |                |   |              |    |    |   |   |    |                |    |   |   |    |   |   |   |   |              |   |   |   |   |   |    |   |   |  |   |   |   |   |   |   |   |   |   |   |   |   |   |   |   |   |    |
| rows/backplane   | c            | e              |  |                          |       |       |                  |                  |                  |                |       |                |                  |                |   |              |    |    |   |   |    |                |    |   |   |    |   |   |   |   |              |   |   |   |   |   |    |   |   |  |   |   |   |   |   |   |   |   |   |   |   |   |   |   |   |   |    |
| outputs (BP)     | b            | g              |  |                          |       |       |                  |                  |                  |                |       |                |                  |                |   |              |    |    |   |   |    |                |    |   |   |    |   |   |   |   |              |   |   |   |   |   |    |   |   |  |   |   |   |   |   |   |   |   |   |   |   |   |   |   |   |   |    |
|                  | DP           | d              |  |                          |       |       |                  |                  |                  |                |       |                |                  |                |   |              |    |    |   |   |    |                |    |   |   |    |   |   |   |   |              |   |   |   |   |   |    |   |   |  |   |   |   |   |   |   |   |   |   |   |   |   |   |   |   |   |    |
| a                | c            | b              | DP   | f                        | e     | g     | d                |                  |                  |                |       |                |                  |                |   |              |    |    |   |   |    |                |    |   |   |    |   |   |   |   |              |   |   |   |   |   |    |   |   |  |   |   |   |   |   |   |   |   |   |   |   |   |   |   |   |   |    |

001aa|646

x = data bit unchanged

Fig 13. Relationships between LCD layout, drive mode, display RAM filling order, and display data transmitted over the I<sup>2</sup>C-bus

### 7.5.1 Data pointer

The addressing mechanism for the display RAM is realized using the data pointer. This allows the loading of an individual display data byte, or a series of display data bytes, into any location of the display RAM. The sequence commences with the initialization of the data pointer by the load-data-pointer command (see [Table 7 on page 7](#) and [Table 8 on page 7](#)). Following this command, an arriving data byte is stored at the display RAM address indicated by the data pointer. The filling order is shown in [Figure 13](#).

After each byte is stored, the content of the data pointer is automatically incremented by a value dependent on the selected LCD drive mode:

- In static drive mode by eight
- In 1:2 multiplex drive mode by four
- In 1:3 multiplex drive mode by three
- In 1:4 multiplex drive mode by two

If an I<sup>2</sup>C-bus data access is terminated early, then the state of the data pointer is unknown. The data pointer should be re-written before further RAM accesses.

### 7.5.2 Subaddress counter

The storage of display data is conditioned by the content of the subaddress counter. Storage is allowed only when the content of the subaddress counter matches with the hardware subaddress applied to A0 and A1. The subaddress counter value is defined by the device-select command (see [Table 9 on page 7](#)). If the content of the subaddress counter and the hardware subaddress do not match then data storage is inhibited but the data pointer is incremented as if data storage had taken place. The subaddress counter is also incremented when the data pointer overflows.

The storage arrangements described lead to extremely efficient data loading in cascaded applications. When a series of display bytes are sent to the display RAM, automatic wrap-over to the next PCA85132 occurs when the last RAM address is exceeded. Subaddressing across device boundaries is successful even if the change to the next device in the cascade occurs within a transmitted character.

The hardware subaddress must not be changed while the device is being accessed on the I<sup>2</sup>C-bus interface.

### 7.5.3 RAM writing in 1:3 multiplex drive mode

In 1:3 multiplex drive mode, the RAM is written as shown in [Table 16](#) (see [Figure 13](#) as well).



**Table 16. Standard RAM filling in 1:3 multiplex drive mode**

Assumption: BP2/S2, BP2/S5, BP2/S8 etc. **are not connected** to any elements on the display.

| Display RAM bits (rows)/ backplane outputs (BPn) | Display RAM addresses (columns)/segment outputs (Sn) |    |    |    |    |    |    |    |    |    |   |
|--|--|----|----|----|----|----|----|----|----|----|---|
|  | 0  | 1  | 2  | 3  | 4  | 5  | 6  | 7  | 8  | 9  | : |
| 0  | a7   | a4 | a1 | b7 | b4 | b1 | c7 | c4 | c1 | d7 | : |
| 1  | a6   | a3 | a0 | b6 | b3 | b0 | c6 | c3 | c0 | d6 | : |
| 2  | a5   | a2 | -  | b5 | b2 | -  | c5 | c2 | -  | d5 | : |
| 3  | -  | -  | -  | -  | -  | -  | -  | -  | -  | -  | : |

If the bit at position BP2/S2 would be written by a second byte transmitted, then the mapping of the segment bits would change as illustrated in [Table 17](#).

**Table 17. Entire RAM filling by rewriting in 1:3 multiplex drive mode**

Assumption: BP2/S2, BP2/S5, BP2/S8 etc. **are connected** to elements on the display.

| Display RAM bits (rows)/ backplane outputs (BPn) | Display RAM addresses (columns)/segment outputs (Sn) |    |       |    |       |    |       |    |       |    |   |
|--|--|----|-------|----|-------|----|-------|----|-------|----|---|
|  | 0  | 1  | 2     | 3  | 4     | 5  | 6     | 7  | 8     | 9  | : |
| 0  | a7   | a4 | a1/b7 | b4 | b1/c7 | c4 | c1/d7 | d4 | d1/e7 | e4 | : |
| 1  | a6   | a3 | a0/b6 | b3 | b0/c6 | c3 | c0/d6 | d3 | d0/e6 | e3 | : |
| 2  | a5   | a2 | b5    | b2 | c5    | c2 | d5    | d2 | e5    | e2 | : |
| 3  | -  | -  | -     | -  | -     | -  | -     | -  | -     | -  | : |

In the case described in [Table 17](#) the RAM has to be written entirely and BP2/S2, BP2/S5, BP2/S8, and so on, have to be connected to elements on the display. This can be achieved by a combination of writing and rewriting the RAM like follows:

- In the first write to the RAM, bits a7 to a0 are written
- The data-pointer (see [Section 7.1.2 on page 7](#)) has to be set to the address of bit a1
- In the second write, bits b7 to b0 are written, overwriting bits a1 and a0 with bits b7 and b6
- The data-pointer has to be set to the address of bit b1
- In the third write, bits c7 to c0 are written, overwriting bits b1 and b0 with bits c7 and c6

Depending on the method of writing to the RAM (standard or entire filling by rewriting), some elements remain unused or can be used, but it has to be considered in the module layout process as well as in the driver software design.

### 7.5.4 Bank selection

#### 7.5.4.1 Output bank selector

The output bank selector (see [Table 10 on page 7](#)) selects one of the four rows per display RAM address for transfer to the display register. The actual row selected depends on the particular LCD drive mode in operation and on the instant in the multiplex sequence.

- In 1:4 multiplex mode, all RAM addresses of row 0 are selected, followed by the contents of row 1, row 2, and then row 3
- In 1:3 multiplex mode, rows 0, 1, and 2 are selected sequentially

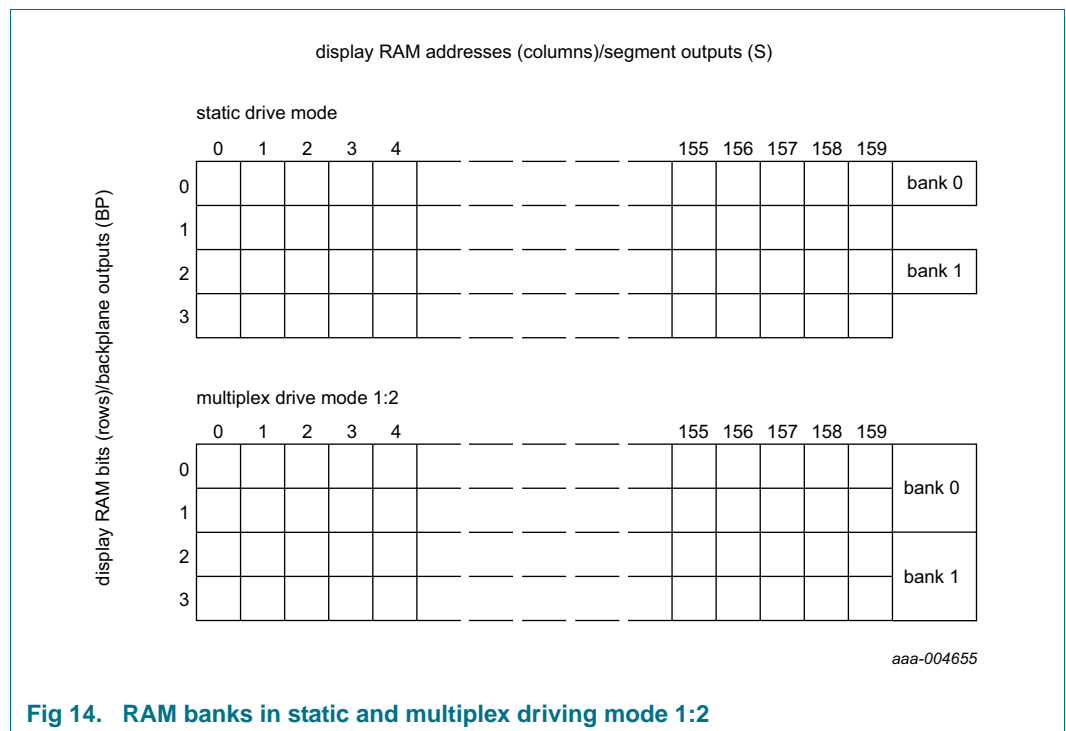
- In 1:2 multiplex mode, rows 0 and 1 are selected
- In static mode, row 0 is selected

**7.5.4.2 Input bank selector**

The input bank selector loads display data into the display RAM in accordance with the selected LCD drive configuration. Display data can be loaded by using the bank-select command (see [Table 10](#)). The input bank selector functions independently to the output bank selector.

**7.5.4.3 RAM bank switching**

The PCA85132 includes a RAM bank switching feature in the static and 1:2 multiplex drive modes. A bank can be thought of as one RAM row or a collection of RAM rows (see [Figure 14](#)). The RAM bank switching gives the provision for preparing display information in an alternative bank and to be able to switch to it once it is complete.



There are two banks; bank 0 and bank 1. [Figure 14](#) shows the location of these banks relative to the RAM map. Input and output banks can be set independently from one another with the Bank-select command (see [Table 10 on page 7](#)). [Figure 15](#) shows the concept.

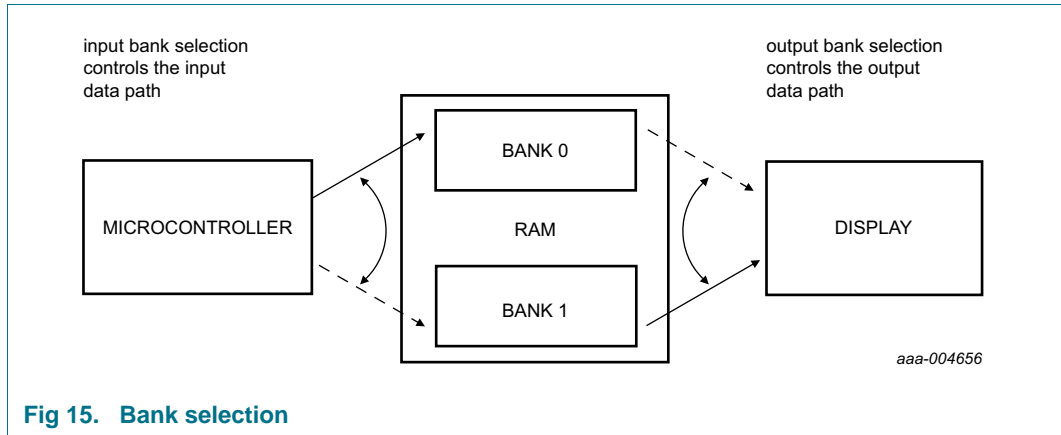


Fig 15. Bank selection

In the static drive mode, the bank-select command may request the contents of row 2 to be selected for display instead of the contents of row 0. In the 1:2 multiplex mode, the contents of rows 2 and 3 may be selected instead of rows 0 and 1. This gives the provision for preparing display information in an alternative bank and to be able to switch to it once it is assembled.

In [Figure 16](#) an example is shown for 1:2 multiplex drive mode where the displayed data is read from the first two rows of the memory (bank 0), while the transmitted data is stored in the second two rows of the memory (bank 1).

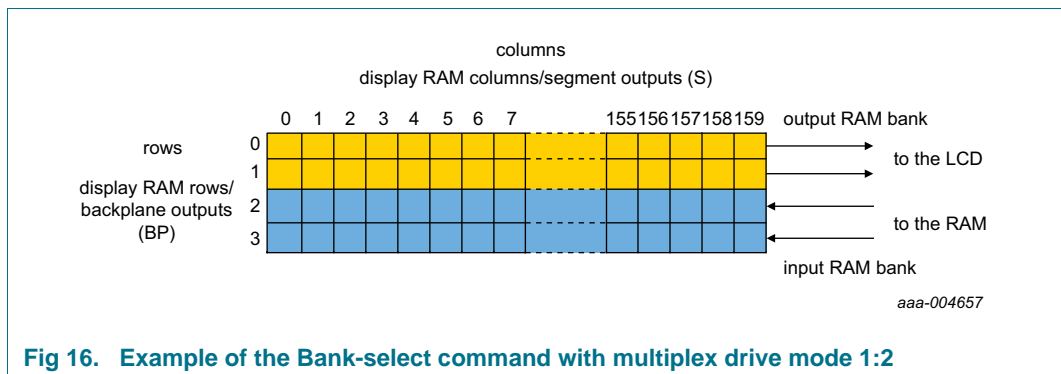


Fig 16. Example of the Bank-select command with multiplex drive mode 1:2

## 8. Characteristics of the I<sup>2</sup>C-bus

The I<sup>2</sup>C-bus is for bidirectional, two-line communication between different ICs or modules. The two lines are a Serial Data line (SDA) and a Serial Clock line (SCL). Both lines must be connected to a positive supply via a pull-up resistor when connected to the output stages of a device. Data transfer may be initiated only when the bus is not busy.

By connecting pin SDAACK to pin SDA on the PCA85132, the SDA line becomes fully I<sup>2</sup>C-bus compatible. In COG applications where the track resistance from the SDAACK pin to the system SDA line can be significant, possibly a voltage divider is generated by the bus pull-up resistor and the Indium Tin Oxide (ITO) track resistance. As a consequence, it may be possible that the acknowledge generated by the PCA85132 cannot be interpreted as logic 0 by the master. In COG applications where the

acknowledge cycle is required, it is therefore necessary to minimize the track resistance from the SDAACK pin to the system SDA line to guarantee a valid LOW level (see [Section 14.2 on page 42](#)).

By separating the acknowledge output from the serial data line (having the SDAACK open circuit) design efforts to generate a valid acknowledge level can be avoided. However, in that case the I<sup>2</sup>C-bus master has to be set up in such a way that it ignores the acknowledge cycle.<sup>2</sup>

The following definition assumes that SDA and SDAACK are connected and refers to the pair as SDA.

### 8.1 Bit transfer

One data bit is transferred during each clock pulse. The data on the SDA line must remain stable during the HIGH period of the clock pulse as changes in the data line at this time are interpreted as a control signal (see [Figure 17](#)).

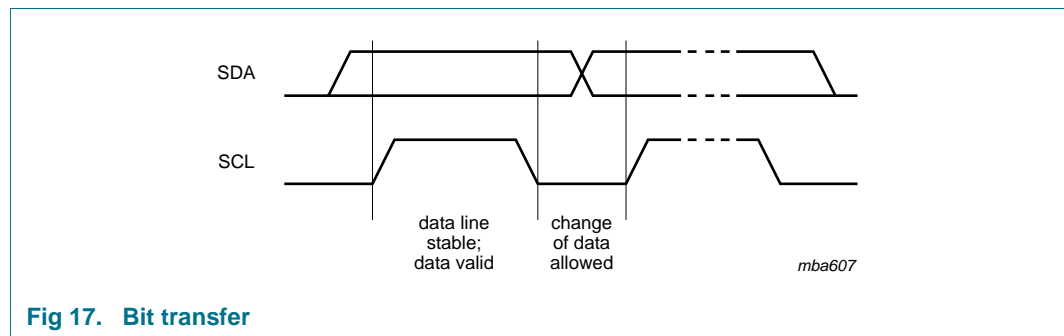


Fig 17. Bit transfer

#### 8.1.1 START and STOP conditions

Both data and clock lines remain HIGH when the bus is not busy. A HIGH-to-LOW change of the data line, while the clock is HIGH is defined as the START condition (S). A LOW-to-HIGH change of the data line while the clock is HIGH is defined as the STOP condition (P). The START and STOP conditions are shown in [Figure 18](#).

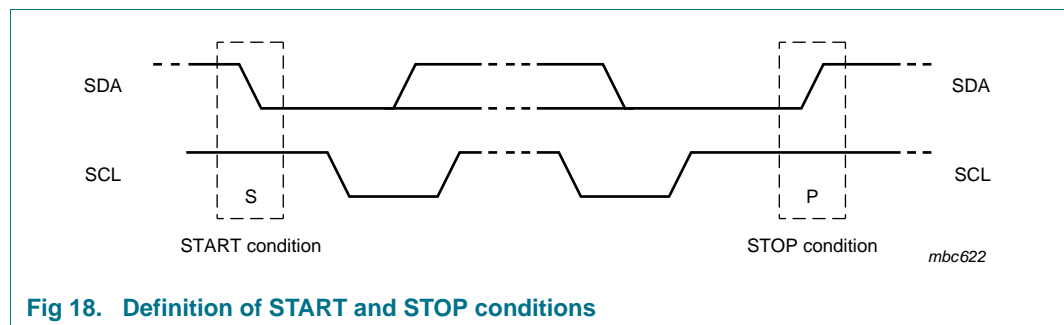


Fig 18. Definition of START and STOP conditions

### 8.2 System configuration

A device generating a message is a transmitter; a device receiving a message is the receiver. The device that controls the message is the master and the devices which are controlled by the master are the slaves. The system configuration is shown in [Figure 19](#).

2. For further information, please consider the NXP application note: [Ref. 1 "AN10170"](#).

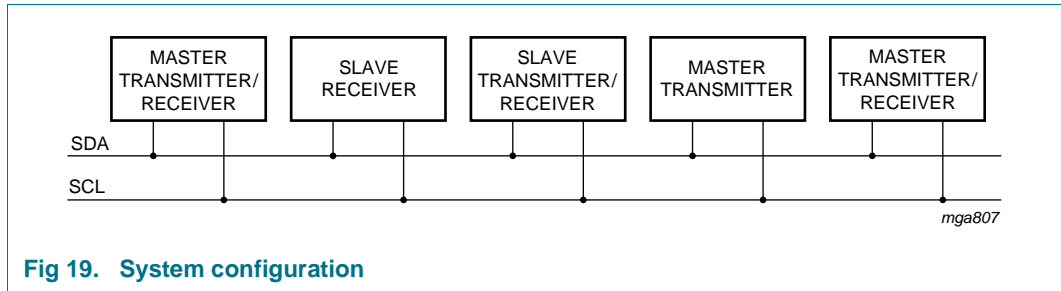


Fig 19. System configuration

### 8.3 Acknowledge

The number of data bytes transferred between the START and STOP conditions from transmitter to receiver is unlimited. Each byte of 8 bits is followed by an acknowledge cycle.

- A slave receiver which is addressed must generate an acknowledge after the reception of each byte.
- Also a master receiver must generate an acknowledge after the reception of each byte that has been clocked out of the slave transmitter.
- The device that acknowledges must pull-down the SDA line during the acknowledge clock pulse, so that the SDA line is stable LOW during the HIGH period of the acknowledge related clock pulse (set-up and hold times must be considered).
- A master receiver must signal an end of data to the transmitter by not generating an acknowledge on the last byte that has been clocked out of the slave. In this event, the transmitter must leave the data line HIGH to enable the master to generate a STOP condition.

Acknowledgement on the I<sup>2</sup>C-bus is shown in [Figure 20](#).

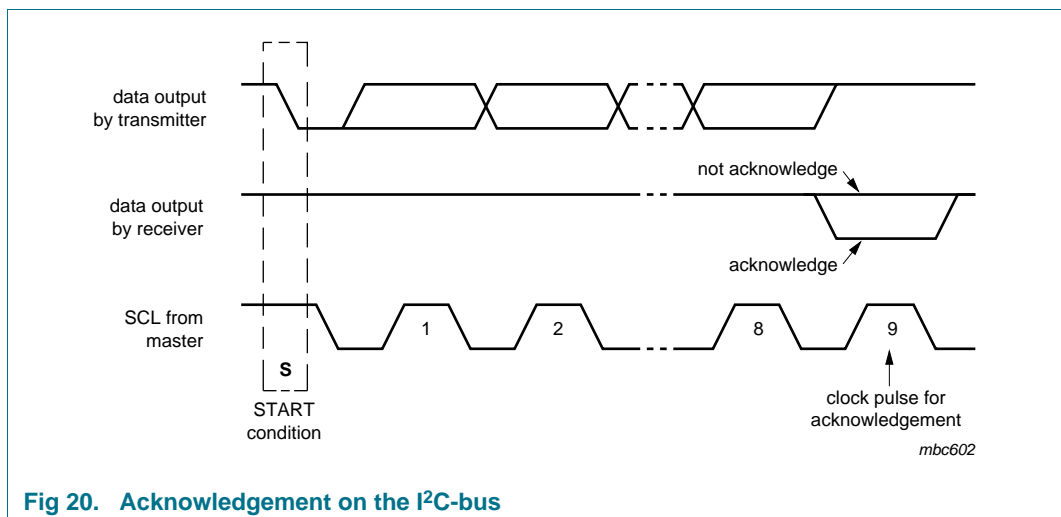


Fig 20. Acknowledgement on the I<sup>2</sup>C-bus

## 8.4 I<sup>2</sup>C-bus controller

The PCA85132 acts as an I<sup>2</sup>C-bus slave receiver. It does not initiate I<sup>2</sup>C-bus transfers or transmit data to an I<sup>2</sup>C-bus master receiver. The only data output from the PCA85132 is the acknowledge signal. Device selection depends on the I<sup>2</sup>C-bus slave address, on the transferred command data, and on the hardware subaddress.

In single device applications, the hardware subaddress inputs A0 and A1 are normally tied to V<sub>SS</sub> which defines the hardware subaddress 0. In multiple device applications A0 and A1 are tied to V<sub>SS</sub> or V<sub>DD</sub> in accordance with a binary coding scheme. No two devices with a common I<sup>2</sup>C-bus slave address must have the same hardware subaddress.

## 8.5 Input filters

To enhance noise immunity in electrical adverse environments, RC low-pass filters are provided on the SDA and SCL lines.

## 8.6 I<sup>2</sup>C-bus protocol

Two I<sup>2</sup>C-bus slave addresses (0111 000 and 0111 001) are reserved for the PCA85132. The entire I<sup>2</sup>C-bus slave address byte is shown in [Table 18](#).

**Table 18.** I<sup>2</sup>C slave address byte

|     |     | Slave address |   |   |   |   |     |     |  |
|-----|-----|---------------|---|---|---|---|-----|-----|--|
| Bit | 7   | 6             | 5 | 4 | 3 | 2 | 1   | 0   |  |
|     | MSB |               |   |   |   |   |     | LSB |  |
|     | 0   | 1             | 1 | 1 | 0 | 0 | SA0 | R/W |  |

The PCA85132 is a write-only device and does not respond to a read access, therefore bit 0 should always be logic 0. Bit 1 of the slave address byte, that a PCA85132 responds to, is defined by the level tied to its SA0 input (V<sub>SS</sub> for logic 0 and V<sub>DD</sub> for logic 1).

Having two reserved slave addresses allows the following on the same I<sup>2</sup>C-bus:

- Up to 8 PCA85132 on the same I<sup>2</sup>C-bus for very large LCD applications
- The use of two types of LCD multiplex drive modes on the same I<sup>2</sup>C-bus

The I<sup>2</sup>C-bus protocol is shown in [Figure 21](#). The sequence is initiated with a START condition (S) from the I<sup>2</sup>C-bus master which is followed by one of two possible PCA85132 slave addresses available. All PCA85132 with the corresponding SA0 level acknowledge in parallel to the slave address, but all PCA85132 with the alternative SA0 level ignore the whole I<sup>2</sup>C-bus transfer.

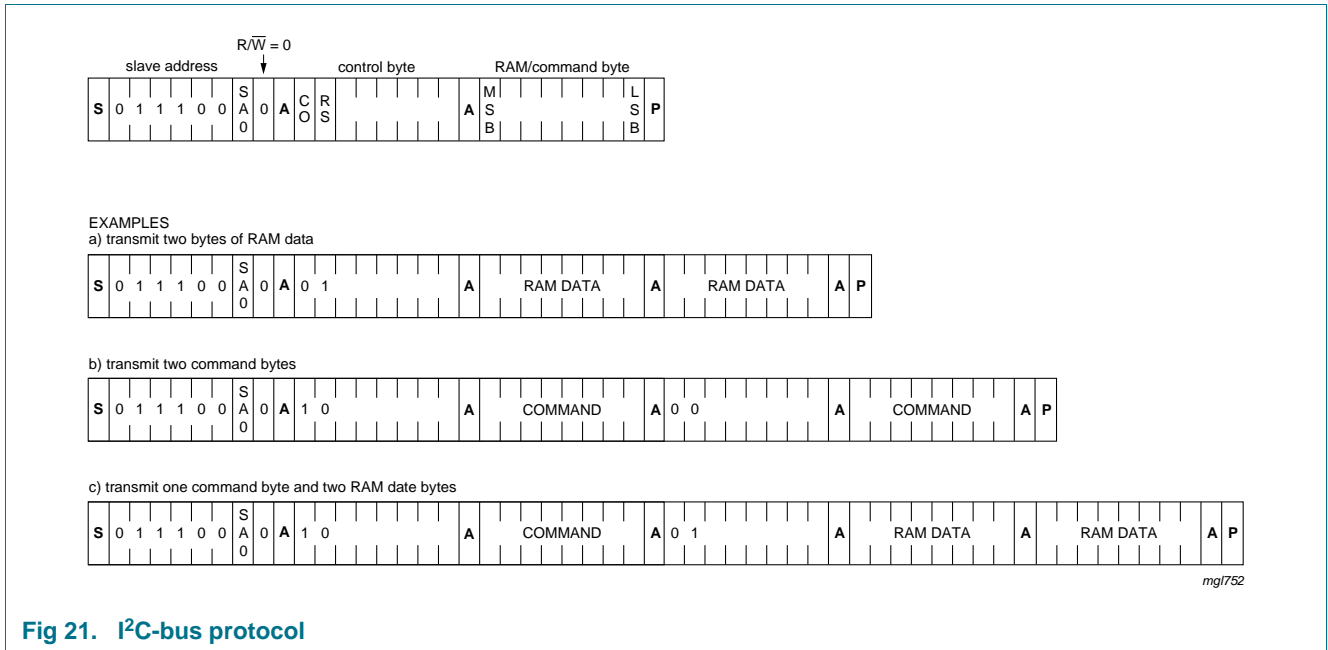


Fig 21. I<sup>2</sup>C-bus protocol

After acknowledgement, a control byte follows which defines if the next byte is RAM or command information.

Table 19. Control byte description

| Bit    | Symbol | Value | Description               |
|--------|--------|-------|---------------------------|
| 7      | CO     |       | <b>continue bit</b>       |
|        |        | 0     | last control byte         |
|        |        | 1     | control bytes continue    |
| 6      | RS     |       | <b>register selection</b> |
|        |        | 0     | command register          |
|        |        | 1     | data register             |
| 5 to 0 | -      | -     | not relevant              |

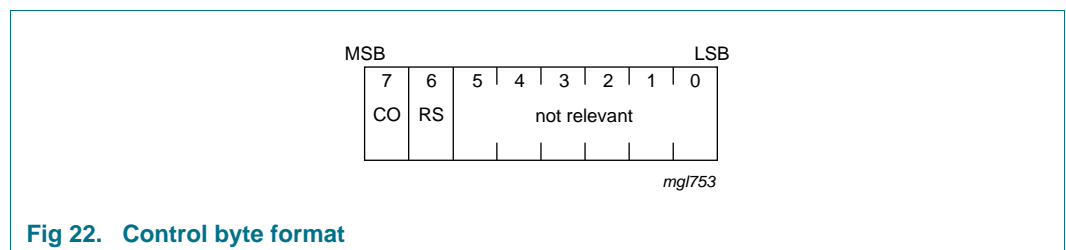


Fig 22. Control byte format

In this way, it is possible to configure the device and then fill the display RAM with little overhead.

The command bytes and control bytes are also acknowledged by all addressed PCA85132 connected to the bus.

The display bytes are stored in the display RAM at the address specified by the data pointer and the subaddress counter; see [Section 7.5.1](#) and [Section 7.5.2](#).

The acknowledgement after each byte is made only by the (A0 and A1) addressed PCA85132. After the last (display) byte, the I<sup>2</sup>C-bus master issues a STOP condition (P). Alternatively a repeated START may be asserted to restart an I<sup>2</sup>C-bus access.



9. Internal circuitry

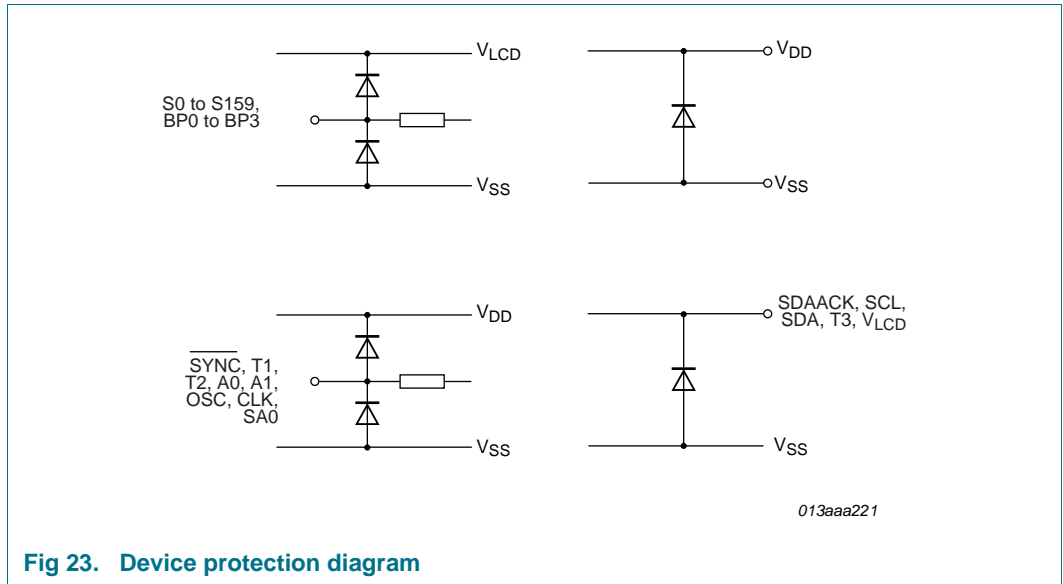


Fig 23. Device protection diagram

10. Safety notes

CAUTION



This device is sensitive to ElectroStatic Discharge (ESD). Observe precautions for handling electrostatic sensitive devices. Such precautions are described in the *ANSI/ESD S20.20*, *IEC/ST 61340-5*, *JESD625-A* or equivalent standards.

CAUTION



Static voltages across the liquid crystal display can build up when the LCD supply voltage ( $V_{LCD}$ ) is on while the IC supply voltage ( $V_{DD}$ ) is off, or vice versa. This may cause unwanted display artifacts. To avoid such artifacts,  $V_{LCD}$  and  $V_{DD}$  must be applied or removed together.

CAUTION



Semiconductors are light sensitive. Exposure to light sources can cause the IC to malfunction. The IC must be protected against light. The protection must be applied to all sides of the IC.

## 11. Limiting values

**Table 20. Limiting values**

In accordance with the Absolute Maximum Rating System (IEC 60134).<sup>[1]</sup>

| Symbol               | Parameter                       | Conditions  | Min            | Max   | Unit |
|----------------------|---------------------------------|---|----------------|-------|------|
| V <sub>DD</sub>      | supply voltage                  |   | -0.5           | +6.5  | V    |
| I <sub>DD</sub>      | supply current                  |   | -50            | +50   | mA   |
| V <sub>LCD</sub>     | LCD supply voltage              |   | -0.5           | +9.0  | V    |
| I <sub>DD(LCD)</sub> | LCD supply current              |   | -50            | +50   | mA   |
| V <sub>i</sub>       | input voltage                   | on pins CLK, SYNC, SA0, OSC, SDA, SCL, A0, A1, T1, T2, and T3 | -0.5           | +6.5  | V    |
| I <sub>I</sub>       | input current                   |   | -10            | +10   | mA   |
| V <sub>O</sub>       | output voltage                  | on pins S0 to S159 and BP0 to BP3                             | -0.5           | +9.0  | V    |
|                      |                                 | on pins SDAACK, CLK, SYNC                                     | -0.5           | +6.5  | V    |
| I <sub>O</sub>       | output current                  |   | -10            | +10   | mA   |
| I <sub>SS</sub>      | ground supply current           |   | -50            | +50   | mA   |
| P <sub>tot</sub>     | total power dissipation         |   | -              | 400   | mW   |
| P/out                | power dissipation per output    |   | -              | 100   | mW   |
| V <sub>ESD</sub>     | electrostatic discharge voltage | HBM <sup>[2]</sup>  | -              | ±4500 | V    |
|                      |                                 | MM <sup>[3]</sup>   | -              | ±300  | V    |
| I <sub>lu</sub>      | latch-up current                |   | <sup>[4]</sup> | 200   | mA   |
| T <sub>stg</sub>     | storage temperature             |   | <sup>[5]</sup> | +150  | °C   |
| T <sub>amb</sub>     | ambient temperature             | operating device  | -40            | +95   | °C   |

[1] Stresses above these values listed may cause permanent damage to the device.

[2] Pass level; Human Body Model (HBM) according to [Ref. 6 "JESD22-A114"](#).

[3] Pass level; Machine Model (MM), according to [Ref. 7 "JESD22-A115"](#).

[4] Pass level; latch-up testing, according to [Ref. 8 "JESD78"](#) at maximum ambient temperature (T<sub>amb(max)</sub>).

[5] According to the store and transport requirements (see [Ref. 11 "UM10569"](#)) the devices have to be stored at a temperature of +8 °C to +45 °C and a humidity of 25 % to 75 %.

## 12. Static characteristics

**Table 21. Static characteristics**

$V_{DD} = 1.8\text{ V to }5.5\text{ V}$ ;  $V_{SS} = 0\text{ V}$ ;  $V_{LCD} = 1.8\text{ V to }8.0\text{ V}$ ;  $T_{amb} = -40\text{ °C to }+95\text{ °C}$ ; unless otherwise specified.

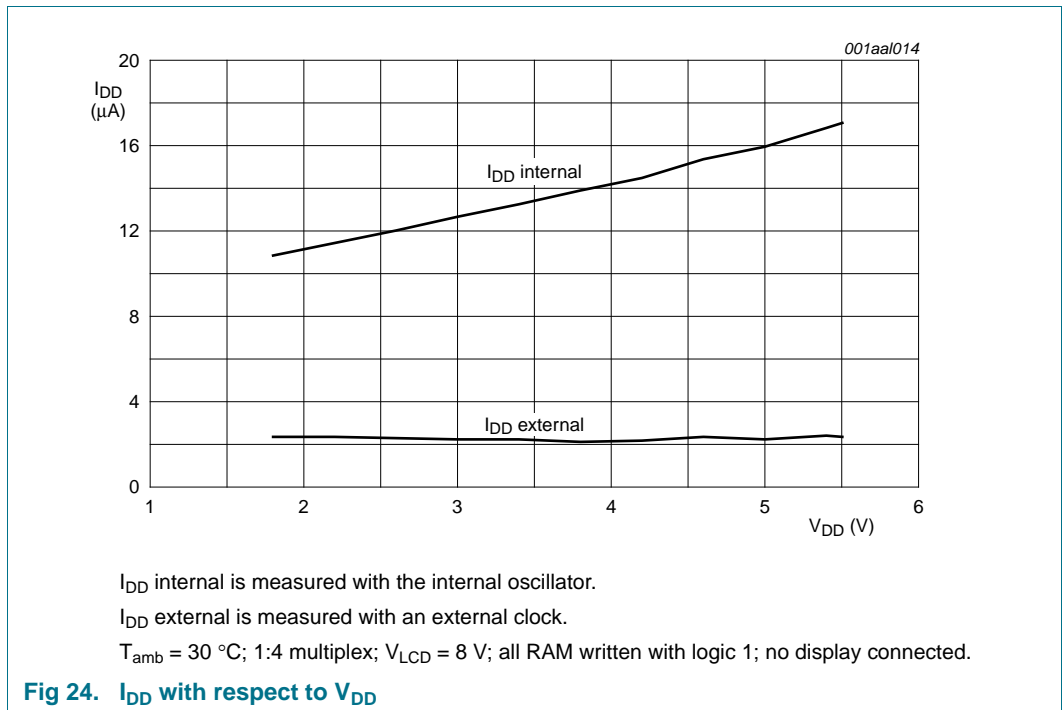
| Symbol                           | Parameter   | Conditions   | Min         | Typ | Max            | Unit          |
|----------------------------------|---|--|-------------|-----|----------------|---------------|
| <b>Supplies</b>                  |   |  |             |     |                |               |
| $V_{DD}$                         | supply voltage  |  | 1.8         | -   | 5.5            | V             |
| $V_{LCD}$                        | LCD supply voltage                                    |  | 1.8         | -   | 8.0            | V             |
| $I_{DD}$                         | supply current  | $f_{clk(ext)} = 1.800\text{ kHz}$ <a href="#">[1][2][3]</a>                                  | -           | -   | 20             | $\mu\text{A}$ |
|                                  |   | with internal oscillator running <a href="#">[1][3]</a>                                      | -           | -   | 60             | $\mu\text{A}$ |
| $I_{DD(LCD)}$                    | LCD supply current                                    | $f_{clk(ext)} = 1.800\text{ kHz}$ <a href="#">[1][2][4]</a>                                  | -           | -   | 70             | $\mu\text{A}$ |
|                                  |   | with internal oscillator running <a href="#">[1][4]</a>                                      | -           | -   | 70             | $\mu\text{A}$ |
| <b>Logic</b> <a href="#">[5]</a> |   |  |             |     |                |               |
| $V_I$                            | input voltage   | on pins SDA and SCL  | -0.5        | -   | +5.5           | V             |
|                                  |   | all other input pins   | -0.5        | -   | $V_{DD} + 0.5$ | V             |
| $V_{IH}$                         | HIGH-level input voltage                              | on pins CLK, $\overline{\text{SYNC}}$ , OSC, A0, A1, SA0, SCL, and SDA                       | $0.7V_{DD}$ | -   | -              | V             |
| $V_{IL}$                         | LOW-level input voltage                               | on pins CLK, $\overline{\text{SYNC}}$ , OSC, A0, A1, SA0, SCL, and SDA                       | -           | -   | $0.3V_{DD}$    | V             |
| $V_O$                            | output voltage  | on pins CLK and $\overline{\text{SYNC}}$   | -0.5        | -   | $V_{DD} + 0.5$ | V             |
|                                  |   | on pin SDAACK  | -0.5        | -   | +5.5           | V             |
| $V_{OH}$                         | HIGH-level output voltage                             | on pin $\overline{\text{SYNC}}$ , CLK  | $0.8V_{DD}$ | -   | $V_{DD}$       | V             |
| $V_{OL}$                         | LOW-level output voltage                              | on pin $\overline{\text{SYNC}}$ , CLK, SDAACK  | $V_{SS}$    | -   | $0.2V_{DD}$    | V             |
| $I_{OH}$                         | HIGH-level output current                             | output source current;<br>$V_{OH} = 4.6\text{ V}$ ;<br>$V_{DD} = 5\text{ V}$ ;<br>on pin CLK | 1.5         | -   | -              | mA            |
| $I_{OL}$                         | LOW-level output current                              | output sink current;<br>on pins CLK and $\overline{\text{SYNC}}$                             |             |     |                |               |
|                                  |   | $V_{OL} = 0.4\text{ V}$ ;<br>$V_{DD} = 5\text{ V}$   | 1.5         | -   | -              | mA            |
|                                  |   | on pin SDAACK  |             |     |                |               |
|                                  |   | $V_{DD} \leq 2\text{ V}$ ;<br>$V_{OL} = 0.2V_{DD}$   | 3           | -   | -              | mA            |
|                                  |   | $2\text{ V} < V_{DD} < 3\text{ V}$ ;<br>$V_{OL} = 0.4\text{ V}$                              | 3           | -   | -              | mA            |
|                                  | $V_{DD} \geq 3\text{ V}$ ;<br>$V_{OL} = 0.4\text{ V}$ | 6  | -           | -   | mA             |               |
| $V_{POR}$                        | power-on reset voltage                                |  | 1.0         | 1.3 | 1.6            | V             |
| $I_L$                            | leakage current                                       | $V_I = V_{DD}$ or $V_{SS}$ ;<br>on pin OSC, CLK, A0, A1, SA0, SDA,<br>and SCL                | -1          | -   | +1             | $\mu\text{A}$ |

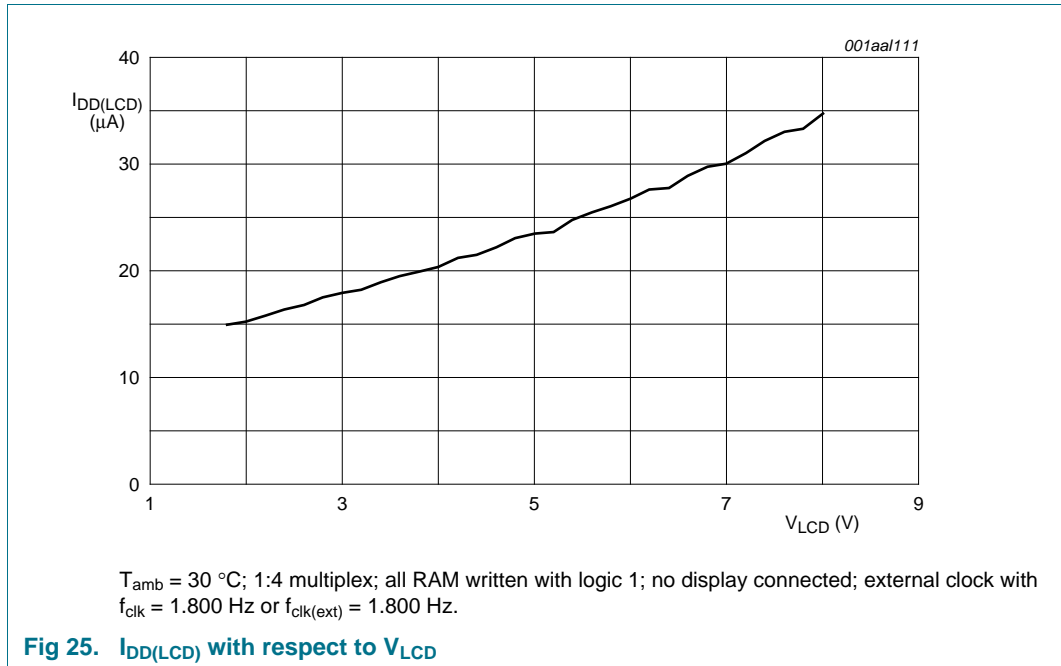
**Table 21. Static characteristics ...continued**

$V_{DD} = 1.8\text{ V to }5.5\text{ V}$ ;  $V_{SS} = 0\text{ V}$ ;  $V_{LCD} = 1.8\text{ V to }8.0\text{ V}$ ;  $T_{amb} = -40\text{ }^{\circ}\text{C to }+95\text{ }^{\circ}\text{C}$ ; unless otherwise specified.

| Symbol             | Parameter                | Conditions                               | Min | Typ | Max | Unit      |
|--------------------|--------------------------|--|-----|-----|-----|-----------|
| <b>LCD outputs</b> |                          |  |     |     |     |           |
| $\Delta V_O$       | output voltage variation | on pins BP0 to BP3 and S0 to S159 [6][7] | -30 | -   | +30 | mV        |
| $R_O$              | output resistance        | $V_{LCD} = 5\text{ V}$                   |     |     |     |           |
|                    |                          | on pins BP0 to BP3                       | -   | 1.5 | 5   | $k\Omega$ |
|                    |                          | on pins S0 to S159                       | -   | 2.0 | 5   | $k\Omega$ |

- [1] LCD outputs are open-circuit; inputs at  $V_{SS}$  or  $V_{DD}$ ; I<sup>2</sup>C-bus inactive;  $V_{LCD} = 8.0\text{ V}$ ,  $V_{DD} = 5.0\text{ V}$  and RAM written with all logic 1.
- [2] External clock with 50 % duty factor.
- [3] For typical values, see [Figure 24](#).
- [4] For typical values, see [Figure 25](#).
- [5] The I<sup>2</sup>C-bus interface of PCA85132 is 5 V tolerant.
- [6] Variation between any 2 backplanes on a given voltage level; static measured.
- [7] Variation between any 2 segments on a given voltage level; static measured.





## 13. Dynamic characteristics

**Table 22. Dynamic characteristics**
 $V_{DD} = 1.8\text{ V to }5.5\text{ V}; V_{SS} = 0\text{ V}; V_{LCD} = 1.8\text{ V to }8.0\text{ V}; T_{amb} = -40\text{ }^{\circ}\text{C to }+95\text{ }^{\circ}\text{C};$  unless otherwise specified.

| Symbol   | Parameter   | Conditions   | Min            | Typ  | Max  | Unit          |
|--|---|--|----------------|------|------|---------------|
| $f_{\text{clk(int)}}$                                | internal clock frequency  | on pin CLK;<br>display enabled;<br>$V_{DD} = 5\text{ V} \pm 0.5\text{ V}$          | [1][2][3] 1600 | 1800 | 2060 | Hz            |
| $f_{\text{clk(ext)}}$                                | external clock frequency  |  | [4] 700        | -    | 5000 | Hz            |
| $t_{\text{clk(H)}}$                                  | HIGH-level clock time   | external clock source used   | 100            | -    | -    | $\mu\text{s}$ |
| $t_{\text{clk(L)}}$                                  | LOW-level clock time  | external clock source used   | 100            | -    | -    | $\mu\text{s}$ |
| $\Delta f_{\text{fr}}$                               | frame frequency variation   | $V_{DD} = 5\text{ V} \pm 0.5\text{ V}$   |                |      |      |               |
|  |   | $f_{\text{fr}} = 75\text{ Hz};$<br>$T_{\text{amb}} = 30\text{ }^{\circ}\text{C}$   | -3.9           | -    | +3.9 | %             |
|  |   | $f_{\text{fr}} = 70.3\text{ Hz};$<br>$T_{\text{amb}} = 95\text{ }^{\circ}\text{C}$ | -5.2           | -    | +5.2 | %             |
|  |   | $f_{\text{fr}} = 80\text{ Hz};$<br>$T_{\text{amb}} = -40\text{ }^{\circ}\text{C}$  | -6.3           | -    | +7.3 | %             |
| $t_{\text{PD(SYNC\_N)}}$                             | $\overline{\text{SYNC}}$ propagation delay                        |  | -              | 30   | -    | ns            |
| $t_{\text{SYNC\_NL}}$                                | $\overline{\text{SYNC}}$ LOW time                                 |  | 100            | -    | -    | $\mu\text{s}$ |
| $t_{\text{PD(drv)}}$                                 | driver propagation delay  | $V_{LCD} = 5\text{ V}$   | -              | 10   | -    | $\mu\text{s}$ |
| <b>Timing characteristics: I<sup>2</sup>C-bus[5]</b> |   |  |                |      |      |               |
| $f_{\text{SCL}}$                                     | SCL clock frequency   |  | -              | -    | 400  | kHz           |
| $t_{\text{BUF}}$                                     | bus free time between a STOP and START condition                  |  | 1.3            | -    | -    | $\mu\text{s}$ |
| $t_{\text{HD;STA}}$                                  | hold time (repeated) START condition                              |  | 0.6            | -    | -    | $\mu\text{s}$ |
| $t_{\text{SU;STA}}$                                  | set-up time for a repeated START condition                        |  | 0.6            | -    | -    | $\mu\text{s}$ |
| $t_{\text{VD;ACK}}$                                  | data valid acknowledge time                                       |  | -              | -    | 0.9  | $\mu\text{s}$ |
| $t_{\text{LOW}}$                                     | LOW period of the SCL clock                                       |  | 1.3            | -    | -    | $\mu\text{s}$ |
| $t_{\text{HIGH}}$                                    | HIGH period of the SCL clock                                      |  | 0.6            | -    | -    | $\mu\text{s}$ |
| $t_{\text{f}}$                                       | fall time   | of both SDA and SCL signals  | -              | -    | 0.3  | $\mu\text{s}$ |
| $t_{\text{r}}$                                       | rise time   | of both SDA and SCL signals  | -              | -    | 0.3  | $\mu\text{s}$ |
| $C_{\text{b}}$                                       | capacitive load for each bus line                                 |  | -              | -    | 400  | pF            |
| $t_{\text{SU;DAT}}$                                  | data set-up time  |  | 200            | -    | -    | ns            |
| $t_{\text{HD;DAT}}$                                  | data hold time  |  | 0              | -    | -    | ns            |
| $t_{\text{SU;STO}}$                                  | set-up time for STOP condition                                    |  | 0.6            | -    | -    | $\mu\text{s}$ |
| $t_{\text{SP}}$                                      | pulse width of spikes that must be suppressed by the input filter |  | -              | -    | 50   | ns            |

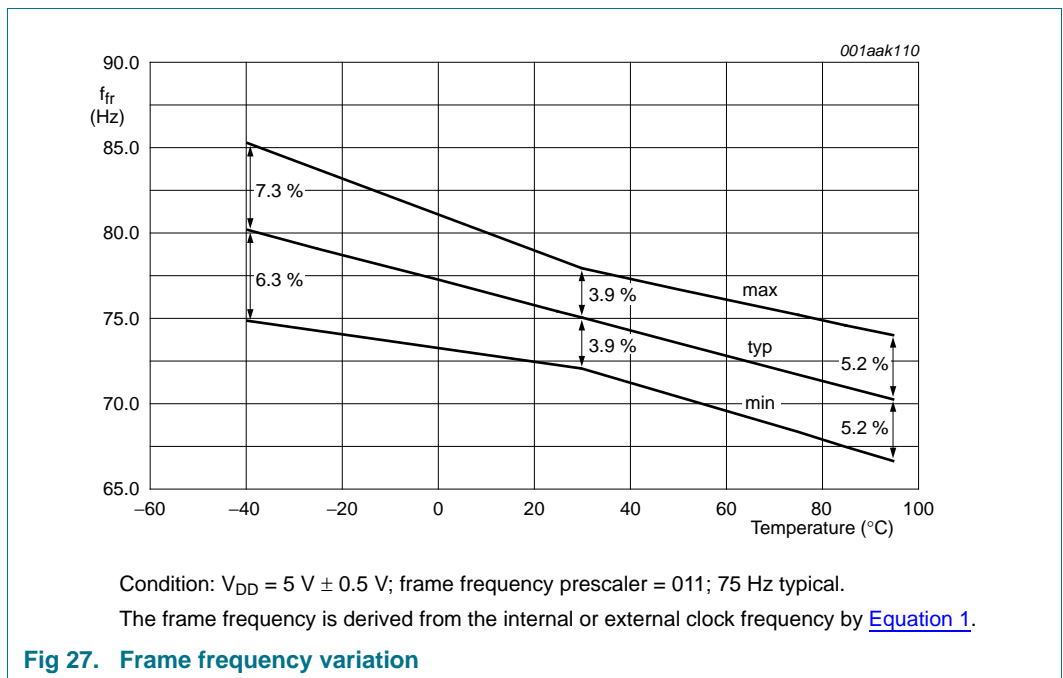
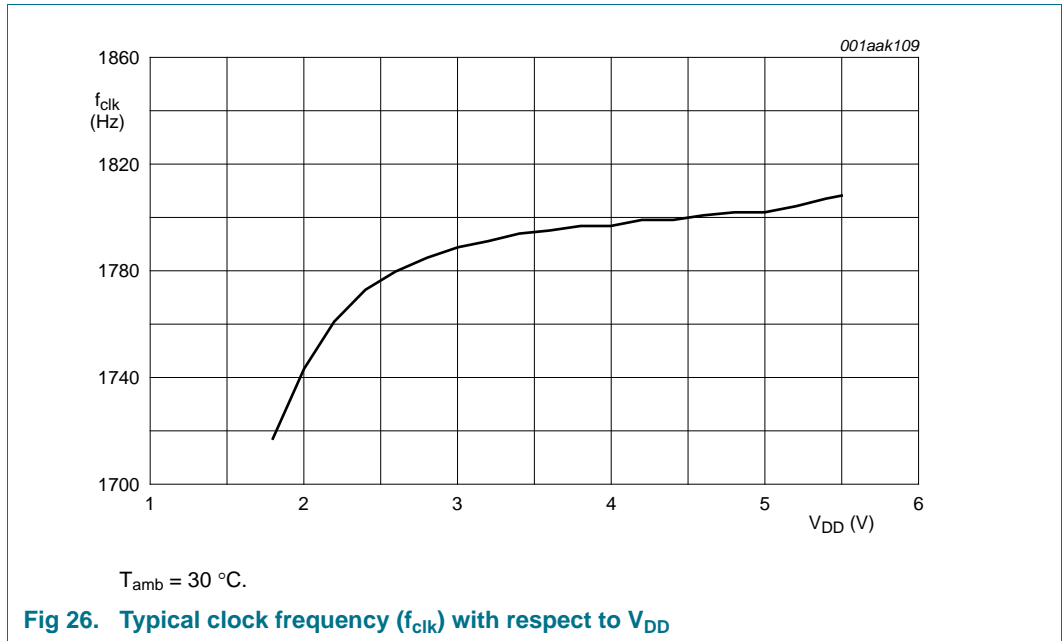
[1] Typical output duty factor: 50 % measured at the CLK output pin.

[2] For the respective frame frequency  $f_{\text{fr}}$ , see [Table 12](#).

[3] For the characteristics of  $V_{DD}$  at a fixed temperature or of the temperature at a fixed  $V_{DD}$ , see [Figure 26](#) and [Figure 27](#).

[4] For  $f_{\text{clk(ext)}} > 4\text{ kHz}$ , it is recommended to use an external pull-up resistor between pin  $\overline{\text{SYNC}}$  and pin  $V_{DD}$ . The value of the resistor should be between 100 k $\Omega$  and 1 M $\Omega$ .

[5] All timing values are valid within the operating supply voltage and ambient temperature range and are referenced to  $V_{\text{IL}}$  and  $V_{\text{IH}}$  with an input voltage swing of  $V_{\text{SS}}$  to  $V_{\text{DD}}$ .



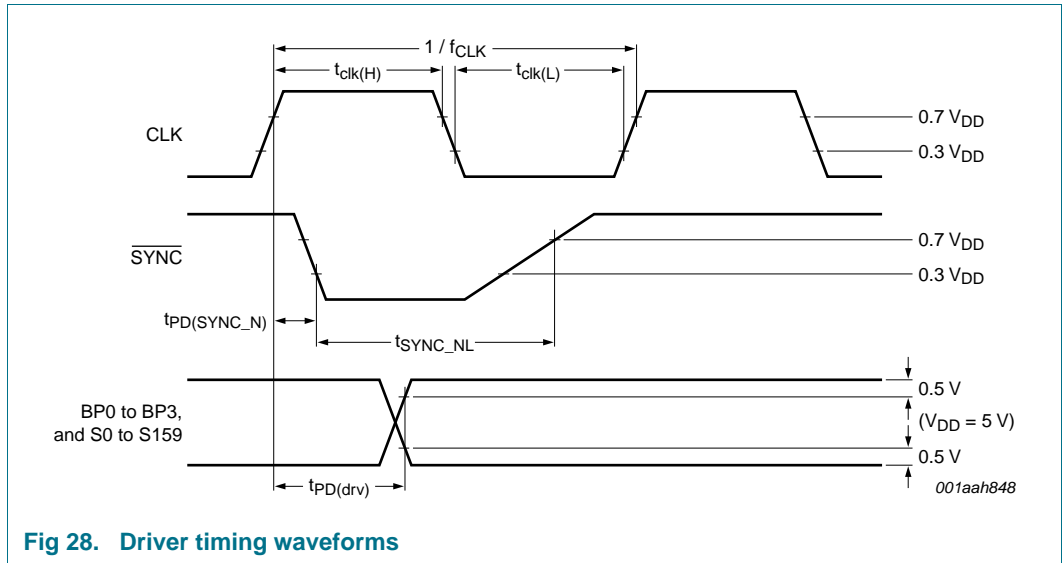


Fig 28. Driver timing waveforms

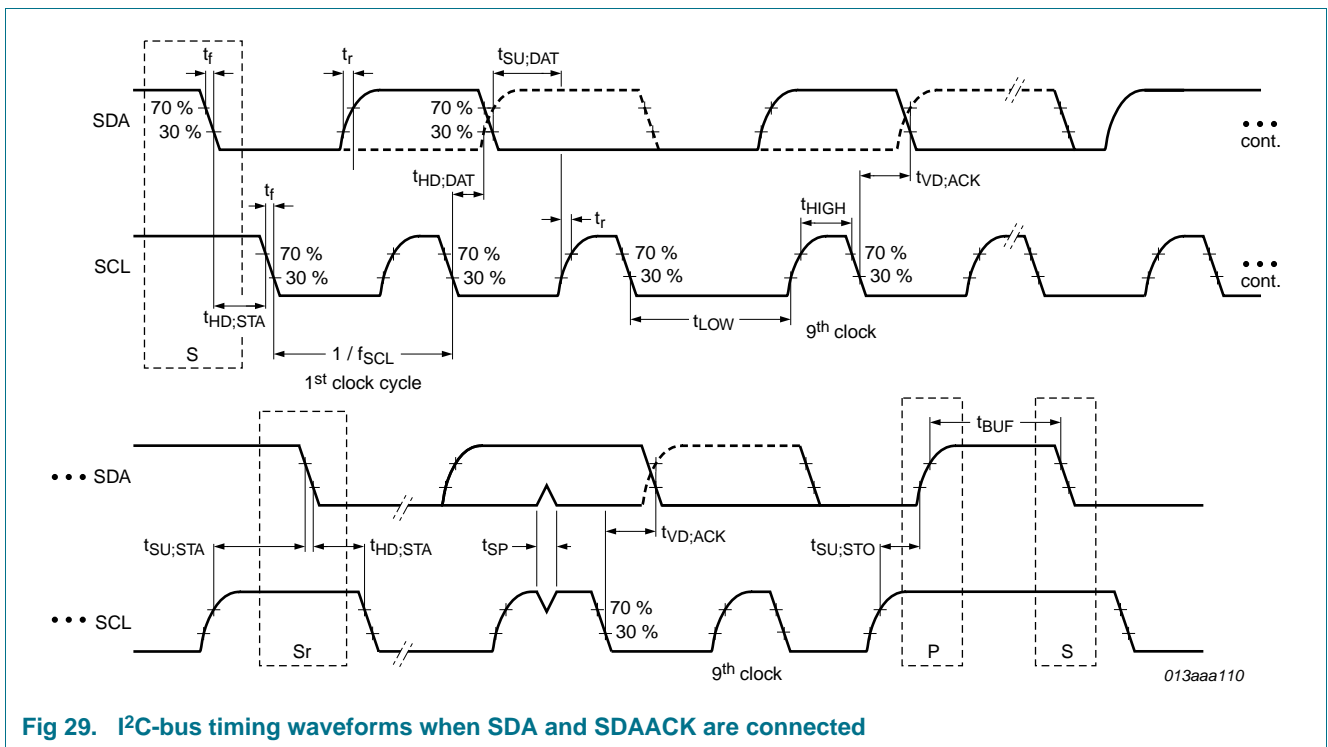


Fig 29. I<sup>2</sup>C-bus timing waveforms when SDA and SDAACK are connected



## 14. Application information

### 14.1 Pull-up resistor sizing on I<sup>2</sup>C-bus

#### 14.1.1 Max value of pull-up resistor

The bus capacitance ( $C_b$ ) is the total capacitance of wire, connections, and pins. This capacitance on pin SDA limits the maximum value of the pull-up resistor ( $R_{PU}$ ) due to the specified rise time.

According to the I<sup>2</sup>C-bus specification the rise time ( $t_r$ ) is defined between the  $V_{DD}$ -related input threshold of  $V_{IL} = 0.3V_{DD}$  and  $V_{IH} = 0.7V_{DD}$ . The value for  $t_{r(max)}$  is 300 ns.

$t_r$  is calculated with [Equation 7](#):

$$t_r = t2 - t1 \tag{7}$$

whereas  $t1$  and  $t2$  are the time since the charging started. The values for  $t1$  and  $t2$  are derivatives of the functions  $V(t1)$  and  $V(t2)$ :

$$V(t1) = 0.3V_{DD} = V_{DD}(1 - e^{-t1/R_{PU}C_b}) \tag{8}$$

$$V(t2) = 0.7V_{DD} = V_{DD}(1 - e^{-t2/R_{PU}C_b}) \tag{9}$$

with the results of

$$t1 = -R_{PU}C_b \times \ln(0.7) \tag{10}$$

$$t2 = -R_{PU}C_b \times \ln(0.3) \tag{11}$$

$$t_r = -R_{PU}C_b \times \ln(0.3) + R_{PU}C_b \times \ln(0.7) \tag{12}$$

$R_{PU(max)}$  is a function of the rise time ( $t_r$ ) and the bus capacitance ( $C_b$ ) and is calculated with [Equation 13](#):

$$R_{PU(max)} = \frac{t_r}{0.8473C_b} = \frac{300 \times 10^{-9}}{0.8473C_b} \tag{13}$$

#### 14.1.2 Min value of pull-up resistor

The supply voltage limits the minimum value of resistor  $R_{PU}$  due to the specified minimum sink current (see value of  $I_{OL}$  on pin SDAACK in [Table 21 on page 35](#)).  $R_{PU(min)}$  as a function of  $V_{DD}$  is calculated with [Equation 14](#):

$$R_{PU(min)} = \frac{V_{DD} - V_{OL}}{I_{OL}} \tag{14}$$

The designer now has the minimum and maximum value of  $R_{PU}$ . The values for  $R_{PU(max)}$  and  $R_{PU(min)}$  are shown in [Figure 30](#) and [Figure 31](#).

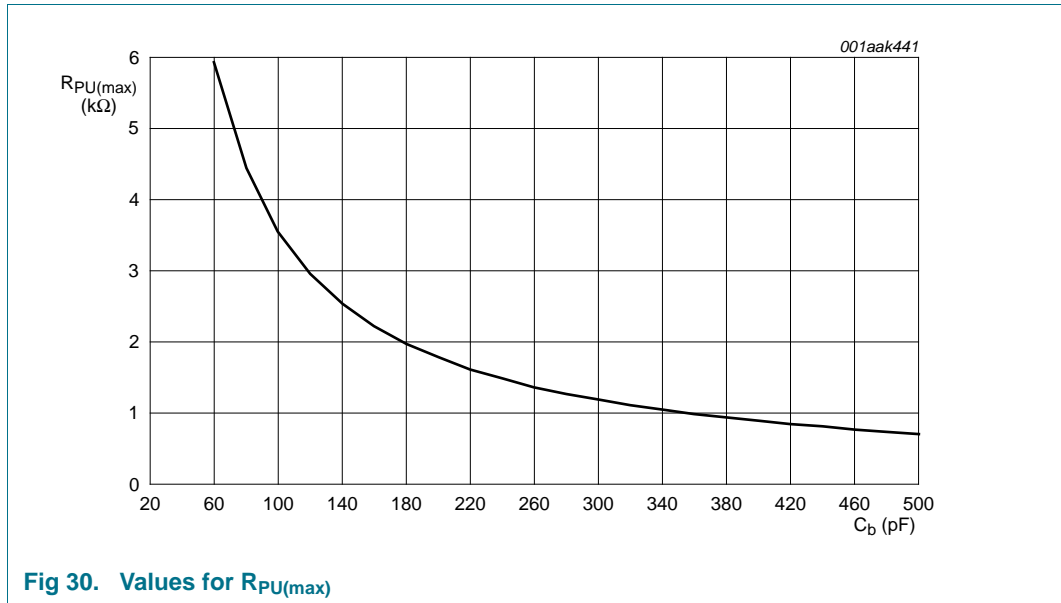


Fig 30. Values for R<sub>PU(max)</sub>

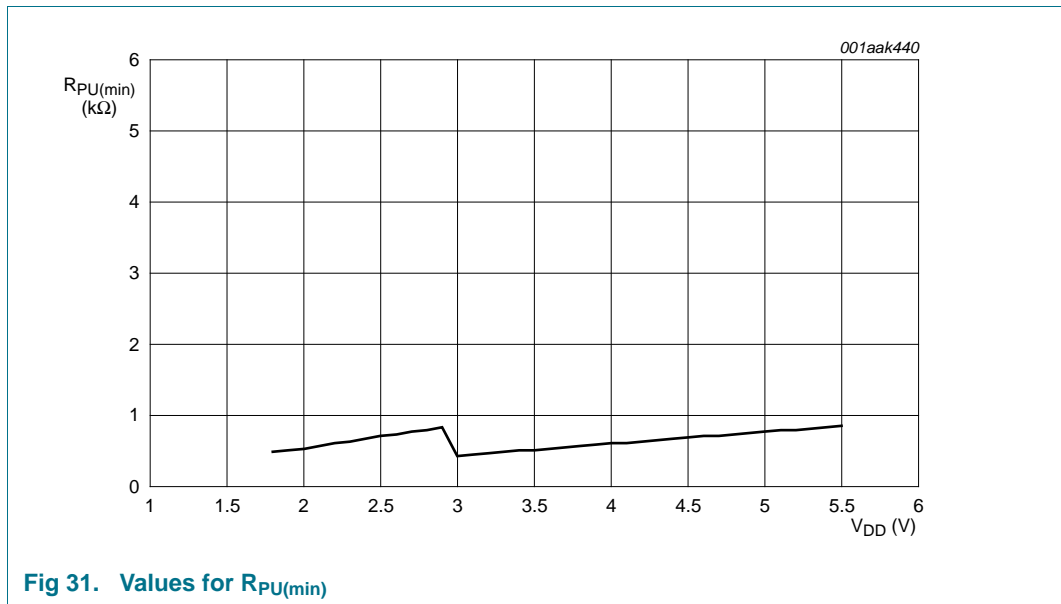
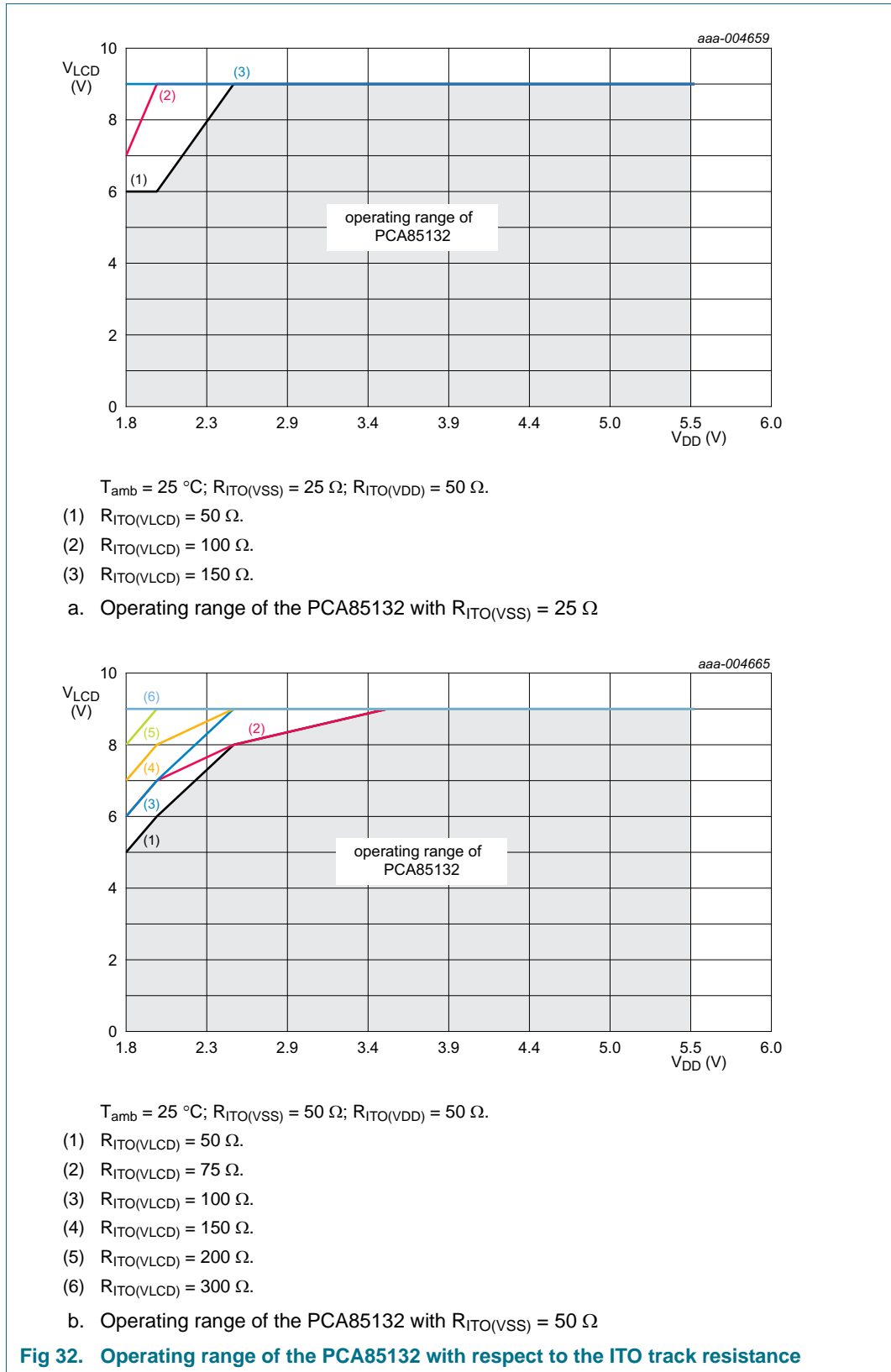


Fig 31. Values for R<sub>PU(min)</sub>

### 14.2 ITO track resistance

If an application requires to have a low V<sub>DD</sub> supply voltage compared to the V<sub>LCD</sub> supply voltage, it is recommended to increase the ITO resistance on the V<sub>LCD</sub> supply track in order to reduce the noise induced on the V<sub>SS</sub> line when display is enabled. A low V<sub>DD</sub> voltage supply and noise peaks on V<sub>SS</sub> induced by display activities may introduce disturbances into the I<sup>2</sup>C communication with the microcontroller.

Figure 32 shows that, when the ITO resistance of the V<sub>SS</sub> pin has a certain value, it is indicated to have a higher ITO resistance on the V<sub>LCD</sub> track, especially if V<sub>LCD</sub> (for example, 9 V) is sharply higher than V<sub>DD</sub> (for example, 1.8 V). With a higher ITO resistance on the V<sub>LCD</sub> track, the noise spikes induced to the V<sub>SS</sub> of the PCA85132 are getting smaller and the functionality is less affected.



### 14.3 SDA and SDAACK configuration

The Serial Data line (SDA) and the I<sup>2</sup>C-bus acknowledge line (SDAACK) are split. Both lines can be connected together to facilitate a single-line SDA.

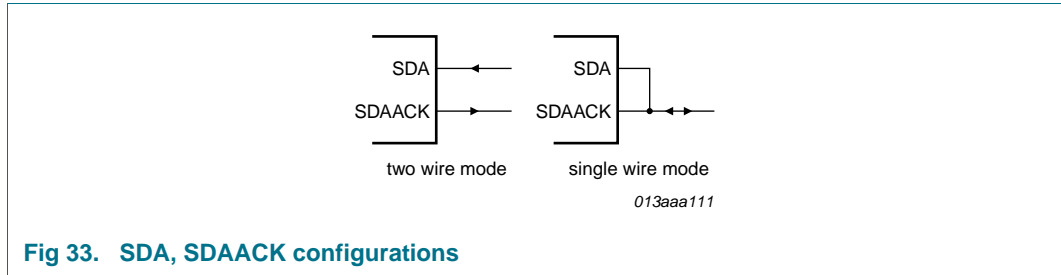


Fig 33. SDA, SDAACK configurations

### 14.4 Cascaded operation

In large display configurations, up to 8 PCA85132 can be distinguished on the same I<sup>2</sup>C-bus by using the 2-bit hardware subaddress (A0 and A1) and the programmable I<sup>2</sup>C-bus slave address (SA0).

Table 23. Addressing cascaded PCA85132

| Cluster | Bit SA0 | Pin A1 | Pin A0 | Device |
|---------|---------|--------|--------|--------|
| 1       | 0       | 0      | 0      | 0      |
|         |         | 0      | 1      | 1      |
|         |         | 1      | 0      | 2      |
|         |         | 1      | 1      | 3      |
| 2       | 1       | 0      | 0      | 4      |
|         |         | 0      | 1      | 5      |
|         |         | 1      | 0      | 6      |
|         |         | 1      | 1      | 7      |

When cascaded PCA85132 are synchronized, they can share the backplane signals from one of the devices in the cascade. Such an arrangement is cost-effective in large LCD applications since the backplane outputs of one PCA85132 of the cascade contribute additional segment outputs. The backplanes can either be connected together to enhance the drive capability or some can be left open-circuit (such as the ones from the slave in [Figure 34](#) and [Figure 35](#)) or just some of the master and some of the slave will be taken to facilitate the layout of the display.

For display sizes that are not multiple of 640 elements, a mixed cascaded system can be considered containing only devices like PCA85132 and PCA85133. Depending on the application, one must take care of the software commands compatibility and pin connection compatibility.

The  $\overline{\text{SYNC}}$  line is provided to maintain the correct synchronization between all cascaded PCA85132. This synchronization is guaranteed after the Power-On Reset (POR). The only time that  $\overline{\text{SYNC}}$  is likely to be needed is if synchronization is accidentally lost (for example, by noise in adverse electrical environments, or by the definition of a multiplex mode when PCA85132 with different SA0 levels are cascaded).  $\overline{\text{SYNC}}$  is organized as an input/output pin; the output selection being realized as an open-drain driver with an internal pull-up resistor. A PCA85132 asserts the  $\overline{\text{SYNC}}$  line at the onset of its last active

backplane signal and monitors the  $\overline{\text{SYNC}}$  line at all other times. Should synchronization in the cascade be lost, it is restored by the first PCA85132 to assert  $\overline{\text{SYNC}}$ . The timing relationship between the backplane waveforms and the  $\overline{\text{SYNC}}$  signal for the various drive modes of the PCA85132 are shown in [Figure 36 on page 48](#).

When using an external clock signal with high frequencies ( $f_{\text{clk(EXT)}} > 4 \text{ kHz}$ ), it is recommended to have an external pull-up resistor between pin  $\overline{\text{SYNC}}$  and pin  $V_{\text{DD}}$  (see [Table 22 on page 38](#)). This resistor should be present even when no cascading configuration is used! When using it in a cascaded configuration, care must be taken not to route the  $\overline{\text{SYNC}}$  signal to close to noisy signals.

The contact resistance between the  $\overline{\text{SYNC}}$  pads of cascaded devices must be controlled. If the resistance is too high, the device is not able to synchronize properly. This is particularly applicable to COG applications. [Table 24](#) shows the limiting values for contact resistance.

**Table 24.  $\overline{\text{SYNC}}$  contact resistance**

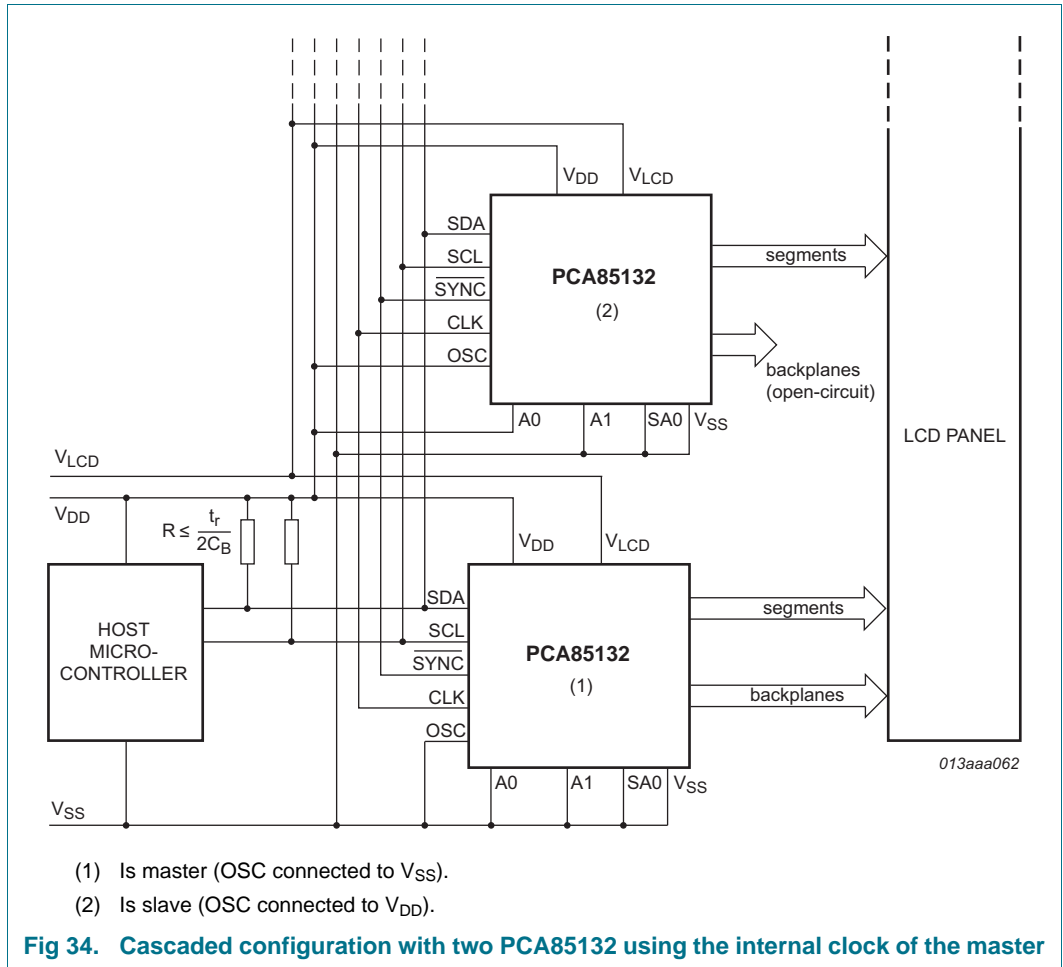
| Number of devices | Maximum contact resistance |
|-------------------|----------------------------|
| 2                 | 6000 $\Omega$              |
| 3 to 5            | 2200 $\Omega$              |
| 6 to 8            | 1200 $\Omega$              |

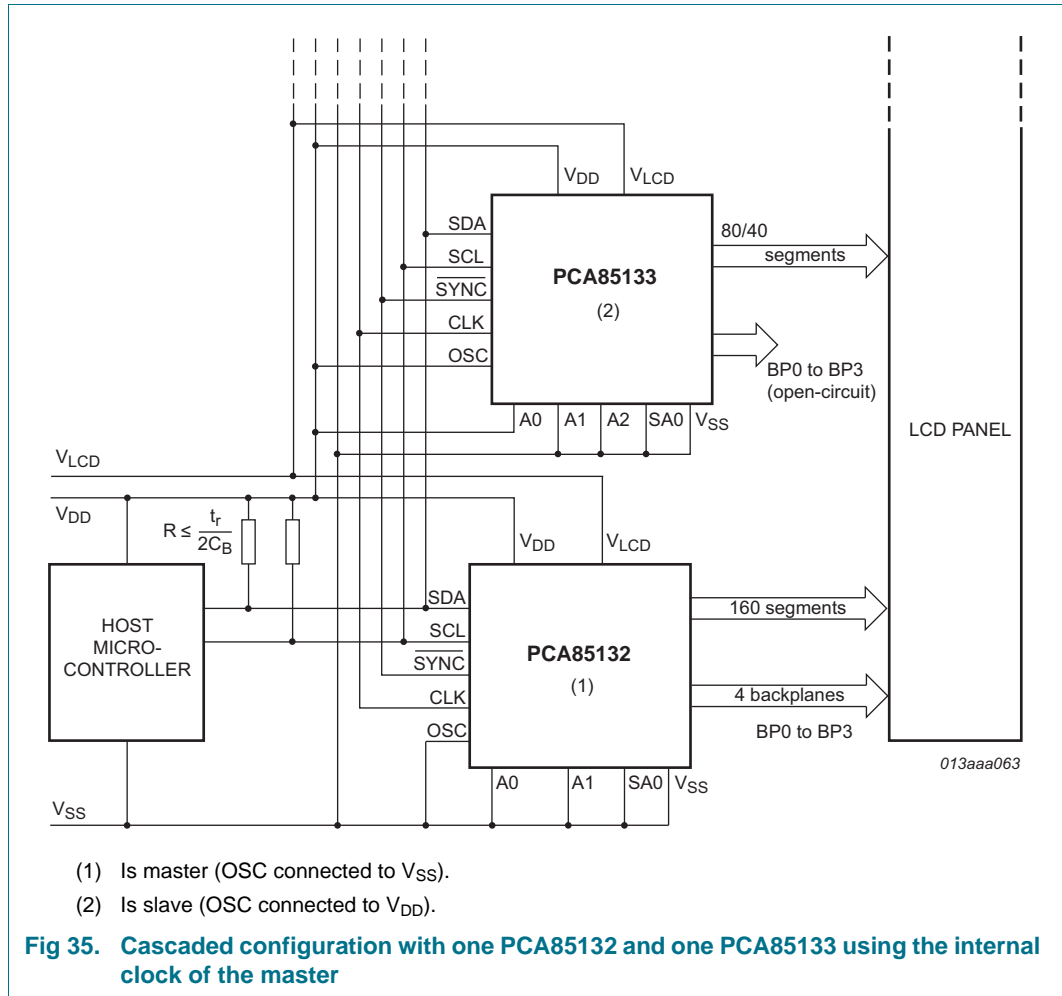
In the cascaded applications, the OSC pin of the PCA85132 with subaddress 0 is connected to  $V_{\text{SS}}$  so that this device uses its internal clock to generate a clock signal at the CLK pin. The other PCA85132 devices are having the OSC pin connected to  $V_{\text{DD}}$ , meaning that these devices are ready to receive external clock, the signal being provided by the device with subaddress 0.

If the master is providing the clock signal to the slave devices, care must be taken that the sending of display enable or disable is received by both, the master and the slaves at the same time. When the display is disabled, the output from pin CLK is disabled too. The disconnection of the clock may result in a DC component for the display.

Alternatively, the schematic can be also constructed such that all the devices have OSC pin connected to  $V_{\text{DD}}$  and thus an external CLK being provided for the system (all devices connected to the same external CLK).

A configuration where  $\overline{\text{SYNC}}$  is connected but all PCA85132 are using their internal clock (OSC pin tied to  $V_{\text{SS}}$ ) should not be used and may lead to display artifacts!





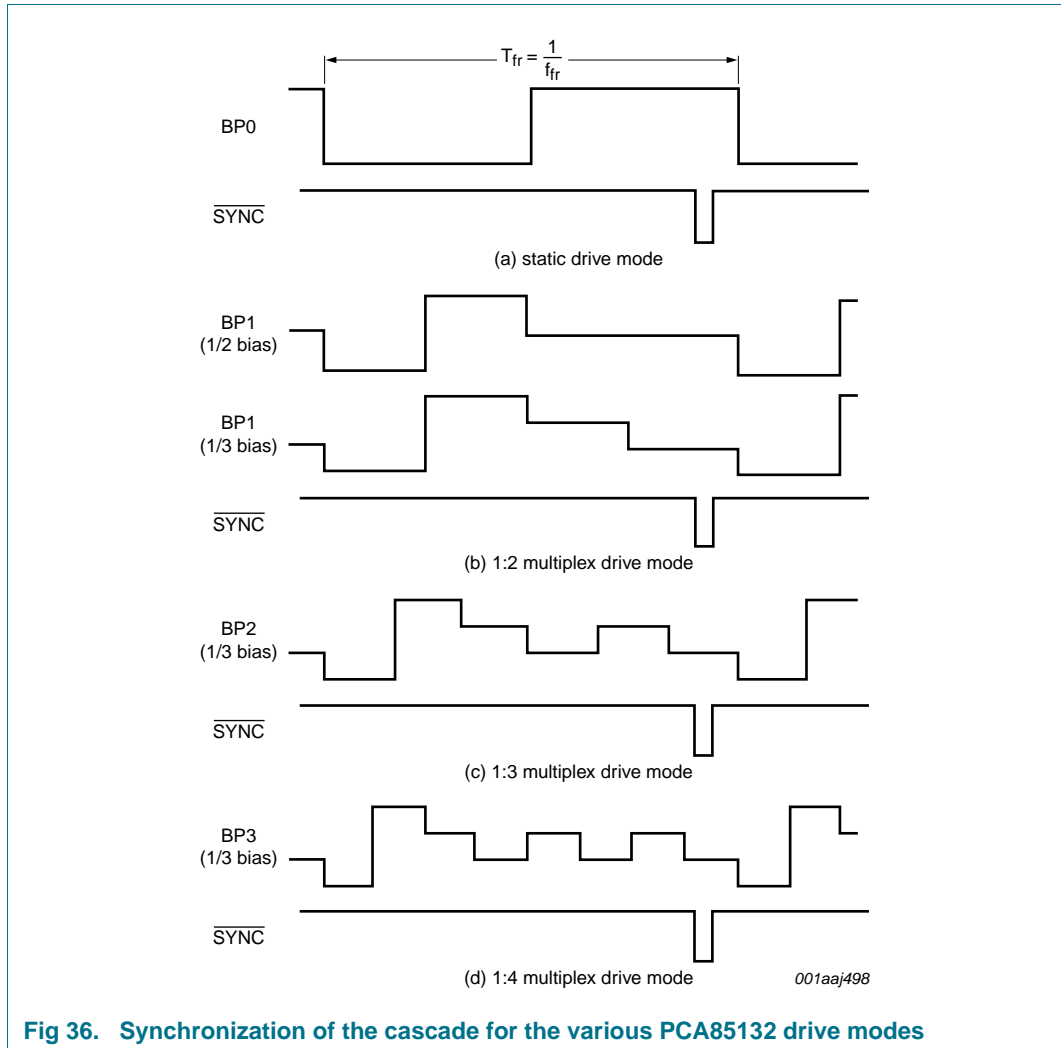


Fig 36. Synchronization of the cascade for the various PCA85132 drive modes

## 15. Test information

### 15.1 Quality information

This product has been qualified in accordance with the Automotive Electronics Council (AEC) standard Q100 - *Failure mechanism based stress test qualification for integrated circuits*, and is suitable for use in automotive applications.



### 16. Bare die outline

Bare die; 197 bumps; 6.5 x 1.16 x 0.40 mm

PCA85132U

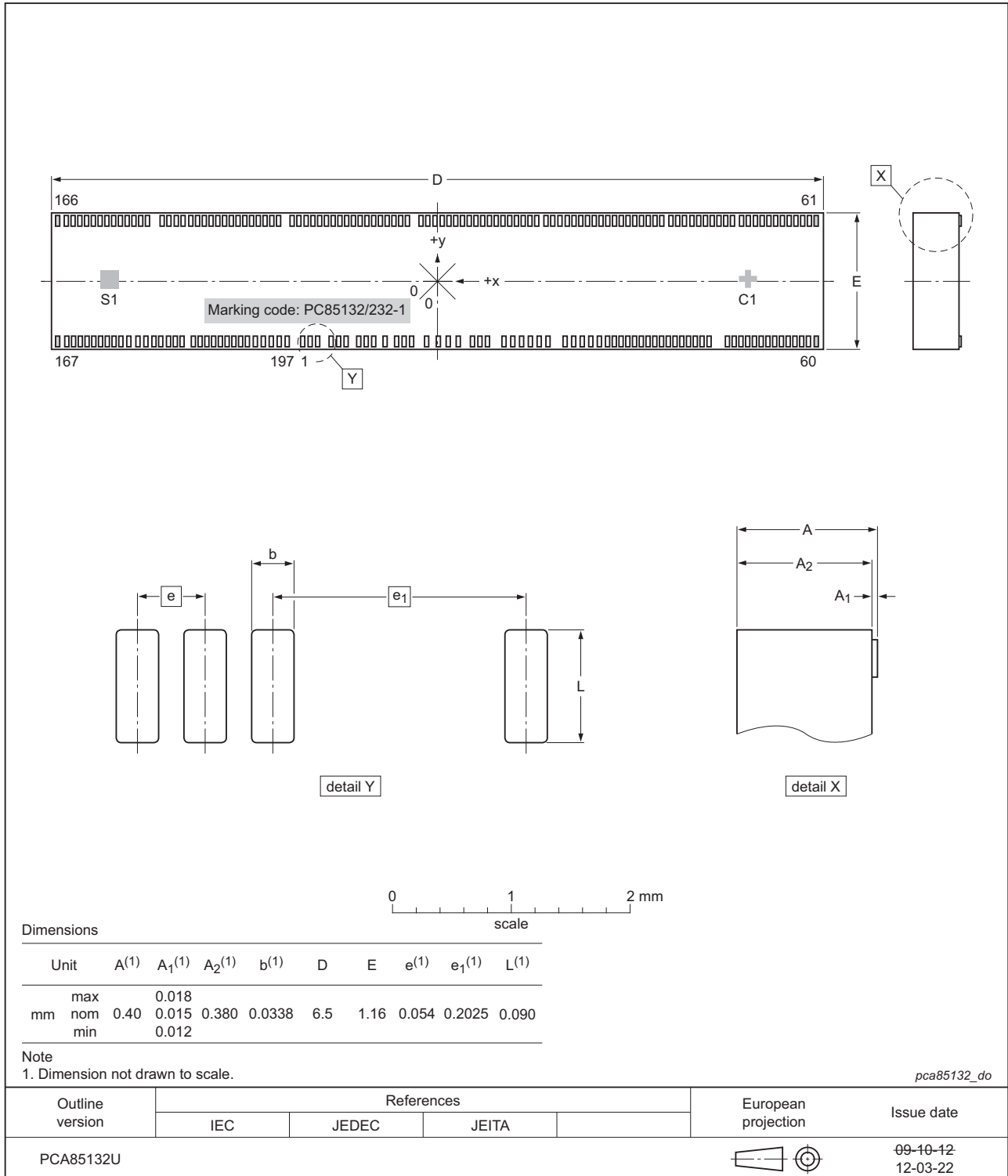


Fig 37. Bare die outline of PCA85132

**Table 25. Bump locations**

All x/y coordinates represent the position of the center of each bump with respect to the center (x/y = 0) of the chip; see [Figure 37](#).

| Symbol           | Bump | X (μm)  | Y (μm) | Symbol | Bump | X (μm)  | Y (μm) |
|------------------|------|---------|--------|--------|------|---------|--------|
| SDAACK           | 1    | -1165.3 | -481.5 | S68    | 100  | 750.2   | 481.5  |
| SDAACK           | 2    | -1111.3 | -481.5 | S69    | 101  | 696.2   | 481.5  |
| SDAACK           | 3    | -1057.3 | -481.5 | S70    | 102  | 642.2   | 481.5  |
| SDA              | 4    | -854.8  | -481.5 | S71    | 103  | 588.2   | 481.5  |
| SDA              | 5    | -800.8  | -481.5 | S72    | 104  | 534.2   | 481.5  |
| SDA              | 6    | -746.8  | -481.5 | S73    | 105  | 480.2   | 481.5  |
| SCL              | 7    | -575.8  | -481.5 | S74    | 106  | 426.2   | 481.5  |
| SCL              | 8    | -521.8  | -481.5 | S75    | 107  | 372.2   | 481.5  |
| SCL              | 9    | -467.8  | -481.5 | S76    | 108  | 318.2   | 481.5  |
| CLK              | 10   | -316.2  | -481.5 | S77    | 109  | 264.2   | 481.5  |
| V <sub>DD</sub>  | 11   | -204.1  | -481.5 | S78    | 110  | 210.2   | 481.5  |
| V <sub>DD</sub>  | 12   | -150.1  | -481.5 | S79    | 111  | 156.2   | 481.5  |
| V <sub>DD</sub>  | 13   | -96.1   | -481.5 | BP0    | 112  | 86.8    | 481.5  |
| SYNC             | 14   | 6.9     | -481.5 | BP2    | 113  | 32.8    | 481.5  |
| OSC              | 15   | 119.4   | -481.5 | BP1    | 114  | -21.2   | 481.5  |
| T1               | 16   | 203.1   | -481.5 | BP3    | 115  | -75.2   | 481.5  |
| T2               | 17   | 286.8   | -481.5 | S80    | 116  | -190.7  | 481.5  |
| T3               | 18   | 389.9   | -481.5 | S81    | 117  | -244.7  | 481.5  |
| T3               | 19   | 443.9   | -481.5 | S82    | 118  | -298.7  | 481.5  |
| T3               | 20   | 497.9   | -481.5 | S83    | 119  | -352.7  | 481.5  |
| A0               | 21   | 640.5   | -481.5 | S84    | 120  | -406.7  | 481.5  |
| A1               | 22   | 724.2   | -481.5 | S85    | 121  | -460.7  | 481.5  |
| SA0              | 23   | 807.9   | -481.5 | S86    | 122  | -514.7  | 481.5  |
| V <sub>SS</sub>  | 24   | 893.0   | -481.5 | S87    | 123  | -568.7  | 481.5  |
| V <sub>SS</sub>  | 25   | 947.0   | -481.5 | S88    | 124  | -622.7  | 481.5  |
| V <sub>SS</sub>  | 26   | 1001.0  | -481.5 | S89    | 125  | -676.7  | 481.5  |
| V <sub>LCD</sub> | 27   | 1107.2  | -481.5 | S90    | 126  | -730.7  | 481.5  |
| V <sub>LCD</sub> | 28   | 1161.2  | -481.5 | S91    | 127  | -784.7  | 481.5  |
| V <sub>LCD</sub> | 29   | 1215.2  | -481.5 | S92    | 128  | -838.7  | 481.5  |
| BP2              | 30   | 1303.4  | -481.5 | S93    | 129  | -892.7  | 481.5  |
| BP0              | 31   | 1357.4  | -481.5 | S94    | 130  | -946.7  | 481.5  |
| S0               | 32   | 1411.4  | -481.5 | S95    | 131  | -1000.7 | 481.5  |
| S1               | 33   | 1465.4  | -481.5 | S96    | 132  | -1054.7 | 481.5  |
| S2               | 34   | 1519.4  | -481.5 | S97    | 133  | -1108.7 | 481.5  |
| S3               | 35   | 1573.4  | -481.5 | S98    | 134  | -1224.2 | 481.5  |
| S4               | 36   | 1627.4  | -481.5 | S99    | 135  | -1278.2 | 481.5  |
| S5               | 37   | 1681.4  | -481.5 | S100   | 136  | -1332.2 | 481.5  |
| S6               | 38   | 1735.4  | -481.5 | S101   | 137  | -1386.2 | 481.5  |
| S7               | 39   | 1789.4  | -481.5 | S102   | 138  | -1440.2 | 481.5  |

**Table 25. Bump locations ...continued**

All x/y coordinates represent the position of the center of each bump with respect to the center (x/y = 0) of the chip; see [Figure 37](#).

| Symbol | Bump | X (μm) | Y (μm) | Symbol | Bump | X (μm)  | Y (μm) |
|--------|------|--------|--------|--------|------|---------|--------|
| S8     | 40   | 1843.4 | -481.5 | S103   | 139  | -1494.2 | 481.5  |
| S9     | 41   | 1897.4 | -481.5 | S104   | 140  | -1548.2 | 481.5  |
| S10    | 42   | 1951.4 | -481.5 | S105   | 141  | -1602.2 | 481.5  |
| S11    | 43   | 2005.4 | -481.5 | S106   | 142  | -1656.2 | 481.5  |
| S12    | 44   | 2059.4 | -481.5 | S107   | 143  | -1710.2 | 481.5  |
| S13    | 45   | 2113.4 | -481.5 | S108   | 144  | -1764.2 | 481.5  |
| S14    | 46   | 2167.4 | -481.5 | S109   | 145  | -1818.2 | 481.5  |
| S15    | 47   | 2221.4 | -481.5 | S110   | 146  | -1872.2 | 481.5  |
| S16    | 48   | 2363.9 | -481.5 | S111   | 147  | -1926.2 | 481.5  |
| S17    | 49   | 2417.9 | -481.5 | S112   | 148  | -1980.2 | 481.5  |
| S18    | 50   | 2471.9 | -481.5 | S113   | 149  | -2034.2 | 481.5  |
| S19    | 51   | 2525.9 | -481.5 | S114   | 150  | -2088.2 | 481.5  |
| S20    | 52   | 2579.9 | -481.5 | S115   | 151  | -2142.2 | 481.5  |
| S21    | 53   | 2633.9 | -481.5 | S116   | 152  | -2284.7 | 481.5  |
| S22    | 54   | 2687.9 | -481.5 | S117   | 153  | -2338.7 | 481.5  |
| S23    | 55   | 2741.9 | -481.5 | S118   | 154  | -2392.7 | 481.5  |
| S24    | 56   | 2795.9 | -481.5 | S119   | 155  | -2446.7 | 481.5  |
| S25    | 57   | 2849.9 | -481.5 | S120   | 156  | -2500.7 | 481.5  |
| S26    | 58   | 2903.9 | -481.5 | S121   | 157  | -2554.7 | 481.5  |
| S27    | 59   | 2957.9 | -481.5 | S122   | 158  | -2608.7 | 481.5  |
| S28    | 60   | 3011.9 | -481.5 | S123   | 159  | -2662.7 | 481.5  |
| S29    | 61   | 3067.7 | 481.5  | S124   | 160  | -2716.7 | 481.5  |
| S30    | 62   | 3013.7 | 481.5  | S125   | 161  | -2770.7 | 481.5  |
| S31    | 63   | 2959.7 | 481.5  | S126   | 162  | -2824.7 | 481.5  |
| S32    | 64   | 2905.7 | 481.5  | S127   | 163  | -2878.7 | 481.5  |
| S33    | 65   | 2851.7 | 481.5  | S128   | 164  | -2932.7 | 481.5  |
| S34    | 66   | 2797.7 | 481.5  | S129   | 165  | -2986.7 | 481.5  |
| S35    | 67   | 2743.7 | 481.5  | S130   | 166  | -3040.7 | 481.5  |
| S36    | 68   | 2689.7 | 481.5  | S131   | 167  | -3025.2 | -481.5 |
| S37    | 69   | 2635.7 | 481.5  | S132   | 168  | -2971.2 | -481.5 |
| S38    | 70   | 2520.2 | 481.5  | S133   | 169  | -2917.2 | -481.5 |
| S39    | 71   | 2466.2 | 481.5  | S134   | 170  | -2863.2 | -481.5 |
| S40    | 72   | 2412.2 | 481.5  | S135   | 171  | -2809.2 | -481.5 |
| S41    | 73   | 2358.2 | 481.5  | S136   | 172  | -2755.2 | -481.5 |
| S42    | 74   | 2304.2 | 481.5  | S137   | 173  | -2701.2 | -481.5 |
| S43    | 75   | 2250.2 | 481.5  | S138   | 174  | -2647.2 | -481.5 |
| S44    | 76   | 2196.2 | 481.5  | S139   | 175  | -2593.2 | -481.5 |
| S45    | 77   | 2142.2 | 481.5  | S140   | 176  | -2539.2 | -481.5 |
| S46    | 78   | 2088.2 | 481.5  | S141   | 177  | -2485.2 | -481.5 |

**Table 25. Bump locations ...continued**

All x/y coordinates represent the position of the center of each bump with respect to the center (x/y = 0) of the chip; see [Figure 37](#).

| Symbol | Bump | X (μm) | Y (μm) | Symbol | Bump | X (μm)  | Y (μm) |
|--------|------|--------|--------|--------|------|---------|--------|
| S47    | 79   | 2034.2 | 481.5  | S142   | 178  | -2431.2 | -481.5 |
| S48    | 80   | 1891.7 | 481.5  | S143   | 179  | -2377.2 | -481.5 |
| S49    | 81   | 1837.7 | 481.5  | S144   | 180  | -2234.7 | -481.5 |
| S50    | 82   | 1783.7 | 481.5  | S145   | 181  | -2180.7 | -481.5 |
| S51    | 83   | 1729.7 | 481.5  | S146   | 182  | -2126.7 | -481.5 |
| S52    | 84   | 1675.7 | 481.5  | S147   | 183  | -2072.7 | -481.5 |
| S53    | 85   | 1621.7 | 481.5  | S148   | 184  | -2018.7 | -481.5 |
| S54    | 86   | 1567.7 | 481.5  | S149   | 185  | -1964.7 | -481.5 |
| S55    | 87   | 1513.7 | 481.5  | S150   | 186  | -1910.7 | -481.5 |
| S56    | 88   | 1459.7 | 481.5  | S151   | 187  | -1856.7 | -481.5 |
| S57    | 89   | 1405.7 | 481.5  | S152   | 188  | -1802.7 | -481.5 |
| S58    | 90   | 1351.7 | 481.5  | S153   | 189  | -1748.7 | -481.5 |
| S59    | 91   | 1297.7 | 481.5  | S154   | 190  | -1694.7 | -481.5 |
| S60    | 92   | 1243.7 | 481.5  | S155   | 191  | -1640.7 | -481.5 |
| S61    | 93   | 1189.7 | 481.5  | S156   | 192  | -1586.7 | -481.5 |
| S62    | 94   | 1135.7 | 481.5  | S157   | 193  | -1532.7 | -481.5 |
| S63    | 95   | 1081.7 | 481.5  | S158   | 194  | -1478.7 | -481.5 |
| S64    | 96   | 1027.7 | 481.5  | S159   | 195  | -1424.7 | -481.5 |
| S65    | 97   | 973.7  | 481.5  | BP3    | 196  | -1370.7 | -481.5 |
| S66    | 98   | 858.2  | 481.5  | BP1    | 197  | -1316.7 | -481.5 |
| S67    | 99   | 804.2  | 481.5  |        |      |         |        |

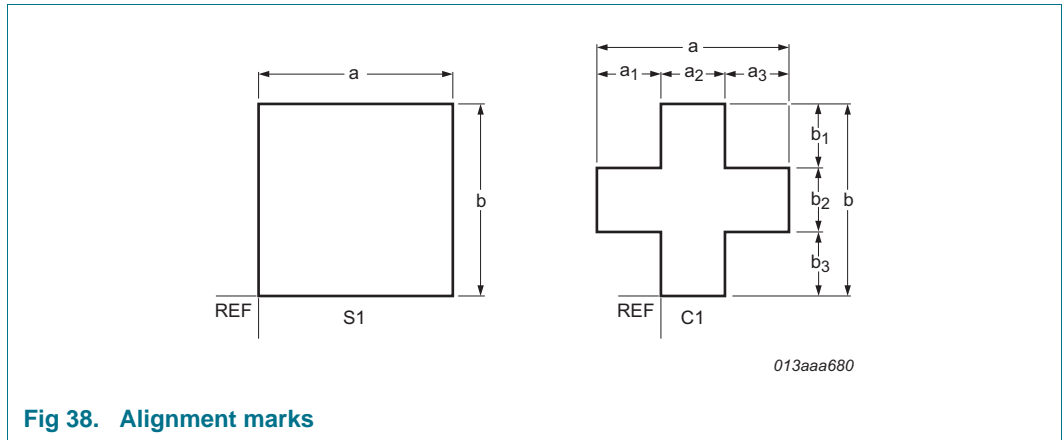
The dummy pins are connected to the pins shown (see [Table 26](#)) but are not tested.

**Table 26. Dummy bumps**

All x/y coordinates represent the position of the center of each bump with respect to the center (x/y = 0) of the chip; see [Figure 37 on page 49](#).

| Symbol | Connected to pin | X (μm)  | Y (μm) |
|--------|------------------|---------|--------|
| D1     | S131             | -3079.2 | -481.5 |
| D2     | S28              | 3065.9  | -481.5 |
| D3     | S29              | 3121.7  | 481.5  |
| D4     | S130             | -3094.7 | 481.5  |

The alignment marks are shown in [Table 27](#).



**Table 27. Alignment marks**

All x/y coordinates represent the position of the REF point (see [Figure 38](#)) with respect to the center (x/y = 0) of the chip; see [Figure 37 on page 49](#).

| a                        | a <sub>1</sub> | a <sub>2</sub> | a <sub>3</sub> | b     | b <sub>1</sub> | b <sub>2</sub> | b <sub>3</sub> | Coordinates |        | Unit |
|--------------------------|----------------|----------------|----------------|-------|----------------|----------------|----------------|-------------|--------|------|
|                          |                |                |                |       |                |                |                | X           | Y      |      |
| <b>Alignment mark S1</b> |                |                |                |       |                |                |                |             |        |      |
| 121.5                    | -              | -              | -              | 121.5 | -              | -              | -              | -2733.75    | -47.25 | μm   |
| <b>Alignment mark C1</b> |                |                |                |       |                |                |                |             |        |      |
| 121.5                    | 36.45          | 48.6           | 36.45          | 121.5 | 36.45          | 48.6           | 36.45          | 2603.7      | -47.25 | μm   |

**Table 28. Gold bump hardness**

| Type number      | Min | Max | Unit <sup>[1]</sup> |
|------------------|-----|-----|---------------------|
| PCA85132U/2DA/Q1 | 60  | 120 | HV                  |
| PCA85132U/2DB/Q1 | 35  | 80  | HV                  |

[1] Pressure of diamond head: 10 g to 50 g.

## 17. Packing information

### 17.1 Tray information

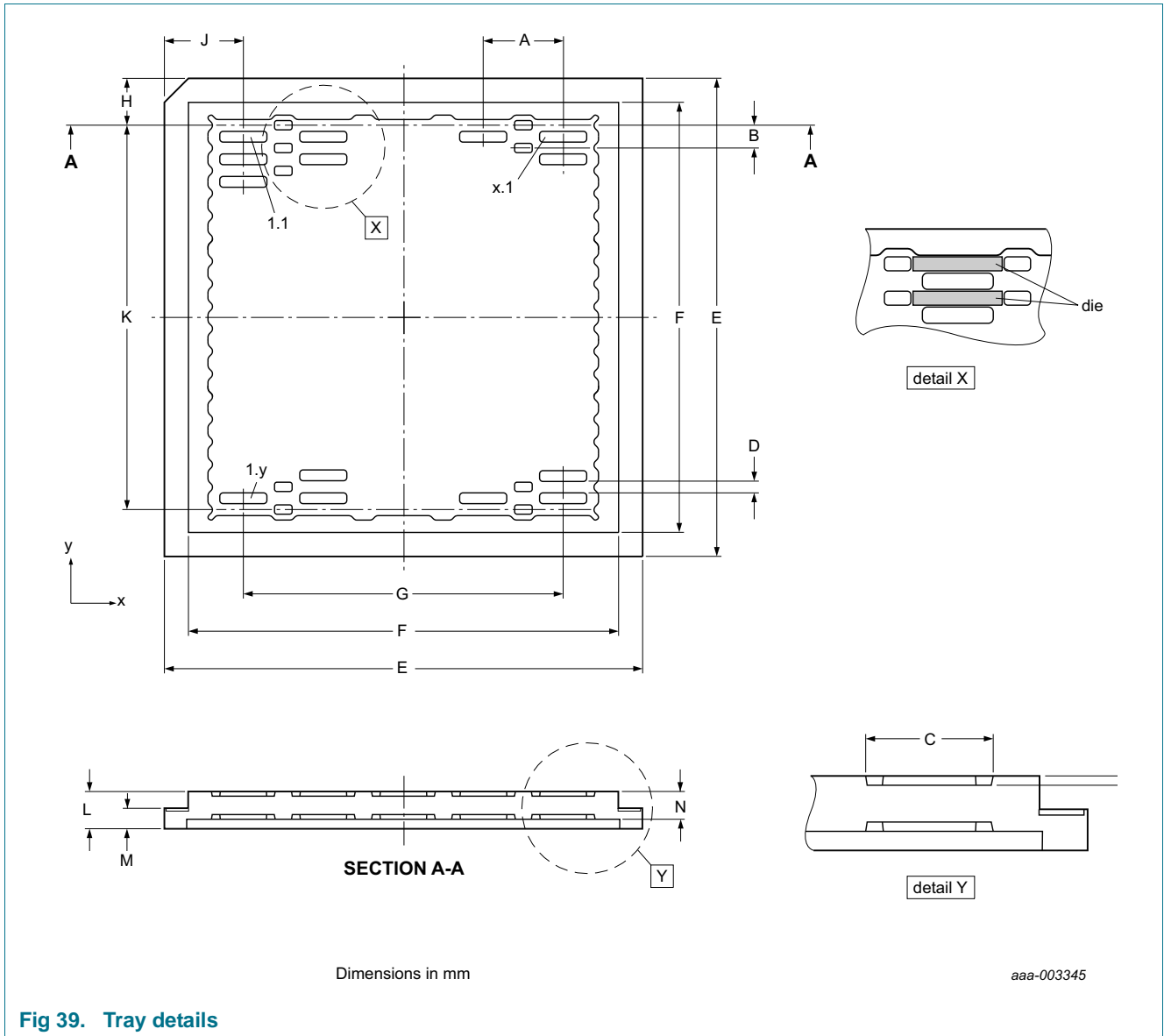


Fig 39. Tray details

Table 29. Description of tray details

Tray details are shown in [Figure 39](#).

| Tray details      |      |       |       |      |       |      |     |             |       |      |      |      |     |      |
|-------------------|------|-------|-------|------|-------|------|-----|-------------|-------|------|------|------|-----|------|
| Dimensions        |      |       |       |      |       |      |     |             |       |      |      |      |     |      |
| A                 | B    | C     | D     | E    | F     | G    | H   | J           | K     | L    | M    | N    | O   | Unit |
| 8.50              | 2.40 | 6.596 | 1.259 | 50.8 | 45.72 | 34.0 | 5.0 | 8.40        | 40.80 | 3.96 | 2.18 | 2.49 | 0.5 | mm   |
| Number of pockets |      |       |       |      |       |      |     |             |       |      |      |      |     |      |
| x direction       |      |       |       |      |       |      |     | y direction |       |      |      |      |     |      |
| 5                 |      |       |       |      |       |      |     | 18          |       |      |      |      |     |      |

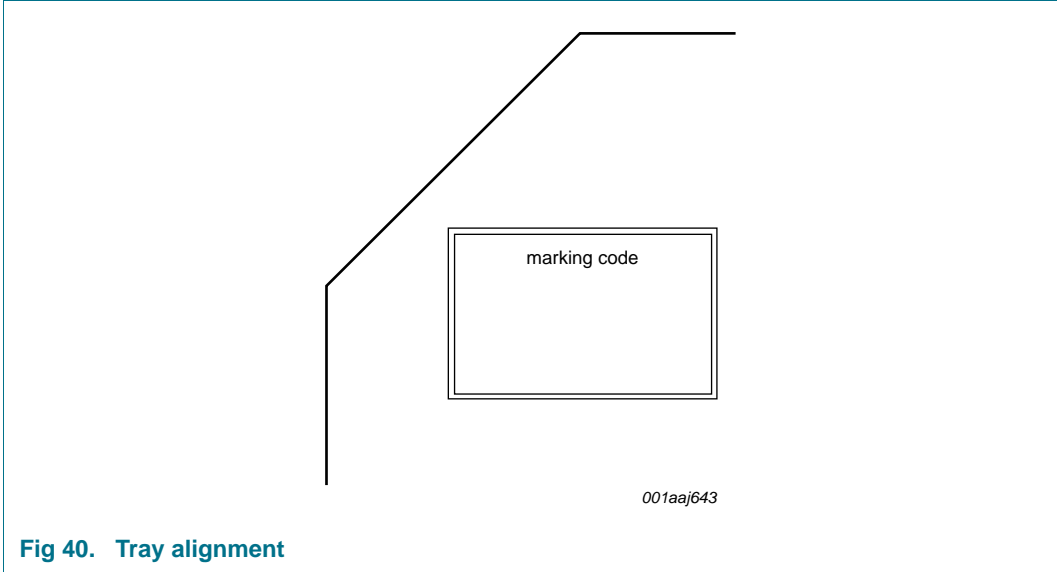


Fig 40. Tray alignment

## 18. Appendix

### 18.1 LCD segment driver selection

Table 30. Selection of LCD segment drivers

| Type name  | Number of elements at MUX |     |     |     |     |     |     | V <sub>DD</sub> (V) | V <sub>LCD</sub> (V) | f <sub>fr</sub> (Hz)     | V <sub>LCD</sub> (V)<br>charge<br>pump | V <sub>LCD</sub> (V)<br>temperature<br>compensat. | T <sub>amb</sub> (°C) | Interface              | Package  | AEC-<br>Q100 |
|------------|---------------------------|-----|-----|-----|-----|-----|-----|---------------------|----------------------|--------------------------|--|---|-----------------------|------------------------|----------|--------------|
|            | 1:1                       | 1:2 | 1:3 | 1:4 | 1:6 | 1:8 | 1:9 |                     |                      |                          |  |   |                       |                        |          |              |
| PCA8553DTT | 40                        | 80  | 120 | 160 | -   | -   | -   | 1.8 to 5.5          | 1.8 to 5.5           | 32 to 256 <sup>[1]</sup> | N                                      | N   | -40 to 105            | I <sup>2</sup> C / SPI | TSSOP56  | Y            |
| PCA8546ATT | -                         | -   | -   | 176 | -   | -   | -   | 1.8 to 5.5          | 2.5 to 9             | 60 to 300 <sup>[1]</sup> | N                                      | N   | -40 to 95             | I <sup>2</sup> C       | TSSOP56  | Y            |
| PCA8546BTT | -                         | -   | -   | 176 | -   | -   | -   | 1.8 to 5.5          | 2.5 to 9             | 60 to 300 <sup>[1]</sup> | N                                      | N   | -40 to 95             | SPI                    | TSSOP56  | Y            |
| PCA8547AHT | 44                        | 88  | -   | 176 | -   | -   | -   | 1.8 to 5.5          | 2.5 to 9             | 60 to 300 <sup>[1]</sup> | Y                                      | Y   | -40 to 95             | I <sup>2</sup> C       | TQFP64   | Y            |
| PCA8547BHT | 44                        | 88  | -   | 176 | -   | -   | -   | 1.8 to 5.5          | 2.5 to 9             | 60 to 300 <sup>[1]</sup> | Y                                      | Y   | -40 to 95             | SPI                    | TQFP64   | Y            |
| PCF85134HL | 60                        | 120 | 180 | 240 | -   | -   | -   | 1.8 to 5.5          | 2.5 to 6.5           | 82                       | N                                      | N   | -40 to 85             | I <sup>2</sup> C       | LQFP80   | N            |
| PCA85134H  | 60                        | 120 | 180 | 240 | -   | -   | -   | 1.8 to 5.5          | 2.5 to 8             | 82                       | N                                      | N   | -40 to 95             | I <sup>2</sup> C       | LQFP80   | Y            |
| PCA8543AHL | 60                        | 120 | -   | 240 | -   | -   | -   | 2.5 to 5.5          | 2.5 to 9             | 60 to 300 <sup>[1]</sup> | Y                                      | Y   | -40 to 105            | I <sup>2</sup> C       | LQFP80   | Y            |
| PCF8545ATT | -                         | -   | -   | 176 | 252 | 320 | -   | 1.8 to 5.5          | 2.5 to 5.5           | 60 to 300 <sup>[1]</sup> | N                                      | N   | -40 to 85             | I <sup>2</sup> C       | TSSOP56  | N            |
| PCF8545BTT | -                         | -   | -   | 176 | 252 | 320 | -   | 1.8 to 5.5          | 2.5 to 5.5           | 60 to 300 <sup>[1]</sup> | N                                      | N   | -40 to 85             | SPI                    | TSSOP56  | N            |
| PCF8536AT  | -                         | -   | -   | 176 | 252 | 320 | -   | 1.8 to 5.5          | 2.5 to 9             | 60 to 300 <sup>[1]</sup> | N                                      | N   | -40 to 85             | I <sup>2</sup> C       | TSSOP56  | N            |
| PCF8536BT  | -                         | -   | -   | 176 | 252 | 320 | -   | 1.8 to 5.5          | 2.5 to 9             | 60 to 300 <sup>[1]</sup> | N                                      | N   | -40 to 85             | SPI                    | TSSOP56  | N            |
| PCA8536AT  | -                         | -   | -   | 176 | 252 | 320 | -   | 1.8 to 5.5          | 2.5 to 9             | 60 to 300 <sup>[1]</sup> | N                                      | N   | -40 to 95             | I <sup>2</sup> C       | TSSOP56  | Y            |
| PCA8536BT  | -                         | -   | -   | 176 | 252 | 320 | -   | 1.8 to 5.5          | 2.5 to 9             | 60 to 300 <sup>[1]</sup> | N                                      | N   | -40 to 95             | SPI                    | TSSOP56  | Y            |
| PCF8537AH  | 44                        | 88  | -   | 176 | 276 | 352 | -   | 1.8 to 5.5          | 2.5 to 9             | 60 to 300 <sup>[1]</sup> | Y                                      | Y   | -40 to 85             | I <sup>2</sup> C       | TQFP64   | N            |
| PCF8537BH  | 44                        | 88  | -   | 176 | 276 | 352 | -   | 1.8 to 5.5          | 2.5 to 9             | 60 to 300 <sup>[1]</sup> | Y                                      | Y   | -40 to 85             | SPI                    | TQFP64   | N            |
| PCA8537AH  | 44                        | 88  | -   | 176 | 276 | 352 | -   | 1.8 to 5.5          | 2.5 to 9             | 60 to 300 <sup>[1]</sup> | Y                                      | Y   | -40 to 95             | I <sup>2</sup> C       | TQFP64   | Y            |
| PCA8537BH  | 44                        | 88  | -   | 176 | 276 | 352 | -   | 1.8 to 5.5          | 2.5 to 9             | 60 to 300 <sup>[1]</sup> | Y                                      | Y   | -40 to 95             | SPI                    | TQFP64   | Y            |
| PCA9620H   | 60                        | 120 | -   | 240 | 320 | 480 | -   | 2.5 to 5.5          | 2.5 to 9             | 60 to 300 <sup>[1]</sup> | Y                                      | Y   | -40 to 105            | I <sup>2</sup> C       | LQFP80   | Y            |
| PCA9620U   | 60                        | 120 | -   | 240 | 320 | 480 | -   | 2.5 to 5.5          | 2.5 to 9             | 60 to 300 <sup>[1]</sup> | Y                                      | Y   | -40 to 105            | I <sup>2</sup> C       | Bare die | Y            |
| PCF8576DU  | 40                        | 80  | 120 | 160 | -   | -   | -   | 1.8 to 5.5          | 2.5 to 6.5           | 77                       | N                                      | N   | -40 to 85             | I <sup>2</sup> C       | Bare die | N            |
| PCF8576EUG | 40                        | 80  | 120 | 160 | -   | -   | -   | 1.8 to 5.5          | 2.5 to 6.5           | 77                       | N                                      | N   | -40 to 85             | I <sup>2</sup> C       | Bare die | N            |
| PCA8576FUG | 40                        | 80  | 120 | 160 | -   | -   | -   | 1.8 to 5.5          | 2.5 to 8             | 200                      | N                                      | N   | -40 to 105            | I <sup>2</sup> C       | Bare die | Y            |
| PCF85133U  | 80                        | 160 | 240 | 320 | -   | -   | -   | 1.8 to 5.5          | 2.5 to 6.5           | 82, 110 <sup>[2]</sup>   | N                                      | N   | -40 to 85             | I <sup>2</sup> C       | Bare die | N            |
| PCA85133U  | 80                        | 160 | 240 | 320 | -   | -   | -   | 1.8 to 5.5          | 2.5 to 8             | 82, 110 <sup>[2]</sup>   | N                                      | N   | -40 to 95             | I <sup>2</sup> C       | Bare die | Y            |



Table 30. Selection of LCD segment drivers ...continued

| Type name  | Number of elements at MUX |     |     |     |     |     |     | V <sub>DD</sub> (V) | V <sub>LCD</sub> (V) | f <sub>fr</sub> (Hz)      | V <sub>LCD</sub> (V)<br>charge<br>pump | V <sub>LCD</sub> (V)<br>temperature<br>compensat. | T <sub>amb</sub> (°C) | Interface              | Package  | AEC-<br>Q100 |
|------------|---------------------------|-----|-----|-----|-----|-----|-----|---------------------|----------------------|---------------------------|--|---|-----------------------|------------------------|----------|--------------|
|            | 1:1                       | 1:2 | 1:3 | 1:4 | 1:6 | 1:8 | 1:9 |                     |                      |                           |  |   |                       |                        |          |              |
| PCA85233UG | 80                        | 160 | 240 | 320 | -   | -   | -   | 1.8 to 5.5          | 2.5 to 8             | 150, 220 <sup>[2]</sup>   | N                                      | N   | -40 to 105            | I <sup>2</sup> C       | Bare die | Y            |
| PCF85132U  | 160                       | 320 | 480 | 640 | -   | -   | -   | 1.8 to 5.5          | 1.8 to 8             | 60 to 90 <sup>[1]</sup>   | N                                      | N   | -40 to 85             | I <sup>2</sup> C       | Bare die | N            |
| PCA8530DUG | 102                       | 204 | -   | 408 | -   | -   | -   | 2.5 to 5.5          | 4 to 12              | 45 to 300 <sup>[1]</sup>  | Y                                      | Y   | -40 to 105            | I <sup>2</sup> C / SPI | Bare die | Y            |
| PCA85132U  | 160                       | 320 | 480 | 640 | -   | -   | -   | 1.8 to 5.5          | 1.8 to 8             | 60 to 90 <sup>[1]</sup>   | N                                      | N   | -40 to 95             | I <sup>2</sup> C       | Bare die | Y            |
| PCA85232U  | 160                       | 320 | 480 | 640 | -   | -   | -   | 1.8 to 5.5          | 1.8 to 8             | 117 to 176 <sup>[1]</sup> | N                                      | N   | -40 to 95             | I <sup>2</sup> C       | Bare die | Y            |
| PCF8538UG  | 102                       | 204 | -   | 408 | 612 | 816 | 918 | 2.5 to 5.5          | 4 to 12              | 45 to 300 <sup>[1]</sup>  | Y                                      | Y   | -40 to 85             | I <sup>2</sup> C / SPI | Bare die | N            |
| PCA8538UG  | 102                       | 204 | -   | 408 | 612 | 816 | 918 | 2.5 to 5.5          | 4 to 12              | 45 to 300 <sup>[1]</sup>  | Y                                      | Y   | -40 to 105            | I <sup>2</sup> C / SPI | Bare die | Y            |

[1] Software programmable.

[2] Hardware selectable.

## 19. Abbreviations

**Table 31. Abbreviations**

| Acronym          | Description                    |
|------------------|--------------------------------|
| AEC              | Automotive Electronics Council |
| COG              | Chip-On-Glass                  |
| DC               | Direct Current                 |
| HBM              | Human Body Model               |
| IC               | Integrated Circuit             |
| I <sup>2</sup> C | Inter-Integrated Circuit       |
| ITO              | Indium Tin Oxide               |
| LCD              | Liquid Crystal Display         |
| LSB              | Least Significant Bit          |
| MM               | Machine Model                  |
| MSB              | Most Significant Bit           |
| POR              | Power-On Reset                 |
| RC               | Resistance and Capacitance     |
| RAM              | Random Access Memory           |
| RMS              | Root Mean Square               |
| SCL              | Serial CLock line              |
| SDA              | Serial DAta line               |

## 20. References

---

- [1] **AN10170** — Design guidelines for COG modules with NXP monochrome LCD drivers
- [2] **AN10706** — Handling bare die
- [3] **AN11267** — EMC and system level ESD design guidelines for LCD drivers
- [4] **IEC 60134** — Rating systems for electronic tubes and valves and analogous semiconductor devices
- [5] **IEC 61340-5** — Protection of electronic devices from electrostatic phenomena
- [6] **JESD22-A114** — Electrostatic Discharge (ESD) Sensitivity Testing Human Body Model (HBM)
- [7] **JESD22-A115** — Electrostatic Discharge (ESD) Sensitivity Testing Machine Model (MM)
- [8] **JESD78** — IC Latch-Up Test
- [9] **JESD625-A** — Requirements for Handling Electrostatic-Discharge-Sensitive (ESDS) Devices
- [10] **UM10204** — I<sup>2</sup>C-bus specification and user manual
- [11] **UM10569** — Store and transport requirements

## 21. Revision history

Table 32. Revision history

| Document ID    | Release date  | Data sheet status  | Change notice | Supersedes   |
|----------------|---|--------------------|---------------|--------------|
| PCA85132 v.4   | 20150409  | Product data sheet | -             | PCA85132 v.3 |
| Modifications: | <ul style="list-style-type: none"><li>• Changed description of backplane connections when cascading</li><li>• Fixed typos</li></ul> |                    |               |              |
| PCA85132 v.3   | 20130711  | Product data sheet | -             | PCA85132 v.2 |
| PCA85132 v.2   | 20120905  | Product data sheet | -             | PCA85132 v.1 |
| PCA85132 v.1   | 20100506  | Product data sheet | -             | -            |

## 22. Legal information

### 22.1 Data sheet status

| Document status <sup>[1][2]</sup> | Product status <sup>[3]</sup> | Definition  |
|-----------------------------------|-------------------------------|---|
| Objective [short] data sheet      | Development                   | This document contains data from the objective specification for product development. |
| Preliminary [short] data sheet    | Qualification                 | This document contains data from the preliminary specification.                       |
| Product [short] data sheet        | Production                    | This document contains the product specification.                                     |

[1] Please consult the most recently issued document before initiating or completing a design.

[2] The term 'short data sheet' is explained in section "Definitions".

[3] The product status of device(s) described in this document may have changed since this document was published and may differ in case of multiple devices. The latest product status information is available on the Internet at URL <http://www.nxp.com>.

### 22.2 Definitions

**Draft** — The document is a draft version only. The content is still under internal review and subject to formal approval, which may result in modifications or additions. NXP Semiconductors does not give any representations or warranties as to the accuracy or completeness of information included herein and shall have no liability for the consequences of use of such information.

**Short data sheet** — A short data sheet is an extract from a full data sheet with the same product type number(s) and title. A short data sheet is intended for quick reference only and should not be relied upon to contain detailed and full information. For detailed and full information see the relevant full data sheet, which is available on request via the local NXP Semiconductors sales office. In case of any inconsistency or conflict with the short data sheet, the full data sheet shall prevail.

**Product specification** — The information and data provided in a Product data sheet shall define the specification of the product as agreed between NXP Semiconductors and its customer, unless NXP Semiconductors and customer have explicitly agreed otherwise in writing. In no event however, shall an agreement be valid in which the NXP Semiconductors product is deemed to offer functions and qualities beyond those described in the Product data sheet.

### 22.3 Disclaimers

**Limited warranty and liability** — Information in this document is believed to be accurate and reliable. However, NXP Semiconductors does not give any representations or warranties, expressed or implied, as to the accuracy or completeness of such information and shall have no liability for the consequences of use of such information. NXP Semiconductors takes no responsibility for the content in this document if provided by an information source outside of NXP Semiconductors.

In no event shall NXP Semiconductors be liable for any indirect, incidental, punitive, special or consequential damages (including - without limitation - lost profits, lost savings, business interruption, costs related to the removal or replacement of any products or rework charges) whether or not such damages are based on tort (including negligence), warranty, breach of contract or any other legal theory.

Notwithstanding any damages that customer might incur for any reason whatsoever, NXP Semiconductors' aggregate and cumulative liability towards customer for the products described herein shall be limited in accordance with the *Terms and conditions of commercial sale* of NXP Semiconductors.

**Right to make changes** — NXP Semiconductors reserves the right to make changes to information published in this document, including without limitation specifications and product descriptions, at any time and without notice. This document supersedes and replaces all information supplied prior to the publication hereof.

**Suitability for use in automotive applications** — This NXP Semiconductors product has been qualified for use in automotive applications. Unless otherwise agreed in writing, the product is not designed, authorized or warranted to be suitable for use in life support, life-critical or safety-critical systems or equipment, nor in applications where failure or malfunction of an NXP Semiconductors product can reasonably be expected to result in personal injury, death or severe property or environmental damage. NXP Semiconductors and its suppliers accept no liability for inclusion and/or use of NXP Semiconductors products in such equipment or applications and therefore such inclusion and/or use is at the customer's own risk.

**Applications** — Applications that are described herein for any of these products are for illustrative purposes only. NXP Semiconductors makes no representation or warranty that such applications will be suitable for the specified use without further testing or modification.

Customers are responsible for the design and operation of their applications and products using NXP Semiconductors products, and NXP Semiconductors accepts no liability for any assistance with applications or customer product design. It is customer's sole responsibility to determine whether the NXP Semiconductors product is suitable and fit for the customer's applications and products planned, as well as for the planned application and use of customer's third party customer(s). Customers should provide appropriate design and operating safeguards to minimize the risks associated with their applications and products.

NXP Semiconductors does not accept any liability related to any default, damage, costs or problem which is based on any weakness or default in the customer's applications or products, or the application or use by customer's third party customer(s). Customer is responsible for doing all necessary testing for the customer's applications and products using NXP Semiconductors products in order to avoid a default of the applications and the products or of the application or use by customer's third party customer(s). NXP does not accept any liability in this respect.

**Limiting values** — Stress above one or more limiting values (as defined in the Absolute Maximum Ratings System of IEC 60134) will cause permanent damage to the device. Limiting values are stress ratings only and (proper) operation of the device at these or any other conditions above those given in the Recommended operating conditions section (if present) or the Characteristics sections of this document is not warranted. Constant or repeated exposure to limiting values will permanently and irreversibly affect the quality and reliability of the device.

**Terms and conditions of commercial sale** — NXP Semiconductors products are sold subject to the general terms and conditions of commercial sale, as published at <http://www.nxp.com/profile/terms>, unless otherwise agreed in a valid written individual agreement. In case an individual agreement is concluded only the terms and conditions of the respective agreement shall apply. NXP Semiconductors hereby expressly objects to applying the customer's general terms and conditions with regard to the purchase of NXP Semiconductors products by customer.

**No offer to sell or license** — Nothing in this document may be interpreted or construed as an offer to sell products that is open for acceptance or the grant, conveyance or implication of any license under any copyrights, patents or other industrial or intellectual property rights.

**Export control** — This document as well as the item(s) described herein may be subject to export control regulations. Export might require a prior authorization from competent authorities.

**Translations** — A non-English (translated) version of a document is for reference only. The English version shall prevail in case of any discrepancy between the translated and English versions.

**Bare die** — All die are tested on compliance with their related technical specifications as stated in this data sheet up to the point of wafer sawing and are handled in accordance with the NXP Semiconductors storage and transportation conditions. If there are data sheet limits not guaranteed, these will be separately indicated in the data sheet. There are no post-packing tests performed on individual die or wafers.

NXP Semiconductors has no control of third party procedures in the sawing, handling, packing or assembly of the die. Accordingly, NXP Semiconductors assumes no liability for device functionality or performance of the die or systems after third party sawing, handling, packing or assembly of the die. It is the responsibility of the customer to test and qualify their application in which the die is used.

All die sales are conditioned upon and subject to the customer entering into a written die sale agreement with NXP Semiconductors through its legal department.

## 22.4 Trademarks

Notice: All referenced brands, product names, service names and trademarks are the property of their respective owners.

**I<sup>2</sup>C-bus** — logo is a trademark of NXP Semiconductors N.V.

## 23. Contact information

For more information, please visit: <http://www.nxp.com>

For sales office addresses, please send an email to: [salesaddresses@nxp.com](mailto:salesaddresses@nxp.com)

## 24. Tables

|           |   |    |
|-----------|---|----|
| Table 1.  | Ordering information  | 2  |
| Table 2.  | Ordering options  | 2  |
| Table 3.  | Marking codes   | 2  |
| Table 4.  | Pin description   | 5  |
| Table 5.  | Definition of PCA85132 commands                             | 6  |
| Table 6.  | Mode-set - command bit description                          | 6  |
| Table 7.  | Load-data-pointer-MSB - command bit description             | 7  |
| Table 8.  | Load-data-pointer-LSB - command bit description             | 7  |
| Table 9.  | Device-select - command bit description                     | 7  |
| Table 10. | Bank-select - command bit description                       | 7  |
| Table 11. | Blink-select - command bit description                      | 8  |
| Table 12. | Frequency-ctrl - command bit description                    | 10 |
| Table 13. | Blink frequencies   | 10 |
| Table 14. | Selection of possible display configurations                | 12 |
| Table 15. | Biasing characteristics                                     | 13 |
| Table 16. | Standard RAM filling in 1:3 multiplex drive mode            | 25 |
| Table 17. | Entire RAM filling by rewriting in 1:3 multiplex drive mode | 25 |
| Table 18. | I <sup>2</sup> C slave address byte                         | 30 |
| Table 19. | Control byte description                                    | 31 |
| Table 20. | Limiting values   | 34 |
| Table 21. | Static characteristics                                      | 35 |
| Table 22. | Dynamic characteristics                                     | 38 |
| Table 23. | Addressing cascaded PCA85132                                | 44 |
| Table 24. | SYNC contact resistance                                     | 45 |
| Table 25. | Bump locations  | 50 |
| Table 26. | Dummy bumps   | 52 |
| Table 27. | Alignment marks   | 53 |
| Table 28. | Gold bump hardness  | 53 |
| Table 29. | Description of tray details                                 | 54 |
| Table 30. | Selection of LCD segment drivers                            | 56 |
| Table 31. | Abbreviations   | 58 |
| Table 32. | Revision history  | 60 |

## 25. Figures

|         |   |    |
|---------|---|----|
| Fig 1.  | Block diagram of PCA85132   | 3  |
| Fig 2.  | Pinning diagram of PCA85132   | 4  |
| Fig 3.  | Frequency generation of the PCA85132  | 9  |
| Fig 4.  | Example of displays suitable for PCA85132   | 12 |
| Fig 5.  | Typical system configuration  | 12 |
| Fig 6.  | Electro-optical characteristic: relative transmission curve of the liquid   | 15 |
| Fig 7.  | Static drive mode waveforms   | 16 |
| Fig 8.  | Waveforms for the 1:2 multiplex drive mode with $\frac{1}{2}$ bias  | 17 |
| Fig 9.  | Waveforms for the 1:2 multiplex drive mode with $\frac{1}{3}$ bias  | 18 |
| Fig 10. | Waveforms for the 1:3 multiplex drive mode with $\frac{1}{3}$ bias  | 19 |
| Fig 11. | Waveforms for the 1:4 multiplex drive mode with $\frac{1}{3}$ bias  | 20 |
| Fig 12. | Display RAM bitmap  | 22 |
| Fig 13. | Relationships between LCD layout, drive mode, display RAM filling order, and display data transmitted over the I <sup>2</sup> C-bus | 23 |
| Fig 14. | RAM banks in static and multiplex driving mode 1:2  | 26 |
| Fig 15. | Bank selection  | 27 |
| Fig 16. | Example of the Bank-select command with multiplex drive mode 1:2  | 27 |
| Fig 17. | Bit transfer  | 28 |
| Fig 18. | Definition of START and STOP conditions   | 28 |
| Fig 19. | System configuration  | 29 |
| Fig 20. | Acknowledgement on the I <sup>2</sup> C-bus   | 29 |
| Fig 21. | I <sup>2</sup> C-bus protocol   | 31 |
| Fig 22. | Control byte format   | 31 |
| Fig 23. | Device protection diagram   | 33 |
| Fig 24. | I <sub>DD</sub> with respect to V <sub>DD</sub>   | 36 |
| Fig 25. | I <sub>DD(LCD)</sub> with respect to V <sub>LCD</sub>   | 37 |
| Fig 26. | Typical clock frequency (f <sub>clk</sub> ) with respect to V <sub>DD</sub>   | 39 |
| Fig 27. | Frame frequency variation   | 39 |
| Fig 28. | Driver timing waveforms   | 40 |
| Fig 29. | I <sup>2</sup> C-bus timing waveforms when SDA and SDAACK are connected   | 40 |
| Fig 30. | Values for R <sub>PU(max)</sub>   | 42 |
| Fig 31. | Values for R <sub>PU(min)</sub>   | 42 |
| Fig 32. | Operating range of the PCA85132 with respect to the ITO track resistance  | 43 |
| Fig 33. | SDA, SDAACK configurations  | 44 |
| Fig 34. | Cascaded configuration with two PCA85132 using the internal clock of the master   | 46 |
| Fig 35. | Cascaded configuration with one PCA85132 and one PCA85133 using the internal clock of the master                                    | 47 |
| Fig 36. | Synchronization of the cascade for the various PCA85132 drive modes   | 48 |
| Fig 37. | Bare die outline of PCA85132  | 49 |
| Fig 38. | Alignment marks   | 53 |
| Fig 39. | Tray details  | 54 |
| Fig 40. | Tray alignment  | 55 |



26. Contents

|          |  |           |           |   |           |
|----------|--|-----------|-----------|---|-----------|
| <b>1</b> | <b>General description</b> . . . . .                       | <b>1</b>  | 8.1       | Bit transfer . . . . .                                    | 28        |
| <b>2</b> | <b>Features and benefits</b> . . . . .                     | <b>1</b>  | 8.1.1     | START and STOP conditions. . . . .                        | 28        |
| <b>3</b> | <b>Ordering information</b> . . . . .                      | <b>2</b>  | 8.2       | System configuration . . . . .                            | 28        |
| 3.1      | Ordering options . . . . .                                 | 2         | 8.3       | Acknowledge . . . . .                                     | 29        |
| <b>4</b> | <b>Marking</b> . . . . .                                   | <b>2</b>  | 8.4       | I <sup>2</sup> C-bus controller . . . . .                 | 30        |
| <b>5</b> | <b>Block diagram</b> . . . . .                             | <b>3</b>  | 8.5       | Input filters . . . . .                                   | 30        |
| <b>6</b> | <b>Pinning information</b> . . . . .                       | <b>4</b>  | 8.6       | I <sup>2</sup> C-bus protocol . . . . .                   | 30        |
| 6.1      | Pinning . . . . .  | 4         | <b>9</b>  | <b>Internal circuitry</b> . . . . .                       | <b>33</b> |
| 6.2      | Pin description . . . . .                                  | 5         | <b>10</b> | <b>Safety notes</b> . . . . .                             | <b>33</b> |
| <b>7</b> | <b>Functional description</b> . . . . .                    | <b>6</b>  | <b>11</b> | <b>Limiting values</b> . . . . .                          | <b>34</b> |
| 7.1      | Commands of PCA85132 . . . . .                             | 6         | <b>12</b> | <b>Static characteristics</b> . . . . .                   | <b>35</b> |
| 7.1.1    | Command: mode-set . . . . .                                | 6         | <b>13</b> | <b>Dynamic characteristics</b> . . . . .                  | <b>38</b> |
| 7.1.2    | Command: load-data-pointer . . . . .                       | 7         | <b>14</b> | <b>Application information</b> . . . . .                  | <b>41</b> |
| 7.1.3    | Command: device-select . . . . .                           | 7         | 14.1      | Pull-up resistor sizing on I <sup>2</sup> C-bus . . . . . | 41        |
| 7.1.4    | Command: bank-select . . . . .                             | 7         | 14.1.1    | Max value of pull-up resistor . . . . .                   | 41        |
| 7.1.5    | Command: blink-select . . . . .                            | 8         | 14.1.2    | Min value of pull-up resistor . . . . .                   | 41        |
| 7.1.6    | Clock frequency and timing . . . . .                       | 8         | 14.2      | ITO track resistance . . . . .                            | 42        |
| 7.1.6.1  | Clock source selection . . . . .                           | 8         | 14.3      | SDA and SDAACK configuration . . . . .                    | 44        |
| 7.1.6.2  | Internal clock . . . . .                                   | 9         | 14.4      | Cascaded operation . . . . .                              | 44        |
| 7.1.6.3  | External clock . . . . .                                   | 9         | <b>15</b> | <b>Test information</b> . . . . .                         | <b>48</b> |
| 7.1.6.4  | Frame frequency . . . . .                                  | 9         | 15.1      | Quality information . . . . .                             | 48        |
| 7.1.6.5  | Command: frequency-ctrl . . . . .                          | 10        | <b>16</b> | <b>Bare die outline</b> . . . . .                         | <b>49</b> |
| 7.1.6.6  | Blinking . . . . .   | 10        | <b>17</b> | <b>Packing information</b> . . . . .                      | <b>54</b> |
| 7.2      | Power-On Reset (POR) . . . . .                             | 11        | 17.1      | Tray information . . . . .                                | 54        |
| 7.3      | Possible display configurations . . . . .                  | 11        | <b>18</b> | <b>Appendix</b> . . . . .                                 | <b>56</b> |
| 7.3.1    | LCD bias generator . . . . .                               | 13        | 18.1      | LCD segment driver selection . . . . .                    | 56        |
| 7.3.2    | Display register . . . . .                                 | 13        | <b>19</b> | <b>Abbreviations</b> . . . . .                            | <b>58</b> |
| 7.3.3    | LCD voltage selector . . . . .                             | 13        | <b>20</b> | <b>References</b> . . . . .                               | <b>59</b> |
| 7.3.3.1  | Electro-optical performance . . . . .                      | 14        | <b>21</b> | <b>Revision history</b> . . . . .                         | <b>60</b> |
| 7.3.4    | LCD drive mode waveforms . . . . .                         | 16        | <b>22</b> | <b>Legal information</b> . . . . .                        | <b>61</b> |
| 7.3.4.1  | Static drive mode . . . . .                                | 16        | 22.1      | Data sheet status . . . . .                               | 61        |
| 7.3.4.2  | 1:2 multiplex drive mode . . . . .                         | 17        | 22.2      | Definitions . . . . .                                     | 61        |
| 7.3.4.3  | 1:3 multiplex drive mode . . . . .                         | 19        | 22.3      | Disclaimers . . . . .                                     | 61        |
| 7.3.4.4  | 1:4 multiplex drive mode . . . . .                         | 20        | 22.4      | Trademarks . . . . .                                      | 62        |
| 7.4      | Backplane and segment outputs . . . . .                    | 21        | <b>23</b> | <b>Contact information</b> . . . . .                      | <b>62</b> |
| 7.4.1    | Backplane outputs . . . . .                                | 21        | <b>24</b> | <b>Tables</b> . . . . .                                   | <b>63</b> |
| 7.4.2    | Segment outputs . . . . .                                  | 21        | <b>25</b> | <b>Figures</b> . . . . .                                  | <b>64</b> |
| 7.5      | Display RAM . . . . .                                      | 21        | <b>26</b> | <b>Contents</b> . . . . .                                 | <b>65</b> |
| 7.5.1    | Data pointer . . . . .                                     | 24        |           |   |           |
| 7.5.2    | Subaddress counter . . . . .                               | 24        |           |   |           |
| 7.5.3    | RAM writing in 1:3 multiplex drive mode . . . . .          | 24        |           |   |           |
| 7.5.4    | Bank selection . . . . .                                   | 25        |           |   |           |
| 7.5.4.1  | Output bank selector . . . . .                             | 25        |           |   |           |
| 7.5.4.2  | Input bank selector . . . . .                              | 26        |           |   |           |
| 7.5.4.3  | RAM bank switching . . . . .                               | 26        |           |   |           |
| <b>8</b> | <b>Characteristics of the I<sup>2</sup>C-bus</b> . . . . . | <b>27</b> |           |   |           |

Please be aware that important notices concerning this document and the product(s) described herein, have been included in section 'Legal information'.



## Стандарт Электрон Связь

Мы молодая и активно развивающаяся компания в области поставок электронных компонентов. Мы поставляем электронные компоненты отечественного и импортного производства напрямую от производителей и с крупнейших складов мира.

Благодаря сотрудничеству с мировыми поставщиками мы осуществляем комплексные и плановые поставки широчайшего спектра электронных компонентов.

Собственная эффективная логистика и склад в обеспечивает надежную поставку продукции в точно указанные сроки по всей России.

Мы осуществляем техническую поддержку нашим клиентам и предпродажную проверку качества продукции. На все поставляемые продукты мы предоставляем гарантию .

Осуществляем поставки продукции под контролем ВП МО РФ на предприятия военно-промышленного комплекса России , а также работаем в рамках 275 ФЗ с открытием отдельных счетов в уполномоченном банке. Система менеджмента качества компании соответствует требованиям ГОСТ ISO 9001.

Минимальные сроки поставки, гибкие цены, неограниченный ассортимент и индивидуальный подход к клиентам являются основой для выстраивания долгосрочного и эффективного сотрудничества с предприятиями радиоэлектронной промышленности, предприятиями ВПК и научно-исследовательскими институтами России.

С нами вы становитесь еще успешнее!

### Наши контакты:

**Телефон:** +7 812 627 14 35

**Электронная почта:** [sales@st-electron.ru](mailto:sales@st-electron.ru)

**Адрес:** 198099, Санкт-Петербург,  
Промышленная ул, дом № 19, литера Н,  
помещение 100-Н Офис 331