

WIDEBAND MMIC VCO WITH BUFFER AMPLIFIER 6 - 12 GHz



Typical Applications

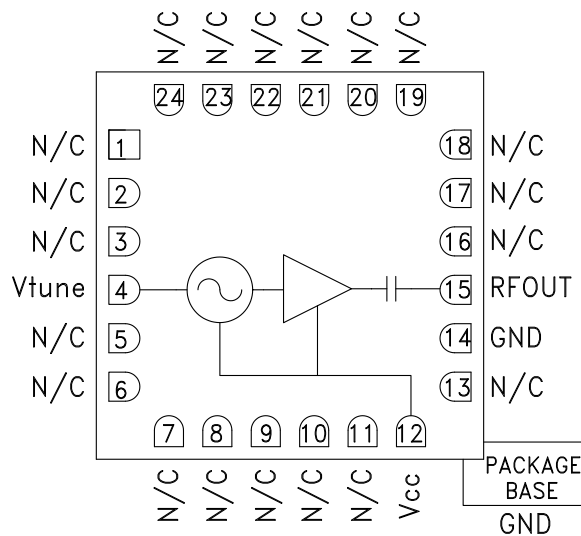
Low Noise wideband MMIC VCO is ideal for:

- Industrial/Medical Equipment
- Test & Measurement Equipment
- Military Radar, EW & ECM

Features

- Wide Tuning Bandwidth
- Pout: +1 dBm
- Low SSB Phase Noise: -95 dBc/Hz @100 kHz
- No External Resonator Needed
- Single Positive Supply: +5V @ 57 mA
- 24 Lead Ceramic 4x4 mm SMT Package: 16 mm²

Functional Diagram



General Description

The HMC732LC4B is a wideband MMIC Voltage Controlled Oscillator which incorporates the resonator, negative resistance device, and varactor diode. Output power and phase noise performance are excellent over temperature due to the oscillator's monolithic construction. The Vtune port accepts an analog tuning voltage from 0 to +23V. The HMC732LC4B VCO operates from a single +5V supply, consumes only 57 mA of current, and is housed in a RoHS compliant SMT package. This wideband VCO uniquely combines the attributes of ultra small size, low phase noise, low power consumption, and wide tuning range.

Electrical Specifications, $T_A = +25\text{ }^\circ\text{C}$, $V_{cc} = +5V$ [1]

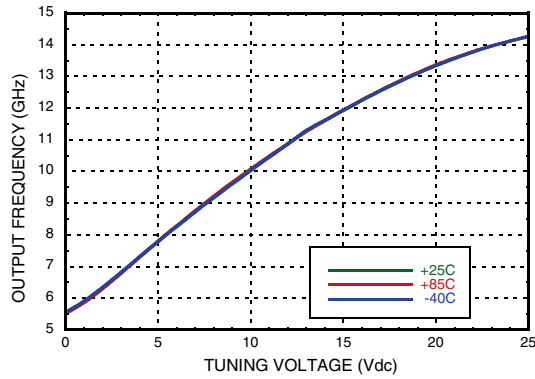
| Parameter | Min. | Typ. | Max. | Units |
|--|--------|------|------|-----------------------|
| Frequency Range | 6 - 12 | | | GHz |
| Power Output | | 1 | | dBm |
| SSB Phase Noise @ 10 kHz Offset | | -65 | | dBc/Hz |
| SSB Phase Noise @ 100 kHz Offset | | -95 | | dBc/Hz |
| Tune Voltage (Vtune) | 0 | | 23 | V |
| Supply Current (Icc) (Vcc = +5V) | | 57 | | mA |
| Tune Port Leakage Current (Vtune = +23V) | | 10 | | μA |
| Output Return Loss | | 15 | | dB |
| 2nd Harmonic | | -12 | | dBc |
| Pulling (into a 2.0:1 VSWR) | | 7 | | MHz pp |
| Pushing @ Vtune= +20V, F = 12 GHz | | -85 | | MHz/V |
| Frequency Drift Rate @ 6 GHz | | 0.4 | | MHz/ $^\circ\text{C}$ |
| Frequency Drift Rate @ 12 GHz | | 0.25 | | MHz/ $^\circ\text{C}$ |

[1] A load VSWR of $\leq 2.0:1$, across the frequency range of 0.01-14 GHz, is required for proper operation.

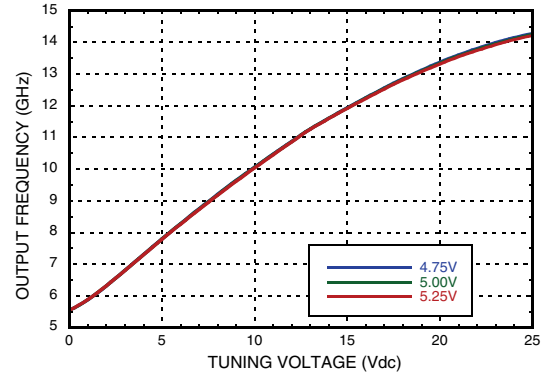
WIDEBAND MMIC VCO WITH BUFFER AMPLIFIER
6 - 12 GHz



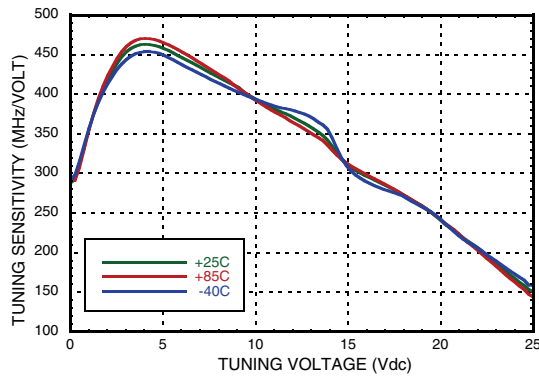
Frequency vs. Tuning Voltage, Vcc = +5V



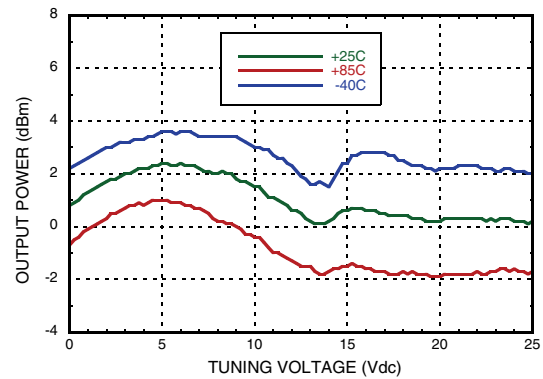
Frequency vs. Tuning Voltage, T = +25 °C



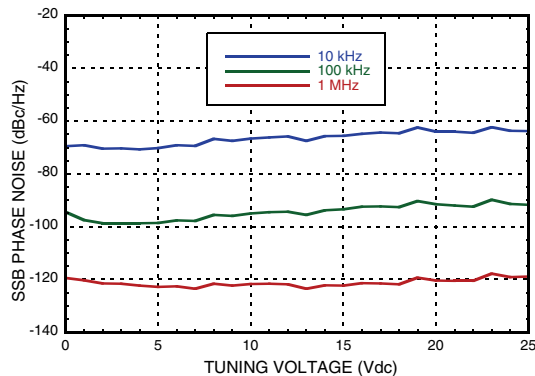
Sensitivity vs. Tuning Voltage, Vcc = +5V



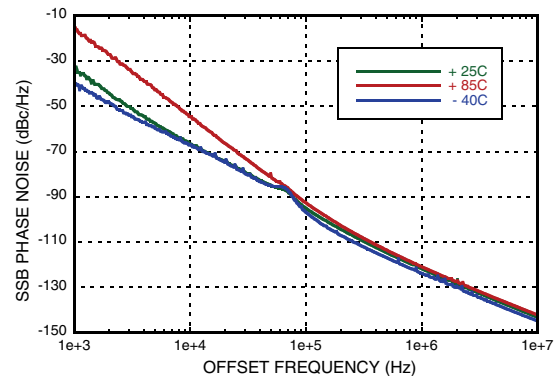
Output Power vs. Tuning Voltage, Vcc = +5V



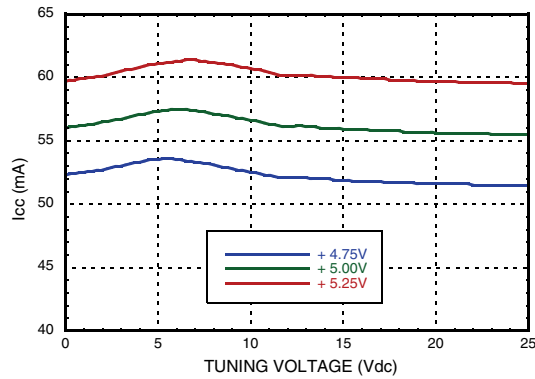
SSB Phase Noise vs. Tuning Voltage



Typical SSB Phase Noise @ Vtune = +5V



**WIDEBAND MMIC VCO WITH BUFFER AMPLIFIER
6 - 12 GHz**

Supply Current vs. Vcc, T = 25 °C

Absolute Maximum Ratings

| | |
|-----------------------|-------------------|
| Vcc | +5.5 V |
| Vtune | -1 to +25V |
| Storage Temperature | -65 °C to +150 °C |
| ESD Sensitivity (HBM) | Class 1A |

Reliability Information

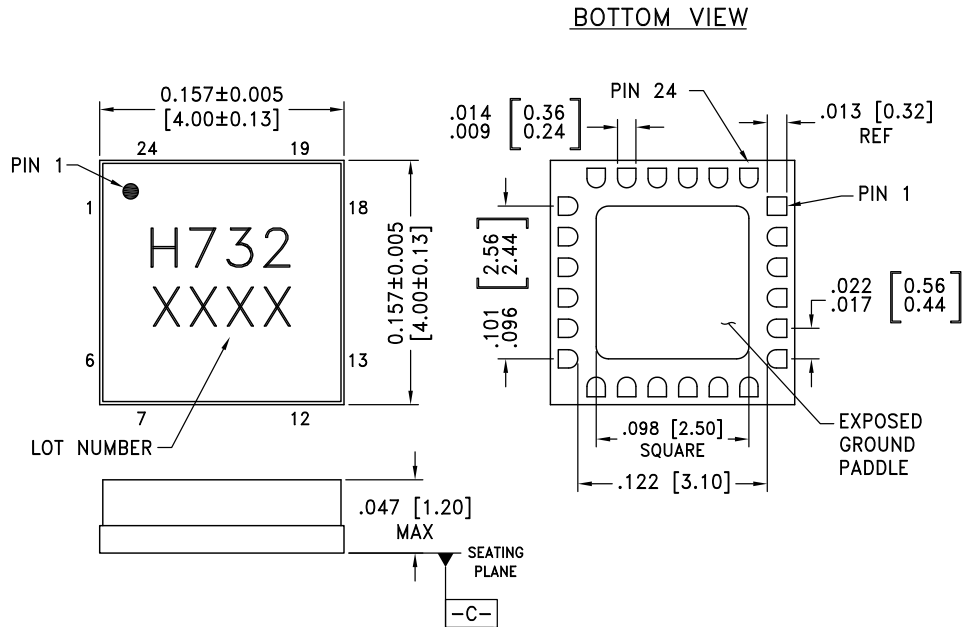
| | |
|---|-------------------|
| Junction Temperature To Maintain 1 Million Hour MTTF | 135 °C |
| Nominal Junction Temperature (T = 85 °C) | 110 °C |
| Thermal Resistance (Junction to GND paddle, 5V supply) | 91 °C/W |
| Operating Temperature | -40 °C to + 85 °C |



**ELECTROSTATIC SENSITIVE DEVICE
OBSERVE HANDLING PRECAUTIONS**



Outline Drawing



NOTES:

1. PACKAGE BODY MATERIAL: ALUMINA
2. LEAD AND GROUND PADDLE PLATING: GOLD FLASH OVER NI.
3. DIMENSIONS ARE IN INCHES [MILLIMETERS].
4. LEAD SPACING TOLERANCE IS NON-CUMULATIVE.
5. PACKAGE WARP SHALL NOT EXCEED 0.05mm DATUM -C-
6. ALL GROUND LEADS AND GROUND PADDLE MUST BE SOLDERED TO PCB RF GROUND.

Package Information

| Part Number | Package Body Material | Lead Finish | MSL Rating | Package Marking ^[2] |
|-------------|-----------------------|------------------|---------------------|--------------------------------|
| HMC732LC4B | Alumina, White | Gold over Nickel | MSL3 ^[1] | H732 XXXX |

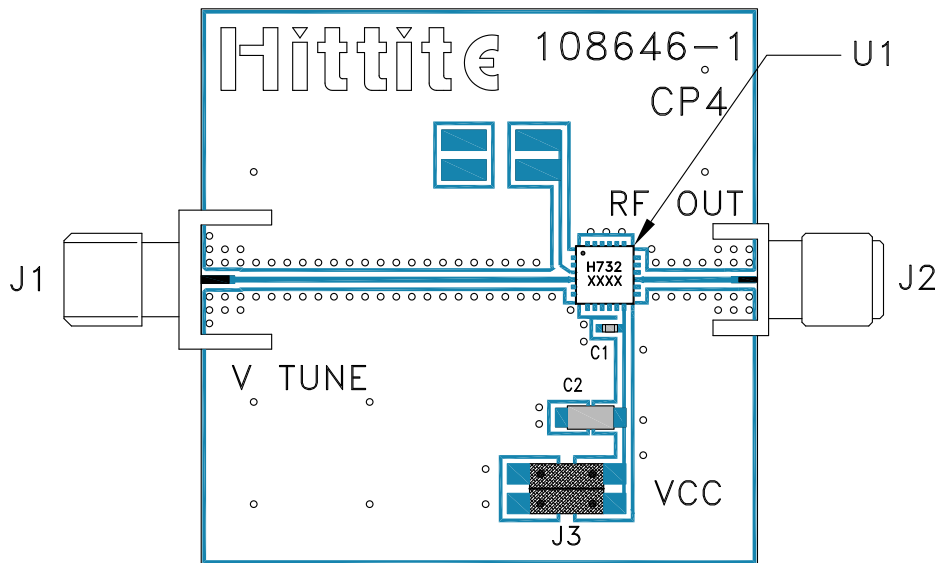
[1] Max peak reflow temperature of 260 °C

[2] 4-Digit lot number XXXX

WIDEBAND MMIC VCO WITH BUFFER AMPLIFIER
6 - 12 GHz

Pin Descriptions

| Pin Number | Function | Description | Interface Schematic |
|----------------------------|----------|---|--|
| 1 - 3, 5 - 11, 13, 16 - 24 | N/C | No Connection. These pins may be connected to RF/DC ground. Performance will not be affected. | |
| 4 | Vtune | Control Voltage and Modulation Input. Modulation bandwidth dependent on drive source impedance. See "Determining the FM Bandwidth of a Wideband Varactor Tuned VCO" application note. |  |
| 12 | Vcc | Supply Voltage Vcc= +5V |  |
| 14 | GND | Package bottom has an exposed metal paddle that must also be RF & DC grounded. |  |
| 15 | RFOUT | RF output (AC coupled) (A load VSWR of $\leq 2.0:1$, across the frequency range of 0.01-14 GHz, is required for proper operation.) |  |


Evaluation PCB

List of Materials for Evaluation PCB 108648 [1]

| Item | Description |
|---------|---------------------------------|
| J1 | RF Connector, SMA |
| J2 | RF Connector, SMA |
| J3 | DC Header |
| C1 | 1000 pF Capacitor, 0402 Pkg. |
| C2 | 4.7 μ F Capacitor, Tantalum |
| U1 | HMC732LC4B VCO |
| PCB [2] | 108646 Eval Board |

[1] Reference this number when ordering complete evaluation PCB

[2] Circuit Board Material: Arlon 25FR or Rogers 4350

The circuit board used in the application should use RF circuit design techniques. Signal lines should have 50 Ohm impedance while the package ground leads and exposed ground paddle should be connected directly to the ground plane similar to that shown. A sufficient number of via holes should be used to connect the top and bottom ground planes. The evaluation circuit board shown is available from Hittite upon request.



Стандарт Электрон Связь

Мы молодая и активно развивающаяся компания в области поставок электронных компонентов. Мы поставляем электронные компоненты отечественного и импортного производства напрямую от производителей и с крупнейших складов мира.

Благодаря сотрудничеству с мировыми поставщиками мы осуществляем комплексные и плановые поставки широчайшего спектра электронных компонентов.

Собственная эффективная логистика и склад в обеспечивает надежную поставку продукции в точно указанные сроки по всей России.

Мы осуществляем техническую поддержку нашим клиентам и предпродажную проверку качества продукции. На все поставляемые продукты мы предоставляем гарантию .

Осуществляем поставки продукции под контролем ВП МО РФ на предприятия военно-промышленного комплекса России , а также работаем в рамках 275 ФЗ с открытием отдельных счетов в уполномоченном банке. Система менеджмента качества компании соответствует требованиям ГОСТ ISO 9001.

Минимальные сроки поставки, гибкие цены, неограниченный ассортимент и индивидуальный подход к клиентам являются основой для выстраивания долгосрочного и эффективного сотрудничества с предприятиями радиоэлектронной промышленности, предприятиями ВПК и научно-исследовательскими институтами России.

С нами вы становитесь еще успешнее!

Наши контакты:

Телефон: +7 812 627 14 35

Электронная почта: sales@st-electron.ru

Адрес: 198099, Санкт-Петербург,
Промышленная ул, дом № 19, литера Н,
помещение 100-Н Офис 331