

NLAS3157, NLAS3257

Low Voltage SPDT Mux / Demux Analog Switch

The NLAS3157 Mux / Demux Analog Switch is an advanced high-speed single-pole double-throw (SPDT) CMOS switch. It can be used as an analog switch or as a low-delay bus switch. Break-before-make switching prevents both switches being enabled simultaneously. This eliminates signal disruption during switching. The control input, S, is independent of supply voltage line switch in an ultra-small footprint.

Features

- High Speed: $t_{PD} = 0.25$ ns (Max) @ $V_{CC} = 4.5$ V
- R_{ON} : 8.5Ω Typ @ $V_{CC} = 4.2$ V
- C_{ON} : 7.5 pF Typ @ $V_{CC} = 3.3$ V
- V_{CC} Range: 1.65 V to 4.5 V
- Ultra-Small 1×1 mm Package
- This Device is Pb-Free, Halogen Free/BFR Free and RoHS Compliant

Typical Applications

- Mobile Phones, PDAs, Camera

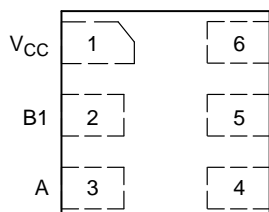


Figure 1. ULLGA6 (NLAS3157)
(Top View)

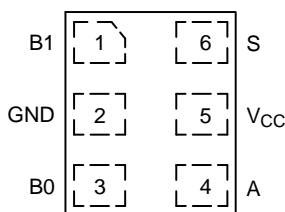


Figure 2. XLLGA6 (NLAS3257)
(Top View)

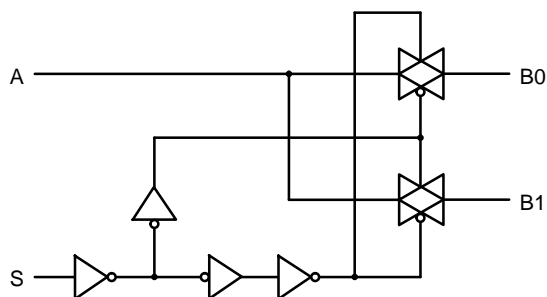


Figure 3. Logic Diagram



ON Semiconductor®

www.onsemi.com

MARKING DIAGRAMS



ULLGA6
1.0 x 1.0
CASE 613AD



Y = Specific Device Code
M = Date Code



XLLGA6
1.0 x 1.0
CASE 713AD



L = Specific Device Code
M = Date Code

FUNCTION TABLE

Input S	Function
L	A = B0
H	A = B1

ORDERING INFORMATION

See detailed ordering and shipping information on page 5 of this data sheet.

NLAS3157, NLAS3257

Table 1. MAXIMUM RATINGS

Symbol	Parameter	Value	Unit
V _{CC}	DC Supply Voltage	-0.5 to +5.5	V
V _{IN}	Control Input Voltage (S Pin)	-0.5 to +5.5	V
V _{IS}	Switch Input / Output Voltage (A, BO, B1 Pins)	-0.5 to V _{CC} + 0.5	V
I _{IK}	Control DC Input Diode Current (S Pin) V_{IN} < GND	-50	mA
I _{OK}	Switch I/O Port DC Diode Current (A, BO, B1 Pins) V_{I/O} < GND or V_{I/O} > V_{CC}	±50	mA
I _O	On-State Switch Current	±128	mA
	Continuous Current Through V _{CC} or GND	±150	mA
I _{CC}	DC Supply Current per Supply Pin	±150	mA
I _{GND}	DC Ground Current per Ground Pin	±150	mA
T _{STG}	Storage Temperature Range	-65 to +150	°C
T _L	Lead Temperature, 1 mm from Case for 10 Seconds	260	°C
T _J	Junction Temperature Under Bias	150	°C
θ _{JA}	Thermal Resistance (Note 1)	407	°C/W
P _D	Power Dissipation in Still Air at 85°C (Note 1)	1.5	mW
MSL	Moisture Sensitivity	Level 1	
F _R	Flammability Rating Oxygen Index: 28 to 34	UL 94 V-0 @ 0.125 in	
V _{ESD}	ESD Withstand Voltage Human Body Mode (Note 2) Machine Mode (Note 3) Charged Device Mode (Note 4)	>8000 >300 >2000	V
I _{LATCHUP}	Latchup Performance Above V _{CC} and Below GND at 85°C (Note 5)	±100	mA

Stresses exceeding those listed in the Maximum Ratings table may damage the device. If any of these limits are exceeded, device functionality should not be assumed, damage may occur and reliability may be affected.

1. Measured with minimum pad spacing on an FR4 board, using 10 mm-by-1 inch, 2 ounce copper trace no air flow.
2. Tested to EIA/ JESD22-A114-A
3. Tested to EIA/ JESD22-A115-A
4. Tested to JESD22-C101-A
5. Tested to EIA / JESD78

Table 2. RECOMMENDED OPERATING CONDITIONS

Symbol	Parameter	Min	Max	Unit
V _{CC}	Positive DC Supply Voltage	1.65	4.5	V
V _I	Control Input Voltage (S Pin)	0	4.5	V
V _{IS}	Switch Input / Output Voltage (A, BO, B1 Pins)	0	V _{CC}	V
T _A	Operating Free-Air Temperature	-40	+85	°C
Δt / ΔV	Input Transition Rise or Fall Rate Control Input Switch I/O	0	5	ns/V
		0	DC	

Functional operation above the stresses listed in the Recommended Operating Ranges is not implied. Extended exposure to stresses beyond the Recommended Operating Ranges limits may affect device reliability.

NLAS3157, NLAS3257

Table 3. DC ELECTRICAL CHARACTERISTICS (Typical: T = 25°C, V_{CC} = 3.3 V)

Symbol	Parameter	Test Conditions	V _{CC} (V)	-40°C to +85°C			Unit
				Min	Typ	Max	
V _{IH}	Control Input, HIGH Voltage		1.65 2.7 3.3 4.2	0.75 1.25 1.52 1.94			V
V _{IL}	Control Input, LOW Voltage		1.65 2.7 3.3 4.2			0.25 0.4 0.4 0.5	V
I _{IN}	Control Input, Leakage Current	0 ≤ V _{IS} ≤ V _{CC}	1.65 – 4.5			±1.0	μA
I _{CC}	Quiescent Supply Current	V _{IS} = V _{CC} or GND; I _D = 0 A	1.65 – 4.5			1.0	μA
I _{NC (OFF)} I _{NO (OFF)}	NC or NO Leakage Current	V _{IS} = 1.65 V to 4.5 V	4.5		±10	±100	nA
I _{COM (ON)}	COM ON Leakage Current	V _{IS} = 1.65 V to 4.5 V	4.5		±10	±100	nA

ON RESISTANCE (Typical: T = 25°C)

R _{ON}	Peak On-Resistance	I _{ON} = 8 mA V _{IS} = 0 V to V _{CC}	1.65 2.7 3.3 4.2		15.4 10.8 9.5 8.5	23.2 12.4 11.0 9.9	Ω
R _{FLAT}	On-Resistance Flatness	I _{ON} = 8 mA V _{IS} = 0 V to V _{CC}	1.65 2.7 3.3 4.2		5.5 2.9 2.7 2.8	10.2 3.3 3.3 3.3	Ω
ΔR _{ON}	Delta On-Resistance	I _{ON} = 8 mA V _{IS} = 0 V to V _{CC}	1.65 2.7 3.3 4.2		0.3 0.3 0.3 0.3	0.35 0.35 0.35 0.35	Ω

Product parametric performance is indicated in the Electrical Characteristics for the listed test conditions, unless otherwise noted. Product performance may not be indicated by the Electrical Characteristics if operated under different conditions.

Table 4. AC ELECTRICAL CHARACTERISTICS

Symbol	Parameter	Test Conditions	V _{CC} (V)	-40°C to +85°C			Unit
				Min	Typ	Max	

TIMING/FREQUENCY (Typical: T = 25°C, V_{CC} = 3.3 V, R_L = 50 Ω, C_L = 35 pF, f = 1 MHz)

t _{PD}	Propagation Delay, A to Bn or Bn to A	(See Figures 4 and 5)	1.65 – 4.5			0.25	ns
t _{ON}	Turn-ON Time	(See Figures 7 and 8)	1.65 – 4.5	3.1	13.0	30.0	ns
t _{OFF}	Turn-OFF Time	(See Figures 7 and 8)	1.65 – 4.5	3.4	12.0	25.0	ns
T _{BBM}	Break-Before-Make Time	(See Figure 6)	1.65 – 4.5	2.0			ns
BW	-3 dB Bandwidth	C _L = 5 pF	1.65 – 4.5		1000		MHz

ISOLATION (Typical: T = 25°C, V_{CC} = 3.3 V, R_L = 50 Ω, C_L = 5 pF)

O _{IRR}	OFF-Isolation	f = 240 MHz (See Figure 9)	1.65 – 4.5		-21		dB
X _{TALK}	Non-Adjacent Channel Crosstalk	f = 240 MHz	1.65 – 4.5		-21		dB

NLAS3157, NLAS3257

Table 4. AC ELECTRICAL CHARACTERISTICS

CAPACITANCE (Typical: T = 25°C)

C_{IN}	Control Pin Input Capacitance	$V_{CC} = 0\text{ V}$, $f = 1\text{ MHz}$	1.5		pF
		$V_{CC} = 0\text{ V}$, $f = 10\text{ MHz}$	1.0		
C_{ON}	ON Capacitance	$V_{CC} = 3.3\text{ V}$; $OE = 0\text{ V}$, $S = 0\text{ V}$ or 3.3 V , $f = 1\text{ MHz}$	7.5		
		$V_{CC} = 3.3\text{ V}$; $OE = 0\text{ V}$, $S = 0\text{ V}$ or 3.3 V , $f = 10\text{ MHz}$	6.5		
C_{OFF}	OFF Capacitance	$V_{CC} = V_{IS} = 3.3\text{ V}$; $OE = 0\text{ V}$, $S = 3.3\text{ V}$ or 0 V , $f = 1\text{ MHz}$	3.8		
		$V_{CC} = V_{IS} = 3.3\text{ V}$; $OE = 0\text{ V}$, $S = 3.3\text{ V}$ or 0 V , $f = 10\text{ MHz}$	2.0		

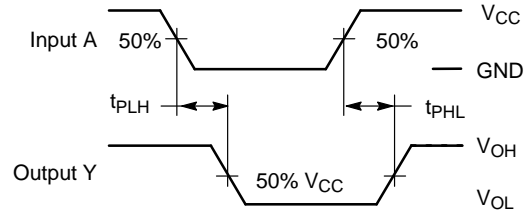
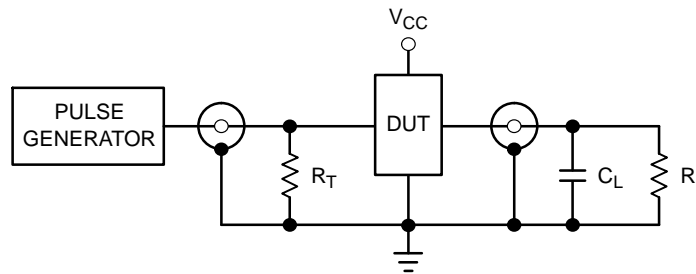


Figure 4. Propagation Delay Waveforms



$R_T = Z_{OUT}$ of pulse generator (typically $50\ \Omega$)

Figure 5. Propagation Delay Test Circuit

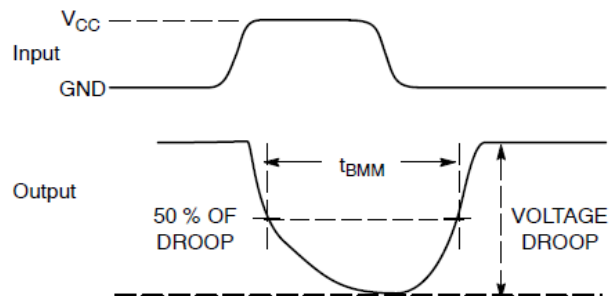
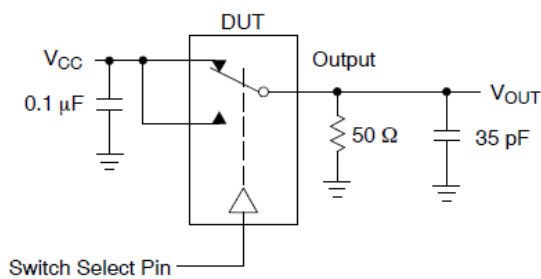


Figure 6. t_{BMM} (Time Break-Before-Make)

NLAS3157, NLAS3257

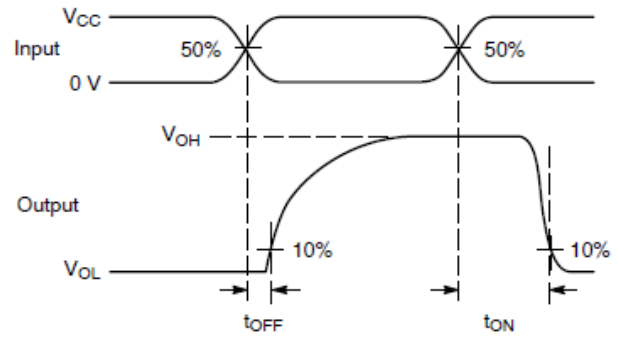
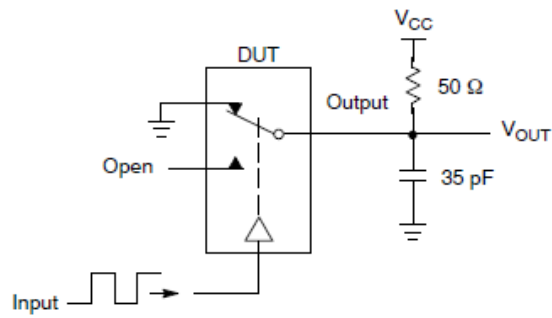


Figure 7. t_{ON} / t_{OFF}

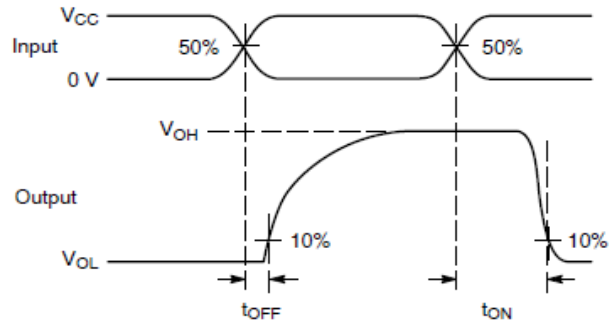
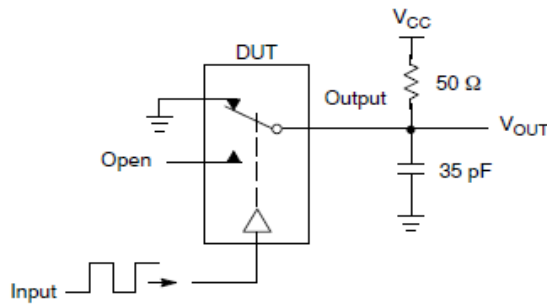
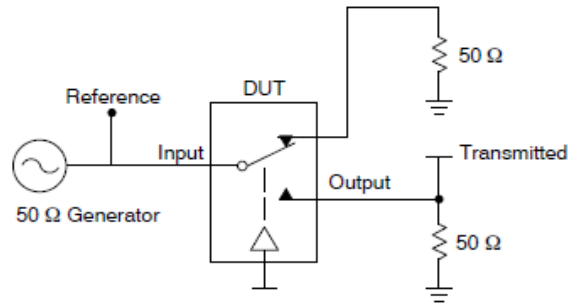


Figure 8. t_{ON} / t_{OFF}



Channel switch control/s test socket is normalized. Off isolation is measured across an off channel. On loss is the bandwidth of an On switch. V_{ISO} , Bandwidth and V_{ONL} are independent of the input signal direction.

$$V_{ISO} = \text{Off Channel Isolation} = 20 \text{ Log} \left(\frac{V_{OUT}}{V_{IN}} \right) \text{ for } V_{IN} \text{ at } 100 \text{ kHz}$$

$$V_{ONL} = \text{On Channel Loss} = 20 \text{ Log} \left(\frac{V_{OUT}}{V_{IN}} \right) \text{ for } V_{IN} \text{ at } 100 \text{ kHz to } 50 \text{ MHz}$$

Bandwidth (BW) = the frequency 3 dB below V_{ONL}

V_{CT} = Use V_{ISO} setup and test to all other switch analog input/outputs terminated with 50 Ω

Figure 9. Off Channel Isolation / On Channel Loss (BW)/Crosstalk (On Channel to Off Channel) / V_{ONL}

ORDERING INFORMATION

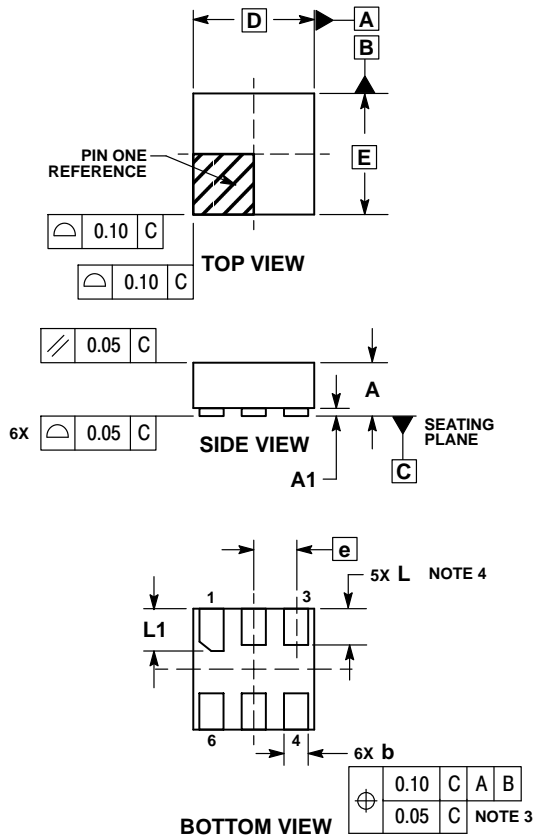
Device	Package	Shipping†
NLAS3157MX3TCG	ULLGA6 – 1.0 x 1.0, 0.35P (Pb-Free)	3000 / Tape & Reel
NLAS3257CMX2TCG	XLLGA6 – 1.0 x 1.0, 0.35P (Pb-Free)	3000 / Tape & Reel
NLAS3257CMX3TCG		

†For information on tape and reel specifications, including part orientation and tape sizes, please refer to our Tape and Reel Packaging Specifications Brochure, BRD8011/D.

NLAS3157, NLAS3257

PACKAGE DIMENSIONS

ULLGA6 1.0x1.0, 0.35P
CASE 613AD
ISSUE A

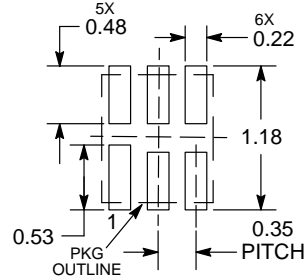


NOTES:

1. DIMENSIONING AND TOLERANCING PER ASME Y14.5M, 1994.
2. CONTROLLING DIMENSION: MILLIMETERS.
3. DIMENSION b APPLIES TO PLATED TERMINAL AND IS MEASURED BETWEEN 0.15 AND 0.30 mm FROM THE TERMINAL TIP.
4. A MAXIMUM OF 0.05 PULL BACK OF THE PLATED TERMINAL FROM THE EDGE OF THE PACKAGE IS ALLOWED.

MILLIMETERS		
DIM	MIN	MAX
A	---	0.40
A1	0.00	0.05
b	0.12	0.22
D	1.00 BSC	
E	1.00 BSC	
e	0.35 BSC	
L	0.25	0.35
L1	0.30	0.40

**MOUNTING FOOTPRINT
SOLDERMASK DEFINED***



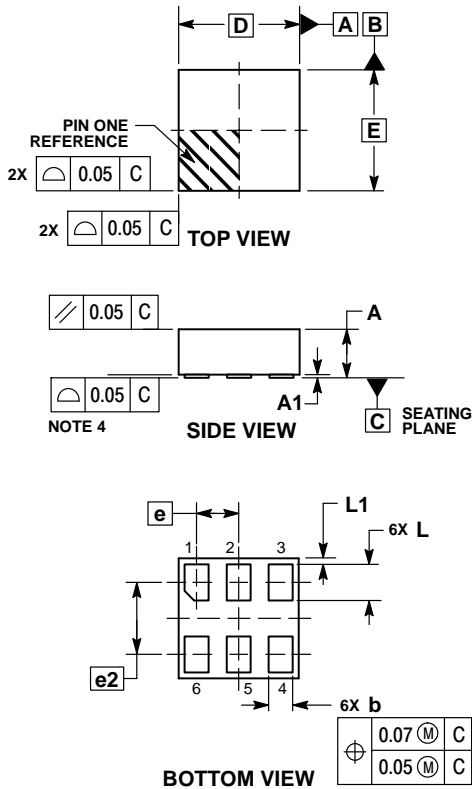
DIMENSIONS: MILLIMETERS

*For additional information on our Pb-Free strategy and soldering details, please download the ON Semiconductor Soldering and Mounting Techniques Reference Manual, SOLDERRM/D.

NLAS3157, NLAS3257

PACKAGE DIMENSIONS

XLLGA6 1.0x1.0, 0.35P CASE 713AD ISSUE O

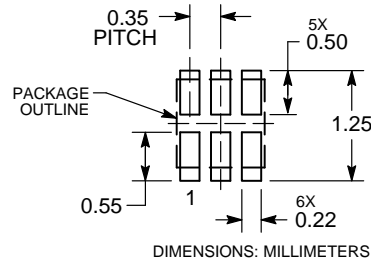


NOTES:

1. DIMENSIONING AND TOLERANCING PER ASME Y14.5M, 1994 .
2. CONTROLLING DIMENSION: MILLIMETERS.
3. DIMENSION b APPLIES TO THE PLATED TERMINALS AND IS MEASURED BETWEEN 0.15 AND 0.25 MM FROM THE TERMINAL TIPS.
4. COPLANARITY APPLIES TO ALL OF THE TERMINALS.

DIM	MILLIMETERS	
	MIN	MAX
A	---	0.40
A1	0.00	0.05
b	0.17	0.23
D	1.00 BSC	
E	1.00 BSC	
e	0.35 BSC	
e2	0.60 BSC	
L	0.27	0.33
L1	0.05 REF	

RECOMMENDED SOLDERING FOOTPRINT*



*For additional information on our Pb-Free strategy and soldering details, please download the ON Semiconductor Soldering and Mounting Techniques Reference Manual, SOLDERRM/D.

ON Semiconductor and are trademarks of Semiconductor Components Industries, LLC dba ON Semiconductor or its subsidiaries in the United States and/or other countries. ON Semiconductor owns the rights to a number of patents, trademarks, copyrights, trade secrets, and other intellectual property. A listing of ON Semiconductor's product/patent coverage may be accessed at www.onsemi.com/site/pdf/Patent-Marking.pdf. ON Semiconductor reserves the right to make changes without further notice to any products herein. ON Semiconductor makes no warranty, representation or guarantee regarding the suitability of its products for any particular purpose, nor does ON Semiconductor assume any liability arising out of the application or use of any product or circuit, and specifically disclaims any and all liability, including without limitation special, consequential or incidental damages. Buyer is responsible for its products and applications using ON Semiconductor products, including compliance with all laws, regulations and safety requirements or standards, regardless of any support or applications information provided by ON Semiconductor. "Typical" parameters which may be provided in ON Semiconductor data sheets and/or specifications can and do vary in different applications and actual performance may vary over time. All operating parameters, including "Typicals" must be validated for each customer application by customer's technical experts. ON Semiconductor does not convey any license under its patent rights nor the rights of others. ON Semiconductor products are not designed, intended, or authorized for use as a critical component in life support systems or any FDA Class 3 medical devices or medical devices with a same or similar classification in a foreign jurisdiction or any devices intended for implantation in the human body. Should Buyer purchase or use ON Semiconductor products for any such unintended or unauthorized application, Buyer shall indemnify and hold ON Semiconductor and its officers, employees, subsidiaries, affiliates, and distributors harmless against all claims, costs, damages, and expenses, and reasonable attorney fees arising out of, directly or indirectly, any claim of personal injury or death associated with such unintended or unauthorized use, even if such claim alleges that ON Semiconductor was negligent regarding the design or manufacture of the part. ON Semiconductor is an Equal Opportunity/Affirmative Action Employer. This literature is subject to all applicable copyright laws and is not for resale in any manner.

PUBLICATION ORDERING INFORMATION

LITERATURE FULFILLMENT:

Literature Distribution Center for ON Semiconductor
19521 E. 32nd Pkwy, Aurora, Colorado 80011 USA
Phone: 303-675-2175 or 800-344-3860 Toll Free USA/Canada
Fax: 303-675-2176 or 800-344-3867 Toll Free USA/Canada
Email: orderlit@onsemi.com

N. American Technical Support: 800-282-9855 Toll Free
USA/Canada
Europe, Middle East and Africa Technical Support:
Phone: 421 33 790 2910

ON Semiconductor Website: www.onsemi.com

Order Literature: <http://www.onsemi.com/orderlit>

For additional information, please contact your local Sales Representative



**Стандарт
Электрон
Связь**

Мы молодая и активно развивающаяся компания в области поставок электронных компонентов. Мы поставляем электронные компоненты отечественного и импортного производства напрямую от производителей и с крупнейших складов мира.

Благодаря сотрудничеству с мировыми поставщиками мы осуществляем комплексные и плановые поставки широчайшего спектра электронных компонентов.

Собственная эффективная логистика и склад в обеспечивает надежную поставку продукции в точно указанные сроки по всей России.

Мы осуществляем техническую поддержку нашим клиентам и предпродажную проверку качества продукции. На все поставляемые продукты мы предоставляем гарантию .

Осуществляем поставки продукции под контролем ВП МО РФ на предприятия военно-промышленного комплекса России , а также работаем в рамках 275 ФЗ с открытием отдельных счетов в уполномоченном банке. Система менеджмента качества компании соответствует требованиям ГОСТ ISO 9001.

Минимальные сроки поставки, гибкие цены, неограниченный ассортимент и индивидуальный подход к клиентам являются основой для выстраивания долгосрочного и эффективного сотрудничества с предприятиями радиоэлектронной промышленности, предприятиями ВПК и научно-исследовательскими институтами России.

С нами вы становитесь еще успешнее!

Наши контакты:

Телефон: +7 812 627 14 35

Электронная почта: sales@st-electron.ru

Адрес: 198099, Санкт-Петербург,
Промышленная ул, дом № 19, литера Н,
помещение 100-Н Офис 331