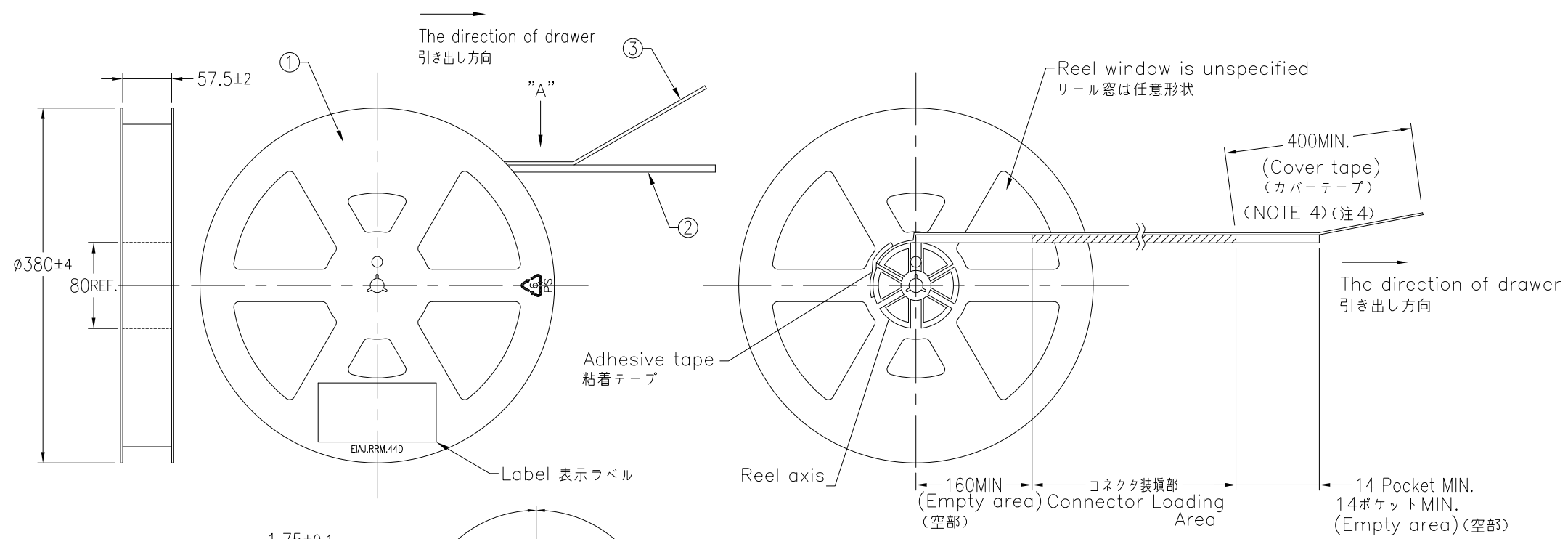


PRODUCT NO.	SPEC No.
10081215-**15ELF	PRODUCT: GS-12-493 PACKAGING: GS-14-1205
10081215-***15EHLF	APPRICATION: GS-20-102



<P/N composition> <P/N 構成>
 ▲10081215-** 1 1 5 E H LF

- Lead Free
- H: Halogen free material
- Packaging form (E : Plastic reel·Embossing tape package)
- Embossing tape package 5: 12mm PITCH
- Plating spec / Contact style 1: Au plating / Single contact point
- Blank: Without cable lock
- 1: With cable lock
- No of position
- Series name

PARTS TABLE 部品表

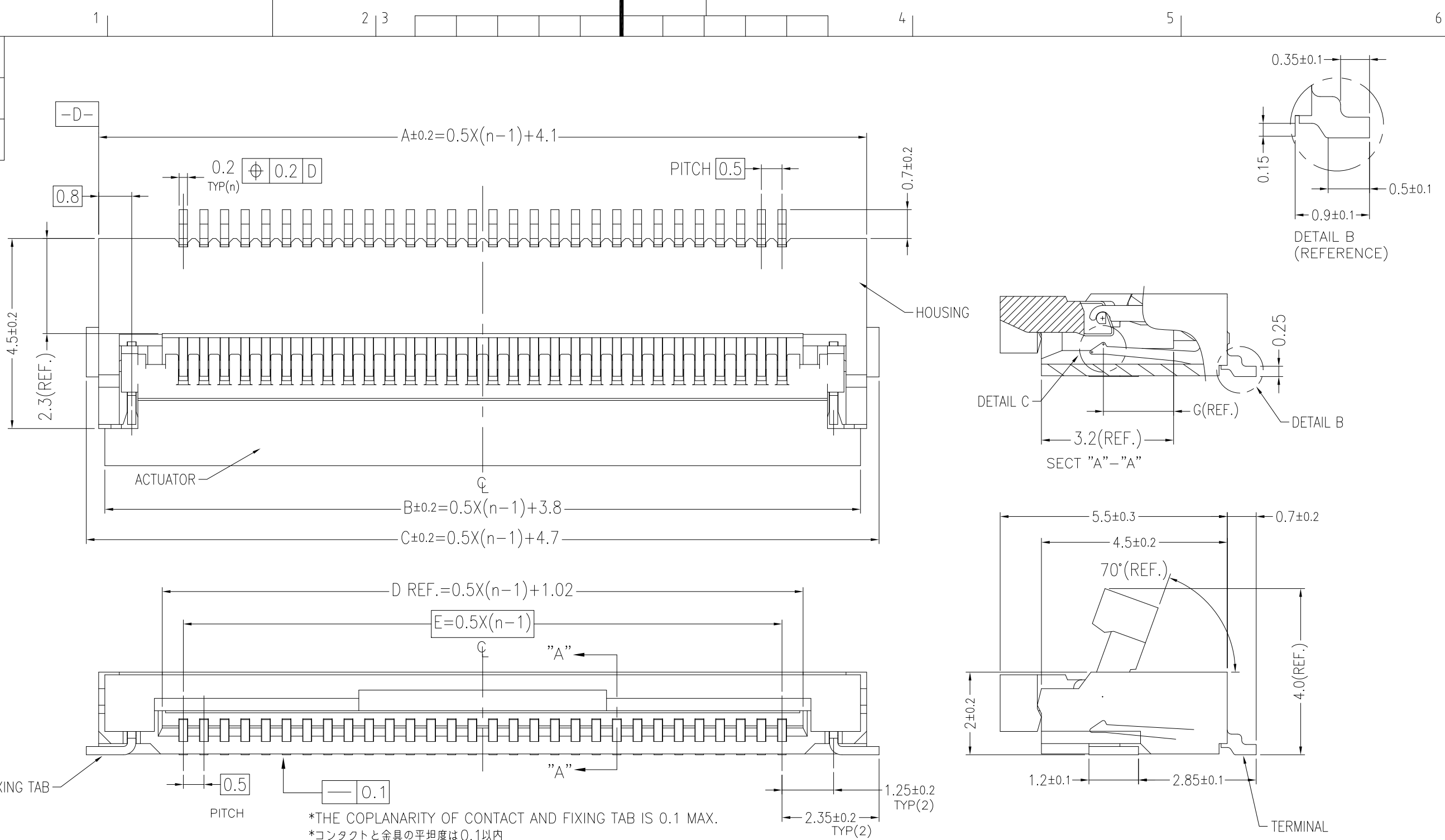
No.	Part name 部品名	Part No. 型番	Material 材質	QTY.	Note 備考
①	The reel for packaging 梱包用リール	340551-56E	Polystyrene ポリスチレン	1	Color / Window of the reel: Arbitrarily shaped 色 / リール窓: 任意 Electrification prevention processing 帯電防止処理品
②	Emboss tape エンボステープ	10081220-__	PET	1	Electrification prevention processing 帯電防止処理品
③	Cover tape カバーテープ	KEC ____	Polyester ポリエステル	1	
④	Connector コネクタ	10081215-_____	See sheet 2	3000	

mat'l. code ---		surface ISO 1302 ✓		tolerance ISO 406 ISO 1101		projection MM		product family 599F FLEX 0.5		CODE JP	
ltr description		ecn no		dr		date		tolerances unless otherwise specified		title	
A RELEASED		J07-0469		Y.K		2007-9-19		0.X ±0.3		ASSEMBLY	
B Change of product family		J07-0514		Y.K		2007-10-16		0.XX ±0.3		0.5mm PITCH CONNECTOR FOR FPC	
C Add Halogen Free P/N		J08-0486		Y.K		2008-12-12		0°±3'		VHC Series	
D Add New P/N -60115EHLF		ECNJ-20766		Y.K		2015-04-28		dr Y.KAMEDA		2015-07-27	
E REVISED		ECNJ-21520		Y.K		2015-07-27		engr Y.KAMEDA		2015-07-27	
								chr M.MINATO		2015-07-27	
								appd N.SASAME		2015-07-27	
sheet index		revision sheet		E		E		E		E	
				1		2		3		4	
				E		E		E		E	
				1		2		3		4	
				E		E		E		E	
				1		2		3		4	
				E		E		E		E	
				1		2		3		4	
				E		E		E		E	
				1		2		3		4	
				E		E		E		E	
				1		2		3		4	
				E		E		E		E	
				1		2		3		4	
				E		E		E		E	
				1		2		3		4	
				E		E		E		E	
				1		2		3		4	
				E		E		E		E	
				1		2		3		4	
				E		E		E		E	
				1		2		3		4	
				E		E		E		E	
				1		2		3		4	
				E		E		E		E	
				1		2		3		4	
				E		E		E		E	
				1		2		3		4	
				E		E		E		E	
				1		2		3		4	
				E		E		E		E	
				1		2		3		4	
				E		E		E		E	
				1		2		3		4	
				E		E		E		E	
				1		2		3		4	
				E		E		E		E	
				1		2		3		4	
				E		E		E		E	
				1		2		3		4	
				E		E		E		E	
				1		2		3		4	
				E		E		E		E	
				1		2		3		4	
				E		E		E		E	
				1		2		3		4	
				E		E		E		E	
				1		2		3		4	
				E		E		E		E	
				1		2		3		4	
				E		E		E		E	
				1		2		3		4	
				E		E		E		E	
				1		2		3		4	
				E		E		E		E	
				1		2		3		4	
				E		E		E		E	
				1		2		3		4	
				E		E		E		E	
				1		2		3		4	
				E		E		E		E	
				1		2		3		4	
				E		E		E		E	
				1		2		3		4	
				E		E		E		E	
				1		2		3		4	
				E		E		E		E	
				1		2		3		4	
				E		E		E		E	
				1		2		3		4	
				E		E		E		E	
				1		2		3		4	
				E		E		E		E	
				1		2		3		4	
				E		E		E		E	
				1		2		3		4	
				E		E		E		E	
				1		2		3		4	
				E		E		E		E	
				1		2		3		4	
				E		E		E		E	
				1		2		3		4	
				E		E		E		E	
				1		2		3		4	
				E		E		E		E	
				1		2		3		4	
				E		E		E		E	
				1		2		3		4	
				E		E		E		E	
				1		2		3		4	
				E		E		E		E	
				1		2		3		4	
				E		E		E		E	
				1		2		3		4	
				E		E		E		E	
				1		2		3		4	
				E		E		E		E	
				1		2		3		4	
				E		E		E		E	
				1		2		3		4	
				E		E		E		E	
				1		2		3		4	
				E		E		E		E	
				1		2		3		4	
				E		E		E		E	
				1		2		3		4	
				E		E		E		E	
				1		2		3		4	
				E		E		E		E	
				1		2		3		4	
				E		E		E		E	
				1		2		3		4	
				E		E		E		E	
				1		2		3		4	
				E		E		E		E	
				1		2		3		4	
				E		E		E		E	
				1		2		3		4	
				E		E		E		E	
				1		2		3		4	
				E		E		E		E	
				1		2		3		4	
				E		E		E		E	
				1		2		3		4	
				E		E		E		E	
				1		2		3		4	
				E		E		E		E	
				1		2		3		4	
				E		E		E		E	
				1		2		3		4	
				E		E		E		E	
				1		2		3		4	
				E		E		E		E	
				1		2		3		4	
				E		E		E		E	
				1		2		3		4	
				E		E		E		E	
				1		2		3		4	
				E		E		E		E	
				1		2		3		4	
				E		E		E		E	
				1		2		3		4	
				E		E		E		E	
				1		2		3		4	
				E		E		E		E	
				1		2		3		4	
				E		E		E		E	
				1		2		3		4	
				E		E		E		E	
				1		2		3		4	
				E		E		E		E	
				1		2		3		4	
				E		E		E		E	
				1		2		3		4	
				E		E		E		E	
				1		2		3		4	
				E		E		E		E	
				1		2		3		4	
				E		E		E		E	
				1		2		3		4	
				E		E		E		E	
				1		2		3		4	
				E		E		E		E	
				1		2		3		4	
				E		E		E		E	
				1		2		3		4	

PRODUCT NO.

10081215-***1LF

10081215-***1HLF



FIXING TAB

ACTUATOR

HOUSING

DETAIL C

SECT "A"-"A"

G(REF.)

DETAIL B

TERMINAL

NOTE

- MATERIAL
 - HOUSING:THERMOPLASTIC RESIN,UL94V-0, NATURAL
 - ACTUATOR:THERMOPLASTIC RESIN,UL94V-0, P/N10081215-***1LF IS BROWN, P/N10081215-***1HLF IS BLACK
 - CONTACT:COPPER ALLOY (t=0.20)
 - FIXING TAB: COPPER ALLOY (t=0.20)
- FINISH
 - CONTACT: ALL OVER Ni,Au FLASH.
 - FIXING TAB: ALL OVER Ni , Sn PLATING 1.5~3.5μm
- CO-PLANARITY: 0.1 MAX.
- RoHS

THIS PRODUCT MEETS EUROPEAN UNION DIRECTIVES AND OTHER COUNTRY REGULATIONSAS DESCRIBED IN GS-22-008
- SPECIFICATIONS

PRODUCT SPECIFICATIONS : GS-12-493 for P/N10081215-***1*LF
 APPLICATION SPECIFICATIONS : GS-20-102 for P/N10081215-***1*LF
 PACKAGING SPECIFICATIONS : GS-14-1205 for P/N10081215-***1*LF

*THE COPLANARITY OF CONTACT AND FIXING TAB IS 0.1 MAX.
 *コンタクトと金具の平坦度は0.1以内

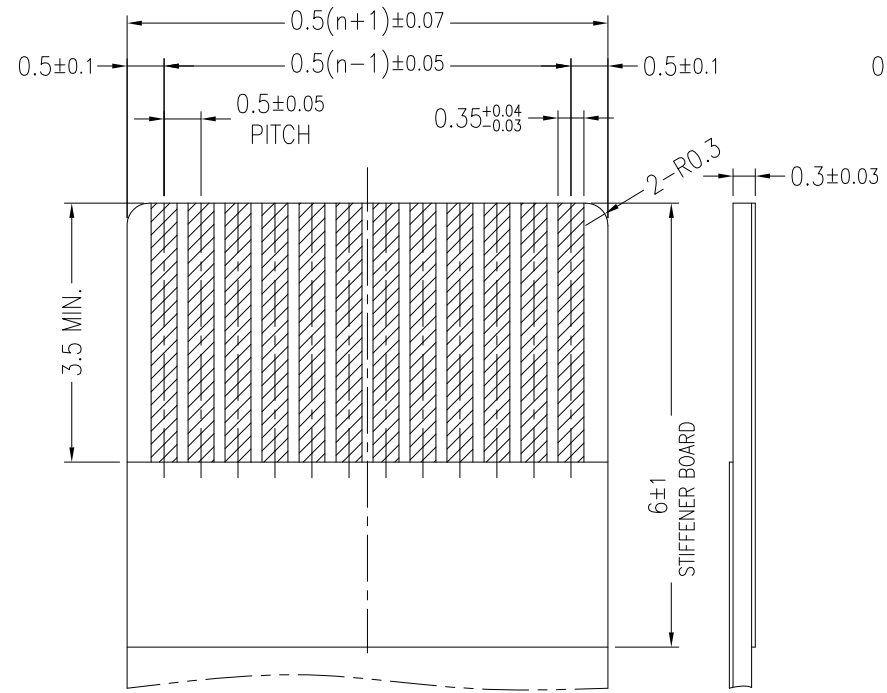
10081215-601*LF	33.6	33.3	34.2	30.52	29.5	35.3
P/N	A	B	C	D	E	F

mat'l. code				surface		tolerance		projection		product family		CODE
---				ISO 1302		ISO 406		MM		599F FLEX 0.5		JP
				tolerances unless otherwise specified						title		
ltr description				ecn no		dr		date		angles		linear
A RELEASED				J07-0469		Y.K		2007-9-19		0.X ±0.2		
B Change of product family				J07-0514		Y.K		2007-10-16		0.XX ±0.2		
C Add Halogen Free P/N				J08-0486		Y.K		2008-12-12		0°±2°		
D Add New Sheet#4,5				ECNJ-20766		Y.K		2015-04-28		dr		Y.KAMEDA 2015-07-27
E Only rev. up				ECNJ-21520		Y.K		2015-07-27		enr		Y.KAMEDA 2015-07-27
										chr		M.MINATO 2015-07-27
										appd		N.SASAME 2015-07-27
sheet index		revision sheet										Rev. E

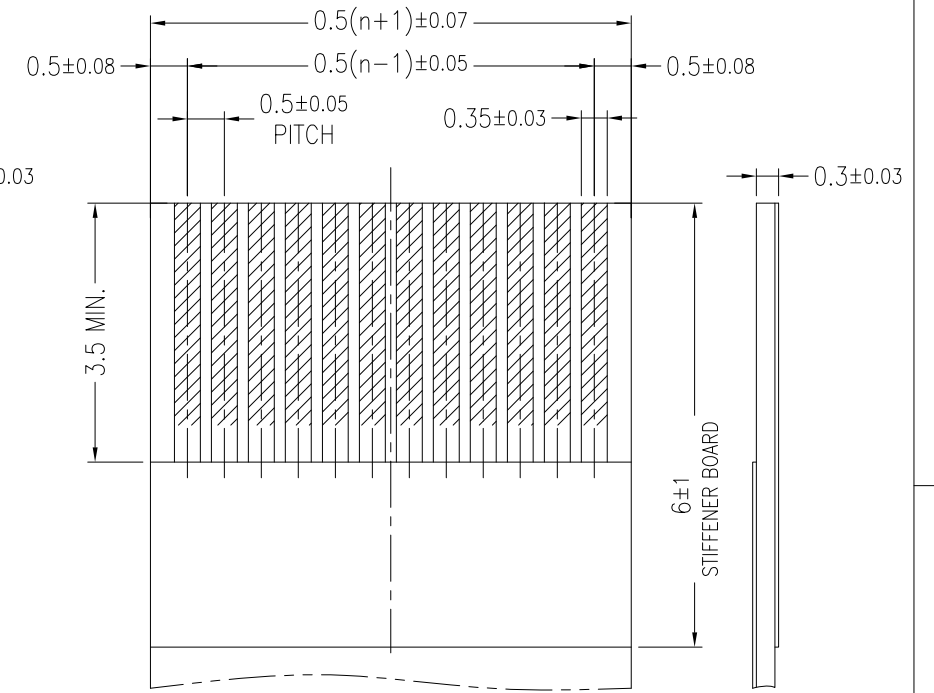


PRODUCT NO.

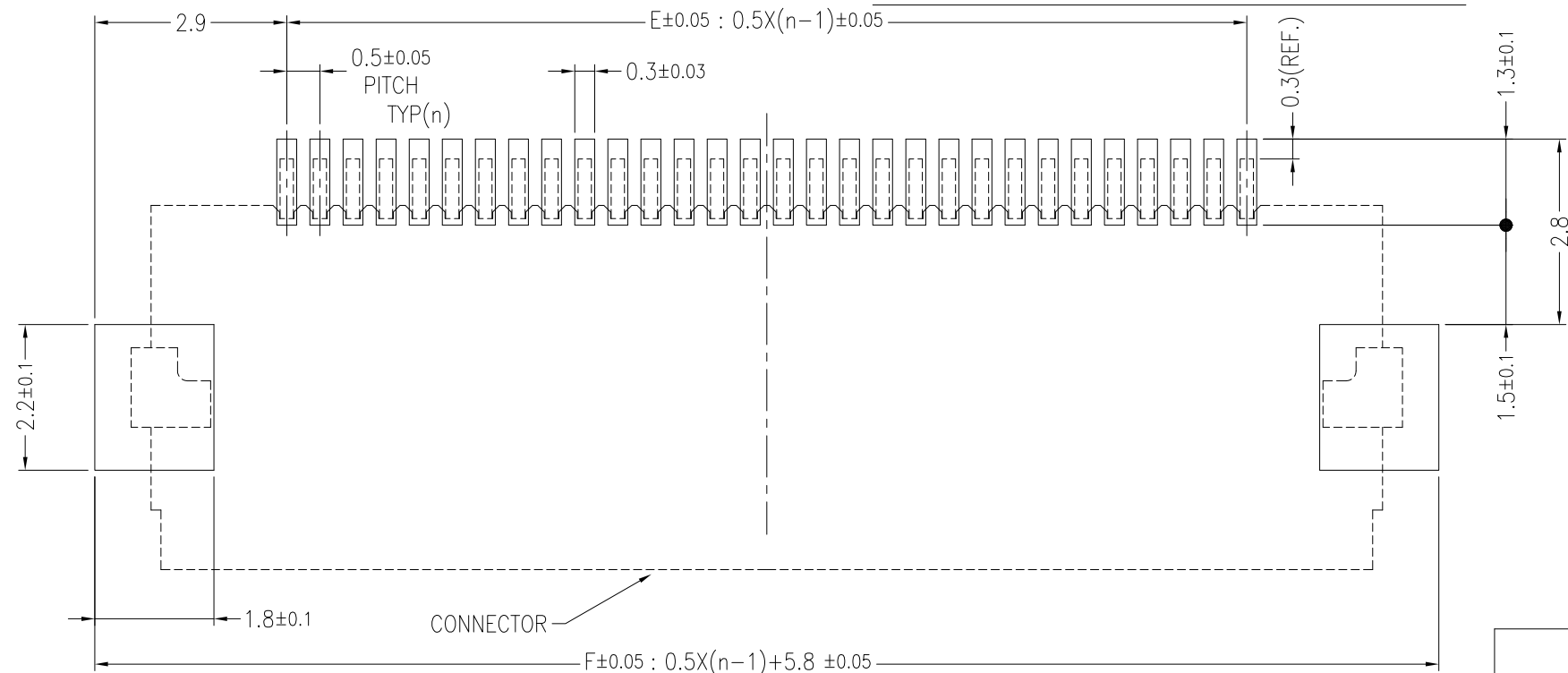
10081215-**1*LF



RECOMMENDED FPC CONFIGURATION



RECOMMENDED FFC CONFIGURATION



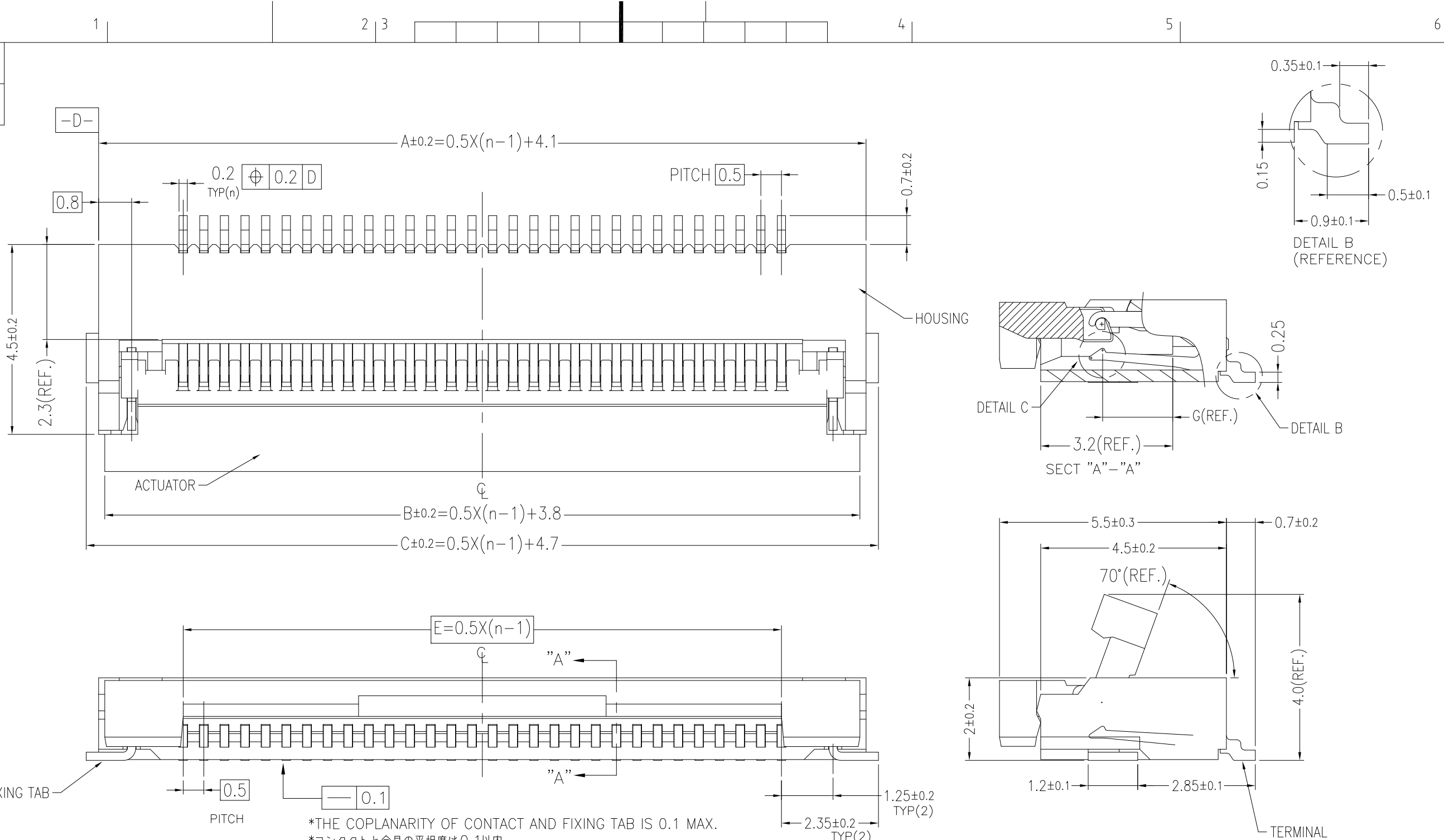
RECOMMENDED PC BOARD LAYOUT

10081215-601*LF	33.6	33.3	34.2	30.52	29.5	35.3
P/N	A	B	C	D	E	F

mat'l. code ---				surface ISO 1302 ✓		tolerance ISO 406 ISO 1101		projection MM		product family 599F FLEX 0.5		CODE JP
title ASSEMBLY				tolerances unless otherwise specified		angles linear		scale 10:1		title 0.5mm PITCH CONNECTOR FOR FPC VHC Series		
description				0°±2°		0.X ±0.2		F		dwg no		
ecn no				0°±2°		0.XX ±0.2		G		sheet 3 of 5		
dr				0°±2°		0.XXX ±0.2		H		size		
date				0°±2°		0.XXX ±0.2		I		A3		
date				0°±2°		0.XXX ±0.2		J		type		
date				0°±2°		0.XXX ±0.2		K		Product Customer Drawing		
date				0°±2°		0.XXX ±0.2		L		Rev.		
date				0°±2°		0.XXX ±0.2		M		E		
date				0°±2°		0.XXX ±0.2		N		Rev.		
date				0°±2°		0.XXX ±0.2		O		E		
date				0°±2°		0.XXX ±0.2		P		Rev.		
date				0°±2°		0.XXX ±0.2		Q		E		
date				0°±2°		0.XXX ±0.2		R		Rev.		
date				0°±2°		0.XXX ±0.2		S		E		
date				0°±2°		0.XXX ±0.2		T		Rev.		
date				0°±2°		0.XXX ±0.2		U		E		
date				0°±2°		0.XXX ±0.2		V		Rev.		
date				0°±2°		0.XXX ±0.2		W		E		
date				0°±2°		0.XXX ±0.2		X		Rev.		
date				0°±2°		0.XXX ±0.2		Y		E		
date				0°±2°		0.XXX ±0.2		Z		Rev.		
date				0°±2°		0.XXX ±0.2		AA		E		
date				0°±2°		0.XXX ±0.2		AB		Rev.		
date				0°±2°		0.XXX ±0.2		AC		E		
date				0°±2°		0.XXX ±0.2		AD		Rev.		
date				0°±2°		0.XXX ±0.2		AE		E		
date				0°±2°		0.XXX ±0.2		AF		Rev.		
date				0°±2°		0.XXX ±0.2		AG		E		
date				0°±2°		0.XXX ±0.2		AH		Rev.		
date				0°±2°		0.XXX ±0.2		AI		E		
date				0°±2°		0.XXX ±0.2		AJ		Rev.		
date				0°±2°		0.XXX ±0.2		AK		E		
date				0°±2°		0.XXX ±0.2		AL		Rev.		
date				0°±2°		0.XXX ±0.2		AM		E		
date				0°±2°		0.XXX ±0.2		AN		Rev.		
date				0°±2°		0.XXX ±0.2		AO		E		
date				0°±2°		0.XXX ±0.2		AP		Rev.		
date				0°±2°		0.XXX ±0.2		AQ		E		
date				0°±2°		0.XXX ±0.2		AR		Rev.		
date				0°±2°		0.XXX ±0.2		AS		E		
date				0°±2°		0.XXX ±0.2		AT		Rev.		
date				0°±2°		0.XXX ±0.2		AU		E		
date				0°±2°		0.XXX ±0.2		AV		Rev.		
date				0°±2°		0.XXX ±0.2		AW		E		
date				0°±2°		0.XXX ±0.2		AX		Rev.		
date				0°±2°		0.XXX ±0.2		AY		E		
date				0°±2°		0.XXX ±0.2		AZ		Rev.		
date				0°±2°		0.XXX ±0.2		BA		E		
date				0°±2°		0.XXX ±0.2		BB		Rev.		
date				0°±2°		0.XXX ±0.2		BC		E		
date				0°±2°		0.XXX ±0.2		BD		Rev.		
date				0°±2°		0.XXX ±0.2		BE		E		
date				0°±2°		0.XXX ±0.2		BF		Rev.		
date				0°±2°		0.XXX ±0.2		BG		E		
date				0°±2°		0.XXX ±0.2		BH		Rev.		
date				0°±2°		0.XXX ±0.2		BI		E		
date				0°±2°		0.XXX ±0.2		BJ		Rev.		
date				0°±2°		0.XXX ±0.2		BK		E		
date				0°±2°		0.XXX ±0.2		BL		Rev.		
date				0°±2°		0.XXX ±0.2		BM		E		
date				0°±2°		0.XXX ±0.2		BN		Rev.		
date				0°±2°		0.XXX ±0.2		BO		E		
date				0°±2°		0.XXX ±0.2		BP		Rev.		
date				0°±2°		0.XXX ±0.2		BQ		E		
date				0°±2°		0.XXX ±0.2		BR		Rev.		
date				0°±2°		0.XXX ±0.2		BS		E		
date				0°±2°		0.XXX ±0.2		BT		Rev.		
date				0°±2°		0.XXX ±0.2		BU		E		
date				0°±2°		0.XXX ±0.2		BV		Rev.		
date				0°±2°		0.XXX ±0.2		BW		E		
date				0°±2°		0.XXX ±0.2		BX		Rev.		
date				0°±2°		0.XXX ±0.2		BY		E		
date				0°±2°		0.XXX ±0.2		BZ		Rev.		
date				0°±2°		0.XXX ±0.2		CA		E		
date				0°±2°		0.XXX ±0.2		CB		Rev.		
date				0°±2°		0.XXX ±0.2		CC		E		
date				0°±2°		0.XXX ±0.2		CD		Rev.		
date				0°±2°		0.XXX ±0.2		CE		E		
date				0°±2°		0.XXX ±0.2		CF		Rev.		
date				0°±2°		0.XXX ±0.2		CG		E		
date				0°±2°		0.XXX ±0.2		CH		Rev.		
date				0°±2°		0.XXX ±0.2		CI		E		
date				0°±2°		0.XXX ±0.2		CJ		Rev.		
date				0°±2°		0.XXX ±0.2		CK		E		
date				0°±2°		0.XXX ±0.2		CL		Rev.		
date				0°±2°		0.XXX ±0.2		CM		E		
date				0°±2°		0.XXX ±0.2		CN		Rev.		
date				0°±2°		0.XXX ±0.2		CO		E		
date				0°±2°		0.XXX ±0.2		CP		Rev.		
date				0°±2°		0.XXX ±0.2		CQ		E		
date				0°±2°		0.XXX ±0.2		CR		Rev.		
date				0°±2°		0.XXX ±0.2		CS		E		
date				0°±2°		0.XXX ±0.2		CT		Rev.		
date				0°±2°		0.XXX ±0.2		CU		E		
date				0°±2°		0.XXX ±0.2		CV		Rev.		
date				0°±2°		0.XXX ±0.2		CW		E		
date				0°±2°		0.XXX ±0.2		CX		Rev.		
date				0°±2°		0.XXX ±0.2		CY		E		
date				0°±2°		0.XXX ±0.2		CZ		Rev.		
date				0°±2°		0.XXX ±0.2		DA		E		
date				0°±2°		0.XXX ±0.2		DB		Rev.		
date				0°±2°		0.XXX ±0.2		DC		E		
date				0°±2°		0.XXX ±0.2		DD		Rev.		
date				0°±2°		0.XXX ±0.2		DE		E		
date				0°±2°		0.XXX ±0.2		DF		Rev.		
date				0°±2°		0.XXX ±0.2		DG		E		
date				0°±2°		0.XXX ±0.2		DH		Rev.		
date				0°±2°		0.XXX ±0.2		DI		E		
date				0°±2°		0.XXX ±0.2		DJ		Rev.		
date				0°±2°		0.XXX ±0.2		DK		E		
date				0°±2°		0.XXX ±0.2		DL		Rev.		
date				0°±2°		0.XXX ±0.2		DM		E		
date				0°±2°		0.XXX ±0.2		DN		Rev.		
date				0°±2°		0.XXX ±0.2		DO		E		
date				0°±2°		0.XXX ±0.2		DP		Rev.		
date				0°±2°		0.XXX ±0.2		DQ		E		
date				0°±2°		0.XXX ±0.2		DR		Rev.		
date				0°±2°		0.XXX ±0.2		DS		E		
date				0°±2°		0.XXX ±0.2		DT		Rev.		
date				0°±2°		0.XXX ±0.2		DU		E		
date				0°±2°		0.XXX ±0.2		DV		Rev.		
date				0°±2°		0.XXX ±0.2		DW		E		
date				0°±2°		0.XXX ±0.2		DX		Rev.		
date				0°±2°		0.XXX ±0.2		DY		E		
date				0°±2°		0.XXX ±0.2		DZ		Rev.		
date				0°±2°		0.XXX ±0.2		EA		E		
date				0°±2°		0.XXX ±0.2		EB		Rev.		
date				0°±2°		0.XXX ±0.2		EC		E		
date				0°±2°		0.XXX ±0.2		ED		Rev.		
date				0°±2°		0.XXX ±0.2		EE		E		
date				0°±2°		0.XXX ±0.2		EF		Rev.		
date				0°±2°		0.XXX ±0.2		EG		E		
date				0°±2°		0.XXX ±0.2		EH		Rev.		
date				0°±2°		0.XXX ±0.2		EI		E		
date				0°±2°		0.XXX ±0.2		EJ		Rev.		
date				0°±2°		0.XXX ±0.2		EK		E		
date				0°±2°		0.XXX ±0.2		EL		Rev.		
date				0°±2°		0.XXX ±0.2		EM		E		
date				0°±2°		0.XXX ±0.2		EN		Rev.		
date				0°±2°		0.XXX ±0.2		EO		E		
date				0°±2°		0.XXX ±0.2		EP		Rev.		
date				0°±2°		0.XXX ±0.2		EQ		E		
date				0°±2°		0.XXX ±0.2		ER		Rev.		
date				0°±2°		0.XXX ±0.2		ES		E		
date				0°±2°		0.XXX ±0.2		ET		Rev.		
date				0°±2°		0.XXX ±0.2		EU		E		
date				0°±2°		0.XXX ±0.2		EV		Rev.		
date				0°±2°		0.XXX ±0.2		EW		E		
date				0°±2°		0.XXX ±0.2		EX		Rev.		
date				0°±2°		0.XXX ±0.2		EY		E		
date				0°±2°		0.XXX ±0.2		EZ		Rev.		
date				0°±2°		0.XXX ±0.2		FA		E		
date				0°±2°		0.XXX ±0.2		FB		Rev.		
date				0°±2°		0.XXX ±0.2		FC		E		
date				0°±2°		0.XXX ±0.2		FD		Rev.		
date				0°±2°		0.XXX ±0.2		FE		E		
date				0°±2°		0.XXX ±0.2		FF		Rev.		
date				0°±2°		0.XXX ±0.2		FG		E		
date				0°±2°		0.XXX ±0.2		FH		Rev.		
date				0°±2°		0.XXX ±0.2		FI		E		
date				0°±2°		0.XXX ±0.2		FJ		Rev.		
date				0°±2°		0.XXX ±0.2		FK		E		
date				0°±2°		0.XXX ±0.2		FL		Rev.		
date				0°±2°		0.XXX ±0.2		FM		E		
date				0°±2°		0.XXX ±0.2		FN		Rev.		
date				0°±2°		0.XXX ±0.2		FO		E		
date				0°±2°		0.XXX ±0.2		FP		Rev.		
date				0°±2°		0.XXX ±0.2		FQ		E		

PRODUCT NO.

10081215-**11HLF



NOTE
 1.MATERIAL
 1)HOUSING:THERMOPLASTIC RESIN,UL94V-0, NATURAL
 2)ACTUATOR:THERMOPLASTIC RESIN,UL94V-0, BLACK
 3)CONTACT:COPPER ALLOY (t=0.20)
 4)FIXING TAB: COPPER ALLOY (t=0.20)
 2.FINISH
 1)CONTACT: ALL OVER Ni,Au FLASH.
 2)FIXING TAB: ALL OVER Ni , Sn PLATING 1.5~3.5μm
 3.CO-PLANARITY: 0.1 MAX.
 5.RoHS
 THIS PRODUCT MEETS EUROPEAN UNION DIRECTIVES AND OTHER COUNTRY REGULATIONSAS DESCRIBED IN GS-22-008
 6.SPECIFICATIONS
 PRODUCT SPECIFICATIONS : GS-12-493
 APPLICATION SPECIFICATIONS : GS-20-102
 PACKAGING SPECIFICATIONS : GS-14-1205

*THE COPLANARITY OF CONTACT AND FIXING TAB IS 0.1 MAX.
 *コンタクトと金具の平坦度は0.1以内

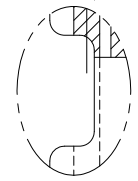
10081215-6011HLF	33.6	33.3	34.2	29.5	35.3
P/N	A	B	C	D	F

mat'l. code		surface		tolerance		projection		product family		CODE	
---		ISO 1302		ISO 406		MM		599F FLEX 0.5		JP	
litr description		ecn no		dr		date		tolerances unless otherwise specified		title	
D Add New P/N -6011HLF		ECNJ-20766		Y.K		2015-04-28		0.X ±0.2		ASSEMBLY	
E Only rev. up		ECNJ-21520		Y.K		2015-07-27		0.XX ±0.2		0.5mm PITCH CONNECTOR FOR FPC VHC Series	
								0.XXX ±0.2		scale 10:1	
				dr		Y.KAMEDA 2015-07-27		dwg no		sheet 4 of 5 size	
				enr		Y.KAMEDA 2015-07-27		10081215		A3	
				chr		M.MINATO 2015-07-27		type		Product Customer Drawing	
				appd		N.SASAME 2015-07-27				Rev.	
sheet index		revision sheet								E	

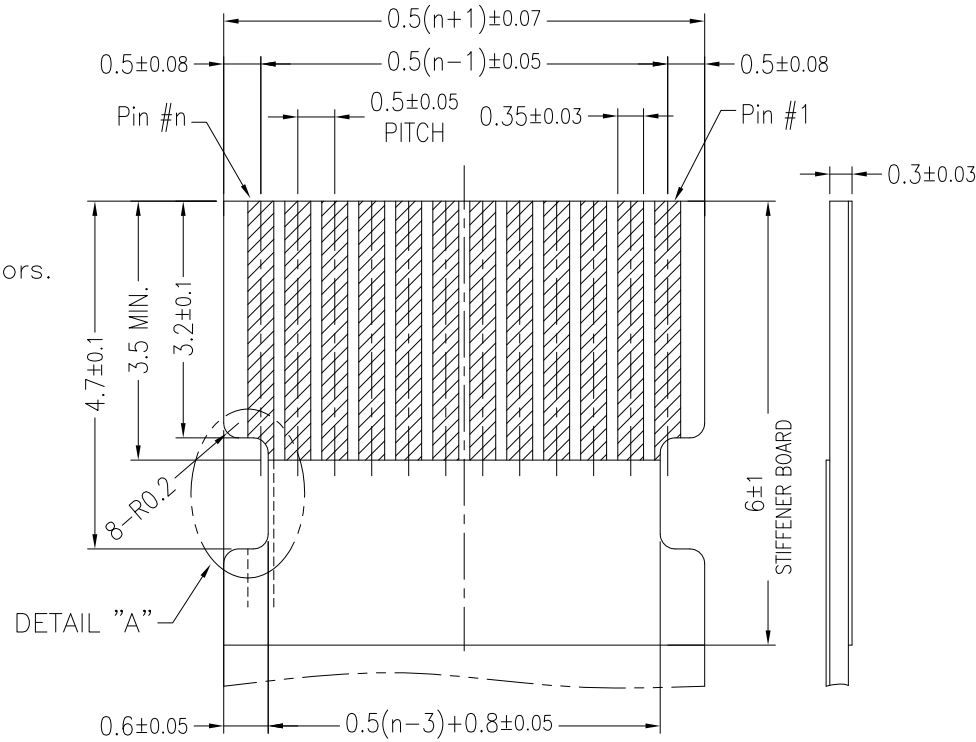
PRODUCT NO.

10081215-**11HLF

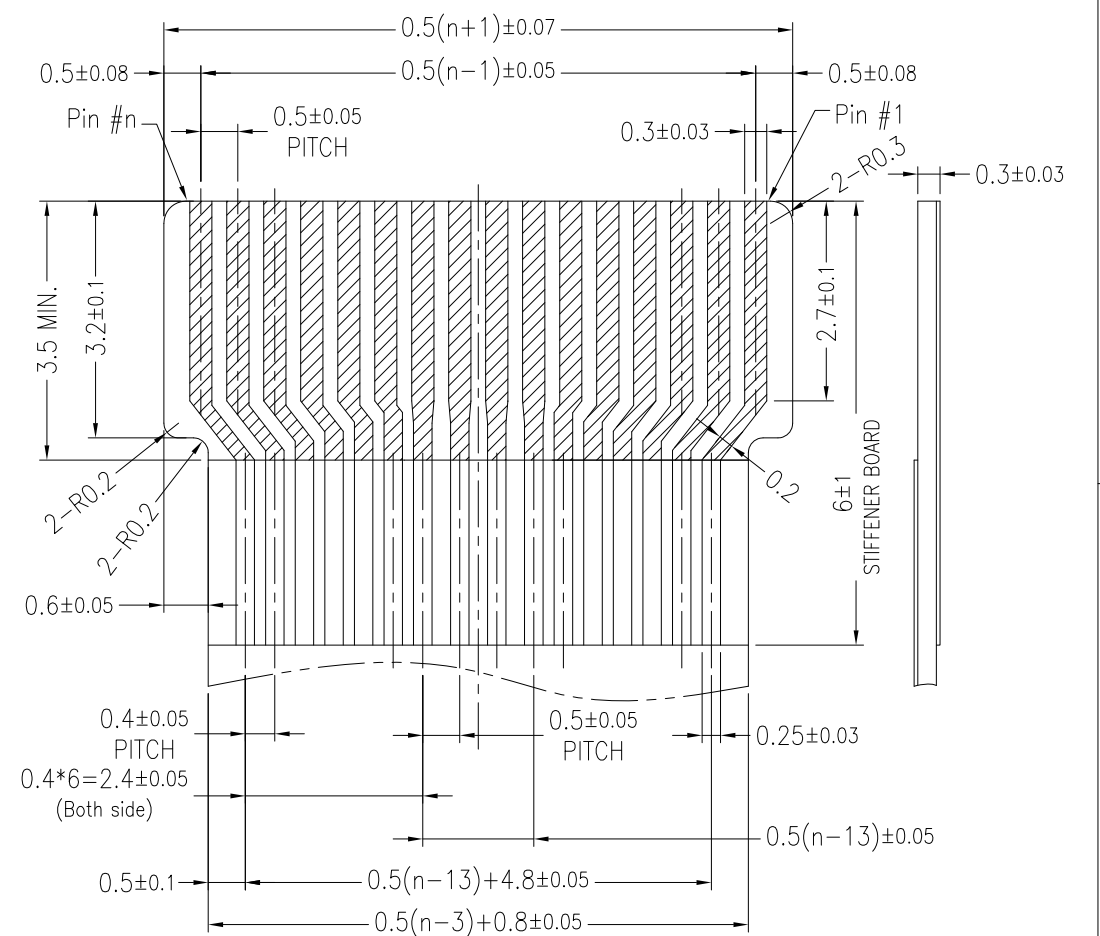
Cut through both sides conductors.



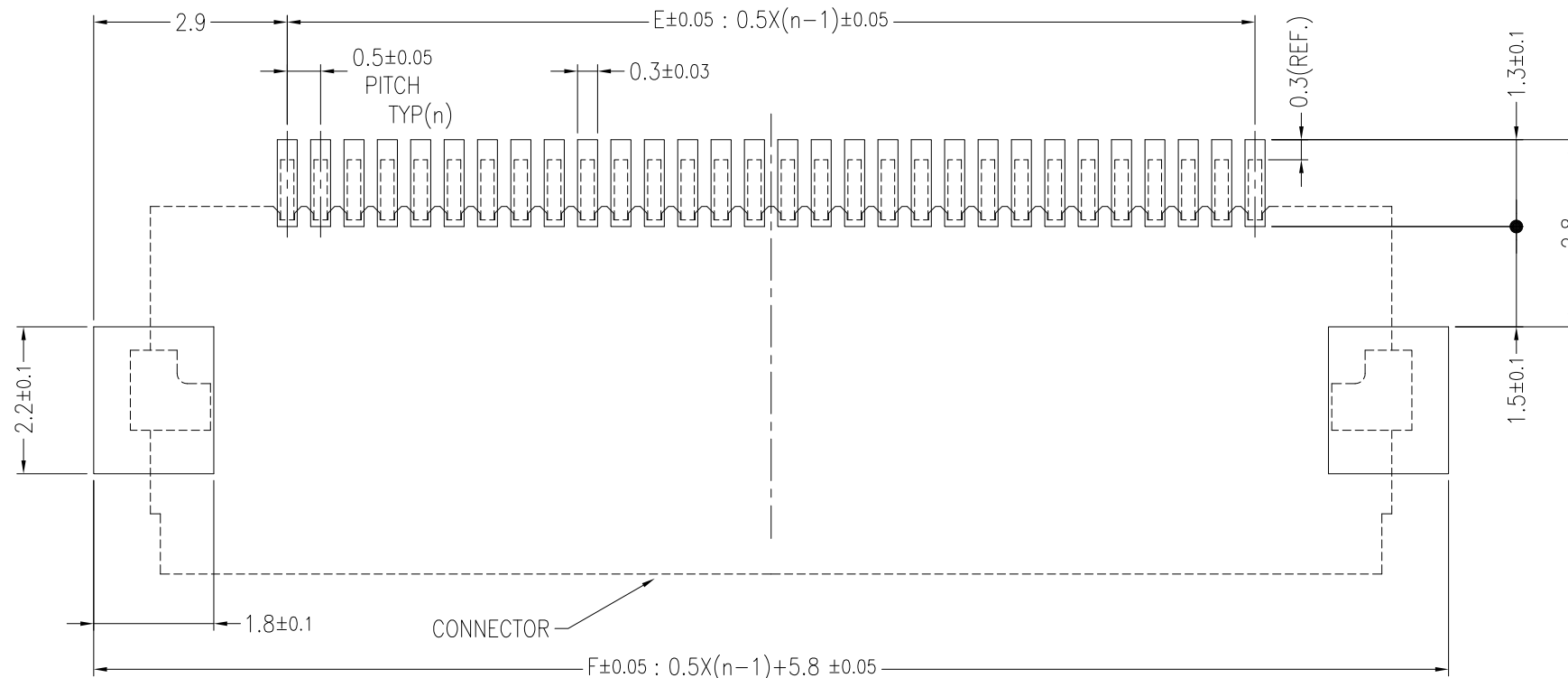
DETAIL "A"



RECOMMENDED FFC CONFIGURATION



RECOMMENDED FPC CONFIGURATION



RECOMMENDED PC BOARD LAYOUT

10081215-6011HLF	33.6	33.3	34.2	29.5	35.3
P/N	A	B	C	D	F

NOTE
 1.THICKNESS OF A METAL MASK: 0.1mm
 2.FPC / FFC
 ADHESIVE METHOD OF SUPPORTING TAPE SHALL BE HEAT CRIMPING METHOD AND THERMOSETTING ADHESIVE MATERIAL SHALL BE USED.
 3.ACCORDING TO THE KIND OF CABLE TO BE USED, SINCE OUTSIDE TWO CONDUCTORS CANNOT BE USED, THE LINE OF SIGNAL DECREASES.

注記
 1.メタルマスク厚 : 0.1mm
 2.FPC / FFC
 FPCの補強板接着剤には熱硬化接着剤を使用し、接着方式は熱圧着とする。
 3.使用するケーブルの種類によっては、外側の2つの導体が使用不可能になるため信号ラインが減少します。

mat'l. code		surface		tolerance		projection		product family		CODE	
---		ISO 1302		ISO 406		MM		599F FLEX 0.5		JP	
ltr		description		ecn no		dr		date		tolerances unless otherwise specified	
D		Add New P/N -6011HLF		ECNJ-20766		Y.K		2015-04-28		0.X ±0.2	
E		Only rev. up		ECNJ-21520		Y.K		2015-07-27		0.XX ±0.2	
										0.XXX ±0.2	
										scale 10:1	
										title	
										ASSEMBLY	
										0.5mm PITCH CONNECTOR FOR FPC	
										VHC Series	
										dwg no	
										sheet 5 of 5	
										size	
										A3	
										type	
										Product Customer Drawing	
sheet index		revision sheet								Rev.	
										E	



Стандарт Электрон Связь

Мы молодая и активно развивающаяся компания в области поставок электронных компонентов. Мы поставляем электронные компоненты отечественного и импортного производства напрямую от производителей и с крупнейших складов мира.

Благодаря сотрудничеству с мировыми поставщиками мы осуществляем комплексные и плановые поставки широчайшего спектра электронных компонентов.

Собственная эффективная логистика и склад в обеспечивает надежную поставку продукции в точно указанные сроки по всей России.

Мы осуществляем техническую поддержку нашим клиентам и предпродажную проверку качества продукции. На все поставляемые продукты мы предоставляем гарантию .

Осуществляем поставки продукции под контролем ВП МО РФ на предприятия военно-промышленного комплекса России , а также работаем в рамках 275 ФЗ с открытием отдельных счетов в уполномоченном банке. Система менеджмента качества компании соответствует требованиям ГОСТ ISO 9001.

Минимальные сроки поставки, гибкие цены, неограниченный ассортимент и индивидуальный подход к клиентам являются основой для выстраивания долгосрочного и эффективного сотрудничества с предприятиями радиоэлектронной промышленности, предприятиями ВПК и научно-исследовательскими институтами России.

С нами вы становитесь еще успешнее!

Наши контакты:

Телефон: +7 812 627 14 35

Электронная почта: sales@st-electron.ru

Адрес: 198099, Санкт-Петербург,
Промышленная ул, дом № 19, литера Н,
помещение 100-Н Офис 331